

CUSTOMER'S NAME

MOUSER ELECTRONICS

ALPHA REFERENCE NO.

SP18030057

SPECIFICATION

| PART NO. | ALPHA MODEL NAME |
|----------|----------------------|
| | RV24AF-10-20K-XXX-LA |
| | XXX for (B1K~500K) |
| | |
| | |
| | |

| |
|------------|
| MODEL NAME |
| MODEL NO. |

| |
|----------|
| APPROVAL |
|----------|

| PREPARED BY | REVIEWED BY | APPROVED BY |
|--|---|---|
|  鄧彩霞 2018.3.09 |  李延玲 2018.3.09 |  蔣祖衛 2018.3.12 |



台灣艾華電子工業股份有限公司

33045 桃園市桃園區中正路 1221 號 9 樓

TAIWAN ALPHA ELECTRONIC CO., LTD.

9F, No. 1221, Chung Cheng Rd., Taoyuan Dist., Taoyuan City, 330 Taiwan

Tel: 886-3-3577799 Fax: 886-3-3577700

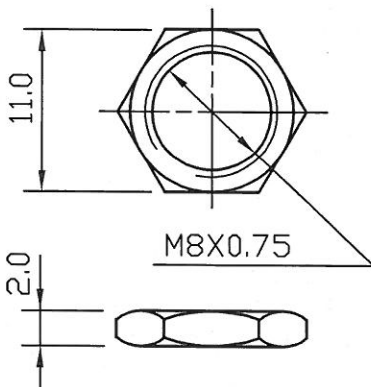
EMAIL: sales@taiwanalpha.com.tw

URL: http://www.taiwanalpha.com

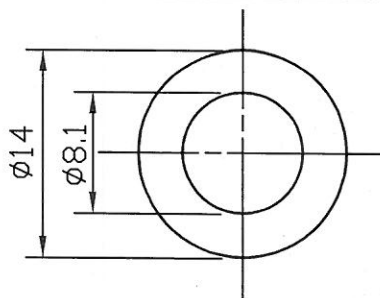


| | L | T | F | M |
|---|----|----|-----|-----|
| | 15 | 6 | 6.5 | 1.0 |
| ✓ | 20 | 10 | 11 | 2.0 |
| | | | | |

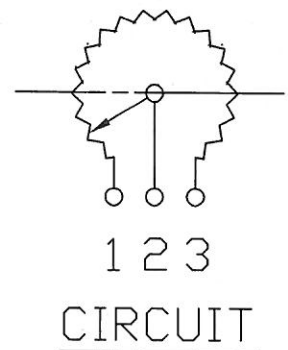
NUT 2 PCS



WASHER 2 PCS $t=0.4$



● 300° ROTATION
MONO UNIT



CIRCUIT

| | | | | -LA | | | |
|------------------------------|------|-------------|-------|-------------------------|------------|-------------|-------------|
| | | | | RV24AF-10-(L)K-XXX-0050 | | | |
| NO. | DATE | DESCRIPTION | | MODEL NAME | | | |
| TOL. UNLESS OTHERWISE STATED | | DIMENSION | SCALE | DRAWN BY | CHECKED BY | APPROVED BY | DRAWING NO. |
| less than 10 | | mm | 2:1 | | | | |
| above 10 ~ 30 | | | | | | | |
| above 30 ~ 100 | | | | | | | |
| above 100 | | | | | | | |
| | | | | | | | |

| | | |
|-------------------------|------|------|
| ACUSTOMER' S NAME | NOTE | DATE |
| CUSTOMER' S PART NAME | | |
| CUSTOMER' S DRAWING NO. | | |

1. MECHANICAL SPECIFICATION

| | | | |
|-----------------------------------|------------------------------------|--|----------------------------|
| 1. OUTSIDE DIMENSION | append fig. | 300 | ±5° |
| 2. TOTAL ROTATION ANGLE | degree | less than 9 | kgf.cm |
| 3. TOTAL TRAVEL STROKE | mm | 20~200 | gf.cm |
| 4. NUT WIRING STRENGTH | twisting moment | more than | kgf.cm |
| 5. SCREW TIGHTENING FORCE | torsional moment | speed 60 deg/sec. | speed 20mm/sec |
| 6. ROTATION TORQUE | speed 60 deg/sec. | pulling pushing | within mm (bending moment) |
| 7. SLIDING FORCE | speed 20mm/sec | more than | kgf.cm |
| 8. SHAFT LEVER STRENGTH | pulling pushing | more than | 60 sec |
| 9. SHAFT LEVER WOBBLE | within mm (bending moment) | more than | 500 gf.cm / 10 ± 1 sec |
| 10. SHAFT LEVER STOP STRENGTH | more than 6 kgf.cm (static load) / | soldering heat 350±5°C/3sec. 200gf.cm/10 ±1sec | resist change within ± 2% |
| 11. TERMINAL STRENGTH | more than 500 gf.cm / 10 ± 1 sec | | |
| 12. CLICK POSITION & TORQUE | gf.cm | | |
| 13. SWITCH WORKING ANGLE (STROKE) | degree (mm) | | |
| 14. SWITCH WORKING TORQUE (FORCE) | gf.cm | | |
| 15. SWITCH CIRCUIT | | | |

2. ELECTRICAL SPECIFICATION

| | | | | | |
|---|-------------------|-----------|-------|-----|--------|
| 1. OVERALL RESISTANCE & TOLERANCE | terminal 1-3 | 1K~500K | Ω± | 20 | % |
| 2. TAP RESISTANCE & TOLERANCE | terminal 1-4 | | Ω± | | % |
| 3. RATED WATTAGE | temp 0~50°C | | 0.5 | 500 | W |
| 4. MAXIMUM WORKING VOLTAGE | | | | | V |
| 5. RESISTANCE TAPER MEASURING POINT & TOLERANCE | | 40 | ~ | 60 | % |
| 6. RESIDUAL RESISTANCE | terminal 1/3 side | less than | 20/30 | | Ω |
| 7. TAP RESIDUAL RESISTANCE | terminal 4 side | less than | 100 | | Ω |
| 8. SLIDE NOISE | speed 60° / 1 sec | less than | 47 | | mV |
| 9. INSULATION RESISTANCE | more than 100 | MΩ(DC) | 500 | | V |
| 10. WITHSTAND VOLTAGE | AC 500 | V | 1 | | minute |
| 11. TRACKING ERROR | | | | | |
| 12. SWITCH CONTACT RESISTANCE | MΩ | less than | | | mΩ |
| 13. SWITCH RATING | | | | | |

3. USABLE TEMPERATURE RANGE: from -10°C to 70°C

4. VR LIFE 15,000 ± TIMES

RESISTANCE CHANGE: within ± %

SLIDE NOISE : less than mV

SW LIFE ± TIMES

CONTACT RESISTANCE: less than mΩ

SHAFT

| MATERIAL | ANGLE OF FLAT OR SLOT | DIMENSION | | |
|----------|-----------------------|-----------|----|---|
| | | M | L | F |
| | at | | 20 | |
| | | | | |

| | | |
|---------------------------|-------------|-----|
| MODEL NAME | DRAWING NO. | REV |
| RV24AF-10-20K-B1K~500K-LA | | |

STANDARD RESISTANCE TAPER



| | | | |
|-----------------------------|----------|--------------------|--------------------|
| | | | |
| | | | |
| | | | |
| | | | |
| NO. | DATE | DESCRIPTION | MODEL NAME |
| TOL UNLESS OTHERWISE STATED | | DIMENSION | SCALE |
| less than | 10 | ±0.3 | |
| above | 10 ~ 30 | ±0.5 | |
| above | 30 ~ 100 | ±1.0 | |
| above | | ±5° | |
| | | mm | |
| | | DRAWN BY | CHECKED BY |
| | | 何 90.8.21 建志 | 王 90.8.21 茂松 |
| | | APPROVED BY | DRAWING NO. |
| | | 王 90.8.21 茂松 | |

Common Specification of Lead-Free Soldering and Storage conditions for Potentiometers

以下焊錫條件以可變電阻置於單層 1.6mm 厚度之印刷電路板上測試為基準。

The specification below is based on testing results of 1.6mm thickness single layer printed circuit board.

1. 手工焊錫條件：

For Manual Soldering：

1-1 操作溫度最高 350°C，操作時間 3 秒以內。

To be performed within 3 seconds at 350°C or below.

2. 自動或半自動機台焊錫條件：

For Automated or Semi-Automated Soldering Equipments:

2-1 使用發泡式且比重 0.82 以上的助焊劑，發泡高度以印刷電路板厚度一半為標準，且助劑不能流入可變電阻基板表面及印刷電路板表面。

Flux of 0.82 specific gravity, applied by foam fluxer, shall be used. Foam head shall be limited to the height which is half thickness of printed circuit board to be soldered. No flux should be allowed to run up onto resistive element board of potentiometer and the surface of printed circuit board.

2-2 預熱時間不超過兩分鐘，焊錫接面 (即印刷電路板底) 最高預熱溫度不超過 100°C。

Regarding preheating, the entire flow duration should not exceed 2 minutes, and soldering surface temperature (undersurface of PCB) shall be settled within 100°C.

2-3 焊錫過程機台設定溫度在 260°C 以下、4 秒以內。

Solder Dipping is to be performed within 4 seconds at 260°C or below.

3. 若回轉型電位器是塑膠軸且帶有檔位，請將主軸先調整至其中一個檔位或中心檔位上才可以進行焊錫作業。

For rotary potentiometer with plastic shaft which have centre detent or multiple detents, the shaft should be settled in relevant detent position prior to soldering process.

4. 手工焊錫、自動或半自動機台焊錫不得超過一回。

Regardless of soldering facility and method, solder dipping or solder smearing must not be carried out more than 1 time.

註：本項焊錫溫度條件不適用於回流焊接作業設備。

Remarks: This specification is not recommended for and applicable in reflow soldering.

焊錫注意事項：

Caution for soldering:

如圖所示，請避免 PCB 上層表面有焊錫

Please avoid soldering on upper surface of P.C.B. as shown.



5. 保管條件(Storage conditions):

產品需儲存在原始的包裝,以及保持常溫

常濕、避免陽光直射、遠離任何腐蝕性氣體。

產品需盡快完全地使用完,建議最慢不要超過

交貨後 6 個月。產品經拆封後,全部的數量都需迅速地使用完。

The products shall be stored in the original packaging and kept at room temperature and humidity, out of direct sunlight, and away from any and all corrosive gas. The products shall be completely used as soon as possible, but no longer than 6 months from the date of delivery. Once product packaging is opened, the complete quantity of such products shall be promptly used.

Компания «Life Electronics» занимается поставками электронных компонентов импортного и отечественного производства от производителей и со складов крупных дистрибьюторов Европы, Америки и Азии.

С конца 2013 года компания активно расширяет линейку поставок компонентов по направлению коаксиальный кабель, кварцевые генераторы и конденсаторы (керамические, пленочные, электролитические), за счёт заключения дистрибьюторских договоров

Мы предлагаем:

- Конкурентоспособные цены и скидки постоянным клиентам.
- Специальные условия для постоянных клиентов.
- Подбор аналогов.
- Поставку компонентов в любых объемах, удовлетворяющих вашим потребностям.
- Приемлемые сроки поставки, возможна ускоренная поставка.
- Доставку товара в любую точку России и стран СНГ.
- Комплексную поставку.
- Работу по проектам и поставку образцов.
- Формирование склада под заказчика.
- Сертификаты соответствия на поставляемую продукцию (по желанию клиента).
- Тестирование поставляемой продукции.
- Поставку компонентов, требующих военную и космическую приемку.
- Входной контроль качества.
- Наличие сертификата ISO.

В составе нашей компании организован Конструкторский отдел, призванный помогать разработчикам, и инженерам.

Конструкторский отдел помогает осуществить:

- Регистрацию проекта у производителя компонентов.
- Техническую поддержку проекта.
- Защиту от снятия компонента с производства.
- Оценку стоимости проекта по компонентам.
- Изготовление тестовой платы монтаж и пусконаладочные работы.



Тел: +7 (812) 336 43 04 (многоканальный)
Email: org@lifeelectronics.ru