



CMOS Static RAM 64K (8K x 8-Bit)

IDT7164S
IDT7164L

Features

- ◆ **High-speed address/chip select access time**
 - Military: 20/25/35/45/55/70/85/100ns (max.)
 - Industrial: 20/25ns (max.)
 - Commercial: 20/25ns (max.)
- ◆ **Low power consumption**
- ◆ **Battery backup operation – 2V data retention voltage (L Version only)**
- ◆ **Produced with advanced CMOS high-performance technology**
- ◆ **Inputs and outputs directly TTL-compatible**
- ◆ **Three-state outputs**
- ◆ **Available in 28-pin DIP, CERDIP and SOJ**
- ◆ **Military product compliant to MIL-STD-883, Class B**
- ◆ **Green parts available, see ordering information**

Description

The IDT7164 is a 65,536 bit high-speed static RAM organized as 8K x 8. It is fabricated using high-performance, high-reliability CMOS technology.

Address access times as fast as 20ns are available and the circuit offers a reduced power standby mode. When CS₁ goes HIGH or CS₂ goes LOW, the circuit will automatically go to, and remain in, a low-power standby mode. The low-power (L) version also offers a battery backup data retention capability at power supply levels as low as 2V.

All inputs and outputs of the IDT7164 are TTL-compatible and operation is from a single 5V supply, simplifying system designs. Fully static asynchronous circuitry is used, requiring no clocks or refreshing for operation.

The IDT7164 is packaged in a 28-pin 300 mil CERDIP, a 28-pin 600 mil CERDIP, 300mil Plastic DIP and 300mil SOJ

Military grade product is manufactured in compliance with MIL-STD-883, Class B, making it ideally suited to military temperature applications demanding the highest level of performance and reliability.

Functional Block Diagram



DECEMBER 2016

Pin Configurations



**DIP/SOJ
Top View**

2967 drw 02

Absolute Maximum Ratings⁽¹⁾

| Symbol | Rating | Com'l. | Mil. | Unit |
|----------------------------------|--------------------------------------|--------------|--------------|------|
| V _{TERM} ⁽²⁾ | Terminal Voltage with Respect to GND | -0.5 to +7.0 | -0.5 to +7.0 | V |
| T _A | Operating Temperature | 0 to +70 | -55 to +125 | °C |
| T _{BIAS} | Temperature Under Bias | -55 to +125 | -65 to +135 | °C |
| T _{STG} | Storage Temperature | -55 to +125 | -65 to +150 | °C |
| P _T | Power Dissipation | 1.0 | 1.0 | W |
| I _{OUT} | DC Output Current | 50 | 50 | mA |

2967 tbl 02

NOTES:

- Stresses greater than those listed under ABSOLUTE MAXIMUM RATINGS may cause permanent damage to the device. This is a stress rating only and functional operation of the device at these or any other conditions above those indicated in the operational sections of this specification is not implied. Exposure to absolute maximum rating conditions for extended periods may affect reliability.
- V_{TERM} must not exceed V_{CC} + 0.5V.

Pin Descriptions

| Name | Description |
|-------------------------------------|-------------------|
| A ₀ - A ₁₂ | Address |
| I/O ₀ - I/O ₇ | Data Input/Output |
| \overline{CS}_1 | Chip Select |
| CS ₂ | Chip Select |
| \overline{WE} | Write Enable |
| \overline{OE} | Output Enable |
| GND | Ground |
| V _{CC} | Power |

2967 tbl 01

Truth Table^(1,2,3)

| \overline{WE} | \overline{CS}_1 | CS ₂ | \overline{OE} | I/O | Function |
|-----------------|-------------------|------------------------------------|-----------------|---------------------|--|
| X | H | X | X | High-Z | Deselected - Standby (I _{SB}) |
| X | X | L | X | High-Z | Deselected - Standby (I _{SB}) |
| X | V _{HC} | V _{HC} or V _{LC} | X | High-Z | Deselected - Standby (I _{SB1}) |
| X | X | V _{LC} | X | High-Z | Deselected - Standby (I _{SB1}) |
| H | L | H | H | High-Z | Output Disabled |
| H | L | H | L | DATA _{OUT} | Read Data |
| L | L | H | X | DATA _{IN} | Write Data |

2967 tbl 03

NOTES:

- CS₂ will power-down \overline{CS}_1 , but \overline{CS}_1 will not power-down CS₂.
- H = V_{IH}, L = V_{IL}, X = don't care.
- V_{LC} = 0.2V, V_{HC} = V_{CC} - 0.2V

Recommended DC Operating Conditions

| Symbol | Parameter | Min. | Typ. | Max. | Unit |
|-----------------|--------------------|---------------------|------|-----------------------|------|
| V _{CC} | Supply Voltage | 4.5 | 5.0 | 5.5 | V |
| GND | Ground | 0 | 0 | 0 | V |
| V _{IH} | Input HIGH Voltage | 2.2 | — | V _{CC} + 0.5 | V |
| V _{IL} | Input LOW Voltage | -0.5 ⁽¹⁾ | — | 0.8 | V |

2967 tbl 05

NOTE:

- V_{IL} (min.) = -1.5V for pulse width less than 10ns, once per cycle.

Recommended Operating Temperature and Supply Voltage

| Grade | Temperature | GND | V _{CC} |
|------------|-----------------|-----|-----------------|
| Military | -55°C to +125°C | 0V | 5V ± 10% |
| Industrial | -40°C to +85°C | 0V | 5V ± 10% |
| Commercial | 0°C to +70°C | 0V | 5V ± 10% |

2967 tbl 04

Capacitance (TA = +25°C, f = 1.0MHz)

| Symbol | Parameter ⁽¹⁾ | Conditions | Max. | Unit |
|-----------------|--------------------------|-----------------------|------|------|
| C _{IN} | Input Capacitance | V _{IN} = 0V | 8 | pF |
| C _{VO} | I/O Capacitance | V _{OUT} = 0V | 8 | pF |

2967 tbl 06

NOTE:

1. This parameter is determined by device characterization, but is not production tested.

DC Electrical Characteristics⁽¹⁾ (V_{CC} = 5.0V ± 10%, V_{LC} = 0.2V, V_{HC} = V_{CC} - 0.2V)

| Symbol | Parameter | Power | 7164S20 7164L20 | | | 7164S25 7164L25 | | | Unit |
|--------|---|-------|--------------------|------|------|--------------------|------|------|------|
| | | | Com'l. | Ind. | Mil. | Com'l. | Ind. | Mil. | |
| ICC1 | Operating Power Supply Current CS ₁ = V _{IL} , CS ₂ = V _{IH} , Outputs Open V _{CC} = Max., f = 0 ⁽²⁾ | S | 100 | 110 | 110 | 90 | 110 | 110 | mA |
| | | L | 90 | 100 | 100 | 90 | 100 | 100 | |
| ICC2 | Dynamic Operating Current CS ₁ = V _{IL} , CS ₂ = V _{IH} , Outputs Open V _{CC} = Max., f = f _{MAX} ⁽²⁾ | S | 170 | 170 | 180 | 170 | 170 | 180 | mA |
| | | L | 150 | 150 | 160 | 150 | 150 | 160 | |
| ISB | Standby Power Supply Current (TTL Level), CS ₁ ≥ V _{IH} , CS ₂ ≤ V _{IL} , Outputs Open, V _{CC} = Max., f = f _{MAX} ⁽²⁾ | S | 20 | 20 | 20 | 20 | 20 | 20 | mA |
| | | L | 3 | 3 | 5 | 3 | 3 | 5 | |
| ISB1 | Full Standby Power Supply Current (CMOS Level), f = 0 ⁽²⁾ , V _{CC} = Max. 1. CS ₁ ≥ V _{HC} and CS ₂ ≥ V _{HC} , or 2. CS ₂ ≤ V _{LC} | S | 15 | 15 | 20 | 15 | 15 | 20 | mA |
| | | L | 0.2 | 0.2 | 1 | 0.2 | 0.2 | 1 | |

2967 tbl 07

| Symbol | Parameter | Power | 7164S35 7164L35 | 7164S45 7164L45 | 7164S55 7164L55 | 7164S70 7164L70 | 7164S85/100 7164L85/100 | Unit |
|--------|---|-------|--------------------|--------------------|--------------------|--------------------|----------------------------|------|
| | | | Mil. | Mil. | Mil. | Mil. | Mil. | |
| ICC1 | Operating Power Supply Current CS ₁ = V _{IL} , CS ₂ = V _{IH} , Outputs Open V _{CC} = Max., f = 0 ⁽²⁾ | S | 100 | 100 | 100 | 100 | 100 | mA |
| | | L | 90 | 90 | 90 | 90 | 90 | |
| ICC2 | Dynamic Operating Current CS ₁ = V _{IL} , CS ₂ = V _{IH} , Outputs Open V _{CC} = Max., f = f _{MAX} ⁽²⁾ | S | 160 | 160 | 160 | 160 | 160 | mA |
| | | L | 140 | 130 | 125 | 120 | 120 | |
| ISB | Standby Power Supply Current (TTL Level), CS ₁ ≥ V _{IH} , CS ₂ ≤ V _{IL} , Outputs Open, V _{CC} = Max., f = f _{MAX} ⁽²⁾ | S | 20 | 20 | 20 | 20 | 20 | mA |
| | | L | 5 | 5 | 5 | 5 | 5 | |
| ISB1 | Full Standby Power Supply Current (CMOS Level), f = 0 ⁽²⁾ , V _{CC} = Max. 1. CS ₁ ≥ V _{HC} and CS ₂ ≥ V _{HC} , or 2. CS ₂ ≤ V _{LC} | S | 20 | 20 | 20 | 20 | 20 | mA |
| | | L | 1 | 1 | 1 | 1 | 1 | |

2967 tbl 08

NOTES:

1. All values are maximum guaranteed values.
2. f_{MAX} = 1/TRC (all address inputs are cycling at f_{MAX}); f = 0 means no address input lines are changing.

DC Electrical Characteristics (V_{CC} = 5.0V ± 10%)

| Symbol | Parameter | Test Conditions | IDT7164S | | IDT7164L | | Unit | |
|-----------------|------------------------|---|----------------------|--------|----------|--------|--------|----|
| | | | Min. | Max. | Min. | Max. | | |
| I _{LI} | Input Leakage Current | V _{CC} = Max., V _{IN} = GND to V _{CC} | MIL. COM'L. & IND | — 5 | 10 5 | — 2 | 5 2 | μA |
| I _{LO} | Output Leakage Current | V _{CC} = Max., $\overline{CS}_1 = V_{IH}$, V _{OUT} = GND to V _{CC} | MIL. COM'L. & IND | — 5 | 10 5 | — 2 | 5 2 | μA |
| V _{OL} | Output Low Voltage | I _{OL} = 8mA, V _{CC} = Min. | — | 0.4 | — | 0.4 | V | |
| | | I _{OL} = 10mA, V _{CC} = Min. | — | 0.5 | — | 0.5 | V | |
| V _{OH} | Output High Voltage | I _{OH} = -4mA, V _{CC} = Min. | 2.4 | — | 2.4 | — | V | |

2967 tbl 09

Data Retention Characteristics Over All Temperature Ranges (L Version Only) (V_{Lc} = 0.2V, V_{Hc} = V_{CC} - 0.2V)

| Symbol | Parameter | Test Condition | Min. | Typ. ⁽¹⁾ V _{CC} @ | | Max. V _{CC} @ | | Unit |
|----------------------------------|--------------------------------------|--|--------------------------------|--|----------|---------------------------|-----------|------|
| | | | | 2.0V | 3.0V | 2.0V | 3.0V | |
| V _{DR} | V _{CC} for Data Retention | — | 2.0 | — | — | — | — | V |
| I _{CCDR} | Data Retention Current | MIL. COM'L. & IND | — — | 10 10 | 15 15 | 200 60 | 300 90 | μA |
| t _{CDR} ⁽³⁾ | Chip Deselect to Data Retention Time | 1. $\overline{CS}_1 \geq V_{Hc}$ CS ₂ ≥ V _{Hc} , or 2. CS ₂ ≤ V _{Lc} | 0 | — | — | — | — | ns |
| t _R ⁽³⁾ | Operation Recovery Time | | t _{RC} ⁽²⁾ | — | — | — | — | ns |
| I _{LI} ⁽³⁾ | Input Leakage Current | | — | — | — | 2 | 2 | μA |

2967 tbl 10

NOTES:

- TA = +25°C.
- t_{RC} = Read Cycle Time.
- This parameter is guaranteed by device characterization, but is not production tested.

AC Test Conditions

| | |
|-------------------------------|---------------------|
| Input Pulse Levels | GND to 3.0V |
| Input Rise/Fall Times | 5ns |
| Input Timing Reference Levels | 1.5V |
| Output Reference Levels | 1.5V |
| AC Test Load | See Figures 1 and 2 |

2967 tbl 11



Figure 1. AC Test Load



Figure 2. AC Test Load

(for t_{CLZ1}, t_{CLZ2}, t_{OLZ}, t_{CHZ1}, t_{CHZ2}, t_{OHZ}, t_{OW}, and t_{WHZ})

*Includes scope and jig capacitances

AC Electrical Characteristics (Vcc = 5.0V ± 10%, All Temperature Ranges)

| Symbol | Parameter | 7164S20 7164L20 | | 7164S25 7164L25 | | Unit |
|------------------------------------|--|--------------------|------|--------------------|------|------|
| | | Min. | Max. | Min. | Max. | |
| Read Cycle | | | | | | |
| t _{RC} | Read Cycle Time | 20 | — | 25 | — | ns |
| t _{AA} | Address Access Time | — | 19 | — | 25 | ns |
| t _{ACS1} ⁽¹⁾ | Chip Select-1 Access Time | — | 20 | — | 25 | ns |
| t _{ACS2} ⁽¹⁾ | Chip Select-2 Access Time | — | 25 | — | 30 | ns |
| t _{CLZ1,2} ⁽²⁾ | Chip Select-1, 2 to Output in Low-Z | 5 | — | 5 | — | ns |
| t _{OE} | Output Enable to Output Valid | — | 8 | — | 12 | ns |
| t _{OLZ} ⁽²⁾ | Output Enable to Output in Low-Z | 0 | — | 0 | — | ns |
| t _{CHZ1,2} ⁽²⁾ | Chip Select-1,2 to Output in High-Z | — | 9 | — | 13 | ns |
| t _{OHZ} ⁽²⁾ | Output Disable to Output in High-Z | — | 8 | — | 10 | ns |
| t _{OH} | Output Hold from Address Change | 5 | — | 5 | — | ns |
| t _{PU} ⁽²⁾ | Chip Select to Power Up Time | 0 | — | 0 | — | ns |
| t _{PD} ⁽²⁾ | Chip Deselect to Power Down Time | — | 20 | — | 25 | ns |
| Write Cycle | | | | | | |
| t _{WC} | Write Cycle Time | 20 | — | 25 | — | ns |
| t _{CW1,2} | Chip Select to End-of-Write | 15 | — | 18 | — | ns |
| t _{AW} | Address Valid to End-of-Write | 15 | — | 18 | — | ns |
| t _{AS} | Address Set-up Time | 0 | — | 0 | — | ns |
| t _{WP} | Write Pulse Width | 15 | — | 21 | — | ns |
| t _{WR1} | Write Recovery Time ($\overline{CS}_1, \overline{WE}$) | 0 | — | 0 | — | ns |
| t _{WR2} | Write Recovery Time (CS ₂) | 5 | — | 5 | — | ns |
| t _{WHZ} ⁽²⁾ | Write Enable to Output in High-Z | — | 8 | — | 10 | ns |
| t _{DW} | Data to Write Time Overlap | 10 | — | 13 | — | ns |
| t _{DH1} | Data Hold from Write Time ($\overline{CS}_1, \overline{WE}$) | 0 | — | 0 | — | ns |
| t _{DH2} | Data Hold from Write Time (CS ₂) | 5 | — | 5 | — | ns |
| t _{OW} ⁽²⁾ | Output Active from End-of-Write | 4 | — | 4 | — | ns |

2967 tbl 12

NOTES:

- Both chip selects must be active for the device to be selected.
- This parameter is guaranteed by device characterization, but is not production tested.

AC Electrical Characteristics (con't.) (Vcc = 5.0V ± 10%, Military Temperature Ranges)

| Symbol | Parameter | 7164S35 7164L35 | | 7164S45 7164L45 | | 7164S55 7164L55 | | 7164S70 7164L70 | | 7164S85/100 7164L85/100 | | Unit |
|------------------------------------|--|--------------------|------|--------------------|------|--------------------|------|--------------------|------|----------------------------|--------|------|
| | | Max. | Min. | Min. | Max. | Min. | Max. | Min. | Max. | Min. | Max. | |
| Read Cycle | | | | | | | | | | | | |
| t _{RC} | Read Cycle Time | 35 | — | 45 | — | 55 | — | 70 | — | 85/100 | — | ns |
| t _{AA} | Address Access Time | — | 35 | — | 45 | — | 55 | — | 70 | — | 85/100 | ns |
| t _{ACS1} ⁽¹⁾ | Chip Select-1 Access Time | — | 35 | — | 45 | — | 55 | — | 70 | — | 85/100 | ns |
| t _{ACS2} ⁽¹⁾ | Chip Select-2 Access Time | — | 40 | — | 45 | — | 55 | — | 70 | — | 85/100 | ns |
| t _{CLZ1,2} ⁽²⁾ | Chip Select-1, 2 to Output in Low-Z | 5 | — | 5 | — | 5 | — | 5 | — | 5 | — | ns |
| t _{OE} | Output Enable to Output Valid | — | 18 | — | 25 | — | 30 | — | 35 | — | 40 | ns |
| t _{OLZ} ⁽²⁾ | Output Enable to Output in Low-Z | 0 | — | 0 | — | 0 | — | 0 | — | 0 | — | ns |
| t _{CHZ1,2} ⁽²⁾ | Chip Select-1,2 to Output in High-Z | — | 15 | — | 20 | — | 25 | — | 30 | — | 35 | ns |
| t _{OHZ} ⁽²⁾ | Output Disable to Output in High-Z | — | 15 | — | 20 | — | 25 | — | 30 | — | 35 | ns |
| t _{OH} | Output Hold from Address Change | 5 | — | 5 | — | 5 | — | 5 | — | 5 | — | ns |
| t _{PU} ⁽²⁾ | Chip Select to Power Up Time | 0 | — | 0 | — | 0 | — | 0 | — | 0 | — | ns |
| t _{PD} ⁽²⁾ | Chip Deselect to Power Down Time | — | 35 | — | 45 | — | 55 | — | 70 | — | 85/100 | ns |
| Write Cycle | | | | | | | | | | | | |
| t _{WC} | Write Cycle Time | 35 | — | 45 | — | 55 | — | 70 | — | 85/100 | — | ns |
| t _{CW1,2} | Chip Select to End-of-Write | 25 | — | 33 | — | 50 | — | 60 | — | 75 | — | ns |
| t _{AW} | Address Valid to End-of-Write | 25 | — | 33 | — | 50 | — | 60 | — | 75 | — | ns |
| t _{AS} | Address Set-up Time | 0 | — | 0 | — | 0 | — | 0 | — | 0 | — | ns |
| t _{WP} | Write Pulse Width | 25 | — | 25 | — | 50 | — | 60 | — | 75 | — | ns |
| t _{WR1} | Write Recovery Time ($\overline{CS}_1, \overline{WE}$) | 0 | — | 0 | — | 0 | — | 0 | — | 0 | — | ns |
| t _{WR2} | Write Recovery Time (CS ₂) | 5 | — | 5 | — | 5 | — | 5 | — | 5 | — | ns |
| t _{WHZ} ⁽²⁾ | Write Enable to Output in High-Z | — | 14 | — | 18 | — | 25 | — | 30 | — | 35 | ns |
| t _{DW} | Data to Write Time Overlap | 15 | — | 20 | — | 25 | — | 30 | — | 35 | — | ns |
| t _{DH1} | Data Hold from Write Time ($\overline{CS}_1, \overline{WE}$) | 0 | — | 0 | — | 0 | — | 0 | — | 0 | — | ns |
| t _{DH2} | Data Hold from Write Time (CS ₂) | 5 | — | 5 | — | 5 | — | 5 | — | 5 | — | ns |
| t _{OW} ⁽²⁾ | Output Active from End-of-Write | 4 | — | 4 | — | 4 | — | 4 | — | 4 | — | ns |

2967 tbl 13

NOTES:

- Both chip selects must be active for the device to be selected.
- This parameter is guaranteed by device characterization, but is not production tested.

Timing Waveform of Read Cycle No. 1⁽¹⁾



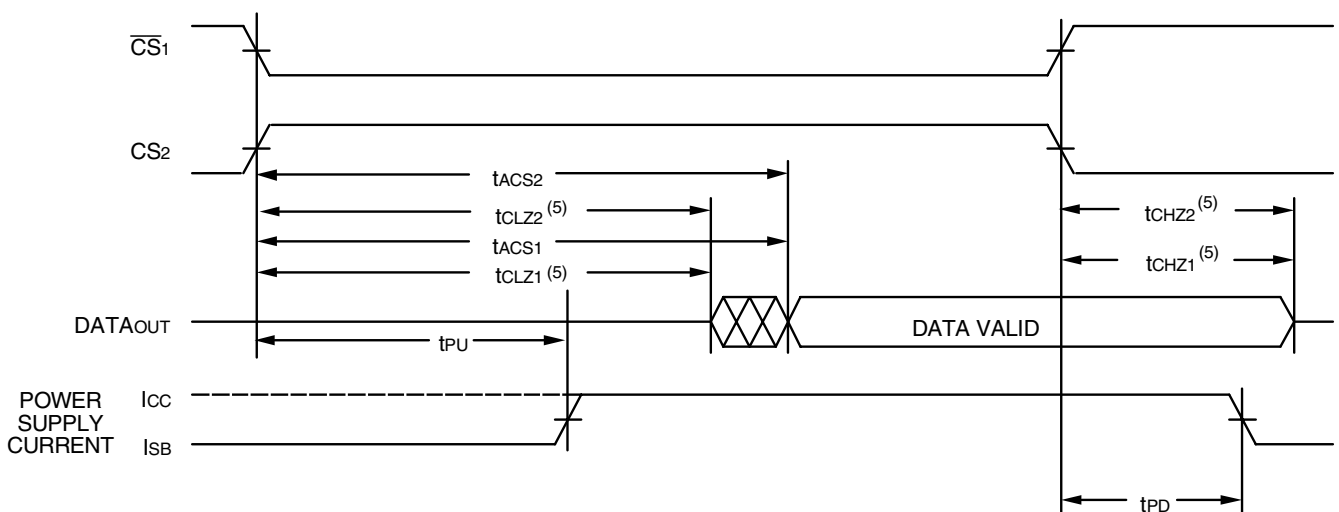
2967 drw 05

Timing Waveform of Read Cycle No. 2^(1,2,4)



2967 drw 06

Timing Waveform of Read Cycle No. 3^(1,3,4)

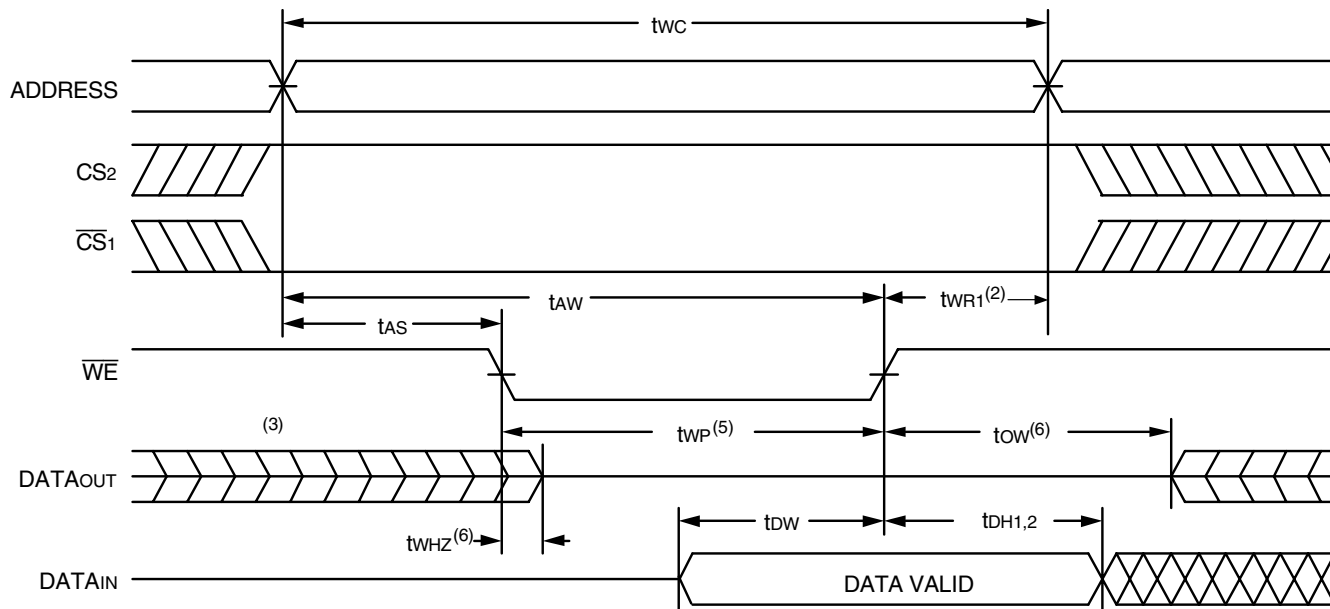


NOTES:

1. \overline{WE} is HIGH for Read cycle.
2. Device is continuously selected, $\overline{CS1}$ is LOW, $CS2$ is HIGH.
3. Address valid prior to or coincident with $\overline{CS1}$ transition LOW and $CS2$ transition HIGH.
4. \overline{OE} is LOW.
5. Transition is measured $\pm 200mV$ from steady state.

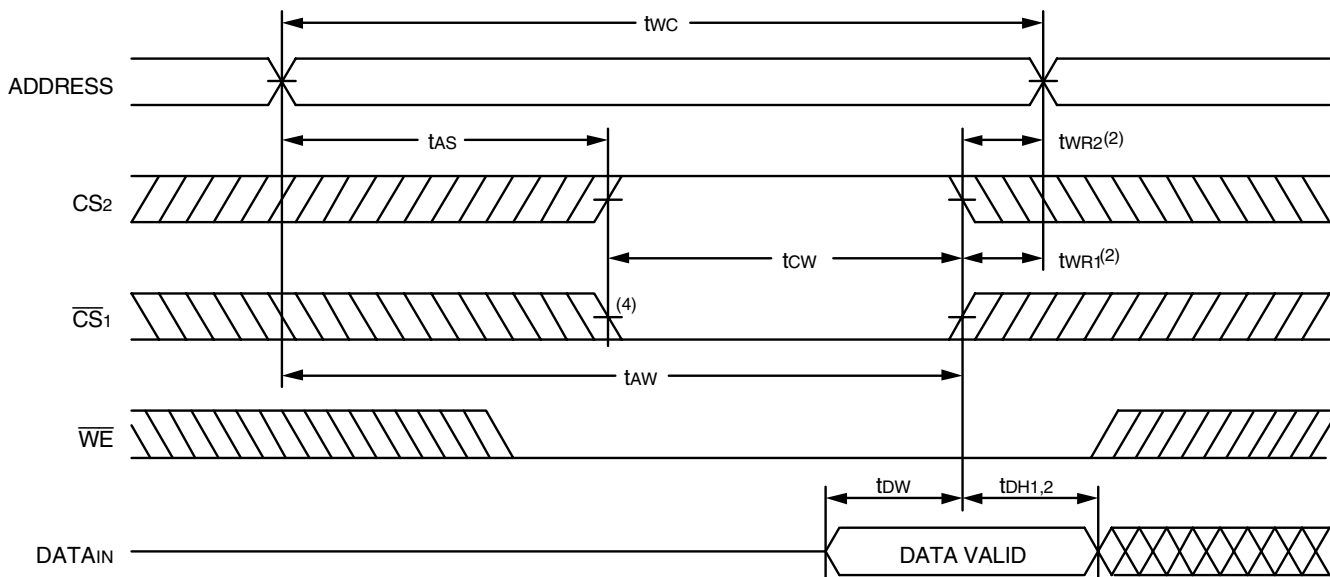
2967 drw 07

Timing Waveform of Write Cycle No. 1 (\overline{WE} Controlled Timing)^(1,5)



2967 drw 08

Timing Waveform of Write Cycle No. 2 (\overline{CS} Controlled Timing)⁽¹⁾



2967 drw 09

NOTES:

1. A write occurs during the overlap of a LOW \overline{WE} , a LOW \overline{CS}_1 and a HIGH CS₂.
2. $t_{WR1,2}$ is measured from the earlier of \overline{CS}_1 or \overline{WE} going HIGH or CS₂ going LOW to the end of the write cycle.
3. During this period, I/O pins are in the output state so that the input signals must not be applied.
4. If the \overline{CS}_1 LOW transition or CS₂ HIGH transition occurs simultaneously with or after the \overline{WE} LOW transition, the outputs remain in a high-impedance state.
5. \overline{OE} is continuously HIGH. If \overline{OE} is LOW during a \overline{WE} controlled write cycle, the write pulse width must be the larger of t_{WP} or $(t_{WHZ} + t_{DW})$ to allow the I/O drivers to turn off and data to be placed on the bus for the required t_{DW} . If \overline{OE} is HIGH during a \overline{WE} controlled write cycle, this requirement does not apply and the minimum write pulse width is as short as the specified t_{WP} .
6. Transition is measured $\pm 200mV$ from steady state.

Low Vcc Data Retention Waveform



2967 drw 10

Ordering Information

| 7164 | X | XX | XXX | X | X | X | |
|-------------|-------|-------|---------|---|----------------------------|---|---|
| Device Type | Power | Speed | Package | | Process/ Temperature Range | | |
| | | | | | | Blank 8 | Tube Tape and Reel |
| | | | | | | Blank I ⁽¹⁾ B | Commercial (0°C to +70°C) Industrial (-40°C to +85°C) Military (-55°C to +125°C) Compliant with MIL-STD-883, Class B |
| | | | | | | G ⁽²⁾ | Green |
| | | | | | | Y TP D TD | 300 mil SOJ (PJG28) 300 mil Plastic DIP (PTG28) 600 mil CERDIP (CD28) 300 mil CERDIP (SD28) |
| | | | | | | 20 25 35 45 55 70 85 100 | Commercial, Industrial & Military Commercial, Industrial & Military Military Only Military Only Military Only Military Only Military Only Military Only Military Only |
| | | | | | | S L | Standard Power Low Power |

} Speed in nanoseconds

2967 drw 11

NOTES:

1. Contact your local sales office for industrial temp range for other speeds, packages and powers.
2. Green parts available. For specific speeds, packages and powers contact your local sales office.

Datasheet Document History

| | | |
|----------|--------------------|---|
| 01/13/00 | | Updated to new format |
| | Pp. 1, 2, 3, 5, 10 | Added Industrial Temperature range offerings |
| | Pp. 1, 3, 9 | Removed commercial 70ns speed grade offering |
| | Pp. 1, 3, 6, 10 | Added 100ns speed grade specification details |
| | Pg. 3 | Revised notes and footnotes in DC Electrical tables |
| | Pp. 5, 6 | Revised notes and footnotes in AC Electrical tables |
| | Pg. 8 | Removed Note 1 from Write Cycle No. 1 and No. 2 diagrams; renumbered notes and footnotes |
| | Pp. 9, 10 | Separated Ordering Information into commercial, industrial, and military offerings |
| | Pg. 11 | Added Datasheet Document History |
| 08/09/00 | | Not recommended for new designs |
| 02/01/01 | | Removed "Not recommended for new designs" |
| 12/07/01 | Pg. 10 | Add PJ28 to Industrial temperature. |
| 09/30/04 | Pg. 9,10 | Added "restricted hazardous substance device" to ordering information. |
| 11/16/06 | Pg.3 | Added industrial temp power limits for 20ns part. Changed power limits for 25ns part for commercial and industrial. Changed power limits for commercial and industrial for 35ns part. |
| | Pg.10 | Added 20ns part to ordering information. Refer to PCN SR-0602-01 |
| 02/20/07 | Pg. 9, 10 | Added L generation die step to data sheet ordering information. |
| 04/27/11 | Pg. 1-3,5,6,9 | Obsoleted 24-pin 600 mil, 15ns for Commercial and 35ns for Industrial & Commercial. Added Tape and Reel to Ordering information and updated description of Restricted hazardous substance device to Green. |
| 10/30/13 | Pg. 1 | In the Description: Removed reference to IDT's fabrication and removed "the latest revision of". |
| 12/06/16 | Pg. 2 | Removed half moon from the pin configuration diagram for all packages to reflect pin 1 orientation and added dot at pin 1 |
| | | Updated the package codes in the DIP/SOJ pin configuration |
| | Pg. 9 | Updated the package codes in the Ordering Information |
| | | Updated the BLANK designator from "Tube and Tray" to "Tube" in Ordering Information |
| | Pg. 1 & 9 | Added standard footnotes to Ordering Information with instructions for ordering Industrial temp and Green parts |



CORPORATE HEADQUARTERS
 6024 Silver Creek Valley Road
 San Jose, CA 95138

for SALES:
 800-345-7015 or
 408-284-8200
 fax: 408-284-2775
 www.idt.com

for Tech Support:
 sramhelp@idt.com
 408-284-4532

Mouser Electronics

Authorized Distributor

Click to View Pricing, Inventory, Delivery & Lifecycle Information:

[IDT \(Integrated Device Technology\):](#)

[7164L25TDB](#) [7164S55DB](#) [7164L70TDB](#) [7164L25YGI](#) [7164L85DB](#) [7164L45TDB](#) [7164S20YG8](#) [7164S35TDB](#)
[7164S55TDB](#) [7164L45DB](#) [7164S100DB](#) [7164L70DB](#) [5962-3829414MZA](#) [5962-3829414MXA](#) [5962-3829406MZA](#)
[7164L55TDB](#) [7164S85TDB](#) [7164S45TDB](#) [5962-3829412MZA](#) [5962-3829412MXA](#) [7164S20TPGI](#) [5962-3829416MZA](#)
[5962-3829416MXA](#) [7164S70DB](#) [7164S25YGI](#) [7164S25TDB](#) [7164S25TPG](#) [5962-3829408MXA](#) [5962-3829408MZA](#)
[5962-3829410MXA](#) [5962-3829410MZA](#) [7164S35DB](#) [7164L25YG8](#) [5962-3829407MXA](#) [5962-3829407MZA](#)
[7164L20YGI](#) [5962-3829409MXA](#) [5962-3829409MZA](#) [5962-3829415MZA](#) [5962-3829415MXA](#) [7164L20TDB](#)
[7164S85DB](#) [7164S20YG](#) [7164L55DB](#) [7164S20DB](#) [7164L20YGI8](#) [5962-3829417MXA](#) [5962-3829417MZA](#)
[7164S25DB](#) [7164S25YG](#) [7164S25YGI8](#) [7164S20TPG](#) [7164S20TDB](#) [7164S20YGI](#) [5962-3829413MXA](#)
[7164L100DB](#) [5962-3829413MZA](#) [7164S25YG8](#) [7164L35TDB](#) [7164L20DB](#) [7164L20YG](#) [7164L20YG8](#) [7164L25DB](#)
[7164L25YG](#) [5962-3829406MXA](#) [7164L25YGI8](#) [7164S45DB](#) [5962-3829411MZA](#) [5962-3829411MXA](#) [7164L85TDB](#)
[5962-8552512XA](#) [7164S70TDB](#) [7164L35DB](#) [7164S20YGI8](#)

Компания «Life Electronics» занимается поставками электронных компонентов импортного и отечественного производства от производителей и со складов крупных дистрибьюторов Европы, Америки и Азии.

С конца 2013 года компания активно расширяет линейку поставок компонентов по направлению коаксиальный кабель, кварцевые генераторы и конденсаторы (керамические, пленочные, электролитические), за счёт заключения дистрибьюторских договоров

Мы предлагаем:

- Конкурентоспособные цены и скидки постоянным клиентам.
- Специальные условия для постоянных клиентов.
- Подбор аналогов.
- Поставку компонентов в любых объемах, удовлетворяющих вашим потребностям.
- Приемлемые сроки поставки, возможна ускоренная поставка.
- Доставку товара в любую точку России и стран СНГ.
- Комплексную поставку.
- Работу по проектам и поставку образцов.
- Формирование склада под заказчика.
- Сертификаты соответствия на поставляемую продукцию (по желанию клиента).
- Тестирование поставляемой продукции.
- Поставку компонентов, требующих военную и космическую приемку.
- Входной контроль качества.
- Наличие сертификата ISO.

В составе нашей компании организован Конструкторский отдел, призванный помогать разработчикам, и инженерам.

Конструкторский отдел помогает осуществить:

- Регистрацию проекта у производителя компонентов.
- Техническую поддержку проекта.
- Защиту от снятия компонента с производства.
- Оценку стоимости проекта по компонентам.
- Изготовление тестовой платы монтаж и пусконаладочные работы.



Тел: +7 (812) 336 43 04 (многоканальный)

Email: org@lifeelectronics.ru