

### Features

- GaN on Si HEMT D-Mode Amplifier
- Suitable for Linear & Saturated Applications
- Tunable from DC - 6 GHz
- 28 V Operation
- 9 dB Gain @ 5.8 GHz
- 45% Drain Efficiency @ 5.8 GHz
- 100% RF Tested
- Thermally-Enhanced 4 mm 24-Lead QFN
- RoHS\* Compliant



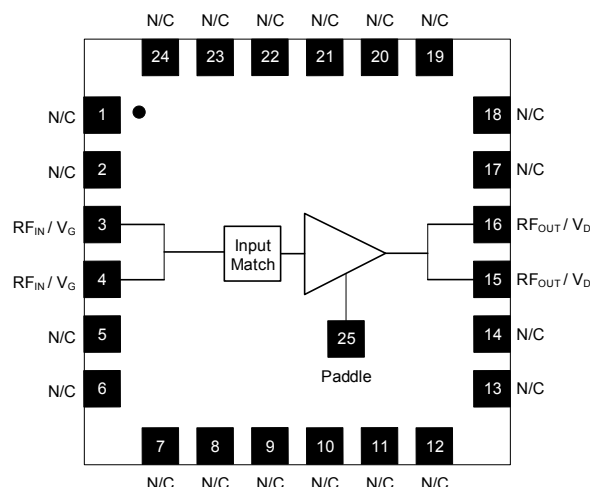
### Description

The MAGX-011086 is a GaN on silicon HEMT amplifier optimized for DC - 6 GHz operation in a user friendly package ideal for high bandwidth applications. The device has been designed for saturated and linear operation with output power levels of 4 W (36 dBm) in an industry standard, low inductance, surface mount QFN package. The pads of the package form a coplanar launch that naturally absorbs lead parasitics and features a small PCB outline for space constrained applications.

The MAGX-011086 is ideally suited for Wireless LAN, High Dynamic Range LNA's, broadband general purpose, land mobile radio, defense communications, wireless infrastructure, and ISM applications.

Built using the SIGANTIC® process - a proprietary GaN-on-Silicon technology.

### Functional Schematic



### Pin Configuration<sup>2</sup>

Pin #	Pin Name	Function
1 - 2	N/C	No Connection
3 - 4	RF <sub>IN</sub> / V <sub>G</sub>	RF Input / Gate
5 - 14	N/C	No Connection
15 - 16	RF <sub>OUT</sub> / V <sub>D</sub>	RF Output / Drain
17 - 24	N/C	No Connection
25	Paddle <sup>3</sup>	Ground / Source

### Ordering Information<sup>1</sup>

Part Number	Package
MAGX-011086	Bulk Quantity
MAGX-011086-TR0500	500 piece reel
MAGX-011086-SMB2	Sample Board

1. Reference Application Note M513 for reel size information.

2. All no connection pins may be left floating or grounded.  
3. The exposed pad centered on the package bottom must be connected to RF and DC ground and provide a low thermal resistance heat path.

\* Restrictions on Hazardous Substances, compliant to current RoHS EU directive.

## GaN on Silicon General Purpose Amplifier DC - 6 GHz, 28 V, 4 W

Rev. V3

### RF Electrical Specifications: $T_A = 25^\circ\text{C}$ , $V_{DS} = 28\text{ V}$ , $I_{DQ} = 50\text{ mA}$

Parameter	Test Conditions	Symbol	Min.	Typ.	Max.	Units
Small Signal Gain	CW, 5.8 GHz	$G_{SS}$	-	11	-	dB
Saturated Output Power	CW, 5.8 GHz	$P_{SAT}$	-	37	-	dBm
Drain Efficiency at Saturation	CW, 5.8 GHz	$h_{SAT}$	-	50	-	%
Power Gain	5.8 GHz, $P_{OUT} = 4\text{ W}$	$G_P$	8	9	-	dB
Drain Efficiency	5.8 GHz, $P_{OUT} = 4\text{ W}$	$h$	40	45	-	%
Ruggedness: Output Mismatch	All phase angles	Y	VSWR = 10:1, No Device Damage			

### DC Electrical Characteristics: $T_A = 25^\circ\text{C}$

Parameter	Test Conditions	Symbol	Min.	Typ.	Max.	Units
Drain-Source Leakage Current	$V_{GS} = -8\text{ V}$ , $V_{DS} = 100\text{ V}$	$I_{DLK}$	-	-	2	mA
Gate-Source Leakage Current	$V_{GS} = -8\text{ V}$ , $V_{DS} = 0\text{ V}$	$I_{GLK}$	-	-	1	mA
Gate Threshold Voltage	$V_{DS} = +28\text{ V}$ , $I_D = 2\text{ mA}$	$V_T$	-2.5	-1.5	-0.5	V
Gate Quiescent Voltage	$V_{DS} = +28\text{ V}$ , $I_D = 50\text{ mA}$	$V_{GSQ}$	-2.1	-1.2	-0.3	V
On Resistance	$V_{DS} = +2\text{ V}$ , $I_D = 15\text{ mA}$	$R_{ON}$	-	2.0	-	W
Saturated Drain Current	$V_{DS} = 7\text{ V}$ , Pulse Width 300 $\mu\text{s}$	$I_{D(SAT)}$	-	1.4	-	A

## Absolute Maximum Ratings<sup>4,5,6</sup>

Parameter	Absolute Max.
Drain-Source Voltage, $V_{DS}$	100 V
Gate-Source Voltage, $V_{GS}$	-10 V to 3 V
Gate Current, $I_G$	4 mA
Junction Temperature, $T_J$	+200°C
Operating Temperature	-40°C to +85°C
Storage Temperature	-65°C to +150°C

4. Exceeding any one or combination of these limits may cause permanent damage to this device.
5. MACOM does not recommend sustained operation near these survivability limits.
6. Operating at nominal conditions with  $T_J \leq 200^\circ\text{C}$  will ensure  $\text{MTTF} > 1 \times 10^6$  hours.

## Thermal Characteristics<sup>7,8</sup>

Parameter	Test Conditions	Symbol	Typ.	Units
Thermal Resistance	$V_{DS} = 28 \text{ V}, T_J = 200^\circ\text{C}$	$\Theta_{JC}$	12.5	°C/W

7. Junction temperature ( $T_J$ ) measured using IR Microscopy. Case temperature measured using thermocouple embedded in heat-sink.
8. The thermal resistance of the mounting configuration must be added to the device  $\Theta_{JC}$ , for proper  $T_J$  calculation during operation. The recommended via pattern, shown on page 6, on a 20 mil thick, 1 oz. plated copper, PCB contributes an additional 6.6°C/W to the typical value.

## Handling Procedures

Please observe the following precautions to avoid damage:

## Static Sensitivity

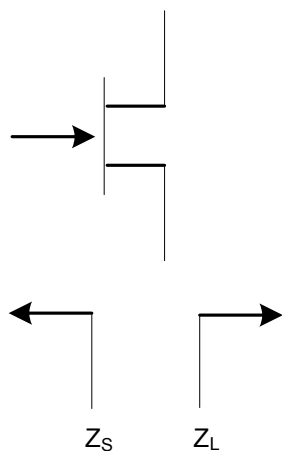
Gallium Nitride Integrated Circuits are sensitive to electrostatic discharge (ESD) and can be damaged by static electricity. Proper ESD control techniques should be used when handling these class 1A devices.

**Load-Pull Performance:  $V_{DS} = 28\text{ V}$ ,  $I_{DQ} = 50\text{ mA}$ ,  $T_A = 25^\circ\text{C}$**

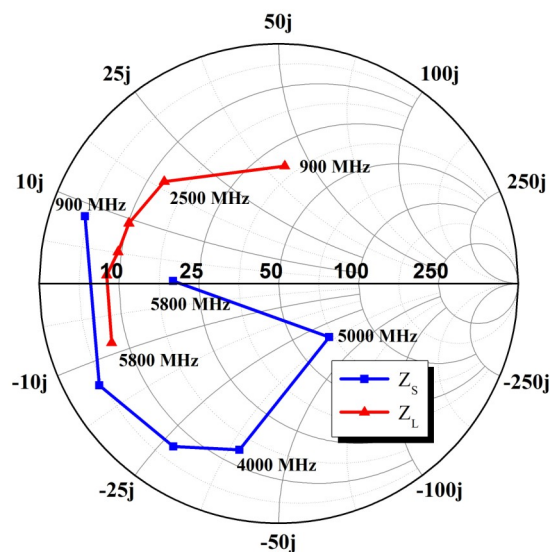
**Reference Plane at Device Leads, CW Drain Efficiency and Output Power Tradeoff Impedance**

Frequency (MHz)	$Z_S$ (W)	$Z_L$ (W)	$P_{SAT}$ (W)	$G_{SS}$ (dB)	Drain Efficiency @ $P_{SAT}$ (%)
900	$4.0 + j8.4$	$31.9 + j41.2$	5.8	24.6	65
2500	$4.0 - j13.1$	$12.5 + j18.0$	5.1	19.5	63
3500	$6.8 - j26.8$	$10.1 + j9.3$	5.0	57	
4000	$13.4 - j37.8$	$9.5 + j4.7$	5.0	15.3	56
5000	$67.4 - j33.2$	$8.2 + j1.2$	5.0	13.8	55
5800	$19.4 + j0.5$	$7.7 - j8.4$	5.0	12.0	55

**Impedance Reference**



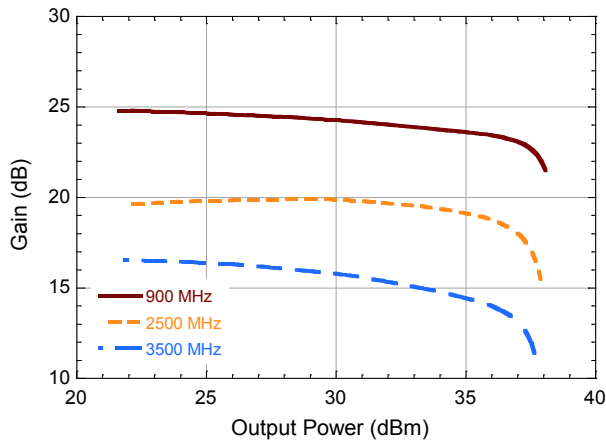
**$Z_S$  and  $Z_L$  vs. Frequency**



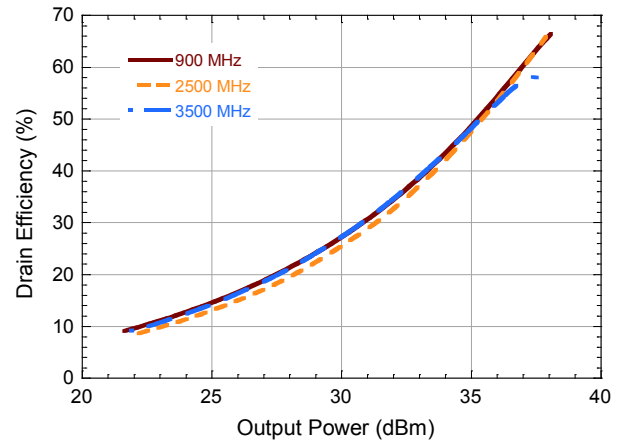
**Load-Pull Performance:  $V_{DS} = 28\text{ V}$ ,  $I_{DQ} = 50\text{ mA}$ ,  $T_A = 25^\circ\text{C}$**

**Reference Plane at Device Leads, CW Drain Efficiency and Output Power Tradeoff Impedance**

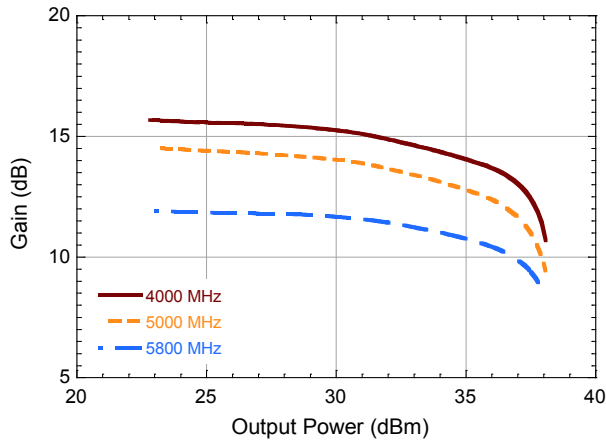
**Gain vs. Output Power**



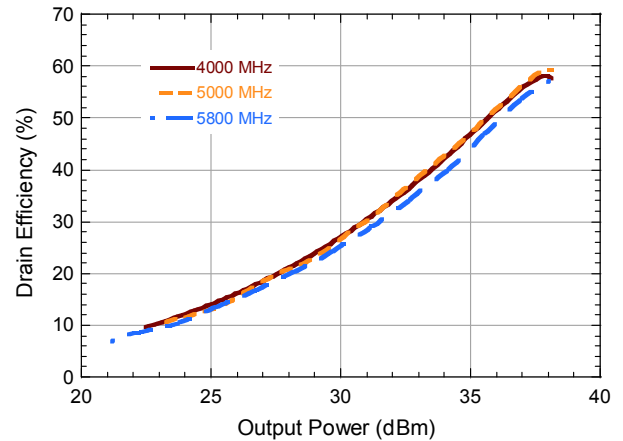
**Drain Efficiency vs. Output Power**



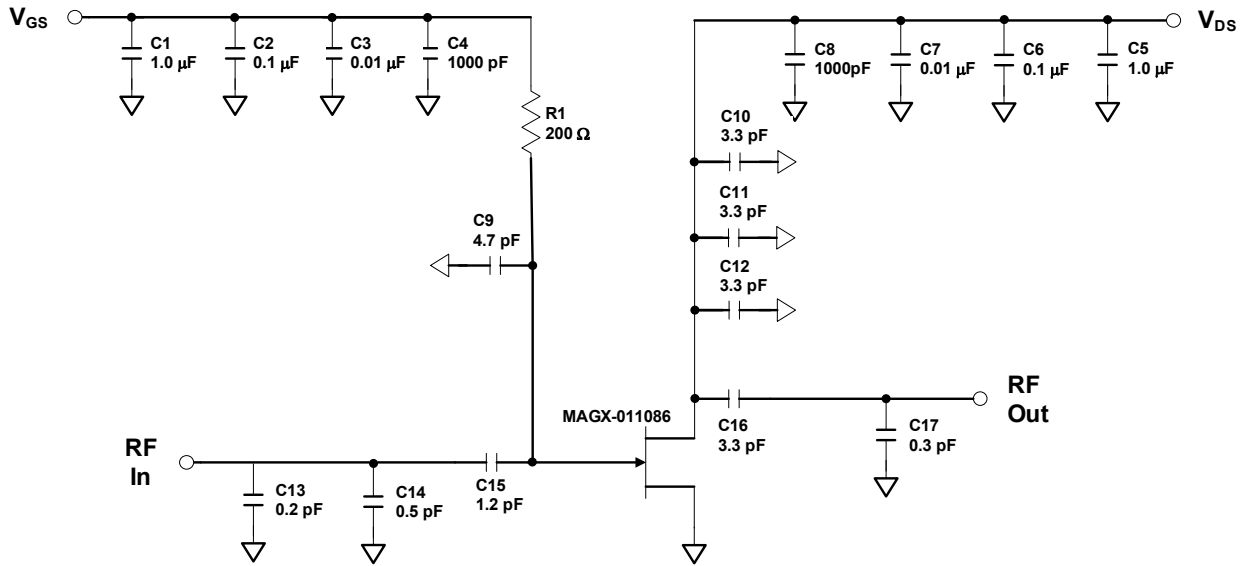
**Gain vs. Output Power**



**Drain Efficiency vs. Output Power**



**Evaluation Board and Recommended Tuning Solution**  
**5.8 GHz Narrowband Circuit**



**Description**

Parts measured on evaluation board (20-mil thick RO4350). The PCB's electrical and thermal ground is provided using a standard-plated densely packed via hole array (see recommended via pattern).

Matching is provided using a combination of lumped elements and transmission lines as shown in the simplified schematic above. Recommended tuning solution component placement, transmission lines, and details are shown on the next page.

**Bias Sequencing**

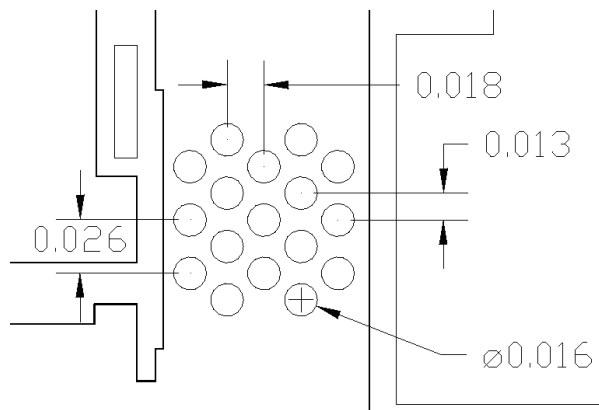
**Turning the device ON**

1. Set  $V_{GS}$  beyond pinch-off ( $V_P$ ), typically -5 V.
2. Turn on  $V_{DS}$  to nominal voltage (28 V).
3. Increase  $V_{GS}$  until the  $I_{DS}$  current is reached.
4. Apply RF power to desired level.

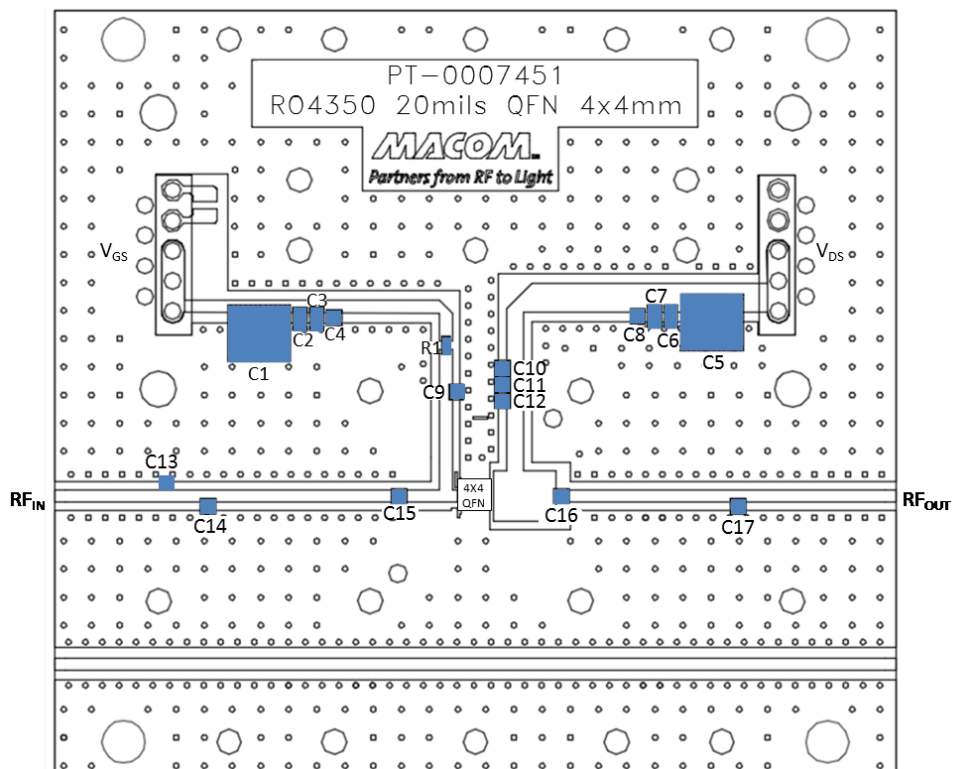
**Turning the device OFF**

1. Turn the RF power off.
2. Decrease  $V_{GS}$  down to  $V_P$ .
3. Decrease  $V_{DS}$  down to 0 V.
4. Turn off  $V_{GS}$ .

**Recommended Via Pattern (All dimensions shown as inches)**



**Evaluation Board and Recommended Tuning Solution**  
**5.8 GHz Narrowband Circuit**

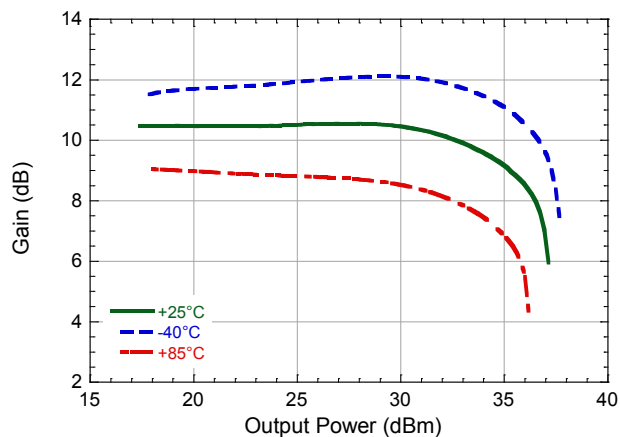


**Parts list**

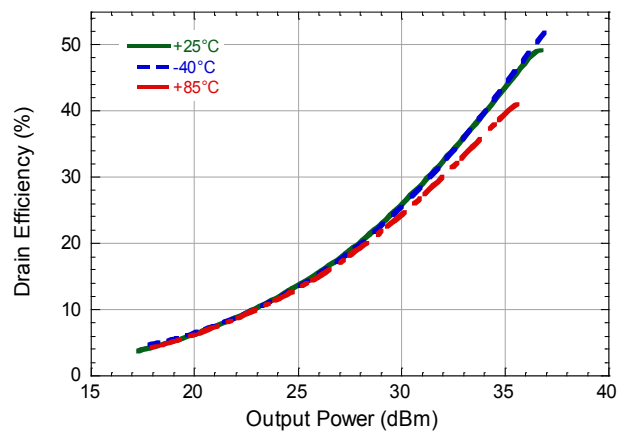
Reference	Value	Tolerance	Manufacturer	Part Number
C1, C5	1.0 $\mu$ F	10%	AVX	12101C105KAT2A
C2, C6	0.1 $\mu$ F	10%	Kemet	C1206C104K1RACTU
C3, C7	0.01 $\mu$ F	10%	AVX	12061C103KAT2A
C4, C8	1000 pF	10%	Kemet	C0805C102K1RACTU
C9	4.7 pF	0.1 pF	ATC	ATC800A4R7B250
C10, C11, C12, C16	3.3 pF	0.1 pF	ATC	ATC800A3R3B250
C13	0.2 pF	0.1 pF	ATC	ATC800A0R2B250
C14	0.5 pF	0.1 pF	ATC	ATC800A0R5B250
C15	1.2 pF	0.1 pF	ATC	ATC800A1R2B250
C17	0.3 pF	0.1 pF	ATC	ATC800A0R3B250
R1	200 $\Omega$	1%	Panasonic	ERJ-6ENF2000V
RF Connector	SMA	—	Amphenol-Connex	132150
DC Connector	D-Subminiature	—	ERNI	284525
PCB	RO4350	—	Rogers Corp	—

**Typical Performance as measured in the 5.8 GHz evaluation board:**  
**CW,  $V_{DS} = 28\text{ V}$ ,  $I_{DQ} = 50\text{ mA}$  (unless noted)**

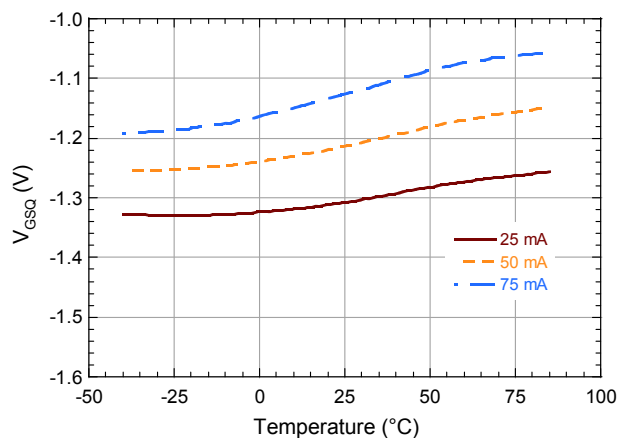
**Gain vs. Output Power over Temperature**



**Drain Efficiency vs. Output Power over Temperature**



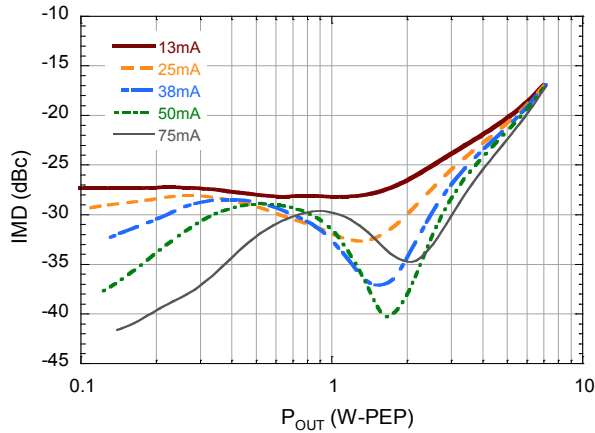
**Quiescent  $V_{GS}$  vs. Temperature**



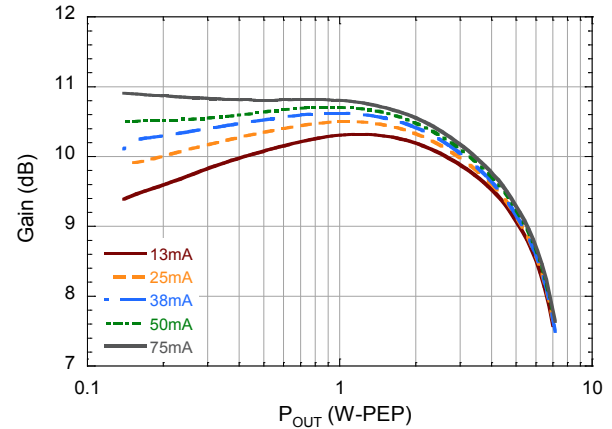


**Typical 2-Tone Performance as measured in the 5.8 GHz evaluation board:**  
**1 MHz Tone Spacing,  $V_{DS} = 28\text{ V}$ ,  $I_{DQ} = 50\text{ mA}$ ,  $T_A = 25^\circ\text{C}$  (unless noted)**

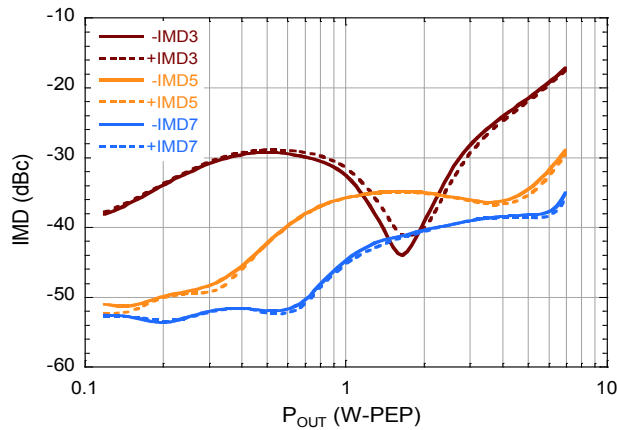
**2-Tone IMD3 vs. Output Power vs. Quiescent Current**



**2-Tone Gain vs. Output Power vs. Quiescent Current**



**2-Tone IMD vs. Output Power**



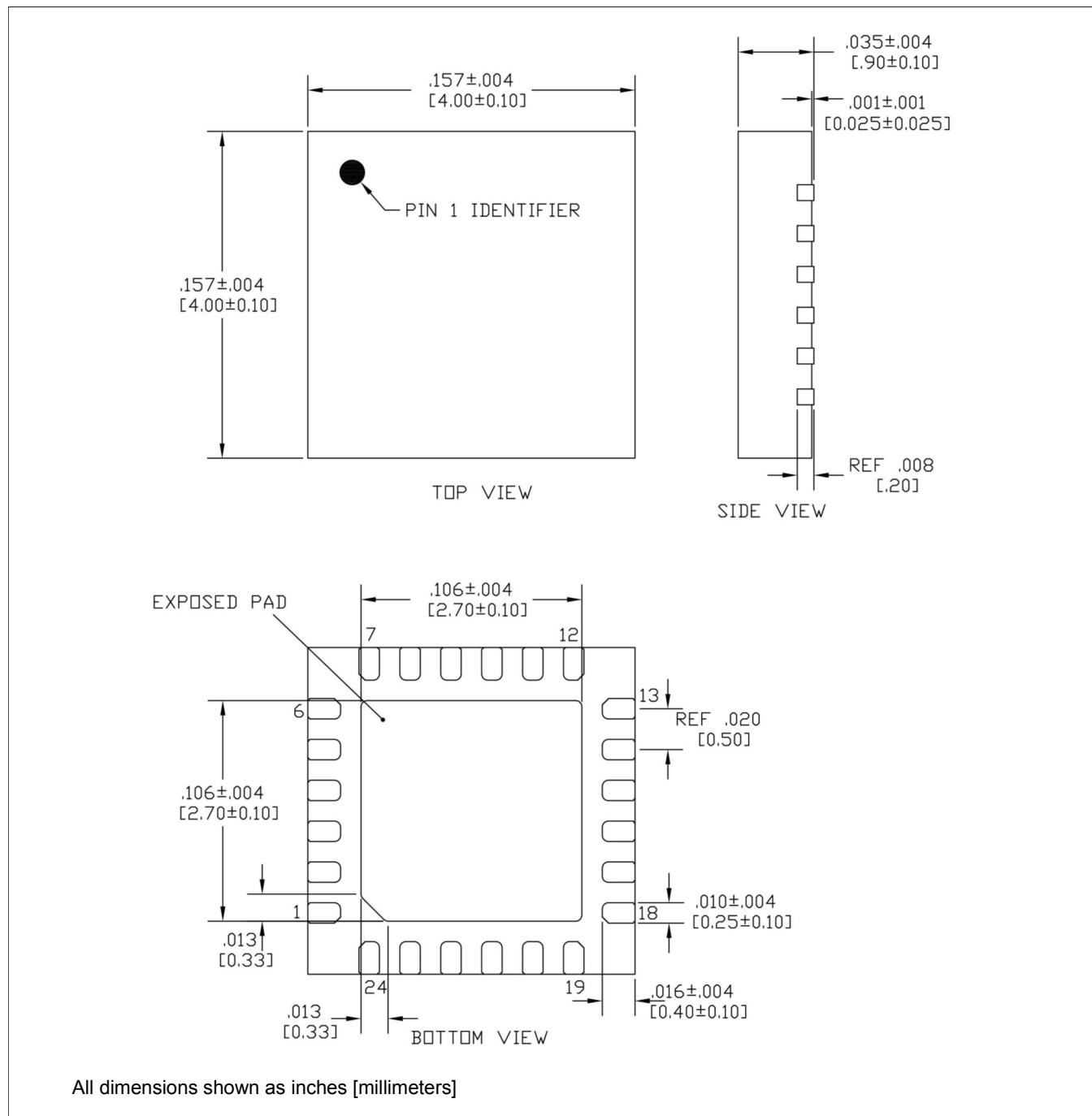
# MAGX-011086



GaN on Silicon General Purpose Amplifier  
DC - 6 GHz, 28 V, 4 W

Rev. V3

## Lead Free 4 mm 24 Lead QFN Plastic Package<sup>†</sup>



<sup>†</sup> Meets JEDEC moisture sensitivity level 3 requirements.  
Plating is Matte Sn.

MACOM Technology Solutions Inc. All rights reserved.

Information in this document is provided in connection with MACOM Technology Solutions Inc ("MACOM") products. These materials are provided by MACOM as a service to its customers and may be used for informational purposes only. Except as provided in MACOM's Terms and Conditions of Sale for such products or in any separate agreement related to this document, MACOM assumes no liability whatsoever. MACOM assumes no responsibility for errors or omissions in these materials. MACOM may make changes to specifications and product descriptions at any time, without notice. MACOM makes no commitment to update the information and shall have no responsibility whatsoever for conflicts or incompatibilities arising from future changes to its specifications and product descriptions. No license, express or implied, by estoppel or otherwise, to any intellectual property rights is granted by this document.

THESE MATERIALS ARE PROVIDED "AS IS" WITHOUT WARRANTY OF ANY KIND, EITHER EXPRESS OR IMPLIED, RELATING TO SALE AND/OR USE OF MACOM PRODUCTS INCLUDING LIABILITY OR WARRANTIES RELATING TO FITNESS FOR A PARTICULAR PURPOSE, CONSEQUENTIAL OR INCIDENTAL DAMAGES, MERCHANTABILITY, OR INFRINGEMENT OF ANY PATENT, COPYRIGHT OR OTHER INTELLECTUAL PROPERTY RIGHT. MACOM FURTHER DOES NOT WARRANT THE ACCURACY OR COMPLETENESS OF THE INFORMATION, TEXT, GRAPHICS OR OTHER ITEMS CONTAINED WITHIN THESE MATERIALS. MACOM SHALL NOT BE LIABLE FOR ANY SPECIAL, INDIRECT, INCIDENTAL, OR CONSEQUENTIAL DAMAGES, INCLUDING WITHOUT LIMITATION, LOST REVENUES OR LOST PROFITS, WHICH MAY RESULT FROM THE USE OF THESE MATERIALS.

MACOM products are not intended for use in medical, lifesaving or life sustaining applications. MACOM customers using or selling MACOM products for use in such applications do so at their own risk and agree to fully indemnify MACOM for any damages resulting from such improper use or sale.

Компания «Life Electronics» занимается поставками электронных компонентов импортного и отечественного производства от производителей и со складов крупных дистрибьюторов Европы, Америки и Азии.

С конца 2013 года компания активно расширяет линейку поставок компонентов по направлению коаксиальный кабель, кварцевые генераторы и конденсаторы (керамические, пленочные, электролитические), за счёт заключения дистрибьюторских договоров

Мы предлагаем:

- Конкурентоспособные цены и скидки постоянным клиентам.
- Специальные условия для постоянных клиентов.
- Подбор аналогов.
- Поставку компонентов в любых объемах, удовлетворяющих вашим потребностям.
- Приемлемые сроки поставки, возможна ускоренная поставка.
- Доставку товара в любую точку России и стран СНГ.
- Комплексную поставку.
- Работу по проектам и поставку образцов.
- Формирование склада под заказчика.
- Сертификаты соответствия на поставляемую продукцию (по желанию клиента).
- Тестирование поставляемой продукции.
- Поставку компонентов, требующих военную и космическую приемку.
- Входной контроль качества.
- Наличие сертификата ISO.

В составе нашей компании организован Конструкторский отдел, призванный помогать разработчикам, и инженерам.

Конструкторский отдел помогает осуществить:

- Регистрацию проекта у производителя компонентов.
- Техническую поддержку проекта.
- Защиту от снятия компонента с производства.
- Оценку стоимости проекта по компонентам.
- Изготовление тестовой платы монтаж и пусконаладочные работы.



Тел: +7 (812) 336 43 04 (многоканальный)  
Email: [org@lifeelectronics.ru](mailto:org@lifeelectronics.ru)