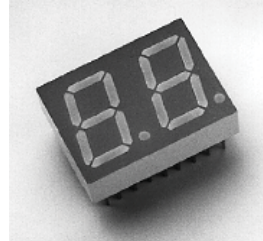


# HDSP-52xE Series HDSP-52xG Series HDSP-52xY Series

14.2 mm (0.56 inch) General Purpose  
Two Digit Seven Segment Displays



## Data Sheet



### Description

These 14.2 mm (0.56 inch) two digit displays use industry standard size and pin-out. The devices are available as either common anode or common cathode. These gray-faced displays are available in a choice of high efficiency red (HER), green, or yellow colors. The HDSP-521x and HDSP-523x series are suitable for indoor use.

These parts are subjected to Outgoing Quality Assurance (OQA) inspection with AQL of 0.065% for functional and visual/cosmetic rejects.

### Applications

- Suitable for indoor use
- Not recommended for industrial applications, i.e. operating temperatures requirements exceeding 85° C or below -35° C [1]
- Extreme temperature cycling not recommended [2]

### Features

- Industry standard size
- Industry standard pin-out 15.24 mm (0.6 in.) DIP leads on 2.54 mm (0.1 in.) centers
- Choice of colors  
Red, green, yellow
- Mitered font  
Mitered corners on segments
- Gray face paint  
Gray package gives optimum contrast
- ±50° viewing angle
- Design flexibility  
Common anode or common cathode
- Categorized for luminous intensity
- Green and yellow categorized for color

### Devices

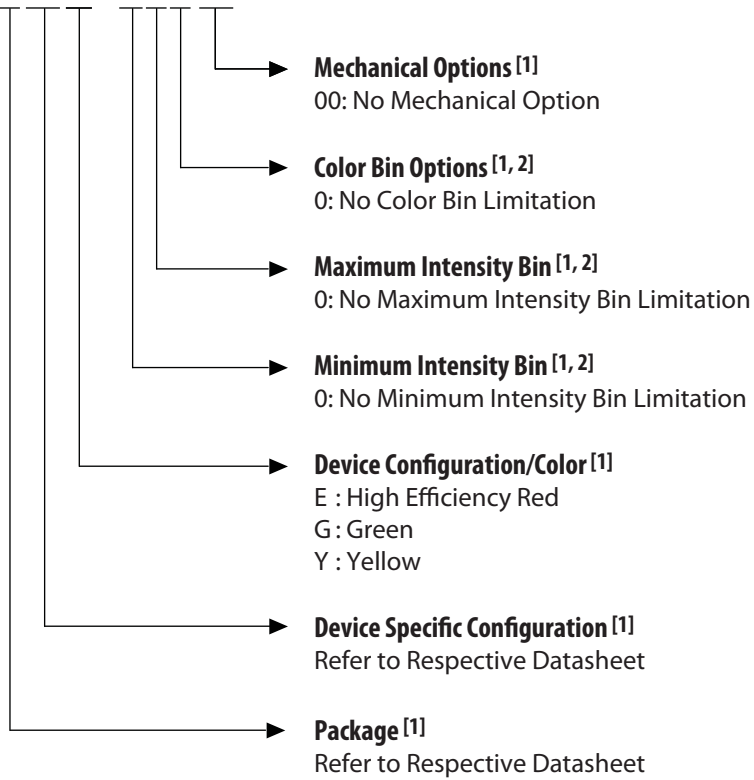
HER HDSP-	Green HDSP-	Yellow HDSP-	Description
521E	521G	521Y	Common Anode Right Hand Decimal
523E	523G	523Y	Common Cathode Right Hand Decima

#### Notes:

1. For industrial applications, it is recommended to use HDSP-5521/5523/5621/5623/5721/5723.
2. For details, please contact your local Avago sales office or an authorized distributor.

## Part Numbering System

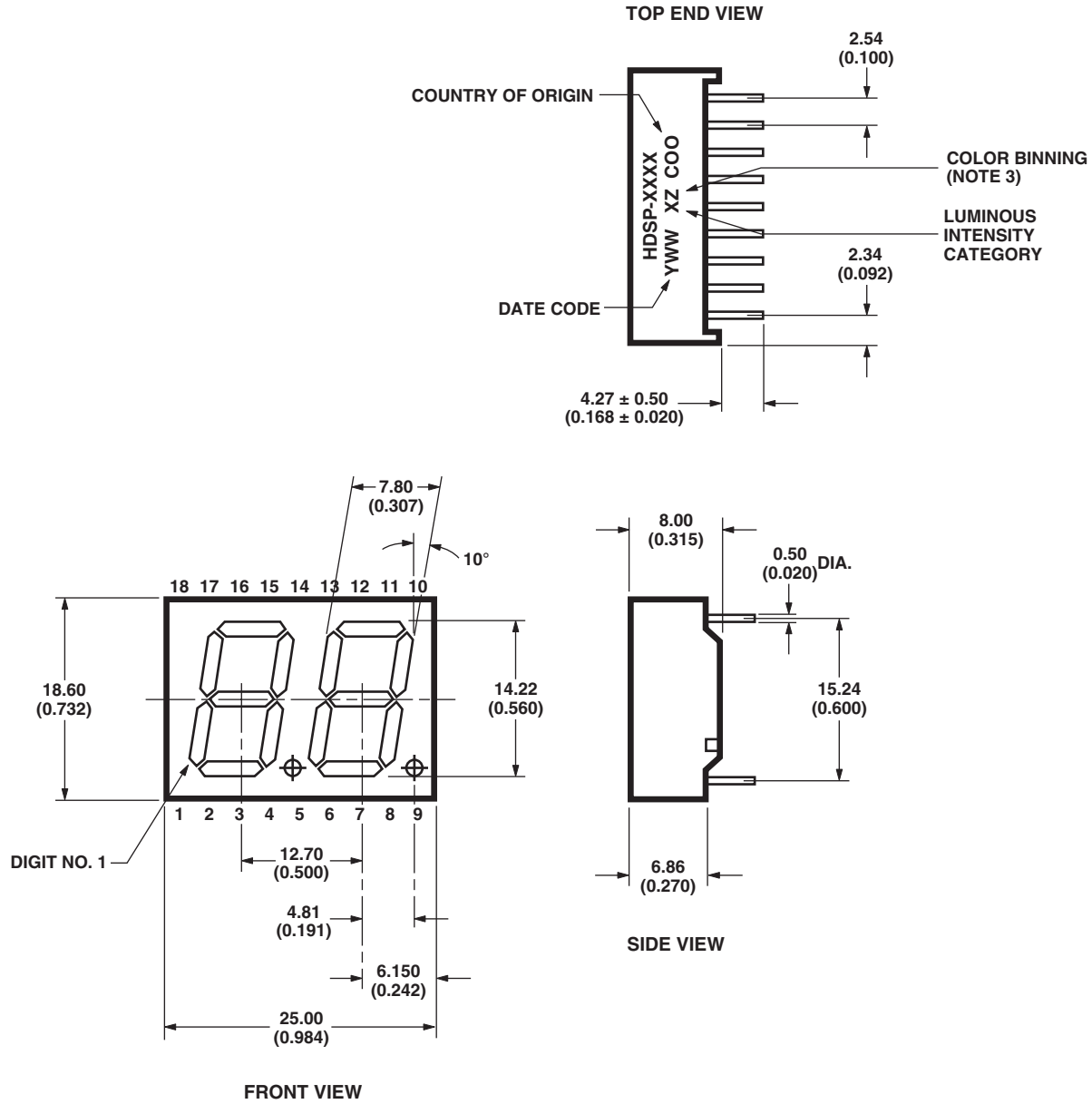
5082 - X XX X - X X X XX  
 HDSP - X XX X - X X X XX



### Notes:

1. For codes not listed in the figure above, please refer to the respective datasheet or contact your nearest Avago representative for details.
2. Bin options refer to shippable bins for a part number. Color and Intensity Bins are typically restricted to 1 bin per tube (exceptions may apply). Please refer to respective datasheet for specific bin limit information.

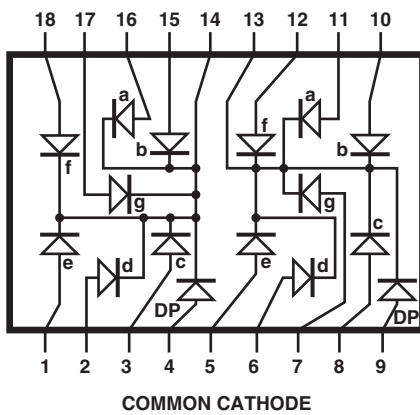
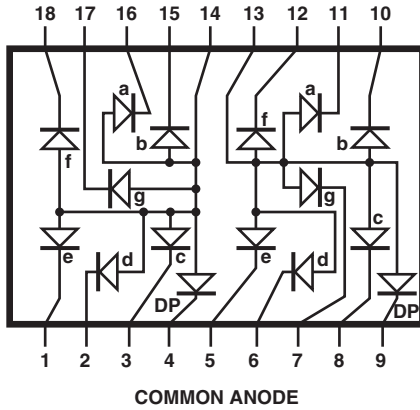
# Package Dimensions



**NOTES:**

1. ALL DIMENSIONS ARE IN MILLIMETERS (INCHES).
2. TOLERANCE IS 0.25 mm (0.01 INCH) UNLESS OTHERWISE STATED.
3. FOR GREEN AND YELLOW ONLY.

## Internal Circuit Diagram



COMMON ANODE		COMMON CATHODE	
PIN	FUNCTION	PIN	FUNCTION
1	E CATHODE NO. 1	1	E ANODE NO. 1
2	D CATHODE NO. 1	2	D ANODE NO. 1
3	C CATHODE NO. 1	3	C ANODE NO. 1
4	DP CATHODE NO. 1	4	DP ANODE NO. 1
5	E CATHODE NO. 2	5	E ANODE NO. 2
6	D CATHODE NO. 2	6	D ANODE NO. 2
7	G CATHODE NO. 2	7	G ANODE NO. 2
8	C CATHODE NO. 2	8	C ANODE NO. 2
9	DP CATHODE NO. 2	9	DP ANODE NO. 2
10	B CATHODE NO. 2	10	B ANODE NO. 2
11	A CATHODE NO. 2	11	A ANODE NO. 2
12	F CATHODE NO. 2	12	F ANODE NO. 2
13	DIGIT NO. 2 ANODE	13	DIGIT NO. 2 CATHODE
14	DIGIT NO. 1 ANODE	14	DIGIT NO. 1 CATHODE
15	B CATHODE NO. 1	15	B ANODE NO. 1
16	A CATHODE NO. 1	16	A ANODE NO. 1
17	G CATHODE NO. 1	17	G ANODE NO. 1
18	F CATHODE NO. 1	18	F ANODE NO. 1

## Absolute Maximum Ratings at T<sub>A</sub> = 25° C

Parameter	HER HDSP-521E HDSP-523E	Green HDSP-521G HDSP-523G	Yellow HDSP-521Y HDSP-523Y	Units
Average Power per Segment or DP	62.5	105	45	mW
Peak Forward Current per Segment or DP (1/10 Duty Cycle, 0.1 ms Pulse Width)	90	90	60	mA
DC Forward Current per Segment or DP <sup>[1]</sup>	25 <sup>[1]</sup>	30 <sup>[3]</sup>	20 <sup>[2]</sup>	mA
Reverse Voltage per Segment or DP	5	5	5	V
Operating Temperature	-35 to +85	-35 to +85	-35 to +85	°C
Storage Temperature	-35 to +85	-35 to +85	-35 to +85	°C
Wave Soldering Temperature for 3 seconds <sup>[4]</sup> (2 mm [0.063 in.] below Body)	250	250	250	°C

Notes:

1. Derate above 25° C at 0.33 mA/°C.
2. Derate above 25° C at 0.27 mA/°C.
3. Derate above 40 celcius at 0.35 mA/celcius.
4. Not recommended to be soldered more than 2 times. Minimum interval between solderings is 15 minutes. Total soldering time not to exceed 5 seconds.

## Optical/Electrical Characteristics at T<sub>A</sub>=25° C

### High Efficiency Red

Devices HDSP-	Parameter	Symbol	Min.	Typ.	Max.	Units	Test Conditions
521E 523E	Luminous Intensity/Segment (Segment Average) <sup>[1,2]</sup>	I <sub>v</sub>	2.28	4.00	7.69	mcd	I <sub>F</sub> = 10 mA
	Forward Voltage/Segment or DP	V <sub>F</sub>		2.05	2.60	V	I <sub>F</sub> = 20 mA
	Peak Wavelength	λ <sub>PEAK</sub>		640		nm	
	Dominant Wavelength <sup>[3]</sup>	λ <sub>d</sub>		628		nm	I <sub>F</sub> = 10 mA
	Reverse Voltage/Segment or DP <sup>[4]</sup>	V <sub>R</sub>	5.0			V	I <sub>R</sub> = 100 μA
	Temperature Coefficient of V <sub>F</sub> / Segment or DP	ΔV <sub>F</sub> /°C		-2		mV/°C	

### Green

Devices HDSP-	Parameter	Symbol	Min.	Typ.	Max.	Units	Test Conditions
521G 523G	Luminous Intensity/Segment (Segment Average) <sup>[1,2]</sup>	I <sub>v</sub>	2.28	3.50	5.13	mcd	I <sub>F</sub> = 10 mA
	Forward Voltage/Segment or DP	V <sub>F</sub>		2.0	2.4	V	I <sub>F</sub> = 20 mA
	Peak Wavelength	λ <sub>PEAK</sub>		568		nm	
	Dominant Wavelength <sup>[3]</sup>	λ <sub>d</sub>	564.5	570	576.5	nm	I <sub>F</sub> = 10 mA
	Reverse Voltage/Segment or DP <sup>[4]</sup>	V <sub>R</sub>	5.0			V	I <sub>R</sub> = 100 μA
	Temperature Coefficient of V <sub>F</sub> / Segment or DP	ΔV <sub>F</sub> /°C		-2		mV/°C	

## Yellow

Devices	Parameter	Symbol	Min.	Typ.	Max.	Units	Test Conditions
521Y 523Y	Luminous Intensity/Segment (Segment Average) <sup>[1,2]</sup>	$I_V$	1.52	2.30	5.13	mcd	$I_F = 10 \text{ mA}$
	Forward Voltage/Segment or DP	$V_F$		2.1	2.4	V	$I_F = 20 \text{ mA}$
	Peak Wavelength	$\lambda_{PEAK}$		589		nm	
	Dominant Wavelength <sup>[3]</sup>	$\lambda_d$	582.0	587	592.0	nm	$I_F = 10 \text{ mA}$
	Reverse Voltage/Segment or DP <sup>[4]</sup>	$V_R$	5.0			V	$I_R = 100 \mu\text{A}$
	Temperature Coefficient of $V_F$ / Segment or DP	$\Delta V_F/^\circ\text{C}$		-2		mV/ $^\circ\text{C}$	

Notes:

1. Case temperature of the device immediately prior to the intensity measurement is 25° C.
2. The digits are categorized for luminous intensity. The intensity category is designated by a letter on the side of the package.
3. The dominant wavelength,  $\lambda_d$ , is derived from the CIE chromaticity diagram and represents the single wavelength which defines the color of the device.
4. Typical specification for reference only. Do not exceed absolute maximum ratings.

## Intensity Bin Limits<sup>[1]</sup> (mcd at 10 mA)

Bin Name	Yellow		Green		HER	
	Min. <sup>[2]</sup>	Max. <sup>[2]</sup>	Min. <sup>[2]</sup>	Max. <sup>[2]</sup>	Min. <sup>[2]</sup>	Max. <sup>[2]</sup>
F	1.52	2.28	NA	NA	NA	NA
G	2.28	3.42	2.28	3.42	2.28	3.42
H	3.42	5.13	3.42	5.13	3.42	5.13
I	NA	NA	NA	NA	5.13	7.69

Notes:

1. Bin categories are established for classification of products. Products may not be available in all bin categories.
2. Tolerance for each bin limit is  $\pm 10\%$ .

## Color Categories (Dominant Wavelength)

Green		
Bin Name	Min. <sup>[2]</sup>	Max. <sup>[2]</sup>
3	570.5	573.5
2	573.5	576.5
Yellow		
Bin Name	Min. <sup>[2]</sup>	Max. <sup>[2]</sup>
2	587.00	584.50
3	584.50	587.00

Notes:

1. Bin categories are established for classification of products. Products may not be available in all bin categories.
2. Tolerance for each bin limit is  $\pm 1 \text{ nM}$ .

## Contrast Enhancement

For information on contrast enhancement, please see Application Note 1015.

## Soldering/Cleaning

Cleaning agents from the ketone family (acetone, methyl ethyl ketone, etc.) and from the chlorinated hydrocarbon family (methylene chloride, trichloro-ethylene, carbon tetrachloride, etc.) are not recommended for cleaning LED parts. All of these various solvents attack or dissolve the encapsulating epoxies used to form the package of plastic LED parts.

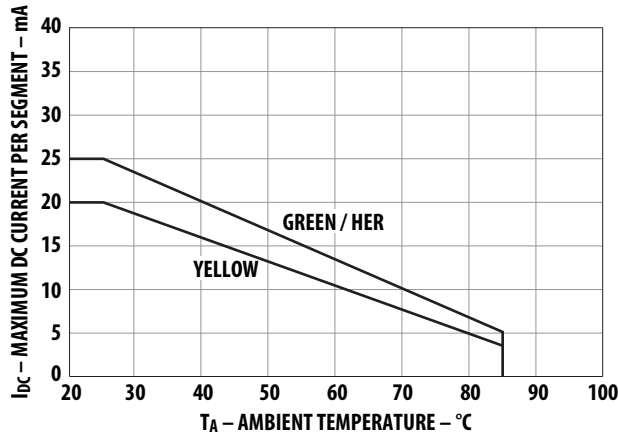


Figure 1. Maximum allowable DC current vs. ambient temperature.

For information on soldering LEDs please refer to Application Note 1027.

## Device Reliability

For reliability information, please see the reliability data sheet 14.2 mm (0.56 inch) General Purpose Two Digit Seven Segment Display.

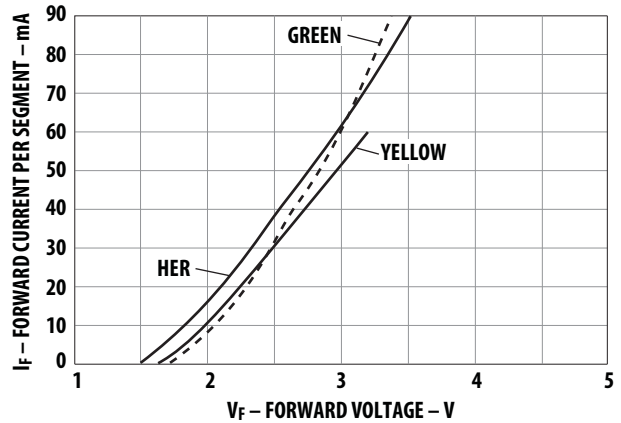


Figure 2. Forward current vs. forward voltage.

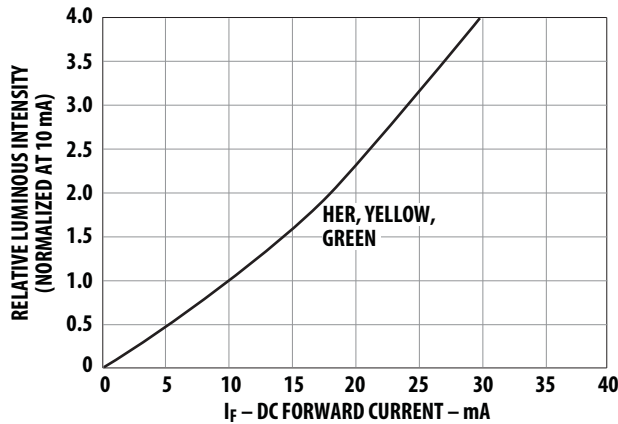


Figure 3. Relative luminous intensity vs. DC forward current.

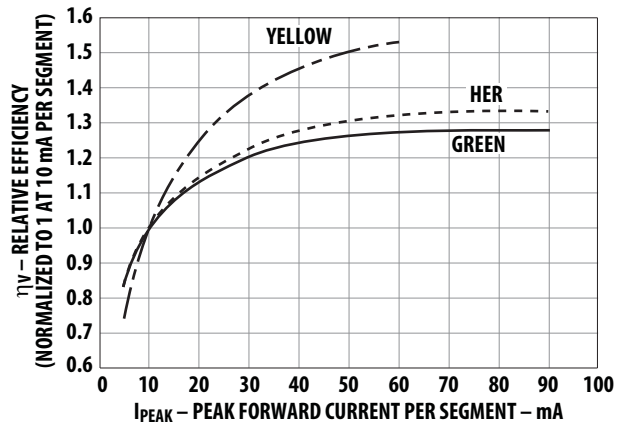


Figure 4. Relative efficiency (luminous intensity per unit current) vs. peak current.

For product information and a complete list of distributors, please go to our web site: [www.avagotech.com](http://www.avagotech.com)

Avago, Avago Technologies, and the A logo are trademarks of Avago Technologies in the United States and other countries. Data subject to change. Copyright © 2005-2012 Avago Technologies. All rights reserved. Obsoletes 5988-5378EN AV02-3586EN - June 11, 2012

**AVAGO**  
TECHNOLOGIES

Компания «Life Electronics» занимается поставками электронных компонентов импортного и отечественного производства от производителей и со складов крупных дистрибьюторов Европы, Америки и Азии.

С конца 2013 года компания активно расширяет линейку поставок компонентов по направлению коаксиальный кабель, кварцевые генераторы и конденсаторы (керамические, пленочные, электролитические), за счёт заключения дистрибьюторских договоров

Мы предлагаем:

- Конкурентоспособные цены и скидки постоянным клиентам.
- Специальные условия для постоянных клиентов.
- Подбор аналогов.
- Поставку компонентов в любых объемах, удовлетворяющих вашим потребностям.
- Приемлемые сроки поставки, возможна ускоренная поставка.
- Доставку товара в любую точку России и стран СНГ.
- Комплексную поставку.
- Работу по проектам и поставку образцов.
- Формирование склада под заказчика.
- Сертификаты соответствия на поставляемую продукцию (по желанию клиента).
- Тестирование поставляемой продукции.
- Поставку компонентов, требующих военную и космическую приемку.
- Входной контроль качества.
- Наличие сертификата ISO.

В составе нашей компании организован Конструкторский отдел, призванный помогать разработчикам, и инженерам.

Конструкторский отдел помогает осуществить:

- Регистрацию проекта у производителя компонентов.
- Техническую поддержку проекта.
- Защиту от снятия компонента с производства.
- Оценку стоимости проекта по компонентам.
- Изготовление тестовой платы монтаж и пусконаладочные работы.



Тел: +7 (812) 336 43 04 (многоканальный)

Email: [org@lifeelectronics.ru](mailto:org@lifeelectronics.ru)