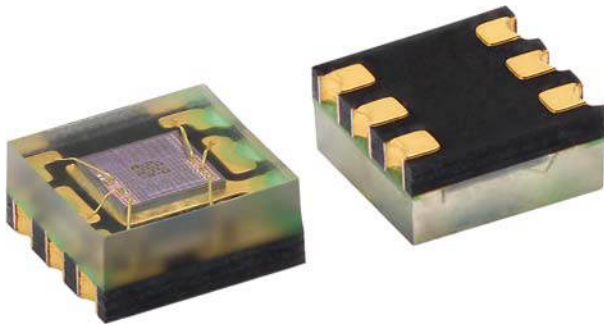


## High Accuracy Ambient Light Sensor with I<sup>2</sup>C Interface



### DESCRIPTION

VEML6030 is a high accuracy ambient light digital 16-bit resolution sensor in a miniature transparent 2 mm x 2 mm package. It includes a high sensitive photodiode, a low noise amplifier, a 16-bit A/D converter and supports an easy to use I<sup>2</sup>C bus communication interface and additional interrupt feature.

The ambient light result is as digital value available.

### APPLICATIONS

- Ambient light sensor for mobile devices (e.g. smart phones, touch phones, PDA, GPS) for backlight dimming
- Ambient light sensor for industrial on- / off-lighting operation
- Optical switch for consumer, computing, and industrial devices and displays

### FEATURES

- Package type: surface mount
- Dimensions (L x W x H in mm): 2 x 2 x 0.85
- Integrated modules: ambient light sensor (ALS)
- Supply voltage range V<sub>DD</sub>: 2.5 V to 3.6 V
- Communication via I<sup>2</sup>C interface
- I<sup>2</sup>C bus H-level range: 1.7 V to 3.6 V
- Floor life: 72 h, MSL 4, according to J-STD-020
- Low stand by current consumption: typ. 0.5 μA
- Material categorization: for definitions of compliance please see [www.vishay.com/doc?99912](http://www.vishay.com/doc?99912)



### AMBIENT LIGHT FUNCTION

- Filtron™ technology adaption: close to real human eye response
- O-Trim™ technology adoption: ALS output tolerance ≤ 10 %
- 16-bit dynamic range for ambient light detection from 0 lx to about 120 klx with resolution down to 0.0036 lx/ct, supports low transmittance (dark) lens design
- 100 Hz and 120 Hz flicker noise rejection
- Excellent temperature compensation
- High dynamic detection resolution
- Software shutdown mode control

### PRODUCT SUMMARY

| PART NUMBER | OPERATING RANGE (mm) | OPERATING VOLTAGE RANGE (V) | I <sup>2</sup> C BUS VOLTAGE RANGE (V) | AMBIENT LIGHT RANGE (lx) | AMBIENT LIGHT RESOLUTION (lx) | OUTPUT CODE              | ADC RESOLUTION PROXIMITY / AMBIENT LIGHT |
|-------------|----------------------|-----------------------------|--|--------------------------|-------------------------------|--------------------------|--|
| VEML6030    | n/a                  | 2.5 to 3.6                  | 1.7 to 3.6                             | 0 to 120 000             | 0.0036                        | 16 bit, I <sup>2</sup> C | - / 0.0036                               |

### ORDERING INFORMATION

| ORDERING CODE | PACKAGING     | VOLUME <sup>(1)</sup> | REMARKS                   |
|---------------|---------------|-----------------------|---------------------------|
| VEML6030      | Tape and reel | MOQ: 3000             | 2.0 mm x 2.0 mm x 0.85 mm |
| VEML6030-GS15 |               | MOQ: 10 000           |                           |

#### Note

<sup>(1)</sup> MOQ: minimum order quantity

| <b>ABSOLUTE MAXIMUM RATINGS</b> ( $T_{amb} = 25\text{ }^{\circ}\text{C}$ , unless otherwise specified) |   |           |      |      |                    |
|--|---|-----------|------|------|--------------------|
| PARAMETER  | TEST CONDITION                            | SYMBOL    | MIN. | MAX. | UNIT               |
| Supply voltage   |   | $V_{DD}$  | 0    | 4    | V                  |
| Operation temperature range  |   | $T_{amb}$ | -25  | +85  | $^{\circ}\text{C}$ |
| Storage temperature range  |   | $T_{stg}$ | -25  | +85  | $^{\circ}\text{C}$ |
| Total power dissipation  | $T_{amb} \leq 25\text{ }^{\circ}\text{C}$ | $P_{tot}$ | -    | 50   | mW                 |
| Junction temperature   |   | $T_j$     | -    | 110  | $^{\circ}\text{C}$ |

| <b>BASIC CHARACTERISTICS</b> ( $T_{amb} = 25\text{ }^{\circ}\text{C}$ , unless otherwise specified) |  |               |      |         |      |               |
|---|--|---------------|------|---------|------|---------------|
| PARAMETER   | TEST CONDITION                                     | SYMBOL        | MIN. | TYP.    | MAX. | UNIT          |
| Supply voltage  |  | $V_{DD}$      | 2.5  | 3.3     | 3.6  | V             |
| Shut down current <sup>(2)</sup>  | $V_{DD}$ is 3.3 V                                  | $I_{sd}$      | -    | 0.5     | -    | $\mu\text{A}$ |
| Operation mode current <sup>(1)</sup>   | $V_{DD}$ is 3.3 V, PSM = 11, refresh time 4100 ms  | $I_{DD}$      | -    | 2       | -    | $\mu\text{A}$ |
|   | $V_{DD}$ is 3.3 V, PSM = 00, refresh time 600 ms   | $I_{DD}$      | -    | 8       | -    | $\mu\text{A}$ |
|   | $V_{DD}$ is 3.3 V, PSM_EN = 0, refresh time 100 ms | $I_{DD}$      | -    | 45      | -    | $\mu\text{A}$ |
| I <sup>2</sup> C clock rate range   |  | $f_{SCL}$     | 10   | -       | 400  | kHz           |
| I <sup>2</sup> C bus input H-level range  | $V_{DD}$ is 3.3 V                                  | $V_{ih}$      | 1.3  | -       | 3.6  | V             |
| I <sup>2</sup> C bus input L-level range  | $V_{DD}$ is 3.3 V                                  | $V_{il}$      | -    | -       | 0.4  | V             |
| Digital current out (low, current sink)   |  | $I_{ol}$      | 3    | -       | -    | mA            |
| Digital resolution (LSB count)  | with ALS_GAIN = "01"                               |               | -    | 0.0036  | -    | lx/step       |
| Detectable minimum illuminance  | with ALS_GAIN = "01"                               | $E_{V\ min.}$ | -    | 0.0072  | -    | lx            |
| Detectable maximum illuminance  | with ALS_GAIN = "10"                               | $E_{V\ max.}$ | -    | 120 000 | -    | lx            |
| Dark offset <sup>(1)</sup>  | with ALS_GAIN = "01"                               |               | -    | 3       | -    | step          |

**Notes**

- (1) Light source: white LED  
 (2) Light conditions: dark

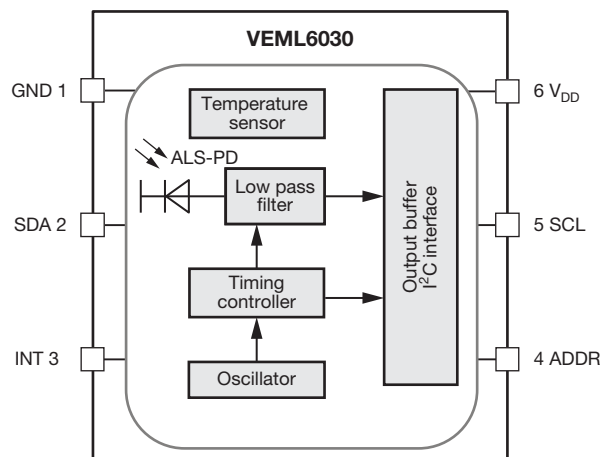
**CIRCUIT BLOCK DIAGRAM**


Fig. 1 - Block Diagram

| <b>I<sup>2</sup>C TIMING CHARACTERISTICS</b> ( $T_{amb} = 25\text{ }^{\circ}\text{C}$ , unless otherwise specified) |                 |                              |      |                          |      |               |
|---|-----------------|------------------------------|------|--------------------------|------|---------------|
| PARAMETER   | SYMBOL          | STANDARD MODE <sup>(1)</sup> |      | FAST MODE <sup>(1)</sup> |      | UNIT          |
|   |                 | MIN.                         | MAX. | MIN.                     | MAX. |               |
| Clock frequency   | $f_{(SMBCLK)}$  | 10                           | 100  | 10                       | 400  | kHz           |
| Bus free time between start and stop condition  | $t_{(BUF)}$     | 4.7                          | -    | 1.3                      | -    | $\mu\text{s}$ |
| Hold time after (repeated) start condition;<br>after this period, the first clock is generated                      | $t_{(HDSTA)}$   | 4.0                          | -    | 0.6                      | -    | $\mu\text{s}$ |
| Repeated start condition setup time   | $t_{(SUSTA)}$   | 4.7                          | -    | 0.6                      | -    | $\mu\text{s}$ |
| Stop condition setup time   | $t_{(SUSTO)}$   | 4.0                          | -    | 0.6                      | -    | $\mu\text{s}$ |
| Data hold time  | $t_{(HDDAT)}$   | 0                            | 3450 | 0                        | 900  | ns            |
| Data setup time   | $t_{(SUDAT)}$   | 250                          | -    | 100                      | -    | ns            |
| I <sup>2</sup> C clock (SCK) low period   | $t_{(LOW)}$     | 4.7                          | -    | 1.3                      | -    | $\mu\text{s}$ |
| I <sup>2</sup> C clock (SCK) high period  | $t_{(HIGH)}$    | 4.0                          | -    | 0.6                      | -    | $\mu\text{s}$ |
| Detect clock / data low timeout   | $t_{(TIMEOUT)}$ | 25                           | 35   | -                        | -    | ms            |
| Clock / data fall time  | $t_{(F)}$       | -                            | 300  | -                        | 300  | ns            |
| Clock / data rise time  | $t_{(R)}$       | -                            | 1000 | -                        | 300  | ns            |

**Note**

(1) Data based on standard I<sup>2</sup>C protocol requirement, not tested in production.

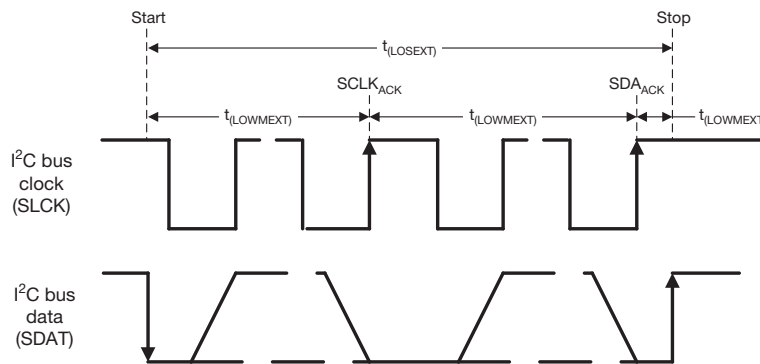
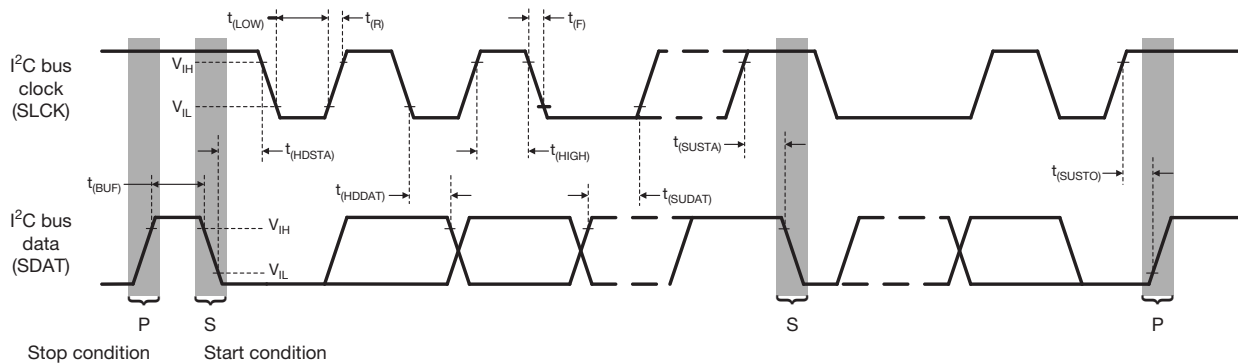


Fig. 2 - I<sup>2</sup>C Timing Diagram

**PARAMETER TIMING INFORMATION**

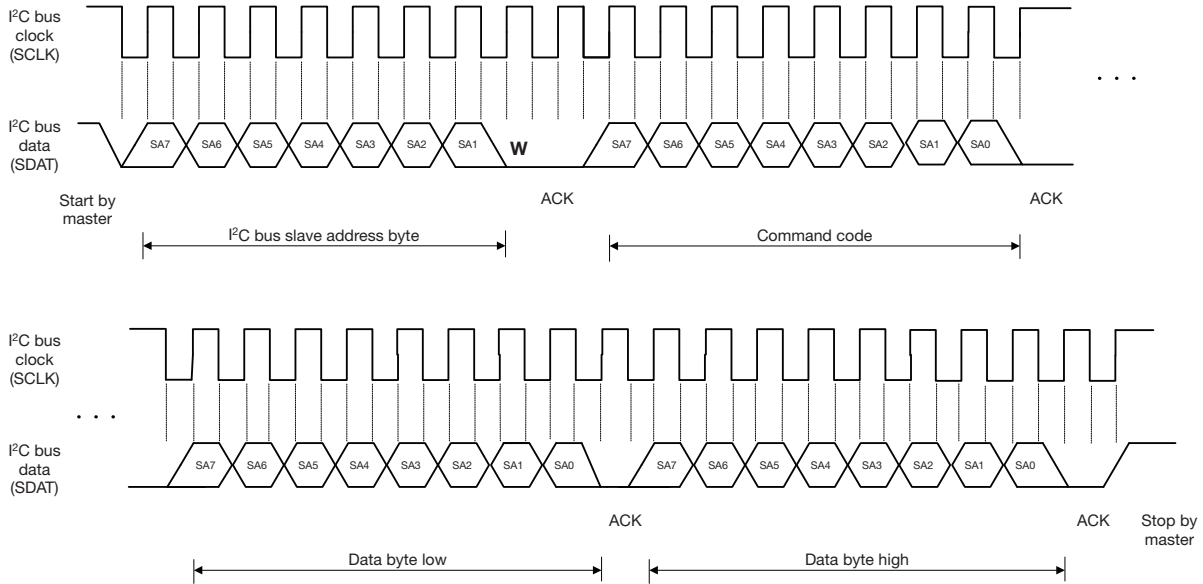


Fig. 3 - I<sup>2</sup>C Bus Timing for Sending Word Command Format

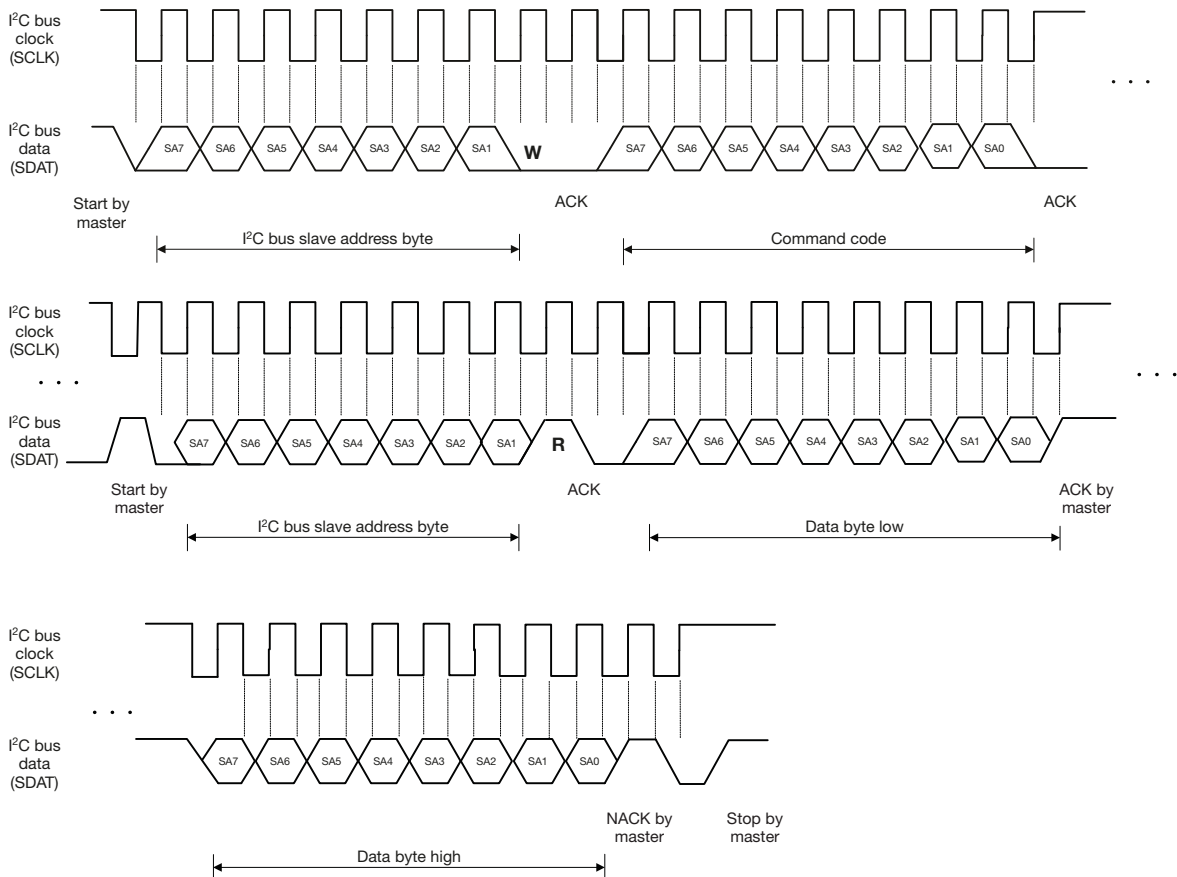


Fig. 4 - I<sup>2</sup>C Bus Timing for Receive Word Command Format

**BASIC CHARACTERISTICS** ( $T_{amb} = 25\text{ }^{\circ}\text{C}$ , unless otherwise specified)

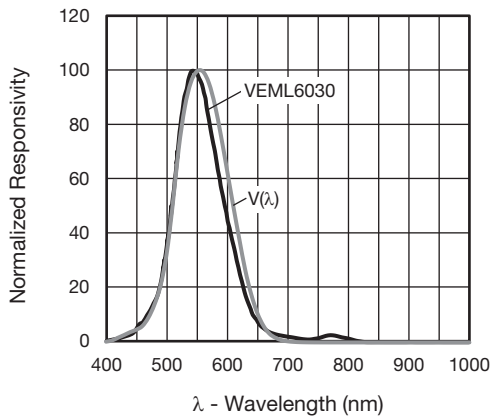


Fig. 5 - Spectral Response

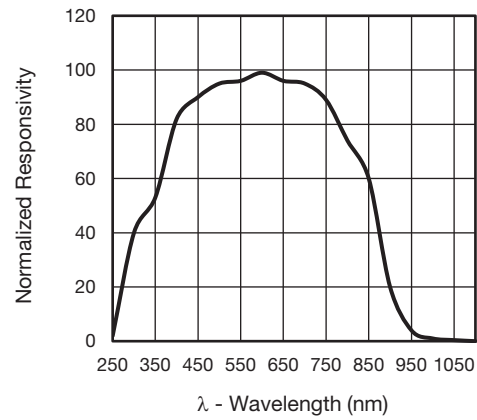
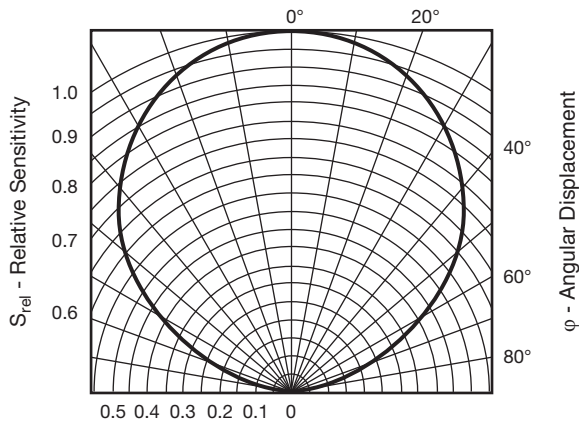


Fig. 6 - White Channel Responsivity

ALS sensitivity spectrum close to human eye photopic curve  $V(\lambda)$ . Human eye curve adaption achieved by Filtron technology.



22308

Fig. 7 - Relative Radiant Sensitivity vs. Angular Displacement

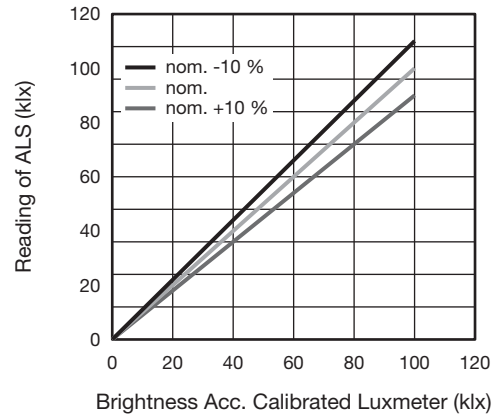


Fig. 8 - ALS measurement deviation between different light sources:  $\leq 10\%$

**APPLICATION INFORMATION**

VEML6030 is a cost effective solution of ambient light sensor with I<sup>2</sup>C bus interface. The standard serial digital interface is easy to access “Ambient Light Signal” without complex calculation and programming by external controller. Beside the digital output also a flexible programmable interrupt pin is available.

**1. Application Circuit**

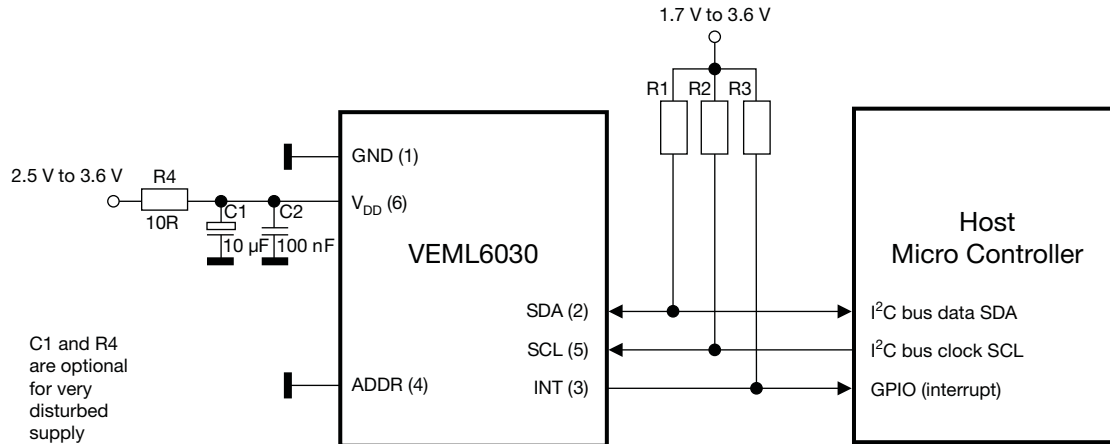


Fig. 9 - Application Circuit  
(x) = Pin Number

**Notes**

- The interrupt pin is an open drain output. Proposed values for the pull-up resistors should be > 1 kΩ, e.g. 2.2 kΩ to 4.7 kΩ for the R1 and R2 (at SDA and SCL) and 10 kΩ to 100 kΩ for R3 (at interrupt). Normally just one decoupling capacitor is needed. This should be ≥ 100 nF and placed close to the V<sub>DD</sub> pin. Pin ADDR allows for the device addresses: pin 4 = high (V<sub>DD</sub>) = 0x48, pin 4 = low (GND) = 0x10

For detailed description about set-up and use of the interrupt as well as more application related information see AN: “Designing VEML6030 into an Application”.

**2. I<sup>2</sup>C Interface**

The VEML6030 contains actual six 16 bit command codes for operation control, parameter setup, and result buffering. All registers are accessible via I<sup>2</sup>C communication. Figure 7 shows the basic I<sup>2</sup>C communication with VEML6030.

The built in I<sup>2</sup>C interface is compatible with I<sup>2</sup>C modes “standard” and “fast”: 10 kHz to 400 kHz.

I<sup>2</sup>C H-level range = 1.3 V to 3.6 V.

Please refer to the I<sup>2</sup>C specification from NXP for details.

Send byte Write command to VEML6030

|   |               |    |   |              |   |                 |   |                 |   |   |
|---|---------------|----|---|--------------|---|-----------------|---|-----------------|---|---|
| S | Slave address | Wr | A | Command code | A | Data byte (LSB) | A | Data byte (MSB) | A | P |
|---|---------------|----|---|--------------|---|-----------------|---|-----------------|---|---|

Receive byte Read data from VEML6030

|   |               |    |   |              |   |   |               |    |   |                 |   |                 |   |   |
|---|---------------|----|---|--------------|---|---|---------------|----|---|-----------------|---|-----------------|---|---|
| S | Slave address | Wr | A | Command code | A | S | Slave address | Rd | A | Data byte (LSB) | A | Data byte (MSB) | N | P |
|---|---------------|----|---|--------------|---|---|---------------|----|---|-----------------|---|-----------------|---|---|

S = start condition  
P = stop condition  
A = acknowledge  
N = no acknowledge  
 Host action  
 VEML6030 response

Fig. 10 - Send Byte / Receive Byte Protocol

**Device Address**

The VEML6030 has two fix slave addresses for the host programming and accessing selection.

With ADDR pin plugged to power supply = high = V<sub>DD</sub>, the predefined 7 bit I<sup>2</sup>C bus address is set to 1001000 = 0x48. The least significant bit (LSB) defines read or write mode. Accordingly the bus address is set to 1001 0000 = 90h for write and 1001 0001 = 91h for read.

With ADDR pin plugged to ground = low, the slave address (7 bit) is set to 0010000 = 0x10. According 8 bit the bus address is then 0010 0000 = 20h for write and 0010 0001 = 21h for read.

**Register Addresses**

VEML6030 has actual six user accessible 16 bit command codes.

The addresses are 00h to 06h (03h not defined / reserved).

**Auto-Memorization**

VEML6030 can memorize the last ambient data before shutdown and keep this data before waking up.

When VEML6030 is in shutdown mode, the host can freely read this data via read command directly.

When VEML6030 wakes up, the data will be refreshed by new detection.

| <b>COMMAND REGISTER FORMAT</b> |               |        |  |       |
|--------------------------------|---------------|--------|--|-------|
| COMMAND CODE                   | REGISTER NAME | BIT    | FUNCTION / DESCRIPTION                               | R / W |
| 00                             | ALS_CONF 0    | 15 : 0 | ALS gain, integration time, interrupt, and shut down | W     |
| 01                             | ALS_WH        | 15 : 8 | ALS high threshold window setting (MSB)              | W     |
|                                |               | 7 : 0  | ALS high threshold window setting (LSB)              | W     |
| 02                             | ALS_WL        | 15 : 8 | ALS low threshold window setting (MSB)               | W     |
|                                |               | 7 : 0  | ALS low threshold window setting (LSB)               | W     |
| 03                             | Power saving  | 15 : 0 | Set (15 : 3) 0000 0000 0000 0b                       |       |
| 04                             | ALS           | 15 : 8 | MSB 8 bits data of whole ALS 16 bits                 | R     |
|                                |               | 7 : 0  | LSB 8 bits data of whole ALS 16 bits                 | R     |
| 05                             | WHITE         | 15 : 8 | MSB 8 bits data of whole WHITE 16 bits               | R     |
|                                |               | 7 : 0  | LSB 8 bits data of whole WHITE 16 bits               | R     |
| 06                             | ALS_INT       | 15 : 0 | ALS INT trigger event                                | R     |

**Note**

- Command code 0 default value is 01 = devices is shut down

**Command Code #0: Configuration Register**

Register address = 00h

The command code #0 is for configuration of the ambient light measurements.

| <b>TABLE 1 - CONFIGURATION REGISTER #0</b> |         |  |       |
|--|---------|--|-------|
| REGISTER NAME                              | BIT     | FUNCTION / DESCRIPTION   | R / W |
| Reserved                                   | 15 : 13 | Set 000b   | W     |
| ALS_GAIN                                   | 12 : 11 | Gain selection<br>00 = ALS gain x 1<br>01 = ALS gain x 2<br>10 = ALS gain x (1/8)<br>11 = ALS gain x (1/4)                       | W     |
| reserved                                   | 10      | Set 0b   | W     |
| ALS_IT                                     | 9 : 6   | ALS integration time setting<br>1100 = 25 ms<br>1000 = 50 ms<br>0000 = 100 ms<br>0001 = 200 ms<br>0010 = 400 ms<br>0011 = 800 ms | W     |
| ALS_PERS                                   | 5 : 4   | ALS persistence protect number setting<br>00 = 1<br>01 = 2<br>10 = 4<br>11 = 8   | W     |
| Reserved                                   | 3 : 2   | Set 00b  | W     |
| ALS_INT_EN                                 | 1       | ALS interrupt enable setting<br>0 = ALS INT disable<br>1 = ALS INT enable  | W     |
| ALS_SD                                     | 0       | ALS shut down setting<br>0 = ALS power on<br>1 = ALS shut down   | W     |

**Note**

- Light level [lx] is (ALS OUTPUT DATA [dec.] / ALS Gain x responsivity). Please study also the application note.

**Command Code #1: High Threshold Windows Setting**

Command code address = 01h. Once enable INT function and use high / low windows threshold, bit 15:0 provides 16 bit register for high bound threshold windows setting.

| TABLE 2 - HIGH THRESHOLD WINDOWS SETTING #1                          |        |        |        |        |        |       |       |       |       |       |       |       |       |       |       |
|--|--------|--------|--------|--------|--------|-------|-------|-------|-------|-------|-------|-------|-------|-------|-------|
| Bit 15   | Bit 14 | Bit 13 | Bit 12 | Bit 11 | Bit 10 | Bit 9 | Bit 8 | Bit 7 | Bit 6 | Bit 5 | Bit 4 | Bit 3 | Bit 2 | Bit 1 | Bit 0 |
| <b>Description</b>   |        |        |        |        |        |       |       |       |       |       |       |       |       |       |       |
| ALS high threshold window setting (15:8 MSB 8 bits of whole 16 bits) |        |        |        |        |        |       |       |       |       |       |       |       |       |       |       |
| ALS high threshold window setting (7:0 LSB 8 bits of whole 16 bits)  |        |        |        |        |        |       |       |       |       |       |       |       |       |       |       |

**Command Code #2: Low Threshold Windows Setting**

Command code address = 02h. Once enable INT function and use high / low windows threshold, bit 15:0 provides 16 bit register for low bound threshold windows setting.

| TABLE 3 - LOW THRESHOLD WINDOWS SETTING #2                          |        |        |        |        |        |       |       |       |       |       |       |       |       |       |       |
|---|--------|--------|--------|--------|--------|-------|-------|-------|-------|-------|-------|-------|-------|-------|-------|
| Bit 15  | Bit 14 | Bit 13 | Bit 12 | Bit 11 | Bit 10 | Bit 9 | Bit 8 | Bit 7 | Bit 6 | Bit 5 | Bit 4 | Bit 3 | Bit 2 | Bit 1 | Bit 0 |
| <b>Description</b>  |        |        |        |        |        |       |       |       |       |       |       |       |       |       |       |
| ALS low threshold window setting (15:8 MSB 8 bits of whole 16 bits) |        |        |        |        |        |       |       |       |       |       |       |       |       |       |       |
| ALS low threshold window setting (7:0 LSB 8 bits of whole 16 bits)  |        |        |        |        |        |       |       |       |       |       |       |       |       |       |       |

**Command Code #3: Power Saving Mode: PSM**

Command code address = 03h. Bits 2 and 1 define the power saving modes. Bits 15 : 3 are reserved.

| TABLE 4 - POWER SAVING MODES |               |       |   |       |
|------------------------------|---------------|-------|---|-------|
| COMMAND CODE                 | REGISTER NAME | BIT   | FUNCTION / DESCRIPTION  | R / W |
| 03                           | PSM           | 2 : 1 | Power saving mode; see table "Refresh time"<br>00 = mode 1<br>01 = mode 2<br>10 = mode 3<br>11 = mode 4 | W     |
|                              | PSM_EN        | 0     | Power saving mode enable setting<br>0 = disable<br>1 = enable   | W     |

**Command Code #4: ALS High Resolution Output Data**

Command code address = 04h. To access 16 bit high resolution ALS output, it is suitable to follow read protocol to read from command code #04 16 bits register.

| TABLE 5 - ALS HIGH RESOLUTION OUTPUT DATA #4                         |        |        |        |        |        |       |       |       |       |       |       |       |       |       |       |
|--|--------|--------|--------|--------|--------|-------|-------|-------|-------|-------|-------|-------|-------|-------|-------|
| Bit 15   | Bit 14 | Bit 13 | Bit 12 | Bit 11 | Bit 10 | Bit 9 | Bit 8 | Bit 7 | Bit 6 | Bit 5 | Bit 4 | Bit 3 | Bit 2 | Bit 1 | Bit 0 |
| <b>Description</b>   |        |        |        |        |        |       |       |       |       |       |       |       |       |       |       |
| ALS high resolution output data (15 : 8 MSB 8 bits of whole 16 bits) |        |        |        |        |        |       |       |       |       |       |       |       |       |       |       |
| ALS high resolution output data (7 : 0 LSB 8 bits of whole 16 bits)  |        |        |        |        |        |       |       |       |       |       |       |       |       |       |       |

**Command Code #5: White Channel Output Data**

Command code address = 05h. To access 16 bit WHITE output, it is suitable to follow read protocol to read from command code #05 16 bits register.

| TABLE 6 - WHITE CHANNEL OUTPUT DATA #5                 |        |        |        |        |        |       |       |       |       |       |       |       |       |       |       |
|--|--------|--------|--------|--------|--------|-------|-------|-------|-------|-------|-------|-------|-------|-------|-------|
| Bit 15   | Bit 14 | Bit 13 | Bit 12 | Bit 11 | Bit 10 | Bit 9 | Bit 8 | Bit 7 | Bit 6 | Bit 5 | Bit 4 | Bit 3 | Bit 2 | Bit 1 | Bit 0 |
| <b>Description</b>                                     |        |        |        |        |        |       |       |       |       |       |       |       |       |       |       |
| WHITE output data (15 : 8 MSB 8 bits of whole 16 bits) |        |        |        |        |        |       |       |       |       |       |       |       |       |       |       |
| WHITE output data (7 : 0 LSB 8 bits of whole 16 bits)  |        |        |        |        |        |       |       |       |       |       |       |       |       |       |       |





Command Code #6: Interrupt Status

Command code address = 06h. Bit 15 defines interrupt flag while trigger occurred due to data crossing low threshold windows. Bit 14 defines interrupt flag while trigger occurred due to data crossing high threshold windows.

| TABLE 7 - INTERRUPT STATUS #6 |   |             |
|-------------------------------|---|-------------|
| Bit 15                        | Bit 14                                      | Bit 13 to 0 |
| int_th_low                    | int_th_high                                 | reserved    |
| Description                   |   |             |
| int_th_low                    | Read bit. Indicated a low threshold exceed  |             |
| int_th_high                   | Read bit. Indicated a high threshold exceed |             |

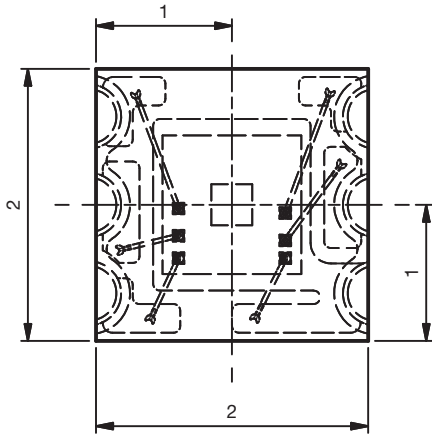
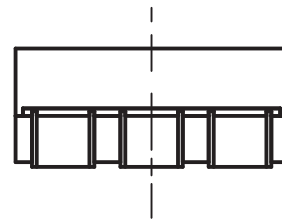
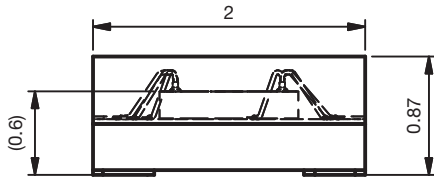
REFRESH TIME DETERMINATION OF PSM

VEML6030's refresh time can be determined by PSM and ALS\_IT setting in power saving mode (PSM). Cooperating with the command register setting, the designer has a flexible method in defining the timing, power consumption, and sensitivity for light data collection.

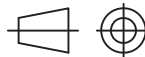
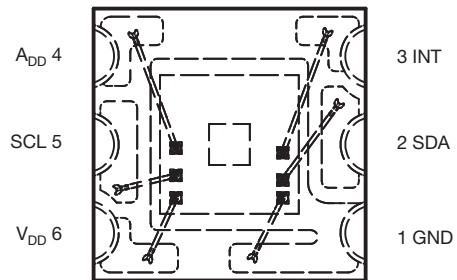
| REFRESH TIME, I <sub>DD</sub> , AND RESOLUTION RELATION |     |        |                   |                      |                     |
|---|-----|--------|-------------------|----------------------|---------------------|
| ALS_GAIN  | PSM | ALS_IT | REFRESH TIME (ms) | I <sub>DD</sub> (μA) | RESOLUTION (lx/bit) |
| 01  | 00  | 0000   | 600               | 8                    | 0.0288              |
| 01  | 01  | 0000   | 1100              | 5                    | 0.0288              |
| 01  | 10  | 0000   | 2100              | 3                    | 0.0288              |
| 01  | 11  | 0000   | 4100              | 2                    | 0.0288              |
| 01  | 00  | 0001   | 700               | 13                   | 0.0144              |
| 01  | 01  | 0001   | 1200              | 8                    | 0.0144              |
| 01  | 10  | 0001   | 2200              | 5                    | 0.0144              |
| 01  | 11  | 0001   | 4200              | 3                    | 0.0144              |
| 01  | 00  | 0010   | 900               | 20                   | 0.0072              |
| 01  | 01  | 0010   | 1400              | 13                   | 0.0072              |
| 01  | 10  | 0010   | 2400              | 8                    | 0.0072              |
| 01  | 11  | 0010   | 4400              | 5                    | 0.0072              |
| 01  | 00  | 0011   | 1300              | 28                   | 0.0036              |
| 01  | 01  | 0011   | 1800              | 20                   | 0.0036              |
| 01  | 10  | 0011   | 2800              | 13                   | 0.0036              |
| 01  | 11  | 0011   | 4800              | 8                    | 0.0036              |



PACKAGE DIMENSIONS in millimeters

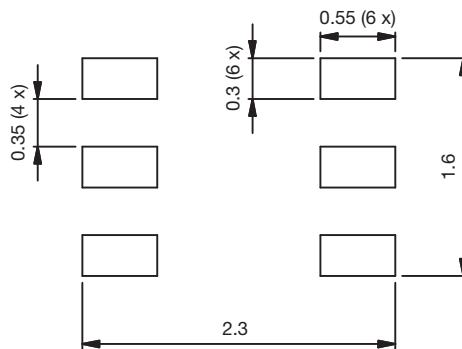
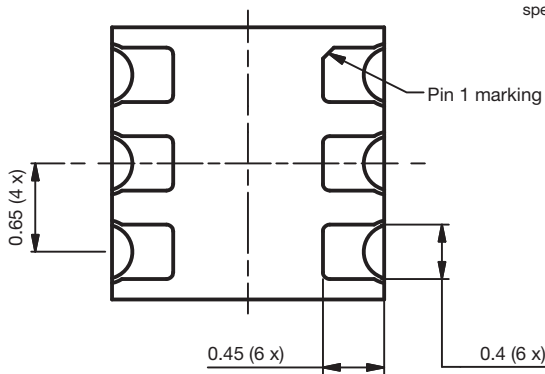


Top View Pinning



Technical drawings according to DIN specification

Recommended Footprint

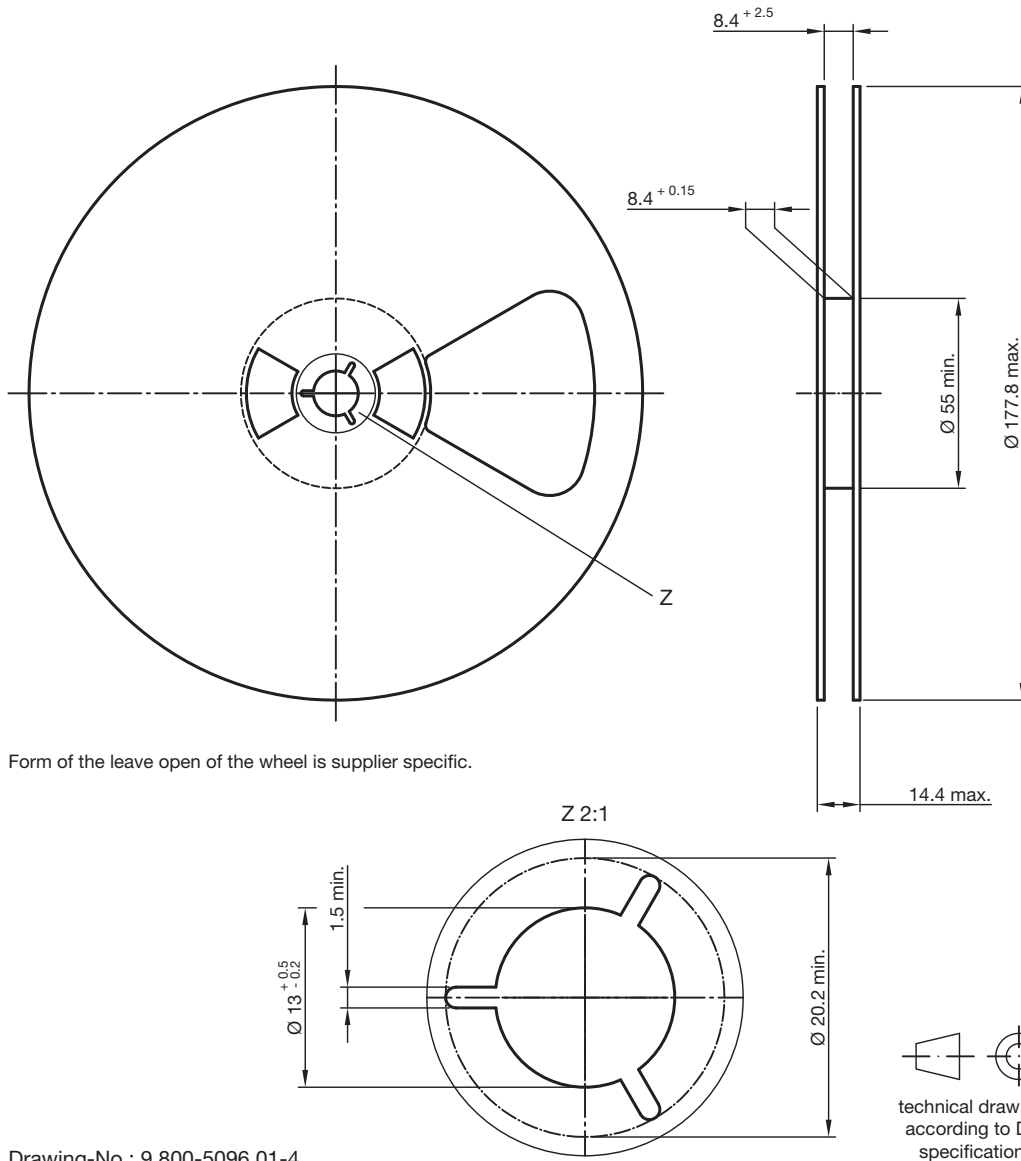


Drawing No.: 6.550-5348.01-4

Issue: 1; 19.02.16

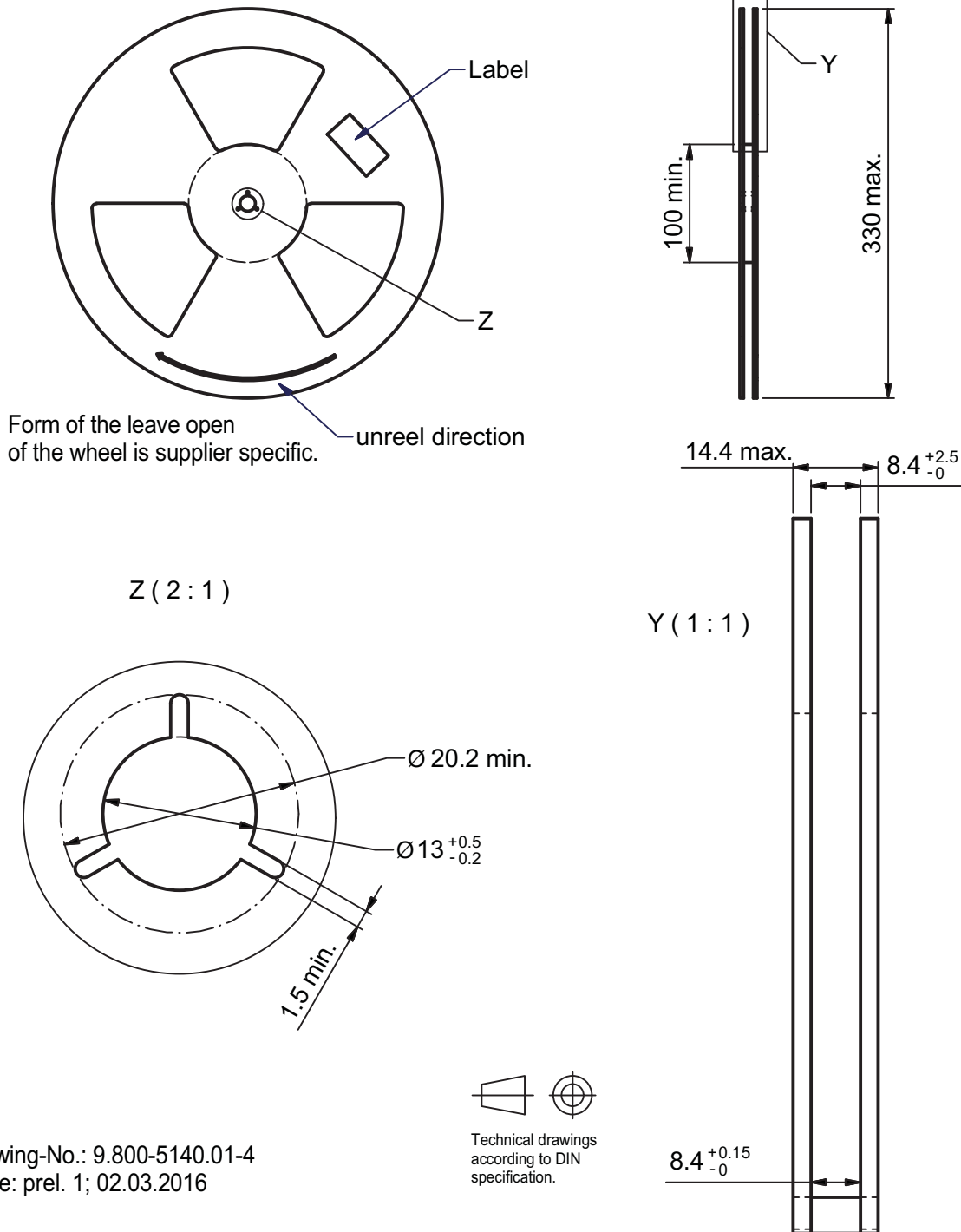
Not indicated tolerances ± 0.1

**TAPE AND REEL DIMENSIONS** in millimeters



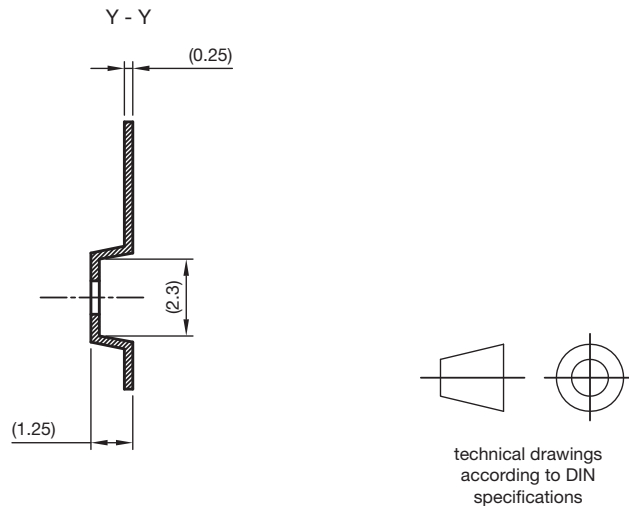
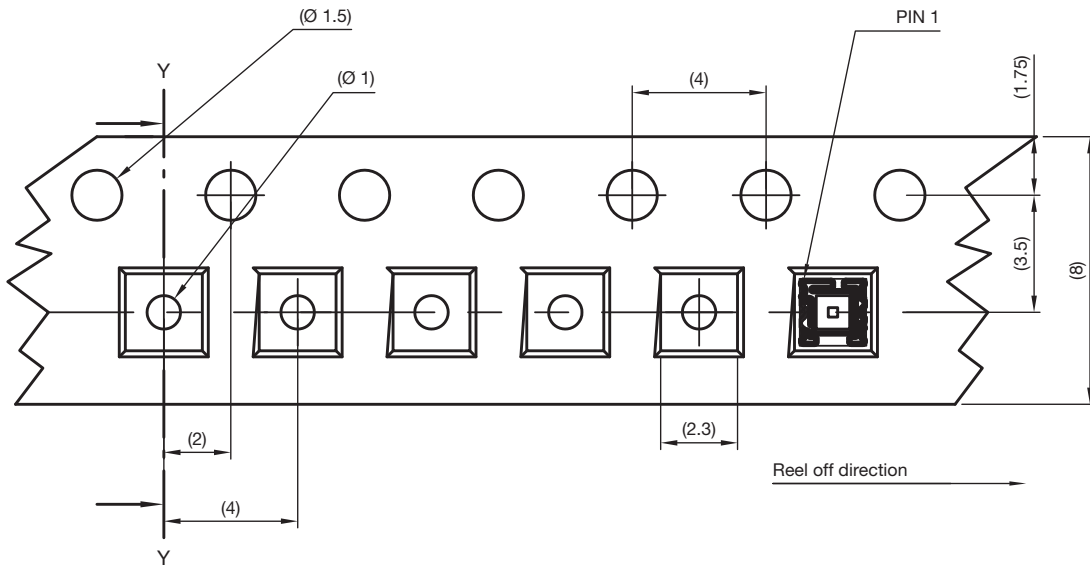
Drawing-No.: 9.800-5096.01-4  
Issue: 4; 08.03.2016

Fig. 11 - 7" Reel, 3000 Pieces



Drawing-No.: 9.800-5140.01-4  
Issue: prel. 1; 02.03.2016

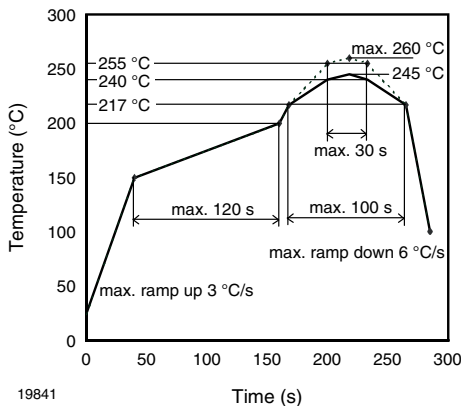
Fig. 12 - 13" Reel, 10 000 Pieces



Drawing-No.: 9.700-5397.01-4  
Issue: 1; 19.02.16

Fig. 13 - Taping

**REFLOW SOLDER PROFILE**



19841  
Fig. 14 - Lead (Pb)-free Reflow Solder Profile  
According to J-STD-020

**DRYPACK**

Devices are packed in moisture barrier bags (MBB) to prevent the products from moisture absorption during transportation and storage. Each bag contains a desiccant.

**FLOOR LIFE**

Floor life (time between soldering and removing from MBB) must not exceed the time indicated on MBB label:

Floor life: 72 h

Conditions:  $T_{amb} < 30\text{ °C}$ ,  $RH < 60\%$

Moisture sensitivity level 4, according to J-STD-020.

**DRYING**

In case of moisture absorption devices should be baked before soldering. Conditions see J-STD-020 or label. Devices taped on reel dry using recommended conditions 192 h at  $40\text{ °C} (+ 5\text{ °C})$ ,  $RH < 5\%$ .



## Disclaimer

ALL PRODUCT, PRODUCT SPECIFICATIONS AND DATA ARE SUBJECT TO CHANGE WITHOUT NOTICE TO IMPROVE RELIABILITY, FUNCTION OR DESIGN OR OTHERWISE.

Vishay Intertechnology, Inc., its affiliates, agents, and employees, and all persons acting on its or their behalf (collectively, "Vishay"), disclaim any and all liability for any errors, inaccuracies or incompleteness contained in any datasheet or in any other disclosure relating to any product.

Vishay makes no warranty, representation or guarantee regarding the suitability of the products for any particular purpose or the continuing production of any product. To the maximum extent permitted by applicable law, Vishay disclaims (i) any and all liability arising out of the application or use of any product, (ii) any and all liability, including without limitation special, consequential or incidental damages, and (iii) any and all implied warranties, including warranties of fitness for particular purpose, non-infringement and merchantability.

Statements regarding the suitability of products for certain types of applications are based on Vishay's knowledge of typical requirements that are often placed on Vishay products in generic applications. Such statements are not binding statements about the suitability of products for a particular application. It is the customer's responsibility to validate that a particular product with the properties described in the product specification is suitable for use in a particular application. Parameters provided in datasheets and/or specifications may vary in different applications and performance may vary over time. All operating parameters, including typical parameters, must be validated for each customer application by the customer's technical experts. Product specifications do not expand or otherwise modify Vishay's terms and conditions of purchase, including but not limited to the warranty expressed therein.

Except as expressly indicated in writing, Vishay products are not designed for use in medical, life-saving, or life-sustaining applications or for any other application in which the failure of the Vishay product could result in personal injury or death. Customers using or selling Vishay products not expressly indicated for use in such applications do so at their own risk. Please contact authorized Vishay personnel to obtain written terms and conditions regarding products designed for such applications.

No license, express or implied, by estoppel or otherwise, to any intellectual property rights is granted by this document or by any conduct of Vishay. Product names and markings noted herein may be trademarks of their respective owners.

## Material Category Policy

**Vishay Intertechnology, Inc. hereby certifies that all its products that are identified as RoHS-Compliant fulfill the definitions and restrictions defined under Directive 2011/65/EU of The European Parliament and of the Council of June 8, 2011 on the restriction of the use of certain hazardous substances in electrical and electronic equipment (EEE) - recast, unless otherwise specified as non-compliant.**

**Please note that some Vishay documentation may still make reference to RoHS Directive 2002/95/EC. We confirm that all the products identified as being compliant to Directive 2002/95/EC conform to Directive 2011/65/EU.**

**Vishay Intertechnology, Inc. hereby certifies that all its products that are identified as Halogen-Free follow Halogen-Free requirements as per JEDEC JS709A standards. Please note that some Vishay documentation may still make reference to the IEC 61249-2-21 definition. We confirm that all the products identified as being compliant to IEC 61249-2-21 conform to JEDEC JS709A standards.**

Компания «Life Electronics» занимается поставками электронных компонентов импортного и отечественного производства от производителей и со складов крупных дистрибьюторов Европы, Америки и Азии.

С конца 2013 года компания активно расширяет линейку поставок компонентов по направлению коаксиальный кабель, кварцевые генераторы и конденсаторы (керамические, пленочные, электролитические), за счёт заключения дистрибьюторских договоров

Мы предлагаем:

- Конкурентоспособные цены и скидки постоянным клиентам.
- Специальные условия для постоянных клиентов.
- Подбор аналогов.
- Поставку компонентов в любых объемах, удовлетворяющих вашим потребностям.
- Приемлемые сроки поставки, возможна ускоренная поставка.
- Доставку товара в любую точку России и стран СНГ.
- Комплексную поставку.
- Работу по проектам и поставку образцов.
- Формирование склада под заказчика.
- Сертификаты соответствия на поставляемую продукцию (по желанию клиента).
- Тестирование поставляемой продукции.
- Поставку компонентов, требующих военную и космическую приемку.
- Входной контроль качества.
- Наличие сертификата ISO.

В составе нашей компании организован Конструкторский отдел, призванный помогать разработчикам, и инженерам.

Конструкторский отдел помогает осуществить:

- Регистрацию проекта у производителя компонентов.
- Техническую поддержку проекта.
- Защиту от снятия компонента с производства.
- Оценку стоимости проекта по компонентам.
- Изготовление тестовой платы монтаж и пусконаладочные работы.



Тел: +7 (812) 336 43 04 (многоканальный)  
Email: [org@lifeelectronics.ru](mailto:org@lifeelectronics.ru)