



**MICROCHIP**

---

**MCP16331  
High-Voltage Input  
Buck Converter  
Evaluation Board  
User's Guide**

---

**Note the following details of the code protection feature on Microchip devices:**

- Microchip products meet the specification contained in their particular Microchip Data Sheet.
- Microchip believes that its family of products is one of the most secure families of its kind on the market today, when used in the intended manner and under normal conditions.
- There are dishonest and possibly illegal methods used to breach the code protection feature. All of these methods, to our knowledge, require using the Microchip products in a manner outside the operating specifications contained in Microchip's Data Sheets. Most likely, the person doing so is engaged in theft of intellectual property.
- Microchip is willing to work with the customer who is concerned about the integrity of their code.
- Neither Microchip nor any other semiconductor manufacturer can guarantee the security of their code. Code protection does not mean that we are guaranteeing the product as "unbreakable."

Code protection is constantly evolving. We at Microchip are committed to continuously improving the code protection features of our products. Attempts to break Microchip's code protection feature may be a violation of the Digital Millennium Copyright Act. If such acts allow unauthorized access to your software or other copyrighted work, you may have a right to sue for relief under that Act.

---

Information contained in this publication regarding device applications and the like is provided only for your convenience and may be superseded by updates. It is your responsibility to ensure that your application meets with your specifications. MICROCHIP MAKES NO REPRESENTATIONS OR WARRANTIES OF ANY KIND WHETHER EXPRESS OR IMPLIED, WRITTEN OR ORAL, STATUTORY OR OTHERWISE, RELATED TO THE INFORMATION, INCLUDING BUT NOT LIMITED TO ITS CONDITION, QUALITY, PERFORMANCE, MERCHANTABILITY OR FITNESS FOR PURPOSE. Microchip disclaims all liability arising from this information and its use. Use of Microchip devices in life support and/or safety applications is entirely at the buyer's risk, and the buyer agrees to defend, indemnify and hold harmless Microchip from any and all damages, claims, suits, or expenses resulting from such use. No licenses are conveyed, implicitly or otherwise, under any Microchip intellectual property rights.

**Trademarks**

The Microchip name and logo, the Microchip logo, dsPIC, FlashFlex, KEELOQ, KEELOQ logo, MPLAB, PIC, PICmicro, PICSTART, PIC<sup>32</sup> logo, rPIC, SST, SST Logo, SuperFlash and UNI/O are registered trademarks of Microchip Technology Incorporated in the U.S.A. and other countries.

FilterLab, Hampshire, HI-TECH C, Linear Active Thermistor, MTP, SEEVAL and The Embedded Control Solutions Company are registered trademarks of Microchip Technology Incorporated in the U.S.A.

Silicon Storage Technology is a registered trademark of Microchip Technology Inc. in other countries.

Analog-for-the-Digital Age, Application Maestro, BodyCom, chipKIT, chipKIT logo, CodeGuard, dsPICDEM, dsPICDEM.net, dsPICworks, dsSPEAK, ECAN, ECONOMONITOR, FanSense, HI-TIDE, In-Circuit Serial Programming, ICSP, Mindi, MiWi, MPASM, MPF, MPLAB Certified logo, MPLIB, MPLINK, mTouch, Omniscent Code Generation, PICC, PICC-18, PICDEM, PICDEM.net, PICkit, PICtail, REAL ICE, rLAB, Select Mode, SQI, Serial Quad I/O, Total Endurance, TSHARC, UniWinDriver, WiperLock, ZENA and Z-Scale are trademarks of Microchip Technology Incorporated in the U.S.A. and other countries.

SQTP is a service mark of Microchip Technology Incorporated in the U.S.A.

GestIC and ULPP are registered trademarks of Microchip Technology Germany II GmbH & Co. KG, a subsidiary of Microchip Technology Inc., in other countries.

All other trademarks mentioned herein are property of their respective companies.

© 2014, Microchip Technology Incorporated, Printed in the U.S.A., All Rights Reserved.

 Printed on recycled paper.

ISBN:

**QUALITY MANAGEMENT SYSTEM  
CERTIFIED BY DNV  
= ISO/TS 16949 =**

*Microchip received ISO/TS-16949:2009 certification for its worldwide headquarters, design and wafer fabrication facilities in Chandler and Tempe, Arizona; Gresham, Oregon and design centers in California and India. The Company's quality system processes and procedures are for its PIC<sup>®</sup> MCUs and dsPIC<sup>®</sup> DSCs, KEELOQ<sup>®</sup> code hopping devices, Serial EEPROMs, microperipherals, nonvolatile memory and analog products. In addition, Microchip's quality system for the design and manufacture of development systems is ISO 9001:2000 certified.*

---

---

**Object of Declaration: MCP16331 High-Voltage Input Buck Converter Evaluation Board**

EU Declaration of Conformity

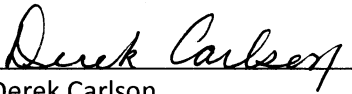
This declaration of conformity is issued by the manufacturer.

The development/evaluation tool is designed to be used for research and development in a laboratory environment. This development/evaluation tool is not a Finished Appliance, nor is it intended for incorporation into Finished Appliances that are made commercially available as single functional units to end users under EU EMC Directive 2004/108/EC and as supported by the European Commission's Guide for the EMC Directive 2004/108/EC (8<sup>th</sup> February 2010).

This development/evaluation tool complies with EU RoHS2 Directive 2011/65/EU.

For information regarding the exclusive, limited warranties applicable to Microchip products, please see Microchip's standard terms and conditions of sale, which are printed on our sales documentation and available at [www.microchip.com](http://www.microchip.com).

Signed for and on behalf of Microchip Technology Inc. at Chandler, Arizona, USA



Derek Carlson

VP Development Tools

16-July-2013

Date

**NOTES:**



# MCP16331 HIGH-VOLTAGE INPUT BUCK CONVERTER EVALUATION BOARD USER'S GUIDE

---

---

## Table of Contents

---

---

|  |           |
|--|-----------|
| <b>Preface</b> .....   | <b>7</b>  |
| Introduction .....   | 7         |
| Document Layout .....  | 7         |
| Conventions Used in this Guide .....   | 8         |
| Recommended Reading .....  | 9         |
| The Microchip Web Site .....   | 9         |
| Customer Support .....   | 9         |
| Document Revision History .....  | 9         |
| <b>Chapter 1. Product Overview</b> .....   | <b>11</b> |
| 1.1 Introduction .....   | 11        |
| 1.2 MCP16331 Short Overview .....  | 11        |
| 1.3 What is the MCP16331 High-Voltage Input Buck Converter<br>Evaluation Board? .....      | 12        |
| 1.4 What the MCP16331 High-Voltage Input Buck Converter<br>Evaluation Board Contains ..... | 12        |
| <b>Chapter 2. Installation and Operation</b> .....   | <b>13</b> |
| 2.1 Introduction .....   | 13        |
| 2.2 Features .....   | 13        |
| 2.3 Getting Started .....  | 14        |
| <b>Appendix A. Schematic and Layouts</b> .....   | <b>17</b> |
| A.1 Introduction .....   | 17        |
| A.2 Board – Schematic .....  | 18        |
| A.3 Board – Top Silk .....   | 19        |
| A.4 Board – Top Silk And Copper .....  | 20        |
| A.5 Board – Bottom Copper .....  | 21        |
| A.6 Board – Bottom Copper and Silk .....   | 22        |
| <b>Appendix B. Bill of Materials (BOM)</b> .....   | <b>23</b> |
| <b>Worldwide Sales and Service</b> .....   | <b>24</b> |

NOTES:



# MCP16331 HIGH-VOLTAGE INPUT BUCK CONVERTER EVALUATION BOARD USER'S GUIDE

---

---

## Preface

---

---

### NOTICE TO CUSTOMERS

All documentation becomes dated, and this manual is no exception. Microchip tools and documentation are constantly evolving to meet customer needs, so some actual dialogs and/or tool descriptions may differ from those in this document. Please refer to our web site ([www.microchip.com](http://www.microchip.com)) to obtain the latest documentation available.

Documents are identified with a “DS” number. This number is located on the bottom of each page, in front of the page number. The numbering convention for the DS number is “DSXXXXXXXXA”, where “XXXXXXXX” is the document number and “A” is the revision level of the document.

For the most up-to-date information on development tools, see the MPLAB® IDE online help. Select the Help menu, and then Topics to open a list of available online help files.

## INTRODUCTION

This chapter contains general information that will be useful to know before using the MCP16331 High-Voltage Input Buck Converter Evaluation Board. Items discussed in this chapter include:

- Document Layout
- Conventions Used in this Guide
- Recommended Reading
- The Microchip Web Site
- Customer Support
- Document Revision History

## DOCUMENT LAYOUT

This document describes how to use the MCP16331 High-Voltage Input Buck Converter Evaluation Board as a development tool. The manual layout is as follows:

- **Chapter 1. “Product Overview”** – Important information about the MCP16331 High-Voltage Input Buck Converter Evaluation Board.
- **Chapter 2. “Installation and Operation”** – Includes instructions on how to get started with this user’s guide and a description of the user’s guide.
- **Appendix A. “Schematic and Layouts”** – Shows the schematic and layout diagrams for the MCP16331 High-Voltage Input Buck Converter Evaluation Board.
- **Appendix B. “Bill of Materials (BOM)”** – Lists the parts used to build the MCP16331 High-Voltage Input Buck Converter Evaluation Board.

## CONVENTIONS USED IN THIS GUIDE

This manual uses the following documentation conventions:

### DOCUMENTATION CONVENTIONS

| Description                                      | Represents  | Examples  |
|--|---|---|
| <b>Arial font:</b>                               |   |   |
| Italic characters                                | Referenced books  | <i>MPLAB<sup>®</sup> IDE User's Guide</i>                   |
|  | Emphasized text   | ...is the <i>only</i> compiler...                           |
| Initial caps                                     | A window  | the Output window   |
|  | A dialog  | the Settings dialog   |
|  | A menu selection  | select Enable Programmer                                    |
| Quotes   | A field name in a window or dialog  | "Save project before build"                                 |
| Underlined, italic text with right angle bracket | A menu path   | <u><i>File&gt;Save</i></u>                                  |
| Bold characters                                  | A dialog button   | Click <b>OK</b>   |
|  | A tab   | Click the <b>Power</b> tab                                  |
| N'Rnnnn  | A number in verilog format, where N is the total number of digits, R is the radix and n is a digit. | 4'b0010, 2'hF1  |
| Text in angle brackets < >                       | A key on the keyboard   | Press <Enter>, <F1>   |
| <b>Courier New font:</b>                         |   |   |
| Plain Courier New                                | Sample source code  | #define START   |
|  | Filenames   | autoexec.bat  |
|  | File paths  | c:\mcc18\h  |
|  | Keywords  | _asm, _endasm, static                                       |
|  | Command-line options  | -Opa+, -Opa-  |
|  | Bit values  | 0, 1  |
|  | Constants   | 0xFF, 'A'   |
| Italic Courier New                               | A variable argument   | <i>file.o</i> , where <i>file</i> can be any valid filename |
| Square brackets [ ]                              | Optional arguments  | mcc18 [options] <i>file</i><br>[options]                    |
| Curly brackets and pipe character: {   }         | Choice of mutually exclusive arguments; an OR selection   | errorlevel {0 1}  |
| Ellipses...                                      | Replaces repeated text  | var_name [,<br>var_name...]                                 |
|  | Represents code supplied by user  | void main (void)<br>{ ...<br>}                              |



## RECOMMENDED READING

This user's guide describes how to use MCP16331 High-Voltage Input Buck Converter Evaluation Board. Another useful document is listed below. The following Microchip document is available and recommended as a supplemental reference resource:

- **MCP16331 Data Sheet - “High-Voltage Input Integrated Switch Step-Down Regulator” (DS2005308)**

## THE MICROCHIP WEB SITE

Microchip provides online support via our web site at [www.microchip.com](http://www.microchip.com). This web site is used as a means to make files and information easily available to customers. Accessible by using your favorite Internet browser, the web site contains the following information:

- **Product Support** – Data sheets and errata, application notes and sample programs, design resources, user's guides and hardware support documents, latest software releases and archived software
- **General Technical Support** – Frequently Asked Questions (FAQs), technical support requests, online discussion groups, Microchip consultant program member listing
- **Business of Microchip** – Product selector and ordering guides, latest Microchip press releases, listing of seminars and events, listings of Microchip sales offices, distributors and factory representatives

## CUSTOMER SUPPORT

Users of Microchip products can receive assistance through several channels:

- Distributor or Representative
- Local Sales Office
- Field Application Engineer (FAE)
- Technical Support

Customers should contact their distributor, representative or field application engineer (FAE) for support. Local sales offices are also available to help customers. A listing of sales offices and locations is included in the back of this document.

Technical support is available through the web site at:  
<http://www.microchip.com/support>.

## DOCUMENT REVISION HISTORY

### Revision A (June 2014)

- Initial Release of this Document.

**NOTES:**



# MCP16331 HIGH-VOLTAGE INPUT BUCK CONVERTER EVALUATION BOARD USER'S GUIDE

---

---

## Chapter 1. Product Overview

---

---

### 1.1 INTRODUCTION

This chapter provides an overview of the MCP16331 High-Voltage Input Buck Converter Evaluation Board and covers the following topics:

- MCP16331 Short Overview
- What is the MCP16331 High-Voltage Input Buck Converter Evaluation Board?
- What the MCP16331 High-Voltage Input Buck Converter Evaluation Board Contains

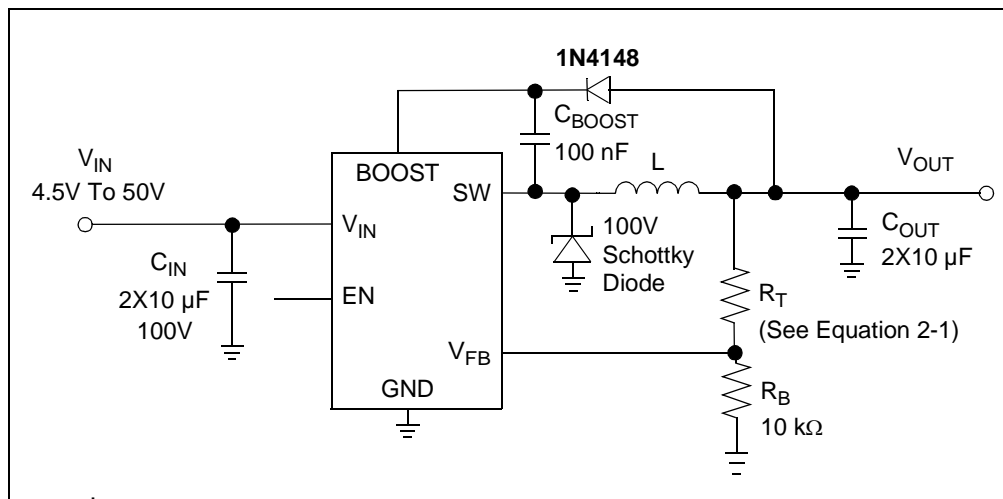
### 1.2 MCP16331 SHORT OVERVIEW

The MCP16331 is a compact, high-voltage, high-efficiency, fixed-frequency, step-down DC-DC converter. The integrated features include a high-side switch, fixed frequency, internal compensation, and overtemperature protection. To deliver a fast response to sudden line and load changes, the MCP16331 uses a high performance peak-current mode control system. This product provides an easy-to-use power supply solution, with a minimum number of external components.

The key features of the MCP16331 include:

- Up to 94% Typical Efficiency
- Input Voltage Range: 4.2V to 50V
- Adjustable Output Voltage Range: 2.0V to 24V
- 2% Output Voltage Accuracy
- Integrated N-Channel Buck Switch: 600 mΩ
- 500 mA Output Current
- 500 kHz Fixed Frequency
- Low Device Shutdown Current
- Peak Current Mode Control
- Internal Compensation
- Internal Soft-Start
- Internal Pull-Up on the EN pin
- Cycle-by-Cycle Peak Current Limit
- Undervoltage Lockout (UVLO): 4.1V to Start, 3.5V to Stop
- Overtemperature Protection: 160°C Thermal Shutdown, with 30°C Hysteresis
- Available Packages: 6-Lead SOT-23, 8-Lead 2x3 TDFN

The goal of the MCP16331 High-Voltage Input Buck Converter Evaluation Board is to demonstrate the features of the MCP16331.



**FIGURE 1-1:** Typical MCP16331 Buck Converter.

### 1.3 WHAT IS THE MCP16331 HIGH-VOLTAGE INPUT BUCK CONVERTER EVALUATION BOARD?

The MCP16331 High-Voltage Input Buck Converter Evaluation Board is used to evaluate and demonstrate Microchip Technology's MCP16331 product. This board demonstrates the MCP16331 in a buck-converter application with two selectable output voltages. It can be used to evaluate the SOT-23 package. Test points are provided for the input and output, allowing the board to be connected directly to a system. Also, additional test points are provided to access the EN pin, in order to modify the state of the converter, and also access the SW pin, in order to see the switching waveform. The MCP16331 High-Voltage Input Buck Converter Evaluation Board was developed to help engineers reduce product design cycle time.

Two common output voltages can be selected, 3.3V and 5.0V.

### 1.4 WHAT THE MCP16331 HIGH-VOLTAGE INPUT BUCK CONVERTER EVALUATION BOARD CONTAINS

This MCP16331 High-Voltage Input Buck Converter Evaluation Board kit includes:

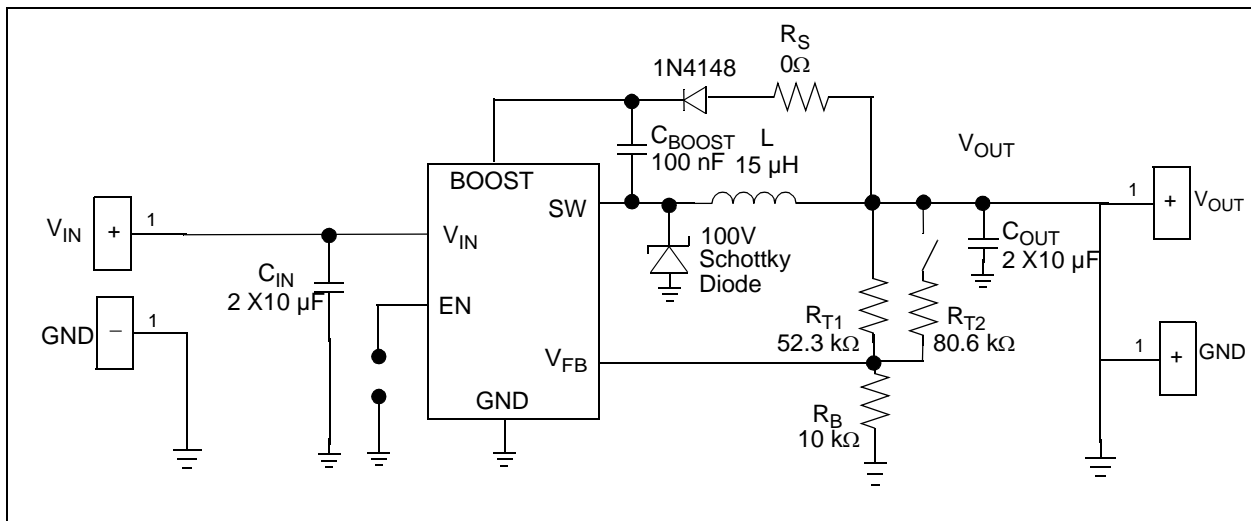
- MCP16331 High-Voltage Input Buck Converter Evaluation Board (ADM00519)
- Important Information Sheet

## Chapter 2. Installation and Operation

### 2.1 INTRODUCTION

The MCP16331 is a compact, high-efficiency, fixed-frequency, step-down DC-DC converter and has been developed to provide high-input voltage applications with a precise low voltage regulated rail.

The MCP16331 is capable of regulating the output voltage over a wide 2V to 24V range from an input rail of up to 50V and typically can deliver over 500 mA. The regulated output voltage,  $V_{OUT}$ , should be lower than the input voltage,  $V_{IN}$ , in order to ensure proper operation.



**FIGURE 2-1:** MCP16331 Evaluation Board Application.

### 2.2 FEATURES

The MCP16331 Buck Converter Evaluation Board has the following features:

- Input voltage range,  $V_{IN}$ : 6V to 50V
- Converter can be turned on/off by using a jumper on the EN/GND connector
- Fixed output voltage: 3.3V and 5.0V selectable through a switch
- Output current: typical 500 mA
- PWM Switching Frequency = 500 kHz
- Internal compensation
- Internal soft-start
- Overtemperature protection (if the die temperature exceeds 150°C, 25°C hysteresis)

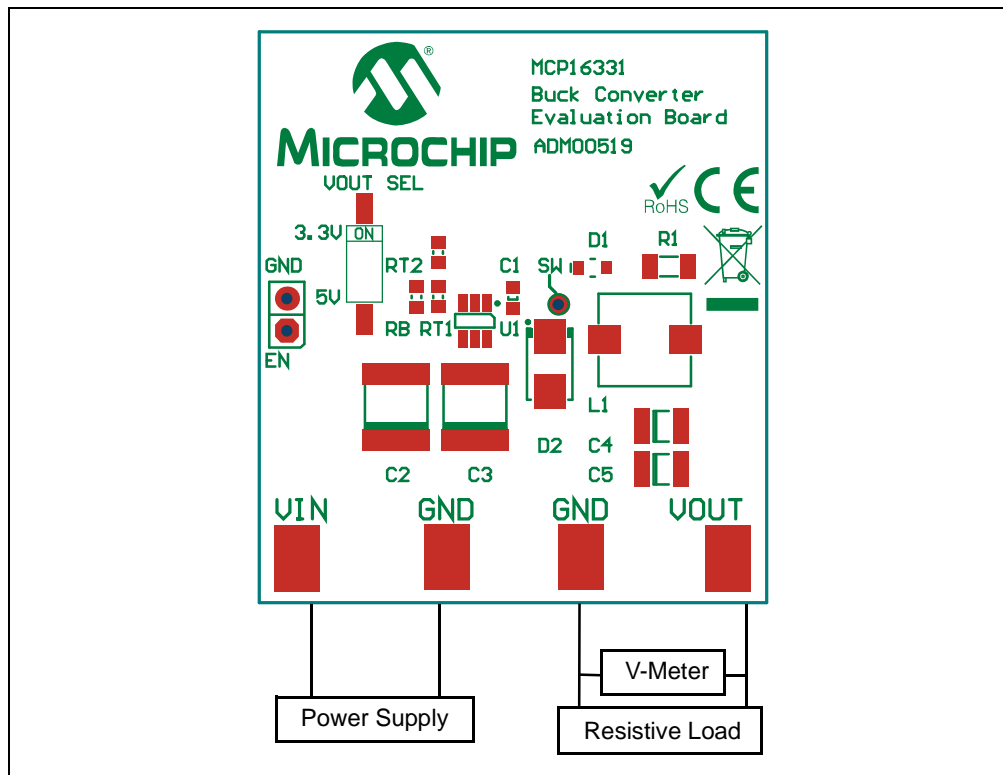
## 2.3 GETTING STARTED

The MCP16331 Buck Converter Evaluation Board is fully assembled and tested to evaluate and demonstrate the MCP16331 product. Before testing the MCP16331 Buck Converter Evaluation Board, it is recommended that the MCP16331 data sheet is read and all the limits for input voltage, output voltage and maximum current are taken into consideration.

### 2.3.1 Power Input and Output Connection

#### 2.3.1.1 BOARD POWER UP PROCEDURE:

1. Connect system load to  $V_{OUT}$  and GND terminals; maximum load varies with input and output voltage; see the MCP16331 data sheet for more information on the maximum load.
2. Connect the Power Supply to the  $V_{IN}$  and GND terminals. Because the EN is internally pulled up, the converter will start once power is applied on the input. To turn off the device, a jumper can be used on the EN/GND connector.
3. The measured output voltage should be 3.3V/5V. Adjusting the input voltage and load should not cause the output to vary more than a few mV over the operating range of the converter.
4. The output voltage can be changed from 3.3V to 5V by using the  $V_{OUT}$  SEL switch on the board.



**FIGURE 2-2:** MCP16331 Evaluation Board Setup.

## 2.3.1.2 ADJUSTABLE $V_{OUT}$ SETTING

The resistor divider  $R_T$  and  $R_B$  is used to set the converter output voltage. For a specific output voltage, the top resistor can be calculated as in [Equation 2-1](#). A good trade-off between noise and quiescent current is to use a 10 k $\Omega$  resistor for the bottom resistor.

### EQUATION 2-1:

$$R_T = R_B \times \left[ \left( \frac{V_{OUT}}{V_{FB}} \right) - 1 \right]$$

Where:  $V_{FB} = 0.8V$

When changing the value of the feedback resistor, the  $V_{OUT}$  SEL switch will not have the same functionality, as it will add an additional resistor in parallel with the top resistor.

Additionally, when modifying the output voltage, the inductor value must be modified in order to get the best results in terms of efficiency and load and line step responses. For typical output voltage, see [Table 2-1](#) for the recommended inductor values.

**TABLE 2-1: RECOMMENDED INDUCTOR VALUES**

| $V_{OUT}$ | Inductor Value |
|-----------|----------------|
| 2.0V      | 10 $\mu H$     |
| 3.3V      | 15 $\mu H$     |
| 5.0V      | 22 $\mu H$     |
| 12V       | 56 $\mu H$     |
| 15V       | 68 $\mu H$     |
| 24V       | 100 $\mu H$    |

Because the MCP16331 integrates the high-side N-Channel MOSFET, a high-side driver is needed to supply the drive for the gate of the MOSFET above the input voltage in order to turn it on. For the MCP16331 Buck Converter Evaluation Board, the output voltage is used to charge the boost capacitor. For output voltages above 5V, the voltage used to charge the boost capacitor needs to be clamped to less than 5V to avoid damaging the part. An easy way to achieve this is to remove the resistor (R1) in series with the bootstrap diode and add a Zener diode of appropriate voltage. For more information, refer to the MCP16331 Data Sheet.

NOTES:





# MCP16331 HIGH-VOLTAGE INPUT BUCK CONVERTER EVALUATION BOARD USER'S GUIDE

---

---

## Appendix A. Schematic and Layouts

---

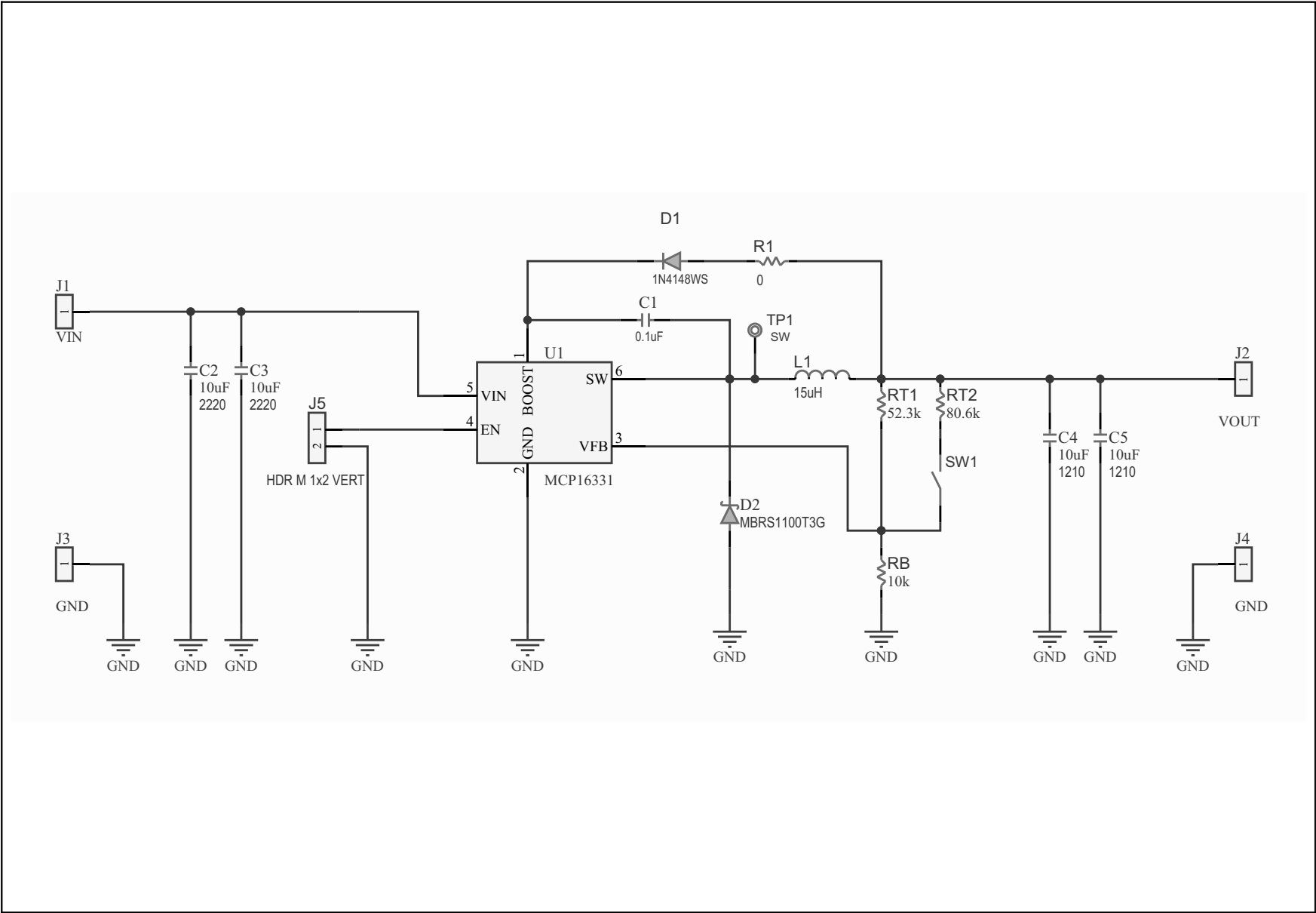
---

### A.1 INTRODUCTION

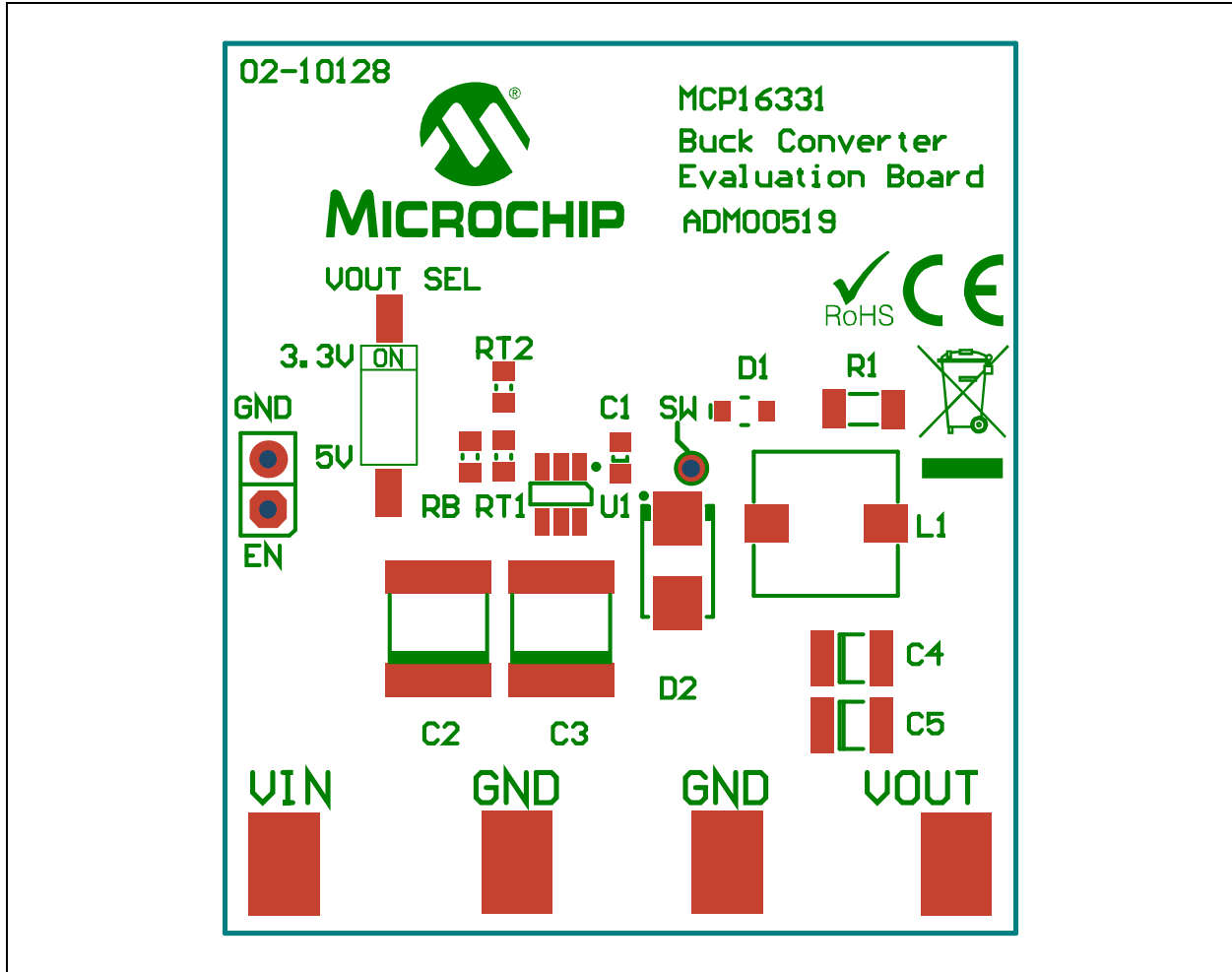
This appendix contains the following schematics and layouts for the MCP16331 Buck Converter Evaluation Board:

- Board – Schematic
- Board – Top Silk
- Board – Top Silk And Copper
- Board – Bottom Copper

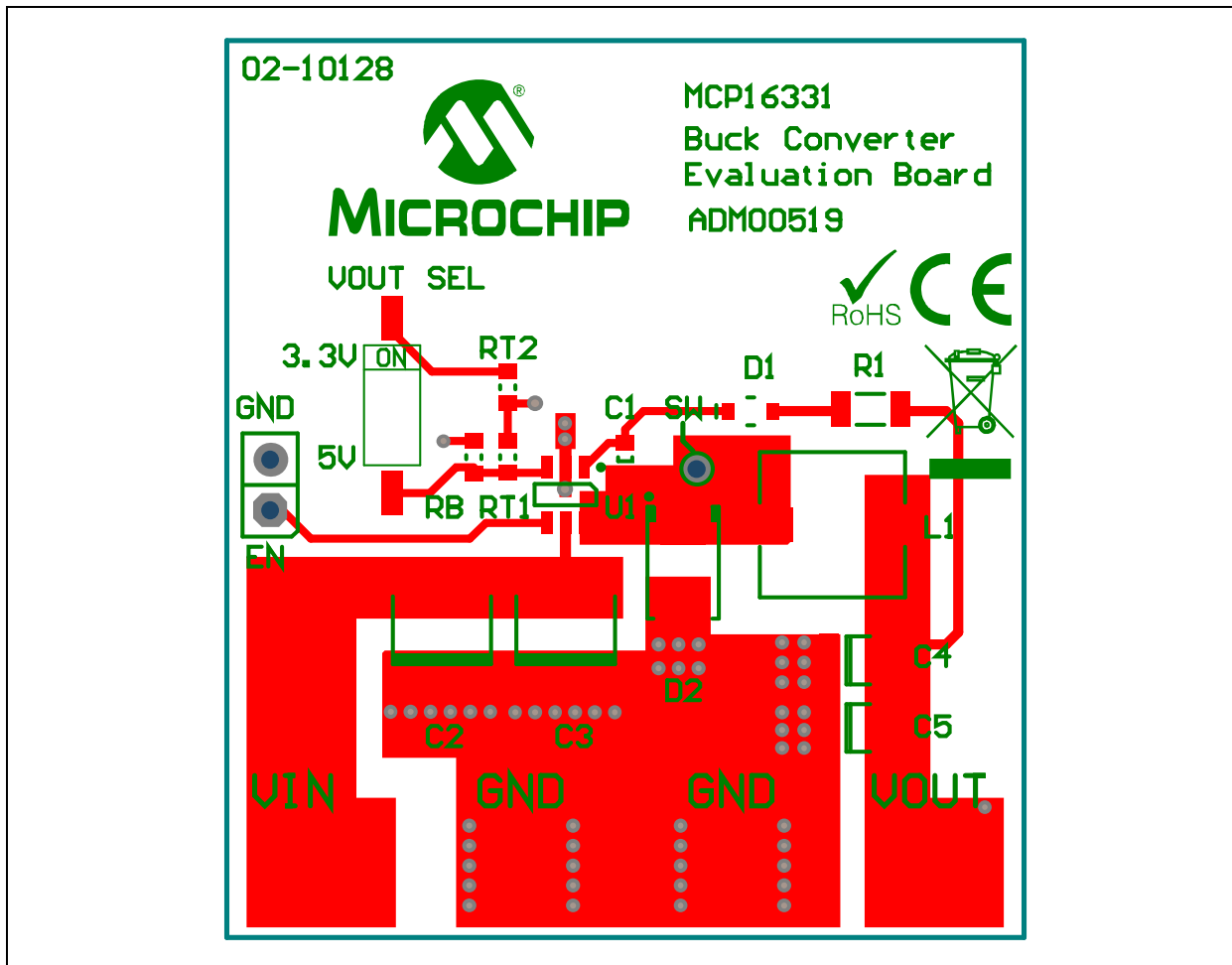
## A.2 BOARD – SCHEMATIC



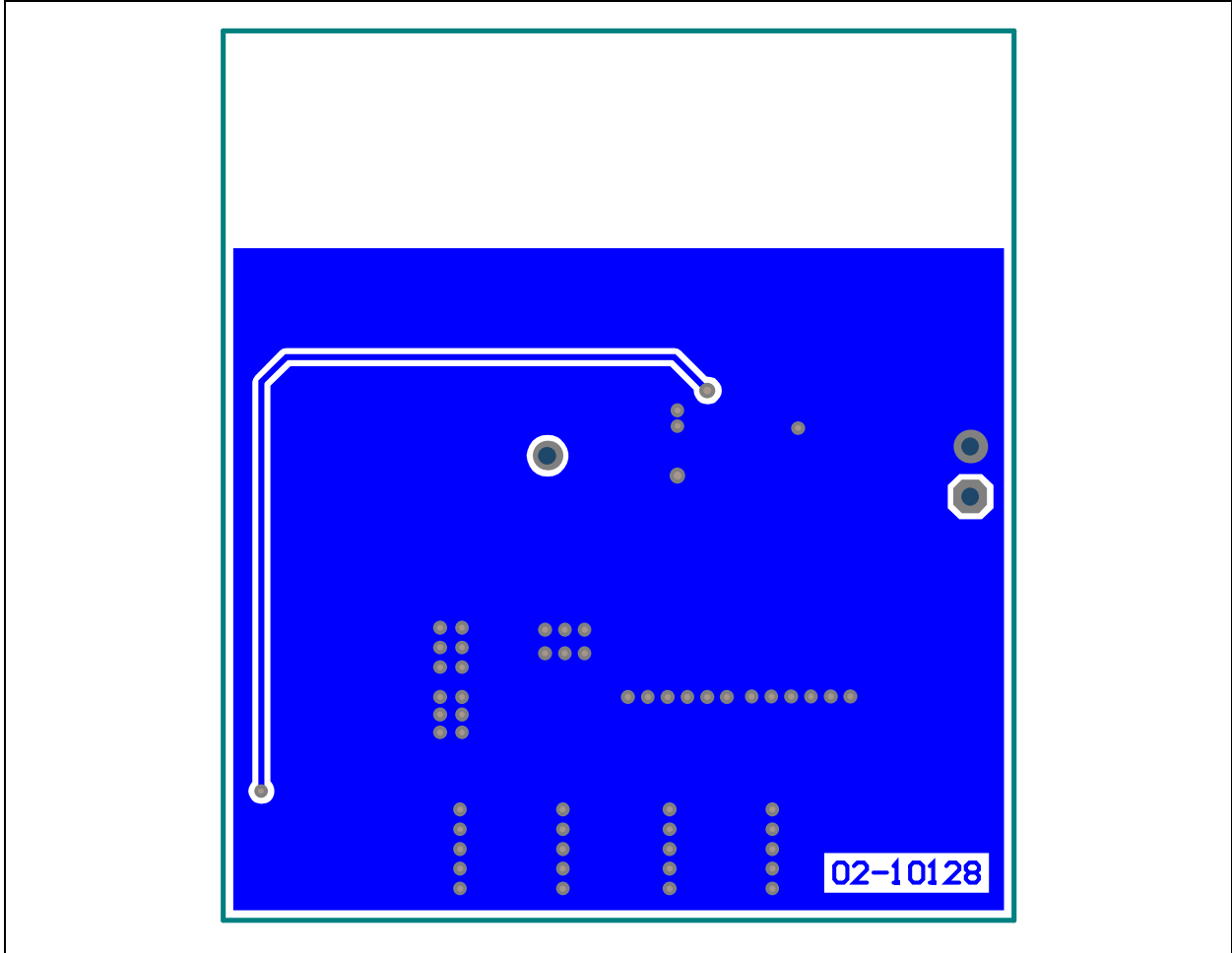
## A.3 BOARD – TOP SILK



A.4 BOARD – TOP SILK AND COPPER



## A.5 BOARD – BOTTOM COPPER



**NOTES:**



# MCP16331 HIGH-VOLTAGE INPUT BUCK CONVERTER EVALUATION BOARD USER'S GUIDE

## Appendix B. Bill of Materials (BOM)

**TABLE B-1: BILL OF MATERIALS (BOM)**

| Qty. | Reference      | Description                               | Manufacturer                      | Part Number           |
|------|----------------|---|-----------------------------------|-----------------------|
| 1    | C1             | Cap. ceramic 0.1 $\mu$ F 50V X7R 10% 0603 | TDK Corporation                   | C1608X7R1H104K        |
| 2    | C2,C3          | Cap. ceramic 10 $\mu$ F 100V X7S 2220     | TDK Corporation                   | C5750X7S2A106M230KB   |
| 2    | C4, C5         | Cap. ceramic 10 $\mu$ F 50V X7S 1210      | TDK Corporation                   | C3225X7S1H106M        |
| 1    | D1             | Diode switch 75V 150 mA SOD323            | Micro Commercial Components Corp. | 1N4148WX-TP           |
| 1    | D2             | Diode Schottky 100V 1A SMB                | ON Semiconductor®                 | MBRS1100T3G           |
| 4    | J1, J2, J3, J4 | PC test point tin SMD                     | Harwin Plc.                       | S1751-46R             |
| 1    | L1             | Choke, SMD, 15 $\mu$ H                    | Würth Elektronik Group            | 7447779115            |
| 1    | R1             | Res. 0.0 $\Omega$ 1/4W jump 1206 SMD      | Panasonic® ECG                    | ERJ-8GEY0R00V         |
| 1    | RB             | Res. 10 k $\Omega$ 1/10W 1% 0603 SMD      | Panasonic ECG                     | ERJ-3EKF1002V         |
| 1    | REN            | Res. 1 M $\Omega$ 1/10W 1% 0603 SMD       | Panasonic ECG                     | ERJ-3EKF1004V         |
| 1    | RT1            | Res. 52.3 k $\Omega$ 1/10W 1% 0603 SMD    | Panasonic ECG                     | ERA-3AEB5232V         |
| 1    | RT2            | Res. 80.6 k $\Omega$ 1/10W 1% 0603 SMD    | Panasonic ECG                     | ERJ-3EKF80R6V         |
| 2    | SW1, SW2       | 2.54 mm SW_SMD_DIP                        | Würth® Group                      | 418121270801          |
| 1    | U1             | High-Voltage Input Buck Converter         | Microchip Technology Inc.         | <b>MCP16331T-E/CH</b> |

**Note 1:** The components listed in this Bill of Materials are representative of the PCB assembly. The released BOM used in manufacturing uses all RoHS-compliant components.



# MICROCHIP

## Worldwide Sales and Service

### AMERICAS

**Corporate Office**  
2355 West Chandler Blvd.  
Chandler, AZ 85224-6199  
Tel: 480-792-7200  
Fax: 480-792-7277  
Technical Support:  
<http://www.microchip.com/support>  
Web Address:  
[www.microchip.com](http://www.microchip.com)

**Atlanta**  
Duluth, GA  
Tel: 678-957-9614  
Fax: 678-957-1455

**Austin, TX**  
Tel: 512-257-3370

**Boston**  
Westborough, MA  
Tel: 774-760-0087  
Fax: 774-760-0088

**Chicago**  
Itasca, IL  
Tel: 630-285-0071  
Fax: 630-285-0075

**Cleveland**  
Independence, OH  
Tel: 216-447-0464  
Fax: 216-447-0643

**Dallas**  
Addison, TX  
Tel: 972-818-7423  
Fax: 972-818-2924

**Detroit**  
Novi, MI  
Tel: 248-848-4000

**Houston, TX**  
Tel: 281-894-5983

**Indianapolis**  
Noblesville, IN  
Tel: 317-773-8323  
Fax: 317-773-5453

**Los Angeles**  
Mission Viejo, CA  
Tel: 949-462-9523  
Fax: 949-462-9608

**New York, NY**  
Tel: 631-435-6000

**San Jose, CA**  
Tel: 408-735-9110

**Canada - Toronto**  
Tel: 905-673-0699  
Fax: 905-673-6509

### ASIA/PACIFIC

**Asia Pacific Office**  
Suites 3707-14, 37th Floor  
Tower 6, The Gateway  
Harbour City, Kowloon  
Hong Kong  
Tel: 852-2943-5100  
Fax: 852-2401-3431

**Australia - Sydney**  
Tel: 61-2-9868-6733  
Fax: 61-2-9868-6755

**China - Beijing**  
Tel: 86-10-8569-7000  
Fax: 86-10-8528-2104

**China - Chengdu**  
Tel: 86-28-8665-5511  
Fax: 86-28-8665-7889

**China - Chongqing**  
Tel: 86-23-8980-9588  
Fax: 86-23-8980-9500

**China - Hangzhou**  
Tel: 86-571-8792-8115  
Fax: 86-571-8792-8116

**China - Hong Kong SAR**  
Tel: 852-2943-5100  
Fax: 852-2401-3431

**China - Nanjing**  
Tel: 86-25-8473-2460  
Fax: 86-25-8473-2470

**China - Qingdao**  
Tel: 86-532-8502-7355  
Fax: 86-532-8502-7205

**China - Shanghai**  
Tel: 86-21-5407-5533  
Fax: 86-21-5407-5066

**China - Shenyang**  
Tel: 86-24-2334-2829  
Fax: 86-24-2334-2393

**China - Shenzhen**  
Tel: 86-755-8864-2200  
Fax: 86-755-8203-1760

**China - Wuhan**  
Tel: 86-27-5980-5300  
Fax: 86-27-5980-5118

**China - Xian**  
Tel: 86-29-8833-7252  
Fax: 86-29-8833-7256

**China - Xiamen**  
Tel: 86-592-2388138  
Fax: 86-592-2388130

**China - Zhuhai**  
Tel: 86-756-3210040  
Fax: 86-756-3210049

### ASIA/PACIFIC

**India - Bangalore**  
Tel: 91-80-3090-4444  
Fax: 91-80-3090-4123

**India - New Delhi**  
Tel: 91-11-4160-8631  
Fax: 91-11-4160-8632

**India - Pune**  
Tel: 91-20-3019-1500

**Japan - Osaka**  
Tel: 81-6-6152-7160  
Fax: 81-6-6152-9310

**Japan - Tokyo**  
Tel: 81-3-6880-3770  
Fax: 81-3-6880-3771

**Korea - Daegu**  
Tel: 82-53-744-4301  
Fax: 82-53-744-4302

**Korea - Seoul**  
Tel: 82-2-554-7200  
Fax: 82-2-558-5932 or  
82-2-558-5934

**Malaysia - Kuala Lumpur**  
Tel: 60-3-6201-9857  
Fax: 60-3-6201-9859

**Malaysia - Penang**  
Tel: 60-4-227-8870  
Fax: 60-4-227-4068

**Philippines - Manila**  
Tel: 63-2-634-9065  
Fax: 63-2-634-9069

**Singapore**  
Tel: 65-6334-8870  
Fax: 65-6334-8850

**Taiwan - Hsin Chu**  
Tel: 886-3-5778-366  
Fax: 886-3-5770-955

**Taiwan - Kaohsiung**  
Tel: 886-7-213-7830

**Taiwan - Taipei**  
Tel: 886-2-2508-8600  
Fax: 886-2-2508-0102

**Thailand - Bangkok**  
Tel: 66-2-694-1351  
Fax: 66-2-694-1350

### EUROPE

**Austria - Wels**  
Tel: 43-7242-2244-39  
Fax: 43-7242-2244-393

**Denmark - Copenhagen**  
Tel: 45-4450-2828  
Fax: 45-4485-2829

**France - Paris**  
Tel: 33-1-69-53-63-20  
Fax: 33-1-69-30-90-79

**Germany - Dusseldorf**  
Tel: 49-2129-3766400

**Germany - Munich**  
Tel: 49-89-627-144-0  
Fax: 49-89-627-144-44

**Germany - Pforzheim**  
Tel: 49-7231-424750

**Italy - Milan**  
Tel: 39-0331-742611  
Fax: 39-0331-466781

**Italy - Venice**  
Tel: 39-049-7625286

**Netherlands - Drunen**  
Tel: 31-416-690399  
Fax: 31-416-690340

**Poland - Warsaw**  
Tel: 48-22-3325737

**Spain - Madrid**  
Tel: 34-91-708-08-90  
Fax: 34-91-708-08-91

**Sweden - Stockholm**  
Tel: 46-8-5090-4654

**UK - Wokingham**  
Tel: 44-118-921-5800  
Fax: 44-118-921-5820

03/25/14



# Mouser Electronics

Authorized Distributor

Click to View Pricing, Inventory, Delivery & Lifecycle Information:

[Microchip:](#)

[ADM00519](#)

Компания «Life Electronics» занимается поставками электронных компонентов импортного и отечественного производства от производителей и со складов крупных дистрибьюторов Европы, Америки и Азии.

С конца 2013 года компания активно расширяет линейку поставок компонентов по направлению коаксиальный кабель, кварцевые генераторы и конденсаторы (керамические, пленочные, электролитические), за счёт заключения дистрибьюторских договоров

Мы предлагаем:

- Конкурентоспособные цены и скидки постоянным клиентам.
- Специальные условия для постоянных клиентов.
- Подбор аналогов.
- Поставку компонентов в любых объемах, удовлетворяющих вашим потребностям.
- Приемлемые сроки поставки, возможна ускоренная поставка.
- Доставку товара в любую точку России и стран СНГ.
- Комплексную поставку.
- Работу по проектам и поставку образцов.
- Формирование склада под заказчика.
- Сертификаты соответствия на поставляемую продукцию (по желанию клиента).
- Тестирование поставляемой продукции.
- Поставку компонентов, требующих военную и космическую приемку.
- Входной контроль качества.
- Наличие сертификата ISO.

В составе нашей компании организован Конструкторский отдел, призванный помогать разработчикам, и инженерам.

Конструкторский отдел помогает осуществить:

- Регистрацию проекта у производителя компонентов.
- Техническую поддержку проекта.
- Защиту от снятия компонента с производства.
- Оценку стоимости проекта по компонентам.
- Изготовление тестовой платы монтаж и пусконаладочные работы.



Тел: +7 (812) 336 43 04 (многоканальный)

Email: [org@lifeelectronics.ru](mailto:org@lifeelectronics.ru)