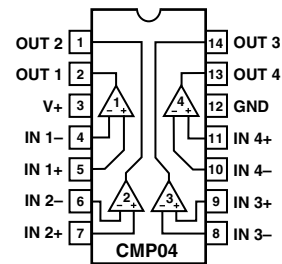


FEATURES

- High Gain: 200 V/mV Typ
- Single- or Dual-Supply Operation
- Input Voltage Range Includes Ground
- Low Power Consumption (1.5 mW/Comparator)
- Low Input Bias Current: 100 nA Max
- Low Input Offset Current: 10 nA Max
- Low Offset Voltage: 1 mV Max
- Low Output Saturation Voltage: 250 mV @ 4 mA
- Logic Output Compatible with TTL, DTL, ECL, MOS, and CMOS
- Directly Replaces LM139/LM239/LM339 Comparators

PIN CONNECTIONS

14-Lead SOIC



GENERAL DESCRIPTION

Four precision independent comparators comprise the CMP04. Performance highlights include a very low offset voltage, low output saturation voltage, and high gain in a single-supply design. The input voltage range includes ground for single-supply operation and V^- for split supplies. A low power supply current of 2 mA, which is independent of supply voltage, makes this the preferred comparator for precision applications requiring minimal power consumption. Maximum logic interface flexibility is offered by the open-collector TTL output.

TYPICAL INTERFACE

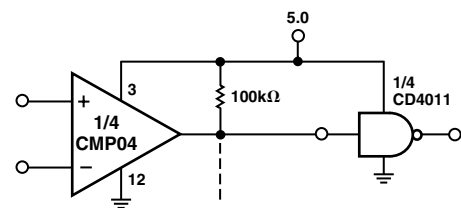


Figure 2a. Driving CMOS

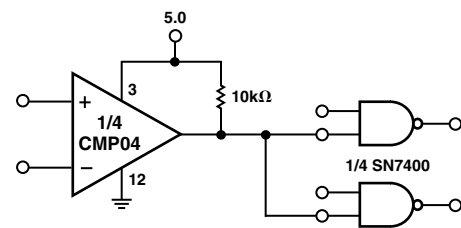


Figure 2b. Driving TTL

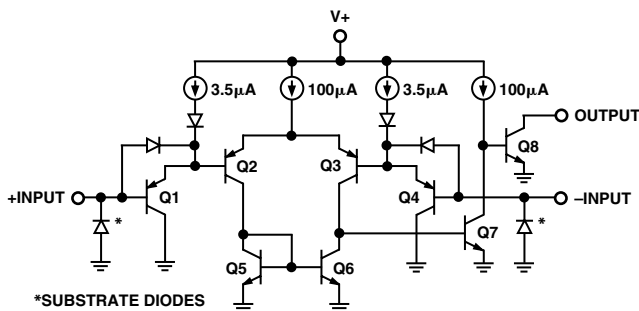


Figure 1. Simplified Schematic (1/4 CMP04)

REV. D

Information furnished by Analog Devices is believed to be accurate and reliable. However, no responsibility is assumed by Analog Devices for its use, nor for any infringements of patents or other rights of third parties that may result from its use. No license is granted by implication or otherwise under any patent or patent rights of Analog Devices. Trademarks and registered trademarks are the property of their respective companies.

CMP04—SPECIFICATIONS

ELECTRICAL CHARACTERISTICS (@ V+ = 5 V, T_A = 25°C, unless otherwise noted.)

| Parameter | Symbol | Conditions | Min | Typ | Max | Unit |
|------------------------------|-------------------|--|-----|-----|----------|------|
| Input Offset Voltage | V _{OS} | R _S = 0 Ω, R _L = 5.1 kΩ, V _O = 1.4 V ¹ | | 0.4 | 1 | mV |
| Input Offset Current | I _{OS} | I _{IN(+)} - I _{IN(-)} , R _L = 5.1 kΩ, V _O = 1.4 V | | 2 | 10 | nA |
| Input Bias Current | I _B | I _{IN(+)} or I _{IN(-)} | | 25 | 100 | nA |
| Voltage Gain | A _V | R _L ≥ 15 kΩ, V+ = 15 V ² | 80 | 200 | | V/mV |
| Large Signal Response Time | t _r | V _{IN} = TTL Logic Swing, V _{REF} = 1.4 V ³ V _{RL} = 5 V, R _L = 5.1 kΩ | | 300 | | ns |
| Small Signal Response Time | t _r | V _{IN} = 100 mV Step ³ , 5 mV Overdrive V _{RL} = 5 V, R _L = 5.1 kΩ | | 1.3 | | μs |
| Input Voltage Range | CMVR | Note 4 | 0 | | V+ - 1.5 | V |
| Common-Mode Rejection Ratio | CMRR | Notes 2, 5 | 80 | 100 | | dB |
| Power Supply Rejection Ratio | PSRR | V+ = 5 V to 18 V ² | 80 | 100 | | dB |
| Saturation Voltage | V _{OL} | V _{IN(-)} ≥ 1 V, V _{IN(+)} = 0, I _{SINK} ≤ 4 mA | | 250 | 400 | mV |
| Output Sink Current | I _{SINK} | V _{IN(-)} ≥ 1 V, V _{IN(+)} = 0, V _O ≤ 1.5 V | 6 | 16 | | mA |
| Output Leakage Current | I _{LEAK} | V _{IN(+)} ≥ 1 V, V _{IN(-)} = 0, V _O = 30 V | | 0.1 | 100 | nA |
| Supply Current | I+ | R _L = ∞, All Comps V+ = 30 V | | 0.8 | 2.0 | mA |

NOTES

¹At output switch point, V_O = 1.4 V, R_S = 0 Ω with V+ from 5 V, and over the full input common-mode range (0 V to V+ - 1.5 V).

²Guaranteed by design.

³Sample tested.

⁴The input common-mode voltage or input signal voltage should not be allowed to go negative by more than 0.3 V. The upper end of the common-mode voltage range is V+ - 1.5 V, but either or both inputs can go to 30 V without damage.

⁵R_L ≥ 15 kΩ, V+ = 15 V, V_{CM} = 1.5 V to 13.5 V.

Specifications subject to change without notice.

ABSOLUTE MAXIMUM RATINGS¹

| | |
|--|-----------------|
| Supply Voltage | +36 V or ±18 V |
| Differential Input Voltage | 36 V dc |
| Input Voltage | -0.3 V to +36 V |
| Operating Temperature Range | |
| CMP04FS | -40°C to +85°C |
| Junction Temperature (T _J) | -65°C to +150°C |
| Storage Temperature Range | -65°C to +150°C |
| Input Current (V _{IN} < -3.0 V) | 50 mA |
| Output Short Circuit to GND | Continuous |
| Lead Temperature (Soldering, 60 sec) | 300°C |

| Package Type | θ _{JA} ² | θ _{JC} | Unit |
|--------------|------------------------------|-----------------|------|
| 14-Lead SOIC | 120 | 36 | °C/W |

NOTES

¹Absolute maximum ratings apply to both DICE and packaged parts, unless otherwise noted. Stresses above those listed under Absolute Maximum Ratings may cause permanent damage to the device. This is a stress rating only; functional operation of the device at these or any other conditions above those listed in the operational sections of this specification is not implied. Exposure to absolute maximum rating conditions for extended periods may affect device reliability.

²θ_{JA} is specified for worst-case mounting conditions, i.e., θ_{JA} is specified for device soldered to printed circuit board for SOIC package.

ORDERING GUIDE

| Model | T _A = 25°C V _{OS} | Temperature Ranges | Package Descriptions | Package Options |
|---------|--|--------------------|----------------------|-----------------|
| CMP04FS | 1 mV | -40°C to +85°C | 14-Lead SOIC | R-14 |

CAUTION

ESD (electrostatic discharge) sensitive device. Electrostatic charges as high as 4000 V readily accumulate on the human body and test equipment and can discharge without detection. Although the CMP04 features proprietary ESD protection circuitry, permanent damage may occur on devices subjected to high energy electrostatic discharges. Therefore, proper ESD precautions are recommended to avoid performance degradation or loss of functionality.



ELECTRICAL CHARACTERISTICS (@ $V_+ = 5\text{ V}$, $-40^\circ\text{C} \leq T_A \leq +85^\circ\text{C}$ for CMP04FS, unless otherwise noted.)

| Parameter | Symbol | Conditions | CMP04F ¹ | | | Unit |
|------------------------------|------------|--|---------------------|-----|-------------|---------------|
| | | | Min | Typ | Max | |
| Input Offset Voltage | V_{OS} | $R_S = 0\ \Omega$, $R_L = 5.1\ \text{k}\Omega$ | | 1 | 2 | mV |
| | | $V_O = 1.4\ \text{V}^2$ | | 1 | 2 | mV |
| Input Offset Current | I_{OS} | $I_{IN(+)} - I_{IN(-)}$ | | 4 | 20 | nA |
| | | $R_L = 5.1\ \text{k}\Omega$ | | 4 | 20 | nA |
| | | $V_O = 1.4\ \text{V}$ | | 4 | 20 | nA |
| | | | | 4 | 20 | nA |
| Input Bias Current | I_B | $I_{IN(+)}$ or $I_{IN(-)}$ | | 40 | 200 | nA |
| Voltage Gain | A_V | $R_L \geq 15\ \text{k}\Omega$, $V_+ = 15\ \text{V}^3$ | 70 | 125 | | V/mV |
| Large Signal Response Time | t_r | $V_{IN} = \text{TTL Logic Swing}$ | | 300 | | ns |
| | | $V_{REF} = 1.4\ \text{V}^4$ | | 300 | | ns |
| | | $V_{RL} = 5\ \text{V}$, $R_L = 5.1\ \text{k}\Omega$ | | 300 | | ns |
| Small Signal Response Time | t_r | $V_{IN} = 100\ \text{mV Step}^4$ | | 1.3 | | μs |
| | | 5 mV Overdrive | | 1.3 | | μs |
| | | $V_{RL} = 5\ \text{V}$, $R_L = 5.1\ \text{k}\Omega$ | | 1.3 | | μs |
| | | | | 1.3 | | μs |
| Input Voltage Range | CMVR | Note 5 | 0 | | $V_+ - 1.5$ | V |
| Common-Mode Rejection Ratio | CMRR | Notes 1, 3 | 60 | 100 | | dB |
| Power Supply Rejection Ratio | PSRR | $V_+ = 5\ \text{V}$ to $18\ \text{V}$ | 80 | 100 | | dB |
| Saturation Voltage | V_{OL} | $V_{IN(-)} \geq 1\ \text{V}$, $V_{IN(+)} = 0$, | | 250 | 700 | mV |
| | | $I_{SINK} \leq 4\ \text{mA}$ | | 250 | 700 | mV |
| Output Sink Current | I_{SINK} | $V_{IN(-)} \geq 1\ \text{V}$, | 5 | 16 | | mA |
| | | $V_{IN(+)} = 0$, $V_O \leq 1.5\ \text{V}$ | 5 | 16 | | mA |
| Output Leakage Current | I_{LEAK} | $V_{IN(+)} \geq 1\ \text{V}$, | | 0.1 | 200 | nA |
| | | $V_{IN(-)} = 0$, $V_O = 30\ \text{V}$ | | 0.1 | 200 | nA |
| Supply Current | I_+ | $R_L = \infty$, All Comps | | 1.2 | 3.0 | mA |
| | | $V_+ = 30\ \text{V}$ | | 1.2 | 3.0 | mA |

NOTES

¹ $R_L \geq 15\ \text{k}\Omega$, $V_+ = 15\ \text{V}$, $V_{CM} = 1.5\ \text{V}$ to $13.5\ \text{V}$.

²At output switch point, $V_O = 1.4\ \text{V}$, $R_S = 0\ \Omega$ with V_+ from $5\ \text{V}$; and over the full input common-mode range ($0\ \text{V}$ to $V_+ - 1.5\ \text{V}$).

³Guaranteed by design.

⁴Sample tested.

⁵The input common-mode voltage or input signal voltage should not be allowed to go negative by more than $0.3\ \text{V}$. The upper end of the common-mode voltage range is $V_+ - 1.5\ \text{V}$, but either or both inputs can go to $+30\ \text{V}$ without damage.

Specifications subject to change without notice.

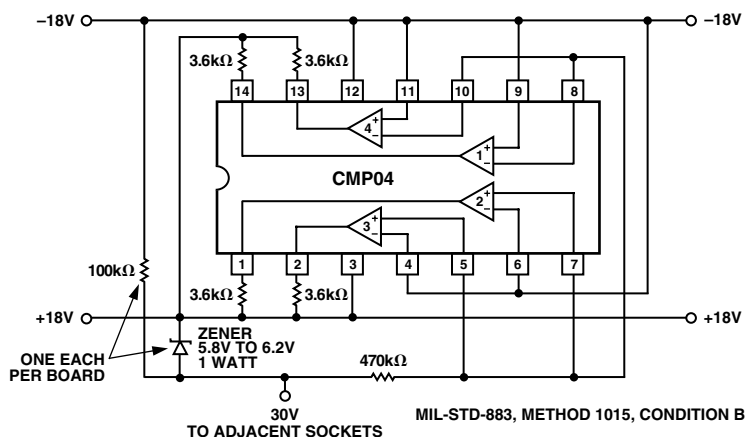
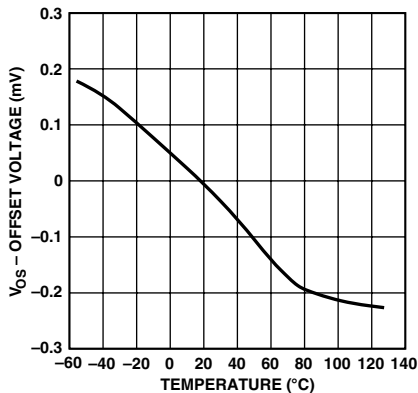
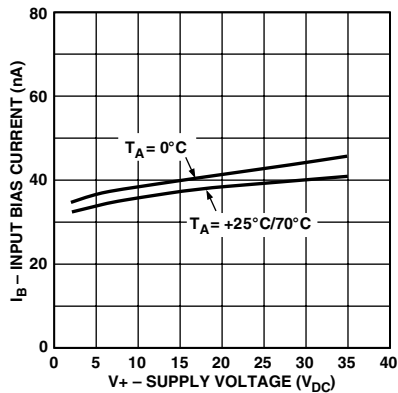


Figure 3. Burn-In Circuit

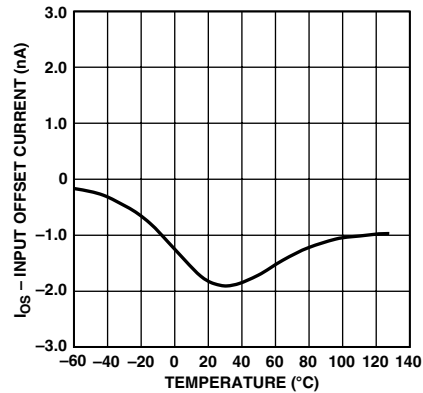
CMP04—Typical Performance Characteristics



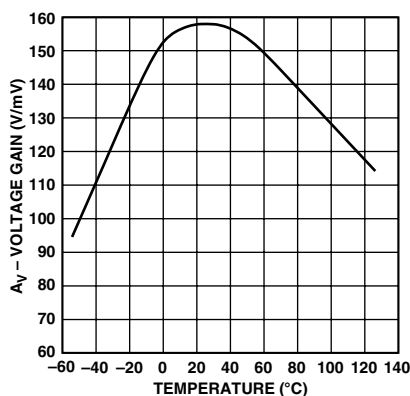
TPC 1. Offset Voltage vs. Temperature



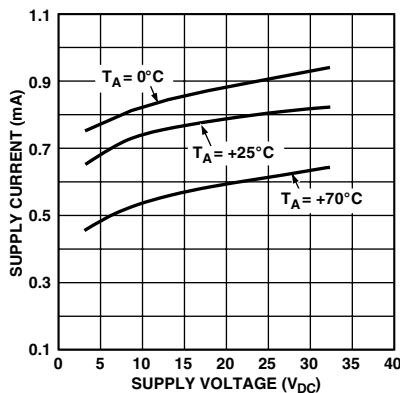
TPC 2. Input Bias Current vs. V+ and Temperature



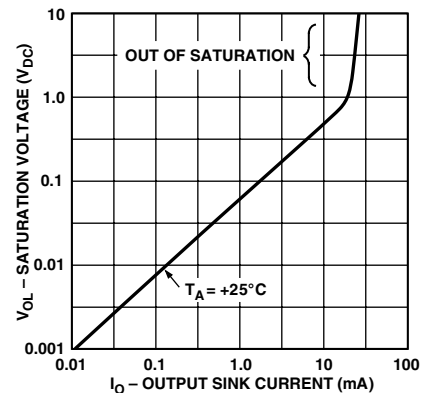
TPC 3. Input Offset Current vs. Temperature



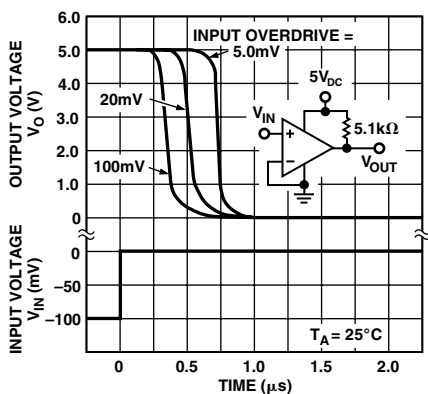
TPC 4. Voltage Gain vs. Temperature



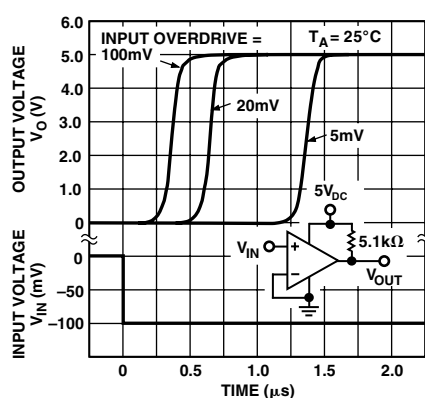
TPC 5. Supply Current vs. Supply Voltage



TPC 6. Output Voltage vs. Output Current and Temperature



TPC 7. Response Time for Various Input Overdrives—Negative Transition



TPC 8. Response Time for Various Input Overdrives—Positive Transition

TYPICAL APPLICATIONS

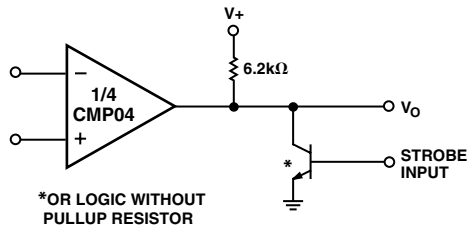


Figure 4. Output Strobing

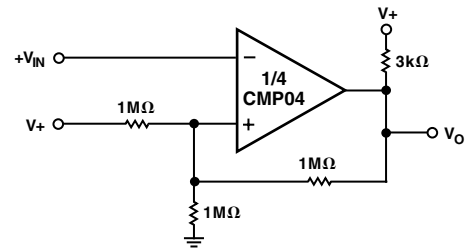


Figure 7. Inverting Comparator with Hysteresis

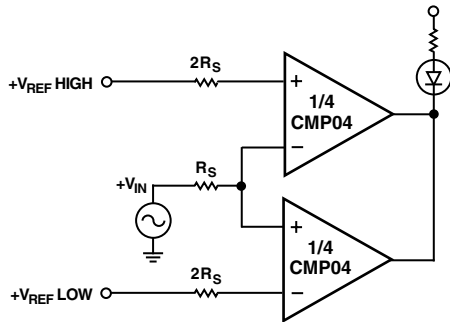


Figure 5. Limit Comparator

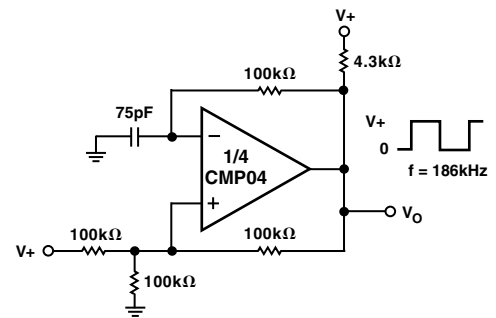


Figure 8. Square Wave Oscillator

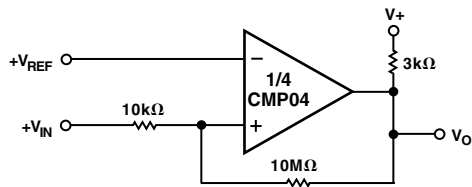


Figure 6. Noninverting Comparator with Hysteresis

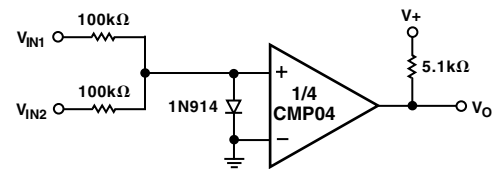


Figure 9. Comparing Input Voltages of Opposite Polarity

CMP04

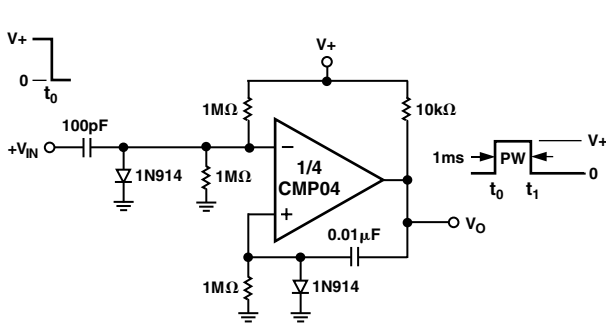


Figure 10. One-Shot Multivibrator

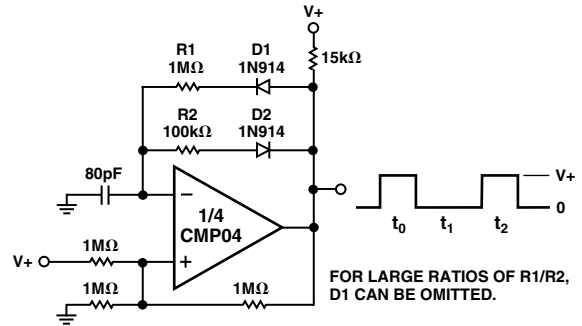


Figure 12. Pulse Generator

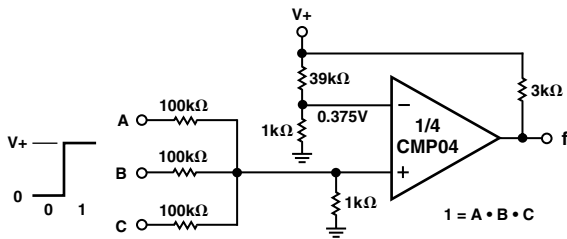


Figure 11. AND Gate

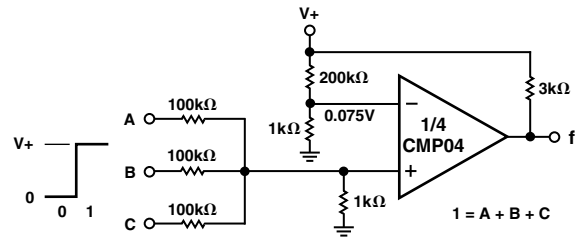


Figure 13. OR Gate

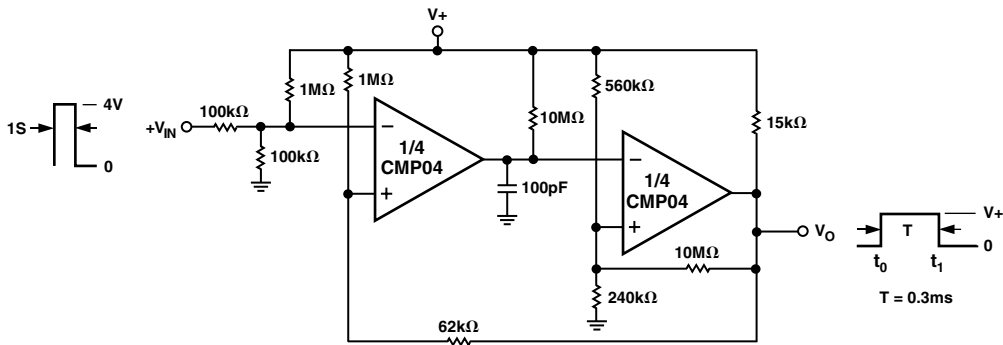


Figure 14. One-Shot Multivibrator with Input Lockout

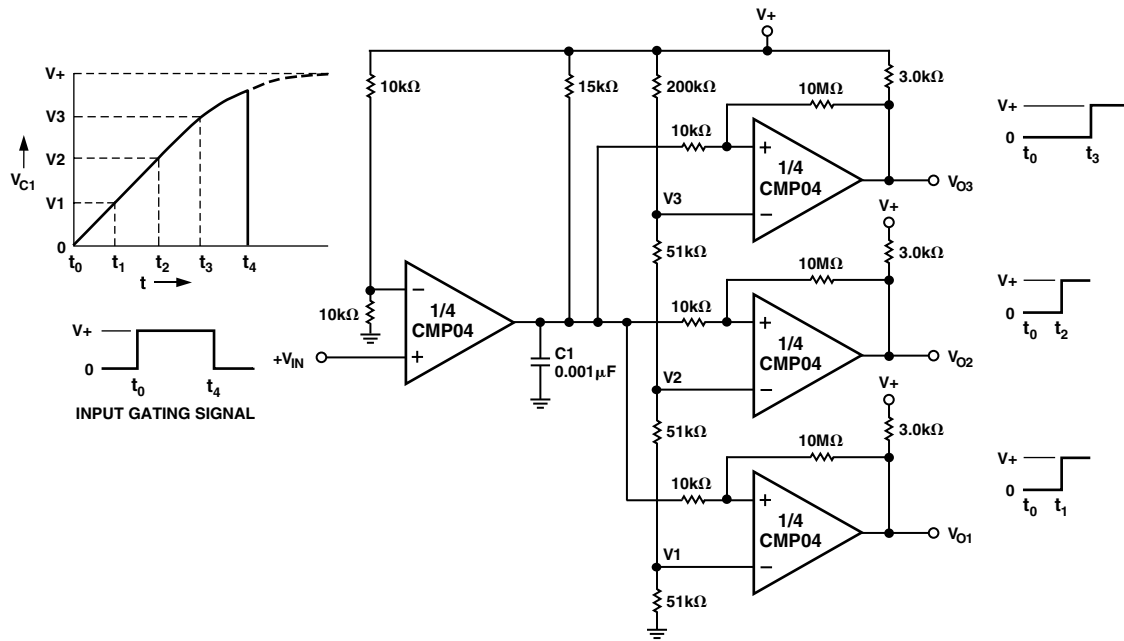
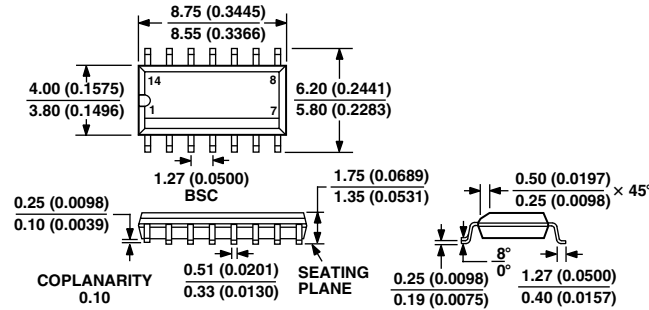


Figure 15. Time Delay Generator

OUTLINE DIMENSIONS

14-Lead Standard Small Outline Package [SOIC]
Narrow Body
(R-14)

Dimensions shown in millimeters and (inches)



COMPLIANT TO JEDEC STANDARDS MS-012AB
CONTROLLING DIMENSIONS ARE IN MILLIMETERS; INCH DIMENSIONS
(IN PARENTHESES) ARE ROUNDED-OFF MILLIMETER EQUIVALENTS FOR
REFERENCE ONLY AND ARE NOT APPROPRIATE FOR USE IN DESIGN

C00266-0-3/03(D)

Revision History

| Location | Page |
|---|--------|
| 3/03—Data Sheet changed from REV. C to REV. D. | |
| Renumbered TPCs and Figures | Global |
| Deletion of 14-Lead Cerdip and 14-Lead PDIP information | Global |
| Changes to FEATURES | 1 |
| Changes to PIN CONNECTIONS | 1 |
| Changes to ABSOLUTE MAXIMUM RATINGS | 2 |
| Changes to ORDERING GUIDE | 2 |
| Changes to ELECTRICAL CHARACTERISTICS | 3 |
| Removal of DICE CHARACTERISTICS, WAFER TEST LIMITS, and TYPICAL ELECTRICAL CHARACTERISTICS sections | 4 |
| Changes to TPCs 2, 5, and 6 | 4 |
| Updated OUTLINE DIMENSIONS | 8 |

Компания «Life Electronics» занимается поставками электронных компонентов импортного и отечественного производства от производителей и со складов крупных дистрибьюторов Европы, Америки и Азии.

С конца 2013 года компания активно расширяет линейку поставок компонентов по направлению коаксиальный кабель, кварцевые генераторы и конденсаторы (керамические, пленочные, электролитические), за счёт заключения дистрибьюторских договоров

Мы предлагаем:

- Конкурентоспособные цены и скидки постоянным клиентам.
- Специальные условия для постоянных клиентов.
- Подбор аналогов.
- Поставку компонентов в любых объемах, удовлетворяющих вашим потребностям.
- Приемлемые сроки поставки, возможна ускоренная поставка.
- Доставку товара в любую точку России и стран СНГ.
- Комплексную поставку.
- Работу по проектам и поставку образцов.
- Формирование склада под заказчика.
- Сертификаты соответствия на поставляемую продукцию (по желанию клиента).
- Тестирование поставляемой продукции.
- Поставку компонентов, требующих военную и космическую приемку.
- Входной контроль качества.
- Наличие сертификата ISO.

В составе нашей компании организован Конструкторский отдел, призванный помогать разработчикам, и инженерам.

Конструкторский отдел помогает осуществить:

- Регистрацию проекта у производителя компонентов.
- Техническую поддержку проекта.
- Защиту от снятия компонента с производства.
- Оценку стоимости проекта по компонентам.
- Изготовление тестовой платы монтаж и пусконаладочные работы.



Тел: +7 (812) 336 43 04 (многоканальный)

Email: org@lifeelectronics.ru