



FCIconnect.com

Copyright FCI.

1

2

Configuration of customer Documents list

| P/N            | Documents | No.      | Title                                   |
|----------------|-----------|----------|---|
| SLW__R/S-5C7LF | SPEC      | SC-SLW04 |   |
|                | DWG       | JSA96303 | CAT NO. TABLE FOR 1mm SPACING CONNECTOR |
|                |           | JSA96304 | 1mm SPACING CONNECTOR                   |
|                |           | JSA96305 | 1mm SPACING CONNECTOR                   |
|                | Cable     | JSA92759 | RECOMMENDED CABLE (CIC)                 |

| P/N            | Documents | No.      | Title                                   |
|----------------|-----------|----------|---|
| SLW__R/S-5A7LF | SPEC      | SC-SLW04 |   |
|                | DWG       | JSA96309 | CAT NO. TABLE FOR 1mm SPACING CONNECTOR |
|                |           | JSA96310 | 1mm SPACING CONNECTOR                   |
|                |           | JSA96311 | 1mm SPACING CONNECTOR                   |
|                | Cable     | JSA92759 | RECOMMENDED CABLE (CIC)                 |

|             |                |     |          |  |                  |   |  |            |                               |   |  |                      |        |
|-------------|----------------|-----|----------|--|------------------|---|--|------------|-------------------------------|---|--|----------------------|--------|
| mat'l. code |                |     |          | surface ISO 1302 <input checked="" type="checkbox"/> |                  | tolerance ISO 406 <input checked="" type="checkbox"/><br>ISO 1101 |  | projection |                               | product family 58JF/TF  |  | CODE JP              |        |
| ltr         | ecn no         | dr  | date     | tolerances unless otherwise specified                |                  |   |  | mm         |                               | title<br>1mm SPACING CONNECTOR DOCUMENT LIST<br>(Cat. No. SLW__R/S-5__LF) |  |                      |        |
| A           | J05-0079       | H.T | '05/2/18 | angles   | linear           |   |  |            |                               |   |  |                      |        |
| B           | J06-0459       | H.T | 11/8/06  |  |                  |   |  |            |                               | dwg no JSA96342   |  | sheet 1 of 1 size A4 |        |
|             |                |     |          | dr   | <i>K. Shouji</i> | <i>11/8/06</i>  |  |            | type Product Customer Drawing |   |  |                      |        |
|             |                |     |          | enr  | <i>K. Shouji</i> | <i>11/8/06</i>  |  |            |                               |   |  |                      |        |
|             |                |     |          | chr  | <i>R. Shouji</i> | <i>11/9/06</i>  |  |            |                               |   |  |                      |        |
|             |                |     |          | app  | <i>S. Adachi</i> | <i>11/9/06</i>  |  |            |                               |   |  |                      |        |
| sheet index | revision sheet | B   | 1        |  |                  |   |  |            |                               |   |  |                      | Rev. B |

form: A4

1

2

CAT. NO. & DIMENSIONS

| NO. OF CONTACTS (n) | CAT. NO.         |               | DIMENSIONS (NOTE1) |         |
|---------------------|------------------|---------------|--------------------|---------|
|                     | RIGHT ANGLE TYPE | STRAIGHT TYPE | A ± 0.3            | B ± 0.3 |
| 4                   | SLW 4 R-5C7LF    | SLW 4 S-5C7LF | 10.2               | 5.2     |
| 5                   | SLW 5 R-5C7LF    | SLW 5 S-5C7LF | 11.2               | 6.2     |
| 6                   | SLW 6 R-5C7LF    | SLW 6 S-5C7LF | 12.2               | 7.2     |
| 7                   | SLW 7 R-5C7LF    | SLW 7 S-5C7LF | 13.2               | 8.2     |
| 8                   | SLW 8 R-5C7LF    | SLW 8 S-5C7LF | 14.2               | 9.2     |
| 9                   | SLW 9 R-5C7LF    | SLW 9 S-5C7LF | 15.2               | 10.2    |
| 10                  | SLW 10 R-5C7LF   | SLW 10S-5C7LF | 16.2               | 11.2    |
| 11                  | SLW 11 R-5C7LF   | SLW 11S-5C7LF | 17.2               | 12.2    |
| 12                  | SLW 12 R-5C7LF   | SLW 12S-5C7LF | 18.2               | 13.2    |
| 13                  | SLW 13 R-5C7LF   | SLW 13S-5C7LF | 19.2               | 14.2    |
| 14                  | SLW 14 R-5C7LF   | SLW 14S-5C7LF | 20.2               | 15.2    |
| 15                  | SLW 15 R-5C7LF   | SLW 15S-5C7LF | 21.2               | 16.2    |
| 16                  | SLW 16 R-5C7LF   | SLW 16S-5C7LF | 22.2               | 17.2    |
| 17                  | SLW 17 R-5C7LF   | SLW 17S-5C7LF | 23.2               | 18.2    |
| 18                  | SLW 18 R-5C7LF   | SLW 18S-5C7LF | 24.2               | 19.2    |
| 19                  | SLW 19 R-5C7LF   | SLW 19S-5C7LF | 25.2               | 20.2    |
| 20                  | SLW 20 R-5C7LF   | SLW 20S-5C7LF | 26.2               | 21.2    |
| 21                  | SLW 21 R-5C7LF   | SLW 21S-5C7LF | 27.2               | 22.2    |
| 22                  | SLW 22 R-5C7LF   | SLW 22S-5C7LF | 28.2               | 23.2    |
| 23                  | SLW 23 R-5C7LF   | SLW 23S-5C7LF | 29.2               | 24.2    |
| 24                  | SLW 24 R-5C7LF   | SLW 24S-5C7LF | 30.2               | 25.2    |
| 25                  | SLW 25 R-5C7LF   | SLW 25S-5C7LF | 31.2               | 26.2    |
| 26                  | SLW 26 R-5C7LF   | SLW 26S-5C7LF | 32.2               | 27.2    |
| 27                  | SLW 27 R-5C7LF   | SLW 27S-5C7LF | 33.2               | 28.2    |
| 28                  | SLW 28 R-5C7LF   | SLW 28S-5C7LF | 34.2               | 29.2    |
| 29                  | SLW 29 R-5C7LF   | SLW 29S-5C7LF | 35.2               | 30.2    |
| 30                  | SLW 30 R-5C7LF   | SLW 30S-5C7LF | 36.2               | 31.2    |

CAT. NO. SLW (n) R - 5C7 LF NOTE

SERIES NAME \_\_\_\_\_  
 NO. OF CONTACTS \_\_\_\_\_  
 R:RIGHT ANGLE TYPE  
 S:STRAIGHT TYPE  
 VARIATION \_\_\_\_\_  
 LEAD FREE \_\_\_\_\_

1. SEE PART DRAWINGS FOR DIMENSIONS A,B.

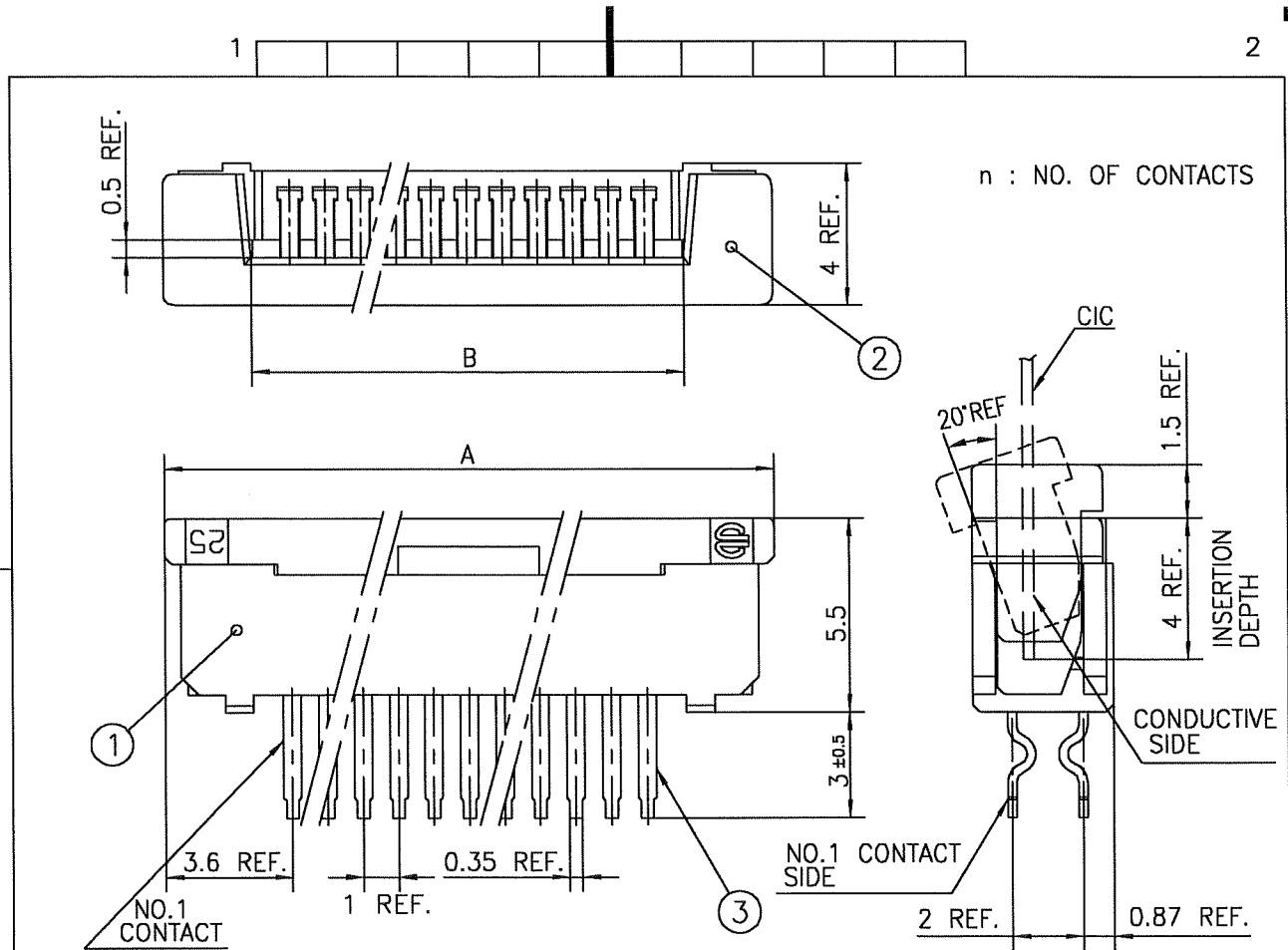
|             |                |     |          |  |                            |                |   |         |
|-------------|----------------|-----|----------|--|----------------------------|----------------|---|---------|
| mat'l. code |                |     |          | surface ISO 1302 <input checked="" type="checkbox"/> | tolerance ISO 406 ISO 1101 | projection     | product family 58JF/TF  | CODE JP |
| ltr         | ecn no         | dr  | date     | tolerances unless otherwise specified                |                            | mm             | title   |         |
| A           | J05-0079       | H.T | '05/2/15 | angles   | linear                     |                | CAT NO. TABLE FOR 1mm SPACING CONNECTOR (Cat. No. SLW__R/S-5C7LF) |         |
| B           | J06-0459       | H.T | 11/8/'06 |  |                            | scale $\times$ | dwg no sheet 1 of 1 size  |         |
|             |                |     |          | dr   | <i>H. J. J. 11/8/06</i>    |                | JSA 96303 A4  |         |
|             |                |     |          | enr  | <i>H. J. J. 11/8/06</i>    |                | type Product Customer Drawing                                     |         |
|             |                |     |          | chr  | <i>R. Shoye 11/9/06</i>    |                |   |         |
|             |                |     |          | app  | <i>S. J. J. 11/9/06</i>    |                |   |         |
| sheet index | revision sheet | B 1 |          |  |                            |                |   | Rev. B  |

SC-SLW04 JSA96304 96305 92759 form: A4



FCIconnect.com

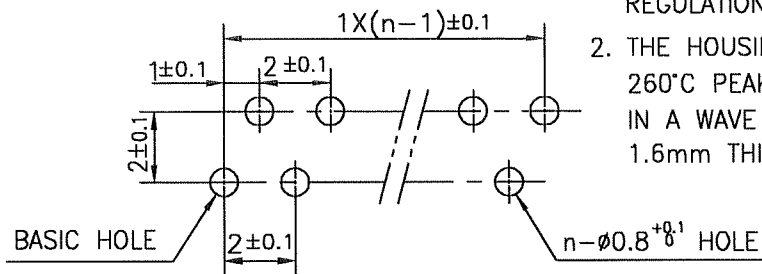
Copyright FCI.



| PT.NO. | PARTS NAME | MATERIAL                               | Q'TY | NOTE                                 |
|--------|------------|--|------|--------------------------------------|
| 1      | HOUSING    | NYLON RESIN GLASS REINFORCED (UL94V-0) | 1    | COLOR : BLACK                        |
| 2      | SLIDER     |  | 1    | COLOR : WHITE                        |
| 3      | CONTACT    | PHOSPHOR BRONZE                        | n    | PLATING : MATTE PURE TIN (LEAD FREE) |

**RECOMMENDED PC BOARD**

THICKNESS : 0.8~1.6  
HOLE PATTERN (COMPONENT SIDE)



1. THIS PRODUCT MEETS EUROPEAN UNION DIRECTIVES AND OTHER COUNTRY REGULATIONS AS DESCRIBED IN GS-22-008
2. THE HOUSING WILL WITHSTAND EXPOSURE TO 260°C PEAK TEMPERATURE FOR 10 SECONDS IN A WAVE SOLDER APPLICATION WITH A 1.6mm THICK CIRCUIT BOARD.

|             |  |                |  |                    |  |                            |  |            |  |   |  |                          |  |
|-------------|--|----------------|--|--------------------|--|----------------------------|--|------------|--|---|--|--------------------------|--|
| mat'l. code |  |                |  | surface ISO 1302 ✓ |  | tolerance ISO 406 ISO 1101 |  | projection |  | product family 58JF                           |  | CODE JP                  |  |
| ltr         |  |                |  | ecn no             |  | dr                         |  | date       |  | title   |  |                          |  |
| A           |  |                |  | J05-0079           |  | H.T.                       |  | '05/2/15   |  | 1mm SPACING CONNECTOR (Cat. No. SLW__S-5C7LF) |  |                          |  |
| B           |  |                |  | J05-0734           |  | H.T.                       |  | 10/28/'05  |  | mm  |  |                          |  |
| C           |  |                |  | J06-0459           |  | H.T.                       |  | 11/8/'06   |  | scale X                                       |  |                          |  |
|             |  |                |  | dr                 |  | 11/2/06                    |  |            |  | dwg no  |  | sheet 1 of 1 size        |  |
|             |  |                |  | enrg               |  | 11/2/06                    |  |            |  | JSA 96304                                     |  | A4                       |  |
|             |  |                |  | chr                |  | 11/9/06                    |  |            |  | type  |  | Product Customer Drawing |  |
|             |  |                |  | appd               |  | 11/9/06                    |  |            |  |   |  |                          |  |
| sheet index |  | revision sheet |  | C                  |  | 1                          |  |            |  |   |  | Rev. c                   |  |

SC-SLW04 JSA96303  
form: A4



n : NO. OF CONTACTS

| PT.NO. | PARTS NAME | MATERIAL                     | Q'TY | NOTE                                 |
|--------|------------|------------------------------|------|--------------------------------------|
| 1      | HOUSING    | NYLON RESIN GLASS REINFORCED | 1    | COLOR : BLACK                        |
| 2      | SLIDER     | (UL94V-0)                    | 1    | COLOR : WHITE                        |
| 3      | CONTACT    | PHOSPHOR BRONZE              | n    | PLATING : MATTE PURE TIN (LEAD FREE) |

RECOMMENDED PC BOARD  
 THICKNESS : 0.8~1.6  
 HOLE PATTERN (COMPONENT SIDE)



1. THIS PRODUCT MEETS EUROPEAN UNION DIRECTIVES AND OTHER COUNTRY REGULATIONS AS DESCRIBED IN GS-22-008
2. THE HOUSING WILL WITHSTAND EXPOSURE TO 260°C PEAK TEMPERATURE FOR 10 SECONDS IN A WAVE SOLDER APPLICATION WITH A 1.6mm THICK CIRCUIT BOARD.

|             |          |                |           |                                       |  |                            |  |            |  |                               |  |              |  |      |  |
|-------------|----------|----------------|-----------|---------------------------------------|--|----------------------------|--|------------|--|-------------------------------|--|--------------|--|------|--|
| mat'l. code |          |                |           | surface ISO 1302 ✓                    |  | tolerance ISO 406 ISO 1101 |  | projection |  | product family 58TF           |  | CODE JP      |  |      |  |
| ltr         | ecn no   | dr             | date      | tolerances unless otherwise specified |  |                            |  | mm         |  | title                         |  |              |  |      |  |
| A           | J05-0079 | H.T            | '05/2/15  | ±0.3                                  |  |                            |  | mm         |  | 1mm SPACING CONNECTOR         |  |              |  |      |  |
| B           | J05-0734 | H.T            | 10/28/'05 | linear                                |  |                            |  | mm         |  | (Cat. No. SLW__R-5C7LF)       |  |              |  |      |  |
| C           | J06-0459 | H.T            | 11/8/'06  |                                       |  |                            |  | scale X    |  |                               |  |              |  |      |  |
|             |          |                |           | dr                                    |  | 11/8/06                    |  |            |  | dwg no                        |  | sheet 1 of 1 |  | size |  |
|             |          |                |           | enrg                                  |  | 11/8/06                    |  |            |  | JSA 96305                     |  | A4           |  |      |  |
|             |          |                |           | chr                                   |  | 11/9/06                    |  |            |  |                               |  |              |  |      |  |
|             |          |                |           | appd                                  |  | 11/9/06                    |  |            |  | type Product Customer Drawing |  |              |  |      |  |
| sheet index |          | revision sheet |           | C                                     |  | 1                          |  |            |  |                               |  | Rev. C       |  |      |  |

SC-SLW04 JSA96303  
form: A4

RECOMMENDED CABLE (CIC)



| PT. NO. | PARTS NAME      | MATERIAL                        | THICKNESS (μm) |     |
|---------|-----------------|---------------------------------|----------------|-----|
| 1       | BASE FILM       | POLYESTER OR EQUAL              | 75             | 25  |
| 2       | CONDUCTOR       | CARBON PASTE OVER SILVER PASTE  | 10 MIN.        |     |
| 3       | OVERLAY         | POLYIMIDE OR POLYESTER OR EQUAL | —              |     |
| 4       | SUPPORTING TAPE | POLYESTER OR POLYIMIDE OR EQUAL | 188            | 250 |

NOTES

1. NO BURR AT EACH PORTION.
2. NO PEELING IN COMMON USE.
3. TOTAL THICKNESS LIMIT OF EACH MATERIAL (INCLUDING ADHESIVE AGENT) IS SPECIFIED.

|             |          |                |         |                                       |        |                            |  |                 |  |  |  |         |         |  |
|-------------|----------|----------------|---------|---------------------------------------|--------|----------------------------|--|-----------------|--|--|--|---------|---------|--|
| mat'l. code |          |                |         | surface ISO 1302 ✓                    |        | tolerance ISO 406 ISO 1101 |  | projection      |  | product family 58JF/TF                       |  | CODE JP |         |  |
| ltr         | ecn no   | dr             | date    | tolerances unless otherwise specified |        |                            |  |                 |  | title  |  |         |         |  |
| AA          | J05-0079 | H.T            | 2/18/05 |                                       |        |                            |  | mm              |  | RECOMMENDED CABLE<br>(Cat. No. SLW__R/S-5__) |  |         |         |  |
| AB          | J06-0459 | H.T            | 11/8/06 | angles                                | linear |                            |  | scale $\propto$ |  | dwg no sheet 1 of 1 size                     |  |         |         |  |
|             |          |                |         | dr                                    |        |                            |  |                 |  | JSA 92759 A4                                 |  |         |         |  |
|             |          |                |         | enr                                   |        |                            |  |                 |  | type Product Customer Drawing                |  |         |         |  |
|             |          |                |         | chr                                   |        |                            |  |                 |  |  |  |         |         |  |
|             |          |                |         | appd                                  |        |                            |  |                 |  |  |  |         |         |  |
| sheet index |          | revision sheet |         | AB                                    |        |                            |  |                 |  |  |  |         | Rev. AB |  |

CAT. NO. & DIMENSIONS

| NO. OF CONTACTS (n) | CAT. NO.         |               | DIMENSIONS (NOTE1) |         |
|---------------------|------------------|---------------|--------------------|---------|
|                     | RIGHT ANGLE TYPE | STRAIGHT TYPE | A ± 0.3            | B ± 0.3 |
| 4                   | SLW 4 R-5A7LF    | SLW 4 S-5A7LF | 10.2               | 5.2     |
| 5                   | SLW 5 R-5A7LF    | SLW 5 S-5A7LF | 11.2               | 6.2     |
| 6                   | SLW 6 R-5A7LF    | SLW 6 S-5A7LF | 12.2               | 7.2     |
| 7                   | SLW 7 R-5A7LF    | SLW 7 S-5A7LF | 13.2               | 8.2     |
| 8                   | SLW 8 R-5A7LF    | SLW 8 S-5A7LF | 14.2               | 9.2     |
| 9                   | SLW 9 R-5A7LF    | SLW 9 S-5A7LF | 15.2               | 10.2    |
| 10                  | SLW 10R-5A7LF    | SLW 10S-5A7LF | 16.2               | 11.2    |
| 11                  | SLW 11R-5A7LF    | SLW 11S-5A7LF | 17.2               | 12.2    |
| 12                  | SLW 12R-5A7LF    | SLW 12S-5A7LF | 18.2               | 13.2    |
| 13                  | SLW 13R-5A7LF    | SLW 13S-5A7LF | 19.2               | 14.2    |
| 14                  | SLW 14R-5A7LF    | SLW 14S-5A7LF | 20.2               | 15.2    |
| 15                  | SLW 15R-5A7LF    | SLW 15S-5A7LF | 21.2               | 16.2    |
| 16                  | SLW 16R-5A7LF    | SLW 16S-5A7LF | 22.2               | 17.2    |
| 17                  | SLW 17R-5A7LF    | SLW 17S-5A7LF | 23.2               | 18.2    |
| 18                  | SLW 18R-5A7LF    | SLW 18S-5A7LF | 24.2               | 19.2    |
| 19                  | SLW 19R-5A7LF    | SLW 19S-5A7LF | 25.2               | 20.2    |
| 20                  | SLW 20R-5A7LF    | SLW 20S-5A7LF | 26.2               | 21.2    |
| 21                  | SLW 21R-5A7LF    | SLW 21S-5A7LF | 27.2               | 22.2    |
| 22                  | SLW 22R-5A7LF    | SLW 22S-5A7LF | 28.2               | 23.2    |
| 23                  | SLW 23R-5A7LF    | SLW 23S-5A7LF | 29.2               | 24.2    |
| 24                  | SLW 24R-5A7LF    | SLW 24S-5A7LF | 30.2               | 25.2    |
| 25                  | SLW 25R-5A7LF    | SLW 25S-5A7LF | 31.2               | 26.2    |
| 26                  | SLW 26R-5A7LF    | SLW 26S-5A7LF | 32.2               | 27.2    |
| 27                  | SLW 27R-5A7LF    | SLW 27S-5A7LF | 33.2               | 28.2    |
| 28                  | SLW 28R-5A7LF    | SLW 28S-5A7LF | 34.2               | 29.2    |
| 29                  | SLW 29R-5A7LF    | SLW 29S-5A7LF | 35.2               | 30.2    |
| 30                  | SLW 30R-5A7LF    | SLW 30S-5A7LF | 36.2               | 31.2    |

CAT. NO. SLW (n) R -5A7 LF  
 SERIES NAME \_\_\_\_\_  
 NO. OF CONTACTS \_\_\_\_\_  
 R: RIGHT ANGLE TYPE \_\_\_\_\_  
 S: STRAIGHT TYPE \_\_\_\_\_  
 VARIATION \_\_\_\_\_  
 LEAD FREE \_\_\_\_\_

NOTE  
 1. SEE PART DRAWINGS FOR DIMENSIONS A,B.

|                         |  |                |  |                                       |  |                            |  |            |  |   |  |                      |  |
|-------------------------|--|----------------|--|---------------------------------------|--|----------------------------|--|------------|--|---|--|----------------------|--|
| mat'l. code             |  |                |  | surface ISO 1302 ✓                    |  | tolerance ISO 406 ISO 1101 |  | projection |  | product family 5BJF/TF  |  | CODE JP              |  |
| ltr ecn no dr date      |  |                |  | tolerances unless otherwise specified |  |                            |  | mm         |  | title   |  |                      |  |
| A J05-0079 H.T. 2/18/05 |  |                |  | angles linear                         |  |                            |  | scale X    |  | CAT NO. TABLE FOR 1mm SPACING CONNECTOR (Cat. No. SLW__R/S-5A7LF) |  |                      |  |
| B J06-0459 H.T. 11/8/06 |  |                |  | dr _____ 11/8/06                      |  |                            |  | FCI        |  | dwg no JSA 96309  |  | sheet 1 of 1 size A4 |  |
|                         |  |                |  | enrg _____ 11/8/06                    |  |                            |  |            |  | type Product Customer Drawing                                     |  |                      |  |
|                         |  |                |  | chr _____ 11/9/06                     |  |                            |  |            |  |   |  |                      |  |
|                         |  |                |  | appd _____ 11/9/06                    |  |                            |  |            |  |   |  |                      |  |
| sheet index             |  | revision sheet |  | B 1                                   |  |                            |  |            |  |   |  | Rev. B               |  |



FCIconnect.com

Copyright FCI.

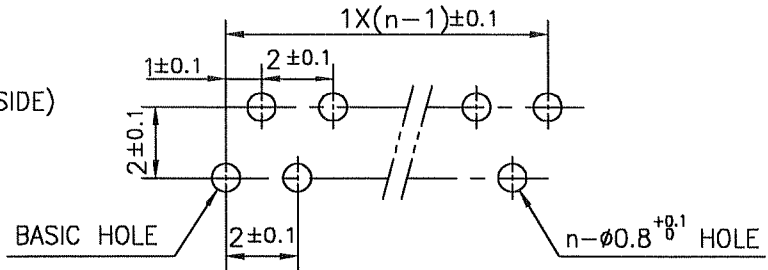


1. THIS PRODUCT MEETS EUROPEAN UNION DIRECTIVES AND OTHER COUNTRY REGULATIONS AS DESCRIBED IN GS-22-008

2. THE HOUSING WILL WITHSTAND EXPOSURE TO 260°C PEAK TEMPERATURE FOR 10 SECONDS IN A WAVE SOLDER APPLICATION WITH A 1.6mm THICK CIRCUIT BOARD.

| PT.NO. | PARTS NAME | MATERIAL                               | Q'TY | NOTE                                 |
|--------|------------|--|------|--------------------------------------|
| 1      | HOUSING    | NYLON RESIN GLASS REINFORCED (UL94V-0) | 1    | COLOR : BLACK                        |
| 2      | SLIDER     |  | 1    |                                      |
| 3      | CONTACT    | PHOSPHOR BRONZE                        | n    | PLATING : MATTE PURE TIN (LEAD FREE) |

RECOMMENDED PC BOARD THICKNESS : 0.8~1.6 HOLE PATTERN (COMPONENT SIDE)



|             |          |                |          |                                       |  |                            |  |            |  |   |  |         |  |
|-------------|----------|----------------|----------|---------------------------------------|--|----------------------------|--|------------|--|---|--|---------|--|
| mat'l. code |          |                |          | surface ISO 1302 ✓                    |  | tolerance ISO 406 ISO 1101 |  | projection |  | product family 58JF   |  | CODE JP |  |
| ltr         | ecn no   | dr             | date     | tolerances unless otherwise specified |  |                            |  | mm         |  | title   |  |         |  |
| A           | J05-0079 | H.T            | 2/18/05  | ± 0.3                                 |  |                            |  | mm         |  | 1mm SPACING CONNECTOR (Cat. No. SLW__S-5A7LF)                                 |  |         |  |
| B           | J05-0734 | H.T            | 10/28/05 | angles linear                         |  |                            |  | scale X    |  | FCI<br>dwg no JSA 96310 sheet 1 of 1 size A4<br>type Product Customer Drawing |  |         |  |
| C           | J06-0459 | H.T            | 11/8/06  |                                       |  |                            |  |            |  |   |  |         |  |
|             |          |                |          | dr                                    |  |                            |  |            |  |   |  |         |  |
|             |          |                |          | enr                                   |  |                            |  |            |  |   |  |         |  |
|             |          |                |          | chr                                   |  |                            |  |            |  |   |  |         |  |
|             |          |                |          | appd                                  |  |                            |  |            |  |   |  |         |  |
| sheet index |          | revision sheet |          | c                                     |  |                            |  |            |  |   |  | Rev. c  |  |



1. THIS PRODUCT MEETS EUROPEAN UNION DIRECTIVES AND OTHER COUNTRY REGULATIONS AS DESCRIBED IN GS-22-008

2. THE HOUSING WILL WITHSTAND EXPOSURE TO 260°C PEAK TEMPERATURE FOR 10 SECONDS IN A WAVE SOLDER APPLICATION WITH A 1.6mm THICK CIRCUIT BOARD.

| PT.NO. | PARTS NAME | MATERIAL                               | Q'TY | NOTE                                 |
|--------|------------|--|------|--------------------------------------|
| 1      | HOUSING    | NYLON RESIN GLASS REINFORCED (UL94V-0) | 1    | COLOR : BLACK                        |
| 2      | SLIDER     |  | 1    |                                      |
| 3      | CONTACT    | PHOSPHOR BRONZE                        | n    | PLATING : MATTE PURE TIN (LEAD FREE) |



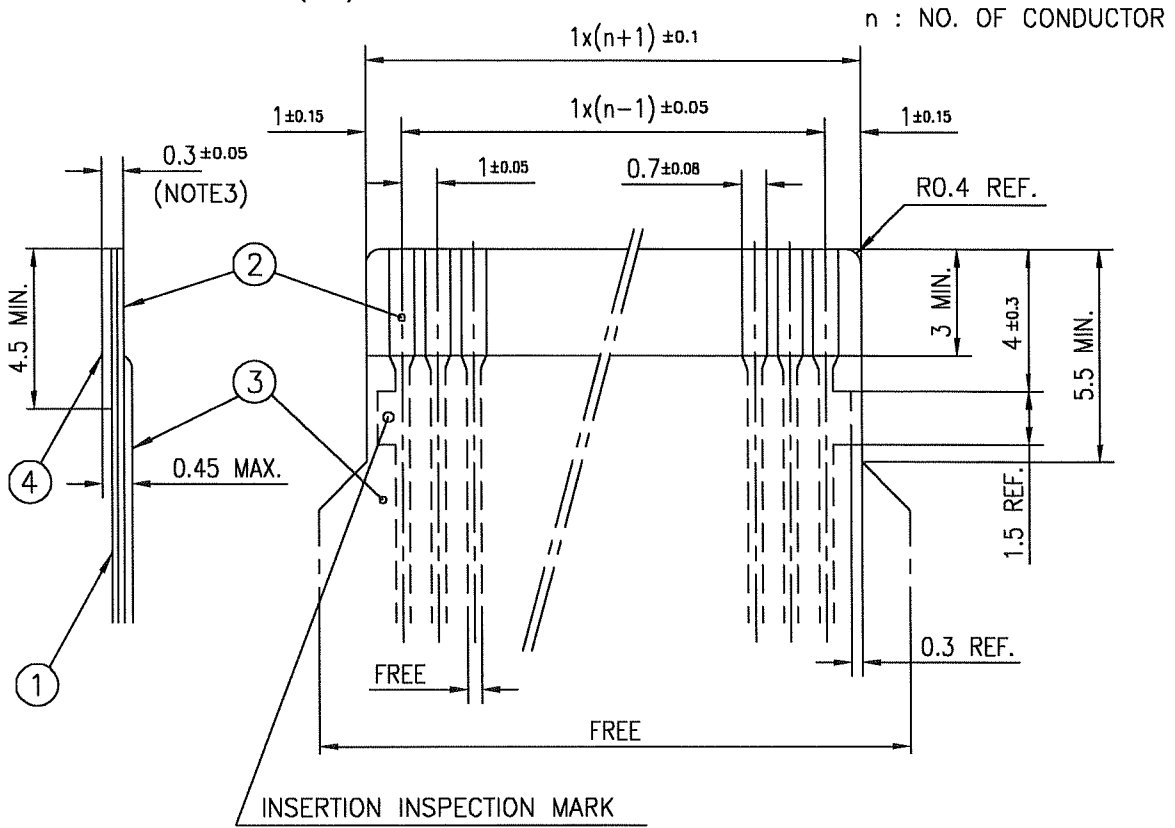
RECOMMENDED PC BOARD THICKNESS : 0.8~1.6 HOLE PATTERN (COMPONENT SIDE)

|             |  |                |  |                    |  |                            |  |            |  |   |  |                          |  |
|-------------|--|----------------|--|--------------------|--|----------------------------|--|------------|--|---|--|--------------------------|--|
| mat'l. code |  |                |  | surface ISO 1302 ✓ |  | tolerance ISO 406 ISO 1101 |  | projection |  | product family 58TF                           |  | CODE JP                  |  |
| ltr         |  |                |  | ecn no             |  | dr                         |  | date       |  | title   |  |                          |  |
| A           |  |                |  | J05-0079           |  | H.T.                       |  | '05/2/18   |  | 1mm SPACING CONNECTOR (Cat. No. SLW__R-5A7LF) |  |                          |  |
| B           |  |                |  | J05-0734           |  | H.T.                       |  | 10/28/'05  |  | scale $\times$                                |  |                          |  |
| C           |  |                |  | J06-0459           |  | H.T.                       |  | 11/8/'06   |  |   |  |                          |  |
|             |  |                |  | dr                 |  | 11/01/06                   |  |            |  | dwg no  |  | sheet 1 of 1             |  |
|             |  |                |  | enr                |  | 11/01/06                   |  |            |  | JSA 96311                                     |  | size A4                  |  |
|             |  |                |  | chr                |  | 11/9/06                    |  |            |  | type  |  | Product Customer Drawing |  |
|             |  |                |  | appd               |  | 11/9/06                    |  |            |  |   |  |                          |  |
| sheet index |  | revision sheet |  | C                  |  | 1                          |  |            |  |   |  | Rev. C                   |  |

SC-SLW04 JSA96309 form: A4



RECOMMENDED CABLE (CIC)



| PT. NO. | PARTS NAME      | MATERIAL                        | THICKNESS (μm) |     |
|---------|-----------------|---------------------------------|----------------|-----|
| 1       | BASE FILM       | POLYESTER OR EQUAL              | 75             | 25  |
| 2       | CONDUCTOR       | CARBON PASTE OVER SILVER PASTE  | 10 MIN.        |     |
| 3       | OVERLAY         | POLYIMIDE OR POLYESTER OR EQUAL | —              |     |
| 4       | SUPPORTING TAPE | POLYESTER OR POLYIMIDE OR EQUAL | 188            | 250 |

NOTES

1. NO BURR AT EACH PORTION.
2. NO PEELING IN COMMON USE.
3. TOTAL THICKNESS LIMIT OF EACH MATERIAL (INCLUDING ADHESIVE AGENT) IS SPECIFIED.

|             |          |                |         |                                       |  |                                  |  |                 |  |   |  |                          |  |
|-------------|----------|----------------|---------|---------------------------------------|--|----------------------------------|--|-----------------|--|---|--|--------------------------|--|
| mat'l. code |          |                |         | surface<br>ISO 1302 ✓                 |  | tolerance<br>ISO 406<br>ISO 1101 |  | projection<br>⊕ |  | product family<br>58JF/TF                             |  | CODE<br>JP               |  |
| ltr         | ecn no   | dr             | date    | tolerances unless otherwise specified |  |                                  |  | mm              |  | title<br>RECOMMENDED CABLE<br>(Cat. No. SLW__R/S-5__) |  |                          |  |
| AA          | J05-0079 | H.T.           | 2/18/05 | angles                                |  | linear                           |  | scale           |  | dwg no  |  | sheet 1 of 1 size        |  |
| AB          | J06-0459 | H.T.           | 11/8/06 |                                       |  |                                  |  | FCJ             |  | JSA 92759   |  | A4                       |  |
|             |          |                |         | dr                                    |  | 11/8/06                          |  |                 |  | type  |  | Product Customer Drawing |  |
|             |          |                |         | enr                                   |  | 11/8/06                          |  |                 |  |   |  |                          |  |
|             |          |                |         | chr                                   |  | 11/9/06                          |  |                 |  |   |  |                          |  |
|             |          |                |         | appd                                  |  | 11/9/06                          |  |                 |  |   |  |                          |  |
| sheet index |          | revision sheet |         | AB                                    |  | 1                                |  |                 |  |   |  | Rev. AB                  |  |

Компания «Life Electronics» занимается поставками электронных компонентов импортного и отечественного производства от производителей и со складов крупных дистрибьюторов Европы, Америки и Азии.

С конца 2013 года компания активно расширяет линейку поставок компонентов по направлению коаксиальный кабель, кварцевые генераторы и конденсаторы (керамические, пленочные, электролитические), за счёт заключения дистрибьюторских договоров

Мы предлагаем:

- Конкурентоспособные цены и скидки постоянным клиентам.
- Специальные условия для постоянных клиентов.
- Подбор аналогов.
- Поставку компонентов в любых объемах, удовлетворяющих вашим потребностям.
- Приемлемые сроки поставки, возможна ускоренная поставка.
- Доставку товара в любую точку России и стран СНГ.
- Комплексную поставку.
- Работу по проектам и поставку образцов.
- Формирование склада под заказчика.
- Сертификаты соответствия на поставляемую продукцию (по желанию клиента).
- Тестирование поставляемой продукции.
- Поставку компонентов, требующих военную и космическую приемку.
- Входной контроль качества.
- Наличие сертификата ISO.

В составе нашей компании организован Конструкторский отдел, призванный помогать разработчикам, и инженерам.

Конструкторский отдел помогает осуществить:

- Регистрацию проекта у производителя компонентов.
- Техническую поддержку проекта.
- Защиту от снятия компонента с производства.
- Оценку стоимости проекта по компонентам.
- Изготовление тестовой платы монтаж и пусконаладочные работы.



Тел: +7 (812) 336 43 04 (многоканальный)

Email: [org@lifeelectronics.ru](mailto:org@lifeelectronics.ru)