

SPECIFICATION CONTROL DRAWING

If this document is printed it becomes uncontrolled.  
Check for the latest revision.

**CONTACTS, ELECTRICAL CONNECTOR, SOCKET,  
SOLDERTACTS<sup>®</sup>, REMOVABLE, SHIELDED, SIZE 16, M39029/77 TYPE  
(FOR MIL-C-38999 SERIES I, III AND IV CONNECTORS)**

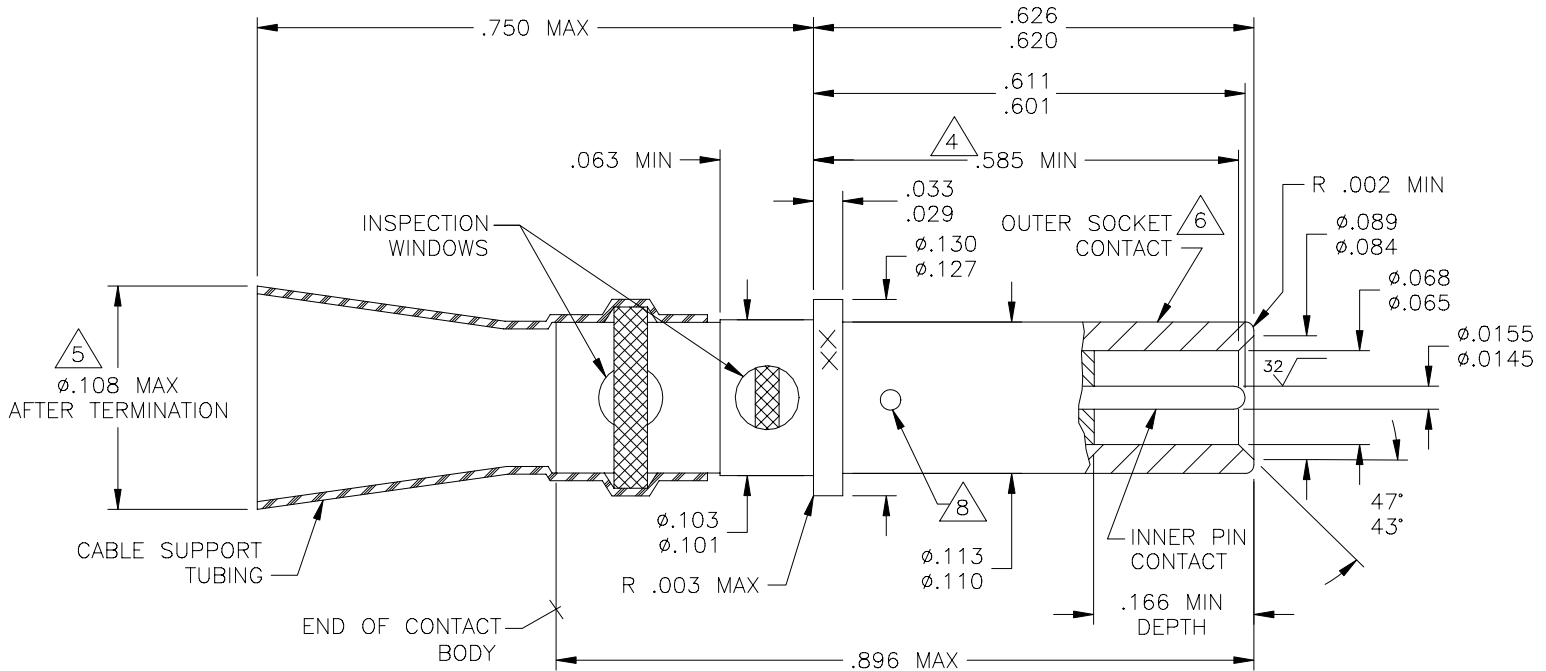


FIGURE 1.

1. DIMENSIONS ARE IN INCHES.
2. METRIC EQUIVALENTS CAN BE CALCULATED BASED UPON 1.00 INCH=25.4mm.
3. DIMENSIONS SHOWN APPLY AFTER PLATING.
4. POINT AT WHICH A SQUARE ENDED PIN OF THE SAME BASIC DIAMETER AS THE MATING CONTACT FIRST ENGAGES THE OUTER CONTACT SPRING. PROVISION FOR CLEARANCE HOLE SHALL BE PROVIDED.
5. SLEEVE RECOVERY: THE DIAMETER OF THE SHRINK TUBING OVER THE CABLE SHALL NOT EXCEED THE DIAMETER SHOWN.
6. MATES WITH .0635/.0615 DIA PIN
7. CONTACT WEIGHT: 0.687 GRAMS MAXIMUM UNTERMINATED.
8. THE FEATURES SHOWN ARE TWO HOLES REQUIRED TO ACCOMMODATE THE CONTACT MANUFACTURING PROCESS (REF).

NOTICE: THE INFORMATION GIVEN HEREIN IS BELIEVED TO BE RELIABLE, HOWEVER, TYCO ELECTRONICS MAKES NO WARRANTIES AS TO ITS ACCURACY OR COMPLETENESS AND DISCLAIMS ANY LIABILITY IN CONNECTION WITH ITS USE. TYCO ELECTRONICS' OBLIGATIONS SHALL BE ONLY AS SET FORTH IN TYCO ELECTRONICS' STANDARD TERMS AND CONDITIONS OF SALE FOR THIS PRODUCT AND IN NO CASE WILL TYCO ELECTRONICS BE LIABLE FOR ANY INCIDENTAL, INDIRECT OR CONSEQUENTIAL DAMAGES ARISING OUT OF THE SALE, RESALE, USE OR MISUSE OF THE PRODUCT.

USERS OF TYCO ELECTRONICS' PRODUCTS SHOULD MAKE THEIR OWN EVALUATION TO DETERMINE THE SUITABILITY OF EACH SUCH PRODUCT FOR THE SPECIFIC APPLICATION.

UNLESS OTHERWISE SPECIFIED DIMENSIONS ARE IN INCHES. METRIC DIMENSIONS ARE IN BRACKETS.

DECIMALS  
.XXX ± [ mm ]  
.XX ± [ mm ]  
ANGLES ±

DRAWN BY:  
MFORONDA

CAD NAME:  
D020275A

CHECKED:  
MHIGGY

APPROVED:  
MHIGGY  
DEV MGR.

DOCUMENT NUMBER:  
D-602-0141-C11788

PROD. REV.  
N/C

DATE: 5/28/02

DATE:

DATE: 5/28/02

SPECIFICATION CONTROL DRAWING

**If this document is printed it becomes uncontrolled.  
Check for the latest revision.**

REQUIREMENTS:

DIMENSIONS (FIGURE 1), DESIGN CHARACTERISTICS, AND CONFIGURATION MEET THE REQUIREMENTS OF M39029/77 EXCEPT THAT THE TEMPERATURE RATING IS 125°C INSTEAD OF 200°C, TERMINATION IS BY SOLDERING INSTEAD OF CRIMPING. SEE TABLE I FOR CABLE ACCOMMODATION.

THIS CONTACT IS QUALIFIED TO RAYCHEM SPECIFICATION D-6002.

MATING CONTACT: D-602-0140-C8898 (M39029/76)

TOOLS: SEE TABLE II.

TABLE I. DESIGN CHARACTERISTICS

CABLE ACCOMMODATED <u>1/</u>	CONTACT CAVITY SIZE	TYPE	CLASS
RAYCHEM 10598-30-9X	16	D	A

1/ THE CONTACT TERMINATES THE CENTER CONDUCTOR AND INNER SHIELD OF THIS TRIAXIAL CABLE.

OTHER APPLICATIONS USING DIFFERENT CABLES MAY BE ACCOMMODATED. CONSULT CONTACT MANUFACTURER FOR DETAILS.

TABLE II. TOOLS

HEATING TOOLS <u>2/</u>	REFLECTORS <u>2/</u>	STANDARD FIXTURE <u>2/</u>		REPAIR FIXTURE <u>2/</u>	INSTALLING TOOLS *	REMOVAL TOOLS *
		BASIC FIXTURE	ADAPTER			
AA-400 SUPER HEATER	#979663 MINI SOLDER SLEEVE	AD-1319 OR AD1567	AT-1319-78	AD-1565	M81969/8-07 OR M81969/14-03 OR DANIELS MFG. DAK83-16 (METAL)	M81969/8-08 OR M81969/14-03 OR DANIELS MFG. DAK83-16 (METAL)
STEINEL HLI802E	STEINEL SOLDER SLEEVE					

2/ SEE RAYCHEM ES-61226 FOR TERMINATION PROCEDURE INSTRUCTIONS EXCEPT THE STRIP LENGTH TO BE AS SHOWN ON PAGE# 3.

\* THIS CABLE MAY REQUIRE THE USE OF THE METAL TOOL FOR PROPER HANDLING.

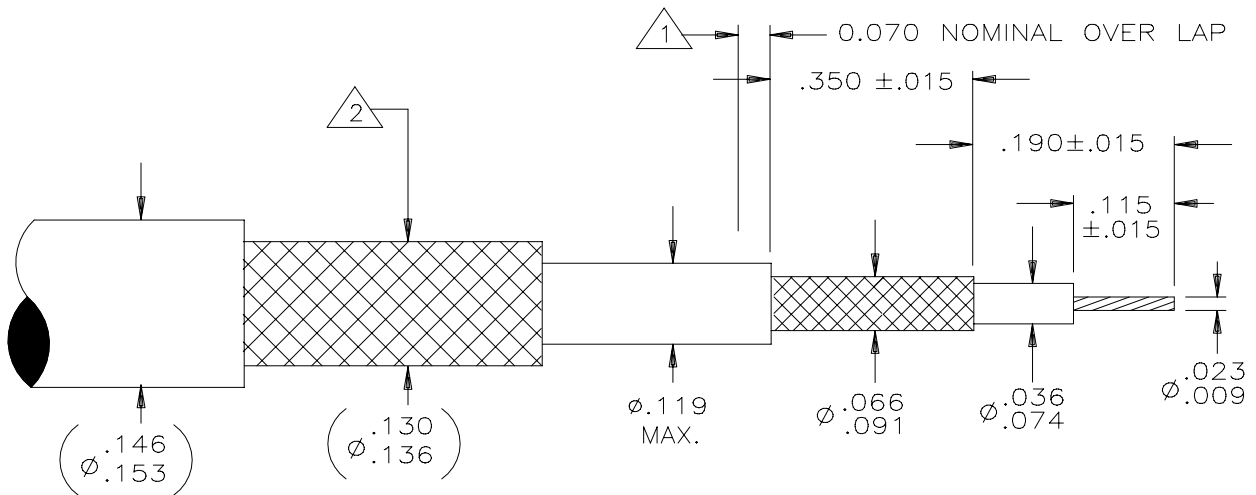
SPECIFICATION CONTROL DRAWING

**If this document is printed it becomes uncontrolled.  
Check for the latest revision.**

ASSEMBLY INSTRUCTIONS

1. STRIP CABLE AS SHOWN. PRE-TIN CENTER CONDUCTOR.
2. INSERT CABLE INTO CONTACT UNTIL IT IS FULLY SEATED.
3. HEAT CONTACT WITH APPROPRIATE TOOLS AS SHOWN ON TABLE II UNTIL SOLDER MELTS AND FLOWS AND STRAIN RELIEF TUBING CONFORMS TO CABLE.
4. CABLE ACCOMMODATION: THIS CONTACT WILL ACCOMMODATE CABLES WITH THESE DIMENSIONS.

PREPARATION OF INNER TRIAXIAL CABLE



CABLE PREPARATION FOR STRAIGHT SHIELD

1 AFTER TERMINATION THE CABLE SUPPORT TUBING WILL OVERLAP THE INNER JACKET BY 0.070 NOMINAL.

2 OUTER BRAID IS TERMINATED BY OTHER MEANS

# SPECIFICATION CONTROL DRAWING

**If this document is printed it becomes uncontrolled.  
Check for the latest revision.**

CONTACT ENGAGEMENT AND SEPARATION FORCES (OUTER SOCKET CONTACT ONLY): THE ENGAGEMENT DEPTH SHALL BE AS ENCOUNTERED IN NORMAL SERVICE. THE TEST PINS SHALL BE IN ACCORDANCE WITH MS3197 EXCEPT THE DIAMETERS SHALL BE AS SPECIFIED IN THE FOLLOWING, AND SURFACE ROUGHNESS SHALL NOT EXCEED 3 MICROINCHES. PROVISIONS FOR CLEARANCE HOLE SHALL BE PROVIDED.

TABLE III

TEST PIN DIAMETER (INCH)	MINIMUM SEPARATION FORCE (OUNCES)		MAXIMUM ENGAGEMENT FORCE (OUNCES)	
	INITIAL	AFTER CONDITIONING	INITIAL	AFTER CONDITIONING
.0635 $\begin{matrix} +.0002 \\ -.0000 \end{matrix}$	N/A	N/A	30.0	36.0
.0615 $\begin{matrix} +.0000 \\ -.0002 \end{matrix}$	2.0	1.5	N/A	N/A

DIELECTRIC WITHSTANDING VOLTAGE (APPLIED BETWEEN INNER AND OUTER CONTACT):  
TEST VOLTAGE:

AT SEA LEVEL:            800 VAC. RMS.  
AT 50,000 FEET:        250 VAC. RMS.

CONTACT RESISTANCE: SEE TABLE IV.

TABLE IV. CONTACT RESISTANCE

TEST CABLE	MAXIMUM VOLTAGE DROP (MILLIVOLTS)						TEST CURRENT (AMPS)	
	$25^{\circ} \begin{matrix} +3^{\circ} \\ -0^{\circ} \end{matrix} C$		$25^{\circ} \begin{matrix} +3^{\circ} \\ -0^{\circ} \end{matrix} C$ <sub>3/</sub>		$125^{\circ} \begin{matrix} +3^{\circ} \\ -0^{\circ} \end{matrix} C$			
	CONTACT		CONTACT		CONTACT		CONTACT	
	INNER	OUTER	INNER	OUTER	INNER	OUTER	INNER	OUTER
RAYCHEM 10598-30-9X	60	54	72	65	90	81	1.0	7.5

3/ AFTER CONDITIONING.

# SPECIFICATION CONTROL DRAWING

**If this document is printed it becomes uncontrolled.  
Check for the latest revision.**

LOW SIGNAL LEVEL CONTACT RESISTANCE (INNER CONTACT ONLY): SEE TABLE V.  
TENSILE STRENGTH (INNER AND OUTER CONTACT SOLDER JOINT): SEE TABLE V.

TABLE V. LOW SIGNAL LEVEL CONTACT RESISTANCE  
(INNER CONTACT ONLY) AND TENSILE STRENGTH

TEST CABLE	MAXIMUM CONTACT RESISTANCE (MILLIOHMS)		MINIMUM TENSILE STRENGTH (POUNDS)	
	INITIAL	AFTER CONDITIONING	INNER CONTACT	OUTER CONTACT
RAYCHEM 10598-30-9X	66	80	3.5	20.0

MATERIAL:	CONTACT BODY	BERYLLIUM COPPER, ALLOY 173, CONDITION H PER ASTM B196
	INNER CONTACT	BERYLLIUM COPPER, ALLOY 173, CONDITION H PER ASTM B196
	PLATING (CONTACT BODY AND INNER CONTACT)	GOLD PLATE PER MIL-G-45204 TYPE II, GRADE C 50 MICROINCHES MINIMUM OVER NICKEL PER QQ-N-290A 50 MICROINCHES MINIMUM OVER COPPER STRIKE - 40 MICROINCHES MAXIMUM
	SOLDER	Sn63 PER ANSI/J-STD-006 (QQ-S-571)
	FLUX	TYPE RMA PER ANSI/J-STD-004 (QQ-S-571)
	SHRINK TUBING	HEAT-SHRINKABLE, RADIATION-CROSSLINKED POLYVINYLIDENE FLUORIDE
	DIELECTRIC	ETFE FLUOROPOLYMER PER ASTM D3159

SHIPPING      FIGURE 1 INDICATES THE ONE-PIECE ASSEMBLY. TERMINATION INSTRUCTIONS ARE TO BE SHIPPED WITH THE UNIT PACKAGE.

Компания «Life Electronics» занимается поставками электронных компонентов импортного и отечественного производства от производителей и со складов крупных дистрибьюторов Европы, Америки и Азии.

С конца 2013 года компания активно расширяет линейку поставок компонентов по направлению коаксиальный кабель, кварцевые генераторы и конденсаторы (керамические, пленочные, электролитические), за счёт заключения дистрибьюторских договоров

Мы предлагаем:

- Конкуренспособные цены и скидки постоянным клиентам.
- Специальные условия для постоянных клиентов.
- Подбор аналогов.
- Поставку компонентов в любых объемах, удовлетворяющих вашим потребностям.
- Приемлемые сроки поставки, возможна ускоренная поставка.
- Доставку товара в любую точку России и стран СНГ.
- Комплексную поставку.
- Работу по проектам и поставку образцов.
- Формирование склада под заказчика.
- Сертификаты соответствия на поставляемую продукцию (по желанию клиента).
- Тестирование поставляемой продукции.
- Поставку компонентов, требующих военную и космическую приемку.
- Входной контроль качества.
- Наличие сертификата ISO.

В составе нашей компании организован Конструкторский отдел, призванный помогать разработчикам, и инженерам.

Конструкторский отдел помогает осуществить:

- Регистрацию проекта у производителя компонентов.
- Техническую поддержку проекта.
- Защиту от снятия компонента с производства.
- Оценку стоимости проекта по компонентам.
- Изготовление тестовой платы монтаж и пусконаладочные работы.



Тел: +7 (812) 336 43 04 (многоканальный)  
Email: [org@lifeelectronics.ru](mailto:org@lifeelectronics.ru)