



RF360  
Europe GmbH

## SAW components

### SAW diplexer

Automotive telematics  
TD-SCDMA bands 34 & 39

Series/type:	B4384
Ordering code:	B39202B4384P810
Date:	March 07, 2016
Version:	2.0

RF360 products mentioned within this document are products of RF360 Europe GmbH and other subsidiaries of RF360 Holdings Singapore Pte. Ltd. (collectively, the "RF360 Subsidiaries").

RF360 Europe GmbH, Anzinger Str. 13, München, Germany

© 2019 RF360 Europe GmbH and/or its affiliated companies. All rights reserved.

These materials, including the information contained herein, may be used only for informational purposes by the customer. The RF360 Subsidiaries assume no responsibility for errors or omissions in these materials or the information contained herein. The RF360 Subsidiaries reserve the right to make changes to the product(s) or information contained herein without notice. The materials and information are provided on an AS IS basis, and the RF360 Subsidiaries assume no liability and make no warranty or representation, either expressed or implied, with respect to the materials, or any output or results based on the use, application, or evaluation of such materials, including, without limitation, with respect to the non-infringement of trademarks, patents, copyrights or any other intellectual property rights or other rights of third parties.

No use of this documentation or any information contained herein grants any license, whether express, implied, by estoppel or otherwise, to any intellectual property rights, including, without limitation, to any patents owned by QUALCOMM Incorporated or any of its subsidiaries.

Not to be used, copied, reproduced, or modified in whole or in part, nor its contents revealed in any manner to others without the express written permission of RF360 Europe GmbH.

Qualcomm is a trademark of Qualcomm Incorporated, registered in the United States and other countries. Other product and brand names may be trademarks or registered trademarks of their respective owners.

This technical data may be subject to U.S. and international export, re-export, or transfer ("export") laws. Diversion contrary to U.S. and international law is strictly prohibited.



## **SAW components**

### **SAW diplexer**

Automotive telematics

TD-SCDMA bands 34 & 39

Series/type:	B4384
Ordering code:	B39202B4384P810
Date:	March 07, 2016
Version:	2.0

© EPCOS AG 2016. Reproduction, publication and dissemination of this data sheet, enclosures hereto and the information contained therein without EPCOS' prior express consent is prohibited.

EPCOS AG is a TDK Group Company.

<b>SAW components</b>	<b>B4384</b>
<b>SAW diplexer</b>	<b>2017.5 / 1900.0</b>

Data sheet

**Table of contents**

1 <a href="#">Application</a> .....	3
2 <a href="#">Features</a> .....	3
3 <a href="#">Package</a> .....	4
4 <a href="#">Pin configuration</a> .....	4
5 <a href="#">Matching circuit</a> .....	5
6 <a href="#">Characteristics TD-SCDMA B34</a> .....	6
7 <a href="#">Characteristics TD-SCDMA B39</a> .....	7
8 <a href="#">Maximum ratings</a> .....	8
9 <a href="#">Transmission coefficient TD-SCDMA B34</a> .....	9
10 <a href="#">Reflection coefficients TD-SCDMA B34</a> .....	10
11 <a href="#">Transmission coefficient TD-SCDMA B39</a> .....	11
12 <a href="#">Reflection coefficients TD-SCDMA B39</a> .....	12
13 <a href="#">Packing material</a> .....	13
14 <a href="#">Marking</a> .....	14
15 <a href="#">Soldering profile</a> .....	16
16 <a href="#">Annotations</a> .....	17
17 <a href="#">Cautions and warnings</a> .....	18
<a href="#">Important notes</a> .....	19

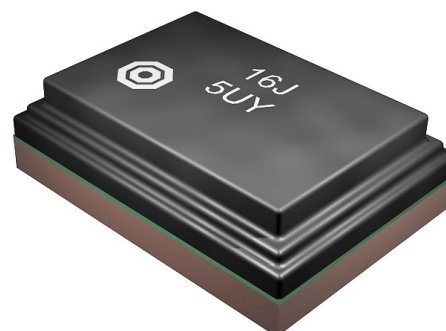
Data sheet

## 1 Application

- Low-loss 2in1 RF filter for TD-SCDMA band 34 and TD-SCDMA band 39 systems
- TD-SCDMA B34: 15MHz
- TD-SCDMA B39: 40MHz
- Low amplitude ripple

## 2 Features

- Package size 1.5±0.1 mm × 1.1±0.1 mm
- Package height 0.45 mm (max.)
- Package code QCS10W
- Approximate weight 3 mg
- RoHS compatible
- Package for Surface Mount Technology (SMT)
- Ni/Au-plated terminals
- Filter surface passivated
- AEC-Q200 qualified component family (operable temperature range -40 °C to +85 °C)
- Electrostatic Sensitive Device (ESD)

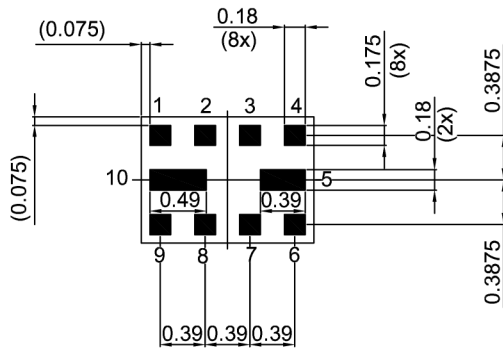


**Figure 1:** Picture of component with example of product marking.

Data sheet

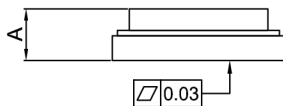
3 Package

BOTTOM VIEW

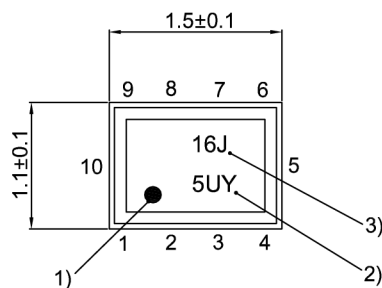


Pad and pitch tolerance ±0.05

SIDE VIEW

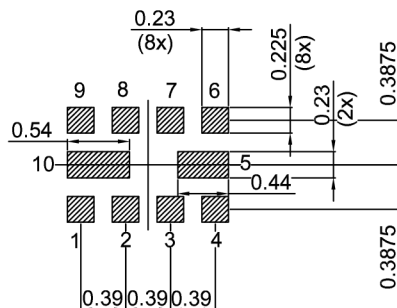


TOP VIEW



- 1) Marking for pad number 1
- 2) Example of encoded lot number
- 3) Example of encoded filter type number

Land pattern THRU VIEW



Landing pad tolerance -0.02

**Figure 2:** Drawing of package with package height A = 0.45 mm (max.). See Simplified drawings (p. 18).

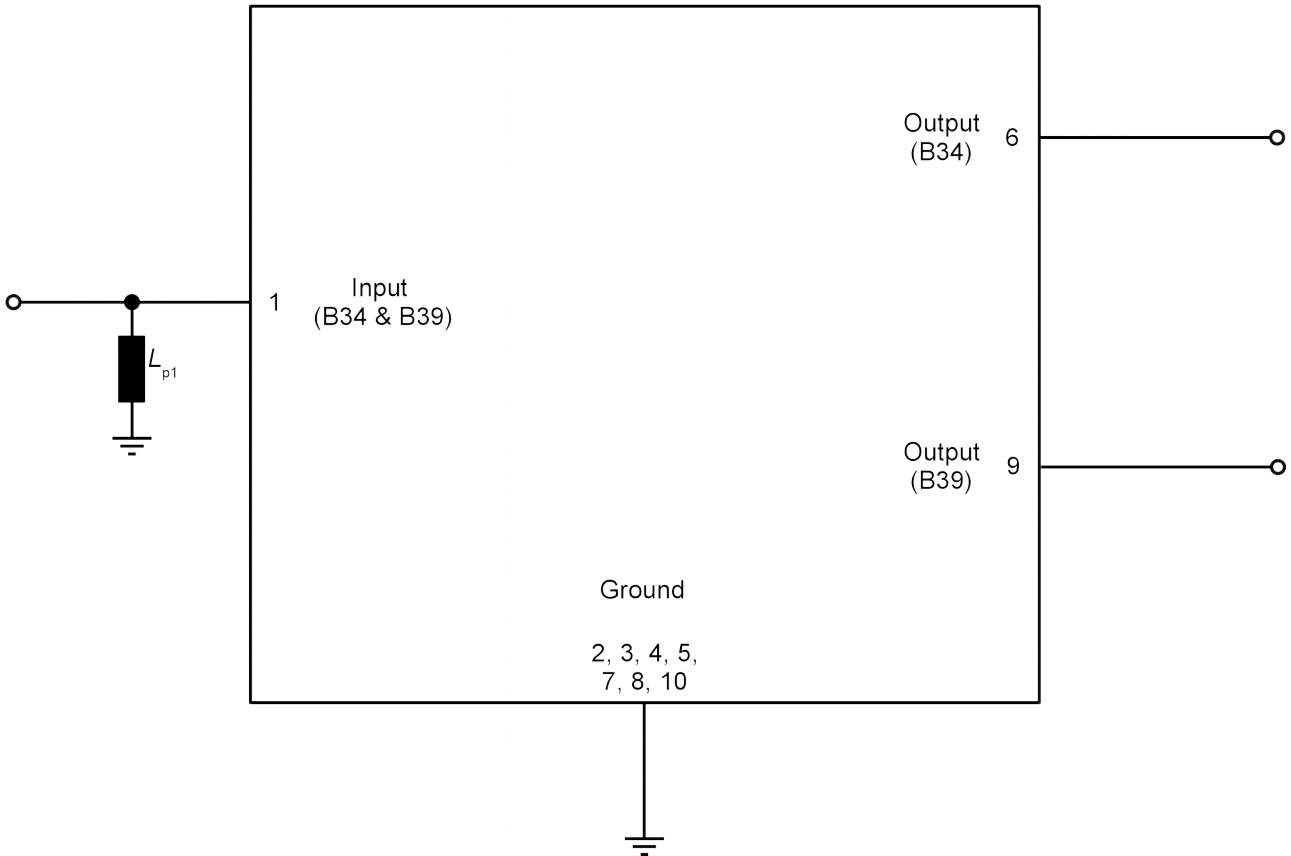
4 Pin configuration

- 1 Input (B34 & B39)
- 6 Output (B34)
- 9 Output (B39)
- 2, 3, 4, 5, 7, 8, 10 Ground

Data sheet

**5 Matching circuit**

■  $L_{p1} = 4.6 \text{ nH}$



**Figure 3:** Schematic of matching circuit.

Data sheet

**6 Characteristics TD-SCDMA B34**

Temperature range for specification	$T_{SPEC}$	= -30 °C ... +85 °C
B34 B39 input terminating impedance	$Z_{B34 B39 IN}$	= 50 $\Omega$ with par. 4.6 nH <sup>1)</sup>
B34 output terminating impedance	$Z_{B34 OUT}$	= 50 $\Omega$
B39 output terminating impedance	$Z_{B39 OUT}$	= 50 $\Omega$

Characteristics TD-SCDMA B34				min. for $T_{SPEC}$	typ. @+25 °C	max. for $T_{SPEC}$	
<b>Center frequency</b>			$f_C$	—	2017.5	—	MHz
<b>Maximum insertion attenuation</b>	2010... 2025	MHz	$\alpha_{max}$	—	1.7	2.3	dB
<b>Amplitude ripple (p-p)</b>	2010... 2025	MHz	$\Delta\alpha$	—	0.4	0.9	dB
<b>Maximum VSWR</b>			VSWR <sub>max</sub>				
@ B34 B39 input port	2010... 2025	MHz		—	1.4	1.9	
@ B34 output port	2010... 2025	MHz		—	1.4	1.9	
<b>Minimum attenuation</b>			$\alpha_{min}$				
	50... 1000	MHz		35	38	—	dB
	1000... 1850	MHz		30	34	—	dB
	1850... 1930	MHz		33	38	—	dB
	1930... 1950	MHz		30	35	—	dB
	1950... 1980	MHz		7	18	—	dB
	2050... 2075	MHz		2.8	10	—	dB
	2075... 2100	MHz		27	33	—	dB
	2100... 2800	MHz		33	38	—	dB
	2800... 4100	MHz		35	40	—	dB
	4100... 4900	MHz		29	36	—	dB
	4900... 6000	MHz		23	30	—	dB

<sup>1)</sup> See Matching circuit (p. 5).



Data sheet

**7 Characteristics TD-SCDMA B39**

Temperature range for specification	$T_{SPEC}$	= -30 °C ... +85 °C
B34 B39 input terminating impedance	$Z_{B34 B39 IN}$	= 50 $\Omega$ with par. 4.6 nH <sup>1)</sup>
B34 output terminating impedance	$Z_{B34 OUT}$	= 50 $\Omega$
B39 output terminating impedance	$Z_{B39 OUT}$	= 50 $\Omega$

Characteristics TD-SCDMA B39				min. for $T_{SPEC}$	typ. @+25 °C	max. for $T_{SPEC}$	
<b>Center frequency</b>			$f_C$	—	1900	—	MHz
<b>Maximum insertion attenuation</b>	1880... 1920	MHz	$\alpha_{max}$	—	1.9	2.4	dB
<b>Amplitude ripple (p-p)</b>	1880... 1920	MHz	$\Delta\alpha$	—	0.6	1.2	dB
<b>Maximum VSWR</b>			VSWR <sub>max</sub>				
@ B34 B39 input port	1880... 1920	MHz		—	1.6	2.0	
@ B39 output port	1880... 1920	MHz		—	1.7	2.0	
<b>Minimum attenuation</b>			$\alpha_{min}$				
	50... 925	MHz		31	34	—	dB
	925... 960	MHz		31	34	—	dB
	960... 1805	MHz		25	29	—	dB
	1805... 1840	MHz		27	35	—	dB
	1840... 1850	MHz		26	34	—	dB
	1982... 2005	MHz		28	32	—	dB
	2005... 2800	MHz		28	33	—	dB
	2800... 3700	MHz		32	38	—	dB
	3700... 5400	MHz		20	27	—	dB
	5400... 6000	MHz		16	24	—	dB

<sup>1)</sup> See Matching circuit (p. 5).

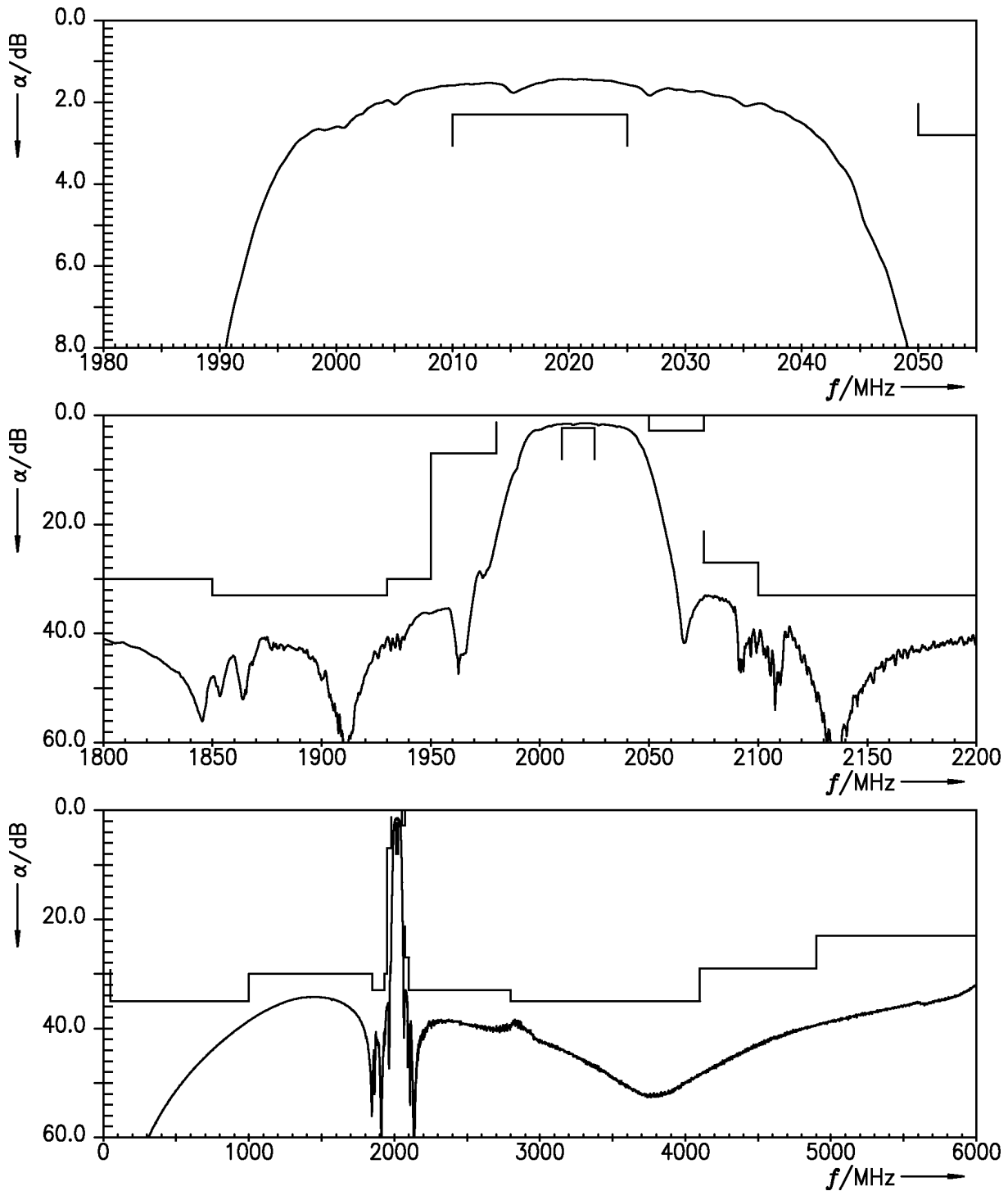
Data sheet

## 8 Maximum ratings

Operable temperature	$T_{OP} = -40\text{ °C} \dots +85\text{ °C}$	
Storage temperature	$T_{STG} = -40\text{ °C} \dots +85\text{ °C}$	
DC voltage	$V_{DC} = 0\text{ V}$	
Input power	$P_{IN}$	
@ B34 B39 input port: 1880 ... 1920 MHz	10 dBm	Continuous wave for 100000 h @ 85 °C.
@ B34 B39 input port: 2010 ... 2025 MHz	10 dBm	Continuous wave for 100000 h @ 85 °C.

Data sheet

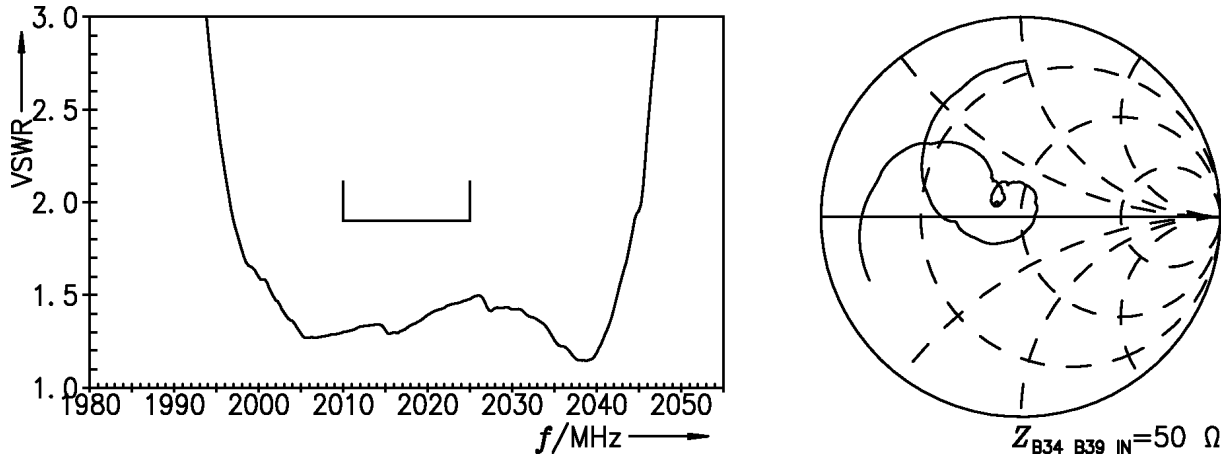
**9 Transmission coefficient TD-SCDMA B34**



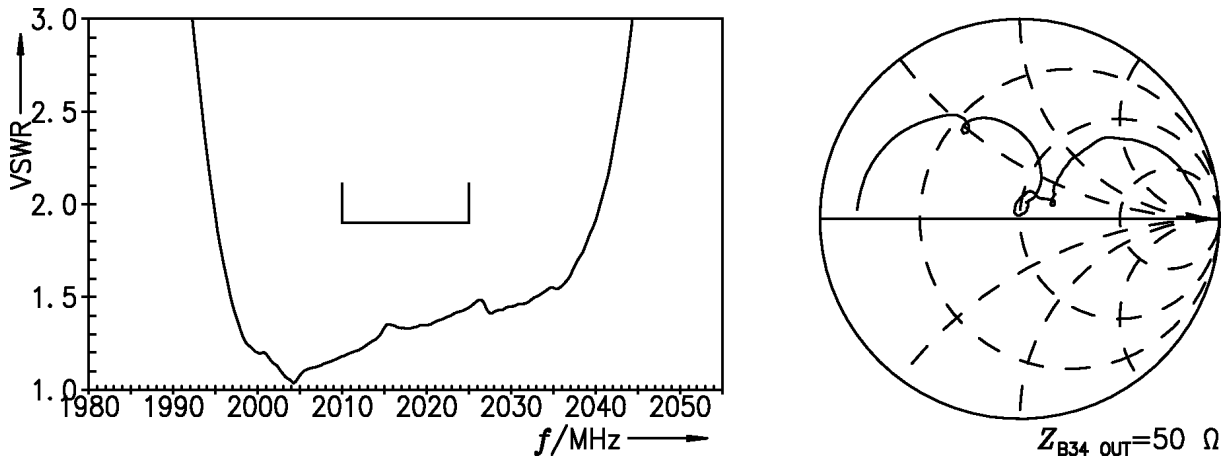
**Figure 4:** Attenuation TD-SCDMA B34.

Data sheet

**10 Reflection coefficients TD-SCDMA B34**



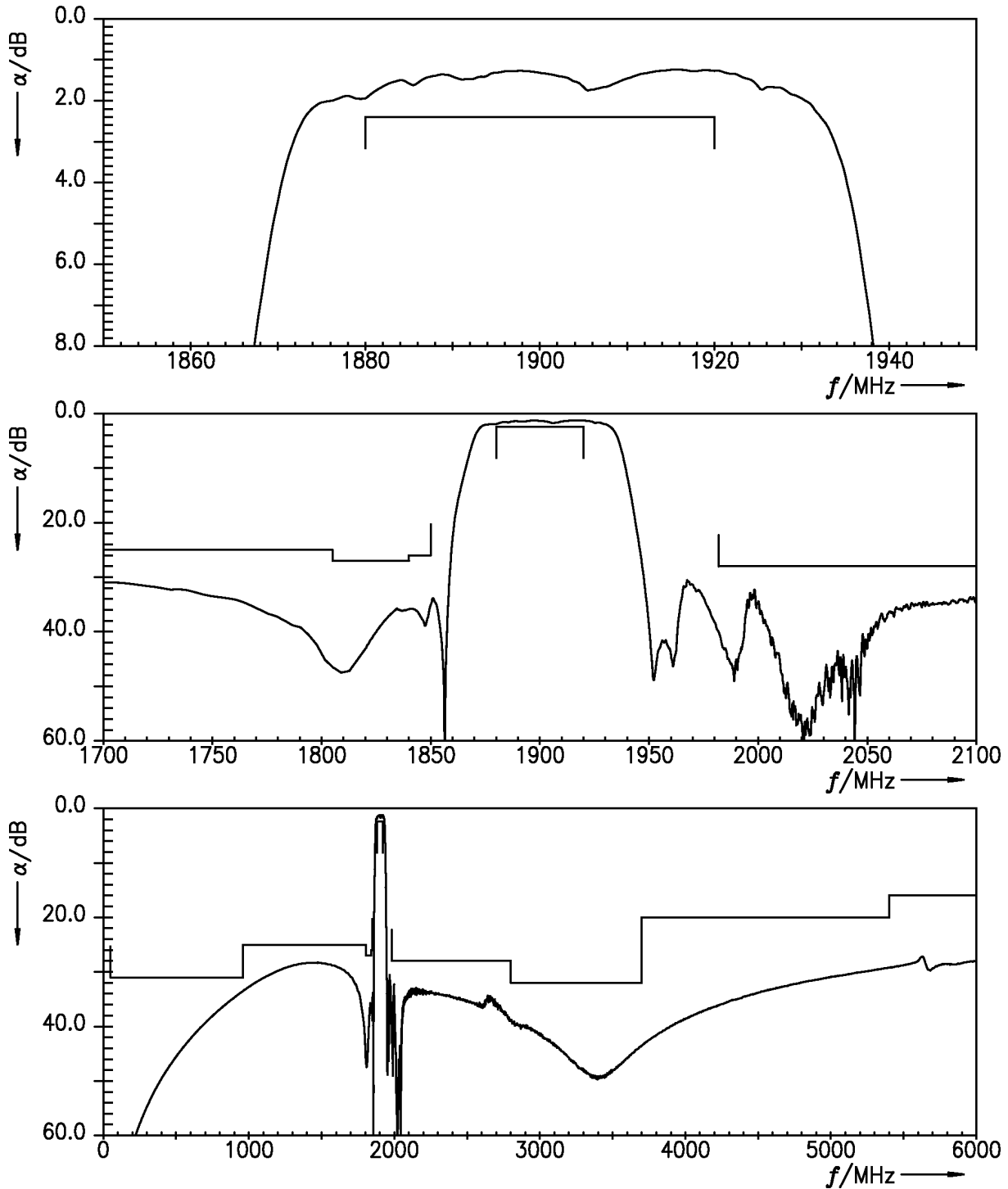
**Figure 5:** Reflection coefficient TD-SCDMA B34 at IN port.



**Figure 6:** Reflection coefficient TD-SCDMA B34 at OUT port.

Data sheet

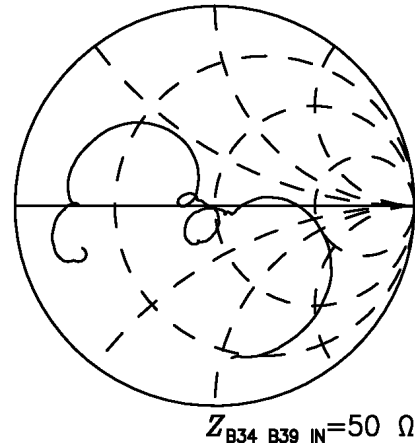
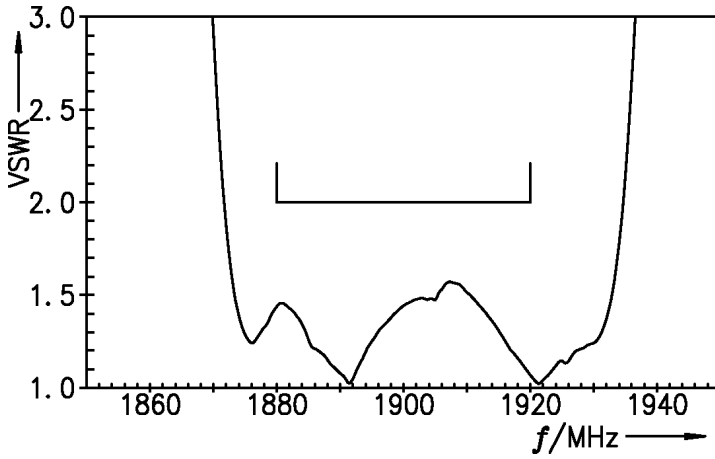
**11 Transmission coefficient TD-SCDMA B39**



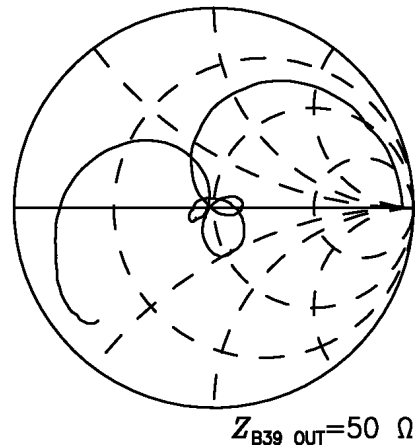
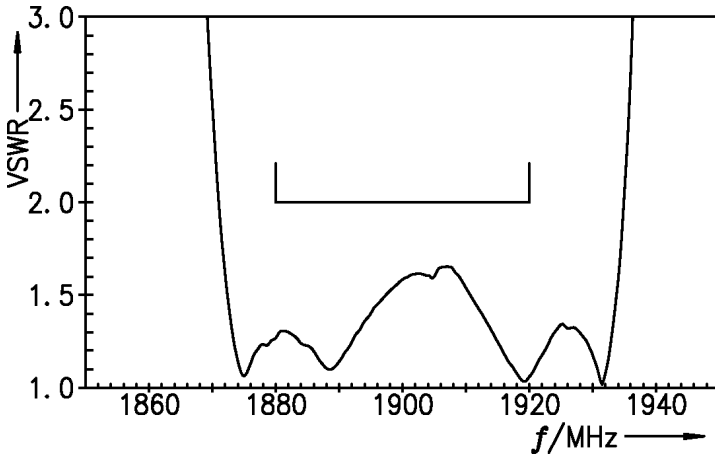
**Figure 7:** Attenuation TD-SCDMA B39.

Data sheet

**12 Reflection coefficients TD-SCDMA B39**



**Figure 8:** Reflection coefficient TD-SCDMA B39 at IN port.

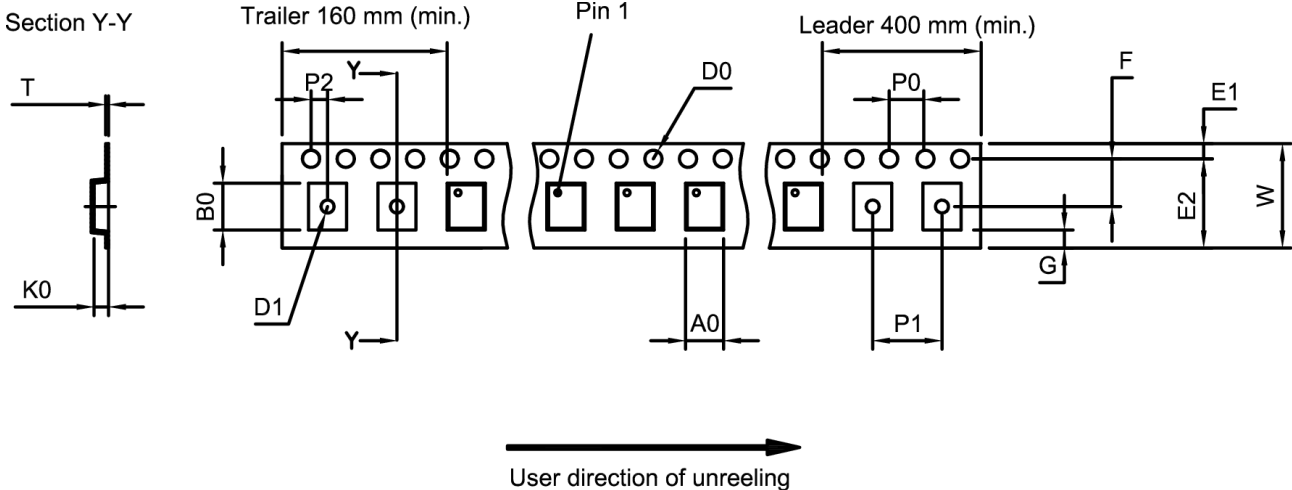


**Figure 9:** Reflection coefficient TD-SCDMA B39 at OUT port.

Data sheet

**13 Packing material**

**13.1 Tape**

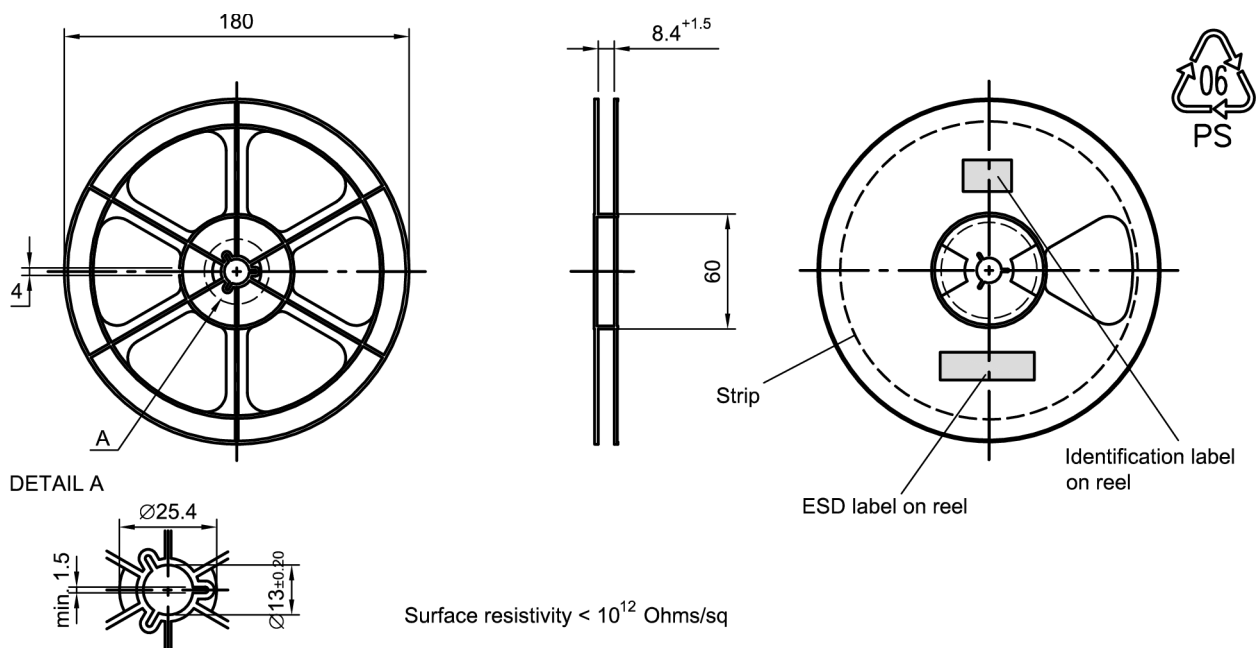


**Figure 10:** Drawing of tape (first-angle projection) with tape dimensions according to Table 1.

A <sub>0</sub>	1.27 $\pm$ 0.05 mm	E <sub>2</sub>	6.25 mm (min.)	P <sub>1</sub>	4.0 $\pm$ 0.1 mm
B <sub>0</sub>	1.67 $\pm$ 0.05 mm	F	3.5 $\pm$ 0.05 mm	P <sub>2</sub>	2.0 $\pm$ 0.05 mm
D <sub>0</sub>	1.5 $\pm$ 0.1/-0 mm	G	0.75 mm (min.)	T	0.25 $\pm$ 0.03 mm
D <sub>1</sub>	0.5 $\pm$ 0.1/-0 mm	K <sub>0</sub>	0.55 $\pm$ 0.05 mm	W	8.0 $\pm$ 0.3/-0.1 mm
E <sub>1</sub>	1.75 $\pm$ 0.1 mm	P <sub>0</sub>	4.0 $\pm$ 0.1 mm		

**Table 1:** Tape dimensions.

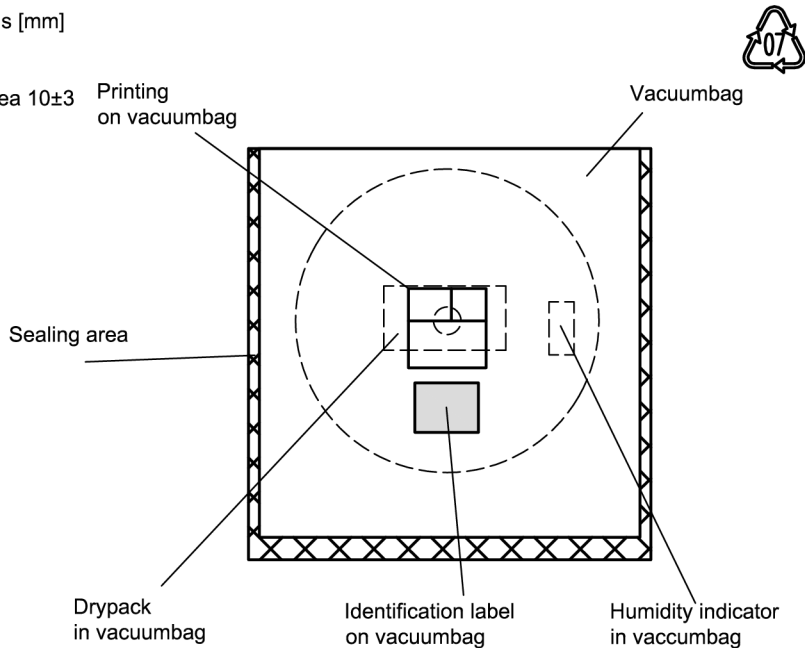
**13.2 Reel with diameter of 180 mm**



**Figure 11:** Drawing of reel (first-angle projection) with diameter of 180 mm.

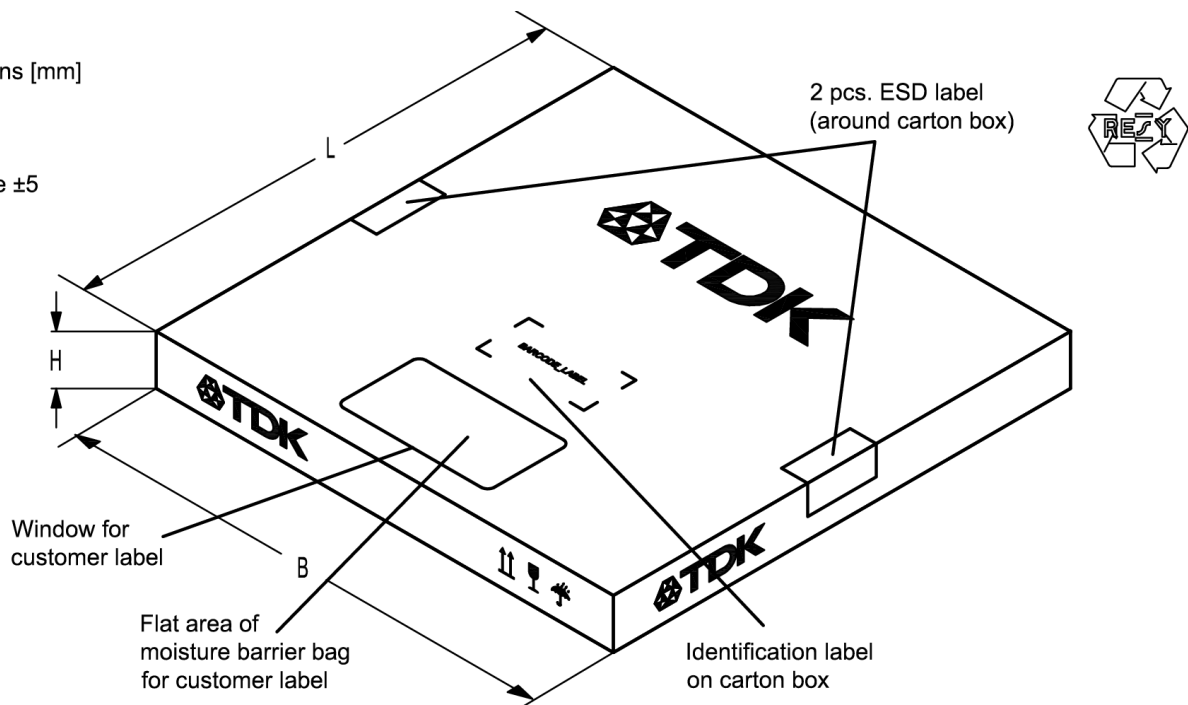
Data sheet

Dimensions [mm]  
 X = 220±5  
 Y = 235±5  
 Sealing area 10±3



**Figure 12:** Drawing of moisture barrier bag (MBB) for reel with diameter of 180 mm.

Dimensions [mm]  
 L = 188  
 B = 188  
 H = 30  
 Tolerance ±5



**Figure 13:** Drawing of folding box for reel with diameter of 180 mm.

**14 Marking**

Products are marked with product type number and lot number encoded according to Table 2:

■ Type number:



Data sheet

The 4 digit type number of the ordering code, is encoded by a special BASE32 code into a 3 digit marking.

e.g., B3xxxxB**1234**xxxx,

Example of decoding type number marking on device

in decimal code.

$$\begin{aligned} & \mathbf{16J} & \Rightarrow & \mathbf{1234} \\ & \mathbf{1 \times 32^2 + 6 \times 32^1 + 18 (=J) \times 32^0} & = & \mathbf{1234} \end{aligned}$$

The BASE32 code for product type B4384 is 490.

■ Lot number:

The last 5 digits of the lot number, are encoded based on a special BASE47 code into a 3 digit marking.

e.g., **12345**,

Example of decoding lot number marking on device

in decimal code.

$$\begin{aligned} & \mathbf{5UY} & \Rightarrow & \mathbf{12345} \\ & \mathbf{5 \times 47^2 + 27 (=U) \times 47^1 + 31 (=Y) \times 47^0} & = & \mathbf{12345} \end{aligned}$$

Adopted BASE32 code for type number			
Decimal value	Base32 code	Decimal value	Base32 code
0	0	16	G
1	1	17	H
2	2	18	J
3	3	19	K
4	4	20	M
5	5	21	N
6	6	22	P
7	7	23	Q
8	8	24	R
9	9	25	S
10	A	26	T
11	B	27	V
12	C	28	W
13	D	29	X
14	E	30	Y
15	F	31	Z

Adopted BASE47 code for lot number			
Decimal value	Base47 code	Decimal value	Base47 code
0	0	24	R
1	1	25	S
2	2	26	T
3	3	27	U
4	4	28	V
5	5	29	W
6	6	30	X
7	7	31	Y
8	8	32	Z
9	9	33	b
10	A	34	d
11	B	35	f
12	C	36	h
13	D	37	n
14	E	38	r
15	F	39	t
16	G	40	v
17	H	41	\
18	J	42	?
19	K	43	{
20	L	44	}
21	M	45	<
22	N	46	>
23	P		

**Table 2:** Lists for encoding and decoding of marking.

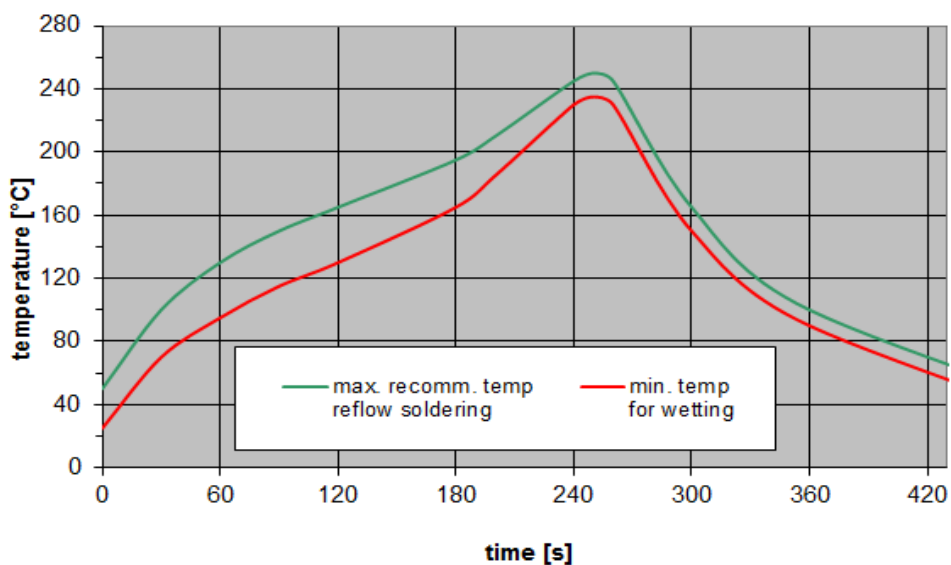
Data sheet

## 15 Soldering profile

The recommended soldering process is in accordance with IEC 60068-2-58 – 3<sup>rd</sup> edit and IPC/JEDEC J-STD-020B.

ramp rate	$\leq 3$ K/s
preheat	125 °C to 220 °C, 150 s to 210 s, 0.4 K/s to 1.0 K/s
$T > 220$ °C	30 s to 70 s
$T > 230$ °C	min. 10 s
$T > 245$ °C	max. 20 s
$T \geq 255$ °C	–
peak temperature $T_{peak}$	250 °C +0/-5 °C
wetting temperature $T_{min}$	230 °C +5/-0 °C for 10 s $\pm$ 1 s
cooling rate	$\leq 3$ K/s
soldering temperature $T$	measured at solder pads

**Table 3:** Characteristics of recommended soldering profile for lead-free solder (Sn95.5Ag3.8Cu0.7).



**Figure 14:** Recommended reflow profile for convection and infrared soldering – lead-free solder.

Data sheet

## 16 Annotations

### 16.1 Matching coils

See TDK inductor pdf-catalog <http://www.tdk.co.jp/tefe02/coil.htm#aname1> and Data Library for circuit simulation <http://www.tdk.co.jp/etvcl/index.htm>.

### 16.2 RoHS compatibility

ROHS-compatible means that products are compatible with the requirements according to Art. 4 (substance restrictions) of Directive 2011/65/EU of the European Parliament and of the Council of June 8th, 2011, on the restriction of the use of certain hazardous substances in electrical and electronic equipment ("Directive") with due regard to the application of exemptions as per Annex III of the Directive in certain cases.

### 16.3 Scattering parameters (S-parameters)

The pin/port assignment is available in the headers of the S-parameter files. Please contact your local EPCOS sales office.

Data sheet

## 17 Cautions and warnings

### 17.1 Display of ordering codes for EPCOS products

The ordering code for one and the same product can be represented differently in data sheets, data books, other publications and the website of EPCOS, or in order-related documents such as shipping notes, order confirmations and product labels. The varying representations of the ordering codes are due to different processes employed and do not affect the specifications of the respective products. Detailed information can be found on the Internet under [www.epcos.com/orderingcodes](http://www.epcos.com/orderingcodes).

### 17.2 Material information

Due to technical requirements components may contain dangerous substances. For information on the type in question please also contact one of our sales offices.

### 17.3 Moldability

Before using in overmolding environment, please contact your local EPCOS sales office.

### 17.4 Simplified drawings

#### Landing area

The printed circuit board (PCB) land pattern (landing area) shown is based on EPCOS internal development and empirical data and illustrated for example purposes, only. As customers' SMD assembly processes may have a plenty of variants and influence factors which are not under control or knowledge of EPCOS, additional careful process development on customer side is necessary and strongly recommended in order to achieve best soldering results tailored to the particular customer needs.

#### Dimensions

Unless otherwise specified all dimensions are understood using unit millimeter (mm).

Dimensions do not include burrs.

#### Projection method

Unless otherwise specified first-angle projection is applied.

## Important notes

The following applies to all products named in this publication:

1. Some parts of this publication contain **statements about the suitability of our products for certain areas of application**. These statements are based on our knowledge of typical requirements that are often placed on our products in the areas of application concerned. We nevertheless expressly point out **that such statements cannot be regarded as binding statements about the suitability of our products for a particular customer application**. As a rule, EPCOS is either unfamiliar with individual customer applications or less familiar with them than the customers themselves. For these reasons, it is always ultimately incumbent on the customer to check and decide whether an EPCOS product with the properties described in the product specification is suitable for use in a particular customer application.
2. We also point out that **in individual cases, a malfunction of electronic components or failure before the end of their usual service life cannot be completely ruled out in the current state of the art, even if they are operated as specified**. In customer applications requiring a very high level of operational safety and especially in customer applications in which the malfunction or failure of an electronic component could endanger human life or health (e.g. in accident prevention or life-saving systems), it must therefore be ensured by means of suitable design of the customer application or other action taken by the customer (e.g. installation of protective circuitry or redundancy) that no injury or damage is sustained by third parties in the event of malfunction or failure of an electronic component.
3. **The warnings, cautions and product-specific notes must be observed.**
4. In order to satisfy certain technical requirements, **some of the products described in this publication may contain substances subject to restrictions in certain jurisdictions (e.g. because they are classed as hazardous)**. Useful information on this will be found in our Material Data Sheets on the Internet ([www.epcos.com/material](http://www.epcos.com/material)). Should you have any more detailed questions, please contact our sales offices.
5. We constantly strive to improve our products. Consequently, **the products described in this publication may change from time to time**. The same is true of the corresponding product specifications. Please check therefore to what extent product descriptions and specifications contained in this publication are still applicable before or when you place an order. We also **reserve the right to discontinue production and delivery of products**. Consequently, we cannot guarantee that all products named in this publication will always be available.  
The aforementioned does not apply in the case of individual agreements deviating from the foregoing for customer-specific products.
6. Unless otherwise agreed in individual contracts, **all orders are subject to the current version of the “General Terms of Delivery for Products and Services in the Electrical Industry” published by the German Electrical and Electronics Industry Association (ZVEI)**.
7. The trade names EPCOS, Alu-X, CeraDiode, CeraLink, CeraPad, CeraPlas, CSMP, CSSP, CTVS, DeltaCap, DigiSiMic, DSSP, ExoCore, FilterCap, FormFit, LeaXield, MiniBlue, MiniCell, MKD, MKK, MotorCap, PCC, PhaseCap, PhaseCube, PhaseMod, PhiCap, PQSine, SIFERRIT, SIFI, SIKOREL, SilverCap, SIMDAD, SiMic, SIMID, SineFormer, SIOV, SIP5D, SIP5K, TFAP, ThermoFuse, WindCap are **trademarks registered or pending** in Europe and in other countries. Further information will be found on the Internet at [www.epcos.com/trademarks](http://www.epcos.com/trademarks).

# Mouser Electronics

Authorized Distributor

Click to View Pricing, Inventory, Delivery & Lifecycle Information:

[Qualcomm RF360:](#)

[B39202B4384P810](#)

Компания «Life Electronics» занимается поставками электронных компонентов импортного и отечественного производства от производителей и со складов крупных дистрибьюторов Европы, Америки и Азии.

С конца 2013 года компания активно расширяет линейку поставок компонентов по направлению коаксиальный кабель, кварцевые генераторы и конденсаторы (керамические, пленочные, электролитические), за счёт заключения дистрибьюторских договоров

Мы предлагаем:

- Конкурентоспособные цены и скидки постоянным клиентам.
- Специальные условия для постоянных клиентов.
- Подбор аналогов.
- Поставку компонентов в любых объемах, удовлетворяющих вашим потребностям.
- Приемлемые сроки поставки, возможна ускоренная поставка.
- Доставку товара в любую точку России и стран СНГ.
- Комплексную поставку.
- Работу по проектам и поставку образцов.
- Формирование склада под заказчика.
- Сертификаты соответствия на поставляемую продукцию (по желанию клиента).
- Тестирование поставляемой продукции.
- Поставку компонентов, требующих военную и космическую приемку.
- Входной контроль качества.
- Наличие сертификата ISO.

В составе нашей компании организован Конструкторский отдел, призванный помогать разработчикам, и инженерам.

Конструкторский отдел помогает осуществить:

- Регистрацию проекта у производителя компонентов.
- Техническую поддержку проекта.
- Защиту от снятия компонента с производства.
- Оценку стоимости проекта по компонентам.
- Изготовление тестовой платы монтаж и пусконаладочные работы.



Тел: +7 (812) 336 43 04 (многоканальный)  
Email: [org@lifeelectronics.ru](mailto:org@lifeelectronics.ru)