

**Note:** All part numbers are RoHS Compliant.

**Table of Contents—Europa**

Overview (Selector Chart) .....214, 215  
 (Catalog Numbering Code) .....216  
 (Introduction) .....217

**Europa—Tubular Screw Barrier Strips** .....218-233

8mm [.315] Pitch, 30A, Series TSB230 .....218-220  
 10mm [.394] Pitch, 30A, Series TSB500 .....221-224  
 10mm [.394] Pitch, Fused Blocks, Series 503Si .....225  
 12mm [.472] Pitch, 40-50A, Series TSB1000 .....226  
 12mm [.472] Pitch, Fused Blocks, Series 1003Si .....229  
 13.5mm [.531] Pitch, 40A, Series TSB1500 .....230  
 14.5mm [.571] Pitch, 65A, Series TSB2000 .....231-233  
 Accessories .....234-237

Europa Terminal  
Blocks  
**5**

## Europa Selector Chart

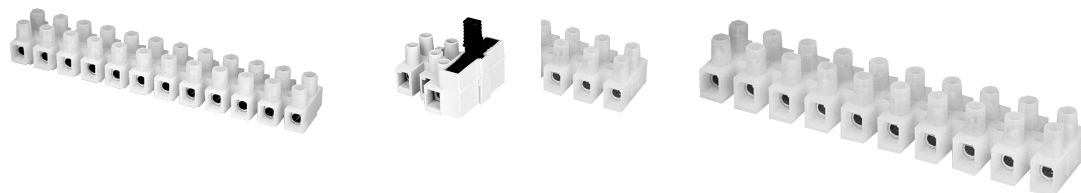
### Panel Mounted Modular Blocks



| Series                      | TSB230       | TSB230...HT  | TSB500        | TSB500...HT   | TSB500SK      | 500Si                    | 503Si         |
|-----------------------------|--------------|--------------|---------------|---------------|---------------|--------------------------|---------------|
| <b>Pitch (mm)<br/>(in.)</b> | 8mm<br>.315" | 8mm<br>.315" | 10mm<br>.394" | 10mm<br>.394" | 10mm<br>.394" | 10, 12mm<br>.394", .472" | 10mm<br>.394" |
| <b>Circuits</b>             | 1-12         | 1-12         | 1-12          | 1-12          | 1-12          | 1                        | 1-5           |
| <b>Max. Current</b>         |              |              |               |               |               |                          |               |
| Wire protector              | 30A          | 30A          | 30A           | 30A           | 30A           | —                        | 10A           |
| Tunnel connection           | 30A          | —            | 40A           | —             | 30A           | 10A                      | 10A           |
| <b>Max. Voltage</b>         | 250V         | 250V         | 250V          | 250V          | 600V          | 250V                     | 250V          |
| <b>Wire Range (AWG)</b>     |              |              |               |               |               |                          |               |
| Wire protector              | 12-26        | 12-26        | 10-24         | 12-24         | 12-24         | —                        | 12-22         |
| Tunnel connection           | 12-24        | —            | 10-22         | —             | 10-22         | 12-22                    | 12-22         |
| <b>Flammability</b>         | UL94V-2      | UL94V-0      | UL94V-2       | UL94V-0       | UL94V-2       | UL94V-2                  | UL94V-2       |
| <b>Max. Temp.</b>           | 100° C       | 150° C       | 100° C        | 150° C        | 100° C        | 100° C                   | 100° C        |
| <b>Page</b>                 | 218, 219     | 220          | 221           | 223           | 224           | 234                      | 225           |

**Europa Selector Chart** (Continued)

**Panel Mounted Modular Blocks**

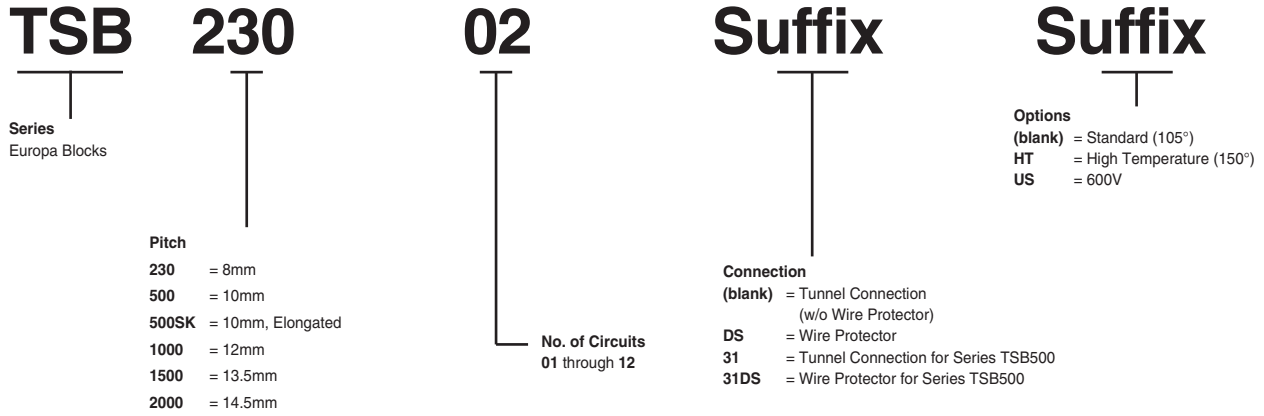


| Series                      | TSB1000       | TSB1000...HT  | 1003Si               | TSB1500         | TSB2000         | TSB2000...HT    | TSB2000...US    |
|-----------------------------|---------------|---------------|----------------------|-----------------|-----------------|-----------------|-----------------|
| <b>Pitch (mm)<br/>(in.)</b> | 12mm<br>.472" | 12mm<br>.472" | 7/12mm<br>.275-.472" | 13.5mm<br>.532" | 14.5mm<br>.571" | 14.5mm<br>.571" | 14.5mm<br>.571" |
| <b>Circuits</b>             | 1-12          | 1-12          | 1-5                  | 1-12            | 1-12            | 1-12            | 1-12            |
| <b>Max. Current</b>         |               |               |                      |                 |                 |                 |                 |
| Wire protector              | 40A           | 40A           | 16A                  | 40A             | 65A             | 65A             | 65A             |
| Tunnel connection           | 40A           | —             | 16A                  | 40A             | 65A             | 65A             | 65A             |
| <b>Max. Voltage</b>         | 250V          | 250V          | 250V                 | 300V            | 300V            | 300V            | 600V            |
| <b>Wire Range (AWG)</b>     |               |               |                      |                 |                 |                 |                 |
| Wire protector              | 10-22         | 10-24         | 10-24                | 8-18            | 6-14            | 6-14            | 6-14            |
| Tunnel connection           | 8-22          | —             | 8-22                 | 8-16            | 6-14            | 6-14            | 6-14            |
| <b>Flammability</b>         | UL94V-2       | UL94V-0       | UL94V-2              | UL94V-2         | UL94V-2         | UL94V-0         | UL94V-2         |
| <b>Max. Temp.</b>           | 100° C        | 150° C        | 100° C               | 100° C          | 100° C          | 150° C          | 100° C          |
| <b>Page</b>                 | 226, 227      | 228           | 229                  | 230             | 231             | 232             | 233             |

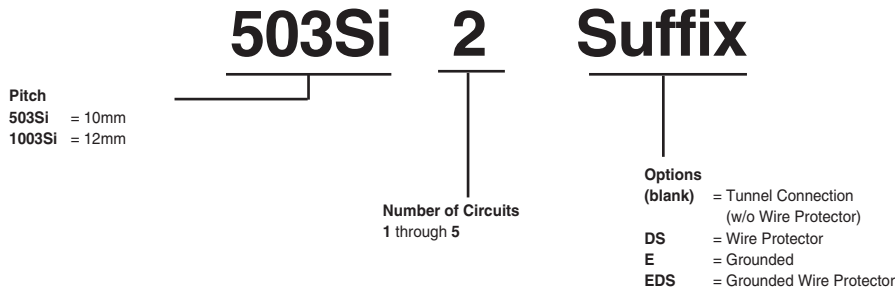
**Note:** All part numbers are RoHS Compliant.

## Catalog Numbering Code

### Europa Blocks



### Fused Europa Blocks

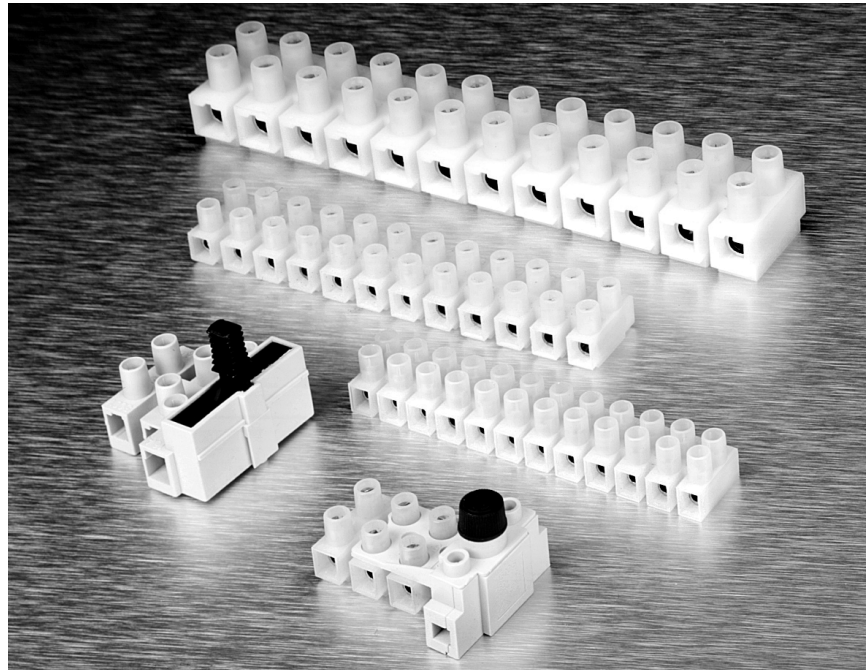


Note: Some catalog number combinations are not valid. Check appropriate catalog pages before ordering.

## Europa Blocks

### Product Facts

- n **Modular design** — cut into smaller sections without altering electrical properties or order product molded to length. Mounting holes between every circuit.
- n **Tubular contacts** — connect stripped, unterminated solid or stranded wire directly to each contact — no wire lugs needed.
- n **High voltage and current ratings** — rated up to 600 volts and up to 65 amps depending on model and wire size used.
- n **Broad Wire Range** — use wire from #6 to #26 AWG depending on model selected.
- n **Wire protectors** — all models available with wire protectors to virtually eliminate twisting and breakage of stranded wire during connection.
- n **High circuit density** — five models provide from 21 to 38 circuits per foot.
- n **“Dead-front” construction** — both screws and tubular contacts are recessed in housing for safety and to help prevent short circuits.
- n **Captive screws** — zinc with chromate plated steel screws are captive in tin plated brass contacts. They are supplied “backed-out” and ready to wire.
- n **Flammability rating of UL94V-2 is standard. High Temperature versions with UL94V-0 are available.**
- n **Wire stop available on some versions.**



Tyco Electronics Corporation offers the most extensive line of Europa products in five pitches:

- n 8mm [.315]
- n 10mm [.394]
- n 12mm [.472]
- n 13.5mm [.531]
- n 14.5mm [.571]

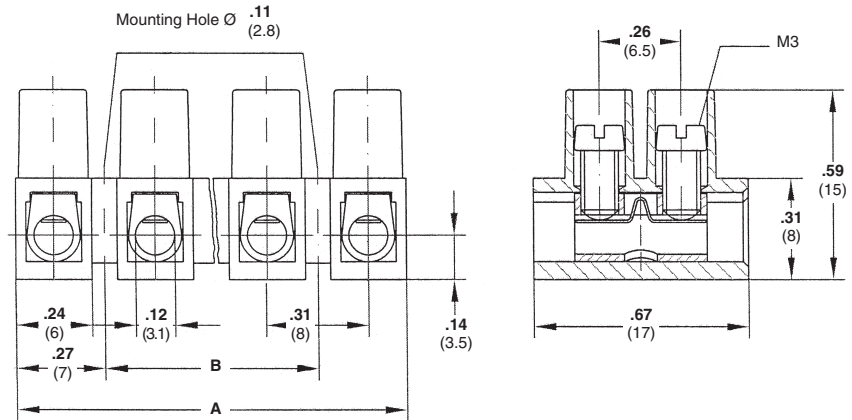
Two connection styles are available. The Wire Protector version supplies a plate to shield the wire from being cut by the screw. The Tunnel connection is the same design, but without the shielding plate – it is ideal for solid wire or where the most economical price is required.

### Applications include:

- n Motor Controls
- n Power Supplies
- n Telecom
- n Valve Actuators
- n Spa Controllers
- n Lighting

**Note:** All part numbers are RoHS Compliant.

**8mm [.315] Pitch, 30A with Wire Protector—Series TSB230**



**Material & Finish**

- Housing Material**—Polyamide 6
- Flammability**—UL94V-2
- Color**—natural (off white)
- Tubular Contact**—Brass, tin plated
- Screw**—Steel, M3
- Screw Plating**—Zinc with chromate
- Wire Protector**—Stainless steel

**Mechanical Properties**

- Pitch (terminal spacing)**—8mm [.315"]
- Wire Strip Length**—5mm [0.20"]
- Min. Wire Pull-Out Force**—75lbs.
- Recommended Tightening Torque**—5in.- lbs.
- Recommended Screwdrivers**—Stanley 1016, Sears Craftsman 41429, Xcelite R184

**Electrical Properties**

- Maximum Current**—30A
- Operating Voltage**—250V
- Wire Range**—12-26 AWG
- Dielectric Withstand**—3000V

**Environmental Properties**

- Continuous Working Temperature**—-35°C to +100°C [-31°F to +212°F]

| No. of Positions | Dimensions |           | Wire Protector |                |
|------------------|------------|-----------|----------------|----------------|
|                  | A          | B         | Part Number    | Catalog Number |
| 1                | 6 (.24)    | —         | 1776293-1      | TSB230 01DS    |
| 2                | 14 (.55)   | —         | 1776293-2      | TSB230 02DS    |
| 3                | 22 (.87)   | 8 (.31)   | 1776293-3      | TSB230 03DS    |
| 4                | 30 (1.18)  | 16 (.63)  | 1776293-4      | TSB230 04DS    |
| 5                | 38 (1.50)  | 24 (.94)  | 1776293-5      | TSB230 05DS    |
| 6                | 46 (1.81)  | 32 (1.26) | 1776293-6      | TSB230 06DS    |
| 7                | 54 (2.13)  | 40 (1.57) | 1776293-7      | TSB230 07DS    |
| 8                | 62 (2.44)  | 48 (1.89) | 1776293-8      | TSB230 08DS    |
| 9                | 70 (2.76)  | 56 (2.20) | 1776293-9      | TSB230 09DS    |
| 10               | 78 (3.07)  | 64 (2.52) | 1-1776293-0    | TSB230 10DS    |
| 11               | 86 (3.39)  | 72 (2.83) | 1-1776293-1    | TSB230 11DS    |
| 12               | 94 (3.70)  | 80 (3.15) | 1-1776293-2    | TSB230 12DS    |

**Note:** All part numbers are RoHS Compliant.

**8mm [.315] Pitch, 30A, with Tunnel Connection—Series TSB230**



**Material & Finish**

- Housing Material**—Polyamide 6
- Flammability**—UL94V-2
- Color**—natural (off white)
- Tubular Contact**—Brass, tin plated
- Screw**—Steel, M3
- Screw Plating**—Zinc with chromate

**Mechanical Properties**

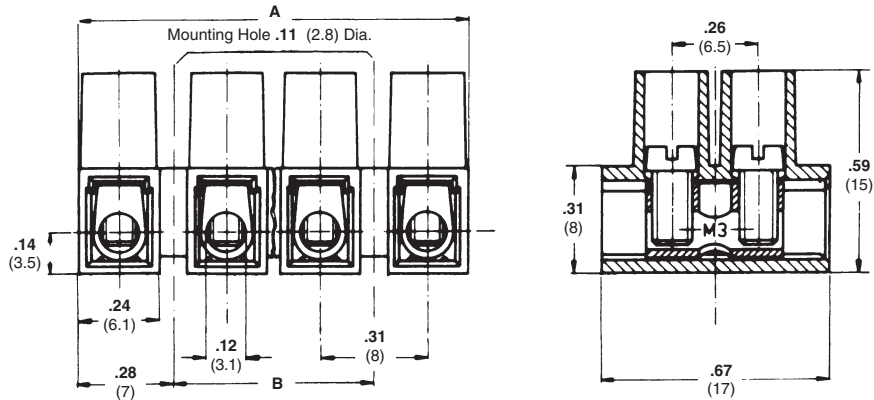
- Pitch (terminal spacing)**—8mm [.315]
- Wire Strip Length**—5mm [0.20"]
- Min. Wire Pull-Out Force**—75lbs.
- Recommended Tightening Torque**—5in.-lbs.
- Recommended Screwdrivers**—Stanley 1016, Sears Craftsman 41429, Xcelite R184

**Electrical Properties**

- Maximum Current**—30A
- Operating Voltage**—250V
- Wire Range**—12-24 AWG
- Dielectric Withstand**—3000V

**Environmental Properties**

- Continuous Working Temperature**—-35°C to +100°C [-31°F to +212°F]

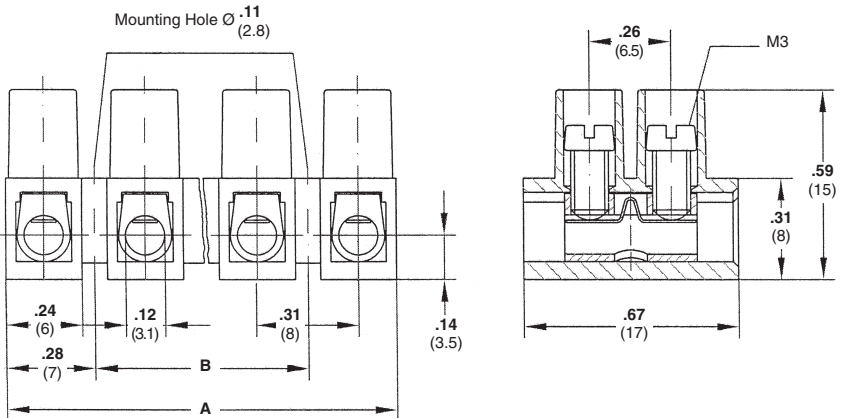
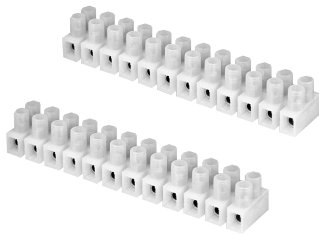


| No. of Positions | Dimensions |           | Tunnel Connection |                |
|------------------|------------|-----------|-------------------|----------------|
|                  | A          | B         | Part Number       | Catalog Number |
| 1                | 6 (.24)    | —         | 1776294-1         | TSB230 01      |
| 2                | 14 (.55)   | —         | 1776294-2         | TSB230 02      |
| 3                | 22 (.87)   | 8 (.31)   | 1776294-3         | TSB230 03      |
| 4                | 30 (1.18)  | 16 (.63)  | 1776294-4         | TSB230 04      |
| 5                | 38 (1.50)  | 24 (.94)  | 1776294-5         | TSB230 05      |
| 6                | 46 (1.81)  | 32 (1.26) | 1776294-6         | TSB230 06      |
| 7                | 54 (2.13)  | 40 (1.57) | 1776294-7         | TSB230 07      |
| 8                | 62 (2.44)  | 48 (1.89) | 1776294-8         | TSB230 08      |
| 9                | 70 (2.76)  | 56 (2.20) | 1776294-9         | TSB230 09      |
| 10               | 78 (3.07)  | 64 (2.52) | 1-1776294-0       | TSB230 10      |
| 11               | 86 (3.39)  | 72 (2.83) | 1-1776294-1       | TSB230 11      |
| 12               | 94 (3.70)  | 80 (3.15) | 1-1776294-2       | TSB230 12      |

**Europa Terminal Blocks**  
5



**8mm [.315] Pitch, 30A, High Temperature—Series TSB230...HT**



**Material & Finish**

- Housing Material**—Polyamide 6/6
- Flammability**—UL94V-0
- Housing Color**—Brown
- Tubular Contact**—Brass, tin plated
- Screw**—Steel, M3
- Screw Plating**—Zinc with chromate
- Wire Protector**—Stainless steel

**Mechanical Properties**

- Pitch (terminal spacing)**—8mm [.315]
- Wire Strip Length**—5mm [0.20"]
- Min. Wire Pull-Out Force**—75lbs.
- Recommended Tightening Torque**—5in.- lbs.
- Recommended Screwdrivers**—Stanley 1016, Sears Craftsman 41429, Xcelite R184
- Electrical Properties**
- Maximum Current**—30A
- Operating Voltage**—250V
- Wire Range**—12-26 AWG
- Dielectric Withstand**—3000V

**Environmental Properties**

- Continuous Working Temperature**—-35°C to +150°C [-31°F to +302°F]

| No. of Positions | Dimensions |           | Wire Protector |                |
|------------------|------------|-----------|----------------|----------------|
|                  | A          | B         | Part Number    | Catalog Number |
| 1                | 6 (.24)    | —         | 1776295-1      | TSB230 01DS HT |
| 2                | 14 (.55)   | —         | 1776295-2      | TSB230 02DS HT |
| 3                | 22 (.87)   | 8 (.31)   | 1776295-3      | TSB230 03DS HT |
| 4                | 30 (1.18)  | 16 (.63)  | 1776295-4      | TSB230 04DS HT |
| 5                | 38 (1.50)  | 24 (.94)  | 1776295-5      | TSB230 05DS HT |
| 6                | 46 (1.81)  | 32 (1.26) | 1776295-6      | TSB230 06DS HT |
| 7                | 54 (2.13)  | 40 (1.57) | 1776295-7      | TSB230 07DS HT |
| 8                | 62 (2.44)  | 48 (1.89) | 1776295-8      | TSB230 08DS HT |
| 9                | 70 (2.76)  | 56 (2.20) | 1776295-9      | TSB230 09DS HT |
| 10               | 78 (3.07)  | 64 (2.52) | 1-1776295-0    | TSB230 10DS HT |
| 11               | 86 (3.39)  | 72 (2.83) | 1-1776295-1    | TSB230 11DS HT |
| 12               | 94 (3.70)  | 80 (3.15) | 1-1776295-2    | TSB230 12DS HT |

**Note:** Minimum order quantities may apply.





**Note:** All part numbers are RoHS Compliant.

**10mm [.394] Pitch, 30A with Wire Protector—Series TSB500**



**Material & Finish**

- Housing Material**—Polyamide 6
- Flammability**—UL94V-2
- Color**—Natural (off white)
- Tubular Contact**—Brass, tin plated
- Screw**—Steel, M3
- Screw Plating**—Zinc with chromate
- Wire Protector**—Stainless steel

**Mechanical Properties**

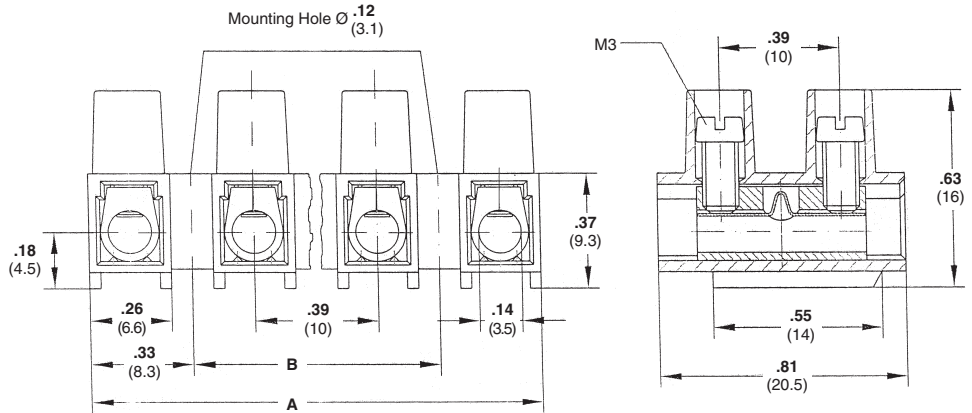
- Pitch (terminal spacing)**—10mm [.394]
- Wire Strip Length**—5mm [0.20"]
- Min. Wire Pull-Out Force**—75lbs.
- Recommended Tightening Torque**—5 in.- lbs.
- Recommended Screwdrivers**—Stanley 1016, Sears Craftsman 41429, Xcelite R184

**Electrical Properties**

- UL Maximum Current**—30A; 10-22 AWG
- CSA Maximum Current**—25A; 12-24 AWG
- Operating Voltage**—250V
- Dielectric Withstand**—3500V

**Environmental Properties**

- Continuous Working Temperature**—-35°C to +100°C [-31°F to +212°F]



| No. of Positions | Dimensions   |            | Wire Protector |                |
|------------------|--------------|------------|----------------|----------------|
|                  | A            | B          | Part Number    | Catalog Number |
| 1                | 6.6 (.26)    | —          | 1776296-1      | TSB500 0131DS  |
| 2                | 16.6 (.65)   | —          | 1776296-2      | TSB500 0231DS  |
| 3                | 26.6 (1.05)  | 10 (.39)   | 1776296-3      | TSB500 0331DS  |
| 4                | 36.6 (1.44)  | 20 (.79)   | 1776296-4      | TSB500 0431DS  |
| 5                | 46.6 (1.83)  | 30 (1.18)  | 1776296-5      | TSB500 0531DS  |
| 6                | 56.6 (2.23)  | 40 (1.57)  | 1776296-6      | TSB500 0631DS  |
| 7                | 66.6 (2.62)  | 50 (1.97)  | 1776296-7      | TSB500 0731DS  |
| 8                | 76.6 (3.02)  | 60 (2.36)  | 1776296-8      | TSB500 0831DS  |
| 9                | 86.6 (3.41)  | 70 (2.76)  | 1776296-9      | TSB500 0931DS  |
| 10               | 96.6 (3.80)  | 80 (3.15)  | 1-1776296-0    | TSB500 1031DS  |
| 11               | 106.6 (4.20) | 90 (3.54)  | 1-1776296-1    | TSB500 1131DS  |
| 12               | 116.6 (4.59) | 100 (3.94) | 1-1776296-2    | TSB500 1231DS  |

**Europa Terminal Blocks**  
5



**Note:** All part numbers are RoHS Compliant.

**10mm [.394] Pitch, 30A with Tunnel Connection—Series TSB500**



**Material & Finish**

- Housing Material**—Polyamide 6
- Flammability**—UL94V-2
- Color**—Natural (off white)
- Tubular Contact**—Brass, tin plated
- Screw**—Steel, M3
- Screw Plating**—Zinc with chromate

**Mechanical Properties**

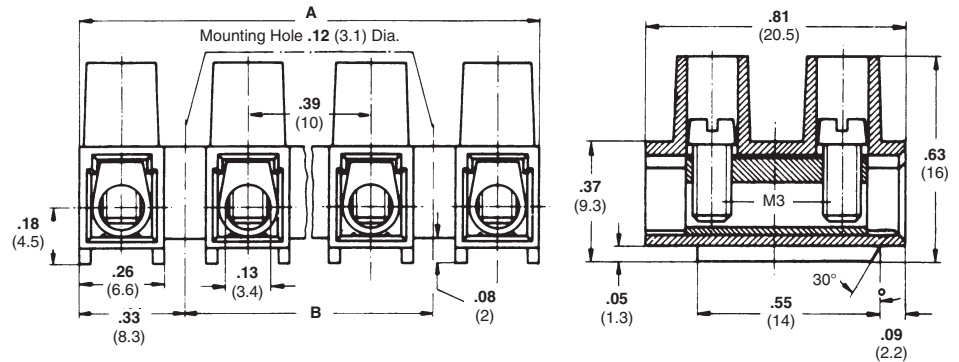
- Pitch (terminal spacing)**—10mm [.394]
- Wire Strip Length**—5mm [0.20"]
- Min. Wire Pull-Out Force**—75lbs.
- Recommended Tightening Torque**—5 in.-lbs.
- Recommended Screwdrivers**—Stanley 1016, Sears Craftsman 41429, Xcelite R184

**Electrical Properties**

- Maximum Current**—30A
- Operating Voltage**—250V
- Wire Range**—10-22 AWG
- Dielectric Withstand**—3500V

**Environmental Properties**

- Continuous Working Temperature**—-35°C to +100°C [-31°F to +212°F]



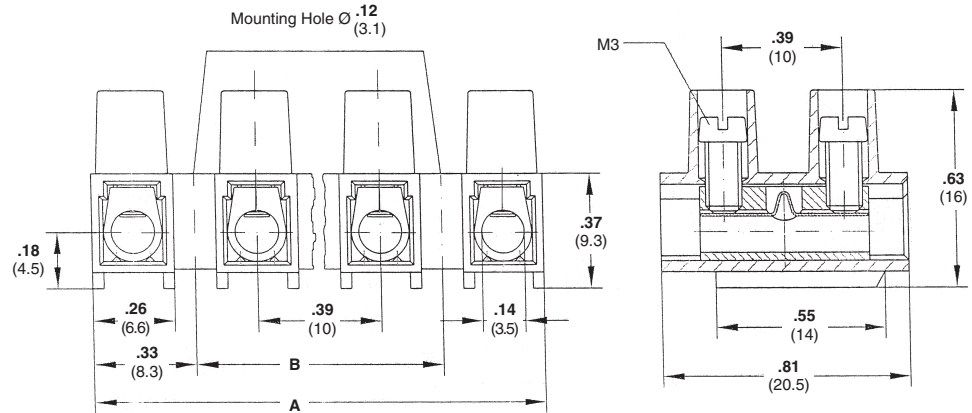
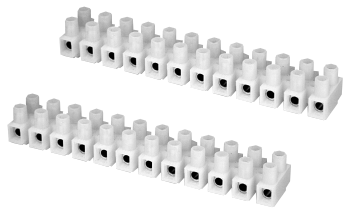
| No. of Positions | Dimensions   |            | Tunnel Connection |                |
|------------------|--------------|------------|-------------------|----------------|
|                  | A            | B          | Part Number       | Catalog Number |
| 1                | 6.6 (.26)    | —          | —                 | TSB500 0131    |
| 2                | 16.6 (.65)   | —          | 1776297-2         | TSB500 0231    |
| 3                | 26.6 (1.05)  | 10 (.39)   | 1776297-3         | TSB500 0331    |
| 4                | 36.6 (1.44)  | 20 (.79)   | 1776297-4         | TSB500 0431    |
| 5                | 46.6 (1.83)  | 30 (1.18)  | 1776297-5         | TSB500 0531    |
| 6                | 56.6 (2.23)  | 40 (1.57)  | 1776297-6         | TSB500 0631    |
| 7                | 66.6 (2.62)  | 50 (1.97)  | 1776297-7         | TSB500 0731    |
| 8                | 76.6 (3.02)  | 60 (2.36)  | 1776297-8         | TSB500 0831    |
| 9                | 86.6 (3.41)  | 70 (2.76)  | 1776297-9         | TSB500 0931    |
| 10               | 96.6 (3.80)  | 80 (3.15)  | 1-1776297-0       | TSB500 1031    |
| 11               | 106.6 (4.20) | 90 (3.54)  | 1-1776297-1       | TSB500 1131    |
| 12               | 116.6 (4.59) | 100 (3.94) | 1-1776297-2       | TSB500 1231    |



**Note:** All part numbers are RoHS Compliant.

**10mm [.394] Pitch, 30A High Temperature—Series TSB500...HT**

Europa Terminal Blocks **5**



**Material & Finish**

- Housing Material**—Polyamide 6/6
- Flammability**—UL94V-0
- Housing Color**—Brown
- Tubular Contact**—Brass, tin plated
- Screw**—Steel, M3
- Screw Plating**—Zinc with chromate
- Wire Protector**—Stainless steel

**Mechanical Properties**

- Pitch (terminal spacing)**—10mm [.394]
- Wire Strip Length**—5mm [0.20"]
- Min. Wire Pull-Out Force**—75lbs.
- Recommended Tightening Torque**—5 in.-lbs.
- Recommended Screwdrivers**—Stanley 1016, Sears Craftsman 41429, Xcelite R184

**Electrical Properties**

- Maximum Current**—30A
- Operating Voltage**—250V
- Wire Range**—12-24 AWG
- Dielectric Withstand**—3500V

**Environmental Properties**

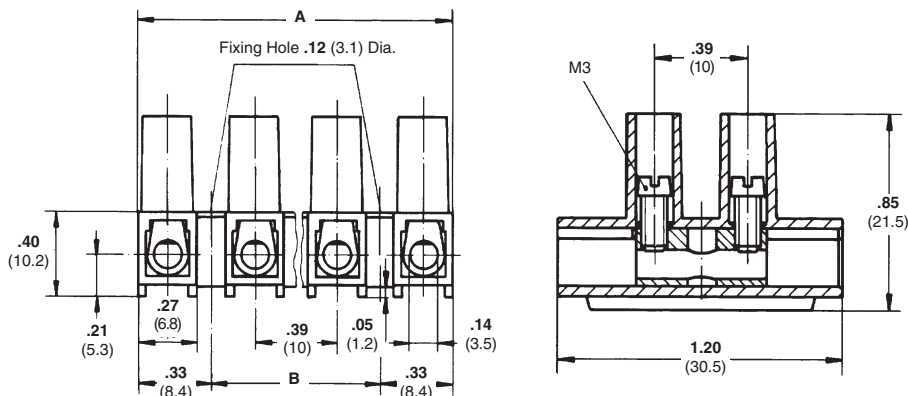
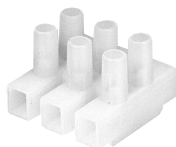
- Continuous Working Temperature**—-50°C to +160°C [-58°F to +320°F]

| No. of Positions | Dimensions   |            | Wire Protector |                  |
|------------------|--------------|------------|----------------|------------------|
|                  | A            | B          | Part Number    | Catalog Number   |
| 1                | 6.6 (.26)    | —          | 1776298-1      | TSB500 0131DS HT |
| 2                | 16.6 (.65)   | —          | 1776298-2      | TSB500 0231DS HT |
| 3                | 26.6 (1.05)  | 10 (.39)   | 1776298-3      | TSB500 0331DS HT |
| 4                | 36.6 (1.44)  | 20 (.79)   | 1776298-4      | TSB500 0431DS HT |
| 5                | 46.6 (1.83)  | 30 (1.18)  | 1776298-5      | TSB500 0531DS HT |
| 6                | 56.6 (2.23)  | 40 (1.57)  | 1776298-6      | TSB500 0631DS HT |
| 7                | 66.6 (2.62)  | 50 (1.97)  | 1776298-7      | TSB500 0731DS HT |
| 8                | 76.6 (3.02)  | 60 (2.36)  | 1776298-8      | TSB500 0831DS HT |
| 9                | 86.6 (3.41)  | 70 (2.76)  | 1776298-9      | TSB500 0931DS HT |
| 10               | 96.6 (3.80)  | 80 (3.15)  | 1-1776298-0    | TSB500 1031DS HT |
| 11               | 106.6 (4.20) | 90 (3.54)  | 1-1776298-1    | TSB500 1131DS HT |
| 12               | 116.6 (4.59) | 100 (3.94) | 1-1776298-2    | TSB500 1231DS HT |

Note: Minimum order quantities may apply.



**10mm [.394] Pitch, 30A Elongated Plastic—Series TSB500SK**



Tunnel Connection Version shown

**Material & Finish**

- Housing Material**—Polyamide 6
- Flammability**—UL94V-2
- Color**—natural (off white)
- Tubular Contact**—Brass, tin plated
- Screw**—Steel, M3
- Screw Plating**—Zinc with chromate
- Wire Protector**—Stainless steel

**Mechanical Properties**

- Pitch (terminal spacing)**—10mm [.394"]
- Wire Strip Length**—5mm [0.20"]
- Min. Wire Pull-Out Force**—5 lbs.
- Recommended Tightening Torque**—5 in.- lbs.
- Recommended Screwdrivers**—Stanley 1016, Sears Craftsman 41429, Xcelite R184

**Electrical Properties**

- Maximum Current**—30A (UL), 25A (CSA)
- Operating Voltage**—600V
- Wire Range**—Wire Protector—12-24 AWG  
Tunnel Connection—10-22 AWG
- Dielectric Withstand**—3500V

**Environmental Properties**

- Continuous Working Temperature**—-35°C to +100°C [-31°F to +212°F]

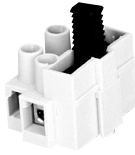
| No. of Positions | Dimensions   |            | Tunnel Connection |                | Wire Protector |                |
|------------------|--------------|------------|-------------------|----------------|----------------|----------------|
|                  | A            | B          | Part Number       | Catalog Number | Part Number    | Catalog Number |
| 1                | 6.6 (.26)    | —          | 1776299-1         | TSB500 SK01    | 1776300-1      | TSB500 SK01MDS |
| 2                | 16.6 (.65)   | —          | 1776299-2         | TSB500 SK02    | 1776300-2      | TSB500 SK02MDS |
| 3                | 26.6 (1.05)  | 10 (.39)   | 1776299-3         | TSB500 SK03    | 1776300-3      | TSB500 SK03MDS |
| 4                | 36.6 (1.44)  | 20 (.79)   | 1776299-4         | TSB500 SK04    | 1776300-4      | TSB500 SK04MDS |
| 5                | 46.6 (1.83)  | 30 (1.18)  | 1776299-5         | TSB500 SK05    | 1776300-5      | TSB500 SK05MDS |
| 6                | 56.6 (2.23)  | 40 (1.57)  | 1776299-6         | TSB500 SK06    | 1776300-6      | TSB500 SK06MDS |
| 7                | 66.6 (2.62)  | 50 (1.97)  | 1776299-7         | TSB500 SK07    | 1776300-7      | TSB500 SK07MDS |
| 8                | 76.6 (3.02)  | 60 (2.36)  | 1776299-8         | TSB500 SK08    | 1776300-8      | TSB500 SK08MDS |
| 9                | 86.6 (3.41)  | 70 (2.76)  | 1776299-9         | TSB500 SK09    | 1776300-9      | TSB500 SK09MDS |
| 10               | 96.6 (3.80)  | 80 (3.15)  | 1-1776299-0       | TSB500 SK10    | 1-1776300-0    | TSB500 SK10MDS |
| 11               | 106.6 (4.20) | 90 (3.54)  | 1-1776299-1       | TSB500 SK11    | 1-1776300-1    | TSB500 SK11MDS |
| 12               | 116.6 (4.59) | 100 (3.94) | 1-1776299-2       | TSB500 SK12    | 1-1776300-2    | TSB500 SK12MDS |

**Note:** Add suffix HT for High Temperature version. Minimum order quantities may apply. Flammability: UL94V-0. Continuous working temperature: 150°C.



**Note:** All part numbers are RoHS Compliant.

**10mm [.394] Pitch, Fused Terminal Blocks—Series 503Si**



**Material & Finish**

- Housing Material**—Polyamide 6/6
- Color**—Gray, handle is black
- Tubular Contact**—Brass, tin plated
- Screw**—Steel
- Screw Plating**—Zinc with chromate
- Wire Protector**—Stainless steel
- Contacts for Fuses**—Stainless steel spring
- Tunnel Connection**—Without wire protector

**Mechanical Properties**

- Pitch (terminal spacing)**—10mm [.394"]
- Wire Strip Length**—7mm [.276"]

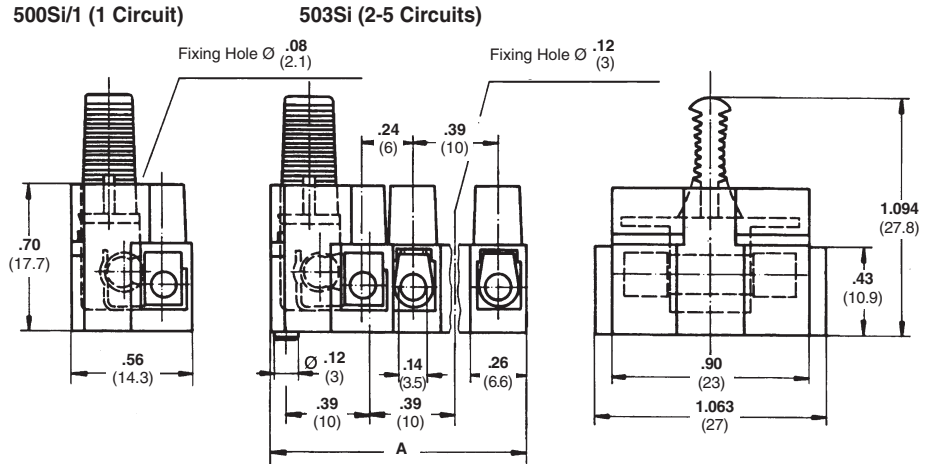
**Electrical Properties**

- Maximum Current**—  
To VDE 820—Fuse Holder 10A  
To VDE 0100—Terminal Blocks 26A  
To VDE 0700/0711—Terminal Blocks 10A
- Operating Voltage**—  
Fuse Holder—250V  
Terminal Blocks—400V

- Wire Range**—  
Wire Protector—12-22 AWG  
Tunnel Connection—12-22 AWG

**Environmental Properties**

- Continuous Working Temperature**—  
-35°C to +100°C [-31°F to +212°F]



Series 503Si & 503Si...DS version of TSB500 Series with an integrated fuse holder for 5 x 20mm [.197 x .787] fuses. Protection against unintentional touch of live parts to VBG4 and VDE 0106, part 100 and VDE 0470, part 1. Series 503Si...E & 503Si...EDS include a ground connection.

| No. of Positions | Dim. A     | Tunnel Connection |                | Wire Protector |                | Tunnel Connection Grounded |                | Wire Protector Grounded |                |
|------------------|------------|-------------------|----------------|----------------|----------------|----------------------------|----------------|-------------------------|----------------|
|                  |            | Part Number       | Catalog Number | Part Number    | Catalog Number | Part Number                | Catalog Number | Part Number             | Catalog Number |
| 1                | 14.3 (.56) | 1776301-1         | 503Si 1        | 1776301-6      | 503Si 1DS      | —                          | —              | —                       | —              |
| 2                | 20 (.79)   | 1776301-2         | 503Si 2        | 1776301-7      | 503Si 2DS      | —                          | —              | —                       | —              |
| 3                | 30 (1.18)  | —                 | 503Si 3        | 1776301-8      | 503Si 3DS      | —                          | 503Si 3E       | 2-1776301-3             | 503Si 3EDS     |
| 4                | 40 (1.58)  | —                 | 503Si 4        | 1776301-9      | 503Si 4DS      | 1-1776301-4                | 503Si 4E       | —                       | 503Si 4EDS     |
| 5                | 50 (1.97)  | 1776301-5         | 503Si 5        | 1-1776301-0    | 503Si 5DS      | —                          | 503Si 5E       | —                       | 503Si 5EDS     |

**12mm [.472] Pitch, 40A with Wire Protector—Series TSB1000**



**Material & Finish**

- Housing Material**—Polyamide 6
- Flammability**—UL94V-2
- Color**—Natural (off white)
- Tubular Contact**—Brass, tin plated
- Screw**—Steel, M3.5
- Screw Plating**—Zinc with chromate
- Wire Protector**—Stainless steel

**Mechanical Properties**

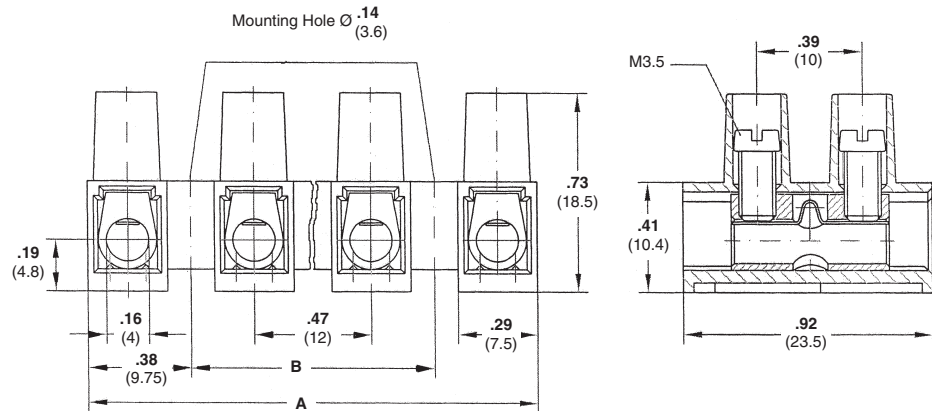
- Pitch (terminal spacing)**—12mm [.472"]
- Wire Strip Length**—7mm [.28"]
- Min. Wire Pull-Out Force**—125 lbs.
- Recommended Tightening Torque**—10 in.-lbs.
- Recommended Screwdrivers**—Stanley 1016, Sears Craftsman 41429, Xcelite R184

**Electrical Properties**

- Maximum Current**—40A
- Operating Voltage**—250V
- Wire Range**—10-22 AWG
- Dielectric Withstand**—4500V

**Environmental Properties**

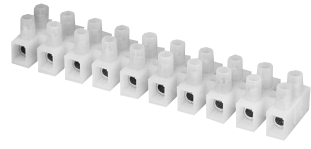
- Continuous Working Temperature**—-35°C to +100°C [-31°F to +212°F]



| No. of Positions | Dimensions   |            | Wire Protector |                |
|------------------|--------------|------------|----------------|----------------|
|                  | A            | B          | Part Number    | Catalog Number |
| 1                | 7.5 (.30)    | —          | 1776302-1      | TSB1000 01DS   |
| 2                | 19.5 (.77)   | —          | 1776302-2      | TSB1000 02DS   |
| 3                | 31.5 (1.24)  | 12 (.47)   | 1776302-3      | TSB1000 03DS   |
| 4                | 43.5 (1.71)  | 24 (.95)   | 1776302-4      | TSB1000 04DS   |
| 5                | 55.5 (2.19)  | 36 (1.42)  | 1776302-5      | TSB1000 05DS   |
| 6                | 67.5 (2.66)  | 48 (1.89)  | 1776302-6      | TSB1000 06DS   |
| 7                | 79.5 (3.13)  | 60 (2.36)  | 1776302-7      | TSB1000 07DS   |
| 8                | 91.5 (3.60)  | 72 (2.83)  | 1776302-8      | TSB1000 08DS   |
| 9                | 103.5 (4.07) | 84 (3.31)  | 1776302-9      | TSB1000 09DS   |
| 10               | 115.5 (4.55) | 96 (3.78)  | 1-1776302-0    | TSB1000 10DS   |
| 11               | 127.5 (5.02) | 108 (4.25) | 1-1776302-1    | TSB1000 11DS   |
| 12               | 139.5 (5.49) | 120 (4.72) | 1-1776302-2    | TSB1000 12DS   |

**Note:** All part numbers are RoHS Compliant.

**12mm [.472] Pitch, 50A with Tunnel Connection—Series TSB1000**



**Material & Finish**

- Housing Material**—Polyamide 6
- Flammability**—UL94V-2
- Color**—Natural (off white)
- Tubular Contact**—Brass, tin plated
- Screw**—Steel, M3.5
- Screw Plating**—Zinc with chromate

**Mechanical Properties**

- Pitch (terminal spacing)**—12mm [.472"]
- Wire Strip Length**—7mm [.28"]
- Min. Wire Pull-Out Force**—125 lbs.

**Recommended Tightening Torque**—10 in.-lbs.

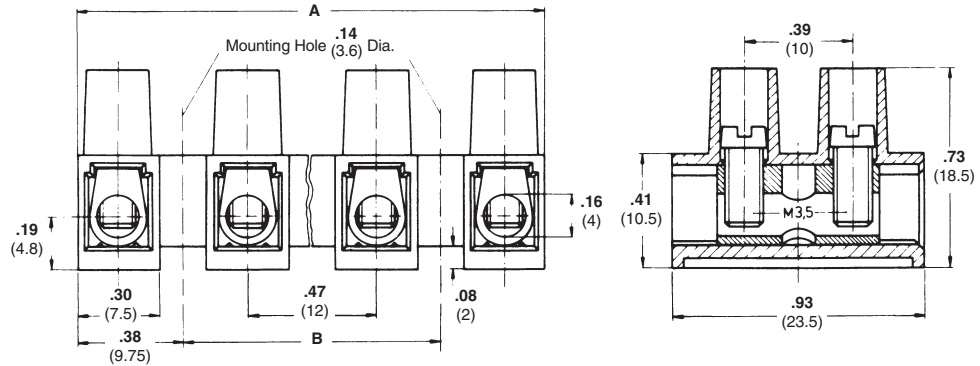
**Recommended Screwdrivers**—Stanley 1016, Sears Craftsman 41429, Xcelite R184

**Electrical Properties**

- Maximum Current**—50A
- Operating Voltage**—250V
- Wire Range**—8-22 AWG
- Dielectric Withstand**—4500V

**Environmental Properties**

**Continuous Working Temperature**—-35°C to +100°C [-31°F to +212°F]



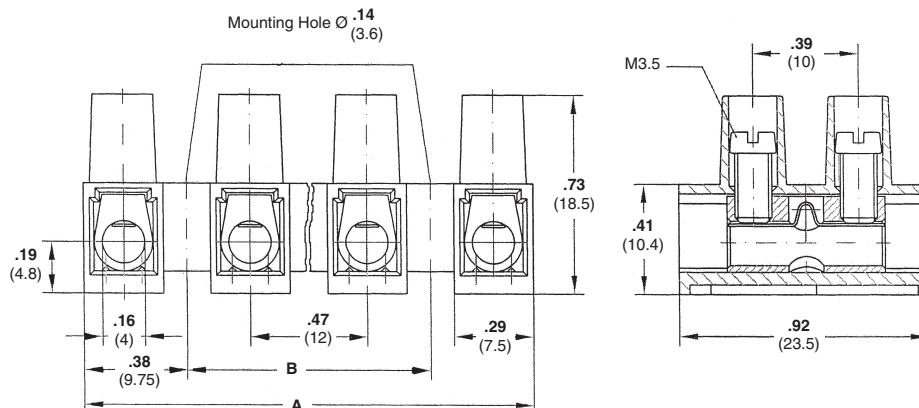
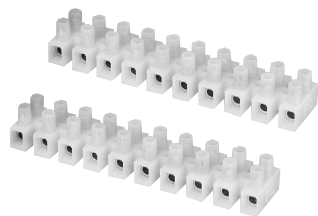
| No. of Positions | Dimensions   |            | Tunnel Connection |                |
|------------------|--------------|------------|-------------------|----------------|
|                  | A            | B          | Part Number       | Catalog Number |
| 1                | 7.5 (.30)    | —          | 1776303-1         | TSB1000 01     |
| 2                | 19.5 (.77)   | —          | 1776303-2         | TSB1000 02     |
| 3                | 31.5 (1.24)  | 12 (.47)   | 1776303-3         | TSB1000 03     |
| 4                | 43.5 (1.71)  | 24 (.95)   | 1776303-4         | TSB1000 04     |
| 5                | 55.5 (2.19)  | 36 (1.42)  | 1776303-5         | TSB1000 05     |
| 6                | 67.5 (2.66)  | 48 (1.89)  | 1776303-6         | TSB1000 06     |
| 7                | 79.5 (3.13)  | 60 (2.36)  | 1776303-7         | TSB1000 07     |
| 8                | 91.5 (3.60)  | 72 (2.84)  | 1776303-8         | TSB1000 08     |
| 9                | 103.5 (4.07) | 84 (3.31)  | 1776303-9         | TSB1000 09     |
| 10               | 115.5 (4.55) | 96 (3.78)  | 1-1776303-0       | TSB1000 10     |
| 11               | 127.5 (5.02) | 108 (4.25) | 1-1776303-1       | TSB1000 11     |
| 12               | 139.5 (5.49) | 120 (4.72) | 1-1776303-2       | TSB1000 12     |

**Europa Terminal Blocks**  
5





**12mm [.472] Pitch, 40A High Temperature—Series TSB1000...HT**



**Material & Finish**

- Housing Material**—Polyamide 6/6
- Flammability**—UL94V-0
- Housing Color**—Brown
- Tubular Contact**—Brass, tin plated
- Screw**—Steel, M3.5
- Screw Plating**—Zinc with chromate
- Wire Protector**—Stainless steel

**Mechanical Properties**

- Pitch (terminal spacing)**—12mm [.472"]
- Wire Strip Length**—7mm [.28"]
- Min. Wire Pull-Out Force**—125 lbs.
- Recommended Tightening Torque**—10 in.-lbs.
- Recommended Screwdrivers**—Stanley 1016, Sears Craftsman 41429, Xcelite R184

**Electrical Properties**

- Maximum Current**—40A
- Operating Voltage**—250V
- Wire Range**—10-24 AWG
- Dielectric Withstand**—4500V

**Environmental Properties**

- Continuous Working Temperature**—-50°C to +160°C [-58°F to +320°F]

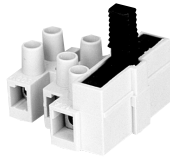
| No. of Positions | Dimensions   |            | Wire Protector |                 |
|------------------|--------------|------------|----------------|-----------------|
|                  | A            | B          | Part Number    | Catalog Number  |
| 1                | 7.5 (.30)    | —          | —              | TSB1000 01DS HT |
| 2                | 19.5 (.77)   | —          | 1776304-2      | TSB1000 02DS HT |
| 3                | 31.5 (1.24)  | 12 (.47)   | 1776304-3      | TSB1000 03DS HT |
| 4                | 43.5 (1.71)  | 24 (.95)   | 1776304-4      | TSB1000 04DS HT |
| 5                | 55.5 (2.19)  | 36 (1.42)  | 1776304-5      | TSB1000 05DS HT |
| 6                | 67.5 (2.66)  | 48 (1.89)  | 1776304-6      | TSB1000 06DS HT |
| 7                | 79.5 (3.13)  | 60 (2.36)  | 1776304-7      | TSB1000 07DS HT |
| 8                | 91.5 (3.60)  | 72 (2.84)  | 1776304-8      | TSB1000 08DS HT |
| 9                | 103.5 (4.07) | 84 (3.31)  | 1776304-9      | TSB1000 09DS HT |
| 10               | 115.5 (4.55) | 96 (3.78)  | 1-1776304-0    | TSB1000 10DS HT |
| 11               | 127.5 (5.02) | 108 (4.25) | 1-1776304-1    | TSB1000 11DS HT |
| 12               | 139.5 (5.49) | 120 (4.72) | 1-1776304-2    | TSB1000 12DS HT |





**Note:** All part numbers are RoHS Compliant.

**12mm [.472] Pitch, Fused Terminal Blocks—Series 1003Si**



**Material & Finish**

**Housing Material**—Polyamide 6/6

**Color**—Gray, handle is black

**Tubular Contact**—Brass, tin plated

**Screw**—Steel

**Screw Plating**—Zinc with chromate

**Wire Protector**—Stainless steel

**Contacts for Fuses**—Stainless steel screw

**Tunnel Connection**—Without wire protector

**Mechanical Properties**

**Pitch (terminal spacing)**—12mm [.472"]

**Wire Strip Length**—7.5mm [.295"]

**Electrical Properties**

**Maximum Current**—

To VDE 0820—Fuse Holder 16A

To VDE 0100—Terminal Blocks 34A

To VDE 0700/0711—Terminal Blocks 16A

**Operating Voltage**—

Fuse Holder—250V

Terminal Blocks—400V

**Wire Range**—

Wire Protector—up to 10mm<sup>2</sup> (10-24 AWG)

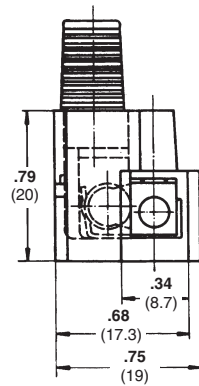
Tunnel Connection—up to 4mm<sup>2</sup> (8-22 AWG)

**Environmental Properties**

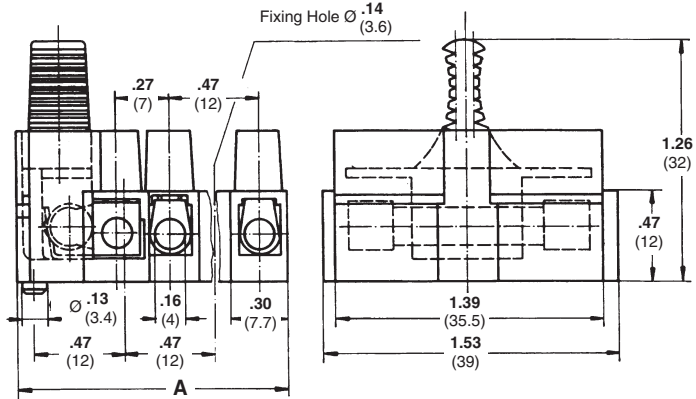
**Continuous Working Temperature**—

-35°C to +100°C [-31°F to +212°F]

1003Si/1 (1 Circuit)



1003Si (2-5 Circuits)



Series 1003Si & 1003Si...DS version of TSB1000 Series with an integrated fuse holder for 1/4" x 1" (6.3 x 25mm) or 1/4" x 1 1/4" (6.3mm x 32mm). Protection against unintended touch of live parts to VBG4.

Series 1003Si...E & 1003Si...EDS include a ground connection.

| No. of Positions | Dim. A     | Tunnel Connection |                | Wire Protector |                | Tunnel Connection Grounded |                | Wire Protector Grounded |                |
|------------------|------------|-------------------|----------------|----------------|----------------|----------------------------|----------------|-------------------------|----------------|
|                  |            | Part Number       | Catalog Number | Part Number    | Catalog Number | Part Number                | Catalog Number | Part Number             | Catalog Number |
| 1                | 18.7 (.74) | 1-1776309-1       | 1003Si 1       | 1776309-1      | 1003Si 1DS     | —                          | —              | —                       | —              |
| 2                | 24 (0.95)  | 1-1776309-2       | 1003Si 2       | 1776309-2      | 1003Si 2DS     | —                          | —              | —                       | —              |
| 3                | 36 (1.42)  | 1-1776309-3       | 1003Si 3       | —              | 1003Si 3DS     | 1776309-3                  | 1003Si 3E      | 1776309-4               | 1003Si 3EDS    |
| 4                | 48 (1.89)  | 1-1776309-4       | 1003Si 4       | —              | 1003Si 4DS     | —                          | 1003Si 4E      | —                       | 1003Si 4EDS    |
| 5                | 60 (2.36)  | 1-1776309-5       | 1003Si 5       | —              | 1003Si 5DS     | —                          | 1003Si 5E      | —                       | 1003Si 5EDS    |

## 13.5mm [.531] Pitch, 40A—Series TSB1500



### Material & Finish

**Housing Material**—Polyamide 6  
**Flammability**—UL94V-2  
**Color**—Natural (off white)  
**Tubular Contact**—Brass, tin plated  
**Screw**—Steel  
**Screw Plating**—Zinc with chromate  
**Wire Protector**—Stainless steel  
**Tunnel Connection**—Without wire protector

### Mechanical Properties

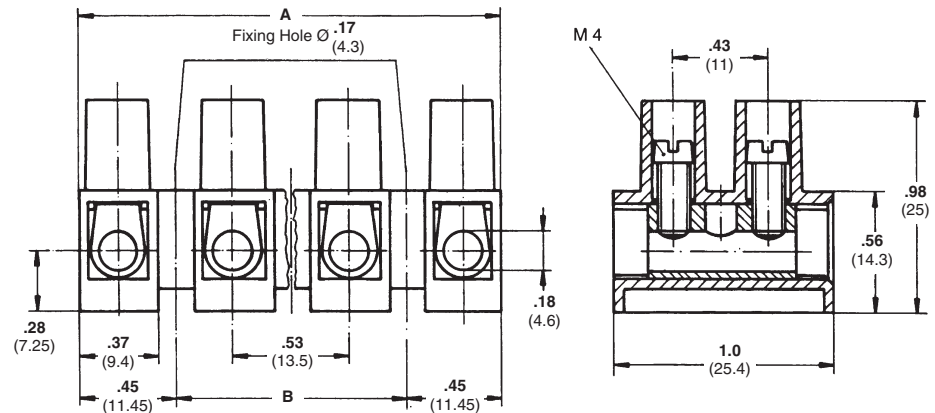
**Pitch (terminal spacing)**—  
 13.5mm [.531"]  
**Wire Strip Length**—8mm [.315"]  
**Recommended Tightening Torque**—10 in.-lbs.  
**Recommended Screwdrivers**—  
 Stanley 1016, Sears Craftsman 41429,  
 Xcelite R184

### Electrical Properties

**Maximum Current**—40A (UR);  
 55A (CSA)  
**Operating Voltage**—300V  
**Wire Range**—  
 Wire Protector—8-18 AWG  
 Tunnel Connection—8-16 AWG

### Environmental Properties

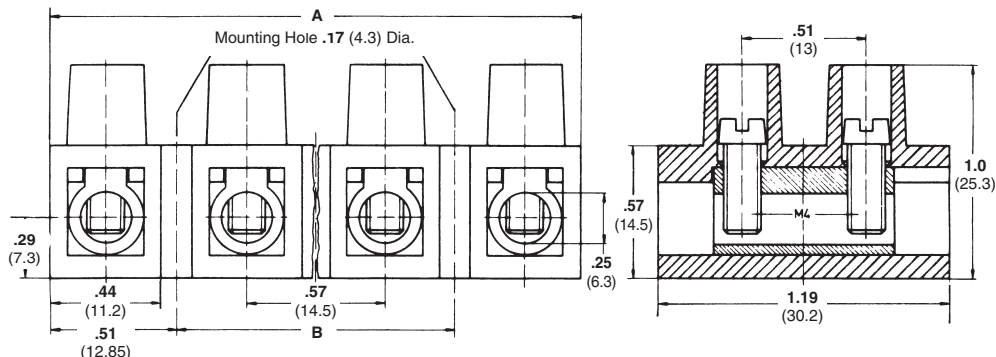
**Continuous Working Temperature**—  
 -35°C to +100°C [-31°F to +212°F]



Tunnel Connection Version shown

| No. of Positions | Dimensions   |              | Tunnel Connection |                | Wire Protector |                |
|------------------|--------------|--------------|-------------------|----------------|----------------|----------------|
|                  | A            | B            | Part Number       | Catalog Number | Part Number    | Catalog Number |
| 1                | 9.4 (.37)    | —            | 1776310-1         | TSB1500 01     | 1776311-1      | TSB1500 01DS   |
| 2                | 22.9 (.90)   | —            | 1776310-2         | TSB1500 02     | 1776311-2      | TSB1500 02DS   |
| 3                | 36.4 (1.43)  | 13.5 (.53)   | 1776310-3         | TSB1500 03     | 1776311-3      | TSB1500 03DS   |
| 4                | 49.9 (1.96)  | 27.0 (1.06)  | 1776310-4         | TSB1500 04     | 1776311-4      | TSB1500 04DS   |
| 5                | 63.4 (2.49)  | 40.5 (1.59)  | 1776310-5         | TSB1500 05     | 1776311-5      | TSB1500 05DS   |
| 6                | 76.9 (3.03)  | 54.0 (2.12)  | 1776310-6         | TSB1500 06     | 1776311-6      | TSB1500 06DS   |
| 7                | 90.4 (3.55)  | 67.5 (2.65)  | 1776310-7         | TSB1500 07     | 1776311-7      | TSB1500 07DS   |
| 8                | 103.9 (4.09) | 81.0 (3.19)  | 1776310-8         | TSB1500 08     | 1776311-8      | TSB1500 08DS   |
| 9                | 117.4 (4.62) | 94.5 (3.72)  | 1776310-9         | TSB1500 09     | 1776311-9      | TSB1500 09DS   |
| 10               | 130.9 (5.15) | 108.0 (4.25) | 1-1776310-0       | TSB1500 10     | 1-1776311-0    | TSB1500 10DS   |
| 11               | 144.4 (5.68) | 121.5 (4.78) | 1-1776310-1       | TSB1500 11     | 1-1776311-1    | TSB1500 11DS   |
| 12               | 157.9 (6.21) | 135.0 (5.31) | 1-1776310-2       | TSB1500 12     | 1-1776311-2    | TSB1500 12DS   |

**14.5mm [.571] Pitch, 65A—Series TSB2000**



Tunnel Connection Version shown

**Material & Finish**

- Housing Material**—Polyamide 6
- Flammability**—UL94V-2
- Color**—Natural (off white)
- Tubular Contact**—Brass, tin plated
- Screw**—Steel, M3.5
- Screw Plating**—Zinc with chromate
- Wire Protector**—Stainless steel
- Tunnel Connection**—Without wire protector

**Mechanical Properties**

- Pitch (terminal spacing)**—14.5mm [.571"]
- Wire Strip Length**—9mm [.35"]
- Min. Wire Pull-Out Force**—150lbs.
- Recommended Tightening Torque**—12 in.-lbs.
- Recommended Screwdrivers**—Stanley 1008, Sears Craftsman 41436, Xcelite R3164

**Electrical Properties**

- Maximum Current**—65A (UR), 70A (CSA)
- Operating Voltage**—300V
- Wire Range**—6-14 AWG (UR), 6-22 AWG (CSA)
- Dielectric Withstand**—6000V

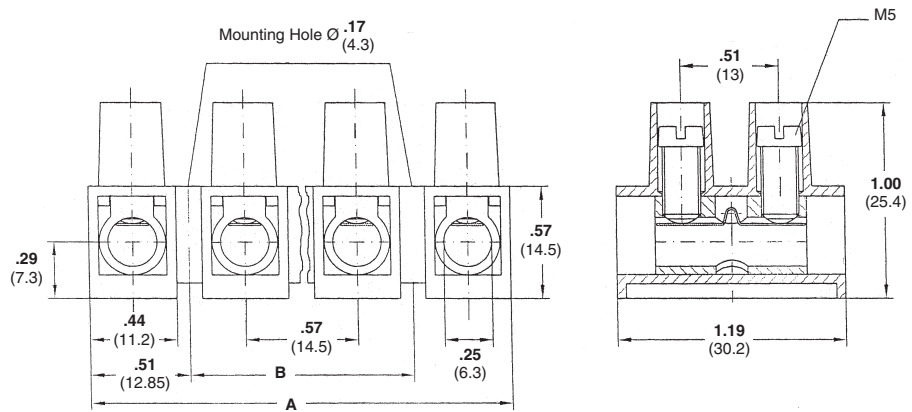
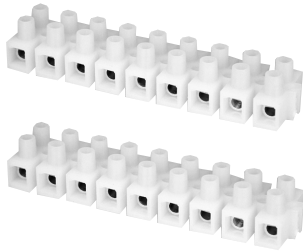
**Environmental Properties**

- Continuous Working Temperature**—-35°C to +100°C [-31°F to +212°F]

| No. of Positions | Dimensions   |              | Tunnel Connection |                | Wire Protector |                |
|------------------|--------------|--------------|-------------------|----------------|----------------|----------------|
|                  | A            | B            | Part Number       | Catalog Number | Part Number    | Catalog Number |
| 1                | 11.2 (.44)   | —            | 1776312-1         | TSB2000 01     | 1776313-1      | TSB2000 01DS   |
| 2                | 25.7 (1.01)  | —            | 1776312-2         | TSB2000 02     | 1776313-2      | TSB2000 02DS   |
| 3                | 40.2 (1.58)  | 14.5 (.57)   | 1776312-3         | TSB2000 03     | 1776313-3      | TSB2000 03DS   |
| 4                | 54.7 (2.15)  | 29.0 (1.14)  | 1776312-4         | TSB2000 04     | 1776313-4      | TSB2000 04DS   |
| 5                | 69.2 (2.72)  | 43.5 (1.71)  | 1776312-5         | TSB2000 05     | 1776313-5      | TSB2000 05DS   |
| 6                | 83.7 (3.30)  | 58.0 (2.28)  | 1776312-6         | TSB2000 06     | 1776313-6      | TSB2000 06DS   |
| 7                | 98.2 (3.87)  | 72.5 (2.85)  | 1776312-7         | TSB2000 07     | 1776313-7      | TSB2000 07DS   |
| 8                | 112.7 (4.44) | 87.0 (3.43)  | 1776312-8         | TSB2000 08     | 1776313-8      | TSB2000 08DS   |
| 9                | 127.2 (5.01) | 101.5 (4.00) | 1776312-9         | TSB2000 09     | 1776313-9      | TSB2000 09DS   |
| 10               | 141.7 (5.58) | 116.0 (4.57) | 1-1776312-0       | TSB2000 10     | 1-1776313-0    | TSB2000 10DS   |
| 11               | 156.2 (6.15) | 130.5 (5.14) | 1-1776312-1       | TSB2000 11     | 1-1776313-1    | TSB2000 11DS   |
| 12               | 170.7 (6.72) | 145.0 (5.71) | 1-1776312-2       | TSB2000 12     | 1-1776313-2    | TSB2000 12DS   |



**14.5mm [.571] Pitch, 65A High Temperature—Series TSB2000...HT**



**Material & Finish**

- Housing Material**—Polyamide 6/6
- Flammability**—UL94V-0
- Housing Color**—Brown
- Tubular Contact**—Brass, tin plated
- Screw**—Steel, M3.5
- Screw Plating**—Zinc with chromate
- Wire Protector**—Stainless steel

**Mechanical Properties**

- Pitch (terminal spacing)**—14.5mm [.571"]
- Wire Strip Length**—9mm [.35"]
- Min. Wire Pull-Out Force**—150 lbs.
- Recommended Tightening Torque**—12 in.-lbs.
- Recommended Screwdrivers**—Stanley 1008, Sears Craftsman 41436, Xcelite R3164

**Electrical Properties**

- Maximum Current**—65A (UR), 70A (CSA)
- Operating Voltage**—300V
- Wire Range**—6-14 AWG (UR), 6-22 AWG (CSA)
- Dielectric Withstand**—6000V

**Environmental Properties**

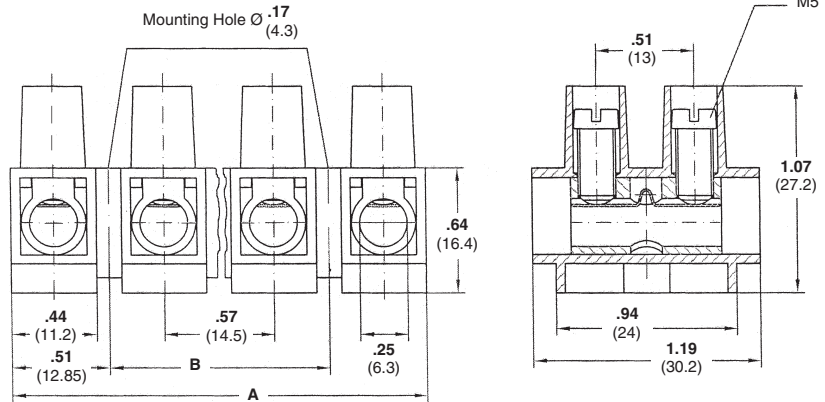
- Continuous Working Temperature**—-35°C to +150°C [-31°F to +302°F]

| No. of Positions | Dimensions   |              | Wire Protector |                 |
|------------------|--------------|--------------|----------------|-----------------|
|                  | A            | B            | Part Number    | Catalog Number  |
| 1                | 11.2 (.44)   | —            | 1776314-1      | TSB2000 01 DSHT |
| 2                | 25.7 (1.01)  | —            | 1776314-2      | TSB2000 02 DSHT |
| 3                | 40.2 (1.58)  | 14.5 (.57)   | 1776314-3      | TSB2000 03 DSHT |
| 4                | 54.7 (2.15)  | 29.0 (1.14)  | 1776314-4      | TSB2000 04 DSHT |
| 5                | 69.2 (2.72)  | 43.5 (1.71)  | 1776314-5      | TSB2000 05 DSHT |
| 6                | 83.7 (3.30)  | 58.0 (2.28)  | 1776314-6      | TSB2000 06 DSHT |
| 7                | 98.2 (3.87)  | 72.5 (2.85)  | 1776314-7      | TSB2000 07 DSHT |
| 8                | 112.7 (4.44) | 87.0 (3.43)  | 1776314-8      | TSB2000 08 DSHT |
| 9                | 127.2 (5.01) | 101.5 (4.00) | 1776314-9      | TSB2000 09 DSHT |
| 10               | 141.7 (5.58) | 116.0 (4.57) | 1-1776314-0    | TSB2000 10 DSHT |
| 11               | 156.2 (6.15) | 130.5 (5.14) | 1-1776314-1    | TSB2000 11 DSHT |
| 12               | 170.7 (6.72) | 145.0 (5.71) | 1-1776314-2    | TSB2000 12 DSHT |

Note: Minimum order quantities may apply.



**14.5mm [.571] Pitch, 65A High Voltage Version—Series TSB2000...US**



**Material & Finish**

- Housing Material**—Polyamide 6
- Flammability**—UL94V-2
- Color**—Natural (off white)
- Tubular Contact**—Brass, tin plated
- Screw**—Steel, M3.5
- Screw Plating**—Zinc with chromate
- Wire Protector**—Stainless Steel

**Mechanical Properties**

- Pitch (terminal spacing)**—14.5mm [.571"]
- Wire Strip Length**—9mm [.35"]
- Min. Wire Pull-Out Force**—150 lbs.

**Recommended Tightening**

**Torque**—12 in.-lbs.

**Recommended Screwdrivers**—

Stanley 1008, Sears Craftsman 41436, Xcelite R3164

**Electrical Properties**

- Maximum Current**—65A (UR), 70A (CSA)
- Operating Voltage**—600V
- Wire Range**—6-14 AWG (UR), 6-22 AWG (CSA)
- Dielectric Withstand**—6000V

**Environmental Properties**

**Continuous Working Temperature**—

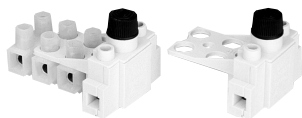
-35°C to +100°C [-31°F to +212°F]

| No. of Positions | Dimensions   |              | Wire Protector |                |
|------------------|--------------|--------------|----------------|----------------|
|                  | A            | B            | Part Number    | Catalog Number |
| 1                | 11.2 (.44)   | —            | —              | TSB2000 01KDS  |
| 2                | 25.7 (1.01)  | —            | 1776315-2      | TSB2000 02KDS  |
| 3                | 40.2 (1.58)  | 14.5 (.57)   | 1776315-3      | TSB2000 03KDS  |
| 4                | 54.7 (2.15)  | 29.0 (1.14)  | 1776315-4      | TSB2000 04KDS  |
| 5                | 69.2 (2.72)  | 43.5 (1.71)  | 1776315-5      | TSB2000 05KDS  |
| 6                | 83.7 (3.30)  | 58.0 (2.28)  | 1776315-6      | TSB2000 06KDS  |
| 7                | 98.2 (3.87)  | 72.5 (2.85)  | 1776315-7      | TSB2000 07KDS  |
| 8                | 112.7 (4.44) | 87.0 (3.43)  | 1776315-8      | TSB2000 08KDS  |
| 9                | 127.2 (5.01) | 101.5 (4.00) | 1776315-9      | TSB2000 09KDS  |
| 10               | 141.7 (5.58) | 116.0 (4.57) | 1-1776315-0    | TSB2000 10KDS  |
| 11               | 156.2 (6.15) | 130.5 (5.14) | 1-1776315-1    | TSB2000 11KDS  |
| 12               | 170.7 (6.72) | 145.0 (5.71) | 1-1776315-2    | TSB2000 12KDS  |

**Europa Terminal**  
**Blocks**  
**5**



**Fuse Holder (for Series TSB500, TSB1000)—Series 500Si**



**Material & Finish**

**Housing Material**—Polyamide 6/6

**Color**—Gray

**Tubular Contact**—Brass, tin plated

**Screw**—Steel

**Screw Plating**—Zinc with chromate

**Mechanical Properties**

**Pitch (terminal spacing)**—

10mm [.394] and 12mm [.472]

**Wire Strip Length**—6.5mm [.256]

**Electrical Properties**

**Maximum Current**—

To VDE 0820—10A

To VDE 0700/0711—10A

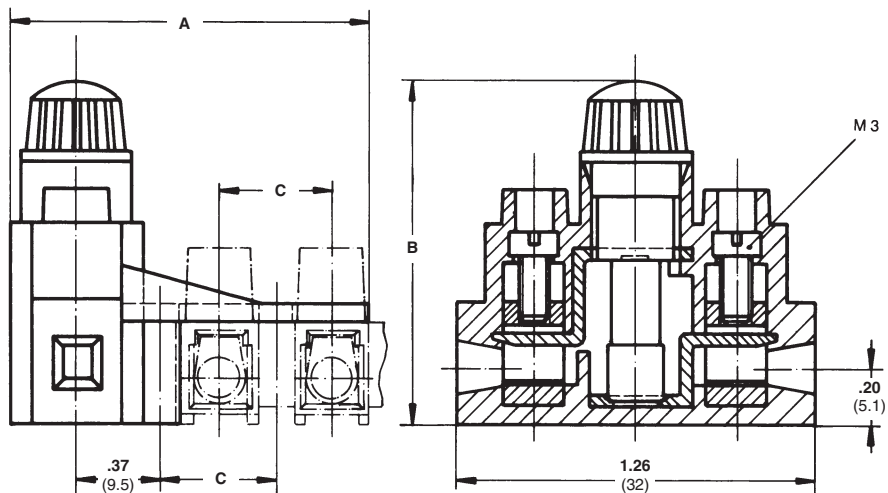
**Operating Voltage**—250V

**Wire Range**—12-22 AWG

**Environmental Properties**

**Continuous Working Temperature**—

-35°C to +100°C [-31°F to +212°F]



**Series 500Si:**

Two versions mate with TSB500 and TSB1000 to provide a fuse holder for 5 x 20mm [.197 x .787] or 5mm x 25mm [.197 x .984] fuses. These connectors comply with VDE 0820, part 2.

**Series 500Si...K:**

Same as the standard series but provides a raised, transparent “bayonet catch” which serves as a Fuse Link Carrier for fuses 5 x 25mm [.197 x .984] (with indicator).

| Description                             | Dimensions |            |           | Catalog Number |
|---|------------|------------|-----------|----------------|
|   | A          | B          | C         |                |
| For TSB500 Series                       | 35 (1.378) | 29 (1.142) | 10 (.394) | 500Si 5        |
| For TSB1000 Series                      | 37 (1.457) | 30 (1.181) | 12 (.472) | 500Si 10       |
| w/ Fuse Link Carrier for TSB500 Series  | 35 (1.378) | 34 (1.339) | 10 (.394) | 500Si 5K       |
| w/ Fuse Link Carrier for TSB1000 Series | 37 (1.457) | 35 (1.378) | 12 (.472) | 500Si 10K      |

**Note:** All part numbers are RoHS Compliant.

**Covers—Series ABK**



**Material & Finish**

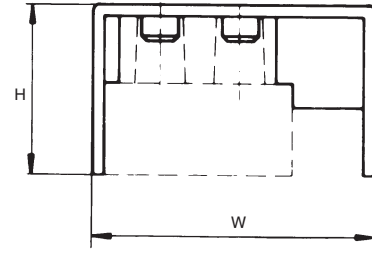
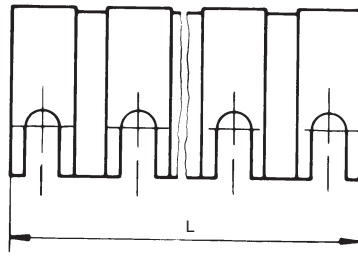
**Housing Material**—Polyamide 6/6

**Color**—Gray

**Continuous Working Temperature**—100°C [212°F]

**Series ABK 405, 406, & 415 Covers**

These covers mate with Series TSB500, TSB1000 and TSB1500. They do not mate with TSB500 SK.



**Cover for TSB500 Series**

| Dimensions<br>L x W x H                | Catalog<br>Number |
|--|-------------------|
| 18 x 29 x 18.8 (.709 x 1.142 x .740)   | ABK 405 02        |
| 28 x 29 x 18.8 (1.102 x 1.142 x .740)  | ABK 405 03        |
| 38 x 29 x 18.8 (1.496 x 1.142 x .740)  | ABK 405 04        |
| 58 x 29 x 18.8 (2.283 x 1.142 x .740)  | ABK 405 06        |
| 118 x 29 x 18.8 (4.646 x 1.142 x .740) | ABK 405 12        |

**Cover for TSB1000 Series**

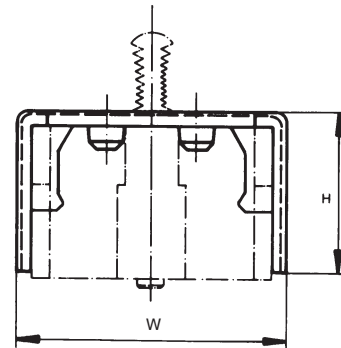
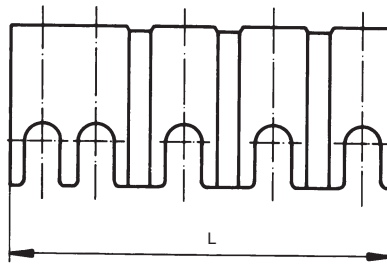
| Dimensions<br>L x W x H                  | Catalog<br>Number |
|--|-------------------|
| 21 x 35.5 x 20.7 (.827 x 1.398 x .815)   | ABK 406 02        |
| 33 x 35.5 x 20.7 (1.299 x 1.398 x .815)  | ABK 406 03        |
| 45 x 35.5 x 20.7 (1.772 x 1.398 x .815)  | ABK 406 04        |
| 69 x 35.5 x 20.7 (2.717 x 1.398 x .815)  | ABK 406 06        |
| 141 x 35.5 x 20.7 (5.551 x 1.398 x .815) | ABK 406 12        |

**Cover for TSB1500 Series**

| Dimensions<br>L x W x H                    | Catalog<br>Number |
|--|-------------------|
| 24 x 37.5 x 25.5 (.945 x 1.476 x 1.004)    | ABK 415 02        |
| 37.5 x 37.5 x 25.5 (1.476 x 1.476 x 1.004) | ABK 415 03        |
| 51 x 37.5 x 25.5 (2.008 x 1.476 x 1.004)   | ABK 415 04        |
| 78 x 37.5 x 25.5 (3.071 x 1.476 x 1.004)   | ABK 415 06        |
| 158 x 37.5 x 25.5 (6.220 x 1.476 x 1.004)  | ABK 415 12        |

**Series ABK 503 Covers**

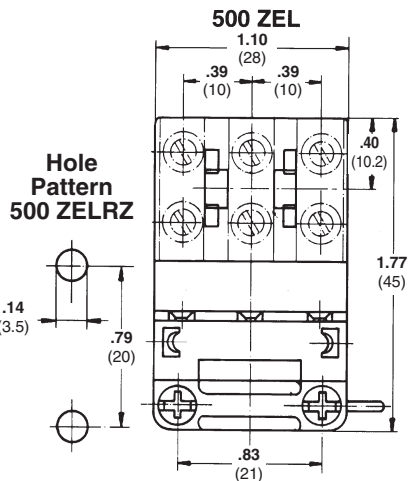
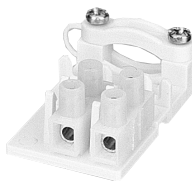
These covers mate with Series 503Si.



**Cover for 503Si Series**

| Dimensions<br>L x W x H                   | Catalog<br>Number |
|---|-------------------|
| 13.5 x 30.5 x 18.5 (.531 x 1.201 x .728)  | ABK 503 02        |
| 24 x 30.5 x 18.5 (.945 x 1.201 x .728)    | ABK 503 03        |
| 33.5 x 30.5 x 18.5 (1.319 x 1.201 x .728) | ABK 503 04        |
| 43 x 30.5 x 18.5 (1.693 x 1.201 x .728)   | ABK 503 05        |

**Strain Relief (for Series TSB500)—Series 500...ZEL**



**Material & Finish**

**Housing Material**—Polyamide 6/6

**Color**—White

**Tracking Resistance**—CTI 600

**Screw**—Steel

**Screw Plating**—Zinc with yellow chromate C 2.9 x 13mm [.114 x .512]

**Environmental Properties**

**Continuous Working**

**Temperature**—  
-35°C to +100°C [-31°F to +212°F]

| Description                      | Part Number | Catalog Number |
|----------------------------------|-------------|----------------|
| For Series TSB500                | 1546182-1   | 500 3ZEL       |
| With Catch Pin for Series TSB500 | 1546182-2   | 500 3ZELRZ     |

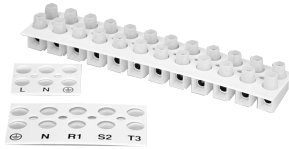
Strain reliefs are provided with a captive clamping mechanism that can be rotated by 180° accommodating variable sizes of conductors. Two Phillips screws are enclosed.

A cable guide comb for TSB500 of 3 or more circuits fixes the Europa block to the strain relief. A screw mounts the Europa block to the 500 3ZEL; a catch pin mounts the block to the 500 3ZELRZ



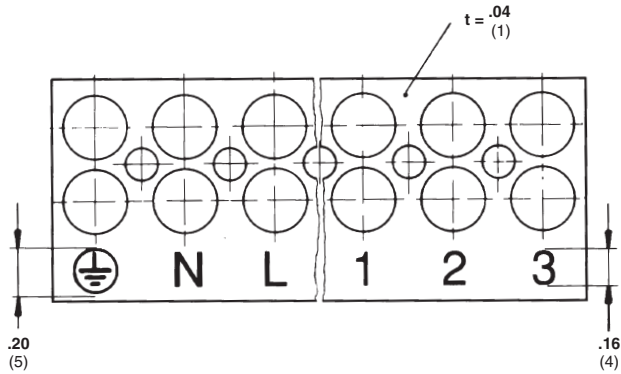
**Note:** All part numbers are RoHS Compliant.

**Blank Marking Labels—Series...BZ (2-12 Circuits)**



**Material & Finish**

**Material**—Roughened synthetic  
**Color**—White  
**Thickness**—1mm



| Catalog Number       |                      |                       |                       |                       |
|----------------------|----------------------|-----------------------|-----------------------|-----------------------|
| <b>TSB230 Series</b> | <b>TSB500 Series</b> | <b>TSB1000 Series</b> | <b>TSB1500 Series</b> | <b>TSB2000 Series</b> |
| 230 BZM              | 500 BZM              | 1000 BZM              | 1500 BZM              | 2000 BZM              |

Standard Package: 100 pieces per catalog number, 2-meter [6.56 ft] length

Each pole is provided with 2 holes allowing the marking labels to be slipped on the “chimney” tops, and with a mounting hole corresponding to the mounting hole of the connectors.

**Marking Strips:**

Series TSB Marking Strips are available in both Standard and Custom-cut lengths. Standard Marking Strips are supplied blank, 2 meters [6.56 ft] in length which the customer may

cut to suit individual length requirement. Custom Marking Strips are supplied pre-cut, and may be ordered blank or with printing. Marking Strips protrude from the barrier strip approximately 5mm [.197] on one side, and can be affixed to either the bottom or the top of the barrier strip.

| TSB230 Series |                | TSB500 Series |                | TSB1000 Series |                | TSB1500 Series | TSB2000 Series |
|---------------|----------------|---------------|----------------|----------------|----------------|----------------|----------------|
| Part Number   | Catalog Number | Part Number   | Catalog Number | Part Number    | Catalog Number | Catalog Number | Catalog Number |
| —             | M230 BZ 02     | —             | M500 BZ 02     | —              | M1000 BZ 02    | M1500 BZ 02    | M2000 BZ 02    |
| 1-1437387-5   | M230 BZ 03     | —             | M500 BZ 03     | —              | M1000 BZ 03    | M1500 BZ 03    | M2000 BZ 03    |
| 1-1437387-6   | M230 BZ 04     | —             | M500 BZ 04     | —              | M1000 BZ 04    | M1500 BZ 04    | M2000 BZ 04    |
| —             | M230 BZ 05     | —             | M500 BZ 05     | —              | M1000 BZ 05    | M1500 BZ 05    | M2000 BZ 05    |
| —             | M230 BZ 06     | 2-1437387-3   | M500 BZ 06     | —              | M1000 BZ 06    | M1500 BZ 06    | M2000 BZ 06    |
| —             | M230 BZ 07     | —             | M500 BZ 07     | —              | M1000 BZ 07    | M1500 BZ 07    | M2000 BZ 07    |
| —             | M230 BZ 08     | —             | M500 BZ 08     | 1546830-8      | M1000 BZ 08    | M1500 BZ 08    | M2000 BZ 08    |
| 1-1437387-7   | M230 BZ 09     | —             | M500 BZ 09     | —              | M1000 BZ 09    | M1500 BZ 09    | M2000 BZ 09    |
| 1-1437387-8   | M230 BZ 10     | —             | M500 BZ 10     | —              | M1000 BZ 10    | M1500 BZ 10    | M2000 BZ 10    |
| —             | M230 BZ 11     | —             | M500 BZ 11     | —              | M1000 BZ 11    | M1500 BZ 11    | M2000 BZ 11    |
| 1-1437387-9   | M230 BZ 12     | 2-1437387-4   | M500 BZ 12     | 1437387-6      | M1000 BZ 12    | M1500 BZ 12    | M2000 BZ 12    |

Standard Package: 250 pieces per catalog number

**Note:** All part numbers  
are RoHS Compliant.

---

## Engineering Notes

---



Компания «Life Electronics» занимается поставками электронных компонентов импортного и отечественного производства от производителей и со складов крупных дистрибьюторов Европы, Америки и Азии.

С конца 2013 года компания активно расширяет линейку поставок компонентов по направлению коаксиальный кабель, кварцевые генераторы и конденсаторы (керамические, пленочные, электролитические), за счёт заключения дистрибьюторских договоров

Мы предлагаем:

- Конкурентоспособные цены и скидки постоянным клиентам.
- Специальные условия для постоянных клиентов.
- Подбор аналогов.
- Поставку компонентов в любых объемах, удовлетворяющих вашим потребностям.
- Приемлемые сроки поставки, возможна ускоренная поставка.
- Доставку товара в любую точку России и стран СНГ.
- Комплексную поставку.
- Работу по проектам и поставку образцов.
- Формирование склада под заказчика.
- Сертификаты соответствия на поставляемую продукцию (по желанию клиента).
- Тестирование поставляемой продукции.
- Поставку компонентов, требующих военную и космическую приемку.
- Входной контроль качества.
- Наличие сертификата ISO.

В составе нашей компании организован Конструкторский отдел, призванный помогать разработчикам, и инженерам.

Конструкторский отдел помогает осуществить:

- Регистрацию проекта у производителя компонентов.
- Техническую поддержку проекта.
- Защиту от снятия компонента с производства.
- Оценку стоимости проекта по компонентам.
- Изготовление тестовой платы монтаж и пусконаладочные работы.



Тел: +7 (812) 336 43 04 (многоканальный)

Email: [org@lifeelectronics.ru](mailto:org@lifeelectronics.ru)