

# D-DF

D-Sub connectors - Screw-machined Contacts

## FIXED MACHINED CONTACT CONNECTOR



CHARACTERISTICS

### Specifications

- Connectors according to MIL C24308 - NFC93425-HE5

| Materials and Platings |   |
|------------------------|---|
| <b>Shells</b>          | Steel tinned with dimples on plug connector   |
| <b>Insulator</b>       | Glass-filled thermoplastic, UL 94V-0  |
| <b>Rear insert</b>     | Brass, 3µm up to 5µm (118µ" up to 197µ")<br>tinned over nickel 2µm up to 3µm<br>(78µ" up to 118µ")  |
| <b>Boardlock</b>       | Tin plating 4µm up to 6µm<br>(157µ" up to 236µ") over nickel 2µm up to 3µm<br>(78µ" up to 118µ")  |
| <b>Screwlock</b>       | Brass, 6µm up to 10µm (236µ" up to 394µ")<br>tinned over nickel 2µm up to 3µm<br>(78µ" up to 118µ")   |
| <b>Contacts</b>        | <b>D:</b> brass<br><b>DF:</b> pin = brass<br>socket = copper alloy<br><b>Right angle version:</b> full gold plating over 2µm to 3µm nickel<br><b>Straight version:</b> full gold plating over 2µm up to 3µm (78µ" up to 118µ") nickel |

| Electrical Data              |   |
|------------------------------|---|
| <b>Current rating</b>        | 7.5A                                      |
| <b>Voltage rating</b>        | 300V AC/rms 50Hz                          |
| <b>Withstanding voltage</b>  | 1000V AC/rms 50Hz for one minute          |
| <b>Insulation resistance</b> | 5000MΩ                                    |
| <b>Contact resistance</b>    | <b>D:</b> 8.5mΩ max<br><b>DF:</b> 5mΩ max |

| Climatic Data                |   |
|------------------------------|---|
| <b>Operating temperature</b> | <b>D / DF:</b> -55°C to + 125°C   |
| <b>Salt spray</b>            | 48 hours  |
| <b>Humidity</b>              | <b>D:</b> 21 days (40°C - 95% HR)<br><b>DF:</b> 56 days (40°C - 95% HR) |

| Mechanical Data                  |               |              |
|----------------------------------|---------------|--------------|
| <b>Mating and unmating force</b> |               |              |
| Unit: kg ( lb)                   |               |              |
| No. of Cts                       | Mate (max)    | Unmate (min) |
| 9 (size E)                       | 3.05 (6.74)   | 0.36 (0.79)  |
| 15 (size A)                      | 5.09 (11.24)  | 0.46 (1.01)  |
| 25 (size B)                      | 8.44 (18.66)  | 0.81 (1.8)   |
| 37 (size C)                      | 12.51 (27.65) | 1.1 (2.47)   |
| 50 (size D)                      | 14.65 (32.38) | 1.6 (3.56)   |

DESCRIPTION

Amphenol's 17D and 17DF series fixed contact D-Subminiature connector is suitable for industrial or telecom use.

The machined contact provide stability and reliability.

This series offers the broadest range of termination options in the Amphenol line.

*Connectors  
for industrial  
and  
telecom use*

APPLICATIONS

- Medical
- Industrial
- Telecom
- Any industry standard I / O connections



**Amphenol**

D-DF / E18

## Shell size dimensions



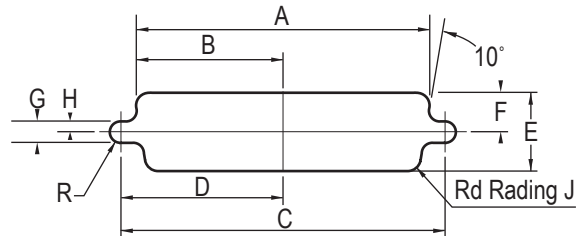
| Shell size | Contact<br>P: Pin<br>S: Socket | A<br>±0.25<br>(±.010) | B<br>0/-0.20<br>(0/- .008) | B'<br>+0.20/0<br>(+.008/0) | C<br>±0.10<br>(±.004) | D<br>0/-0.25<br>(0/- .010) | D'<br>+0.25/0<br>(+.010/0) | E<br>±0.20<br>(±.008) | F<br>+0.05/-0.20<br>(+.002/- .008) | F'<br>+0.10/-0.20<br>(+.004/- .008) | G<br>+0.10/-0.20<br>(+.004/- .008) | G'<br>±0.10<br>(±.004) | H<br>+0.10/-0.40<br>(+.004/- .016) | J<br>0/-0.50<br>(0/- .020) |
|------------|--------------------------------|-----------------------|----------------------------|----------------------------|-----------------------|----------------------------|----------------------------|-----------------------|------------------------------------|-------------------------------------|------------------------------------|------------------------|------------------------------------|----------------------------|
| E          | P                              | 30.7<br>(1.209")      |                            | 16.8<br>(.661")            | 25.0<br>(.984")       |                            | 8.2<br>(.323")             | 12.4<br>(.488")       |                                    | 10.9<br>(.429")                     |                                    | 5.9<br>(.232")         | 19.4<br>(.764")                    | 11.0<br>(.433")            |
|            | S                              |                       | 16.4<br>(.646")            |                            |                       | 8.0<br>(.315")             |                            |                       | 11.1<br>(.437")                    |                                     | 6.2<br>(.244")                     |                        |                                    |                            |
| A          | P                              | 39.0<br>(1.535")      |                            | 25.1<br>(.988")            | 33.3<br>(1.311")      |                            | 8.2<br>(.323")             | 12.4<br>(.488")       |                                    | 10.9<br>(.429")                     |                                    | 5.9<br>(.232")         | 27.7<br>(1.091")                   | 11.0<br>(.433")            |
|            | S                              |                       | 24.8<br>(.976")            |                            |                       | 8.0<br>(.315")             |                            |                       | 11.1<br>(.437")                    |                                     | 6.2<br>(.244")                     |                        |                                    |                            |
| B          | P                              | 52.9<br>(2.083")      |                            | 38.8<br>(1.528")           | 47.0<br>(1.850")      |                            | 8.2<br>(.323")             | 12.4<br>(.488")       |                                    | 11.0<br>(.433")                     |                                    | 5.8<br>(.228")         | 41.4<br>(1.630")                   | 11.0<br>(.433")            |
|            | S                              |                       | 38.5<br>(1.513")           |                            |                       | 8.0<br>(.315")             |                            |                       | 11.1<br>(.437")                    |                                     | 6.2<br>(.244")                     |                        |                                    |                            |
| C          | P                              | 69.2<br>(2.724")      |                            | 55.3<br>(2.177")           | 63.5<br>(2.500")      |                            | 8.2<br>(.323")             | 12.4<br>(.488")       |                                    | 11.0<br>(.433")                     |                                    | 5.8<br>(.228")         | 57.9<br>(2.280")                   | 11.0<br>(.433")            |
|            | S                              |                       | 54.9<br>(2.161")           |                            |                       | 8.0<br>(.315")             |                            |                       | 11.1<br>(.437")                    |                                     | 6.2<br>(.244")                     |                        |                                    |                            |
| D          | P                              | 66.8<br>(2.630")      |                            | 52.7<br>(2.075")           | 61.1<br>(2.406")      |                            | 11.0<br>(.433")            | 15.2<br>(.598")       |                                    | 11.0<br>(.433")                     |                                    | 5.8<br>(.228")         | 55.5<br>(2.185")                   | 13.8<br>(.543")            |
|            | S                              |                       | 52.5<br>(2.067")           |                            |                       | 10.9<br>(.429")            |                            |                       | 11.1<br>(.437")                    |                                     | 6.2<br>(.244")                     |                        |                                    |                            |

## Panel cutouts

Optimal cutout for rear mounting



Standard cutout



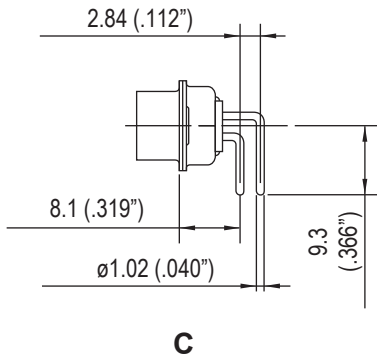
| Shell size | Mounting method | A<br>±0.20<br>(±.008) | B<br>±0.20<br>(±.008) | C<br>±0.20<br>(±.008) | D<br>±0.20<br>(±.008) | E<br>±0.20<br>(±.008) | F<br>±0.20<br>(±.008) | G<br>±0.20<br>(±.008) | H<br>±0.20<br>(±.008) | J<br>±0.20<br>(±.008) |
|------------|-----------------|-----------------------|-----------------------|-----------------------|-----------------------|-----------------------|-----------------------|-----------------------|-----------------------|-----------------------|
| E          | Front           | 22.2<br>(.874")       | 11.1<br>(.437")       | 25.0<br>(.984")       | 12.5<br>(.492")       | 13.0<br>(.512")       | 6.5<br>(.256")        | 3.0<br>(.118")        | 1.5<br>(.059")        | 2.1<br>(.083")        |
|            | Rear            | 20.5<br>(.807")       | 10.2<br>(.402")       |                       |                       |                       |                       |                       |                       |                       |
| A          | Front           | 30.5<br>(1.201")      | 15.3<br>(.602")       | 33.3<br>(1.311")      | 16.7<br>(.657")       | 13.0<br>(.512")       | 6.5<br>(.256")        | 3.0<br>(.118")        | 1.5<br>(.059")        | 2.1<br>(.083")        |
|            | Rear            | 28.8<br>(1.134")      | 14.4<br>(.567")       |                       |                       |                       |                       |                       |                       |                       |
| B          | Front           | 44.3<br>(1.744")      | 22.1<br>(.870")       | 47.0<br>(1.850")      | 23.5<br>(.925")       | 13.0<br>(.512")       | 6.5<br>(.256")        | 3.0<br>(.118")        | 1.5<br>(.059")        | 2.1<br>(.083")        |
|            | Rear            | 42.5<br>(1.673")      | 21.3<br>(.839")       |                       |                       |                       |                       |                       |                       |                       |
| C          | Front           | 60.7<br>(2.390")      | 30.4<br>(1.197")      | 63.5<br>(2.500")      | 31.7<br>(1.248")      | 13.0<br>(.512")       | 6.5<br>(.256")        | 3.0<br>(.118")        | 1.5<br>(.059")        | 2.1<br>(.083")        |
|            | Rear            | 59.1<br>(2.327")      | 29.5<br>(1.161")      |                       |                       |                       |                       |                       |                       |                       |
| D          | Front           | 58.3<br>(2.295")      | 29.2<br>(1.150")      | 61.1<br>(2.406")      | 30.6<br>(1.205")      | 15.8<br>(.622")       | 7.9<br>(.311")        | 3.0<br>(.118")        | 1.5<br>(.059")        | 2.1<br>(.083")        |
|            | Rear            | 56.3<br>(2.217")      | 28.2<br>(1.110")      |                       |                       |                       |                       |                       |                       |                       |

# Termination

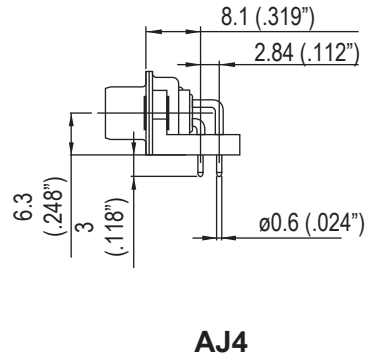
## Right angle

### MIL Footprint

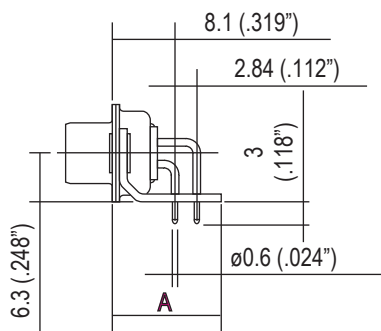
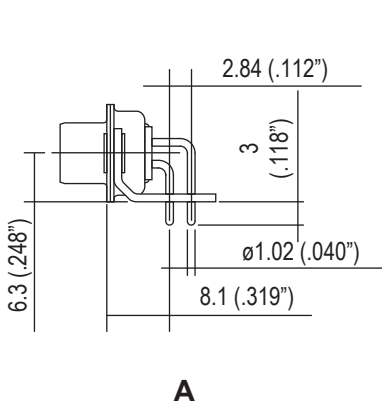
without bracket:



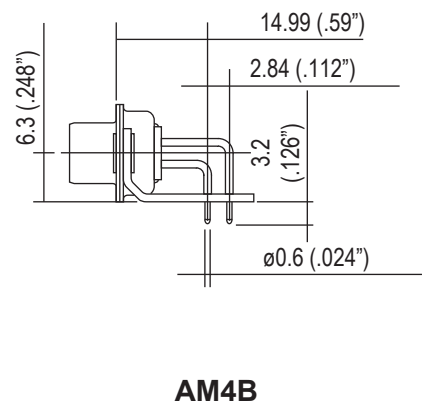
plastic bracket:



metal bracket:



**AM4: A=13.2mm**  
**AZ4: A=11.5mm**



50 contacts:



# Termination

## European footprint

without bracket:



**1AON: X=2.54mm**  
**1BON: X=2.84mm**

plastic bracket:

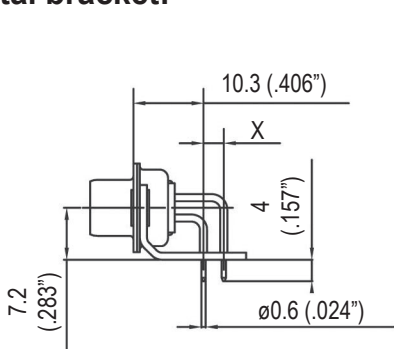


**1APN: X=2.54mm**  
**1BPN: X=2.84mm**

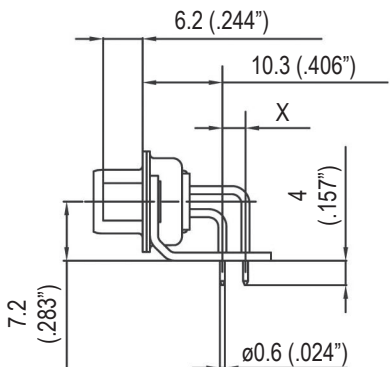


**1AUN: X=2.54mm**  
**1BUN: X=2.84mm**

metal bracket:



**1AMN: X=2.54mm**  
**1BMN: X=2.84mm**



**1ATN: X=2.54mm**  
**1BTN: X=2.84mm**

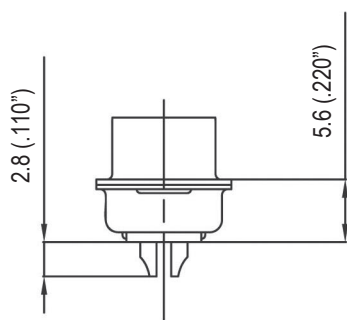
50 contacts:





## Termination

### Solder Cup:

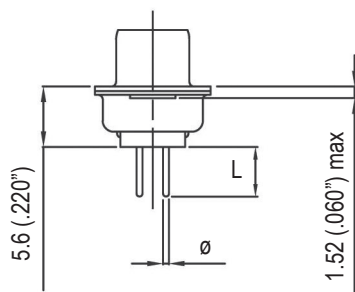


### Wire Wrap:



| termination  | Nb of wraps | L             |
|--------------|-------------|---------------|
| <b>F179</b>  | 2           | 9.6mm (.378") |
| <b>F179A</b> | 3           | 13mm (.512")  |

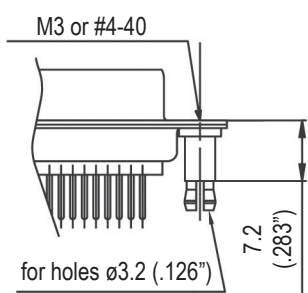
### Straight PCB:



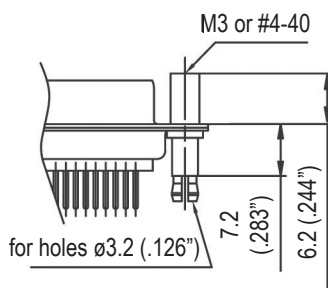
| termination | Ø              | L             |
|-------------|----------------|---------------|
| <b>U</b>    | 0.6mm (.024")  | 3.2mm (.126") |
| <b>V</b>    | 1.02mm (.040") | 2.4mm (.095") |
| <b>T</b>    | 0.6mm (.024")  | 4mm (.157")   |
| <b>OL2</b>  | 0.6mm (.024")  | 5.5mm (.217") |

### Grounding tabs:

#### For straight termination



**RM5**



**RM8**

#### For R/A termination

#### FOR PCB 1.6



**RM6**

## Panel mounting option

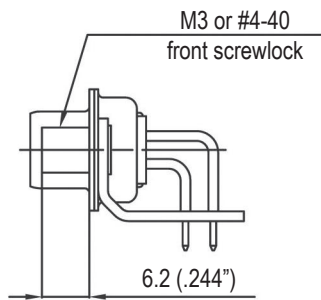
For straight and R/A termination



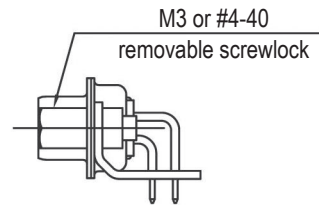
Standard rivet 3.1mm  
**no digit**

Float mounting  
**F**

Threaded rear insert  
**H / G**

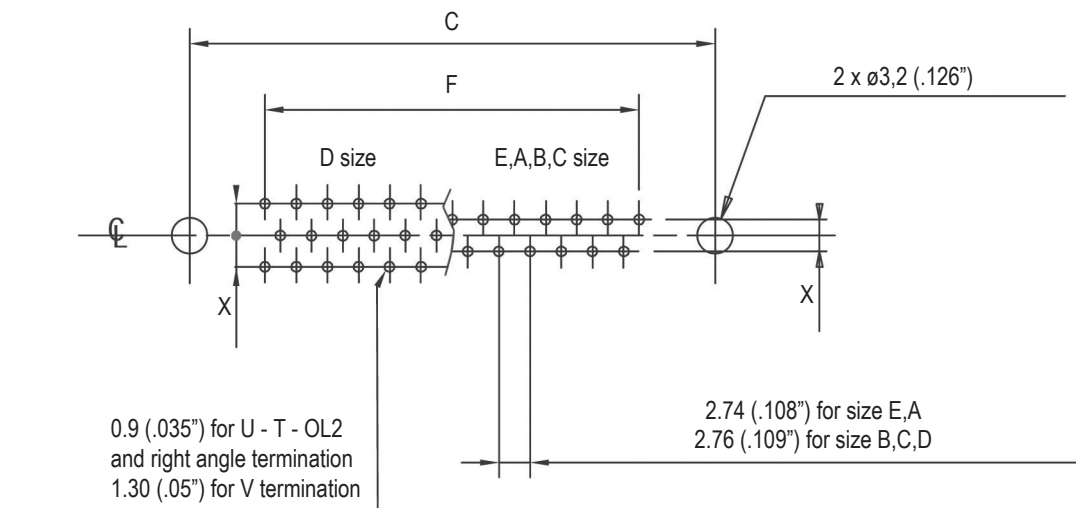


Fixed front female screwlock  
**VF / VFM**



Removable female screwlock  
**VF2 / VFM2**

## Recommended PCB Layout



For straight PCB: X = 2.84mm (.112")

For right angle PCB: MIL: X = 2.84mm (.112")

European: X = 2.54mm (.100"), 2.84mm in option

|                      | size E       | size A       | size B        | size C        | size D       |
|----------------------|--------------|--------------|---------------|---------------|--------------|
| <b>C±0,1 (.004)</b>  | 25 (.984)    | 33.3 (1.311) | 47 (1.85)     | 63.5 (2.5)    | 61.1 (2.406) |
| <b>F±0,05 (.002)</b> | 10.96 (.431) | 19.18 (.755) | 33.12 (1.304) | 49.68 (1.956) | 44.2 (1.74)  |

# How to order



**For special request, please consult factory**

**Memo**

Lined area for writing notes, consisting of 25 horizontal blue lines.

**Do not hesitate to contact us for further information**

Empty rectangular box for providing contact information or further details.

**Amphenol**

**Amphenol IT & Communication Products**

Block A3/A4, The 4th Industrial District of Industrial Headquarters, Dong Keng Road Gong Ming Town, Shen Zhen China  
Fax: +86(0)755 2754 9955

**Technical Support**

Tel: +86(0)755 2717 7945  
Info-dsub@amphenol.com.cn  
<http://www.dsubconnector.com>

Компания «Life Electronics» занимается поставками электронных компонентов импортного и отечественного производства от производителей и со складов крупных дистрибьюторов Европы, Америки и Азии.

С конца 2013 года компания активно расширяет линейку поставок компонентов по направлению коаксиальный кабель, кварцевые генераторы и конденсаторы (керамические, пленочные, электролитические), за счёт заключения дистрибьюторских договоров

Мы предлагаем:

- Конкурентоспособные цены и скидки постоянным клиентам.
- Специальные условия для постоянных клиентов.
- Подбор аналогов.
- Поставку компонентов в любых объемах, удовлетворяющих вашим потребностям.
- Приемлемые сроки поставки, возможна ускоренная поставка.
- Доставку товара в любую точку России и стран СНГ.
- Комплексную поставку.
- Работу по проектам и поставку образцов.
- Формирование склада под заказчика.
- Сертификаты соответствия на поставляемую продукцию (по желанию клиента).
- Тестирование поставляемой продукции.
- Поставку компонентов, требующих военную и космическую приемку.
- Входной контроль качества.
- Наличие сертификата ISO.

В составе нашей компании организован Конструкторский отдел, призванный помогать разработчикам, и инженерам.

Конструкторский отдел помогает осуществить:

- Регистрацию проекта у производителя компонентов.
- Техническую поддержку проекта.
- Защиту от снятия компонента с производства.
- Оценку стоимости проекта по компонентам.
- Изготовление тестовой платы монтаж и пусконаладочные работы.



Тел: +7 (812) 336 43 04 (многоканальный)

Email: [org@lifeelectronics.ru](mailto:org@lifeelectronics.ru)