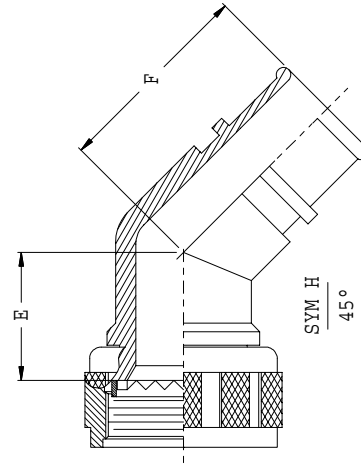
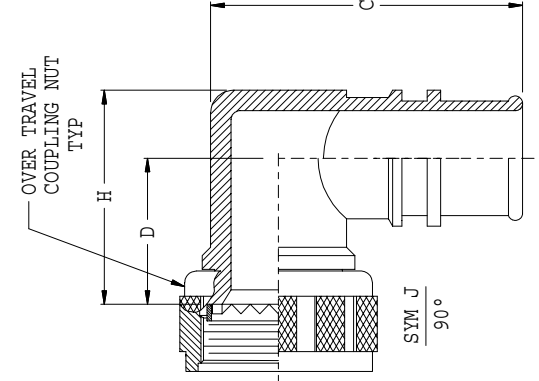
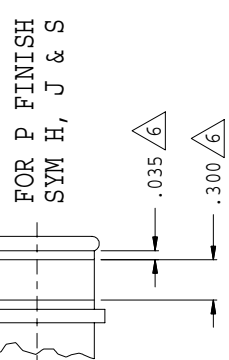
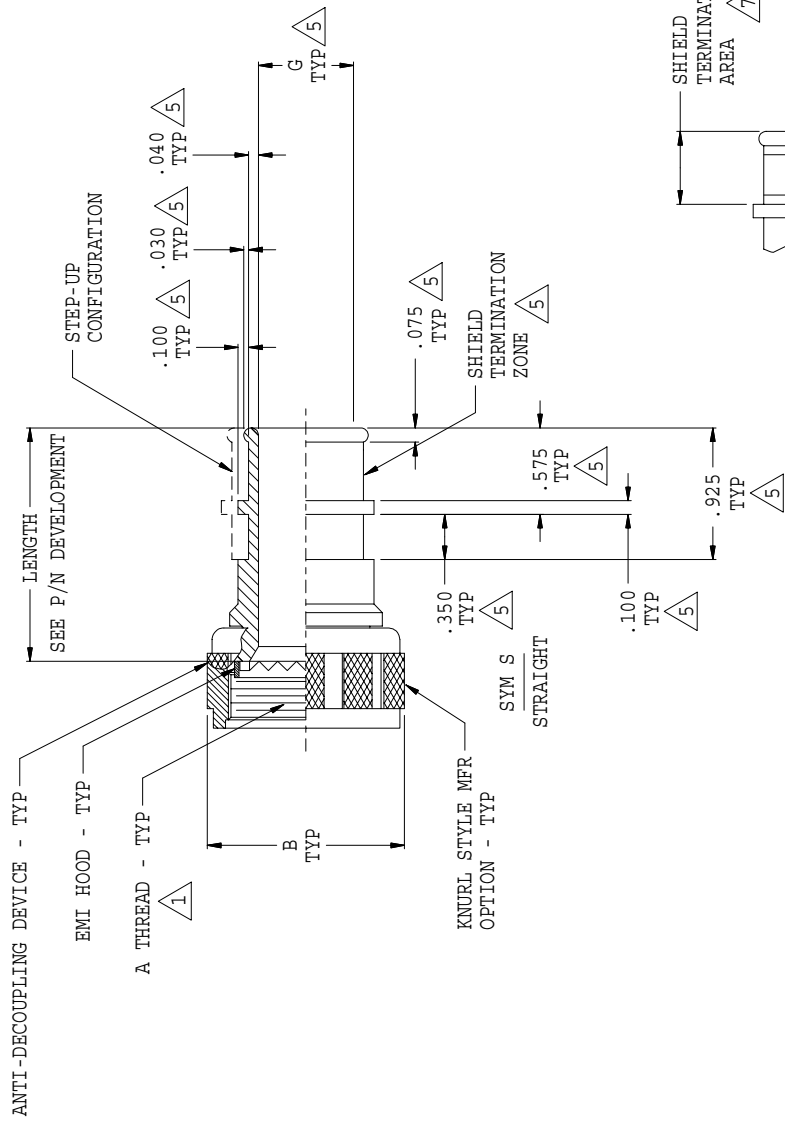


REVISIONS		
SYM.	DESCRIPTION	DATE
A	RELEASED	10/21/98
B	REVISED PER DCN 14279	11/12/98
C	REVISED PER DCN 14287	11/19/98
D	REVISED PER DCN 15219	08/13/99
E	REVISED PER DCN 15256	08/27/99
F	REVISED PER DCN 15355	09/28/99
G	REVISED PER DCN 15586	11/17/99
H	REVISED PER DCN 31644	02/18/09



THIS COPYRIGHTED DOCUMENT IS THE PROPERTY OF GLENAIR, INC. AND IS FURNISHED ON THE CONDITION THAT IT IS NOT TO BE DISCLOSED, REPRODUCED IN WHOLE OR IN PART, OR USED TO SOLICIT QUOTATIONS FROM COMPETITIVE SOURCES, OR USED FOR MANUFACTURE BY ANYONE OTHER THAN GLENAIR, INC. WITHOUT WRITTEN PERMISSION FROM GLENAIR, INC. THE INFORMATION HEREIN HAS BEEN DEVELOPED AT GLENAIR'S EXPENSE AND MAY BE USED FOR ENGINEERING EVALUATION AND INCORPORATION INTO TECHNICAL SPECIFICATIONS AND OTHER DOCUMENTS WHICH SPECIFY PROCUREMENT OF PRODUCTS FROM GLENAIR, INC.

CAD 1994

DRAWN	T. LE	02/10/94
CHECK	P. OAKES	02/10/94
ENGR	T. YOUNG	02/10/94

UNLESS OTHERWISE SPECIFIED
DIMENSIONS ARE IN INCHES

TOLERANCES:

FRACTIONS ± 1/16

DECIMALS .XX ± .03

DECIMALS .XXX ± .015

ANGLES ± 2°

DO NOT SCALE THIS DRAWING

RELEASE DATE 02/11/94

APPROVED

R. Parks

P. Oakes

NON REPARABLE COMMERCIAL ITEM

E/F 94-6618 P/C 4 4

SCALE N/A WEIGHT N/A

CODE IDENT. NO. SIZE 06324 C 447-233

REV. H

SHEET 1 OF 2

GLENAIR, INC.
1211 AIR WAY - GLENDALE - CALIFORNIA 91201

BACKSHELL, OVER TRAVEL, SELF-LOCKING,
RFI/EMI, FOR CONNECTORS PER TABLE I

TABLE I

SHELL SIZE	B		E		F
	A, F	H	A, F	H	
08	.812	.812	.756	1.147	±.094
10	1.196	.969	.783	1.173	±.094
12	1.062	1.062	.802	1.198	±.094
14	1.219	1.219	.834	1.224	±.094
16	1.345	1.345	.860	1.250	±.094
18	1.421	1.421	.886	1.276	±.094
20	1.562	1.562	.912	1.302	±.094
22	1.656	1.675	.938	1.328	±.094
24	1.796	1.796	.964	1.354	±.094

TABLE II

DASH NO	G		H		D
	A	MAX	A	MAX	
03	.188	1.059	.776	±.031	
04	.250	1.121	.807		
05	.312	1.183	.838		
06	.375	1.246	.869		
07	.438	1.309	.900		
08	.500	1.371	.931		
09	.562	1.433	.962		
10	.625	1.496	.993		
11	.688	1.559	1.024		
12	.750	1.621	1.055		
13	.812	1.683	1.086		
14	.875	1.745	1.117		
15	.938	1.807	1.148		
16	1.000	1.869	1.179		
17	1.062	1.931	1.213		
18	1.125	1.996	1.245		
19	1.188	2.058	1.276		
20	1.250	2.121	1.307		
21	1.312	2.184	1.338		
22	1.375	2.247	1.369		

TABLE III

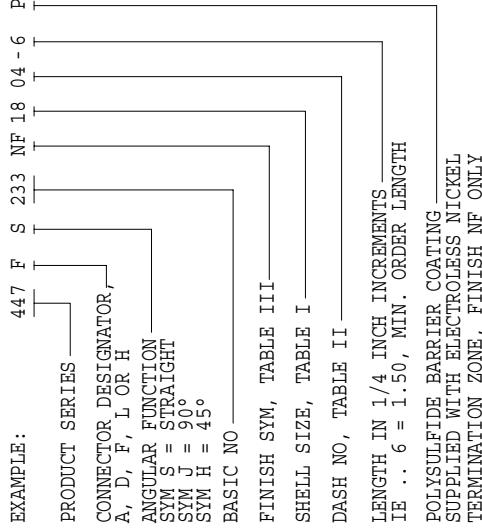
SYM	FINISH DESCRIPTION
NF	CAD/O. D. OVER ELECTROLESS NICKEL (1000 HOUR SALT SPRAY)
M	ELECTROLESS NICKEL

TABLE I (CONTINUED)

C ±.031 DASH NO.

SHELL SIZE	03	04	05	06	07	08	09	10	11	12	13	14	15	16	17	18	19	20	21	22
08/09	N/A	1.455	1.516	N/A	N/A	N/A	N/A	N/A	N/A	N/A	N/A	N/A	N/A	N/A	N/A	N/A	N/A	N/A	N/A	N/A
10/11	1.581	1.581	1.581	1.581	1.641	N/A	N/A	N/A	N/A	N/A	N/A	N/A	N/A	N/A	N/A	N/A	N/A	N/A	N/A	N/A
12/13	1.705	1.705	1.705	1.705	1.705	1.705	1.765	N/A	N/A	N/A	N/A	N/A	N/A	N/A	N/A	N/A	N/A	N/A	N/A	N/A
14/15	1.822	1.822	1.822	1.822	1.822	1.822	1.822	1.822	1.822	1.822	1.822	1.822	1.822	1.822	1.822	1.822	1.822	1.822	1.822	1.822
16/17	N/A	1.950	1.950	1.950	1.950	1.950	1.950	1.950	1.950	1.950	1.950	1.950	1.950	1.950	1.950	1.950	1.950	1.950	1.950	1.950
18/19	N/A	2.080	2.080	2.080	2.080	2.080	2.080	2.080	2.080	2.080	2.080	2.080	2.080	2.080	2.080	2.080	2.080	2.080	2.080	2.080
20/21	N/A	N/A	N/A	2.205	2.205	2.205	2.205	2.205	2.205	2.205	2.205	2.205	2.205	2.205	2.205	2.205	2.205	2.205	2.205	2.205
22/23	N/A	N/A	N/A	2.311	2.311	2.311	2.311	2.311	2.311	2.311	2.311	2.311	2.311	2.311	2.311	2.311	2.311	2.311	2.311	2.311
24/25	N/A	N/A	N/A	2.431	2.431	2.431	2.431	2.431	2.431	2.431	2.431	2.431	2.431	2.431	2.431	2.431	2.431	2.431	2.431	2.431

PART NUMBER DEVELOPMENT



NOTES:

- SEE SHEET 2 (COMMON ACCESSORY INTERFACE DATA STD-001).
- FOR EFFECTIVE GROUNDING, CONNECTOR WITH CONDUCTIVE FINISH SHOULD BE USED.
- GLENAIR 600 SERIES BACKSHELL ASSEMBLY TOOLS ARE RECOMMENDED FOR ASSEMBLY AND INSTALLATION.
- EQUIVALENT TO BELL HELICOPTER SPEC # 30-269.
- THESE DIMENSIONS ARE FOR SYM. H, J & S.
- AREA TO BE FREE OF POLYSULFIDE.
- FOR P FINISH, THIS AREA SHALL BE FREE OF CAD./O.D. TO PROVIDE A SHIELDED TERMINATION AREA. THE JUNCTION BETWEEN BARE NICKEL AND CADMIUM SHALL BE COVERED WITH A .03 MAXIMUM HEIGHT BEAD OF POLYSULFIDE.

8. MATERIAL/FINISH:

ADAPTERS, COUPLING NUT - AL ALLOY/SEE TABLE III
 ANTI-DECOUPLING DEVICE - CORROSION RESISTANT & HI-GRADE ENGINEERING THERMOPLASTIC MATERIALS

SYN.		REVISIONS	
DESCRIPTION	DATE	DESCRIPTION	DATE
SEE SHEET 1			

THIS COPYRIGHTED DOCUMENT IS THE PROPERTY OF GLENAIR, INC. AND IS FURNISHED ON THE CONDITION THAT IT IS NOT TO BE DISCLOSED, REPRODUCED IN WHOLE OR IN PART, OR USED TO SOLICIT QUOTATIONS FROM COMPETITIVE SOURCES, OR USED FOR MANUFACTURE BY ANYONE OTHER THAN GLENAIR, INC. WITHOUT WRITTEN PERMISSION FROM GLENAIR, INC. THE INFORMATION HEREIN HAS BEEN DEVELOPED AT GLENAIR'S EXPENSE AND MAY BE USED FOR ENGINEERING EVALUATION AND INCORPORATION INTO TECHNICAL SPECIFICATIONS AND OTHER DOCUMENTS WHICH SPECIFY PROCUREMENT OF PRODUCTS FROM GLENAIR, INC.	DRAWN T. LE CHECK P. OAKES ENGR T. YOUNG	02/10/94 02/10/94 02/10/94	CAD 1994 1211 AIR WAY - GLENDALE - CALIFORNIA 91201
UNLESS OTHERWISE SPECIFIED DIMENSIONS ARE IN INCHES TOLERANCES: FRACTIONS ± 1/16 DECIMALS .XX ±.03 .XXX ±.015 ANGLES ± 2°	R. Parks APPROVED	02/11/94 02/11/94	GLENAIR, INC. BACKSHELL, OVER TRAVEL, SELF-LOCKING, RFI/EMI, FOR CONNECTORS PER TABLE I
DO NOT SCALE THIS DRAWING B/F 94-6618 P/C 44	RELEASE DATE ORIGINAL DASHING DATE 02/11/94	CODE IDENT. NO. SIZE 06324 C 447-233	SCALE N/A WEIGHT N/A SHEET 2 OF 2

Компания «Life Electronics» занимается поставками электронных компонентов импортного и отечественного производства от производителей и со складов крупных дистрибьюторов Европы, Америки и Азии.

С конца 2013 года компания активно расширяет линейку поставок компонентов по направлению коаксиальный кабель, кварцевые генераторы и конденсаторы (керамические, пленочные, электролитические), за счёт заключения дистрибьюторских договоров

Мы предлагаем:

- Конкурентоспособные цены и скидки постоянным клиентам.
- Специальные условия для постоянных клиентов.
- Подбор аналогов.
- Поставку компонентов в любых объемах, удовлетворяющих вашим потребностям.
- Приемлемые сроки поставки, возможна ускоренная поставка.
- Доставку товара в любую точку России и стран СНГ.
- Комплексную поставку.
- Работу по проектам и поставку образцов.
- Формирование склада под заказчика.
- Сертификаты соответствия на поставляемую продукцию (по желанию клиента).
- Тестирование поставляемой продукции.
- Поставку компонентов, требующих военную и космическую приемку.
- Входной контроль качества.
- Наличие сертификата ISO.

В составе нашей компании организован Конструкторский отдел, призванный помогать разработчикам, и инженерам.

Конструкторский отдел помогает осуществить:

- Регистрацию проекта у производителя компонентов.
- Техническую поддержку проекта.
- Защиту от снятия компонента с производства.
- Оценку стоимости проекта по компонентам.
- Изготовление тестовой платы монтаж и пусконаладочные работы.



Тел: +7 (812) 336 43 04 (многоканальный)
Email: org@lifeelectronics.ru