

# NLAS4717

## 4.5 Ω High Bandwidth, Dual SPDT Analog Switch

The NLAS4717 is an advanced CMOS analog switch fabricated in sub-micron silicon gate CMOS technology. The device is a dual independent Single Pole Double Throw (SPDT) switch featuring two low  $R_{DS(on)}$  of 4.5 Ω at 3.0 V.

The device also features guaranteed Break-Before-Make (BBM) switching, assuring the switches never short the driver.

The NLAS4717 is available in two small size packages:

- ◆ Micro10: 3.0 x 5.0 mm
- ◆ Flip-Chip-10: 2.0 x 1.5 mm

### Features

- Low  $R_{DS(on)}$ : 4.5 Ω @ 3.0 V
- Matching Between the Switches ±0.5 Ω
- Wide Low Voltage Range: 1.8 V to 5.5 V
- High Bandwidth > 40 MHz
- 1.65 V to 5.5 V Operating Range
- Low Threshold Voltages on Pins 4 and 8 (CTRL Pins)
- Ultra-Low Charge Injection ≤ 6.0 pC
- Low Standby Current –  $I_{CC} = 1.0$  nA (Max) @  $T_A = 25^\circ\text{C}$
- OVT\* on Pins 4 and 8 (CTRL Logic Pins)
- Pb-Free Packages are Available

### Typical Applications

- Cell Phones
- PDAs
- MP3s
- Digital Still Cameras

### Important Information

- ESD Protection:  
HBM = 2000 V, MM = 200 V
- Latchup Max Rating: 200 mA (Per JEDEC EIA/JESD78)
- Pin-to-Pin Compatible with MAX4717

### \*OVT

- Overvoltage Tolerance (OVT) specific pins to operate higher than normal supply voltages, with no damage to the devices or to signal integrity.



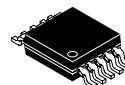
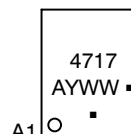
ON Semiconductor®

<http://onsemi.com>

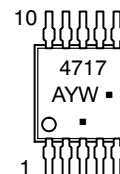
### MARKING DIAGRAMS



A1  
FLIP-CHIP-10  
CASE 489AA



Micro10  
CASE 846B



- A = Assembly Location
- Y = Year
- W, WW = Work Week
- = Pb-Free Package

### FUNCTION TABLE

IN_	NO_	NC_
0	OFF	ON
1	ON	OFF

### ORDERING INFORMATION

Device	Package	Shipping†
NLAS4717FCT1	Flip-Chip-10	3000 / Tape & Reel
NLAS4717FCT1G	Flip-Chip-10 (Pb-Free)	3000 / Tape & Reel
NLAS4717MR2	Micro10	4000 / Tape & Reel
NLAS4717MR2G	Micro10 (Pb-Free)	4000 / Tape & Reel

†For information on tape and reel specifications, including part orientation and tape sizes, please refer to our Tape and Reel Packaging Specifications Brochure, BRD8011/D.

# NLAS4717

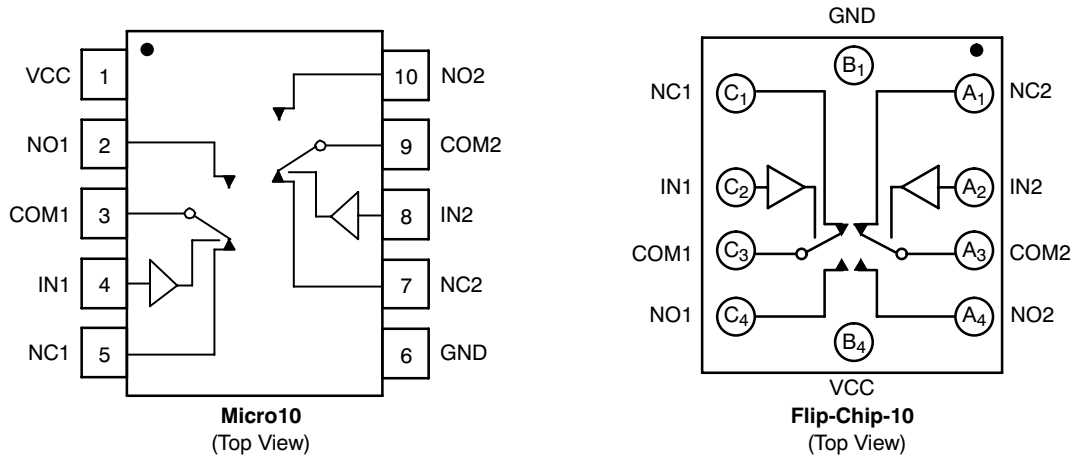


Figure 1. Device Circuit Diagrams and Pin Configurations

## MAXIMUM RATINGS

Symbol	Parameter	Value	Unit
V+	Positive DC Supply Voltage	-0.5 to +7.0	V
V <sub>IS</sub>	Analog Input Voltage (V <sub>NO</sub> , V <sub>NC</sub> , or V <sub>COM</sub> ) (Note 1)	-0.5 ≤ V <sub>IS</sub> ≤ V <sub>CC</sub> + 0.5	V
V <sub>IN</sub>	Digital Select Input Voltage	-0.5 ≤ V <sub>I</sub> ≤ +7.0	V
I <sub>IK</sub>	DC Current, Into or Out of Any Pin (Continuous)	±100	mA
I <sub>PK</sub>	Peak Current (10% Duty Cycle)	±200	mA

Stresses exceeding Maximum Ratings may damage the device. Maximum Ratings are stress ratings only. Functional operation above the Recommended Operating Conditions is not implied. Extended exposure to stresses above the Recommended Operating Conditions may affect device reliability.

- Signal voltage on NC, NO, and COM exceeding V<sub>CC</sub> or GND are clamped by the internal diodes. Limit forward diode current to maximum current rating.

## RECOMMENDED OPERATING CONDITIONS

Symbol	Parameter	Min	Max	Unit
V+	DC Supply Voltage	1.8	5.5	V
V <sub>IN</sub>	Digital Select Input Voltage	GND	5.5	V
V <sub>IS</sub>	Analog Input Voltage (NC, NO, COM)	GND	V <sub>CC</sub>	V
T <sub>A</sub>	Operating Temperature Range	-40	+85	°C
t <sub>r</sub> , t <sub>f</sub>	Input Rise or Fall Time, SELECT	0	100	ns/V
		V <sub>CC</sub> = 3.3 V ± 0.3 V	20	
		V <sub>CC</sub> = 5.0 V ± 0.5 V		

## ANALOG SWITCH DC CHARACTERISTICS

Symbol	Parameter	Condition	V <sub>CC</sub> (V)	-40 °C to +85 °C		Unit
				Min	Max	
V <sub>IH</sub>	Input Logic High Voltage	V <sub>OUT</sub> = 0.1 V I <sub>OUT</sub> ≤ 20 μA	1.65 to 2.2 2.7 to 3.6 4.5 to 5.5	V <sub>CC</sub> × 0.55 V <sub>CC</sub> × 0.5 2.0	- - -	V
V <sub>IL</sub>	Input Logic Low Voltage	V <sub>OUT</sub> = -V <sub>CC</sub> - 0.1 V I <sub>OUT</sub> ≤ 20 μA	1.65 to 2.2 2.7 to 3.6 4.5 to 5.5	- - -	V <sub>CC</sub> × 0.2 V <sub>CC</sub> × 0.2 0.8	V
I <sub>IN</sub>	Input Leakage Current	V <sub>IN</sub> = V <sub>CC</sub> or GND	5.0	-100	+100	nA
V <sub>CC</sub>	Power Supply Range	All	-	1.65	5.5	V
I <sub>CC</sub>	Supply Current	V <sub>IN</sub> = V <sub>CC</sub> or GND I <sub>OUT</sub> = 0 μA	1.8 3.3 5.0	- - -	1.0 1.0 1.0	μA
V <sub>IS</sub>	Analog Signal Range	Key parameter	-	0	V <sub>CC</sub>	V

# NLAS4717

## ANALOG SWITCH CHARACTERISTICS - Digital Section (Voltages Referenced to GND)

Symbol	Parameter	Condition	V <sub>CC</sub> (V)	-40 °C to +85°C			Unit
				Min	Typ	Max	
R <sub>ON</sub>	ON Resistance (Note 2)	V <sub>CC</sub> = 3.0 V I <sub>COM</sub> = 10 mA V <sub>NO</sub> or V <sub>NC</sub> = V <sub>IH</sub> or V <sub>IL</sub>	3.0	-		4.5	Ω
		V <sub>CC</sub> = 5.0 V I <sub>COM</sub> = 10 mA V <sub>NO</sub> or V <sub>NC</sub> = V <sub>IH</sub> or V <sub>IL</sub>	5.0	-		3.5	
ΔR <sub>ON</sub>	ON Resistance Match Between Channels (Note 2 and 3)	V <sub>CC</sub> = 3.6 V I <sub>COM</sub> = 10 mA V <sub>NO</sub> or V <sub>NC</sub> = V <sub>IH</sub> or V <sub>IL</sub>	3.6	-	0.1	0.4	Ω
		V <sub>CC</sub> = 5.5 V I <sub>COM</sub> = 10 mA V <sub>NO</sub> or V <sub>NC</sub> = V <sub>IH</sub> or V <sub>IL</sub>	5.5				
R <sub>FLAT[ON]</sub>	ON Resistance Flatness (Note 4)	I <sub>COM</sub> = 10 mA V <sub>IS</sub> = 0 to V <sub>CC</sub>	3.0	-		1.5	Ω
		I <sub>COM</sub> = 10 mA V <sub>IS</sub> = 0 to V <sub>CC</sub>	5.5	-		1.36	
I <sub>NO_[OFF]</sub> I <sub>NC_[OFF]</sub>	NO_, NC_ Off-Leakage Current (Note 5)	V <sub>CC</sub> = 3.6 V V <sub>COM</sub> = 0.3 V or 3.3 V V <sub>NO</sub> or V <sub>NC</sub> = 0.3 V or 3.3 V	3.6	-1.0	0.01	+1.0	nA
		V <sub>CC</sub> = 5.5 V V <sub>COM</sub> = 0 V or 5.0 V V <sub>NO</sub> or V <sub>NC</sub> = 0 V or 5.0 V	5.5	-1.0	0.01	+1.0	
I <sub>COM_[ON]</sub>	COM_ On-Leakage Current (Note 5)	V <sub>CC</sub> = 3.6 V V <sub>COM</sub> = 0.3 V or 3.3 V V <sub>NO</sub> or V <sub>NC</sub> = 0.3 V or 3.3 V	3.6	-2.0	0.01	+2.0	nA
		V <sub>CC</sub> = 5.5 V V <sub>COM</sub> = 0 V or 5.0 V V <sub>NO</sub> or V <sub>NC</sub> = 0 V or 5.0 V	5.5	-2.0	0.01	+2.0	

## ANALOG SWITCH AC CHARACTERISTICS

Symbol	Parameter	Condition	V <sub>CC</sub> (V)	-40 °C to +85°C			Unit
				Min	Typ	Max	
t <sub>ON</sub>	Turn-On Time	V <sub>NC_</sub> , V <sub>NO_</sub> = V <sub>IH</sub> or V <sub>IL</sub> R <sub>L</sub> = 300 Ω, C <sub>L</sub> = 35 pF V <sub>IN[x]</sub> = V <sub>IH</sub> or V <sub>IL</sub>	1.8 to 5.5	-	-	30	nS
t <sub>OFF</sub>	Turn-Off Time	V <sub>NC_</sub> , V <sub>NO_</sub> = V <sub>IH</sub> or V <sub>IL</sub> R <sub>L</sub> = 300 Ω, C <sub>L</sub> = 35 pF V <sub>IN[x]</sub> = V <sub>IH</sub> or V <sub>IL</sub>	1.8 to 5.5	-	-	40	nS
t <sub>BBM</sub>	Break-Before-Make Time Delay (Note 5)	V <sub>NC_</sub> , V <sub>NO_</sub> = 1.5 V R <sub>L</sub> = 300 Ω, C <sub>L</sub> = 35 pF	-	-	8.0	-	nS
t <sub>SKEW</sub>	Skew (Note 5)	R <sub>S</sub> = 39 Ω, C <sub>L</sub> = 50 pF	-	-	0.15	2.0	nS

2. R<sub>ON</sub> characterized for V<sub>CC</sub> range (1.65 V to 5.5 V).

3. ΔR<sub>ON</sub> = R<sub>ON</sub>(MAX) - R<sub>ON</sub>(MIN).

4. R<sub>FLAT[ON]</sub> = R<sub>ON</sub>(MAX) - R<sub>ON</sub>(MIN), measured over V<sub>CC</sub> range.

5. Guaranteed by design.

# NLAS4717

## ANALOG SWITCH APPLICATION CHARACTERISTICS

Symbol	Parameter	Condition	V <sub>CC</sub> (V)	-40 °C to +85°C			Unit
				Min	Typ	Max	
Q	Charge Injection	V <sub>IN</sub> = V <sub>CC</sub> to GND R <sub>IN</sub> = 0 Ω, C <sub>L</sub> = 1.0 nF Q = C <sub>L</sub> · ΔV <sub>OUT</sub>	3.0 5.0		6.0 9.0		pC
VISO	Off-Isolation	f = 10 MHz V <sub>NO_</sub> , V <sub>NC_</sub> = 1.0 Vp-p R <sub>L</sub> = 50 Ω, C <sub>L</sub> = 5.0 pF	1.65 to 5.5		-50		dB
		f = 1.0 MHz V <sub>NO_</sub> , V <sub>NC_</sub> = 1.0 Vp-p R <sub>L</sub> = 50 Ω, C <sub>L</sub> = 5.0 pF			-75		
VCT	Cross-Talk	f = 10 MHz V <sub>NO_</sub> , V <sub>NC_</sub> = 1.0 Vp-p R <sub>L</sub> = 50 Ω, C <sub>L</sub> = 5.0 pF	1.65 to 5.5		-80		dB
		f = 1.0 MHz V <sub>NO_</sub> , V <sub>NC_</sub> = 1.0 Vp-p R <sub>L</sub> = 50 Ω, C <sub>L</sub> = 5.0 pF			-110		
BW	On-Channel -3.0 db Bandwidth	Signal = 0 dB R <sub>L</sub> = 50 Ω, C <sub>L</sub> = 5.0 pF	1.8 to 5.0		40		MHz
THD	Total Harmonic Distortion	V <sub>COM</sub> = 2.0 Vp-p, R <sub>L</sub> = 600 Ω, T <sub>A</sub> = 25°C	-		0.02		%
C <sub>NO_[OFF]</sub> C <sub>NC_[OFF]</sub>	NO_, NC_ OFF-Capacitance	F = 10 MHz	-		30		pF
C <sub>NO_[ON]</sub> C <sub>NC_[ON]</sub>	NO_, NC_ ON-Capacitance	F = 10 MHz	-		110		pF

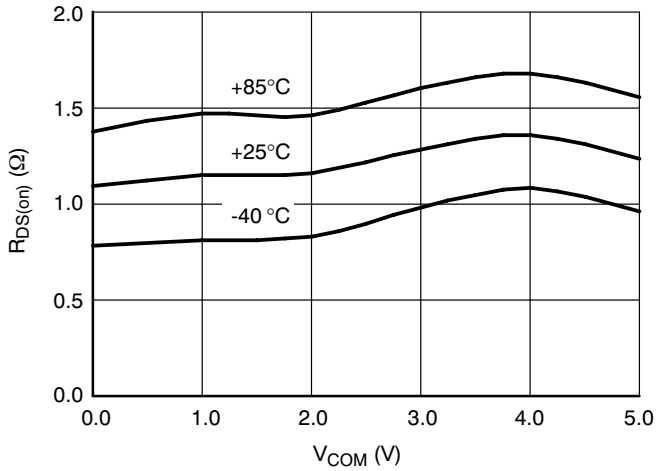


Figure 2. Low  $R_{DS(on)}$  @  $V_{CC} = 5.0$  V

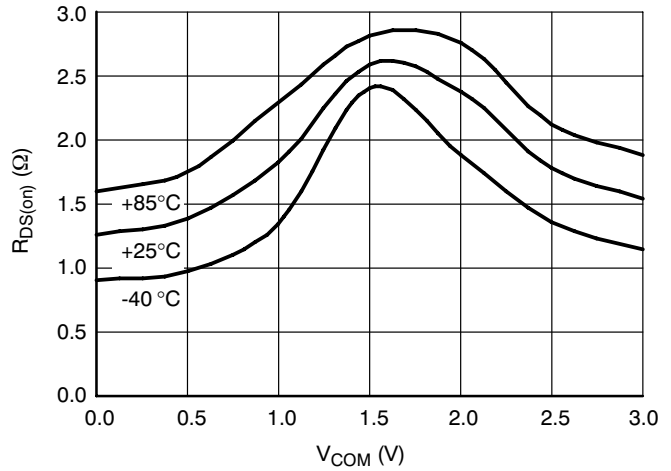


Figure 3. Low  $R_{DS(on)}$  @  $V_{CC} = 3.0$  V

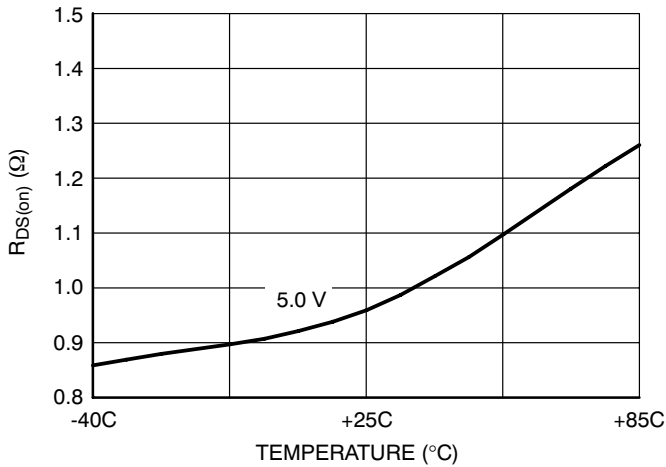


Figure 4. Delta  $R_{DS(on)}$  @  $V_{CC} = 5.0$  V

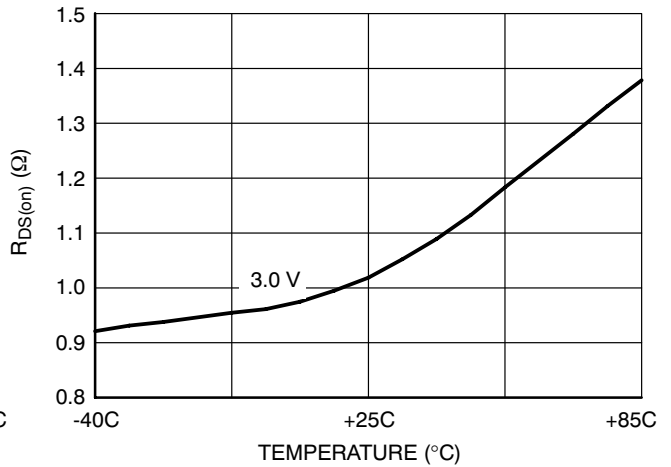


Figure 5. Delta  $R_{DS(on)}$  @  $V_{CC} = 3.0$  V

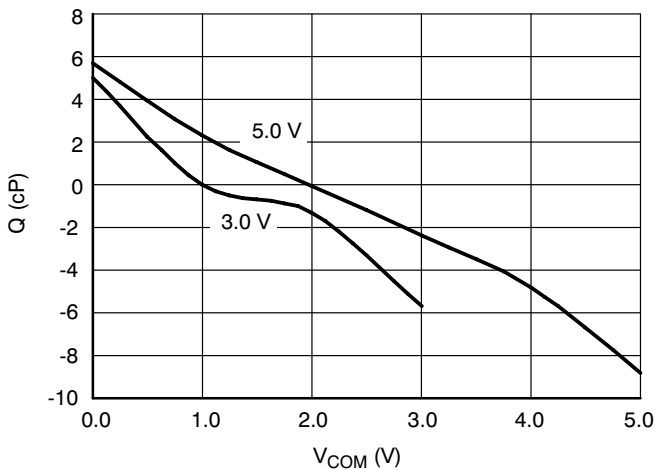


Figure 6. Charge Injection

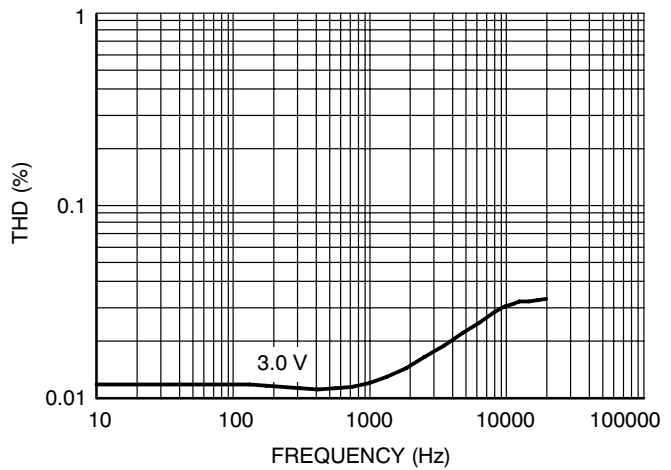


Figure 7. Total Harmonic Distortion

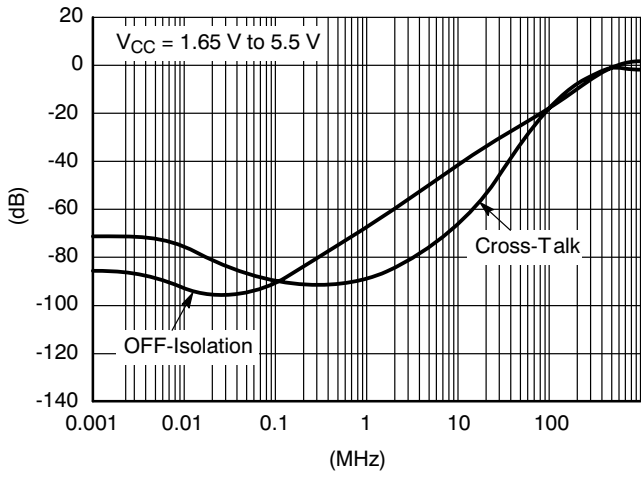


Figure 8. Frequency Response

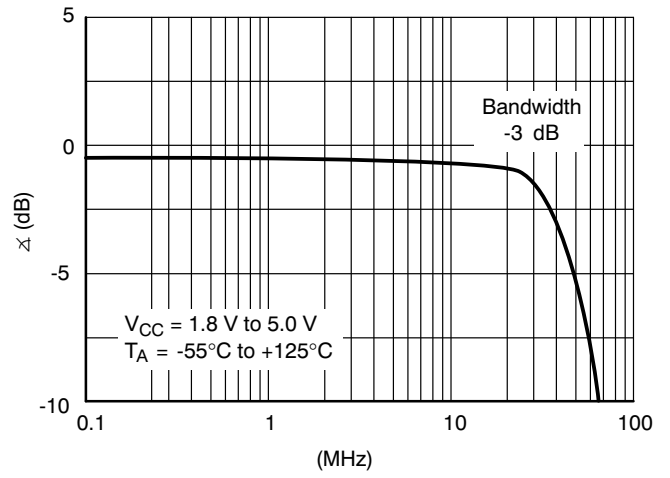


Figure 9. Bandwidth and Phase

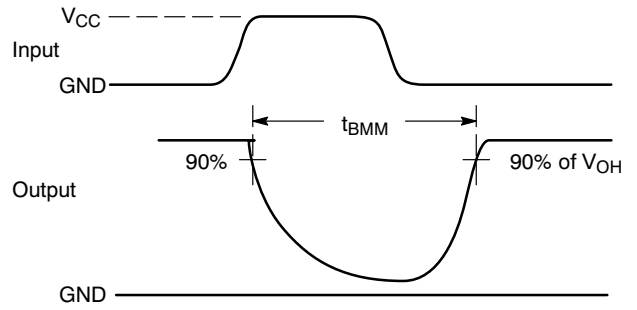
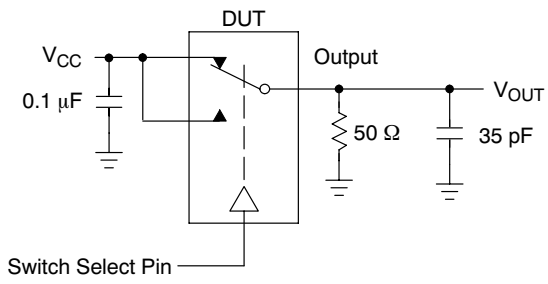


Figure 10.  $t_{BMM}$  (Time Break-Before-Make)

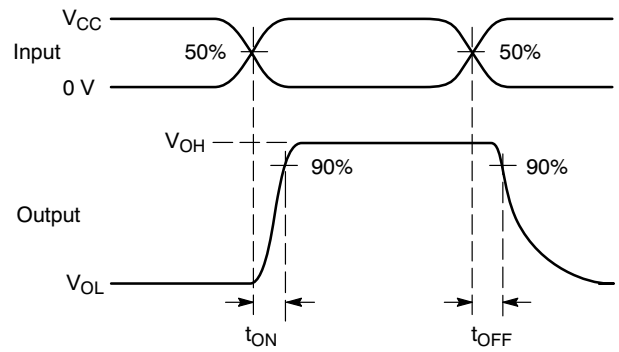
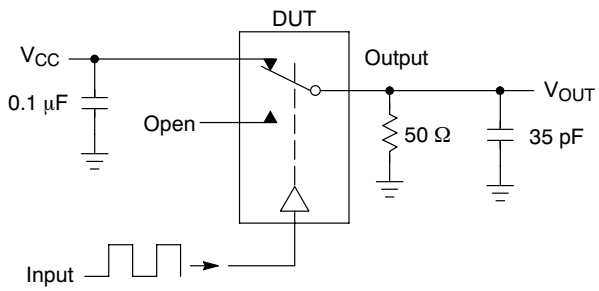


Figure 11.  $t_{ON}/t_{OFF}$

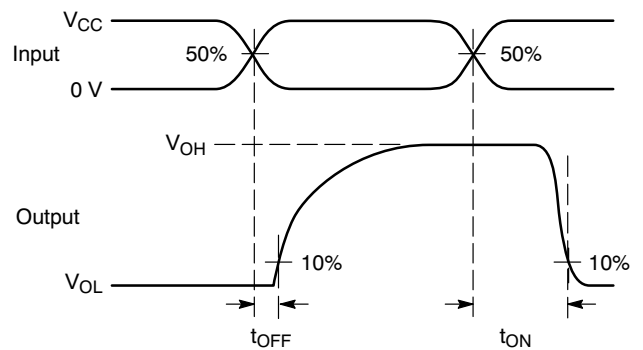
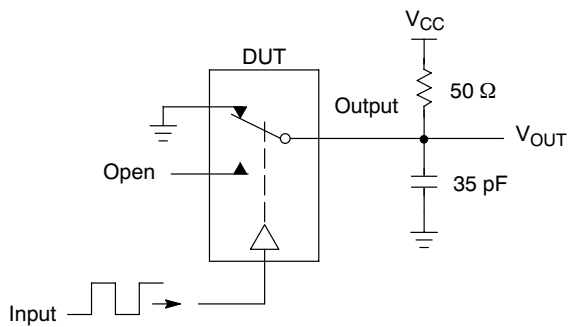
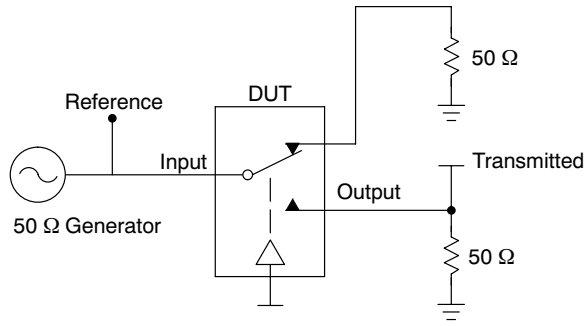


Figure 12.  $t_{ON}/t_{OFF}$

# NLAS4717



Channel switch control/s test socket is normalized. Off isolation is measured across an off channel. On loss is the bandwidth of an On switch.  $V_{ISO}$ , Bandwidth and  $V_{ONL}$  are independent of the input signal direction.

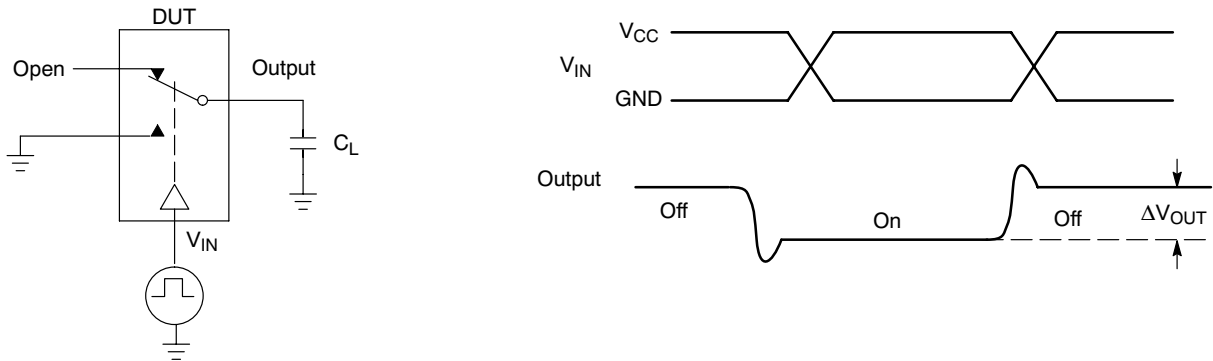
$$V_{ISO} = \text{Off Channel Isolation} = 20 \text{ Log} \left( \frac{V_{OUT}}{V_{IN}} \right) \text{ for } V_{IN} \text{ at } 100 \text{ kHz}$$

$$V_{ONL} = \text{On Channel Loss} = 20 \text{ Log} \left( \frac{V_{OUT}}{V_{IN}} \right) \text{ for } V_{IN} \text{ at } 100 \text{ kHz to } 50 \text{ MHz}$$

Bandwidth (BW) = the frequency 3.0 dB below  $V_{ONL}$

$V_{CT}$  = Use  $V_{ISO}$  setup and test to all other switch analog input/outputs terminated with 50  $\Omega$

**Figure 13. Off Channel Isolation/On Channel Loss (BW)/Crosstalk (On Channel to Off Channel)/ $V_{ONL}$**



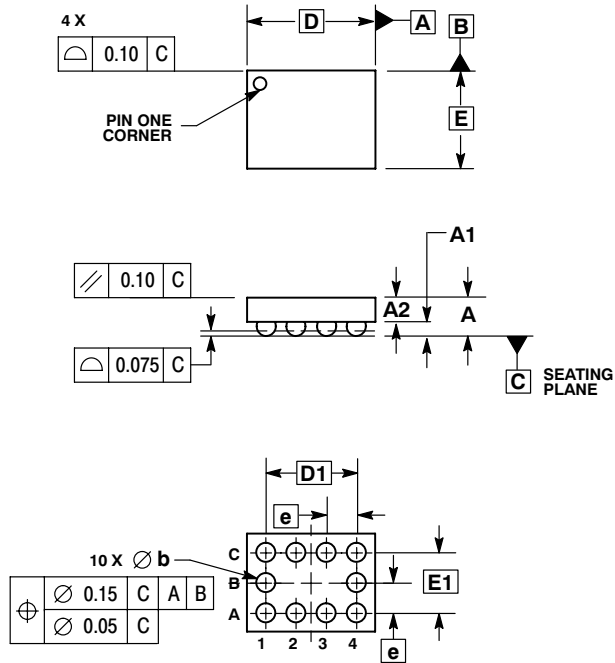
**Figure 14. Charge Injection: (Q)**



# NLAS4717

## PACKAGE DIMENSIONS

### 10 PIN FLIP-CHIP CASE 489AA-01 ISSUE A



#### NOTES:

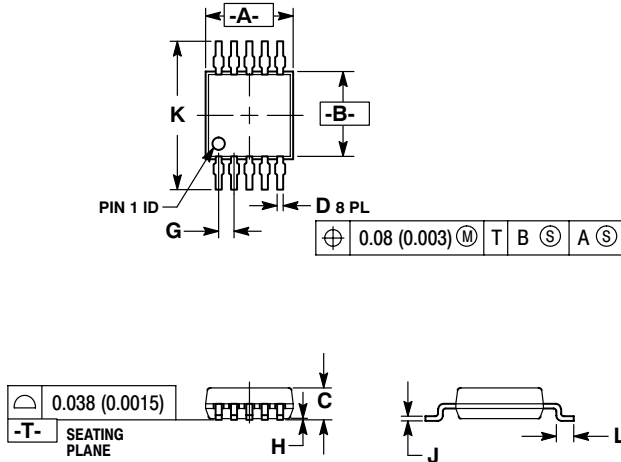
1. DIMENSIONING AND TOLERANCING PER ASME Y14.5M, 1994.
2. CONTROLLING DIMENSION: MILLIMETERS.
3. COPLANARITY APPLIES TO SPHERICAL CROWNS OF SOLDER BALLS.

DIM	MILLIMETERS	
	MIN	MAX
A	---	0.650
A1	0.210	0.270
A2	0.280	0.380
D	1.965 BSC	
E	1.465 BSC	
b	0.250	0.350
e	0.500 BSC	
D1	1.500 BSC	
E1	1.000 BSC	

# NLAS4717

## PACKAGE DIMENSIONS

Micro10  
CASE 846B-03  
ISSUE D

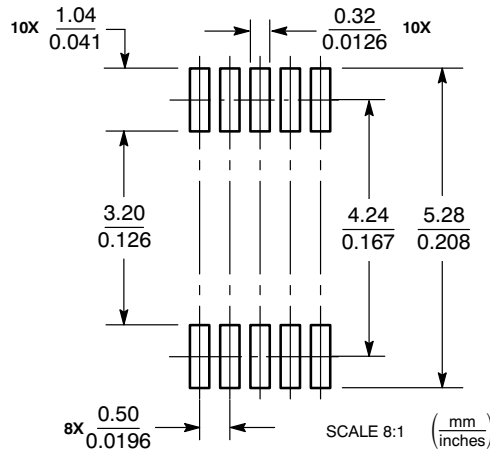


### NOTES:

1. DIMENSIONING AND TOLERANCING PER ANSI Y14.5M, 1982.
2. CONTROLLING DIMENSION: MILLIMETER.
3. DIMENSION "A" DOES NOT INCLUDE MOLD FLASH, PROTRUSIONS OR GATE BURRS. MOLD FLASH, PROTRUSIONS OR GATE BURRS SHALL NOT EXCEED 0.15 (0.006) PER SIDE.
4. DIMENSION "B" DOES NOT INCLUDE INTERLEAD FLASH OR PROTRUSION. INTERLEAD FLASH OR PROTRUSION SHALL NOT EXCEED 0.25 (0.010) PER SIDE.
5. 846B-01 OBSOLETE. NEW STANDARD 846B-02

DIM	MILLIMETERS		INCHES	
	MIN	MAX	MIN	MAX
A	2.90	3.10	0.114	0.122
B	2.90	3.10	0.114	0.122
C	0.95	1.10	0.037	0.043
D	0.20	0.30	0.008	0.012
G	0.50 BSC		0.020 BSC	
H	0.05	0.15	0.002	0.006
J	0.10	0.21	0.004	0.008
K	4.75	5.05	0.187	0.199
L	0.40	0.70	0.016	0.028

### SOLDERING FOOTPRINT\*



\*For additional information on our Pb-Free strategy and soldering details, please download the ON Semiconductor Soldering and Mounting Techniques Reference Manual, SOLDERRM/D.

ON Semiconductor and are registered trademarks of Semiconductor Components Industries, LLC (SCILLC). SCILLC reserves the right to make changes without further notice to any products herein. SCILLC makes no warranty, representation or guarantee regarding the suitability of its products for any particular purpose, nor does SCILLC assume any liability arising out of the application or use of any product or circuit, and specifically disclaims any and all liability, including without limitation special, consequential or incidental damages. "Typical" parameters which may be provided in SCILLC data sheets and/or specifications can and do vary in different applications and actual performance may vary over time. All operating parameters, including "Typicals" must be validated for each customer application by customer's technical experts. SCILLC does not convey any license under its patent rights nor the rights of others. SCILLC products are not designed, intended, or authorized for use as components in systems intended for surgical implant into the body, or other applications intended to support or sustain life, or for any other application in which the failure of the SCILLC product could create a situation where personal injury or death may occur. Should Buyer purchase or use SCILLC products for any such unintended or unauthorized application, Buyer shall indemnify and hold SCILLC and its officers, employees, subsidiaries, affiliates, and distributors harmless against all claims, costs, damages, and expenses, and reasonable attorney fees arising out of, directly or indirectly, any claim of personal injury or death associated with such unintended or unauthorized use, even if such claim alleges that SCILLC was negligent regarding the design or manufacture of the part. SCILLC is an Equal Opportunity/Affirmative Action Employer. This literature is subject to all applicable copyright laws and is not for resale in any manner.

### PUBLICATION ORDERING INFORMATION

**LITERATURE FULFILLMENT:**  
Literature Distribution Center for ON Semiconductor  
P.O. Box 5163, Denver, Colorado 80217 USA  
**Phone:** 303-675-2175 or 800-344-3860 Toll Free USA/Canada  
**Fax:** 303-675-2176 or 800-344-3867 Toll Free USA/Canada  
**Email:** orderlit@onsemi.com

**N. American Technical Support:** 800-282-9855 Toll Free  
USA/Canada  
**Europe, Middle East and Africa Technical Support:**  
Phone: 421 33 790 2910  
**Japan Customer Focus Center**  
Phone: 81-3-5773-3850

**ON Semiconductor Website:** [www.onsemi.com](http://www.onsemi.com)  
**Order Literature:** <http://www.onsemi.com/orderlit>  
For additional information, please contact your local Sales Representative

Компания «Life Electronics» занимается поставками электронных компонентов импортного и отечественного производства от производителей и со складов крупных дистрибьюторов Европы, Америки и Азии.

С конца 2013 года компания активно расширяет линейку поставок компонентов по направлению коаксиальный кабель, кварцевые генераторы и конденсаторы (керамические, пленочные, электролитические), за счёт заключения дистрибьюторских договоров

Мы предлагаем:

- Конкурентоспособные цены и скидки постоянным клиентам.
- Специальные условия для постоянных клиентов.
- Подбор аналогов.
- Поставку компонентов в любых объемах, удовлетворяющих вашим потребностям.
- Приемлемые сроки поставки, возможна ускоренная поставка.
- Доставку товара в любую точку России и стран СНГ.
- Комплексную поставку.
- Работу по проектам и поставку образцов.
- Формирование склада под заказчика.
- Сертификаты соответствия на поставляемую продукцию (по желанию клиента).
- Тестирование поставляемой продукции.
- Поставку компонентов, требующих военную и космическую приемку.
- Входной контроль качества.
- Наличие сертификата ISO.

В составе нашей компании организован Конструкторский отдел, призванный помогать разработчикам, и инженерам.

Конструкторский отдел помогает осуществить:

- Регистрацию проекта у производителя компонентов.
- Техническую поддержку проекта.
- Защиту от снятия компонента с производства.
- Оценку стоимости проекта по компонентам.
- Изготовление тестовой платы монтаж и пусконаладочные работы.



Тел: +7 (812) 336 43 04 (многоканальный)

Email: [org@lifeelectronics.ru](mailto:org@lifeelectronics.ru)