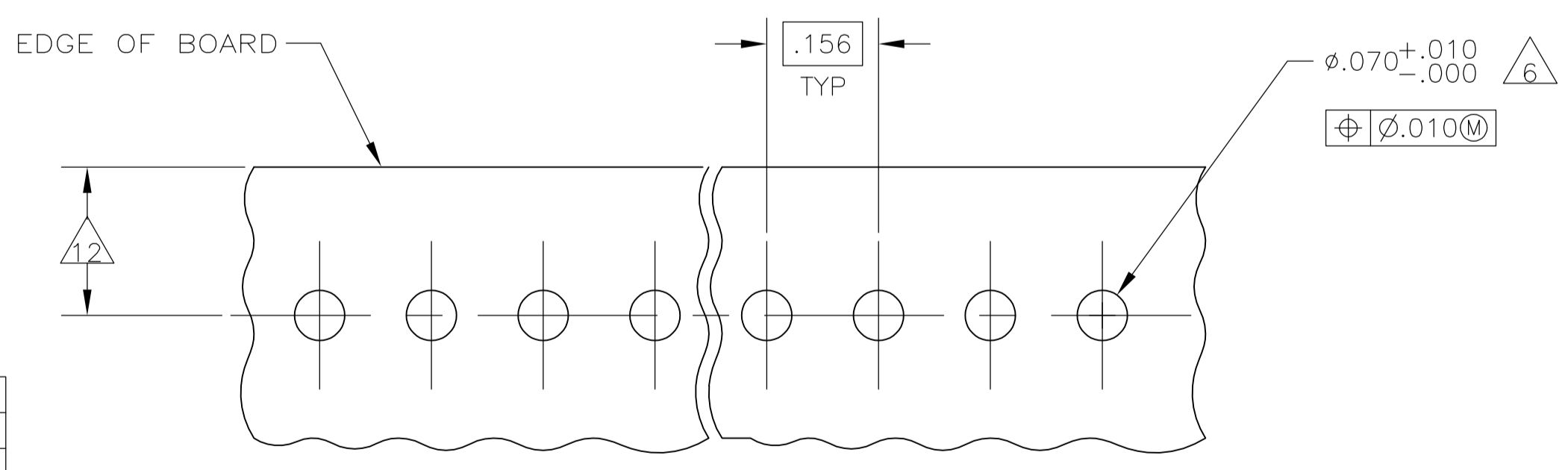


- 1 POST TO WITHSTAND 13 NEWTONS (3LBS.) MIN. AXIAL FORCE IN BOTH DIRECTIONS SHOWN WITHOUT DISLODGING.
- 2 TOLERANCES APPLY TO SOLDER SIDE OF BOARD.
- 3 MEASURED AT SURFACE -C-
- 4 PLASTIC FLASH PERMITTED IN THIS AREA.
- 5 PARTS COMPLY WITH AMP SOLDERABILITY SPEC. NO. 109-11-2.
- 6 ONE HOLE MAY BE UNDERSIZED (.065/.060 DIA.) FOR ASSEMBLY RETENTION DURING WAVE SOLDERING.
- 7 MATERIAL: HEADER-THERMOPLASTIC POLYESTER NON-FILLED 94V-0(NATURAL) POST-COPPER ALLOY (SEE NOTES 13 & 14 FOR PLATING)
- 8 COORDINATE DIMENSION APPLIES FROM CENTER OF ACTUAL FEATURE.
- 9 PLASTIC BURRS CAUSED BY CUT-OFF TOOLING ARE PERMITTED WITHIN THE MAXIMUM TOLERANCE ENVELOPE.
- 10 POST TO BE MEASURED WHEN STRIP IS HELD FLAT.
- 11 POST MUST WITHSTAND TWO 90° BENDS AGAINST EXTRUSION WITHOUT BREAKING.
- 12 DIMENSION SHOULD BE .140-.430 WHEN MATING WITH A MTA 156 CONNECTOR ASSEMBLY, .140 MIN WHEN MATING WITH A SL 156 WIRE-TO-BOARD CONNECTOR ASSEMBLY OR .140-.475 WHEN MATING WITH A SL 156 BOARD-TO-BOARD CONNECTOR ASSEMBLY.
- 13 PLATING: GOLD PLATE AREA, .000030 GOLD OR .000003 MIN GOLD FLASH OVER .000027 PALLADIUM NICKEL, PER TE CONNECTIVITY'S DISCRETION, ALL SIDES, OVER NICKEL UNDERPLATE, .000050 MIN, ALL SIDES AND ENTIRE LENGTH OF POST.
- 14 BRIGHT TIN/LEAD (93/7) PLATE AREA, .000150-.000350 THICK, ALL FOUR SIDES, .175 MIN. FOR -2 THRU -24. MATTE TIN PLATE AREA .000150-.000350 THICK ALL FOUR SIDES, .175" MIN FOR -32 THRU -54
- 15 OBSOLETE PARTS: OBSOLETE CIS STREAMLINING PER D.RENAUD/D.SINISI



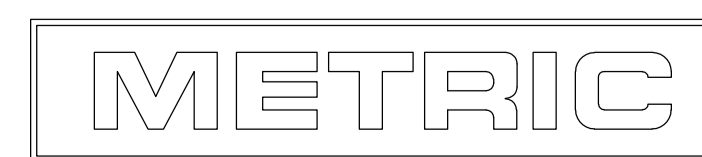
RECOMMENDED MOUNTING HOLE PATTERN FOR .063 THICK P.C. BOARD

| | | | |
|---------|---------|-------|-------|
| .063 | 1.60 | - | - |
| .060 | 1.52 | - | - |
| .045 | 1.14 | 1.000 | 25.40 |
| .030 | 0.76 | .475 | 12.07 |
| .018 | 0.46 | .430 | 10.92 |
| .015 | 0.38 | .415 | 10.54 |
| .012 | 0.30 | .390 | 9.91 |
| .010 | 0.25 | .250 | 6.35 |
| .008 | 0.20 | .156 | 3.96 |
| .005 | 0.13 | .140 | 3.56 |
| .001 | 0.03 | .125 | 3.18 |
| .000350 | 0.00889 | .100 | 2.54 |
| .000150 | 0.00381 | .078 | 1.98 |
| .000050 | 0.00127 | .070 | 1.78 |
| .000015 | 0.00038 | .065 | 1.65 |
| IN | MM | IN | MM |

CONVERSION TABLE

| | | | | | | | | | | | |
|----|--------------------------|-----|-------|-------|----|------------|----------|-------|-------|----|-------------|
| 15 | SUPERCEDED BY 5-641204-4 | TIN | 3.744 | 95.10 | 24 | 5-641204-4 | TIN-LEAD | 3.744 | 95.10 | 24 | 2-641204-4- |
| 15 | SUPERCEDED BY 5-641204-3 | TIN | 3.588 | 91.14 | 23 | 5-641204-3 | TIN-LEAD | 3.588 | 91.14 | 23 | 2-641204-3- |
| 15 | SUPERCEDED BY 5-641204-2 | TIN | 3.432 | 87.17 | 22 | 5-641204-2 | TIN-LEAD | 3.432 | 87.17 | 22 | 2-641204-2- |
| 15 | SUPERCEDED BY 5-641204-1 | TIN | 3.276 | 83.21 | 21 | 5-641204-1 | TIN-LEAD | 3.276 | 83.21 | 21 | 2-641204-1- |
| 15 | SUPERCEDED BY 5-641204-0 | TIN | 3.120 | 79.25 | 20 | 5-641204-0 | TIN-LEAD | 3.120 | 79.25 | 20 | 2-641204-0- |
| 15 | SUPERCEDED BY 4-641204-9 | TIN | 2.964 | 75.29 | 19 | 4-641204-9 | TIN-LEAD | 2.964 | 75.29 | 19 | 1-641204-9- |
| 15 | SUPERCEDED BY 4-641204-8 | TIN | 2.808 | 71.32 | 18 | 4-641204-8 | TIN-LEAD | 2.808 | 71.32 | 18 | 1-641204-8- |
| 15 | SUPERCEDED BY 4-641204-7 | TIN | 2.652 | 67.36 | 17 | 4-641204-7 | TIN-LEAD | 2.652 | 67.36 | 17 | 1-641204-7- |
| 15 | SUPERCEDED BY 4-641204-6 | TIN | 2.496 | 63.40 | 16 | 4-641204-6 | TIN-LEAD | 2.496 | 63.40 | 16 | 1-641204-6- |
| 15 | SUPERCEDED BY 4-641204-5 | TIN | 2.340 | 59.44 | 15 | 4-641204-5 | TIN-LEAD | 2.340 | 59.44 | 15 | 1-641204-5- |
| 15 | SUPERCEDED BY 4-641204-4 | TIN | 2.184 | 55.47 | 14 | 4-641204-4 | TIN-LEAD | 2.184 | 55.47 | 14 | 1-641204-4- |
| 15 | SUPERCEDED BY 4-641204-3 | TIN | 2.028 | 51.51 | 13 | 4-641204-3 | TIN-LEAD | 2.028 | 51.51 | 13 | 1-641204-3- |
| 15 | SUPERCEDED BY 4-641204-2 | TIN | 1.872 | 47.55 | 12 | 4-641204-2 | TIN-LEAD | 1.872 | 47.55 | 12 | 1-641204-2- |
| 15 | SUPERCEDED BY 4-641204-1 | TIN | 1.716 | 43.59 | 11 | 4-641204-1 | TIN-LEAD | 1.716 | 43.59 | 11 | 1-641204-1- |
| 15 | SUPERCEDED BY 4-641204-0 | TIN | 1.560 | 39.62 | 10 | 4-641204-0 | TIN-LEAD | 1.560 | 39.62 | 10 | 1-641204-0- |
| 15 | SUPERCEDED BY 3-641204-9 | TIN | 1.404 | 35.66 | 9 | 3-641204-9 | TIN-LEAD | 1.404 | 35.66 | 9 | 641204-9- |
| 15 | SUPERCEDED BY 3-641204-8 | TIN | 1.248 | 31.70 | 8 | 3-641204-8 | TIN-LEAD | 1.248 | 31.70 | 8 | 641204-8- |
| 15 | SUPERCEDED BY 3-641204-7 | TIN | 1.092 | 27.74 | 7 | 3-641204-7 | TIN-LEAD | 1.092 | 27.74 | 7 | 641204-7- |
| 15 | SUPERCEDED BY 3-641204-6 | TIN | .936 | 23.77 | 6 | 3-641204-6 | TIN-LEAD | .936 | 23.77 | 6 | 641204-6- |
| 15 | SUPERCEDED BY 3-641204-5 | TIN | .780 | 19.81 | 5 | 3-641204-5 | TIN-LEAD | .780 | 19.81 | 5 | 641204-5- |
| 15 | SUPERCEDED BY 3-641204-4 | TIN | .624 | 15.85 | 4 | 3-641204-4 | TIN-LEAD | .624 | 15.85 | 4 | 641204-4- |
| 15 | SUPERCEDED BY 3-641204-3 | TIN | .468 | 11.89 | 3 | 3-641204-3 | TIN-LEAD | .468 | 11.89 | 3 | 641204-3- |
| 15 | SUPERCEDED BY 3-641204-2 | TIN | .312 | 7.92 | 2 | 3-641204-2 | TIN-LEAD | .312 | 7.92 | 2 | 641204-2- |

| | | | | | |
|--|--|--|--|---|--|
| THIS DRAWING IS A CONTROLLED DOCUMENT. | | DIN N GANNON 08DEC92 | | TE Connectivity | |
| DIMENSIONS: INCHES | | TOLERANCES UNLESS OTHERWISE SPECIFIED: | | APVD R SWING 11JAN93 | |
| 0 PLC ± - | | 1 PLC ± - | | NAME | |
| 2 PLC ± - | | 3 PLC ± .005 | | MTA-156 HEADER ASSEMBLY, PLAIN, RIGHT ANGLE, .045 SQUARE POST, .000030 GOLD | |
| 4 PLC ± - | | ANGLES ± - | | APPLICATION SPEC | |
| MATERIAL | | FINISH | | SIZE CASE CODE DRAWING NO | |
| A1 | | A1 | | 00779 C=641204 | |
| WEIGHT | | SCALE | | RESTRICTED TO | |
| - | | 5:1 | | - | |
| CUSTOMER DRAWING | | SHEET | | REV | |
| - | | 1 of 1 | | Z | |



Компания «Life Electronics» занимается поставками электронных компонентов импортного и отечественного производства от производителей и со складов крупных дистрибьюторов Европы, Америки и Азии.

С конца 2013 года компания активно расширяет линейку поставок компонентов по направлению коаксиальный кабель, кварцевые генераторы и конденсаторы (керамические, пленочные, электролитические), за счёт заключения дистрибьюторских договоров

Мы предлагаем:

- Конкурентоспособные цены и скидки постоянным клиентам.
- Специальные условия для постоянных клиентов.
- Подбор аналогов.
- Поставку компонентов в любых объемах, удовлетворяющих вашим потребностям.
- Приемлемые сроки поставки, возможна ускоренная поставка.
- Доставку товара в любую точку России и стран СНГ.
- Комплексную поставку.
- Работу по проектам и поставку образцов.
- Формирование склада под заказчика.
- Сертификаты соответствия на поставляемую продукцию (по желанию клиента).
- Тестирование поставляемой продукции.
- Поставку компонентов, требующих военную и космическую приемку.
- Входной контроль качества.
- Наличие сертификата ISO.

В составе нашей компании организован Конструкторский отдел, призванный помогать разработчикам, и инженерам.

Конструкторский отдел помогает осуществить:

- Регистрацию проекта у производителя компонентов.
- Техническую поддержку проекта.
- Защиту от снятия компонента с производства.
- Оценку стоимости проекта по компонентам.
- Изготовление тестовой платы монтаж и пусконаладочные работы.



Тел: +7 (812) 336 43 04 (многоканальный)

Email: org@lifeelectronics.ru