



# STAC3932F

## RF power transistors HF/VHF/UHF N-channel MOSFETs

Preliminary data

### Features

- Excellent thermal stability
- Common source push-pull configuration
- POUT = 580 W typ. with 24.6 dB gain @ 123 MHz
- In compliance with the 2002/95/EC European directive

### Description

The STAC3932F is a N-channel MOS field-effect RF power transistor. It is intended for use in 100 V DC large signal applications up to 250 MHz.



Figure 1. Pin connection

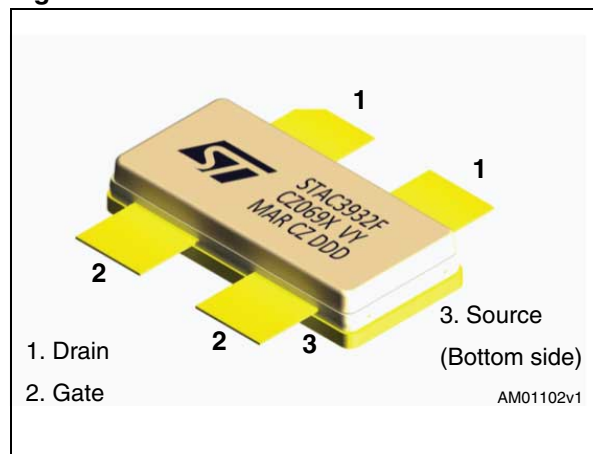


Table 1. Device summary

Order code	Marking	Package	Packaging
STAC3932F	STAC3932F	STAC244F	Plastic tray

# Contents

<b>1</b>	<b>Electrical data</b> .....	<b>3</b>
1.1	Maximum ratings .....	3
1.2	Thermal data .....	3
<b>2</b>	<b>Electrical characteristics</b> .....	<b>4</b>
2.1	Static .....	4
2.2	Dynamic .....	4
<b>3</b>	<b>Impedances</b> .....	<b>5</b>
<b>4</b>	<b>Electrical schematic and BOM</b> .....	<b>6</b>
<b>5</b>	<b>Circuit layout</b> .....	<b>8</b>
<b>6</b>	<b>Typical performance</b> .....	<b>9</b>
<b>7</b>	<b>Package mechanical data</b> .....	<b>12</b>
<b>8</b>	<b>Revision history</b> .....	<b>14</b>

# 1 Electrical data

## 1.1 Maximum ratings

**Table 2. Absolute maximum ratings ( $T_{CASE} = 25\text{ °C}$ )**

Symbol	Parameter	Value	Unit
$V_{(BR)DSS}^{(1)}$	Drain source voltage	250	V
$V_{DGR}$	Drain-gate voltage ( $R_{GS} = 1\text{ M}\Omega$ )	250	V
$V_{GS}$	Gate-source voltage	$\pm 20$	V
$I_D$	Drain current	20	A
$P_{DISS}$	Power dissipation	625	W
$T_J$	Max. operating junction temperature	200	$^{\circ}\text{C}$
$T_{STG}$	Storage temperature	-65 to +150	$^{\circ}\text{C}$

1.  $T_J = 150\text{ °C}$

## 1.2 Thermal data

**Table 3. Thermal data**

Symbol	Parameter	Value	Unit
$R_{thJC}$	Junction - case thermal resistance	0.28	$^{\circ}\text{C/W}$

## 2 Electrical characteristics

( $T_{CASE} = 25\text{ }^{\circ}\text{C}$ )

### 2.1 Static

**Table 4. Static (per side)**

Symbol	Test conditions		Min.	Typ.	Max.	Unit
$V_{(BR)DSS}^{(1)}$	$V_{GS} = 0\text{ V}$	$I_{DS} = 100\text{ mA}$	250			V
$I_{DSS}$	$V_{GS} = 0\text{ V}$	$V_{DS} = 100\text{ V}$			1	mA
$I_{GSS}$	$V_{GS} = 20\text{ V}$	$V_{DS} = 0\text{ V}$			250	nA
$V_{TH}$	$V_{DS} = 10\text{ V}$	$I_D = 250\text{ mA}$	2.0		4.0	V
$V_{DS(ON)}$	$V_{GS} = 10\text{ V}$	$I_D = 5\text{ A}$		2.5	3.5	V
$G_{FS}$	$V_{DS} = 10\text{ V}$	$I_D = 2.5\text{ A}$	3.0		5.0	S
$C_{ISS}$	$V_{GS} = 0\text{ V}$	$V_{DS} = 100\text{ V}$		492		pF
$C_{OSS}$	$V_{GS} = 0\text{ V}$	$V_{DS} = 100\text{ V}$		134		pF
$C_{RSS}$	$V_{GS} = 0\text{ V}$	$V_{DS} = 100\text{ V}$		5.2		pF

1.  $T_J = 150\text{ }^{\circ}\text{C}$

### 2.2 Dynamic

**Table 5. CW**

Symbol	Test conditions	Min.	Typ.	Max.	Unit
$P_{OUT}$	$V_{DD} = 100\text{ V}$ , $I_{DQ} = 2 \times 250\text{ mA}$ , $P_{IN} = 2\text{ W}$ , $f = 123\text{ MHz}$	450	580		W
$h_D$	$V_{DD} = 100\text{ V}$ , $I_{DQ} = 2 \times 250\text{ mA}$ , $P_{IN} = 2\text{ W}$ , $f = 123\text{ MHz}$		70		%

**Table 6. Pulse / 1 mec -- 10 %**

Symbol	Test conditions	Min.	Typ.	Max.	Unit
$P_{OUT}$	$V_{DD} = 100\text{ V}$ , $I_{DQ} = 2 \times 250\text{ mA}$ , $P_{IN} = 8\text{ W}$ , $f = 123\text{ MHz}$		900		W
$h_D$	$V_{DD} = 100\text{ V}$ , $I_{DQ} = 2 \times 250\text{ mA}$ , $P_{IN} = 8\text{ W}$ , $f = 123\text{ MHz}$		65		%

### 3 Impedances

Figure 2. Impedance data

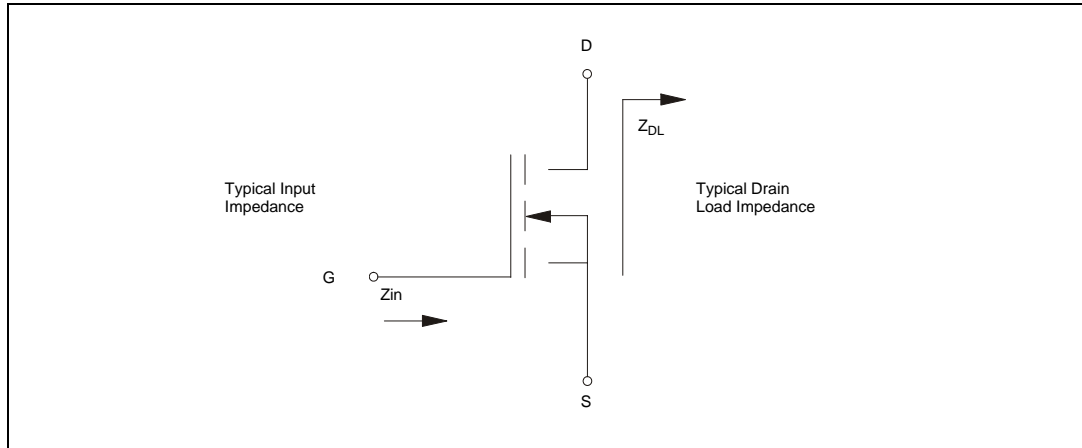


Table 7. Impedance data

Freq.	$Z_{IN}$ ( $\Omega$ )	$Z_{DL}$ ( $\Omega$ )
123 MHz (Pulse)	$1.0 - j 4.80$	$6.3 + j 10.5$
123 MHz (CW)	$0.8 - j 3.45$	$5.0 + j 13.0$
64 MHz	$1.4 - j 10.0$	$12.8 + j 14.0$

# 4 Electrical schematic and BOM

Figure 3. Electrical schematic

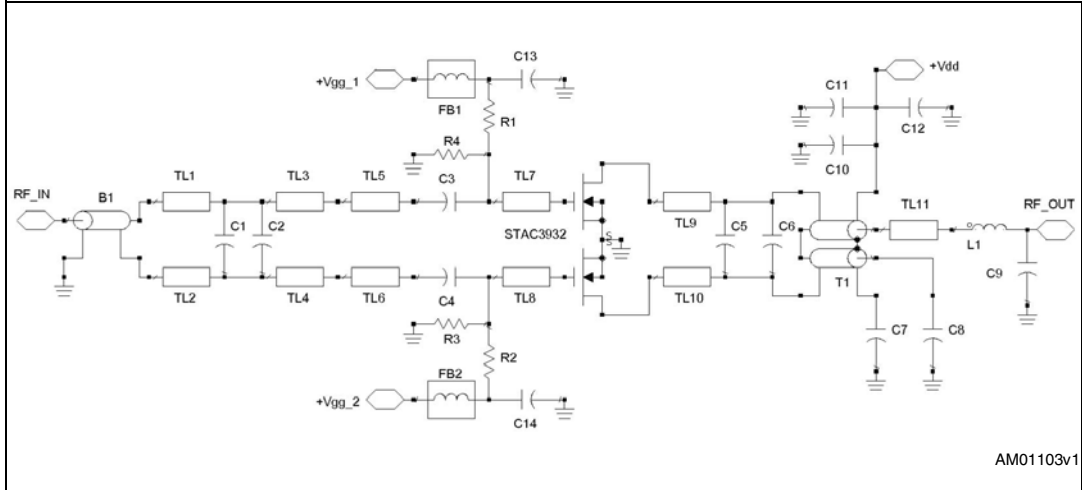


Table 8. Bill of materials

Component	Description
C1	270 pF ATC 100B chip capacitor
C2	180 pF ATC 100B chip capacitor
C3, C4	750 pF ATC 700B chip capacitor
C5, C8	43 pF ATC 100B chip capacitor
C6	20 pF ATC 100B chip capacitor
C7	1000 pF ATC 100C chip capacitor
C9	5.6 pF ATC 100B chip capacitor
C10	2200 pF ATC 100C chip capacitor
C11	470 pF ATC 100B chip capacitor
C12	100 μF, 200 V electrolytic capacitor
C13, C14	1200 pF ATC 700B chip capacitor
R1, R2	15 Ω 1/4 watt chip resistor
R3, R4	30 Ω 1/4 watt axial lead resistor
L1	3 turns, 16 ga magnet wire, Id 3/8", .165" turn spacing, 78 nH
FB1, FB2	ferrite bead, Fair-Rite # 2743019447
B1	1/4λ balun transformer, RG316-25Ω, 16.5"
T1	20 ga teflon coated wire thru 4 copper tubes OD 1/8"x 1.5"
TL1, TL2	0.740" x 0.200" microstrip
TL3, TL4	0.360" x 0.200" microstrip

**Table 8. Bill of materials (continued)**

<b>Component</b>	<b>Description</b>
TL5, TL6	0.480" x 0.350" microstrip
TL7, TL8	0.220" x 0.350" microstrip
TL9, TL10	0.350" x 0.660" microstrip
TL11	0.415" x 0.200" microstrip
Board	0.062" FR-4

## 5 Circuit layout

Figure 4. Circuit layout

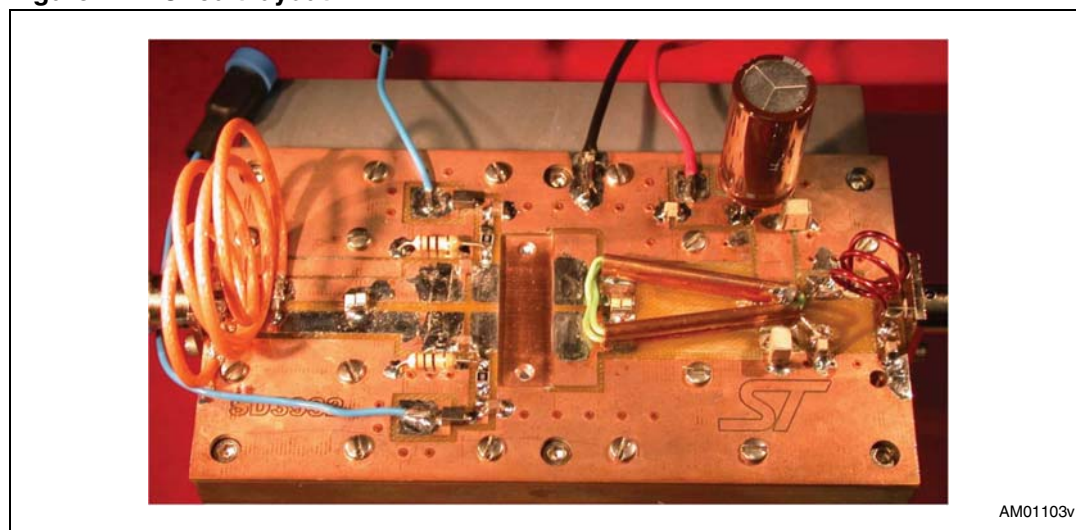
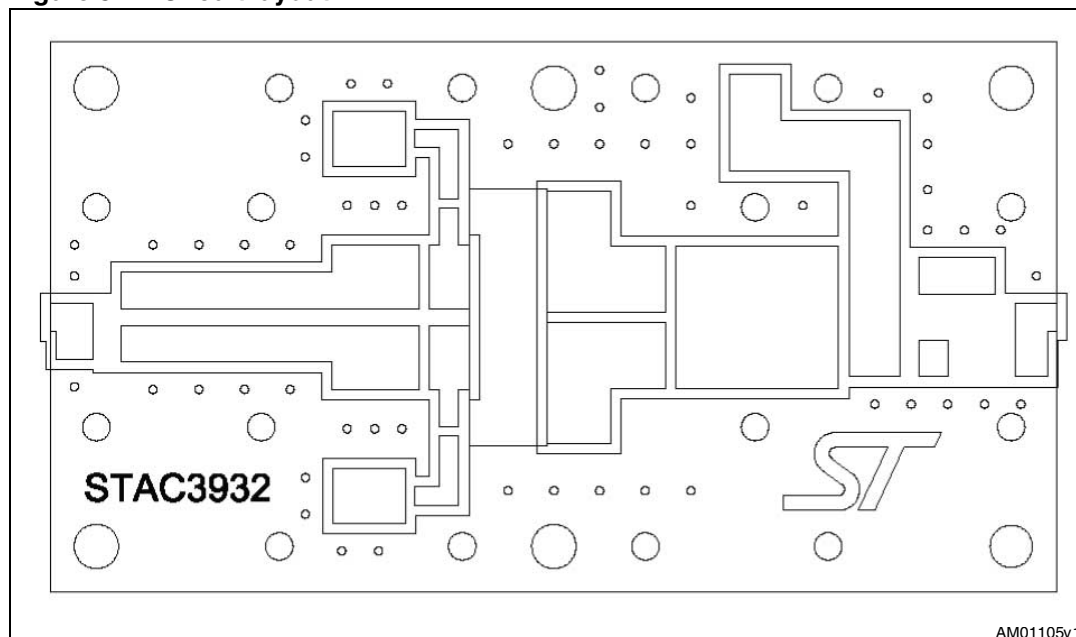


Figure 5. Circuit layout





## 6 Typical performance

Figure 6. Capacitances vs drain supply voltage

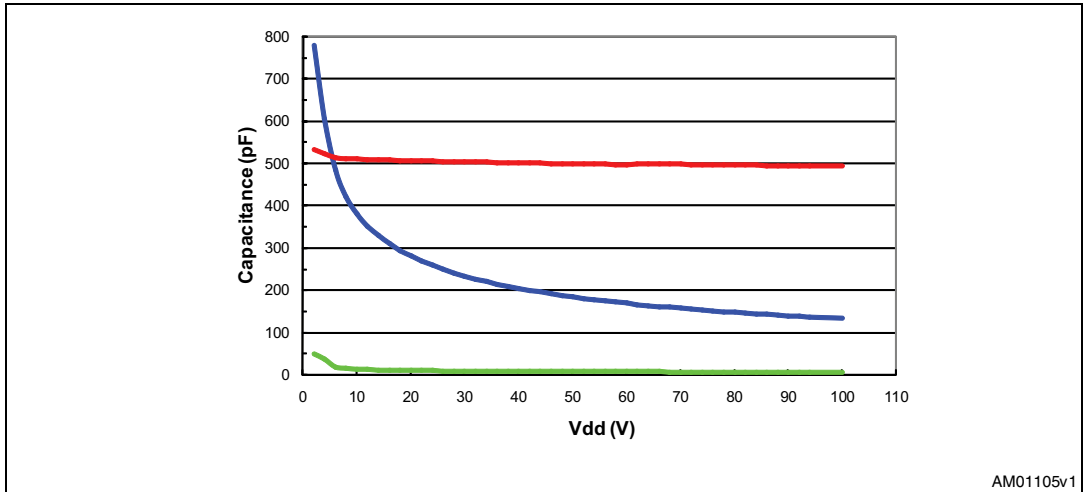


Figure 7. Maximum safe operating area

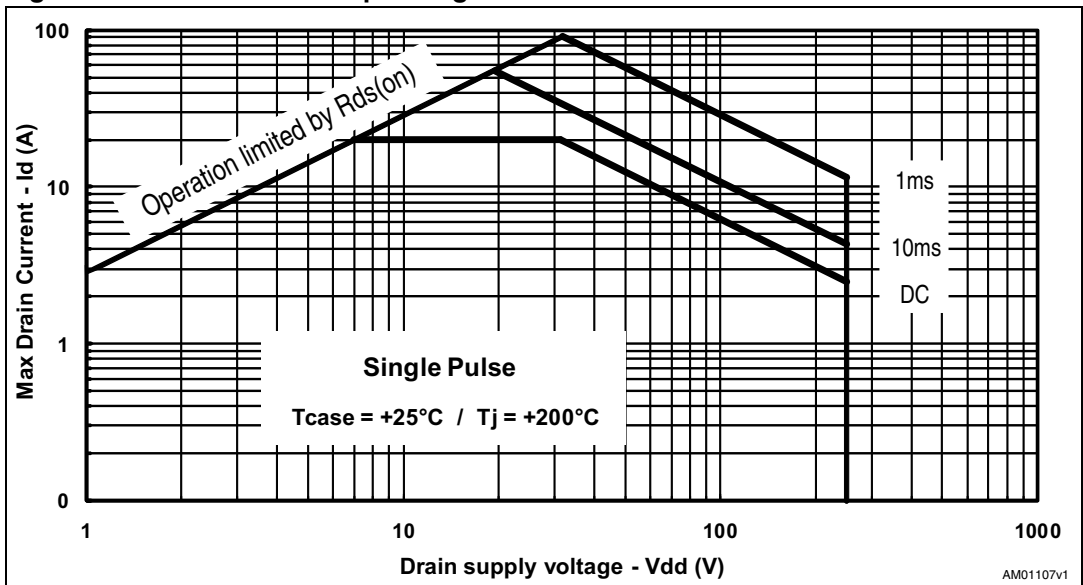


Figure 8. Transient thermal impedance

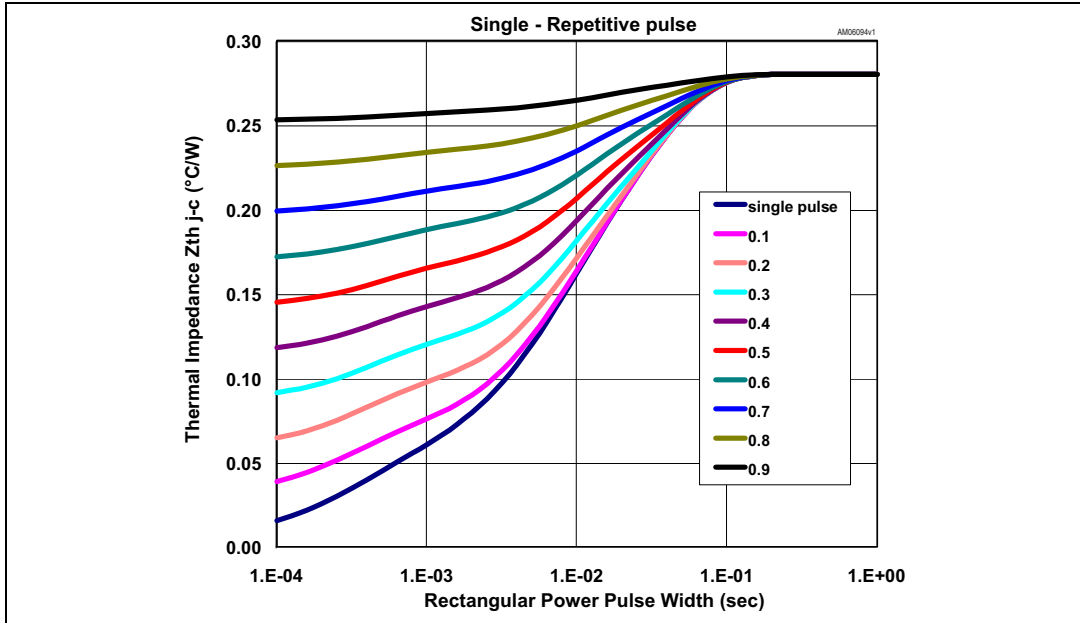


Figure 9. Transient thermal model

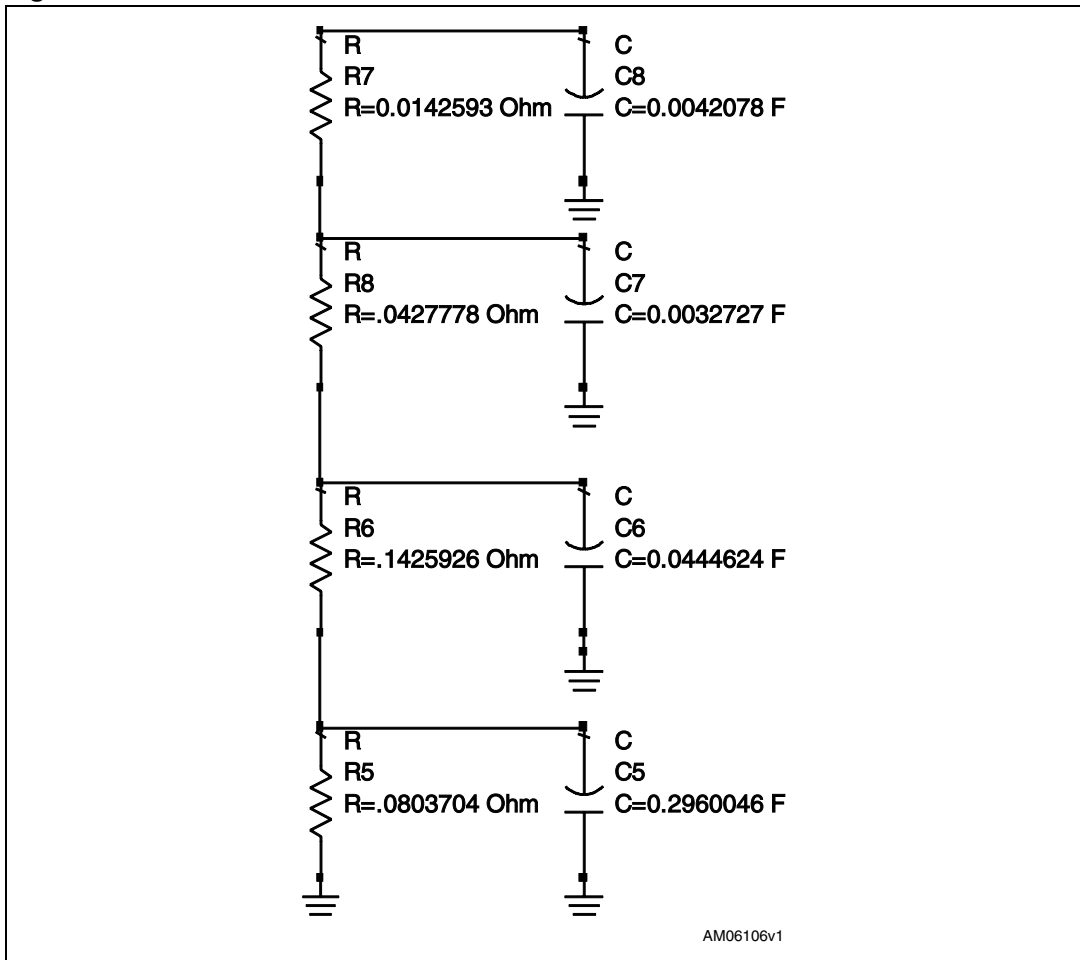
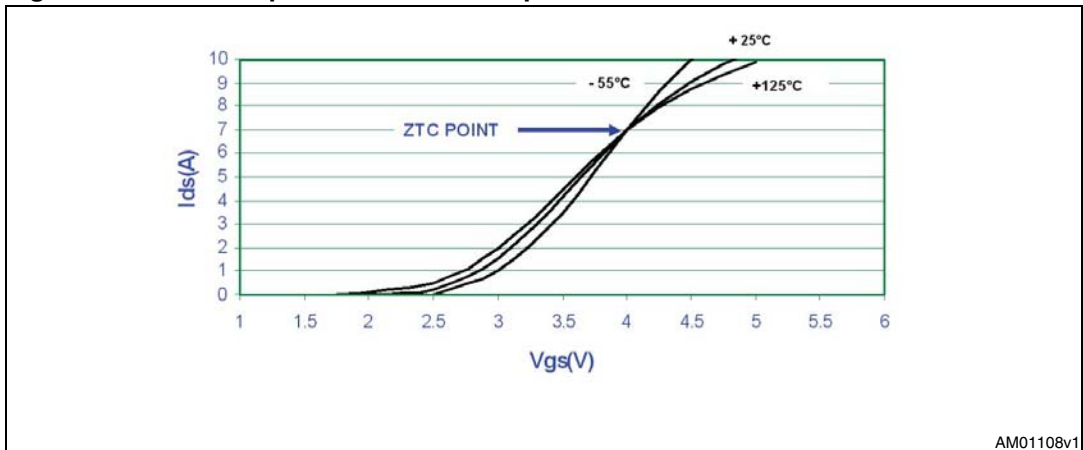
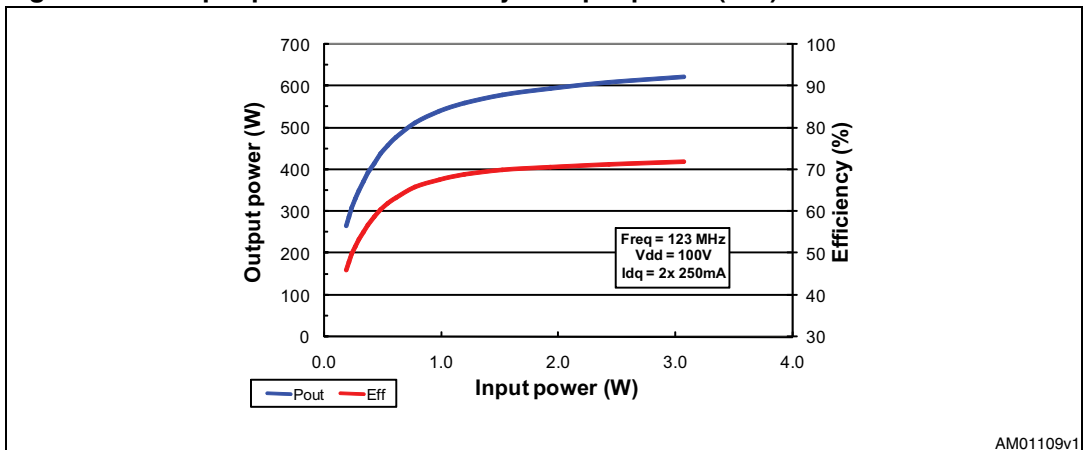


Figure 10. Zero temperature coefficient point



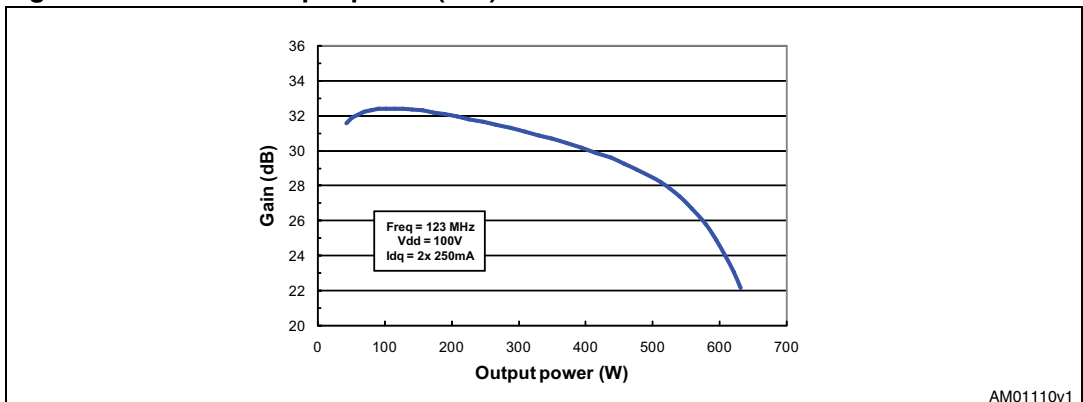
AM01108v1

Figure 11. Output power and efficiency vs input power (CW)



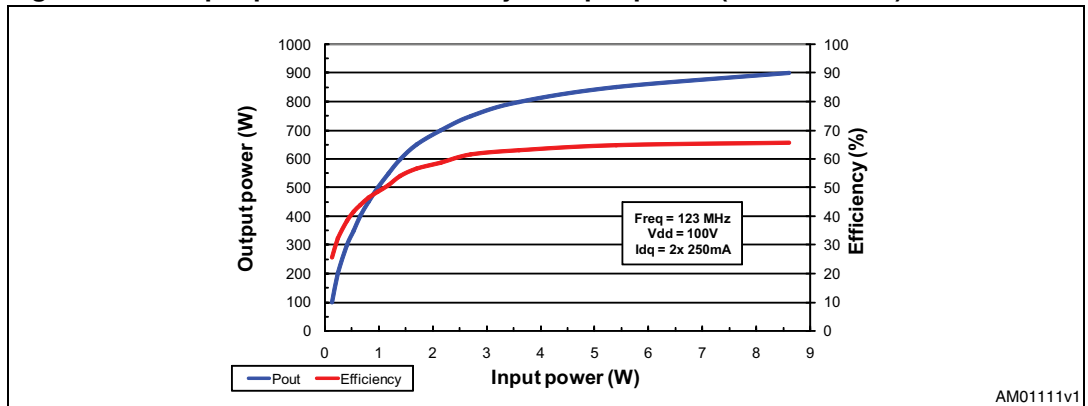
AM01109v1

Figure 12. Gain vs output power (CW)



AM01110v1

Figure 13. Output power and efficiency vs input power (1 msec - 10%)



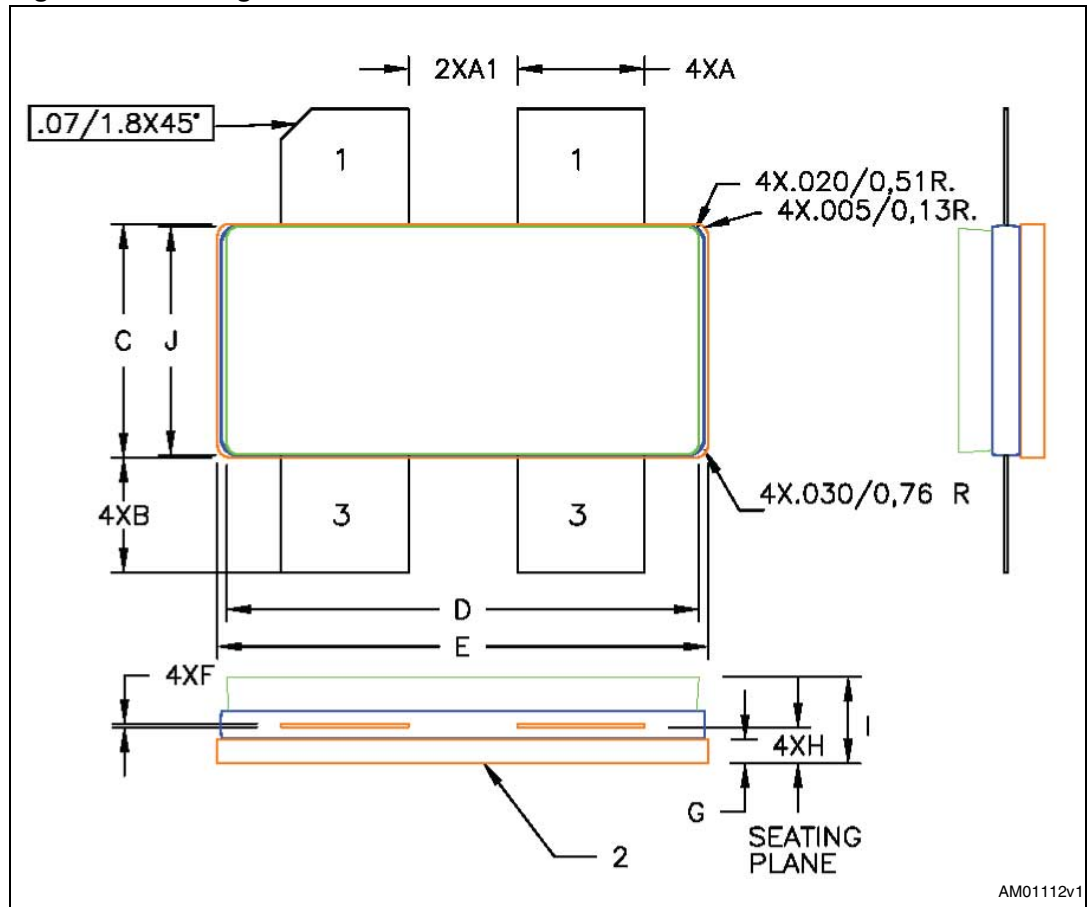
## 7 Package mechanical data

In order to meet environmental requirements, ST offers these devices in different grades of ECOPACK<sup>®</sup> packages, depending on their level of environmental compliance. ECOPACK<sup>®</sup> specifications, grade definitions and product status are available at: [www.st.com](http://www.st.com). ECOPACK is an ST trademark.

**Table 9. STAC244F package dimensions**

Dim.	mm.		Inch	
	Min	Max	Min	Max
A	5.10	5.59	200	220
A1	4.32	4.83	170	190
B	4.32	5.33	170	210
C	9.65	9.91	380	390
D	19.61	20.02	772	788
E	20.45	20.70	805	815
F	0.08	1.15	0.003	0.006
G	0.89	1.14	0.035	0.045
H	1.45	1.70	0.057	0.067
I	3.18	4.32	0.125	0.170
J	9.27	9.53	0.365	0.375

Figure 14. Package dimensions



AM01112v1

## 8 Revision history

**Table 10. Document revision history**

Date	Revision	Changes
24-Mar-2009	1	First release.
12-Feb-2010	2	<i>Table 1</i> (packaging) modified <i>Figure 1</i> modified.
18-Feb-2010	3	Updated description on cover page.
16-Mar-2010	4	Updated <i>Figure 7: Maximum safe operating area</i> . Added <i>Figure 8: Transient thermal impedance</i> . and <i>Figure 9: Transient thermal model</i> .

**Please Read Carefully:**

Information in this document is provided solely in connection with ST products. STMicroelectronics NV and its subsidiaries ("ST") reserve the right to make changes, corrections, modifications or improvements, to this document, and the products and services described herein at any time, without notice.

All ST products are sold pursuant to ST's terms and conditions of sale.

Purchasers are solely responsible for the choice, selection and use of the ST products and services described herein, and ST assumes no liability whatsoever relating to the choice, selection or use of the ST products and services described herein.

No license, express or implied, by estoppel or otherwise, to any intellectual property rights is granted under this document. If any part of this document refers to any third party products or services it shall not be deemed a license grant by ST for the use of such third party products or services, or any intellectual property contained therein or considered as a warranty covering the use in any manner whatsoever of such third party products or services or any intellectual property contained therein.

**UNLESS OTHERWISE SET FORTH IN ST'S TERMS AND CONDITIONS OF SALE ST DISCLAIMS ANY EXPRESS OR IMPLIED WARRANTY WITH RESPECT TO THE USE AND/OR SALE OF ST PRODUCTS INCLUDING WITHOUT LIMITATION IMPLIED WARRANTIES OF MERCHANTABILITY, FITNESS FOR A PARTICULAR PURPOSE (AND THEIR EQUIVALENTS UNDER THE LAWS OF ANY JURISDICTION), OR INFRINGEMENT OF ANY PATENT, COPYRIGHT OR OTHER INTELLECTUAL PROPERTY RIGHT.**

**UNLESS EXPRESSLY APPROVED IN WRITING BY AN AUTHORIZED ST REPRESENTATIVE, ST PRODUCTS ARE NOT RECOMMENDED, AUTHORIZED OR WARRANTED FOR USE IN MILITARY, AIR CRAFT, SPACE, LIFE SAVING, OR LIFE SUSTAINING APPLICATIONS, NOR IN PRODUCTS OR SYSTEMS WHERE FAILURE OR MALFUNCTION MAY RESULT IN PERSONAL INJURY, DEATH, OR SEVERE PROPERTY OR ENVIRONMENTAL DAMAGE. ST PRODUCTS WHICH ARE NOT SPECIFIED AS "AUTOMOTIVE GRADE" MAY ONLY BE USED IN AUTOMOTIVE APPLICATIONS AT USER'S OWN RISK.**

Resale of ST products with provisions different from the statements and/or technical features set forth in this document shall immediately void any warranty granted by ST for the ST product or service described herein and shall not create or extend in any manner whatsoever, any liability of ST.

ST and the ST logo are trademarks or registered trademarks of ST in various countries.

Information in this document supersedes and replaces all information previously supplied.

The ST logo is a registered trademark of STMicroelectronics. All other names are the property of their respective owners.

© 2010 STMicroelectronics - All rights reserved

STMicroelectronics group of companies

Australia - Belgium - Brazil - Canada - China - Czech Republic - Finland - France - Germany - Hong Kong - India - Israel - Italy - Japan - Malaysia - Malta - Morocco - Philippines - Singapore - Spain - Sweden - Switzerland - United Kingdom - United States of America

[www.st.com](http://www.st.com)



Компания «Life Electronics» занимается поставками электронных компонентов импортного и отечественного производства от производителей и со складов крупных дистрибьюторов Европы, Америки и Азии.

С конца 2013 года компания активно расширяет линейку поставок компонентов по направлению коаксиальный кабель, кварцевые генераторы и конденсаторы (керамические, пленочные, электролитические), за счёт заключения дистрибьюторских договоров

Мы предлагаем:

- Конкуренспособные цены и скидки постоянным клиентам.
- Специальные условия для постоянных клиентов.
- Подбор аналогов.
- Поставку компонентов в любых объемах, удовлетворяющих вашим потребностям.
- Приемлемые сроки поставки, возможна ускоренная поставка.
- Доставку товара в любую точку России и стран СНГ.
- Комплексную поставку.
- Работу по проектам и поставку образцов.
- Формирование склада под заказчика.
- Сертификаты соответствия на поставляемую продукцию (по желанию клиента).
- Тестирование поставляемой продукции.
- Поставку компонентов, требующих военную и космическую приемку.
- Входной контроль качества.
- Наличие сертификата ISO.

В составе нашей компании организован Конструкторский отдел, призванный помогать разработчикам, и инженерам.

Конструкторский отдел помогает осуществить:

- Регистрацию проекта у производителя компонентов.
- Техническую поддержку проекта.
- Защиту от снятия компонента с производства.
- Оценку стоимости проекта по компонентам.
- Изготовление тестовой платы монтаж и пусконаладочные работы.



Тел: +7 (812) 336 43 04 (многоканальный)

Email: [org@lifeelectronics.ru](mailto:org@lifeelectronics.ru)