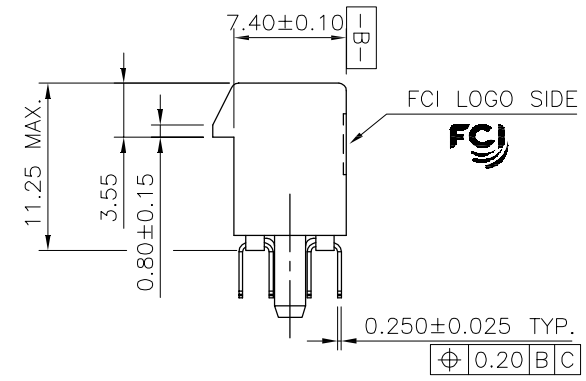
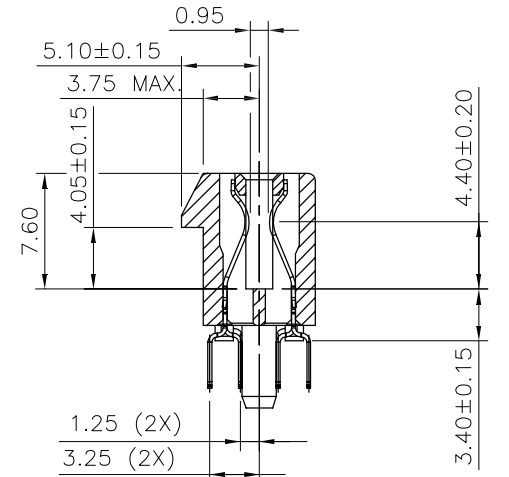
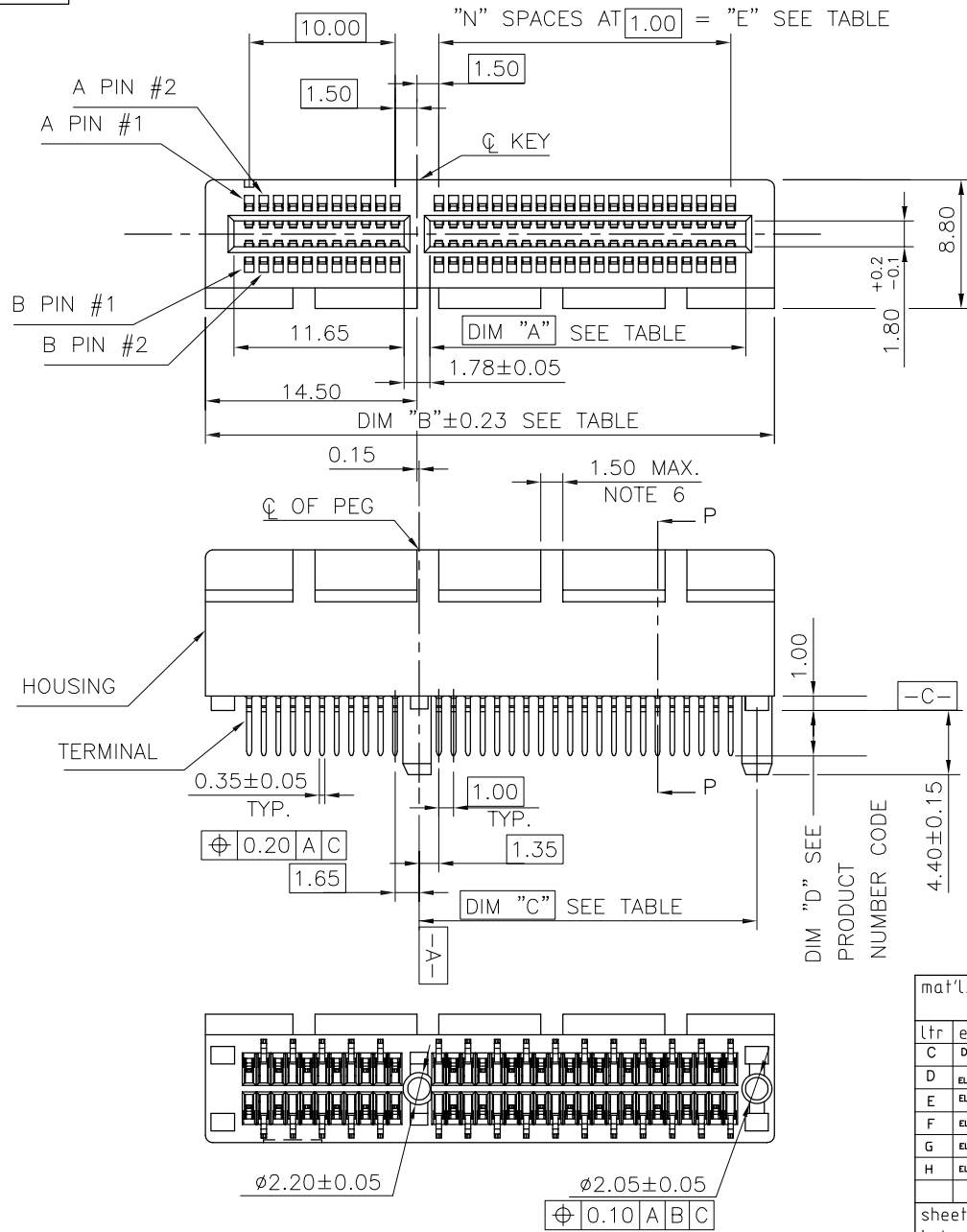


PRODUCT NO.  
10108777-X0XXXX



TWIN PLASTIC PEG TYPE

|             |  |                |  |            |  |            |  |                            |  |
|-------------|--|----------------|--|------------|--|------------|--|----------------------------|--|
| mat'l. code |  | surface        |  | tolerance  |  | projection |  | product family             |  |
| -           |  | -              |  | ASME_Y14.5 |  | MM         |  | PCI_EXPRESS                |  |
| lfr         |  | ecn no         |  | dr         |  | date       |  | title                      |  |
| C           |  | DG-011582      |  | HT         |  | 5/10/12    |  | PCI_EXPRESS_CARD_EDGE_GEN3 |  |
| D           |  | ELX-DG-013209  |  | WL         |  | 07/24/12   |  | TH_ASS'Y                   |  |
| E           |  | ELX-DG-2181-1  |  | ST         |  | 05/27/15   |  | dwg no                     |  |
| F           |  | ELX-DG-24164   |  | ZH         |  | 05/30/16   |  | sheet 1 of 7               |  |
| G           |  | ELX-DG-25671   |  | ZH         |  | 12/18/16   |  | size                       |  |
| H           |  | ELX-DG-27937   |  | ZH         |  | 09/12/17   |  | 10108777                   |  |
| sheet index |  | revision sheet |  | H          |  |            |  | Amphenol FCI               |  |
|             |  |                |  |            |  |            |  | type                       |  |
|             |  |                |  |            |  |            |  | CUSTOMER Drawing           |  |

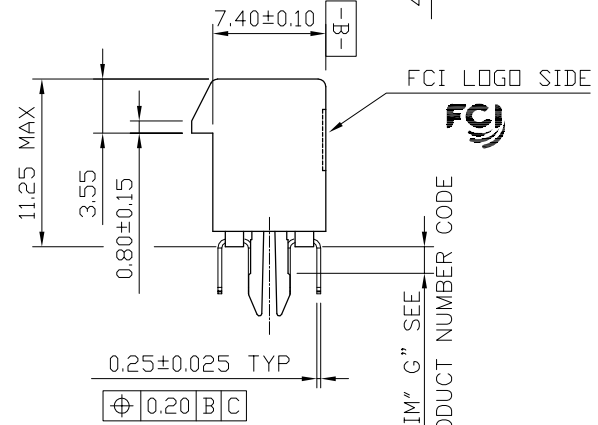
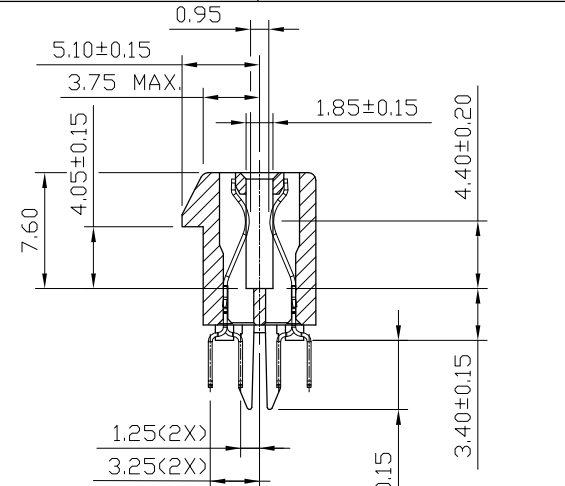
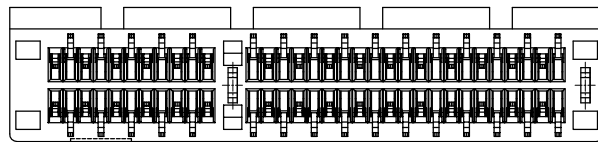
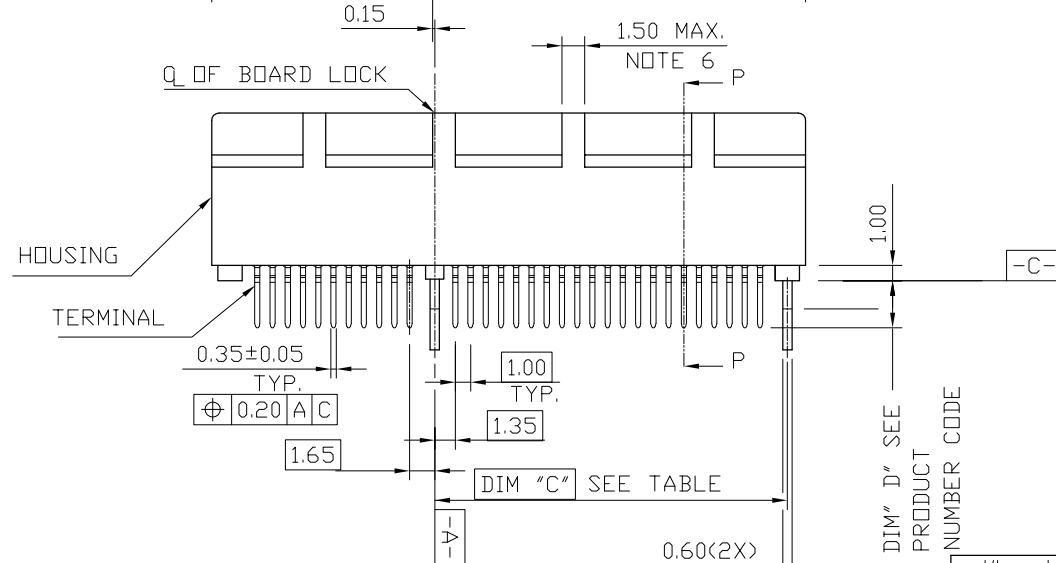
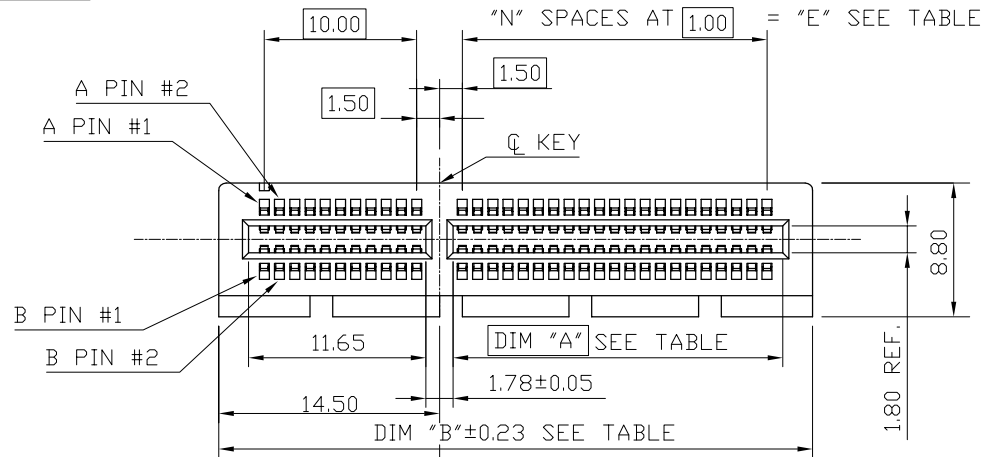
PRODUCT NO.  
10108777-X2XXXX



SINGLE PLASTIC PEG TYPE

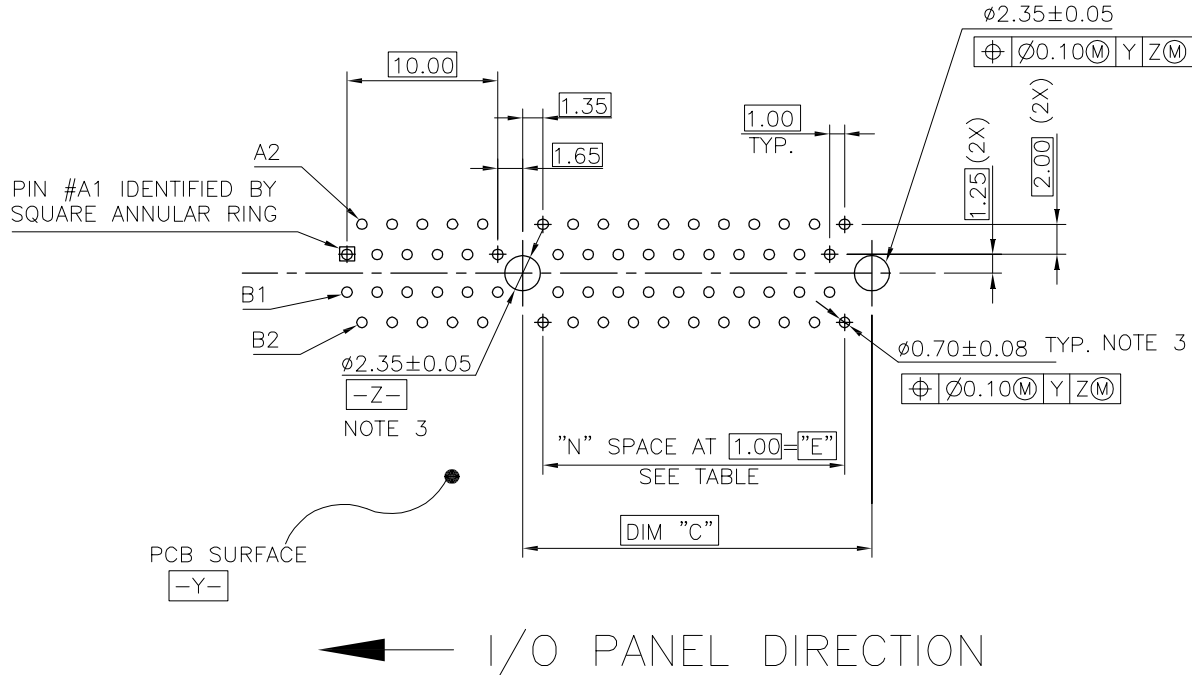
|             |  |                |  |            |  |            |  |                            |  |
|-------------|--|----------------|--|------------|--|------------|--|----------------------------|--|
| mat'l. code |  | surface        |  | tolerance  |  | projection |  | product family             |  |
| -           |  | -              |  | ASME_Y14.5 |  |            |  | PCI_EXPRESS                |  |
| lfr         |  | ecn no         |  | dr         |  | date       |  | title                      |  |
|             |  |                |  |            |  |            |  | PCI_EXPRESS_CARD_EDGE_GEN3 |  |
|             |  |                |  |            |  |            |  | TH_ASS'Y                   |  |
|             |  |                |  |            |  |            |  | dwg no                     |  |
|             |  |                |  |            |  |            |  | 10108777                   |  |
|             |  |                |  |            |  |            |  | sheet 2 of 7               |  |
|             |  |                |  |            |  |            |  | size                       |  |
|             |  |                |  |            |  |            |  | A4                         |  |
|             |  |                |  |            |  |            |  | type                       |  |
|             |  |                |  |            |  |            |  | CUSTOMER Drawing           |  |
| sheet index |  | revision sheet |  | H          |  |            |  |                            |  |

PRODUCT NO.  
10108777-X1XXXX



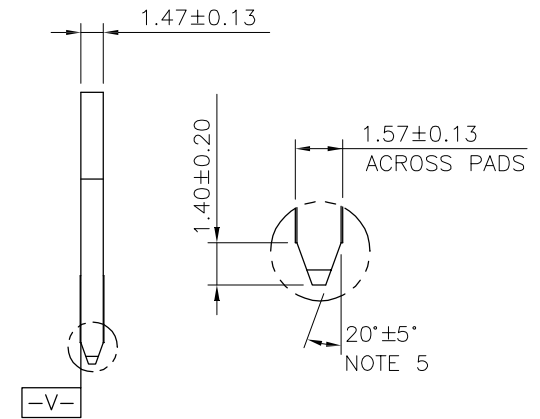
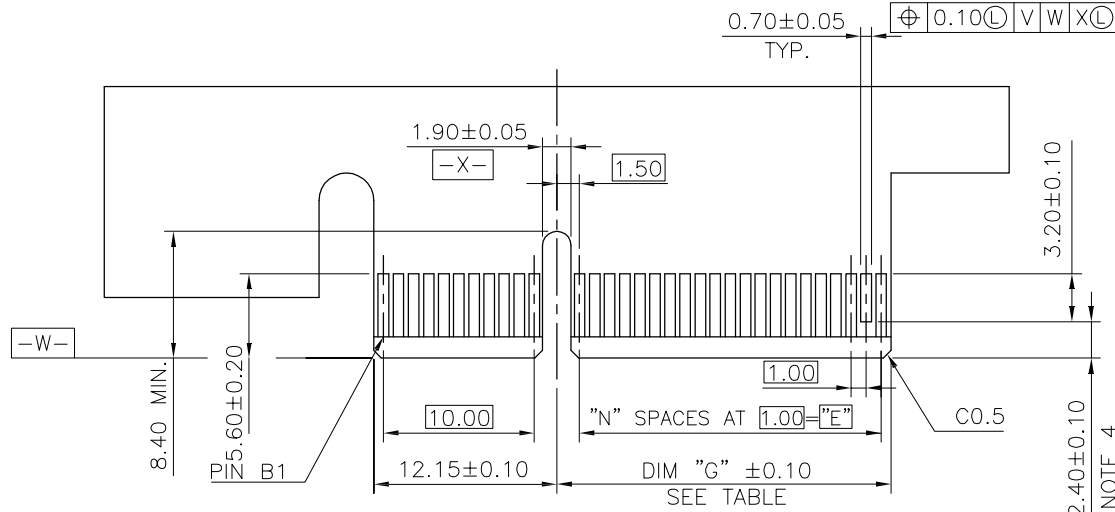
METAL BOARD LOCKS

| mat'l. code | surface | tolerance  | projection | product family             |
|-------------|---------|------------|------------|----------------------------|
| -           | -       | ASME_Y14.5 |            | PCI_EXPRESS                |
| ltr         | ecn no  | dr         | date       | title                      |
|             |         |            |            | PCI_EXPRESS_CARD_EDGE_GEN3 |
|             |         |            |            | TH_ASS'Y                   |
|             |         |            |            | dwg no                     |
|             |         |            |            | sheet 3 of 7               |
|             |         |            |            | size                       |
|             |         |            |            | A4                         |
|             |         |            |            | type                       |
|             |         |            |            | CUSTOMER Drawing           |



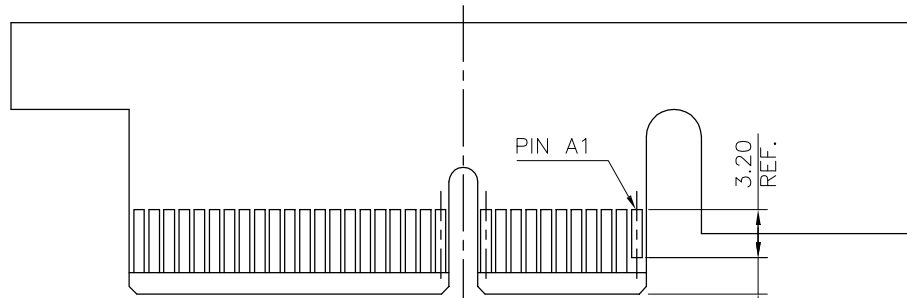
RECOMMENDED FOOTPRINT

|             |  |                |  |         |  |            |  |            |  |                            |  |
|-------------|--|----------------|--|---------|--|------------|--|------------|--|----------------------------|--|
| mat'l. code |  |                |  | surface |  | tolerance  |  | projection |  | product family             |  |
| -           |  |                |  | -       |  | ASME_Y14.5 |  |            |  | PCI_EXPRESS                |  |
| lfr         |  |                |  | ecn no  |  | dr         |  | date       |  | title                      |  |
|             |  |                |  |         |  |            |  |            |  | PCI_EXPRESS_CARD_EDGE_GEN3 |  |
|             |  |                |  |         |  |            |  |            |  | TH_ASS'Y                   |  |
|             |  |                |  |         |  |            |  |            |  | sheet 4 of 7               |  |
|             |  |                |  |         |  |            |  |            |  | size                       |  |
|             |  |                |  |         |  |            |  |            |  | A4                         |  |
|             |  |                |  |         |  |            |  |            |  | type                       |  |
|             |  |                |  |         |  |            |  |            |  | CUSTOMER Drawing           |  |
| sheet index |  | revision sheet |  | H       |  |            |  |            |  |                            |  |



SCALE 2:1

← I/O PANEL DIRECTION  
PRIMARY (COMPONENT) SIDE



I/O PANEL DIRECTION →  
SECONDARY (SOLDER) SIDE

PIN "F" SEE TABLE 2.40±0.10 NOTE 4

PIN "F" SEE TABLE 2.40±0.10 NOTE 4

| #   | POS REF. | N  | DIM "G" | "F" |
|-----|----------|----|---------|-----|
| 36  |          | 6  | 8.15    | B17 |
| 64  |          | 20 | 22.15   | B31 |
| 98  |          | 37 | 39.15   | B48 |
| 164 |          | 70 | 72.15   | B81 |

ADD-IN CARD EDGE-FINGER DIMENSIONS

|             |  |                |  |            |  |            |  |                                       |  |
|-------------|--|----------------|--|------------|--|------------|--|---------------------------------------|--|
| mat'l. code |  | surface        |  | tolerance  |  | projection |  | product family                        |  |
| -           |  | -              |  | ASME_Y14.5 |  | ⊕          |  | PCI_EXPRESS                           |  |
| lfr         |  | ecn no         |  | dr         |  | date       |  | tolerances unless otherwise specified |  |
|             |  |                |  |            |  |            |  | title                                 |  |
|             |  |                |  |            |  |            |  | PCI_EXPRESS_CARD_EDGE_GEN3            |  |
|             |  |                |  |            |  |            |  | TH_ASS'Y                              |  |
|             |  |                |  |            |  |            |  | scale N/A                             |  |
|             |  |                |  |            |  |            |  | dwg no                                |  |
|             |  |                |  |            |  |            |  | sheet 5 of 7                          |  |
|             |  |                |  |            |  |            |  | size                                  |  |
|             |  |                |  |            |  |            |  | A4                                    |  |
|             |  |                |  |            |  |            |  | type                                  |  |
|             |  |                |  |            |  |            |  | CUSTOMER Drawing                      |  |
| sheet index |  | revision sheet |  | H          |  |            |  |                                       |  |

NOTES:

1.MATERIAL:

HOUSING: HIGH TEMPERATURE NYLON, GLASS FILLED UL94V-0 RATED.  
TERMINAL: COPPER ALLOY.

PLATING: 50u" NICKEL UNDERPLATE ALL OVER  
CONTACT AREA PLATING - SEE PRODUCT NUMBER CODE  
SOLDER TAIL: TIN OR TIN /LEAD(90/10)- SEE PRODUCT NUMBER CODE 100u" MIN. OVER 50u" NICKEL.

METAL BOARD LOCKS: COPPER ALLOY.  
FINISH: 100u" TIN OR TIN/LEAD(90/10) OVER 50u" NICKEL  
UNDERPLATE SEE PRODUCT NUMBER CODE.

2.PRODUCT SPECIFICATION: GS-12-233.

③THE HORIZONTAL AXIS FOR THE HOLE PATTERN IS ESTABLISHED BY

A LINE THROUGH THE CENTER OF THE TWO Ø2.35 HOLES.  
THE VERTICAL AXIS IS 90° TO THE HORIZONTAL AXIS, THROUGH THE CENTER OF DATUM Z.

④NO TIE BAR PERMITTED FROM CARD EDGE TO LEADING EDGE OF PAD FOR PINS A1 AND PIN NUMBERS "F".

⑤CHAMFER EDGES MUST BE FREE OF CUTTING BURRS.

⑥FREQUENCY & LOCATION AT SUPPLIER DISCRETION. RIDGE MAY BE CONTINUOUS WITH NO BREAKS.

7.RoHS COMPATIBLE PRODUCT SPECIFICATIONS:

a - PLATING:

- "LF" MEANS THE PRODUCT IS LEAD-FREE, 2um MINIMUM MATTE TIN OVER 1.27um MINIMUM NICKEL UNDERPLATE.

b - MANUFACTURING PROCESS COMPATIBILITY:

- THE HOUSING WILL WITHSTAND EXPOSURE TO 260°C±5°C TEMPERATURE FOR 10 SECONDS IN RE-FLOW APPLICATION, SEE NOTE 8 FOR APPLICATION.

PRODUCT NUMBER CODE

10108777 -X X X X X X □ □

HOUSING COLOR OPTIONS

- 0-NATURAL
- 1-BLACK

PEGS OPTIONS

- 0-PLASTIC PEGS, DIM
- 1-METAL BOARD LOCKS
- 2-SINGLE PLASTIC PEGS

TERMINAL PLATING OPTIONS

- 0-50u" Ni UNDERPLATE  
30u" Au CONTACT AREA  
100u" TIN TAIL AREA ----- COMPATIBLE RoHS
- 1-50u" Ni UNDERPLATE  
15u" Au CONTACT AREA  
100u" TIN TAIL AREA ----- COMPATIBLE RoHS
- 2-50u" Ni UNDERPLATE  
GOLD FLASH CONTACT AREA  
100u" TIN TAIL AREA ----- COMPATIBLE RoHS
- 3-50u" Ni UNDERPLATE  
30u" Au CONTACT AREA  
100u" TIN/LEAD TAIL AREA ---INCOMPLIANT RoHS
- 4-50u" Ni UNDERPLATE  
15u" Au CONTACT AREA  
100u" TIN/LEAD TAIL AREA ---INCOMPLIANT RoHS
- 5-50u" Ni UNDERPLATE  
GOLD FLASH CONTACT AREA  
100u" TIN/LEAD TAIL AREA ---INCOMPLIANT RoHS

LEAD FREE OPTION

LEAVE BLANK FOR TERMINAL PLATING 3.4.5  
"LF" FOR TERMINAL PLATING OPTION 0,1,2

POS OPTIONS

- 0-36
- 1-64
- 2-98
- 3-164

TAIL LENGTH OPTIONS

|   | DIM "D"                                  | PCB THICKNESS | DIM "G"   |
|---|--|---------------|-----------|
| 0 | 2.30 <sup>+0.25</sup> / <sub>-0.13</sub> | 1.56±0.10     | 1.70±0.15 |
| 1 | 3.10 <sup>+0.25</sup> / <sub>-0.13</sub> | 2.36±0.10     | 2.50±0.15 |
| 2 | 2.54±0.25                                | 1.56±0.10     | 1.70±0.15 |
| 3 | 1.90±0.25                                | 1.56±0.10     | 1.70±0.15 |
| 4 | 3.10 <sup>+0.25</sup> / <sub>-0.13</sub> | 2.0±0.10      | 1.70±0.15 |

| CONNECTOR | # POS REF. | N  | DIM "A" | DIM "B" | DIM "C" | "E"   |
|-----------|------------|----|---------|---------|---------|-------|
| 1 PORT    | 36         | 6  | 7.65    | 25.00   | 9.15    | 6.00  |
| 4 PORT    | 64         | 20 | 21.65   | 39.00   | 23.15   | 20.00 |
| 8 PORT    | 98         | 37 | 38.65   | 56.00   | 40.15   | 37.00 |
| 16 PORT   | 164        | 70 | 71.65   | 89.00   | 73.15   | 70.00 |

- 8.AN ADEQUATE PROCEDURE SET FORTH IN THE FOLLOWING ENSURE THAT THE PRODUCT RELIABILITY CAN BE ACHIEVED DURING AND AFTER PCB ASSEMBLY OPERATION.
- 8.1IF PARTIAL LOT ARE USED, THE REMAINING CONNECTORS MUST BE RESEALED AND PLACED IN SAFE STORAGE WITHIN SIX HOURS OF BAG OPENING.
- 8.2THE SAFE STORAGE CONDITION IS RECOMMENDED AT 25°C, 40%RH.
- 8.3NOT FOLLOWING THE PROCEDURE MAY CAUSE BLISTER DAMAGE DURING RE-FLOW PROCESS.
- 8.4IF BAKING IS REQUIRED, CONNECTOR SHALL BE BAKED FOR 4 HOURS AT 125°C.
- 8.5REFERENCE SPECIFICATION: IPC/JEDEC J-STD-033A.

PACKAGING OPTIONS

- E-HARD TRAY WITH MYLAR FOR VACUUM PACKAGING (FOR 164P ONLY)
- T-SOFT TRAY PACKAGING
- C-SOFT TRAY PACKAGING WITH 10MM CAP
- M-SOFT TRAY PACKAGING & MYLAR TAPE. SEE FIGURE 1
- Y-HARD TRAY PACKAGING (FOR 36P,98P AND 164P ONLY)
- Z-HARD TRAY PACKAGING WITH MYLAR (FOR 36P,98P AND 164P ONLY)
- H-SMALLER HARD TRAY PACKAGING WITH 30MM CAP (323X136X17.7 FOR 164P ONLY)
- △ Q-SMALLER HARD TRAY PACKAGING (323X136X17.7 FOR 164P ONLY)
- R-TAPE & REEL PACKAGING WITHOUT MYLAR (FOR 34, 64, 98P ONLY)
- W-TAPE & REEL PACKAGING WITHOUT MYLAR (FOR 98P ONLY), WITH 18.0MM CAVITY WIDTH
- A-TAPE & REEL PACKAGING WITH MYLAR (FOR 36, 64, 98P ONLY)

|             |  |          |  |            |  |            |  |                            |  |
|-------------|--|----------|--|------------|--|------------|--|----------------------------|--|
| mat'l. code |  | surface  |  | tolerance  |  | projection |  | product family             |  |
| -           |  | -        |  | ASME_Y14.5 |  |            |  | PCI_EXPRESS                |  |
| lfr         |  | ecn no   |  | dr         |  | date       |  | title                      |  |
|             |  |          |  |            |  |            |  | PCI_EXPRESS_CARD_EDGE_GEN3 |  |
|             |  |          |  |            |  |            |  | TH_ASS'Y                   |  |
|             |  |          |  |            |  |            |  | dwg no                     |  |
|             |  |          |  |            |  |            |  | sheet 6 of 7               |  |
|             |  |          |  |            |  |            |  | size                       |  |
|             |  |          |  |            |  |            |  | A4                         |  |
|             |  |          |  |            |  |            |  | type                       |  |
|             |  |          |  |            |  |            |  | CUSTOMER Drawing           |  |
| sheet       |  | revision |  | H          |  |            |  |                            |  |
| index       |  | sheet    |  |            |  |            |  |                            |  |



POSTION OF MYLAR



POSTION OF CAP <10x10>



POSTION OF 30MM CAP<30X12>

|             |                |    |      |                                       |             |            |            |                 |                                     |             |  |
|-------------|----------------|----|------|---------------------------------------|-------------|------------|------------|-----------------|-------------------------------------|-------------|--|
| mat'l. code |                | -  |      | surface                               | -           | tolerance  | ASME_Y14.5 | projection      | product family                      | PCI_EXPRESS |  |
| lfr         | ecn no         | dr | date | tolerances unless otherwise specified |             |            |            | MM              | title                               |             |  |
|             |                |    |      | angles                                | ±2'         | linear     | .02±0.30   |                 | PCI_EXPRESS_CARD_EDGE_GEN3 TH_ASS'Y |             |  |
|             |                |    |      |                                       |             |            | .00±0.20   | scale N/A       | dwg no                              |             |  |
|             |                |    |      |                                       |             |            | .000±0.10  |                 | sheet 7 of 7 size                   |             |  |
|             |                |    |      | dr                                    | ZHENHUA_LIU | 2016-03-30 |            | Amphenol<br>FCI | 10108777                            |             |  |
|             |                |    |      | enfr                                  | ZHENHUA_LIU | 2016-03-30 |            |                 | A4                                  |             |  |
|             |                |    |      | chr                                   | STONE_LI    | 2016-03-30 |            |                 | type                                |             |  |
|             |                |    |      | appd                                  | PM_ZHENG    | 2016-03-30 |            |                 | CUSTOMER Drawing                    |             |  |
| sheet index | revision sheet | H  |      |                                       |             |            |            |                 |                                     |             |  |

Компания «Life Electronics» занимается поставками электронных компонентов импортного и отечественного производства от производителей и со складов крупных дистрибьюторов Европы, Америки и Азии.

С конца 2013 года компания активно расширяет линейку поставок компонентов по направлению коаксиальный кабель, кварцевые генераторы и конденсаторы (керамические, пленочные, электролитические), за счёт заключения дистрибьюторских договоров

Мы предлагаем:

- Конкурентоспособные цены и скидки постоянным клиентам.
- Специальные условия для постоянных клиентов.
- Подбор аналогов.
- Поставку компонентов в любых объемах, удовлетворяющих вашим потребностям.
- Приемлемые сроки поставки, возможна ускоренная поставка.
- Доставку товара в любую точку России и стран СНГ.
- Комплексную поставку.
- Работу по проектам и поставку образцов.
- Формирование склада под заказчика.
- Сертификаты соответствия на поставляемую продукцию (по желанию клиента).
- Тестирование поставляемой продукции.
- Поставку компонентов, требующих военную и космическую приемку.
- Входной контроль качества.
- Наличие сертификата ISO.

В составе нашей компании организован Конструкторский отдел, призванный помогать разработчикам, и инженерам.

Конструкторский отдел помогает осуществить:

- Регистрацию проекта у производителя компонентов.
- Техническую поддержку проекта.
- Защиту от снятия компонента с производства.
- Оценку стоимости проекта по компонентам.
- Изготовление тестовой платы монтаж и пусконаладочные работы.



Тел: +7 (812) 336 43 04 (многоканальный)

Email: [org@lifeelectronics.ru](mailto:org@lifeelectronics.ru)