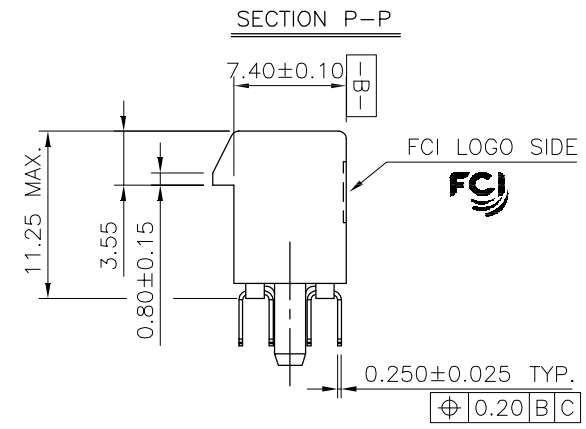
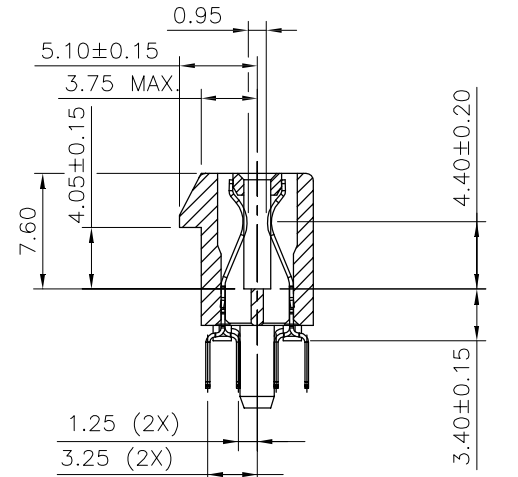
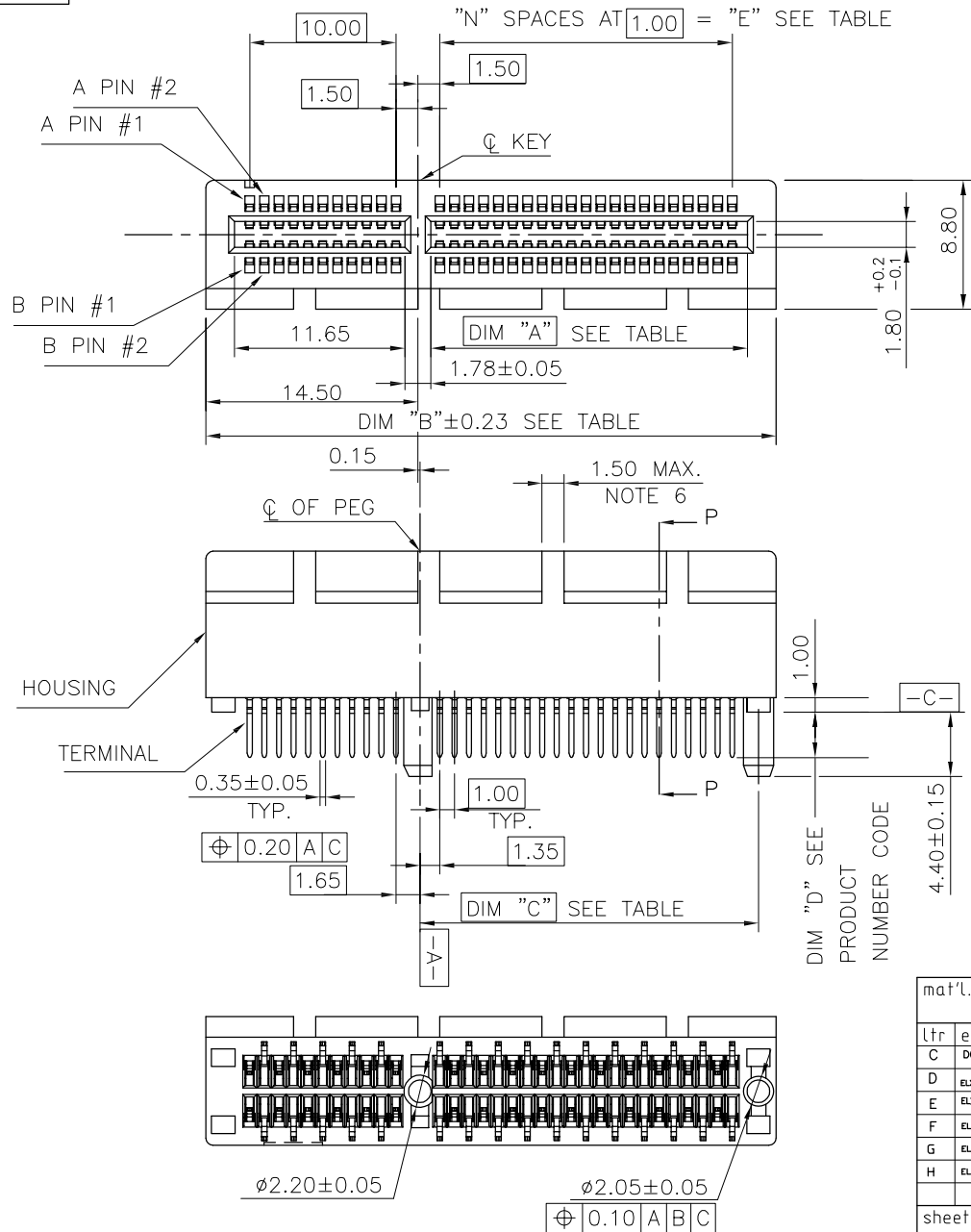


PRODUCT NO.  
10108777-X0XXXX



TWIN PLASTIC PEG TYPE

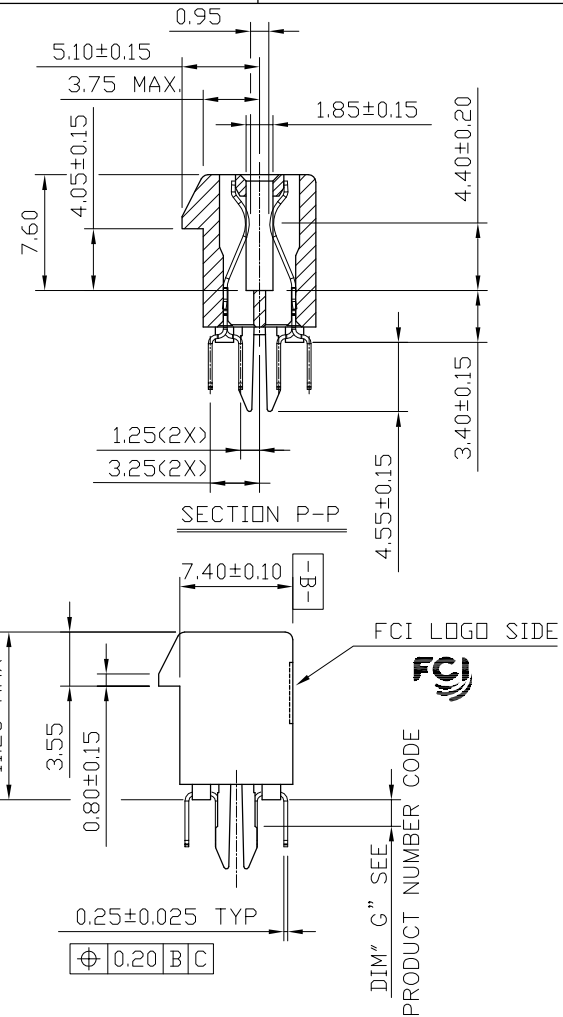
|             |  |                |  |         |  |             |  |                                       |  |                            |  |
|-------------|--|----------------|--|---------|--|-------------|--|---------------------------------------|--|----------------------------|--|
| mat'l. code |  | -              |  | surface |  | ✓ tolerance |  | projection                            |  | product family             |  |
|             |  |                |  |         |  | ASME_Y14.5  |  | ⊕                                     |  | PCI_EXPRESS                |  |
| lfr         |  | ecn no         |  | dr      |  | date        |  | tolerances unless otherwise specified |  | title                      |  |
| C           |  | DG-011582      |  | HT      |  | 5/10/12     |  |                                       |  | MM                         |  |
| D           |  | ELX-DG-013209  |  | WL      |  | 07/24/12    |  | angles                                |  | PCI_EXPRESS_CARD_EDGE_GEN3 |  |
| E           |  | ELX-DG-2181-1  |  | ST      |  | 05/27/15    |  | LineGr                                |  | TH_ASS'Y                   |  |
| F           |  | ELX-DG-24164   |  | ZH      |  | 05/30/16    |  | ±2'                                   |  | scale N/A                  |  |
| G           |  | ELX-DG-25671   |  | ZH      |  | 12/18/16    |  | dr                                    |  | dwg no                     |  |
| H           |  | ELX-DG-27937   |  | ZH      |  | 09/12/17    |  | enfr                                  |  | sheet 1 of 7               |  |
|             |  |                |  |         |  |             |  | chr                                   |  | size                       |  |
|             |  |                |  |         |  |             |  | appd                                  |  | 10108777                   |  |
|             |  |                |  |         |  |             |  | PM_ZHENG                              |  | A4                         |  |
|             |  |                |  |         |  |             |  | 2016-03-30                            |  | type                       |  |
|             |  |                |  |         |  |             |  |                                       |  | CUSTOMER Drawing           |  |
| sheet index |  | revision sheet |  | H       |  |             |  |                                       |  |                            |  |

PRODUCT NO.  
10108777-X2XXXX



**SINGLE PLASTIC PEG TYPE**

|             |  |                |  |            |  |            |  |                            |  |
|-------------|--|----------------|--|------------|--|------------|--|----------------------------|--|
| mat'l. code |  | surface        |  | tolerance  |  | projection |  | product family             |  |
| -           |  | -              |  | ASME_Y14.5 |  |            |  | PCI_EXPRESS                |  |
| lfr         |  | ecn no         |  | dr         |  | date       |  | title                      |  |
|             |  |                |  |            |  |            |  | PCI_EXPRESS_CARD_EDGE_GEN3 |  |
|             |  |                |  |            |  |            |  | TH_ASS'Y                   |  |
|             |  |                |  |            |  |            |  | dwg no                     |  |
|             |  |                |  |            |  |            |  | 10108777                   |  |
|             |  |                |  |            |  |            |  | sheet 2 of 7               |  |
|             |  |                |  |            |  |            |  | size                       |  |
|             |  |                |  |            |  |            |  | A4                         |  |
|             |  |                |  |            |  |            |  | type                       |  |
|             |  |                |  |            |  |            |  | CUSTOMER Drawing           |  |
| sheet index |  | revision sheet |  | H          |  |            |  |                            |  |



METAL BOARD LOCKS

|             |  |                |  |            |  |            |  |                            |  |
|-------------|--|----------------|--|------------|--|------------|--|----------------------------|--|
| mat'l. code |  | surface        |  | tolerance  |  | projection |  | product family             |  |
| -           |  | -              |  | ASME_Y14.5 |  | ⊕          |  | PCI_EXPRESS                |  |
| lfr         |  | ecn no         |  | dr         |  | date       |  | title                      |  |
|             |  |                |  |            |  |            |  | PCI_EXPRESS_CARD_EDGE_GEN3 |  |
|             |  |                |  |            |  |            |  | TH_ASS'Y                   |  |
|             |  |                |  |            |  |            |  | dwg no                     |  |
|             |  |                |  |            |  |            |  | sheet 3 of 7               |  |
|             |  |                |  |            |  |            |  | size                       |  |
|             |  |                |  |            |  |            |  | A4                         |  |
|             |  |                |  |            |  |            |  | type                       |  |
|             |  |                |  |            |  |            |  | CUSTOMER Drawing           |  |
| sheet index |  | revision sheet |  | H          |  |            |  |                            |  |



RECOMMENDED FOOTPRINT

|             |  |                |  |            |  |            |  |                            |  |
|-------------|--|----------------|--|------------|--|------------|--|----------------------------|--|
| mat'l. code |  | surface        |  | tolerance  |  | projection |  | product family             |  |
| -           |  | -              |  | ASME_Y14.5 |  |            |  | PCI_EXPRESS                |  |
| lfr         |  | ecn no         |  | dr         |  | date       |  | title                      |  |
|             |  |                |  |            |  |            |  | PCI_EXPRESS_CARD_EDGE_GEN3 |  |
|             |  |                |  |            |  |            |  | TH_ASS'Y                   |  |
|             |  |                |  |            |  |            |  | sheet 4 of 7               |  |
|             |  |                |  |            |  |            |  | size                       |  |
|             |  |                |  |            |  |            |  | A4                         |  |
|             |  |                |  |            |  |            |  | type                       |  |
|             |  |                |  |            |  |            |  | CUSTOMER Drawing           |  |
| sheet index |  | revision sheet |  | H          |  |            |  |                            |  |
|             |  |                |  |            |  |            |  |                            |  |



SCALE 2:1

← I/O PANEL DIRECTION  
PRIMARY (COMPONENT) SIDE



I/O PANEL DIRECTION →  
SECONDARY (SOLDER) SIDE

PIN "F" SEE TABLE 2.40±0.10 NOTE 4

PIN "F" SEE TABLE 2.40±0.10 NOTE 4

| #   | POS REF. | N  | DIM "G" | "F" |
|-----|----------|----|---------|-----|
| 36  |          | 6  | 8.15    | B17 |
| 64  |          | 20 | 22.15   | B31 |
| 98  |          | 37 | 39.15   | B48 |
| 164 |          | 70 | 72.15   | B81 |

ADD-IN CARD EDGE-FINGER DIMENSIONS

|             |  |                |  |         |  |             |  |                                       |  |            |  |              |  |                            |  |                   |  |
|-------------|--|----------------|--|---------|--|-------------|--|---------------------------------------|--|------------|--|--------------|--|----------------------------|--|-------------------|--|
| mat'l. code |  | -              |  | surface |  | - ✓         |  | tolerance                             |  | ASME_Y14.5 |  | projection   |  | product family             |  | PCI_EXPRESS       |  |
| lfr         |  | ecn no         |  | dr      |  | date        |  | tolerances unless otherwise specified |  | MM         |  | title        |  | PCI_EXPRESS_CARD_EDGE_GEN3 |  | TH_ASS'Y          |  |
|             |  |                |  |         |  |             |  | angles                                |  | .0±0.20    |  | scale N/A    |  | dwg no                     |  | sheet 5 of 7 size |  |
|             |  |                |  |         |  |             |  | ±2'                                   |  | .00±0.13   |  | Amphenol FCI |  | 10108777                   |  | A4                |  |
|             |  |                |  | dr      |  | ZHENHUA_LIU |  | 2016-03-30                            |  |            |  |              |  | type                       |  | CUSTOMER Drawing  |  |
|             |  |                |  | enfr    |  | ZHENHUA_LIU |  | 2016-03-30                            |  |            |  |              |  |                            |  |                   |  |
|             |  |                |  | chr     |  | STONE_LI    |  | 2016-03-30                            |  |            |  |              |  |                            |  |                   |  |
|             |  |                |  | appd    |  | PM_ZHENG    |  | 2016-03-30                            |  |            |  |              |  |                            |  |                   |  |
| sheet index |  | revision sheet |  | H       |  |             |  |                                       |  |            |  |              |  |                            |  |                   |  |

NOTES:

1.MATERIAL:

HOUSING: HIGH TEMPERATURE NYLON, GLASS FILLED UL94V-0 RATED.  
TERMINAL: COPPER ALLOY.

PLATING: 50u" NICKEL UNDERPLATE ALL OVER  
CONTACT AREA PLATING - SEE PRODUCT NUMBER CODE  
SOLDER TAIL: TIN OR TIN /LEAD(90/10)- SEE PRODUCT NUMBER CODE 100u" MIN. OVER 50u" NICKEL.

METAL BOARD LOCKS: COPPER ALLOY.  
FINISH: 100u" TIN OR TIN/LEAD(90/10) OVER 50u" NICKEL  
UNDERPLATE SEE PRODUCT NUMBER CODE.

2.PRODUCT SPECIFICATION: GS-12-233.

③THE HORIZONTAL AXIS FOR THE HOLE PATTERN IS ESTABLISHED BY

A LINE THROUGH THE CENTER OF THE TWO Ø2.35 HOLES.  
THE VERTICAL AXIS IS 90° TO THE HORIZONTAL AXIS, THROUGH THE CENTER OF DATUM Z.

④NO TIE BAR PERMITTED FROM CARD EDGE TO LEADING EDGE OF PAD FOR PINS A1 AND PIN NUMBERS "F".

⑤CHAMFER EDGES MUST BE FREE OF CUTTING BURRS.

⑥FREQUENCY & LOCATION AT SUPPLIER DISCRETION. RIDGE MAY BE CONTINUOUS WITH NO BREAKS.

7.RoHS COMPATIBLE PRODUCT SPECIFICATIONS:

a - PLATING:

- "LF" MEANS THE PRODUCT IS LEAD-FREE, 2um MINIMUM MATTE TIN OVER 1.27um MINIMUM NICKEL UNDERPLATE.

b - MANUFACTURING PROCESS COMPATIBILITY:

- THE HOUSING WILL WITHSTAND EXPOSURE TO 260°C±5°C TEMPERATURE FOR 10 SECONDS IN RE-FLOW APPLICATION, SEE NOTE 8 FOR APPLICATION.

PRODUCT NUMBER CODE

10108777 -X X X X X X

HOUSING COLOR OPTIONS

- 0-NATURAL
- 1-BLACK

PEGS OPTIONS

- 0-PLASTIC PEGS, DIM
- 1-METAL BOARD LOCKS
- 2-SINGLE PLASTIC PEGS

TERMINAL PLATING OPTIONS

- 0-50u" Ni UNDERPLATE  
30u" Au CONTACT AREA  
100u" TIN TAIL AREA ----- COMPATIBLE RoHS
- 1-50u" Ni UNDERPLATE  
15u" Au CONTACT AREA  
100u" TIN TAIL AREA ----- COMPATIBLE RoHS
- 2-50u" Ni UNDERPLATE  
GOLD FLASH CONTACT AREA  
100u" TIN TAIL AREA ----- COMPATIBLE RoHS
- 3-50u" Ni UNDERPLATE  
30u" Au CONTACT AREA  
100u" TIN/LEAD TAIL AREA ---INCOMPLIANT RoHS
- 4-50u" Ni UNDERPLATE  
15u" Au CONTACT AREA  
100u" TIN/LEAD TAIL AREA ---INCOMPLIANT RoHS
- 5-50u" Ni UNDERPLATE  
GOLD FLASH CONTACT AREA  
100u" TIN/LEAD TAIL AREA ---INCOMPLIANT RoHS

LEAD FREE OPTION

LEAVE BLANK FOR TERMINAL PLATING 3.4.5  
"LF" FOR TERMINAL PLATING OPTION 0,1,2

POS OPTIONS

- 0-36
- 1-64
- 2-98
- 3-164

TAIL LENGTH OPTIONS

|   | DIM "D"                                  | PCB THICKNESS | DIM "G"   |
|---|--|---------------|-----------|
| 0 | 2.30 <sup>+0.25</sup> / <sub>-0.13</sub> | 1.56±0.10     | 1.70±0.15 |
| 1 | 3.10 <sup>+0.25</sup> / <sub>-0.13</sub> | 2.36±0.10     | 2.50±0.15 |
| 2 | 2.54±0.25                                | 1.56±0.10     | 1.70±0.15 |
| 3 | 1.90±0.25                                | 1.56±0.10     | 1.70±0.15 |
| 4 | 3.10 <sup>+0.25</sup> / <sub>-0.13</sub> | 2.0±0.10      | 1.70±0.15 |

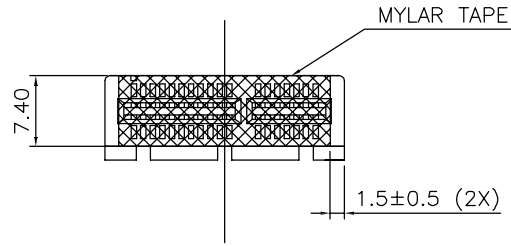
| CONNECTOR | # POS REF. | N  | DIM "A" | DIM "B" | DIM "C" | "E"   |
|-----------|------------|----|---------|---------|---------|-------|
| 1 PORT    | 36         | 6  | 7.65    | 25.00   | 9.15    | 6.00  |
| 4 PORT    | 64         | 20 | 21.65   | 39.00   | 23.15   | 20.00 |
| 8 PORT    | 98         | 37 | 38.65   | 56.00   | 40.15   | 37.00 |
| 16 PORT   | 164        | 70 | 71.65   | 89.00   | 73.15   | 70.00 |

- 8.AN ADEQUATE PROCEDURE SET FORTH IN THE FOLLOWING ENSURE THAT THE PRODUCT RELIABILITY CAN BE ACHIEVED DURING AND AFTER PCB ASSEMBLY OPERATION.
- 8.1IF PARTIAL LOT ARE USED, THE REMAINING CONNECTORS MUST BE RESEALED AND PLACED IN SAFE STORAGE WITHIN SIX HOURS OF BAG OPENING.
- 8.2THE SAFE STORAGE CONDITION IS RECOMMENDED AT 25°C, 40%RH.
- 8.3NOT FOLLOWING THE PROCEDURE MAY CAUSE BLISTER DAMAGE DURING RE-FLOW PROCESS.
- 8.4IF BAKING IS REQUIRED, CONNECTOR SHALL BE BAKED FOR 4 HOURS AT 125°C.
- 8.5REFERENCE SPECIFICATION: IPC/JEDEC J-STD-033A.

PACKAGING OPTIONS

- E-HARD TRAY WITH MYLAR FOR VACUUM PACKAGING (FOR 164P ONLY)
- T-SOFT TRAY PACKAGING
- C-SOFT TRAY PACKAGING WITH 10MM CAP
- M-SOFT TRAY PACKAGING & MYLAR TAPE. SEE FIGURE 1
- Y-HARD TRAY PACKAGING (FOR 36P,98P AND 164P ONLY)
- Z-HARD TRAY PACKAGING WITH MYLAR (FOR 36P,98P AND 164P ONLY)
- H-SMALLER HARD TRAY PACKAGING WITH 30MM CAP (323X136X17.7 FOR 164P ONLY)
- △H Q-SMALLER HARD TRAY PACKAGING (323X136X17.7 FOR 164P ONLY)
- R-TAPE & REEL PACKAGING WITHOUT MYLAR (FOR 34, 64, 98P ONLY)
- W-TAPE & REEL PACKAGING WITHOUT MYLAR (FOR 98P ONLY), WITH 18.0MM CAVITY WIDTH
- A-TAPE & REEL PACKAGING WITH MYLAR (FOR 36, 64, 98P ONLY)

|             |  |          |  |            |  |            |  |                            |  |
|-------------|--|----------|--|------------|--|------------|--|----------------------------|--|
| mat'l. code |  | surface  |  | tolerance  |  | projection |  | product family             |  |
| -           |  | -        |  | ASME_Y14.5 |  |            |  | PCI_EXPRESS                |  |
| lfr         |  | ecn no   |  | dr         |  | date       |  | title                      |  |
|             |  |          |  |            |  |            |  | PCI_EXPRESS_CARD_EDGE_GEN3 |  |
|             |  |          |  |            |  |            |  | TH_ASS'Y                   |  |
|             |  |          |  |            |  |            |  | dwg no                     |  |
|             |  |          |  |            |  |            |  | sheet 6 of 7               |  |
|             |  |          |  |            |  |            |  | size                       |  |
|             |  |          |  |            |  |            |  | A4                         |  |
|             |  |          |  |            |  |            |  | type                       |  |
|             |  |          |  |            |  |            |  | CUSTOMER Drawing           |  |
| sheet index |  | revision |  | H          |  |            |  |                            |  |
|             |  |          |  |            |  |            |  |                            |  |



POSTION OF MYLAR



POSTION OF CAP <10x10>



POSTION OF 30MM CAP<30X12>

|             |  |          |  |             |  |            |  |                            |  |
|-------------|--|----------|--|-------------|--|------------|--|----------------------------|--|
| mat'l. code |  | surface  |  | tolerance   |  | projection |  | product family             |  |
| -           |  | -        |  | ASME_Y14.5  |  |            |  | PCI_EXPRESS                |  |
| lfr         |  | ecn no   |  | dr          |  | date       |  | title                      |  |
|             |  |          |  |             |  |            |  | PCI_EXPRESS_CARD_EDGE_GEN3 |  |
|             |  |          |  | angles      |  |            |  | TH_ASS'Y                   |  |
|             |  |          |  | ±2'         |  |            |  | scale N/A                  |  |
|             |  | dr       |  | ZHENHUA_LIU |  | 2016-03-30 |  | dwg no                     |  |
|             |  | enfr     |  | ZHENHUA_LIU |  | 2016-03-30 |  | sheet 7 of 7               |  |
|             |  | chr      |  | STONE_LI    |  | 2016-03-30 |  | size                       |  |
|             |  | appd     |  | PM_ZHENG    |  | 2016-03-30 |  | A4                         |  |
| sheet       |  | revision |  | H           |  |            |  | type                       |  |
| index       |  | sheet    |  |             |  |            |  | CUSTOMER Drawing           |  |

Компания «Life Electronics» занимается поставками электронных компонентов импортного и отечественного производства от производителей и со складов крупных дистрибьюторов Европы, Америки и Азии.

С конца 2013 года компания активно расширяет линейку поставок компонентов по направлению коаксиальный кабель, кварцевые генераторы и конденсаторы (керамические, пленочные, электролитические), за счёт заключения дистрибьюторских договоров

Мы предлагаем:

- Конкурентоспособные цены и скидки постоянным клиентам.
- Специальные условия для постоянных клиентов.
- Подбор аналогов.
- Поставку компонентов в любых объемах, удовлетворяющих вашим потребностям.
- Приемлемые сроки поставки, возможна ускоренная поставка.
- Доставку товара в любую точку России и стран СНГ.
- Комплексную поставку.
- Работу по проектам и поставку образцов.
- Формирование склада под заказчика.
- Сертификаты соответствия на поставляемую продукцию (по желанию клиента).
- Тестирование поставляемой продукции.
- Поставку компонентов, требующих военную и космическую приемку.
- Входной контроль качества.
- Наличие сертификата ISO.

В составе нашей компании организован Конструкторский отдел, призванный помогать разработчикам, и инженерам.

Конструкторский отдел помогает осуществить:

- Регистрацию проекта у производителя компонентов.
- Техническую поддержку проекта.
- Защиту от снятия компонента с производства.
- Оценку стоимости проекта по компонентам.
- Изготовление тестовой платы монтаж и пусконаладочные работы.



Тел: +7 (812) 336 43 04 (многоканальный)

Email: [org@lifeelectronics.ru](mailto:org@lifeelectronics.ru)