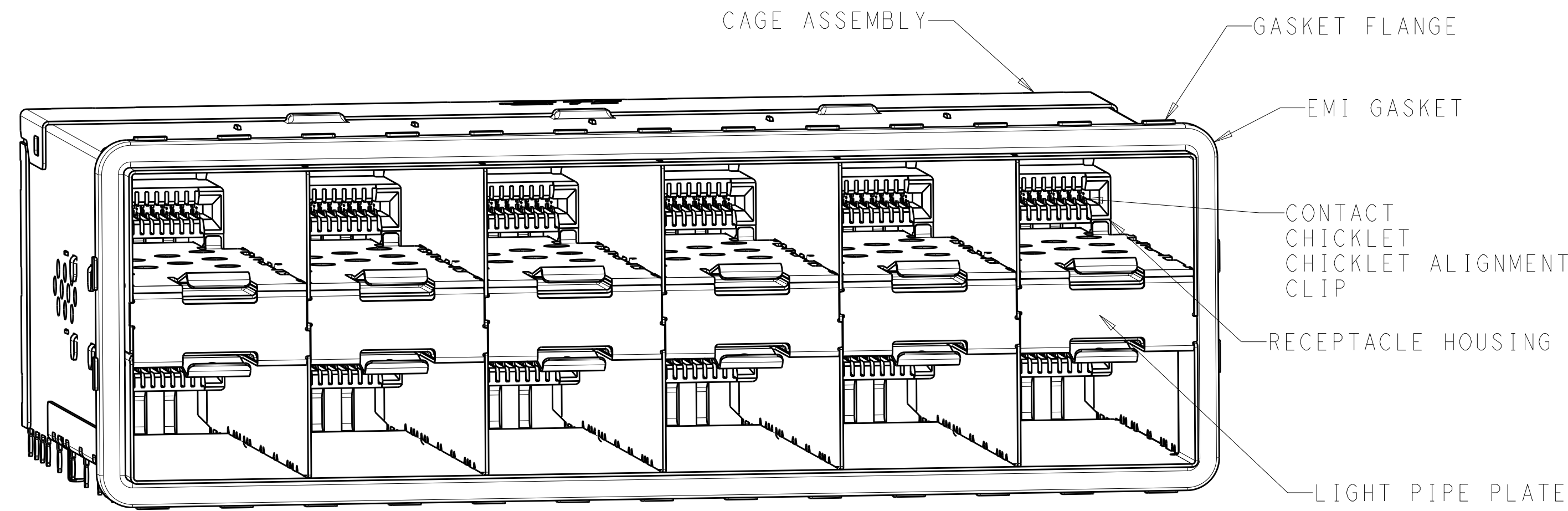


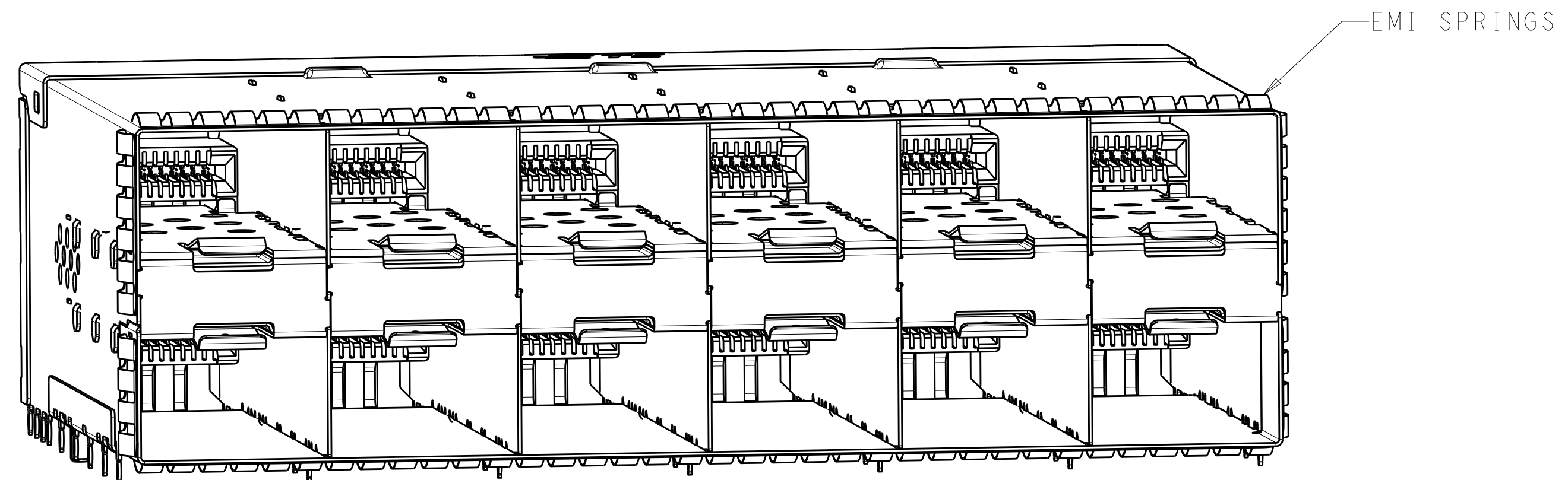
| LOC | DIST | REVISIONS | | | | | |
|-----|------|-----------|-----|--------------------|-----------|-----|------|
| GP | 00 | P | LTN | DESCRIPTION | DATE | DWN | APVD |
| | | A | | PRODUCTION RELEASE | 05JUN2019 | JW | SH |



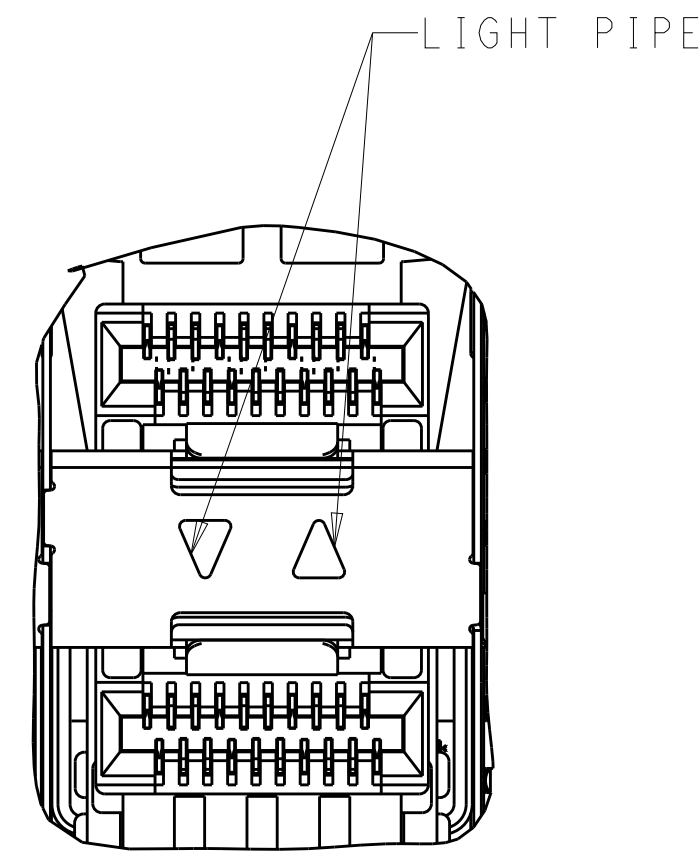
2347721-1
SCALE 3:1

1. MATERIALS:
 CAGE ASSEMBLY - NICKEL-SILVER ALLOY PER ASTM B 122
 CONNECTOR HOUSING - LCP, BLACK, UL 94V-0 RATED
 CHICKLET - LCP, BLACK, UL 94V-0 RATED
 CHICKLET ALIGNMENT CLIP - LCP, BLACK, UL 94V-0 RATED
 CONTACT - COPPER ALLOY
 EMI GASKET - ELASTOMERIC
 GASKET FLANGE - STAINLESS STEEL
 EMI SPRINGS - PHOSPHOR BRONZE PER ASTM B 103,
 0.8µm MIN TIN PER ASTM B 545
 LIGHT PIPE - POLYCARBONATE
 LIGHT PIPE PLATE - STAINLESS STEEL
2. CONTACT FINISH:
 CONFORMS TO THE REQUIREMENTS OF PRODUCT SPECIFICATION 108-2481, BASED ON EIA/ECA-364-1000.01A, (CONTROLLED ENVIRONMENT APPLICATIONS) ON MATING INTERFACE, TIN ON NEEDLE EYE
3. PCB MINIMUM THICKNESS = 1.5mm

- △ FOR HOLE SIZE AND PLATINGS, SEE APPLICATION SPECIFICATION 114-13319
- △ LIGHT PIPE PAD LAYOUT IS FOR 0805 LOW PROFILE LED PACKAGE WITH A HEIGHT OF 0.8mm
- △ DIMENSIONS APPLY FOR EMI SPRINGS ONLY
- △ THE ENTIRE AREA OF THE CONNECTOR FOOTPRINT, INDICATED BY THE DASHED LINE, TO BE CONSIDERED THE KEEP-OUT AREA FOR COMPONENTS AND SIGNAL TRACES, TOP SIDE ONLY, TOP SIDE TRACES ALLOWED WITHIN CONNECTOR HOLE PATTERN

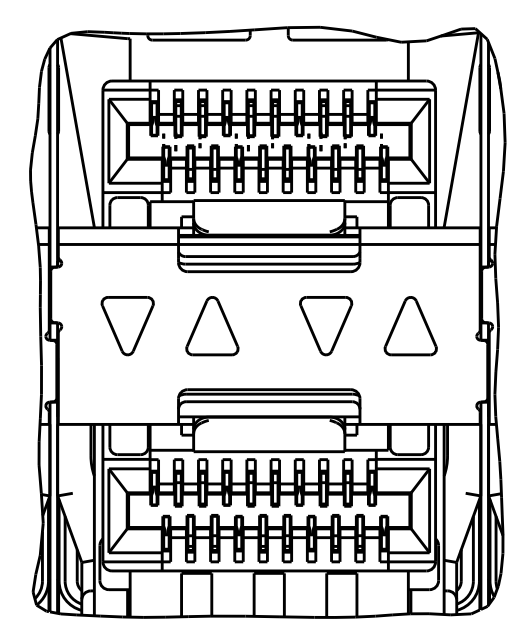


2347721-5
SCALE 3:1

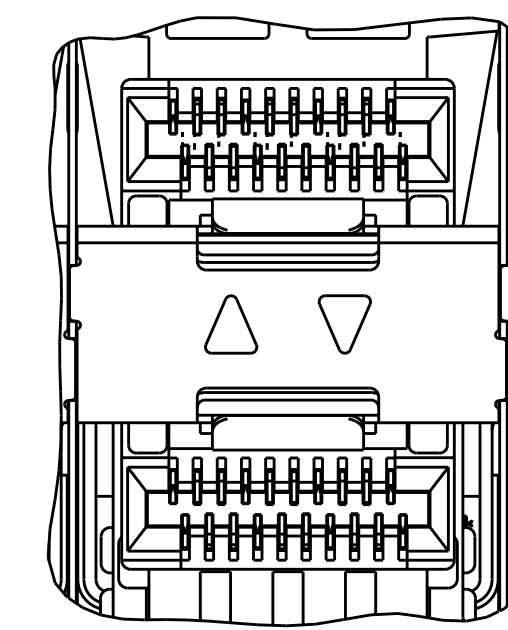


REVERSED INNER LIGHT PIPES
2-2347721-1, 1-2347721-3
SCALE 4:1

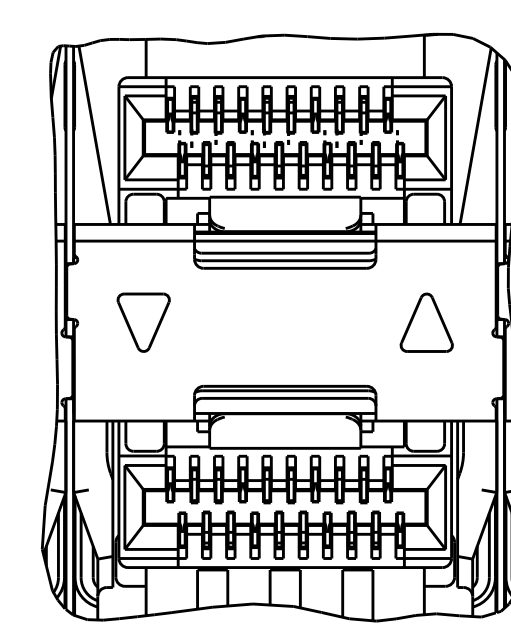
| | | | |
|-------|--------------------------------------|--------------------------|-------------|
| 88 | EMI SPRING AIRFLOW ENHANCE TYPE | NONE | 3-2347721-1 |
| 90.75 | EMI GASKET AIRFLOW ENHANCE TYPE | NONE | 3-2347721-0 |
| 88 | EMI SPRINGS | REVERSED INNER | 2-2347721-1 |
| | | REVERSED OUTER | 2-2347721-0 |
| | | CENTER/REVERSED OUTER | 1-2347721-9 |
| 90.75 | EMI GASKET | REVERSED OUTER | 1-2347721-8 |
| | | CENTER/REVERSED OUTER | 1-2347721-7 |
| 88 | EMI SPRINGS WITH NICKEL PLATING ONLY | REVERSED INNER | 1-2347721-3 |
| | | OUTER | 1-2347721-2 |
| | | INNER | 1-2347721-1 |
| | | INNER/OUTER | 1-2347721-0 |
| 88 | EMI SPRINGS | NONE | 2347721-9 |
| | | OUTER | 2347721-8 |
| | | INNER | 2347721-7 |
| | | INNER/OUTER | 2347721-6 |
| | | NONE | 2347721-5 |
| 90.75 | EMI GASKET | OUTER | 2347721-4 |
| | | INNER | 2347721-3 |
| | | INNER/OUTER | 2347721-2 |
| | | NONE | 2347721-1 |
| (E) | CAGE TYPE | LIGHT PIPE CONFIGURATION | PART NUMBER |



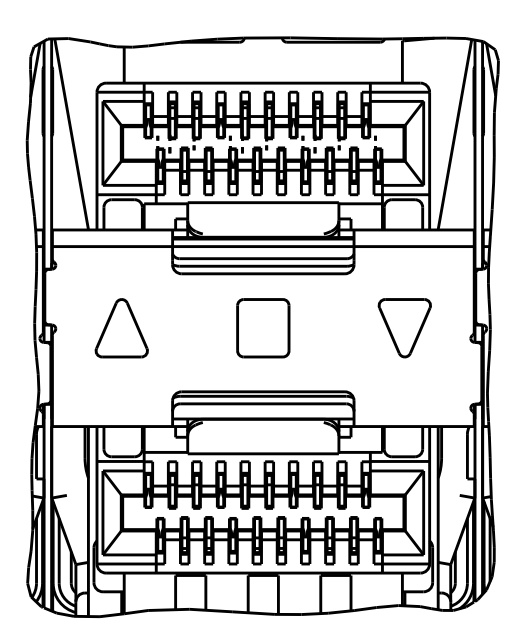
INNER/OUTER LIGHT PIPES
2347721-2, 2347721-6
SCALE 4:1



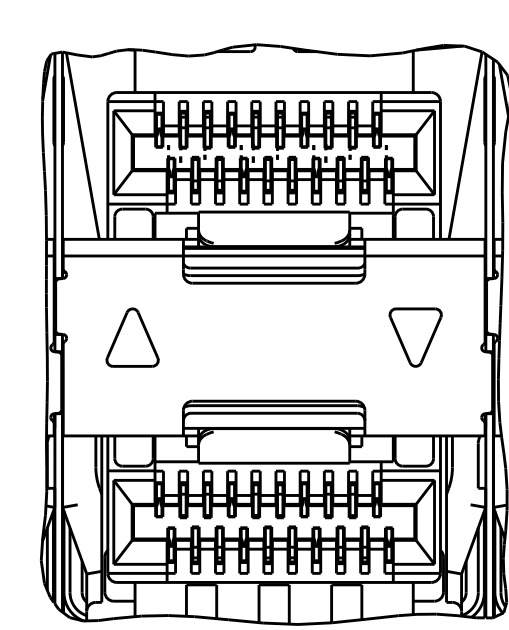
INNER LIGHT PIPES
2347721-3, 2347721-7
SCALE 4:1



OUTER LIGHT PIPES
2347721-4, 2347721-8
SCALE 4:1



CENTER/REVERSED OUTER
1-2347721-7, 1-2347721-9
SCALE 4:1



REVERSED OUTER
1-2347721-8, 2-2347721-0
SCALE 4:1

THIS DRAWING IS A CONTROLLED DOCUMENT.

DIMENSIONS: mm

TOLERANCES UNLESS OTHERWISE SPECIFIED:

| | |
|--------|-------|
| 0 PLC | ±0.25 |
| 1 PLC | ±0.25 |
| 2 PLC | ±0.25 |
| 3 PLC | ±0.25 |
| 4 PLC | ±0.25 |
| ANGLES | ±° |
| FINISH | ±µm |

MATERIAL: SEE NOTES

FINISH: SEE NOTES

CUSTOMER DRAWING

DWN: J. WANG 26FEB2019
CHK: S. HAN 26FEB2019
APVD: S. HAN 26FEB2019

NAME: RECEPTACLE ASSEMBLY, 2X6, STACKED, SFP56

PRODUCT SPEC: 108-2481

APPLICATION SPEC: 114-13319

SIZE: A1

CAGE CODE: 00779

DRAWING NO: 2347721

RESTRICTED TO: A

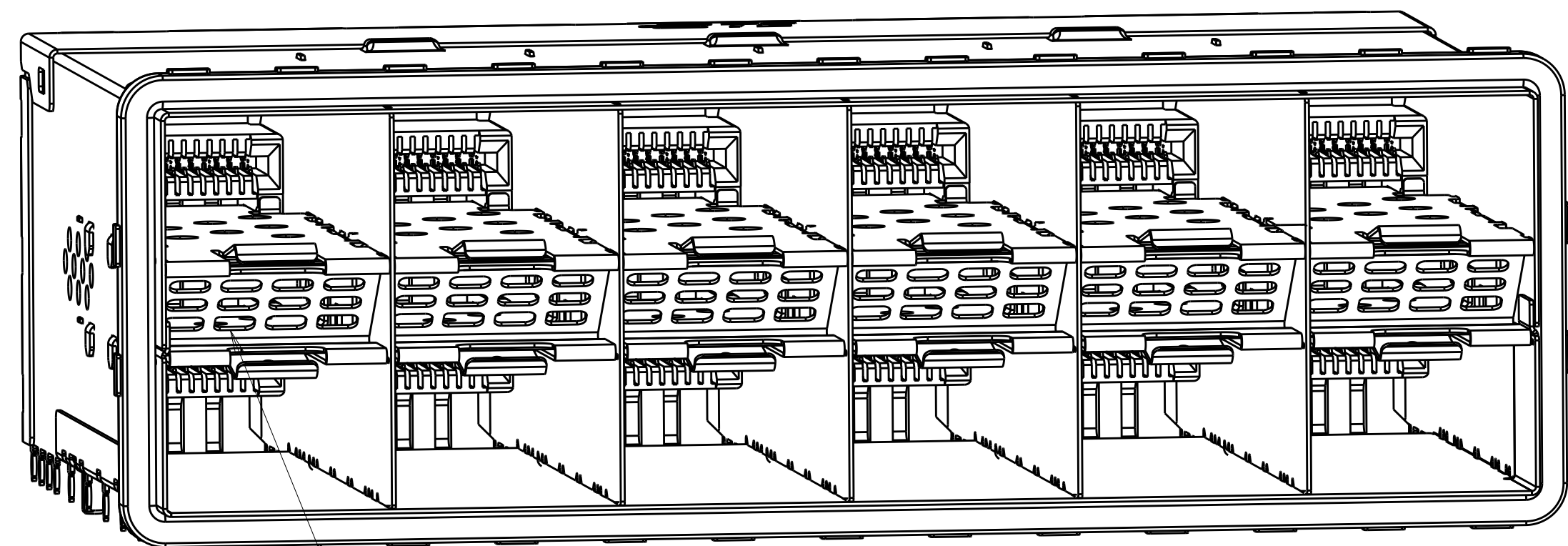
SCALE: 4:1

SHEET: 1 OF 6

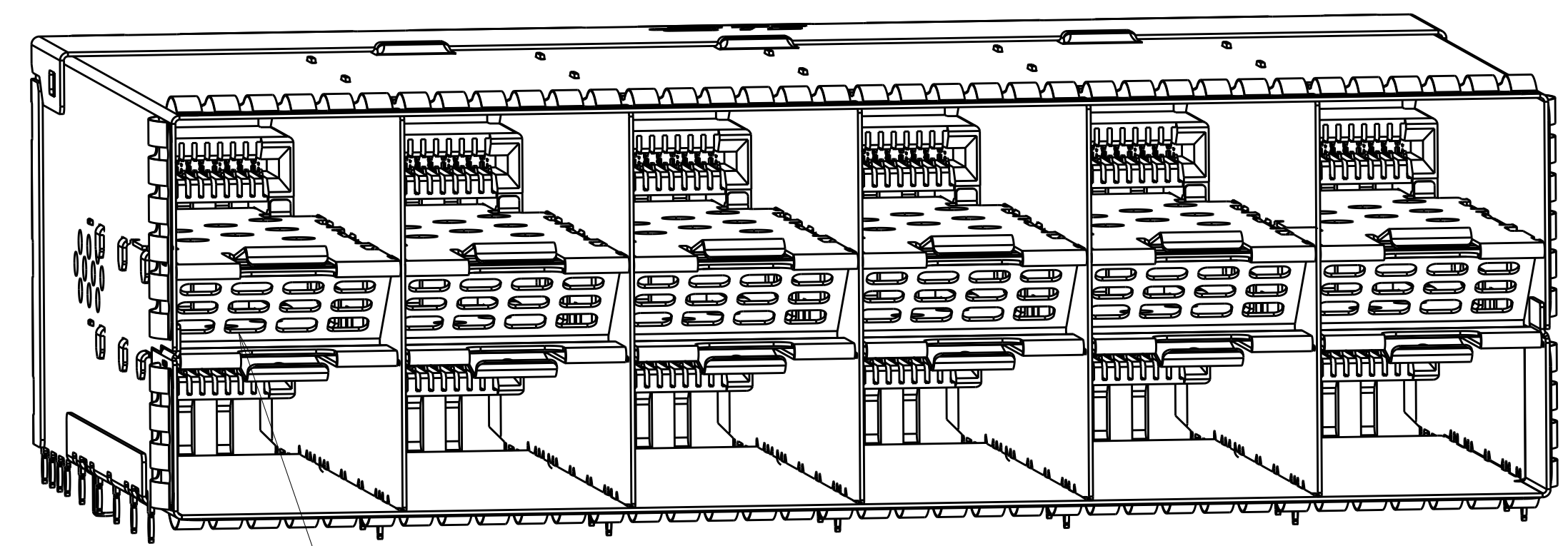
REV: A

| LOC | | DIST | | REVISIONS | | | |
|-----|----|------|-----|-------------|------|-----|------|
| GP | 00 | P | LYR | DESCRIPTION | DATE | DMN | APVD |
| | | - | | SEE SHEET 1 | | | |

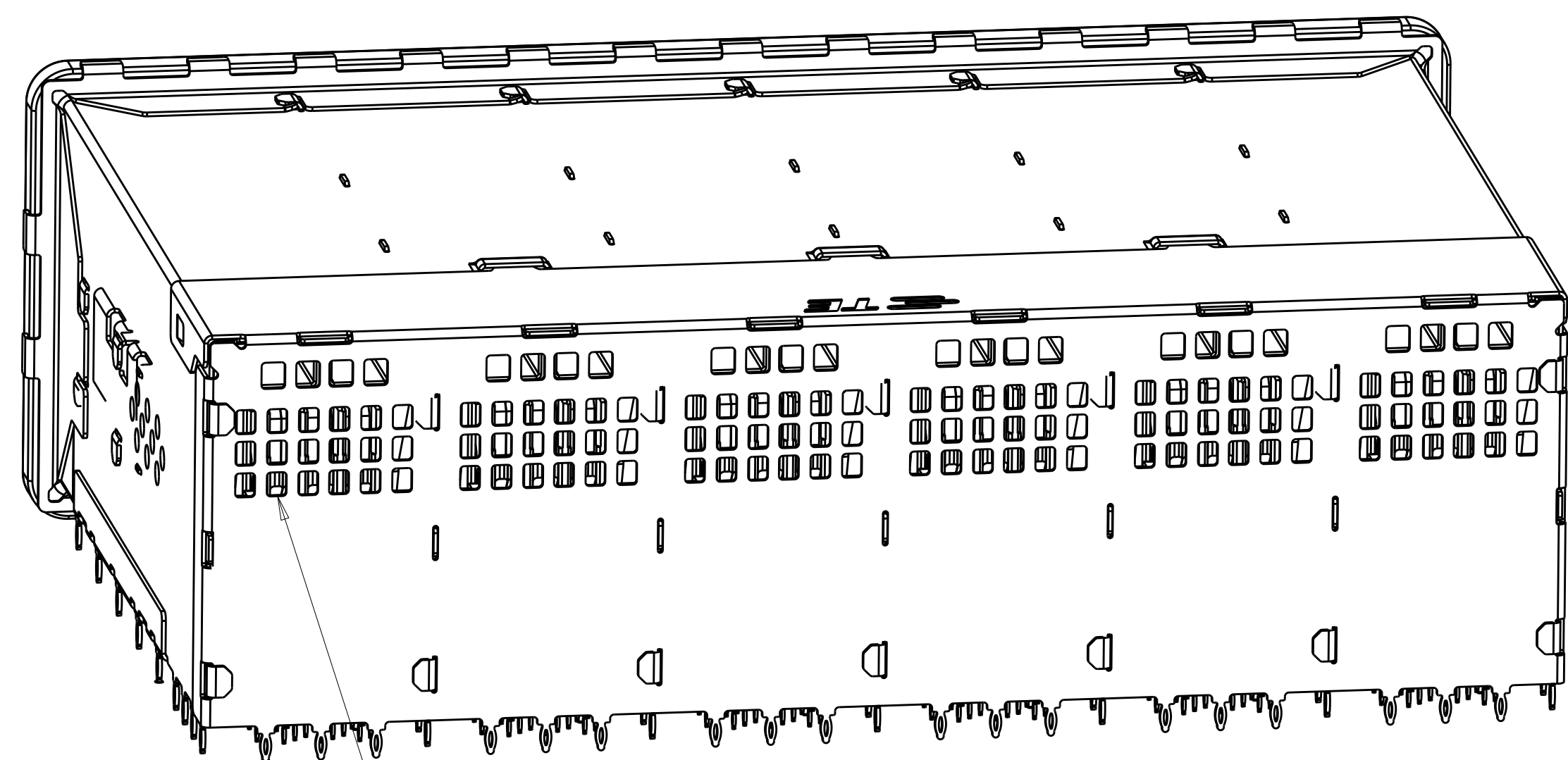
AIRFOLW ENHANCE TYPE



AIR VENTS

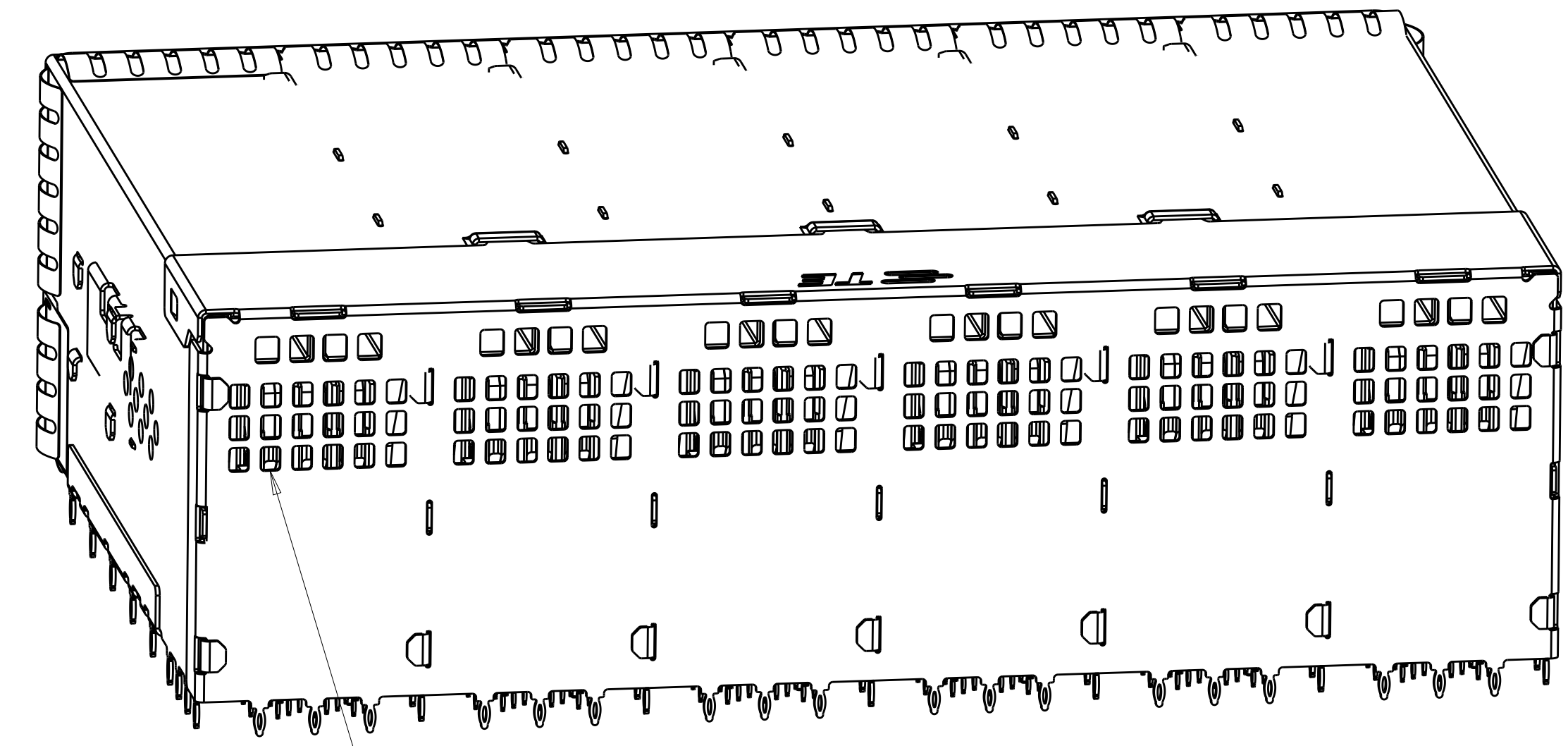


AIR VENTS



AIR VENTS

3-2347721-0
EMI GASKET TYPE

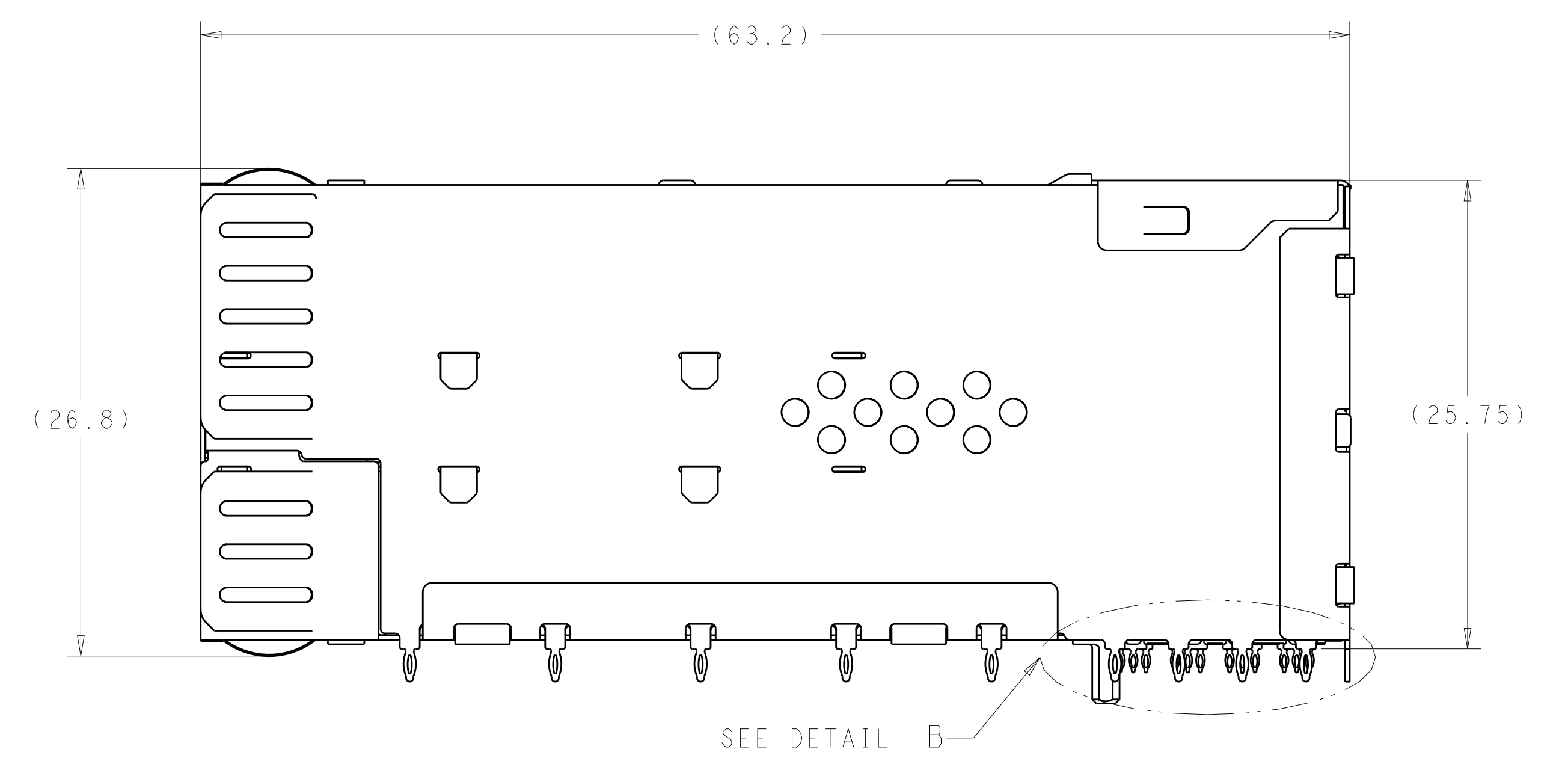
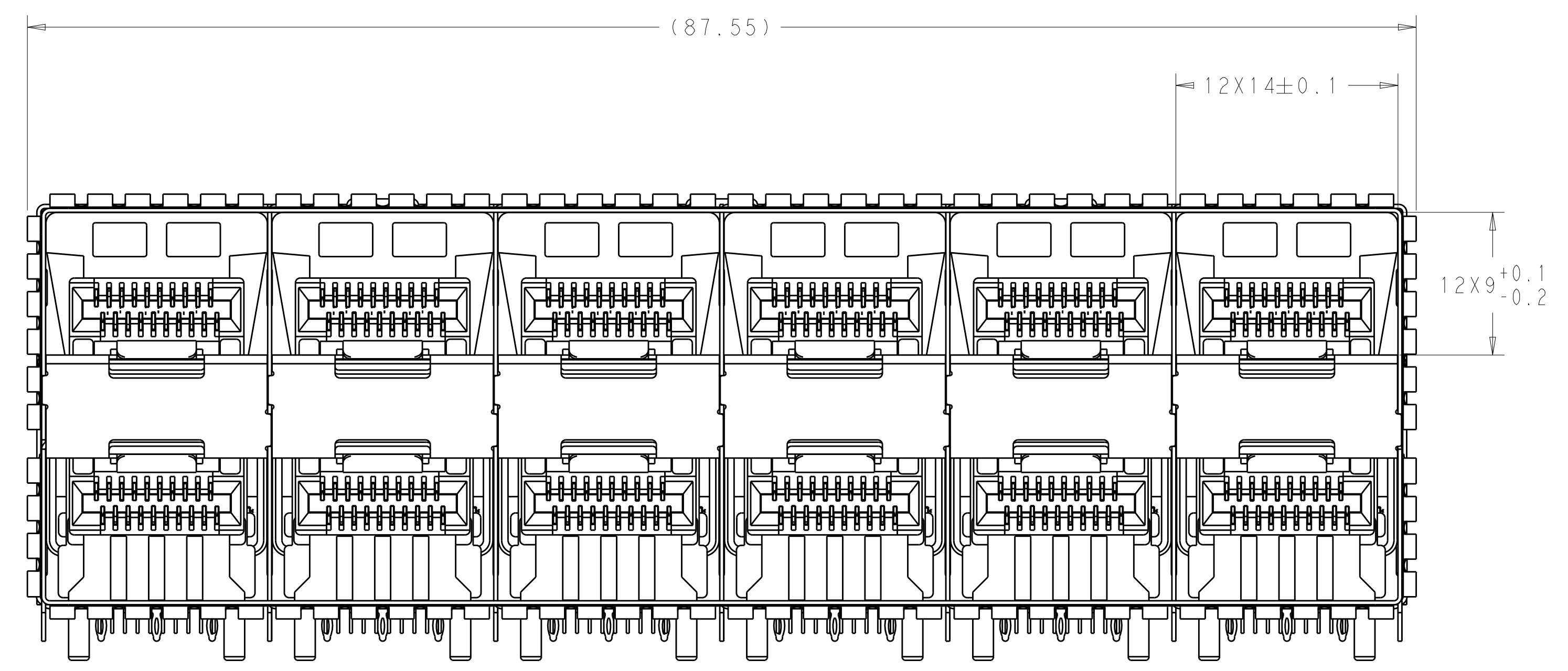


AIR VENTS

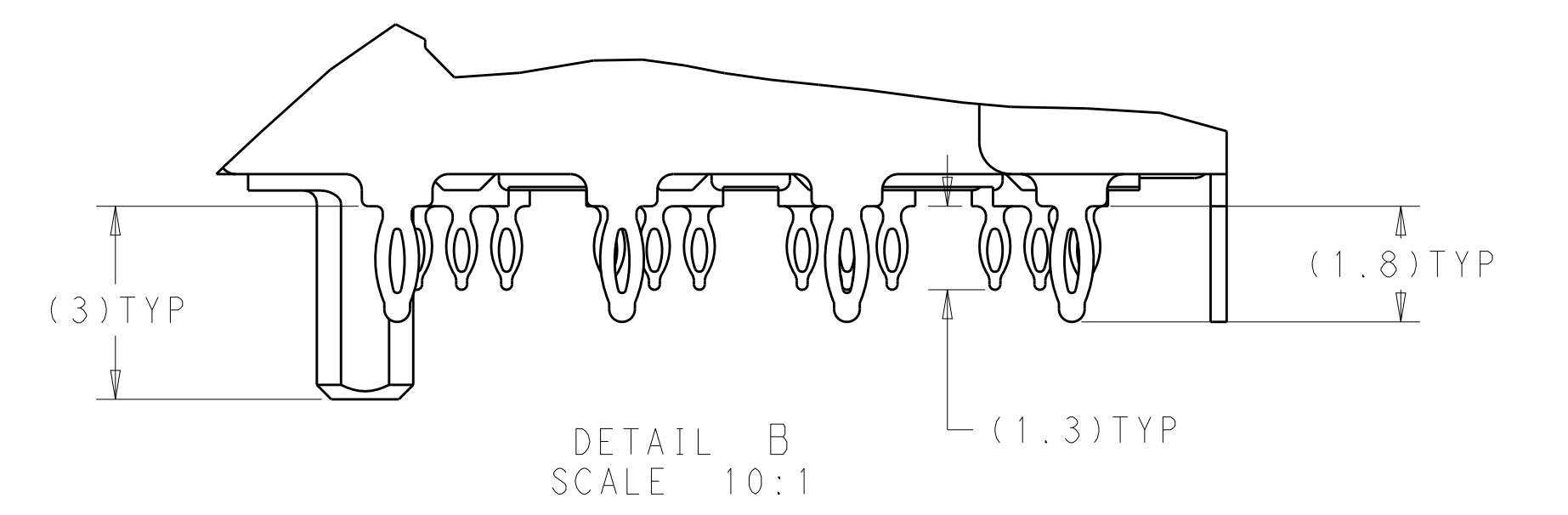
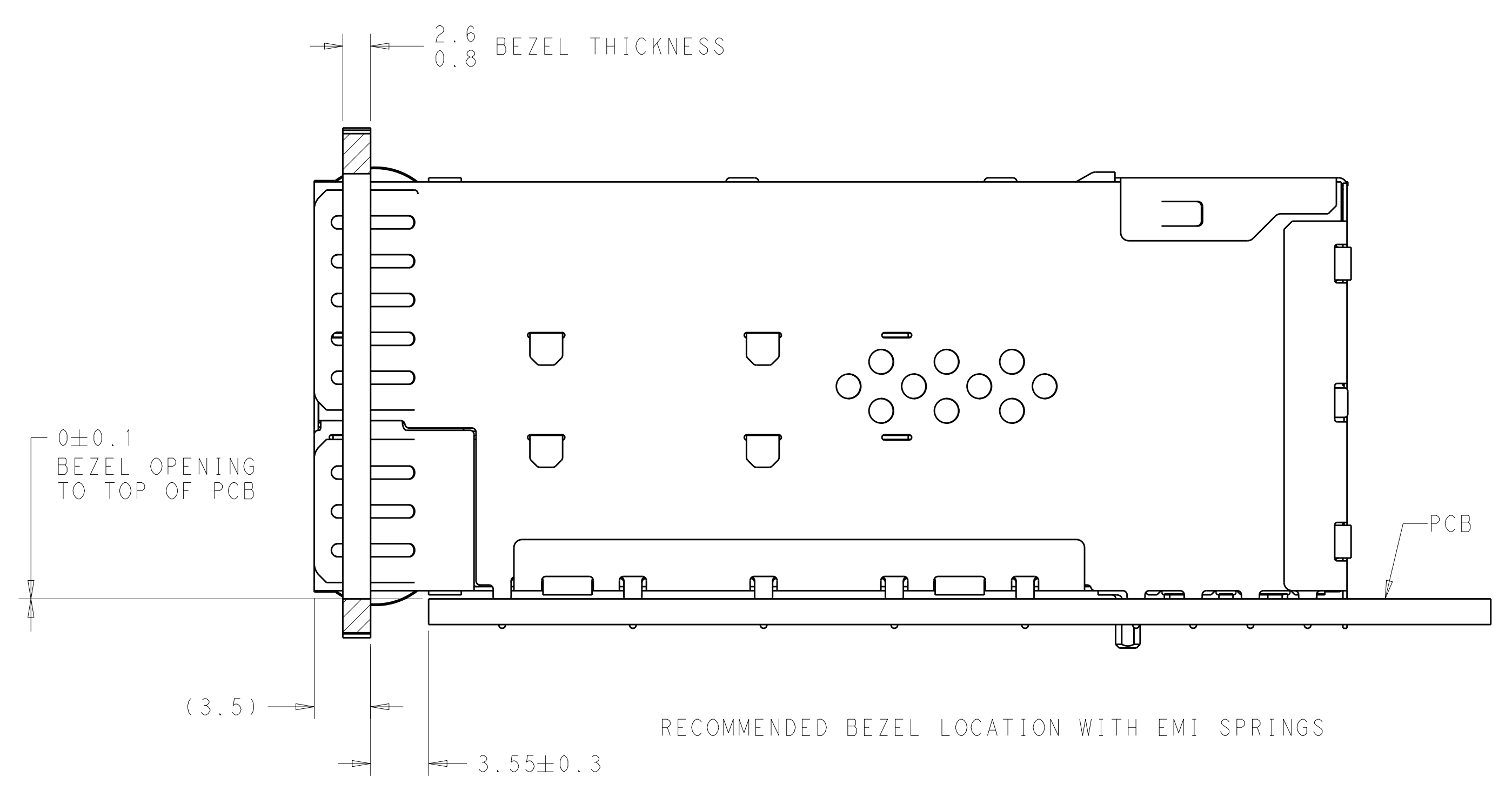
3-2347721-1
EMI SPRING TYPE

| | | | |
|--|---------------------|-------------------------------|---|
| THIS DRAWING IS A CONTROLLED DOCUMENT. | | DMN J. WANG 26FEB2019 | TE Connectivity |
| DIMENSIONS: mm | | CHK S. HAN 26FEB2019 | |
| TOLERANCES UNLESS OTHERWISE SPECIFIED: | | APVD S. HAN 26FEB2019 | NAME RECEPTACLE ASSEMBLY, 2X6, STACKED, SFP56 |
| 0 PLC ±0.25 | 1 PLC ±0.25 | PRODUCT SPEC 108-2481 | SIZE A100779C=2347721 |
| 2 PLC ±0.25 | 3 PLC ±0.25 | APPLICATION SPEC 114-13319 | RESTRICTED TO |
| 4 PLC ± | ANGLES ±° | WEIGHT | SCALE 1:1 SHEET 2 OF 6 REV A |
| MATERIAL SEE NOTES | FINISH SEE NOTES | CUSTOMER DRAWING | |

| LOC | DIST | REVISIONS | | | | | |
|-----|------|-----------|-----|-------------|------|-----|------|
| GP | 00 | P | LTN | DESCRIPTION | DATE | DWN | APVD |
| | | - | | SEE SHEET 1 | - | - | - |

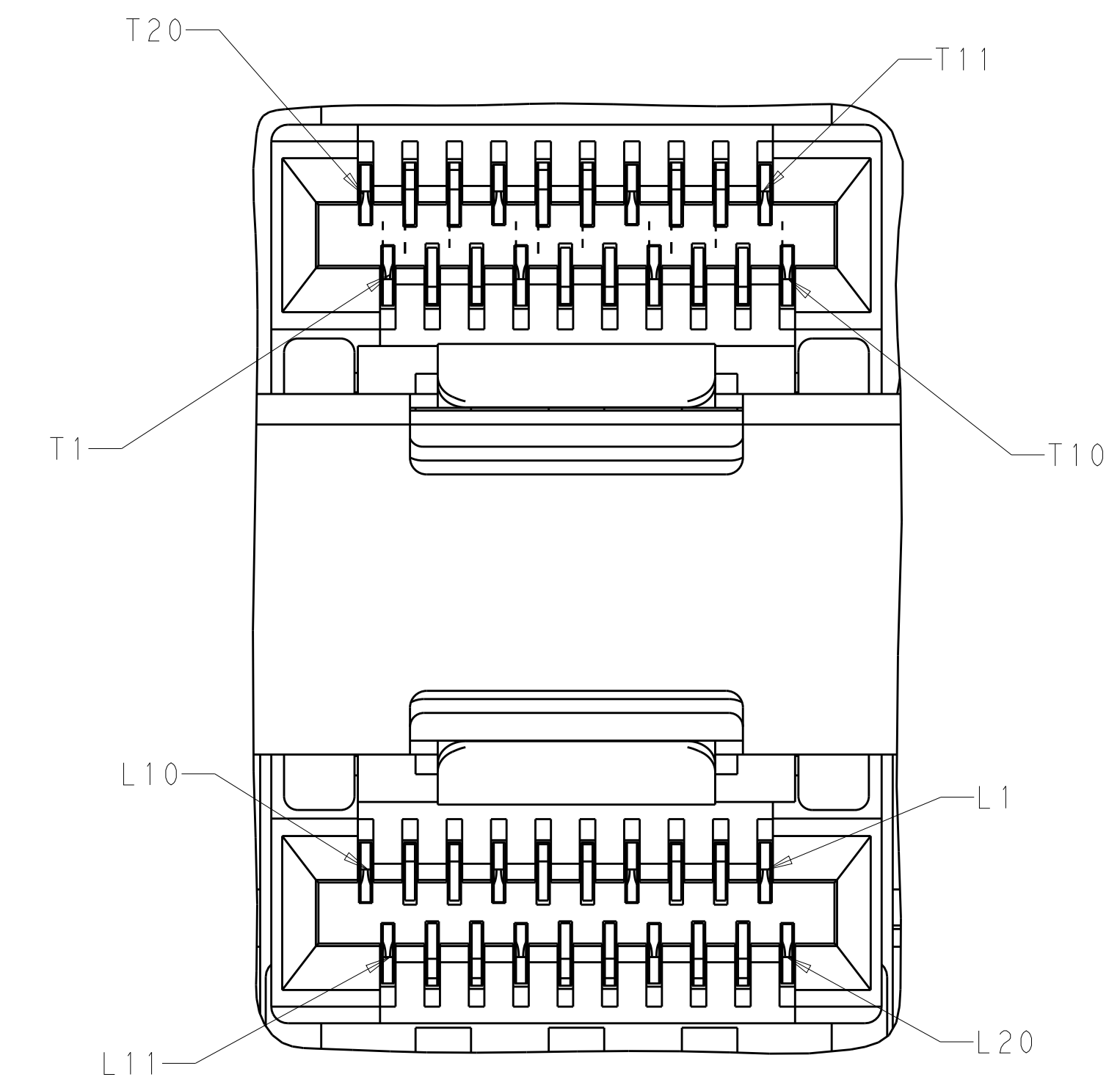
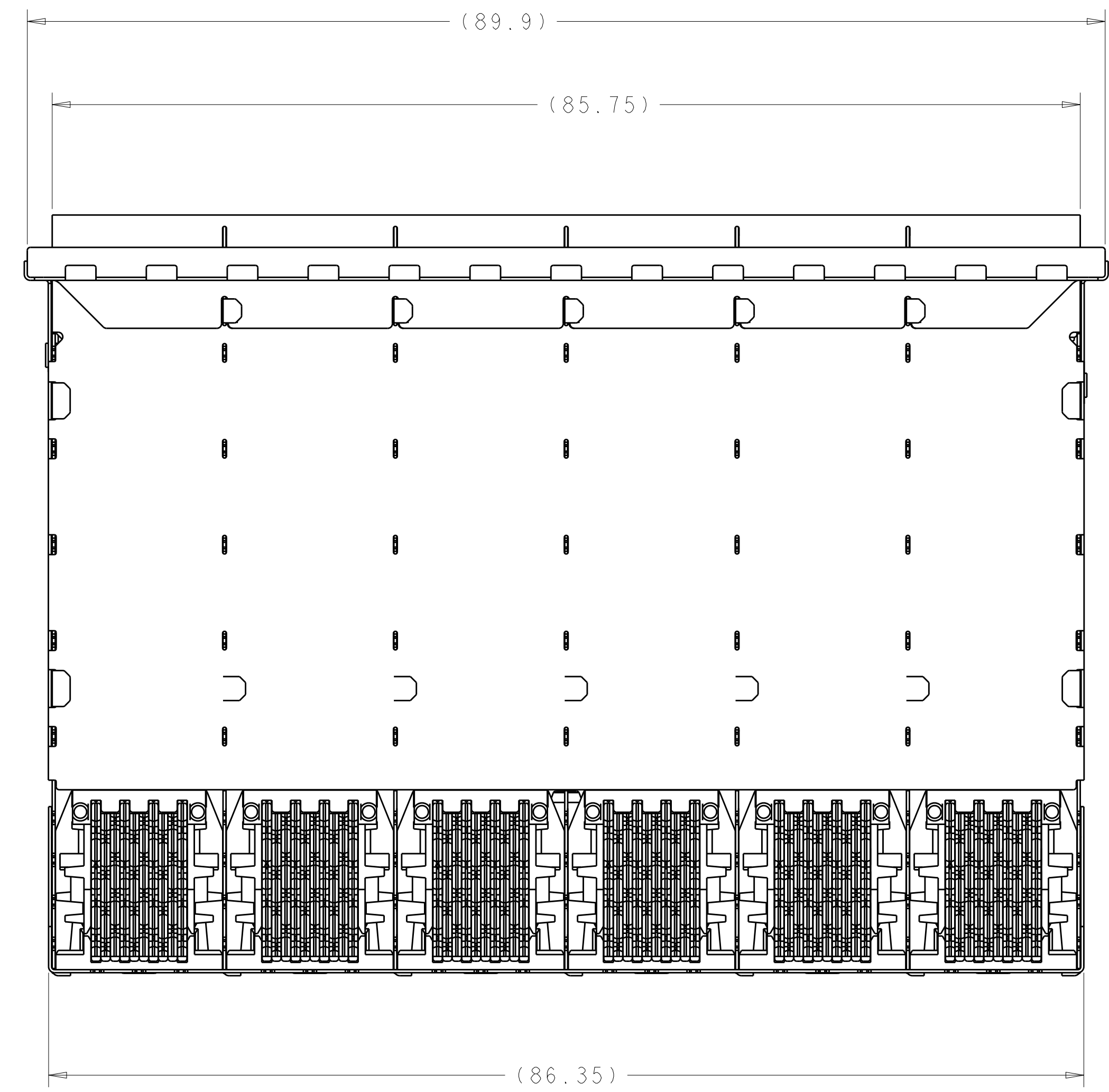
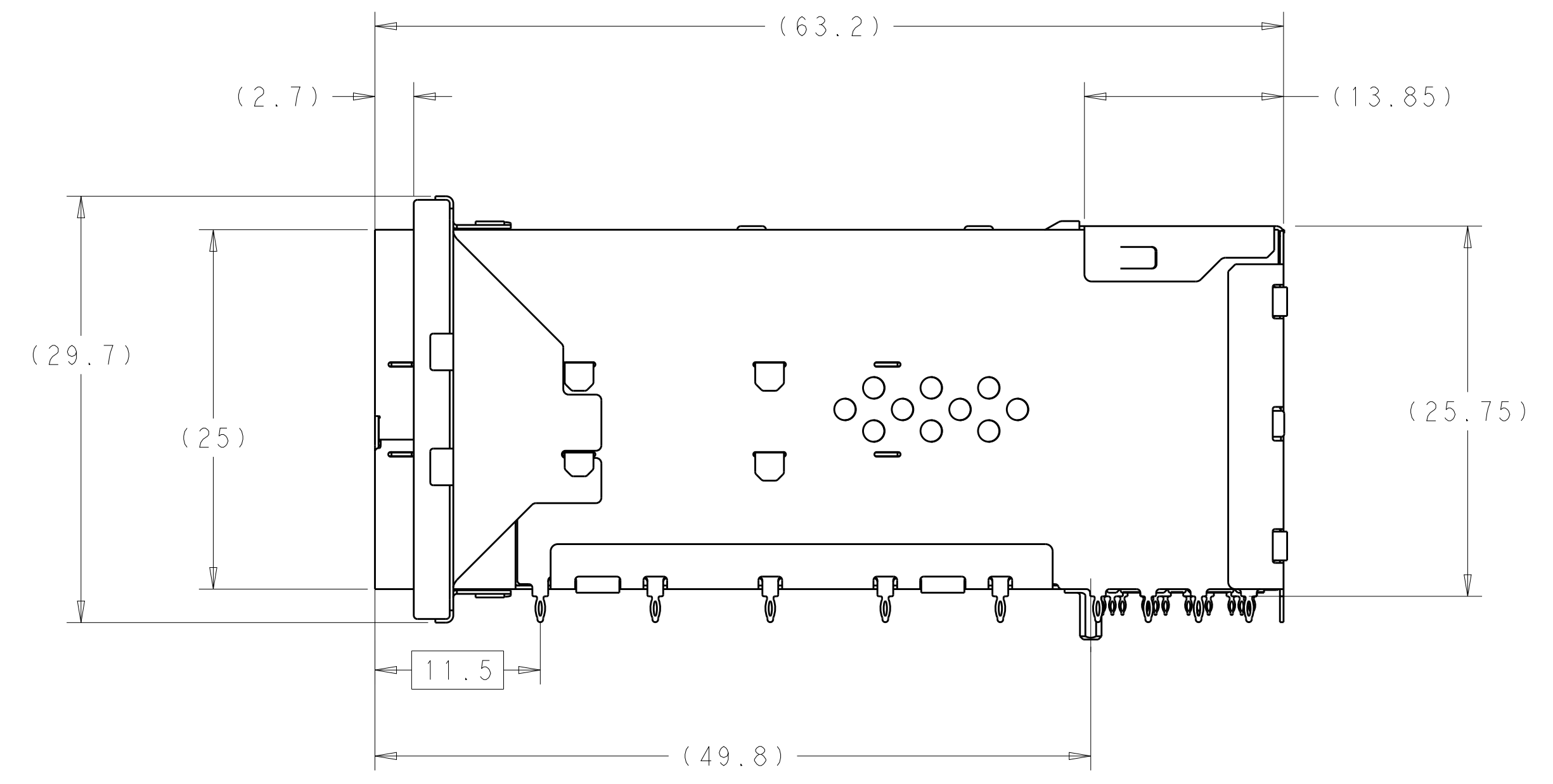
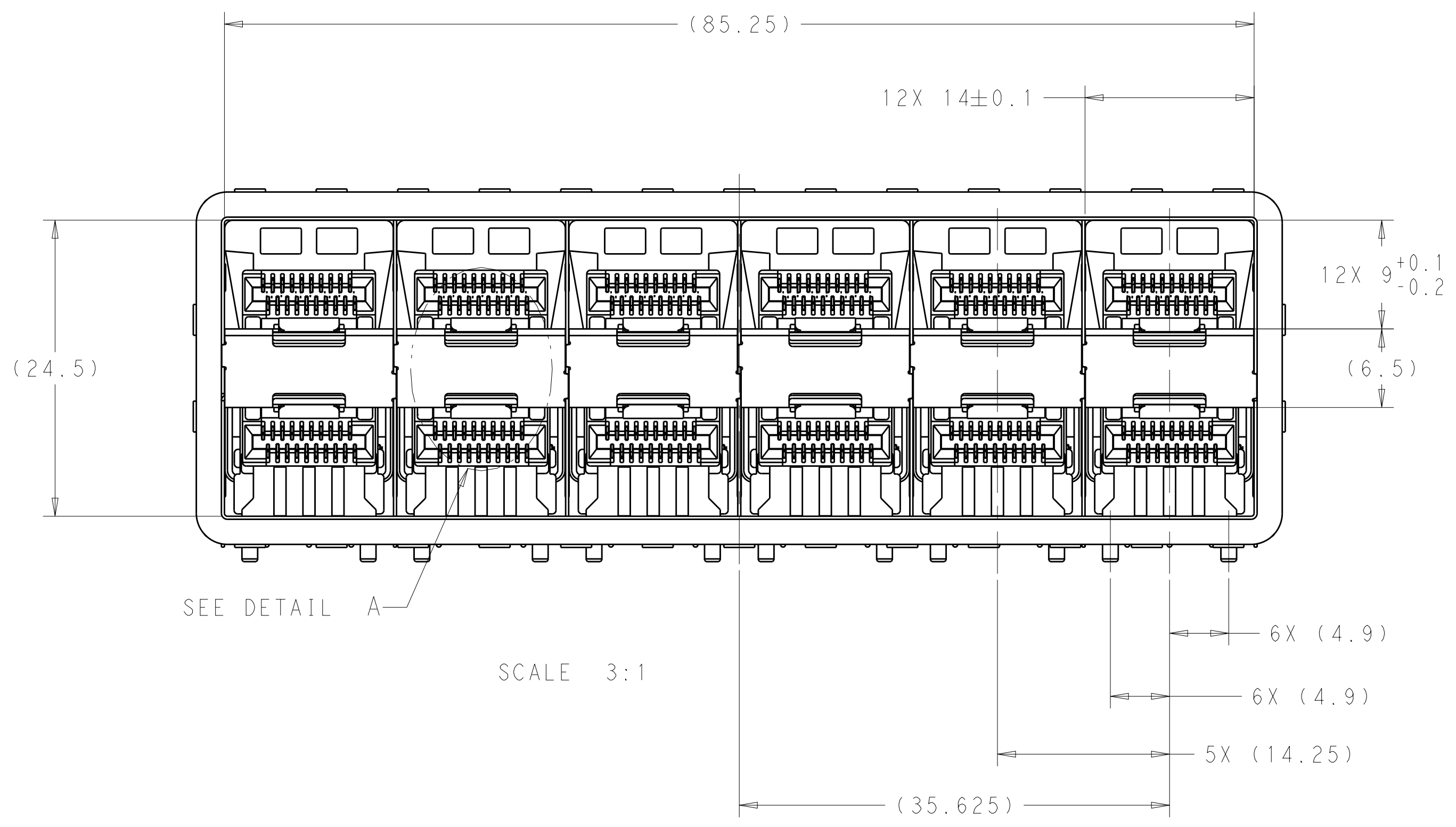


2347721-5 THRU 1-2347721-2, 1-2347721-9, 2-2347721-0, 2-2347721-1
 EMI SPRINGS ONLY
 SCALE 4:1



| | | | |
|--|-------------------|------------------------|--|
| THIS DRAWING IS A CONTROLLED DOCUMENT. | | DWN: J. WANG 26FEB2019 | TE Connectivity |
| DIMENSIONS: mm | | CHK: S. HAN 26FEB2019 | |
| TOLERANCES UNLESS OTHERWISE SPECIFIED: | | APVD: S. HAN 26FEB2019 | NAME: RECEPTACLE ASSEMBLY, 2X6, STACKED, SFP56 |
| 0 PLC | ±0.25 | PRODUCT SPEC | SIZE: CAGE CODE DRAWING NO |
| 1 PLC | ±0.25 | 108-2481 | RESTRICTED TO |
| 2 PLC | ±0.25 | APPLICATION SPEC | A100779C=2347721 |
| 3 PLC | ±0.25 | 114-13319 | SCALE 1:1 SHEET 3 OF 6 REV A |
| 4 PLC | ±0.25 | WEIGHT | |
| ANGLES | ±4° | CUSTOMER DRAWING | |
| MATERIAL: SEE NOTES | FINISH: SEE NOTES | | |

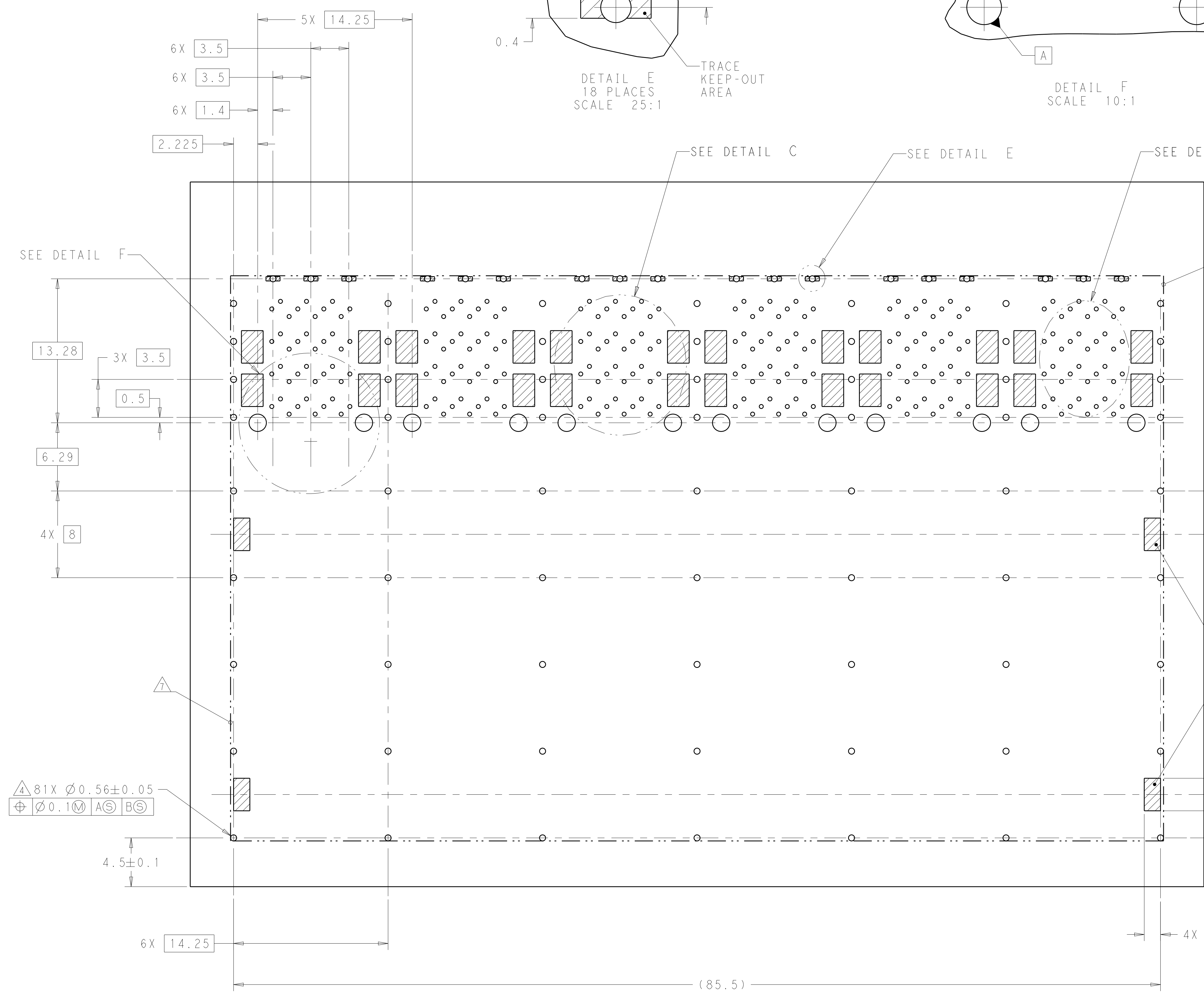
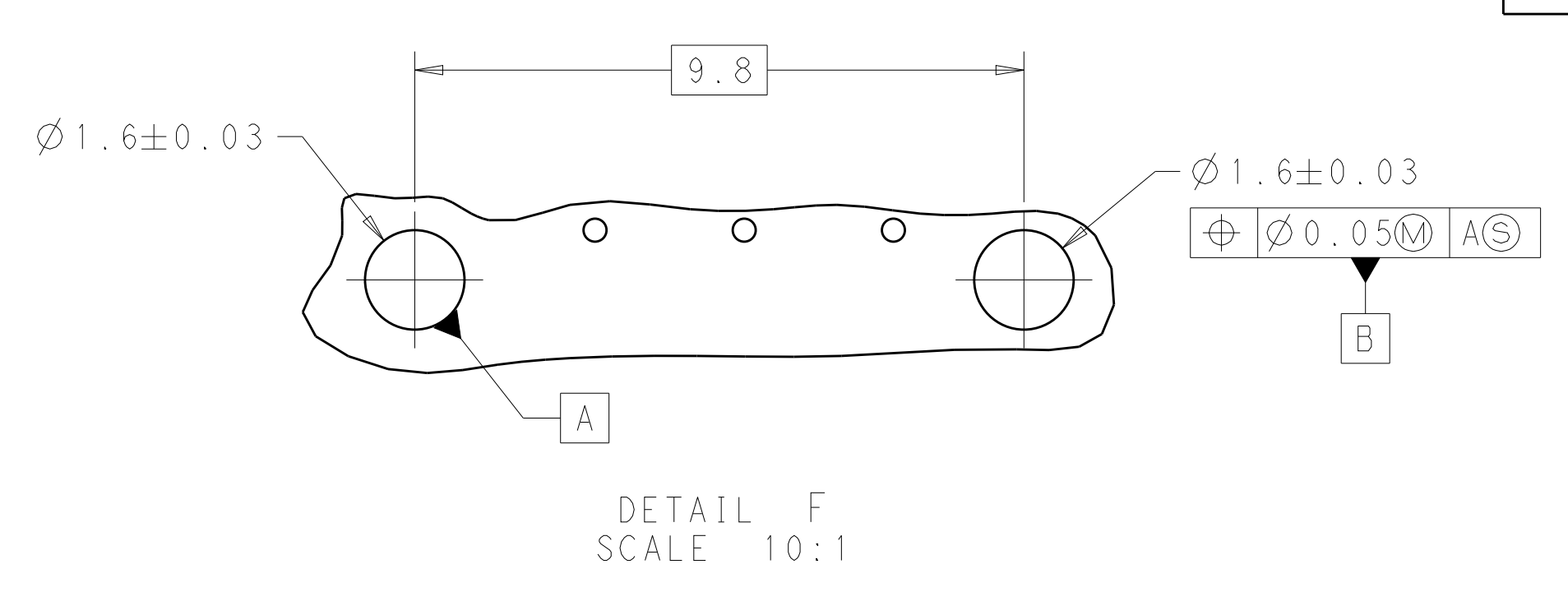
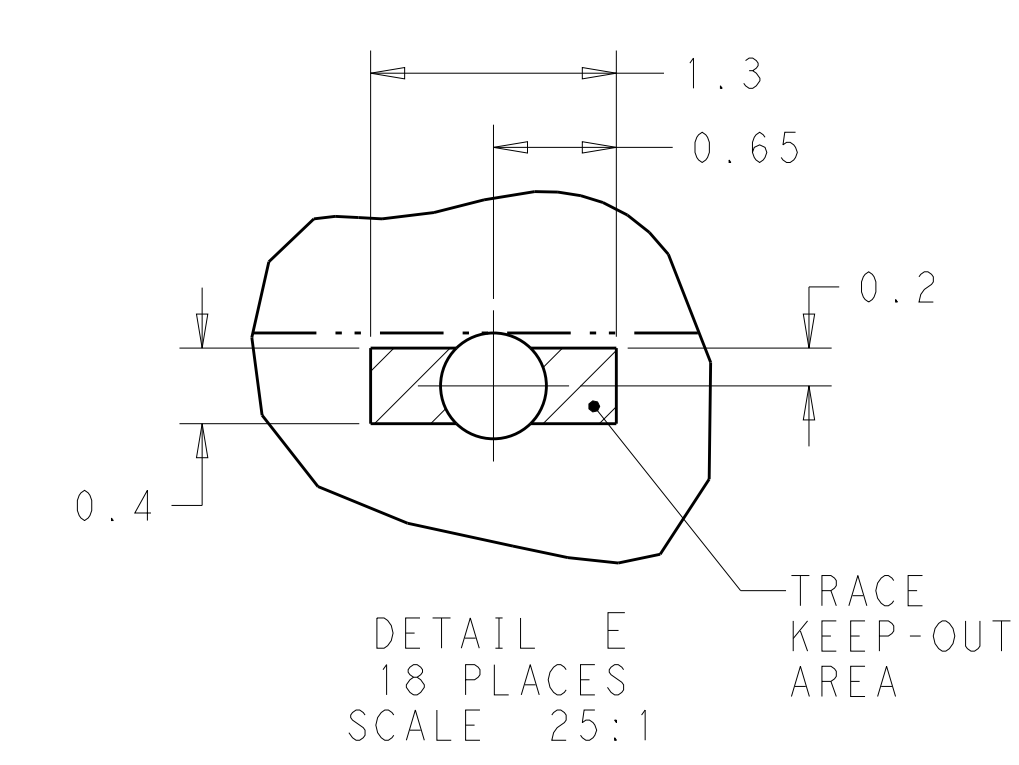
| LOC | | DIST | | REVISIONS | | | |
|-----|----|------|-----|-------------|------|-----|------|
| GP | 00 | P | LYR | DESCRIPTION | DATE | DWN | APVD |
| | | - | | SEE SHEET 1 | - | - | - |



DETAIL A
 6X INDIVIDUALLY
 SCALE 10:1

| | | | |
|--|--|-----------------------------|--|
| THIS DRAWING IS A CONTROLLED DOCUMENT. | | DWN: J. WANG 26FEB2019 | TE Connectivity |
| DIMENSIONS: mm | | CHK: S. HAN 26FEB2019 | |
| TOLERANCES UNLESS OTHERWISE SPECIFIED: | | APVD: S. HAN 26FEB2019 | NAME: RECEPTACLE ASSEMBLY, 2X6, STACKED, SFP56 |
| 0 PLC ±0.25 1 PLC ±0.25 2 PLC ±0.25 3 PLC ±0.25 4 PLC ±0.25 ANGLES ±° | | PRODUCT SPEC: 108-2481 | SIZE: A1 |
| MATERIAL: SEE NOTES | | APPLICATION SPEC: 114-13319 | CAGE CODE: 2347721 |
| FINISH: SEE NOTES | | WEIGHT: - | RESTRICTED TO: - |
| | | CUSTOMER DRAWING | SCALE: 4:1 SHEET 4 OF 6 REV A |

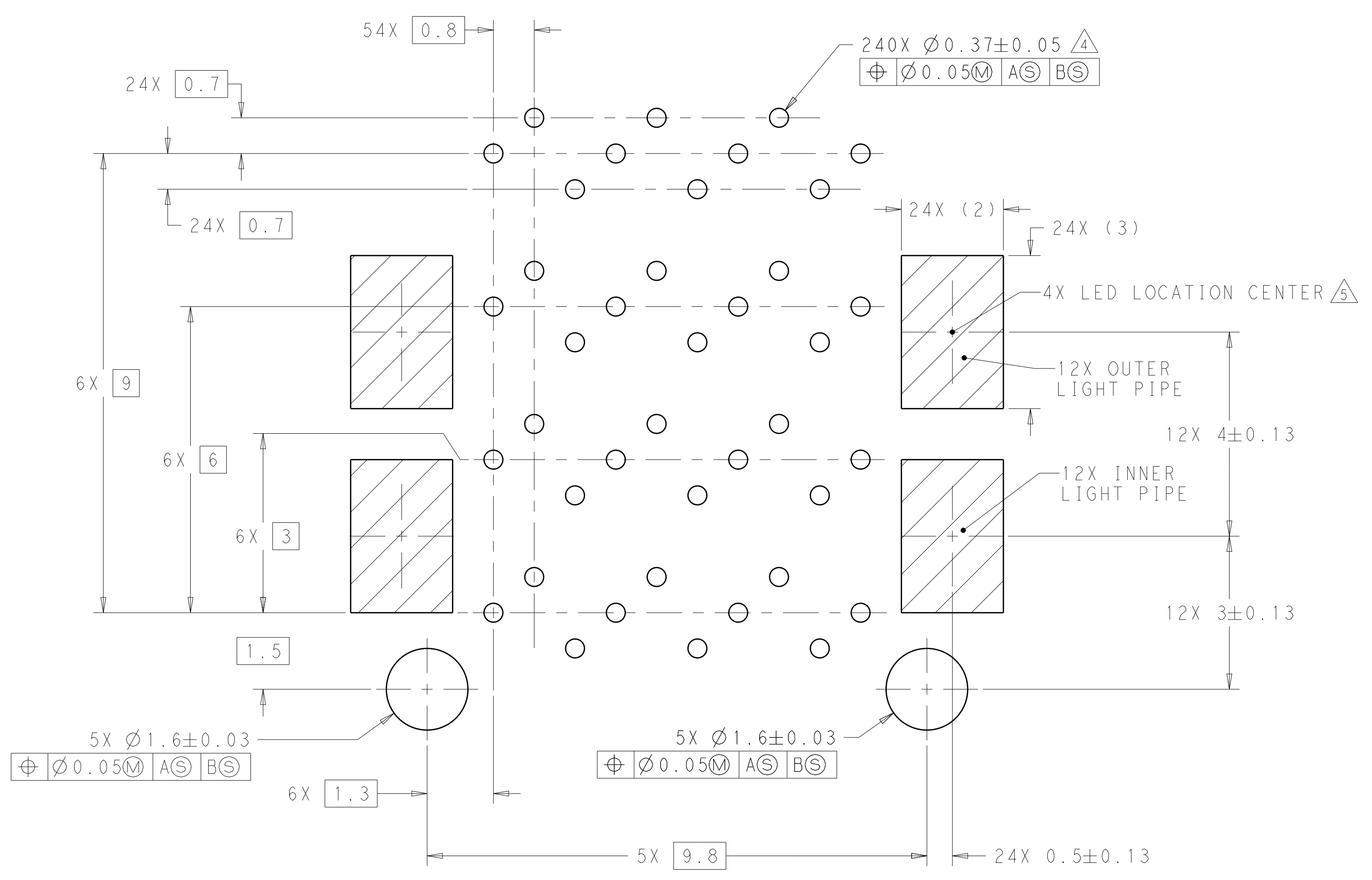
| LOC | | DIST | | REVISIONS | | | |
|-----|----|------|-----|-------------|------|-----|------|
| GP | 00 | P | LTH | DESCRIPTION | DATE | DWN | APVD |
| | | | | SEE SHEET 1 | | | |



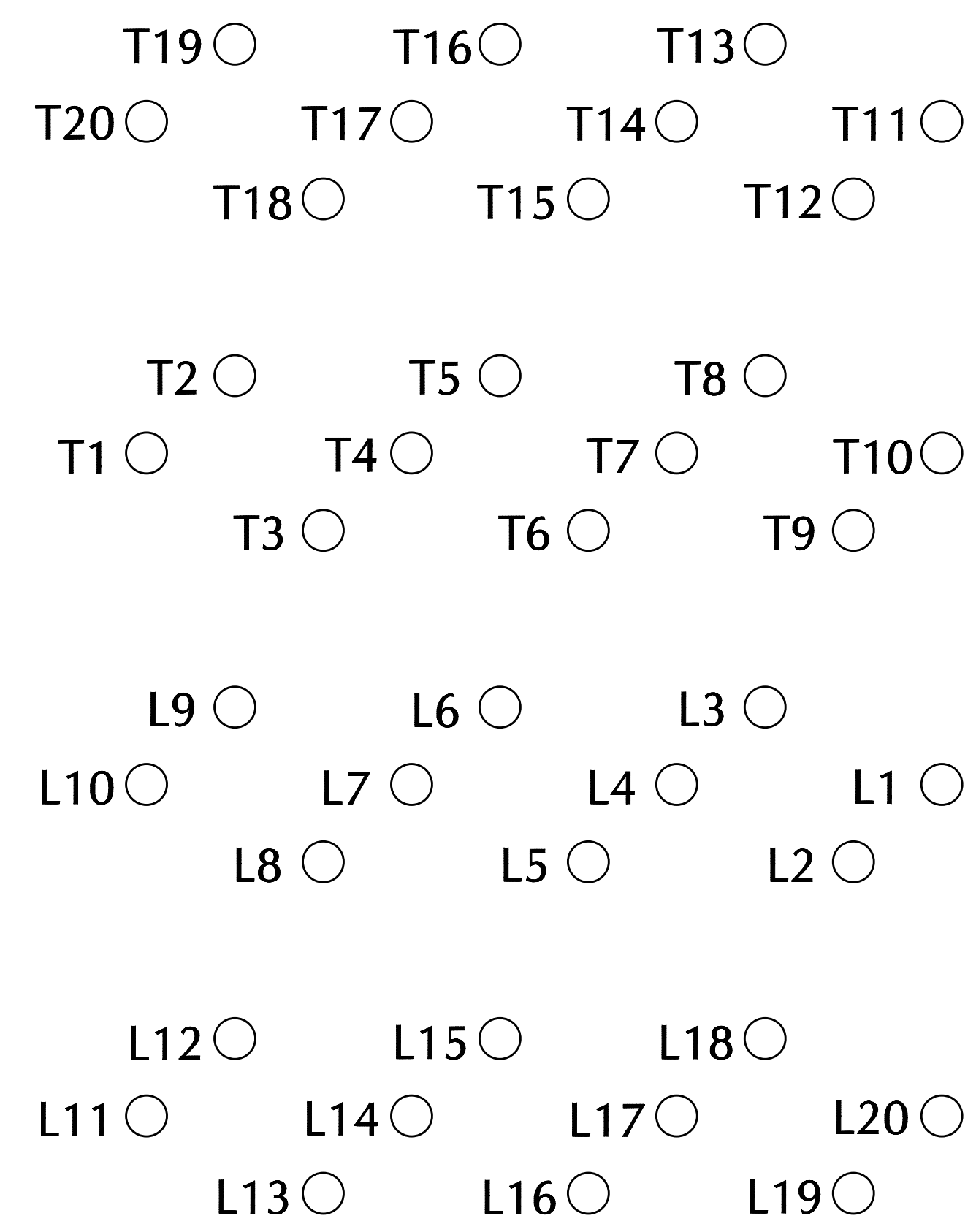
4 81X $\varnothing 0.56 \pm 0.05$
 $\varnothing 0.1$ M A S B S

| | | | |
|--|--|-------------------------------|---|
| THIS DRAWING IS A CONTROLLED DOCUMENT. | | DWN J. WANG 26FEB2019 | TE Connectivity |
| DIMENSIONS: mm | | CHK S. HAN 26FEB2019 | |
| TOLERANCES UNLESS OTHERWISE SPECIFIED: | | APVD S. HAN 26FEB2019 | NAME RECEPTACLE ASSEMBLY, 2X6, STACKED, SFP56 |
| 0 PLC ± 0.25 1 PLC ± 0.25 2 PLC ± 0.25 3 PLC ± 0.25 4 PLC ± 0.25 ANGLES $\pm 0.5^\circ$ | | PRODUCT SPEC 108-2481 | SIZE A100779 |
| MATERIAL SEE NOTES | | APPLICATION SPEC 114-13319 | DRAWING NO C=2347721 |
| FINISH SEE NOTES | | WEIGHT | RESTRICTED TO |
| CUSTOMER DRAWING | | SCALE 4:1 | SHEET 5 OF 6 REV A |

| LOC | DIST | REVISIONS | | | |
|-----|------|-----------|-------------|----|------|
| GP | 00 | REV | DATE | BY | APPV |
| | | 1 | SEE SHEET 1 | | |

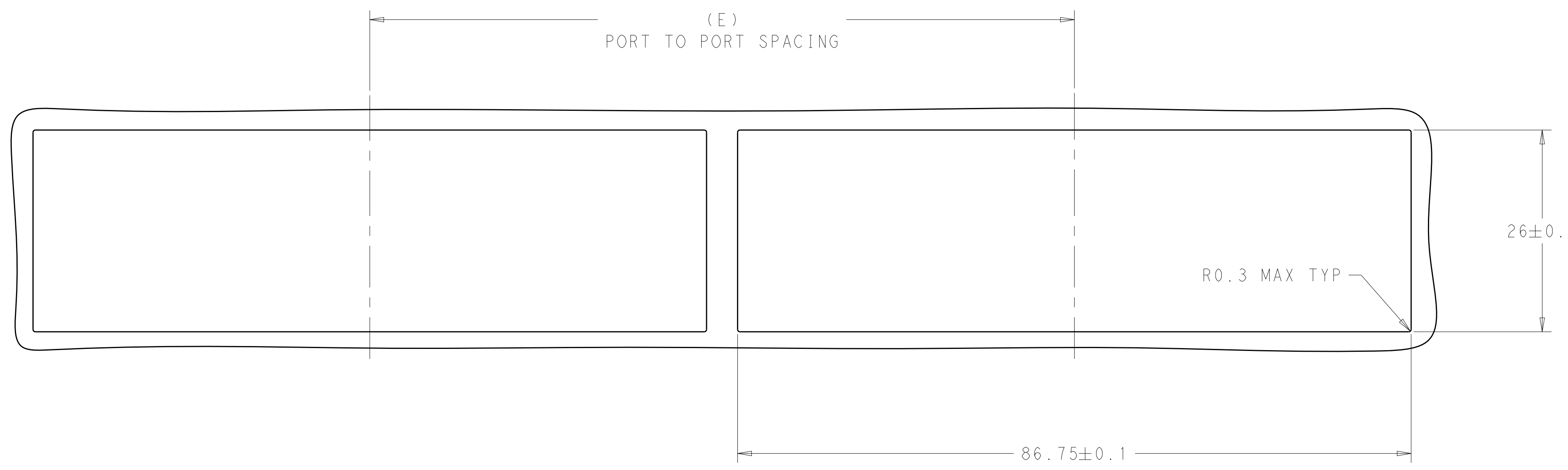


DETAIL C
 RECOMMENDED PIN AND LIGHT PIPE LAYOUT
 SCALE 15:1

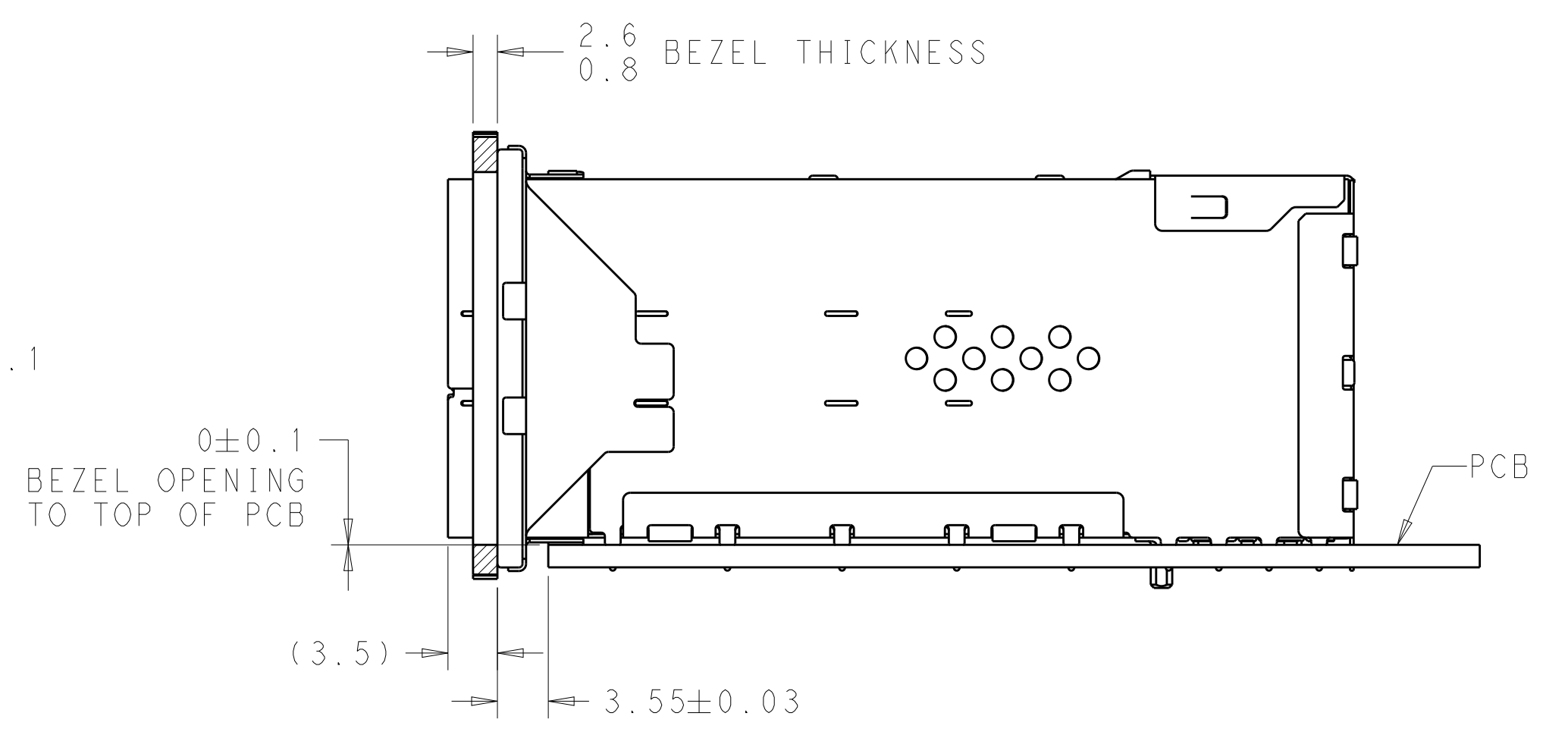


DETAIL D
 PIN MAP
 6 PLACES
 SCALE 20:1

| PIN MAP LEGEND | |
|----------------|------------|
| PIN NUMBER | FUNCTION |
| L1/T1 | VEET |
| L2/T2 | TX-FAULT |
| L3/T3 | TX-DISABLE |
| L4/T4 | SDA |
| L5/T5 | SCL |
| L6/T6 | MOD_ABS |
| L7/T7 | RSO |
| L8/T8 | RX_LOS |
| L9/T9 | RS1 |
| L10/T10 | VEER |
| L11/T11 | VEER |
| L12/T12 | RD- |
| L13/T13 | RD+ |
| L14/T14 | VEER |
| L15/T15 | VCCR |
| L16/T16 | VCCT |
| L17/T17 | VEET |
| L18/T18 | TD+ |
| L19/T19 | TD- |
| L20/T20 | VEET |



RECOMMENDED BEZEL CUT-OUT DETAIL
 SCALE 5:2



RECOMMENDED BEZEL LOCATION WITH EMI GASKET
 SCALE 5:2

| | | | |
|--|--|-----------------------------|--|
| THIS DRAWING IS A CONTROLLED DOCUMENT. | | OWN: J. WANG 26FEB2019 | TE Connectivity |
| DIMENSIONS: mm | | CHK: S. HAN 26FEB2019 | |
| TOLERANCES UNLESS OTHERWISE SPECIFIED: | | APVD: S. HAN 26FEB2019 | NAME: RECEPTACLE ASSEMBLY, 2X6, STACKED, SFP56 |
| 0 PLC ±0.25 | | PRODUCT SPEC: 108-2481 | |
| 1 PLC ±0.25 | | APPLICATION SPEC: 114-13319 | SIZE: A100779 ©=2347721 |
| 2 PLC ±0.25 | | WEIGHT: - | |
| 3 PLC ±0.25 | | CUSTOMER DRAWING | RESTRICTED TO: - |
| 4 PLC ±0.25 | | SCALE: 4:1 | SHEET: 6 OF 6 |
| ANGLES: ±° | | REV: A | |

Компания «Life Electronics» занимается поставками электронных компонентов импортного и отечественного производства от производителей и со складов крупных дистрибьюторов Европы, Америки и Азии.

С конца 2013 года компания активно расширяет линейку поставок компонентов по направлению коаксиальный кабель, кварцевые генераторы и конденсаторы (керамические, пленочные, электролитические), за счёт заключения дистрибьюторских договоров

Мы предлагаем:

- Конкуренспособные цены и скидки постоянным клиентам.
- Специальные условия для постоянных клиентов.
- Подбор аналогов.
- Поставку компонентов в любых объемах, удовлетворяющих вашим потребностям.
- Приемлемые сроки поставки, возможна ускоренная поставка.
- Доставку товара в любую точку России и стран СНГ.
- Комплексную поставку.
- Работу по проектам и поставку образцов.
- Формирование склада под заказчика.
- Сертификаты соответствия на поставляемую продукцию (по желанию клиента).
- Тестирование поставляемой продукции.
- Поставку компонентов, требующих военную и космическую приемку.
- Входной контроль качества.
- Наличие сертификата ISO.

В составе нашей компании организован Конструкторский отдел, призванный помогать разработчикам, и инженерам.

Конструкторский отдел помогает осуществить:

- Регистрацию проекта у производителя компонентов.
- Техническую поддержку проекта.
- Защиту от снятия компонента с производства.
- Оценку стоимости проекта по компонентам.
- Изготовление тестовой платы монтаж и пусконаладочные работы.



Тел: +7 (812) 336 43 04 (многоканальный)

Email: org@lifeelectronics.ru