

## MAX15091/MAX15091A

## 2.7V to 18V, 9A, Integrated Hot-Swap Solution with Current Report Output

### General Description

The MAX15091/MAX15091A ICs are integrated solutions for hot-swap applications requiring the safe insertion and removal of circuit line cards from a live backplane. The devices integrate a hot-swap controller, 18mΩ (typ) power MOSFET, and an electronic circuit-breaker protection in a single package.

The devices integrate an accurate current-sense circuitry and provide 170μA/A of proportional output current. The devices are designed for protection of 2.7V to 18V supply voltages.

These devices implement a foldback current limit during startup to control inrush current lowering di/dt and keep the MOSFET operating under safe operating area (SOA) conditions. After the startup cycle is complete, on-chip comparators provide VariableSpeed/BiLevel™ protection against short-circuit and overcurrent faults, and immunity against system noise and load transients. The load is disconnected in the event of a fault condition. The devices are factory calibrated to deliver accurate overcurrent protection with ±10% accuracy. During a fault condition, the MAX15091 latches off, while the MAX15091A enters autoretry mode.

The devices feature an IN to OUT short-circuit detection before startup. The devices provide a power-MOSFET GATE pin to program the slew rate during startup by adding an external capacitor. The devices have overvoltage/undervoltage input pins that can detect an overvoltage/undervoltage fault and disconnect the IN from the OUT. Additional features include internal overtemperature protection, power-good output, and fault-indicator output.

The MAX15091/MAX15091A are available in a 28-pin, 5mm x 5mm TQFN power package and are rated over the -40°C to +85°C extended temperature range.

For related parts and recommended products to use with this part, refer to [www.maximintegrated.com/MAX15091.related](http://www.maximintegrated.com/MAX15091.related).

VariableSpeed/BiLevel is a trademark of Maxim Integrated Products, Inc.

### Benefits and Features

- Integration Reduces Solution Size for Blade Servers and Other Space-Constrained Designs
  - Integrated 18mΩ (typ) Internal Power MOSFET
  - Overvoltage Protection
  - Power-Good and Fault Outputs
  - Analog Current Report Output without Need for External R<sub>SENSE</sub>
  - Thermal Protection
- Flexibility Enables Use in Many Unique Designs
  - 2.7V to 18V Operating Voltage Range
  - Programmable Inrush Current Control Under SOA Operation
  - Adjustable Circuit-Breaker Current/Current-Limit Threshold
  - Programmable Slew-Rate Control
  - Programmable Undervoltage Lockout
  - Variable-Speed Circuit-Breaker Response
  - Latchoff or Automatic Retry Options
- Safety Features Ensure Accurate, Robust Protection
  - 9A (max) Load Current Capability
  - ±10% Circuit-Breaker Threshold Accuracy
  - Inrush Current Regulated at Startup with Foldback
  - Implementation for di/dt Control
  - IN-to-OUT Short-Circuit Detection

### Applications

- Blade Servers
- Server I/O Cards
- RAID Systems
- Disk Drive Power
- Storage Applications
- Industrial Applications

**Ordering Information** appears at end of data sheet.

**Typical Application Circuit** appears at end of data sheet.

### Absolute Maximum Ratings

V <sub>CC</sub> to GND .....	-0.3V to +20V	Continuous Power Dissipation (T <sub>A</sub> = +70°C) TQFN (derate 34.5mW/°C above +70°C).....2758.6mW Operating Temperature Range..... -40°C to +85°C Junction Temperature..... +150°C Storage Temperature Range..... -60°C to +150°C Lead Temperature (soldering, 10s)..... +300°C Soldering Temperature (reflow)..... +260°C
IN to GND.....	-0.3V to +20V	
OUT to GND.....	-0.3V to (V <sub>IN</sub> + 0.3V)	
GATE to OUT .....	-0.3V to +6V	
CDLY, ISENSE to GND .....	-0.3V to (V <sub>REG</sub> + 0.3V)	
EN, CB, UV, OV to GND .....	-0.3V to +6V	
REG to GND.....	-0.3V to min (+6V, (V <sub>CC</sub> + 0.3V))	
PG, FAULT to GND .....	-0.3V to +20V	

Stresses beyond those listed under “Absolute Maximum Ratings” may cause permanent damage to the device. These are stress ratings only, and functional operation of the device at these or any other conditions beyond those indicated in the operational sections of the specifications is not implied. Exposure to absolute maximum rating conditions for extended periods may affect device reliability.

### Package Thermal Characteristics (Note 1)

Junction-to-Ambient Thermal Resistance (θ <sub>JA</sub> ) .....	29°C/W
Junction-to-Case Thermal Resistance (θ <sub>JC</sub> ).....	2°C/W

**Note 1:** Package thermal resistances were obtained using the method described in JEDEC specification JESD51-7, using a four-layer board. For detailed information on package thermal considerations, refer to [www.maximintegrated.com/thermal-tutorial](http://www.maximintegrated.com/thermal-tutorial). Thermal resistance can be lowered with improved board design.

### Electrical Characteristics

(V<sub>IN</sub> = V<sub>CC</sub> = 2.7V to 18V, T<sub>A</sub> = T<sub>J</sub> = -40°C to +85°C, unless otherwise noted. Typical values are at V<sub>IN</sub> = 12V, R<sub>CB</sub> = 25kΩ, and T<sub>A</sub> = +25°C.) (Note 2)

PARAMETER	SYMBOL	CONDITIONS	MIN	TYP	MAX	UNITS
<b>POWER SUPPLIES</b>						
V <sub>CC</sub> Operating Range	V <sub>CC</sub>		2.7		18	V
IN Operating Range	V <sub>IN</sub>		2.7		18	V
V <sub>CC</sub> Supply Current	I <sub>CC</sub>	V <sub>IN</sub> = 3V		0.4	0.65	mA
IN Supply Current	I <sub>IN</sub>	R <sub>CB</sub> = 25kΩ, no load		3.3	3.6	mA
		R <sub>CB</sub> = 10kΩ, no load		1.75	2	
V <sub>CC</sub> Default Undervoltage Lockout	V <sub>UVLO</sub>	V <sub>CC</sub> rising	2.35	2.5	2.65	V
V <sub>CC</sub> Default Undervoltage-Lockout Hysteresis	V <sub>UVLO_HYS</sub>			0.1		V
REG Regulator Voltage	V <sub>REG</sub>	No load, V <sub>CC</sub> > 4V	3	3.3	3.5	V
UV Turn-On Threshold	V <sub>UV_TH</sub>	V <sub>UV</sub> rising	1.18	1.2	1.22	V
UV Turn-On Threshold Hysteresis	V <sub>UV_HYS</sub>	V <sub>UV</sub> falling		0.1		V
OV Turn-On Threshold	V <sub>OV_TH</sub>	V <sub>OV</sub> rising	1.18	1.2	1.22	V
OV Turn-On Threshold Hysteresis	V <sub>OV_HYS</sub>	V <sub>OV</sub> falling		0.1		V
EN Threshold	V <sub>EN_TH</sub>	V <sub>EN</sub> rising	0.95	1	1.05	V
EN Threshold Hysteresis	V <sub>EN_HYS</sub>	V <sub>EN</sub> falling		0.1		V

**Electrical Characteristics (continued)**

( $V_{IN} = V_{CC} = 2.7V$  to  $18V$ ,  $T_A = T_J = -40^\circ C$  to  $+85^\circ C$ , unless otherwise noted. Typical values are at  $V_{IN} = 12V$ ,  $R_{CB} = 25k\Omega$ , and  $T_A = +25^\circ C$ .) (Note 2)

PARAMETER	SYMBOL	CONDITIONS	MIN	TYP	MAX	UNITS	
OV, UV, $\overline{EN}$ Input Leakage Current	$I_{LEAK}$	$V_{OV} = V_{UV} = V_{\overline{EN}} = 0$ to $5V$	-1		+1	$\mu A$	
CB Source Current	$I_{THCB\_NORM}$	Power-on mode		12		$\mu A$	
<b>CURRENT LIMIT</b>							
Circuit-Breaker Accuracy (Note 3)	$I_{CB,TH}$	$V_{IN} = 12V$	$R_{CB} = 25k\Omega$	8	9	10	A
			$R_{CB} = 8.33k\Omega$	2.7	3	3.3	
Circuit-Breaker Accuracy Deviation		$R_{CB} = 8.33k\Omega$ to $25k\Omega$ , compared to nominal current-limit value	-10		+10	%	
Slow-Comparator Response Time (Note 4)	$t_{SCD}$	0.6% overcurrent		2.7		ms	
		30% overcurrent		200		$\mu s$	
Maximum Current Limit During Startup	$I_{LIM}$	(see Figure 2)		$I_{CB,TH}$		A	
Fast-Comparator Threshold	$I_{FC\_TH}$			$1.5 \times I_{CB,TH}$		A	
Fast-Comparator Response Time	$t_{FCD}$			200		ns	
Minimum CB Voltage Reference During Foldback (Note 5)	$V_{THCB\_MIN}$	$V_{IN} - V_{OUT} > 10V$ , $R_{CB} = 25k\Omega$		35		mV	
Maximum CB Voltage Reference During Foldback (Note 5)	$V_{THCB\_MAX}$	$V_{IN} - V_{OUT} < 2V$ , $R_{CB} = 25k\Omega$		150		mV	
<b>TIMING</b>							
Startup Maximum Time Duration	$t_{SU}$		43	48	53	ms	
Autorestart Delay Time	$t_{RESTART}$			3.2		s	
Time Delay Comparator High Threshold	$V_{DLY\_TH}$		1.85	2	2.15	V	
Time Delay Pullup Current	$I_{DLY}$		1.6	1.9	2.2	$\mu A$	
Output Short Detection at Startup	$t_{SHORT}$		10.8	12	13.2	ms	
<b>MOSFET</b>							
Total On-Resistance	$R_{ON}$	$T_A = +25^\circ C$		18	23	m $\Omega$	
		$T_A = -40^\circ C$ to $+85^\circ C$			27		
GATE Charge Current	$I_{GATE}$		4.56	5.7	6.84	$\mu A$	

**Electrical Characteristics (continued)**

( $V_{IN} = V_{CC} = 2.7V$  to  $18V$ ,  $T_A = T_J = -40^\circ C$  to  $+85^\circ C$ , unless otherwise noted. Typical values are at  $V_{IN} = 12V$ ,  $R_{CB} = 25k\Omega$ , and  $T_A = +25^\circ C$ .) (Note 2)

PARAMETER	SYMBOL	CONDITIONS	MIN	TYP	MAX	UNITS
<b>OUTPUTS</b>						
FAULT, PG Output Low Voltage	$V_{OL}$	Low-impedance state, $I_{FAULT} = +5mA$ , $I_{PG} = +5mA$			0.4	V
FAULT, PG Output High Leakage Current	$I_{OH}$	High-impedance state, $V_{FAULT} = 16V$ , $V_{PG} = 16V$			1	$\mu A$
<b>CURRENT REPORT</b>						
ISENSE Full-Scale Current	$I_{ISENSE}$			1.53		mA
ISENSE Gain Ratio		$I_{SENSE}/I_{OUT}$		170		$\mu A/A$
ISENSE Voltage Range	$V_{ISENSE}$	$V_{IN} = 12V$	0		2.5	V
ISENSE Offset Error	$I_{ISENSE\_OFF}$	$T_A = +25^\circ C$	-32		+32	$\mu A$
		$T_A = -40^\circ C$ to $+85^\circ C$	-45		+45	
ISENSE Gain Error	$I_{ISENSE\_ERROR}$	$T_A = +25^\circ C$	-3		+3	%
		$T_A = -40^\circ C$ to $+85^\circ C$	-5.5		+5.5	
<b>PG THRESHOLD</b>						
PG Threshold	$V_{PG}$	Measured at $V_{OUT}$ , $V_{IN} = 12V$		$0.9 \times V_{IN}$		V
PG Assertion Delay	$t_{PG}$	From $V_{OUT} > V_{PG}$ and ( $V_{GATE} - V_{IN}$ ) $> 3V$	12	16	20	ms
OUT to IN Short-Circuit Detection Threshold	$V_{IOSHT}$	Measured at $V_{OUT}$ , $V_{IN} = 12V$		$0.9 \times V_{IN}$		V
OUT Precharge Threshold	$V_{PC}$	Measured at $V_{OUT}$ , $V_{IN} = 12V$		$0.5 \times V_{IN}$		V
<b>THERMAL SHUTDOWN</b>						
Thermal Shutdown	$T_{SD}$	$T_J$ rising		+150		$^\circ C$
Thermal-Shutdown Hysteresis		$T_J$ falling		20		$^\circ C$

**Note 2:** All devices are 100% production tested at  $T_A = +25^\circ C$ . Limits over temperature are guaranteed by design.

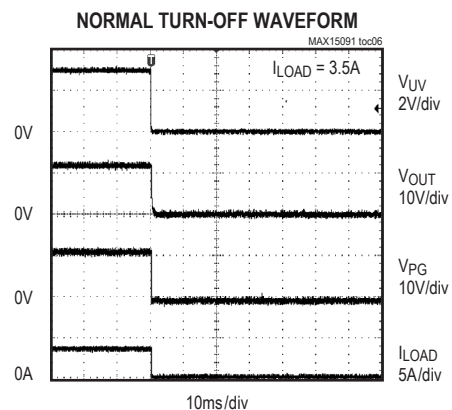
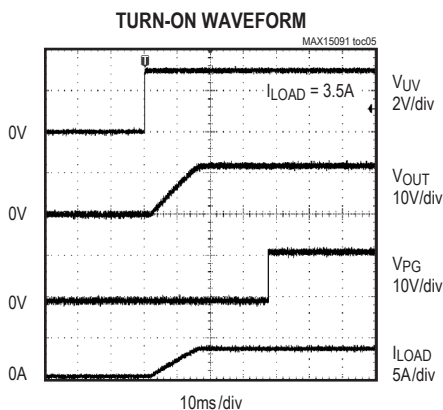
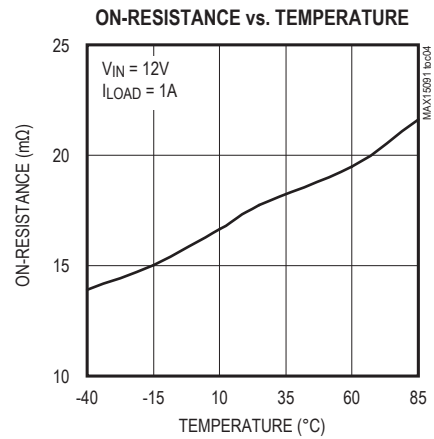
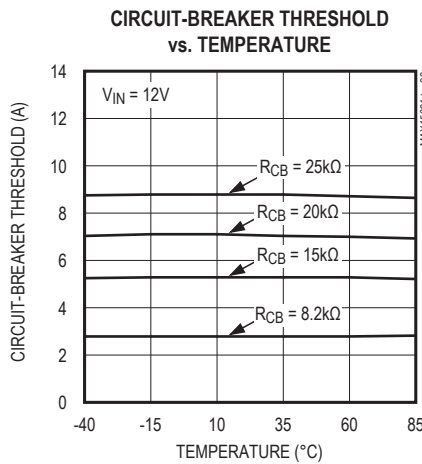
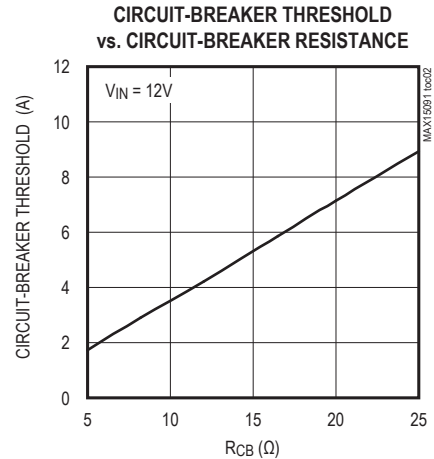
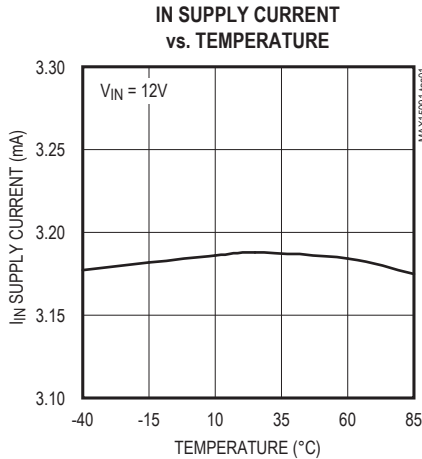
**Note 3:** 25k $\Omega$  is the maximum allowed external resistance value to be connected at CB pin to GND for safe operation. All devices are tested with 8.33k $\Omega$ , the parameter specified at  $R_{CB} = 25k\Omega$  is guaranteed by bench characterization and correlation, with respect to the tested parameter at  $R_{CB} = 8.33k\Omega$ . The formula that describes the relationship between  $R_{CB}$  and the circuit-breaker current threshold is:  $I_{CB} = R_{CB}/2777.8$ .

**Note 4:** The current-limit slow-comparator response time is weighed against the amount of overcurrent so the higher the overcurrent condition, the faster the response time.

**Note 5:** Foldback is active during the startup phase so the internal power MOSFET operates within SOA.

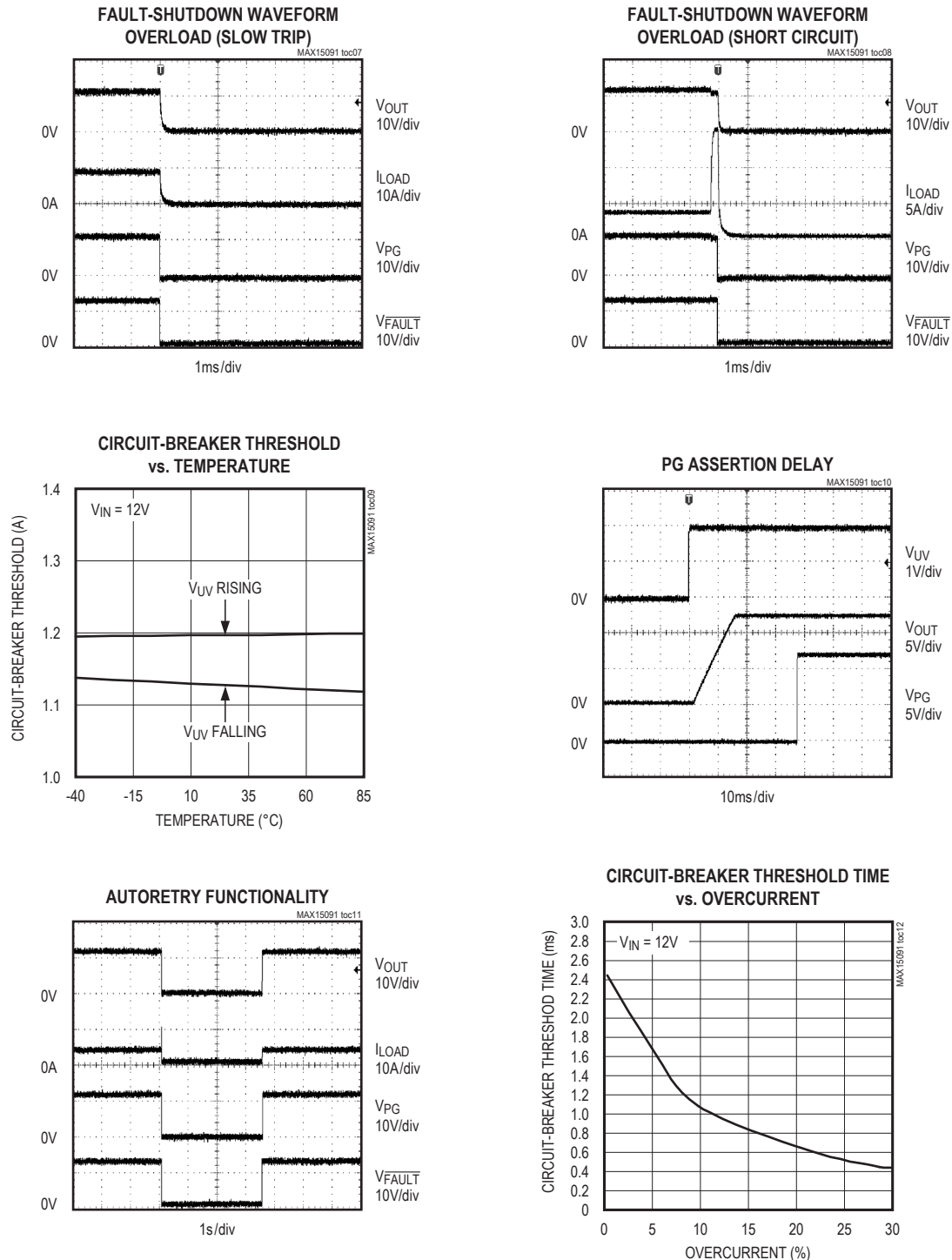
**Typical Operating Characteristics**

( $V_{IN} = V_{CC} = 2.7V$  to  $18V$ ,  $T_J = -40^{\circ}C$  to  $+85^{\circ}C$ , unless otherwise noted. Typical values are at  $V_{IN} = 12V$ ,  $R_{CB} = 25k\Omega$ , and  $T_J = +25^{\circ}C$ .) (Note 3)

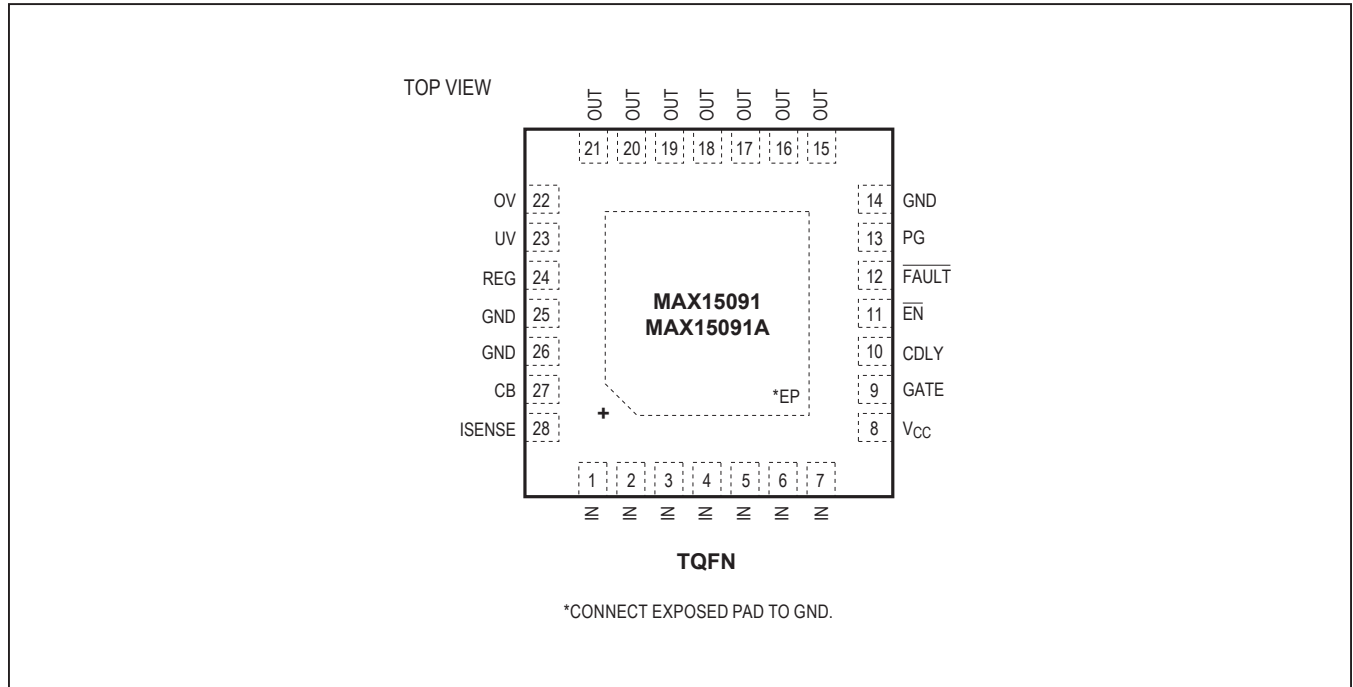


Typical Operating Characteristics (continued)

( $V_{IN} = V_{CC} = 2.7V$  to  $18V$ ,  $T_J = -40^{\circ}C$  to  $+85^{\circ}C$ , unless otherwise noted. Typical values are at  $V_{IN} = 12V$ ,  $R_{CB} = 25k\Omega$ , and  $T_J = +25^{\circ}C$ .) (Note 3)



Pin Configuration



Pin Description

PIN	NAME	FUNCTION
1–7	IN	Supply Voltage Input. IN is connected to the drain of the internal 18mΩ MOSFET. Bypass IN with a transient voltage-suppressor diode to GND for clamping inductive kick transients in the case of fast output short-circuit to GND.
8	V <sub>CC</sub>	Power-Supply Input. Connect V <sub>CC</sub> to a voltage between 2.7V and 18V. Connect a Schottky diode (or 10Ω resistor) from IN to V <sub>CC</sub> and a 1μF bypass capacitor to GND to guarantee full operation in the event V <sub>IN</sub> collapses during a strong short from OUT to GND.
9	GATE	GATE of Internal MOSFET. During startup, a 5.7μA current is sourced to enhance the internal MOSFET with a 10V/ms slew rate. Connect an external capacitance from GATE to GND to reduce the output slew rate during startup.

**Pin Description (continued)**

PIN	NAME	FUNCTION
10	CDLY	Enable Timer Input. Connect a capacitor between CDLY and GND to set a 1s/μF duration timeout delay. The $\overline{\text{EN}}$ input has to be pulled low before the timeout delay elapses, to prevent internal MOSFET shutdown after power-up.
11	$\overline{\text{EN}}$	Enable Input. Externally pulled up to logic-high state through a resistor normally connected to REG. The $\overline{\text{EN}}$ input must be pulled down (for at least 1ms) by the external circuit before a programmable timeout delay has elapsed, otherwise a shutdown occurs. The timeout timer starts counting when the internal MOSFET is turned on. Connect a capacitor between CDLY and GND to program the duration of the timeout delay. Connect $\overline{\text{EN}}$ to GND to disable this feature.
12	$\overline{\text{FAULT}}$	Fault Status Output. $\overline{\text{FAULT}}$ is an open-drain, active-low output. $\overline{\text{FAULT}}$ asserts low when an overcurrent or overtemperature condition triggers a shutdown. $\overline{\text{FAULT}}$ is disabled during startup.
13	PG	Power-Good Output. PG is an open-drain, active-high output. PG pulls low until the internal power MOSFET is fully enhanced.
14, 25, 26	GND	Ground
15–21	OUT	Load Output. Source of the internal power MOSFET.
22	OV	Overvoltage Enable Input. Pull OV high to turn off the internal MOSFET. Connect OV to an external resistive divider to set the overvoltage-disable threshold. See the <i>Setting the Overvoltage Threshold</i> section.
23	UV	Active-High Enable Comparator Input. Pulling UV high enables the internal MOSFET to turn on. UV also sets the undervoltage threshold. See the <i>Setting the Undervoltage Threshold</i> section.
24	REG	Internal Regulator Output. Bypass to ground with a 1μF capacitor. Do not power external circuitry using the REG output (except a resistor > 50kΩ connected from REG to $\overline{\text{EN}}$ ).
27	CB	Current-Limit Threshold Set. Connect a resistor from CB to GND to set the circuit-breaker threshold. Maximum value of 25kΩ can be accepted for safe operation. Having the CB pin connected to GND sets the circuit-breaker threshold at 0A.
28	ISENSE	Current-Sense Output. The ISENSE output sources a current that is proportional to the output current. Connect a resistor between ISENSE and GND to produce a scaled voltage.
—	EP	Exposed Pad. Connect EP to GND externally. Do not use EP as an electrical connection to GND. EP is internally connected to GND through a resistive path and must be connected to GND externally. To optimize power dissipation, solder the exposed pad to a large copper power plane. Do not leave EP unconnected.

**Detailed Description****Enable Logic and Undervoltage/  
Overvoltage-Lockout Threshold**

The MAX15091/MAX15091A ICs enable the output, as shown in [Table 1](#). The devices are ready to drive the output when the  $V_{CC}$  supply rises above the  $V_{UVLO}$  threshold. The devices turn on the output when  $V_{CC} > V_{UVLO}$ .

$V_{UV}$  is high ( $V_{UV} > 1.2V$ ) and  $V_{OV}$  is low ( $V_{OV} < 1.2V$ ). The devices turn off the output when  $V_{UV}$  falls below ( $1.2V - V_{UV\_HYS}$ ) or  $V_{OV}$  rises above 1.2V. An external resistive divider from IN to UV, OV, and ground provide the flexibility to set the undervoltage/overvoltage-lockout threshold to any desired level between  $V_{UVLO}$  and 18V. See [Figure 1](#) and the [Setting the Undervoltage Threshold](#) and [Setting the Overvoltage Threshold](#) sections.



**Table 1. Output Enable Truth Table**

POWER SUPPLY	PRECISION ANALOG INPUTS		OUT
V <sub>CC</sub>	UV	OV	
V <sub>CC</sub> > V <sub>UVLO</sub>	V <sub>UV</sub> > V <sub>UV_TH</sub>	V <sub>OV</sub> < V <sub>OV_TH</sub>	On
V <sub>CC</sub> < V <sub>UVLO</sub>	X	X	Off
X	V <sub>UV</sub> < (V <sub>UV_TH</sub> - V <sub>UV_HYS</sub> )	X	Off
X	X	V <sub>OV</sub> > V <sub>OV_TH</sub>	Off

X = Don't care.

V<sub>UV\_TH</sub> and V<sub>OV\_TH</sub> = 1.2V (typ).

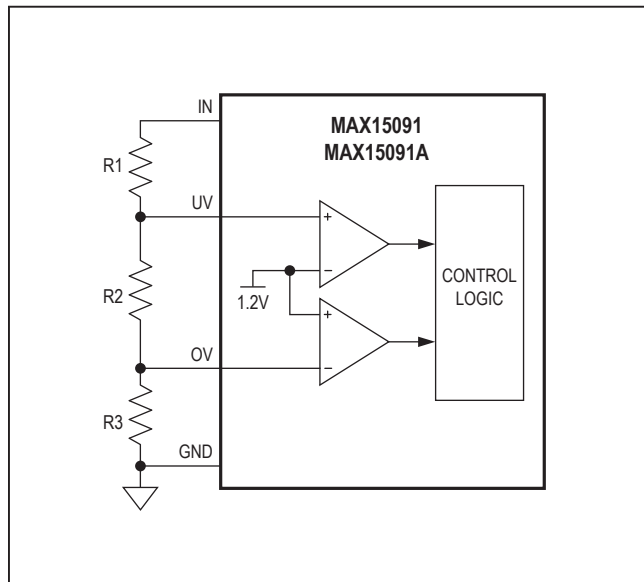


Figure 1. Undervoltage/Overvoltage-Threshold Setting

**Startup**

Once the device output is enabled, the device provides controlled application of power to the load. The voltage at OUT begins to rise at approximately 10V/ms default until the programmed circuit-breaker current level is reached, while the devices actively limit the inrush current at the circuit-breaker setting. An external capacitor connected to the GATE pin allows the user to program the slew rate to a value lower than the default. The inrush current can be programmed by selecting the appropriate value of R<sub>CB</sub>. During startup, a foldback current limit is active to protect the internal MOSFET to operate within the SOA (Figure 2).

An internal 48ms timer starts counting when the devices enter the startup phase. The devices complete the startup phase and enter normal operation mode if the voltage at OUT rises above the precharge threshold (0.9 x V<sub>IN</sub>) and (V<sub>GATE</sub> - V<sub>OUT</sub>) > 3V. An open-drain power-good output (PG) goes high-impedance 16ms after the startup successfully completes.

The thermal-protection circuit is always active and the internal MOSFET immediately turned off when the thermal-shutdown threshold condition is reached.

**VariableSpeed/BiLevel Fault Protection**

VariableSpeed/BiLevel fault protection incorporates comparators with different thresholds and response times to monitor the load current (Figure 3). Protection is provided in normal operation (after the startup period has expired) by discharging the MOSFET gate in response to a fault condition. During a fault condition, the MAX15091A enters autoretry mode, while the MAX15091 latches off (see the [Autoretry and Latch-Off Fault Management](#) section).

**Enable Input ( $\overline{EN}$ )**

After a startup phase is successfully completed and the power-good output asserted, the  $\overline{EN}$  input has to be pulled low (for at least 1ms) before the t<sub>DLY</sub> delay elapses. If the  $\overline{EN}$  input is not pulled low before the t<sub>DLY</sub> elapses, then the devices turn off the internal MOSFET immediately and a new cycle is required for entering power-up mode. Connect a capacitor between CDLY and GND to set a 1s/μF duration timeout delay. If this function is not implemented, connect  $\overline{EN}$  to GND for proper operation.

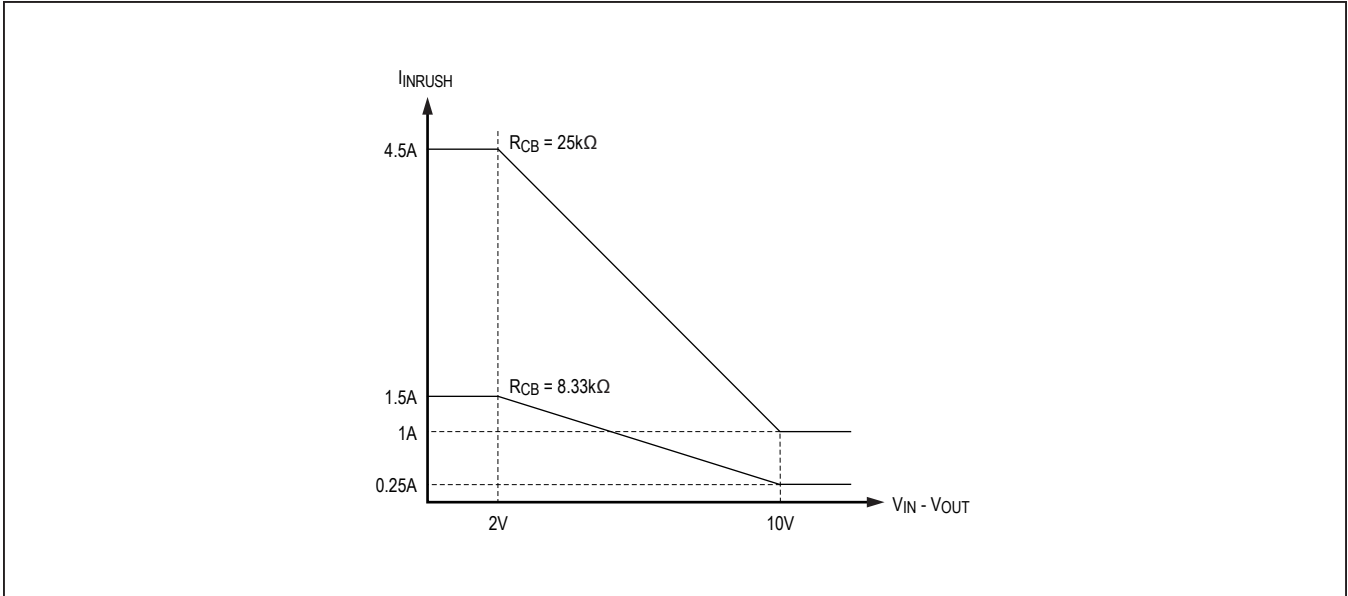


Figure 2. Startup Inrush Current Foldback Characteristics

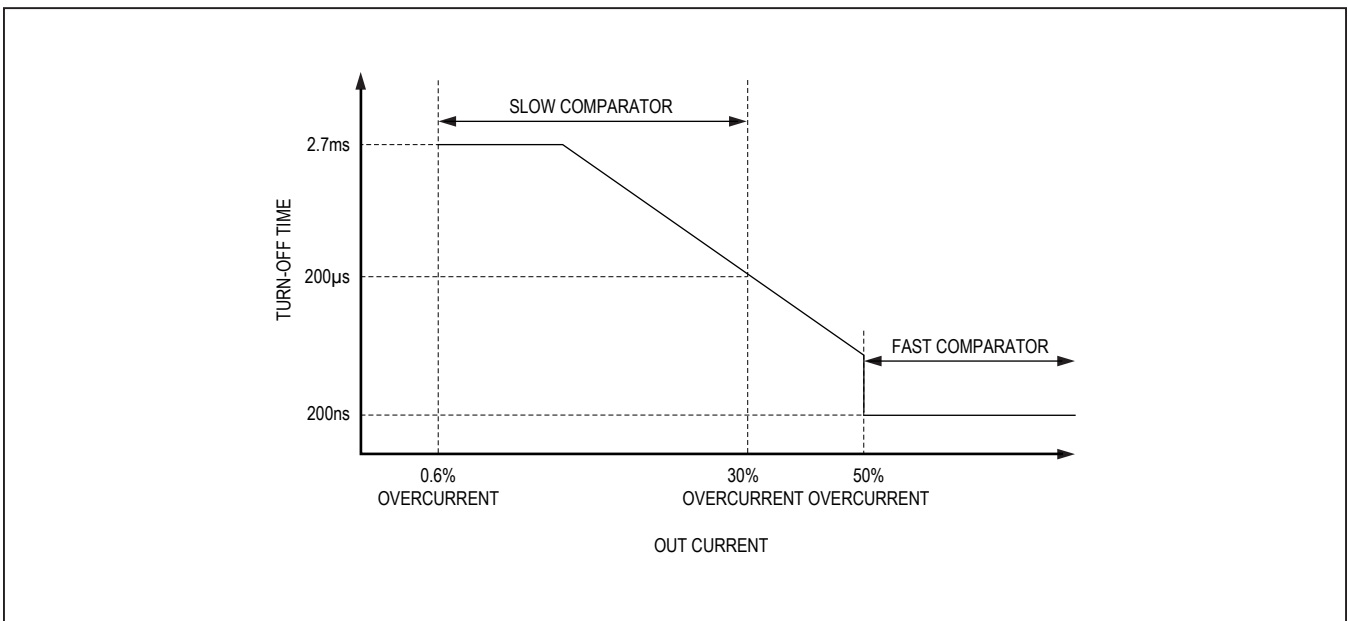


Figure 3. VariableSpeed/BiLevel Response

### Charge Pump

An integrated charge pump provides the gate-drive voltage for the internal power MOSFET. The charge pump generates the proper gate drive voltage above  $V_{IN}$  to fully enhance the internal power MOSFET and guarantee low  $R_{ON}$  operation during normal state conditions.

During startup, the internal charge pump drives the GATE of the MOSFET with a fixed  $5.7\mu\text{A}$  current to enhance the internal MOSFET with  $10\text{V/ms}$  slew rate (typ). Connect an external capacitor ( $C_{GATE}$ ) from GATE to GND to reduce the output slew rate during startup.  $C_{GATE}$  can be calculated according to the following formula:

$$C_{GATE} = (I_{GATE} \times \Delta t) / \Delta V_{GATE}$$

where  $I_{GATE}$  is  $5.7\mu\text{A}$  (typ),  $\Delta t$  is the desired slew-rate time, and  $\Delta V_{GATE}$  is the voltage at the gate of the internal MOSFET at turn-on.

The slew rate of the OUT pin during startup can be controlled by  $I_{GATE}/C_{GATE}$  under light-load driving conditions, or by the limited inrush current and the external capacitive load, whichever is less.

$$(\Delta V_{OUT}/\Delta t) = I_{LIM}/C_{LOAD}$$

### Circuit-Breaker Comparator and Current Limit

The current that passes through the internal power MOSFET is compared to a circuit-breaker threshold. An external resistor between CB and GND sets this threshold according to the following formula:

$$I_{CB} = R_{CB}/2777.8$$

where  $I_{CB}$  is in amps and  $R_{CB}$  (the resistor between CB and GND) is in ohms.

The circuit-breaker comparator is designed so the load current can exceed the threshold for some amount of time before tripping. The time delay varies inversely with the overdrive above the threshold. The greater the over-current condition, the faster the response time, allowing the devices to tolerate load transients and noise near the circuit-breaker threshold. The maximum allowed external resistor value is  $25\text{k}\Omega$ , which corresponds to a 9A CB threshold setting. Programming the CB threshold to a value higher than 9A could cause unsafe operating conditions, resulting in damage to the devices.

The devices also feature catastrophic short-circuit protection. During normal operation, if OUT is shorted directly to GND, a fast protection circuit forces the gate of the internal MOSFET to discharge quickly and disconnect the output from the input.

### Autoretry and Latch-Off Fault Management

During a fault condition, the devices turn off the internal MOSFET, disconnecting the output from the input. The MAX15091A enters autoretry mode and restarts after a  $t_{RESTART}$  time delay has elapsed. The MAX15091 latches off and remains off until the enable logic is cycled off and on after a  $t_{RESTART}$  delay. The delay prevents the latch-off device to restart and operate with an unsafe power-dissipation duty cycle.

### Fault-Status Output ( $\overline{\text{FAULT}}$ )

$\overline{\text{FAULT}}$  is an open-drain output that asserts low when a current-limit or an overtemperature-fault shutdown occurs.  $\overline{\text{FAULT}}$  remains low until the next startup cycle.  $\overline{\text{FAULT}}$  is capable of sinking up to  $5\text{mA}$  current when asserted.

### Power-Good (PG) Delay

The devices feature an open-drain, power-good output that asserts after a  $t_{PG}$  delay, indicating that the OUT voltage has reached  $(0.9 \times V_{IN})$  voltage and  $(V_{GATE} - V_{OUT}) > 3\text{V}$ .

### Internal Regulator Output (REG)

The devices include a linear regulator that outputs  $3.3\text{V}$  at REG. REG provides power to the internal circuit blocks of the devices and must not be loaded externally (except for a resistor  $> 50\text{k}\Omega$  connected from REG to  $\overline{\text{EN}}$ ). REG requires at least a  $1\mu\text{F}$  capacitor to ground for proper operation.

### Current Report Output (ISENSE)

The ISENSE pin is the output of an accurate current-sense amplifier and provides a source current that is proportional to the load current flowing into the main switch. The factory-trimmed current ratio is set to  $170\mu\text{A/A}$ . This produces a scaled voltage by connecting a resistor between ISENSE and ground. This voltage signal then goes to an ADC and provides digitized information of the current supplied to the powered system.

### Thermal Protection

The devices enter a thermal-shutdown mode in the event of overheating caused by excessive power dissipation or high ambient temperature. When the junction temperature exceeds  $T_J = +150^\circ\text{C}$  (typ), the internal thermal-protection circuitry turns off the internal power MOSFET. The devices recover from thermal-shutdown mode once the junction temperature drops by  $20^\circ\text{C}$  (typ).

### IN to OUT Short-Circuit Protection

At startup, after all the input conditions are satisfied (UV, OV,  $V_{UVLO}$ ), the devices immediately check for an IN to OUT short-circuit fault. If  $V_{OUT}$  is greater than 90% of  $V_{IN}$ , the internal MOSFET cannot be turned on so  $\overline{\text{FAULT}}$  is asserted and the MAX15091A enters autoretry mode in 3.2s, while the MAX15091 latches off.

If  $V_{OUT}$  is lower than 90% of  $V_{IN}$  but greater than 50% of  $V_{IN}$ , the internal MOSFET still cannot be turned on. No fault is asserted and the MOSFET can turn on as soon as  $V_{OUT}$  is lower than 50% of  $V_{IN}$ .

## Applications Information

### Setting the Undervoltage Threshold

The devices feature an independent on/off control (UV) for the internal MOSFET. The devices operate with a 2.7V to 18V input voltage range and have a default 2.5V (typ) undervoltage-lockout threshold.

The internal MOSFET remains off as long as  $V_{CC} < 2.5\text{V}$  or  $V_{UV} < V_{UV\_TH}$ . The undervoltage-lockout threshold is programmable using a resistive divider from IN to UV, OV, and GND (Figure 1). When  $V_{CC}$  is greater than 2.7V and  $V_{UV}$  exceeds the 1.2V (typ) threshold, the internal MOSFET turns on and goes into normal operation. Use

the following equation to calculate the resistor values for the desired undervoltage threshold:

$$R1 = \left( \frac{V_{IN}}{V_{UV\_TH}} - 1 \right) \times (R2 + R3)$$

where  $V_{IN}$  is the desired turn-on voltage for the output and  $V_{UV\_TH}$  is 1.2V. R1 and (R2 + R3) create a resistive divider from IN to UV. During normal operating conditions,  $V_{UV}$  must remain above its 1.2V (typ) threshold. If  $V_{UV}$  falls 100mV ( $V_{UV\_HYS}$ ) below the threshold, the internal MOSFET turns off, disconnecting the load from the input.

### Setting the Overvoltage Threshold

The devices also feature an independent overvoltage-enable control (OV) for the internal MOSFET.

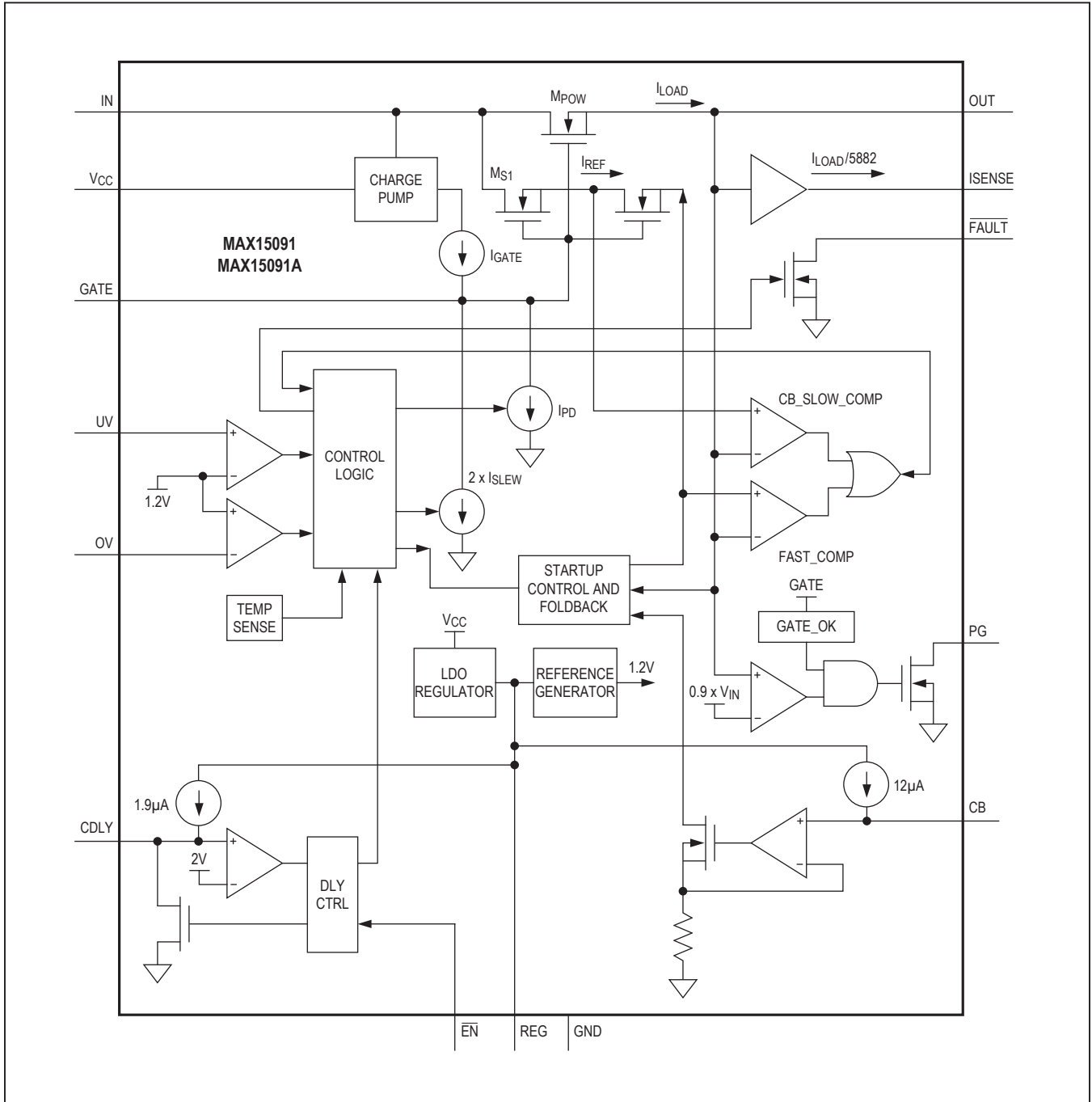
When  $V_{OV}$  exceeds the 1.2V (typ) threshold, the internal MOSFET turns off.

The overvoltage-lockout threshold is programmable using a resistive divider from IN to UV, OV, and GND (Figure 1). Use the following equation to calculate the resistor values for the desired overvoltage threshold:

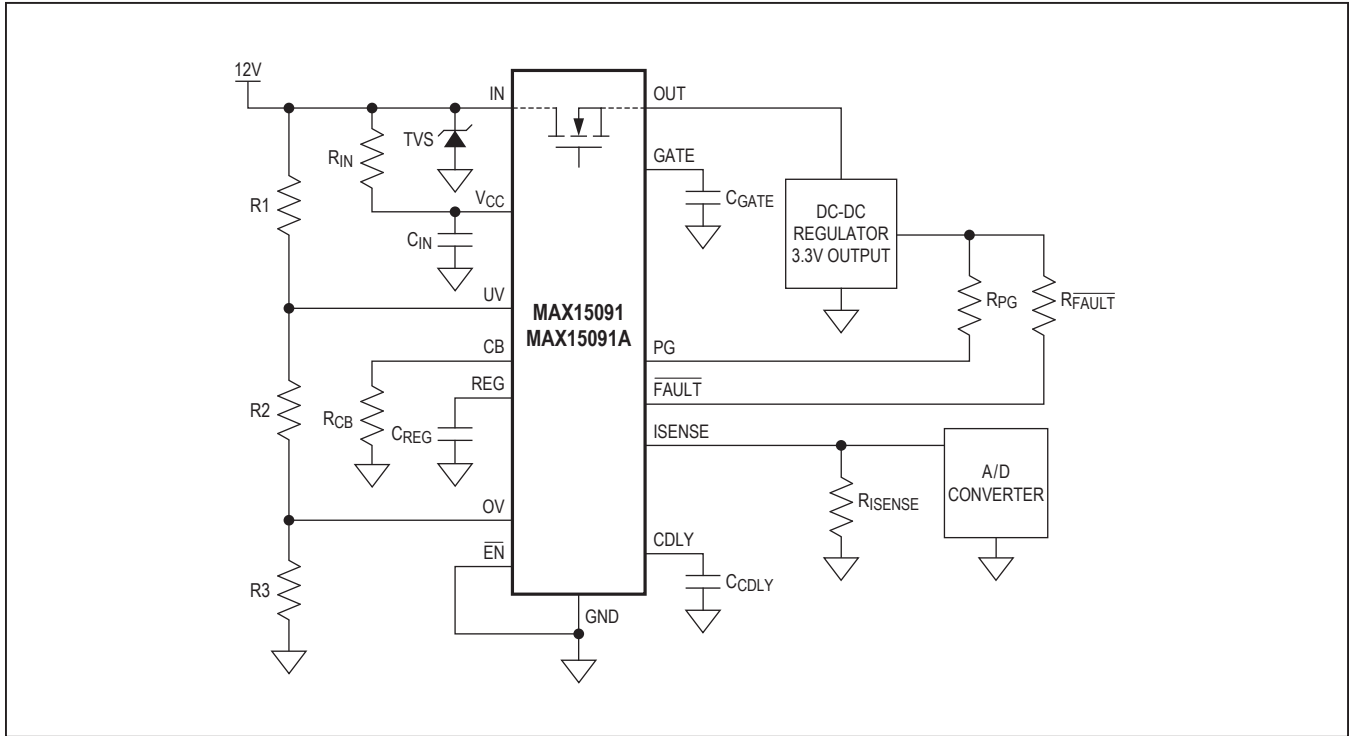
$$(R1 + R2) = \left( \frac{V_{IN}}{V_{OV\_TH}} - 1 \right) \times R3$$

where  $V_{IN}$  is the desired turn-off voltage for the output and  $V_{OV\_TH}$  is 1.2V. R1 and (R2 + R3) create a resistive divider from IN to OV. During normal operating conditions,  $V_{OV}$  must remain below its 1.2V (typ) threshold. If  $V_{OV}$  rises above the  $V_{OV\_TH}$  threshold, the internal MOSFET turns off and disconnects the load from the input.

Functional Diagram



Typical Application Circuit



Ordering Information

PART	TEMP RANGE	PIN-PACKAGE	FAULT MANAGEMENT
MAX15091ETI+	-40°C to +85°C	28 TQFN-EP*	Latched Off
MAX15091AETI+	-40°C to +85°C	28 TQFN-EP*	Autoretry

+Denotes a lead(Pb)-free/RoHS-compliant package.  
\*EP = Exposed pad.

Package Information

For the latest package outline information and land patterns (footprints), go to [www.maximintegrated.com/packages](http://www.maximintegrated.com/packages). Note that a "+", "#", or "-" in the package code indicates RoHS status only. Package drawings may show a different suffix character, but the drawing pertains to the package regardless of RoHS status.

PACKAGE TYPE	PACKAGE CODE	OUTLINE NO.	LAND PATTERN NO.
28 TQFN	T2855+8	<a href="#">21-0140</a>	<a href="#">90-0028</a>

Chip Information

PROCESS: BiCMOS

## Revision History

REVISION NUMBER	REVISION DATE	DESCRIPTION	PAGES CHANGED
0	3/13	Initial release	—
1	9/13	Removed future product marking from MAX15091A	14
2	1/15	Updated <i>Benefits and Features</i> section	1

For pricing, delivery, and ordering information, please contact Maxim Direct at 1-888-629-4642, or visit Maxim Integrated's website at [www.maximintegrated.com](http://www.maximintegrated.com).

*Maxim Integrated cannot assume responsibility for use of any circuitry other than circuitry entirely embodied in a Maxim Integrated product. No circuit patent licenses are implied. Maxim Integrated reserves the right to change the circuitry and specifications without notice at any time. The parametric values (min and max limits) shown in the Electrical Characteristics table are guaranteed. Other parametric values quoted in this data sheet are provided for guidance.*







Компания «Life Electronics» занимается поставками электронных компонентов импортного и отечественного производства от производителей и со складов крупных дистрибьюторов Европы, Америки и Азии.

С конца 2013 года компания активно расширяет линейку поставок компонентов по направлению коаксиальный кабель, кварцевые генераторы и конденсаторы (керамические, пленочные, электролитические), за счёт заключения дистрибьюторских договоров

Мы предлагаем:

- Конкурентоспособные цены и скидки постоянным клиентам.
- Специальные условия для постоянных клиентов.
- Подбор аналогов.
- Поставку компонентов в любых объемах, удовлетворяющих вашим потребностям.
- Приемлемые сроки поставки, возможна ускоренная поставка.
- Доставку товара в любую точку России и стран СНГ.
- Комплексную поставку.
- Работу по проектам и поставку образцов.
- Формирование склада под заказчика.
- Сертификаты соответствия на поставляемую продукцию (по желанию клиента).
- Тестирование поставляемой продукции.
- Поставку компонентов, требующих военную и космическую приемку.
- Входной контроль качества.
- Наличие сертификата ISO.

В составе нашей компании организован Конструкторский отдел, призванный помогать разработчикам, и инженерам.

Конструкторский отдел помогает осуществить:

- Регистрацию проекта у производителя компонентов.
- Техническую поддержку проекта.
- Защиту от снятия компонента с производства.
- Оценку стоимости проекта по компонентам.
- Изготовление тестовой платы монтаж и пусконаладочные работы.



Тел: +7 (812) 336 43 04 (многоканальный)  
Email: [org@lifeelectronics.ru](mailto:org@lifeelectronics.ru)