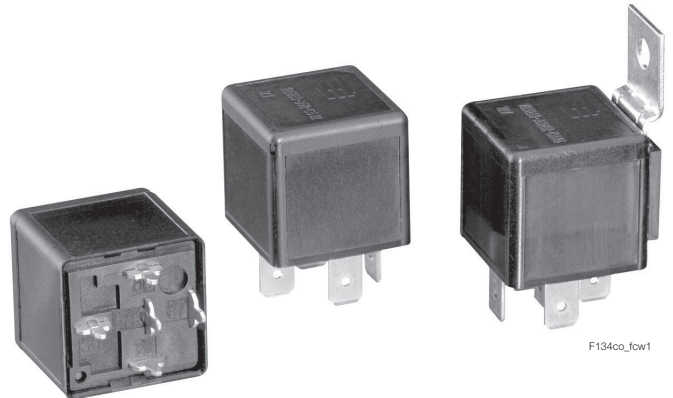


Power Relay F4

- Pin assignment similar to ISO 7588 part 1
- Plug-in or PCB terminals
- Also available for 42VDC applications

Customized versions on request

- 24VDC versions with contact gap >0.8mm
- Integrated components (e.g. resistor, diode)
- Customized marking/color
- Special covers (e.g. notches, release features, brackets)
- Various contact arrangements and materials
- For latching (bistable) version refer to Power Relay F7 A Latching or Mini Relay Latching
- For shrouded/weatherproof dust cover versions refer to Shrouded Power Relay F4 A and VF4 A



F134co_fow1

Typical applications

Cross carline up to 40A for example: ABS control, blower fans, car alarm, cooling fan, Electric Power Steering, energy management, engine control, fuel pump, heated front screen, lamps: front, rear, fog light, main switch/supply relay, valves, wiper control.

Contact Data

| Contact arrangement | 1 form A, 1 NO/1 NO (2x87) | | 1 form U, 2 NO | | 1 form C, 1 CO | | |
|--|---|--------------------------------|---|----------------------------------|---|-------------------------------------|---|
| Contact gap | | | | | >0.8mm | | |
| Rated voltage | 12VDC | 24VDC | 12VDC | 24VDC | 12VDC | 24VDC | 24VDC ¹⁾ |
| Limiting continuous current | NO | NO | NO | NO | NO/NC | NO/NC | NO/NC |
| 23°C | 60A | 60A | 2x32A | 2x32A | 60/45A | 60/45A | 60/45A |
| 85°C | 40A | 40A | 2x25A | 2x25A | 40/30A | 40/30A | 40/30A |
| 125°C | 17A | 17A | 2x11A | 2x11A | 17/12A | 17/12A | 17/12A |
| Limiting making current ²⁾ | | | | | | | |
| NO/NC | 120A | 120A | 2x100A | 2x100A | 120/45A | 120/45A | 120/45A |
| Limiting breaking current | | | | | | | |
| NO/NC | 60A | 20A | 2x40A | 2x15A | 60/40A | 20/15A | 30/20A |
| Limiting short-time current overload current, ISO 8820-3 ³⁾ : | | | | | | | |
| | 1.35 x 40A, 1800s 2.00 x 40A, 5s 3.50 x 40A, 0.5s 6.00 x 40A, 0.1s | | 1.35 x 40A, 1800s 2.00 x 40A, 5s 3.50 x 40A, 0.5s 6.00 x 40A, 0.1s | | 1.35 x 40A, 1800s 2.00 x 40A, 5s 3.50 x 40A, 0.5s 6.00 x 40A, 0.1s | | |
| Jump start test ISO 16750-1 | 24VDC for 5min conducting nominal current at 23°C | | | | | | |
| Contact material | silver based | | | | | | |
| Min. recommended contact load ⁴⁾ | 1A at 5VDC | | | | | | |
| Initial voltage drop | | | | | | | |
| NO contact at 10A, typ./max. | 15/200mV | 15/200mV | 2x15/200mV | 2x15/200mV | 15/200mV | 15/200mV | 15/200mV |
| NC contact at 10A, typ./max. | | | | | 20/250mV | 20/250mV | 20/250mV |
| Frequency of operation at nominal load | 6 ops./min (0.1Hz) | | | | | | |
| Operate/release time typ. | 7/2ms ⁵⁾ | | | | | | |
| Electrical endurance | | | | | | | |
| resistive load at 14VDC | >2x10 ⁵ ops. 40A | — | >2x10 ⁵ ops. 2x25A | — | >2x10 ⁵ ops. 40A (NO) | — | — |
| resistive load at 28VDC | — | >1x10 ⁵ ops. 20A | — | >1x10 ⁵ ops. 2x15A | — | >1x10 ⁵ ops. 20A (NO) | 1x10 ⁵ ops. 30A (NO) >5x10 ⁵ ops. 10A (NC) |
| Mechanical endurance | | | | | | | |
| DC coil | >1x10 ⁷ ops. | | | | | | |

1) Special high performance 24VDC version with contact gap >0.8mm.

2) The values apply to a resistive or inductive load with suitable spark suppression and at maximum 14VDC for 12VDC or 28VDC for 24VDC load voltages. For a load current duration of maximum 3s for a make/break ratio of 1:10.

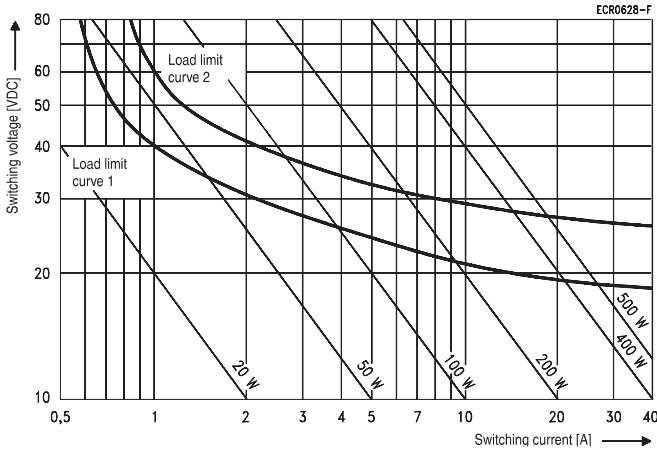
3) Current and time are compatible with circuit protection by a typical automotive fuse. Relay will make, carry and break the specified current.

4) See chapter Diagnostics of Relays in our Application Notes or consult the internet at <http://relays.te.com/appnotes/>

5) For unsuppressed relay coil. A low resistive suppression device in parallel to the relay coil increases the release time and reduces the lifetime caused by increased erosion and/or higher risk of contact tack welding.

Power Relay F4 (Continued)

Max. load DC breaking capacity



Load limit curve 1: arc extinguishes during transit time (CO contact).
Load limit curve 2: safe shutdown, no stationary arc (NO contact).
Load limit curves measured with low inductive resistors verified for 1000 switching events.

Coil Data

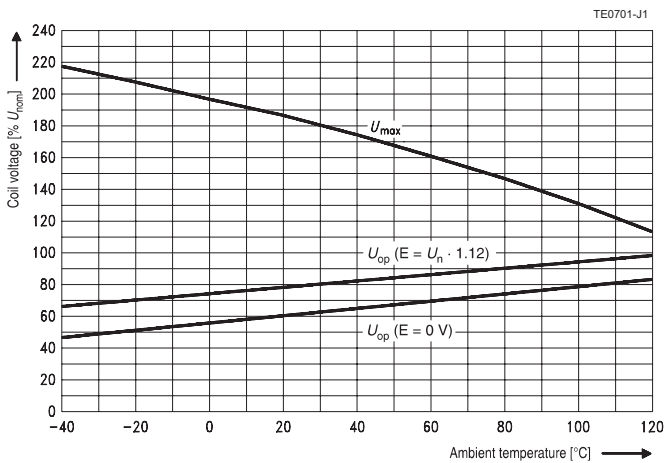
| | |
|--------------------|----------|
| Rated coil voltage | 12/24VDC |
|--------------------|----------|

Coil versions, DC coil

| Coil code | Rated voltage VDC | Operate voltage VDC | Release voltage VDC | Coil resistance ⁽⁶⁾ Ω ±10% | Rated coil power ⁽⁶⁾ W |
|-----------|-------------------|---------------------|---------------------|---------------------------------------|-----------------------------------|
| 052 | 12 | 7.2 | 1.6 | 90 | 1.6 |
| 053 | 24 | 14.4 | 3.2 | 324 | 1.8 |
| 056 | 24 | 16 | 4 | 268 | 2.1 |

All figures are given for coil without pre-energization, at ambient temperature +23°C.

Coil operating range



Does not take into account the temperature rise due to the contact current E=pre-energization..

6) Without components in parallel.

Insulation Data

| | |
|----------------------------------|---------------------|
| Initial dielectric strength | |
| between open contacts | 500V _{rms} |
| between contact and coil | 500V _{rms} |
| between adjacent contacts | 500V _{rms} |
| Load dump test | |
| ISO 7637-1 (12VDC), test pulse 5 | Vs=+86.5VDC |
| ISO 7637-2 (24VDC), test pulse 5 | Vs=+200VDC |

Other Data

| | |
|--|--|
| EU RoHS/ELV compliance | compliant |
| Ambient temperature DC coil | -40 to +125°C |
| Protection to heat and fire | UL94-HB or better ⁽⁷⁾ |
| Climatic cycling with condensation | |
| EN ISO 6988 | 6 cycles, storage 8/16h |
| Temperature cycling | |
| IEC 60068-2-14, Nb | 10 cycles, -40/+85°C (5°C/min) |
| Damp heat cyclic | |
| IEC 60068-2-30, Db, Variant 1 | 6 cycles, upper air temp. 55°C |
| Damp heat constant | |
| IEC 60068-2-3, Ca | 56 days |
| Category of environmental protection, IEC 61810 | RTI – dustproof, RT III – sealed |
| Degree of protection, IEC 60529 | IP54 (dustproof), IP67 (sealed) |
| Corrosive gas | |
| IEC 60068-2-42 | 10±2cm ³ /m ³ SO ₂ , 10 days |
| IEC 60068-2-43 | 1±0.3cm ³ /m ³ H ₂ S, 10 days |
| Vibration resistance (functional) | |
| IEC 60068-2-6 (sine sweep) | 10 to 500Hz >5g ⁽⁸⁾ |
| Shock resistance (functional) | |
| IEC 60068-2-27 (half sine) | 11ms >20g ⁽⁹⁾ |
| Drop test, free fall | |
| IEC 60068-2-32 | 1m onto concrete |
| Terminal type | plug-in, QC/PCB |
| Cover retention | |
| axial force | 150N |
| pull force | 150N |
| push force | 150N |
| Terminal retention | |
| pull force | 100N |
| push force | 100N |
| resistance to bending, force applied to front ⁽⁹⁾ | 10N |
| resistance to bending, force applied to side ⁽⁹⁾ | 10N |
| torque | 0.3Nm |
| Weight | approx. 35g (1.2oz) |
| Packaging unit | |
| plug-in/PCB | 315 pcs. |
| plug-in with bracket | 200 pcs. |

7) Refers to used materials.

8) No change in the switching state >10µs. Valid for NC contacts, NO contact values significantly higher.

9) Values apply 2mm from the end of the terminal. When the force is removed, the terminal must not have moved by more than 0.3mm.

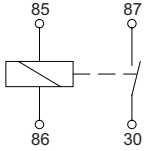
Accessories

For details see datasheet Connectors for Mini ISO Relays

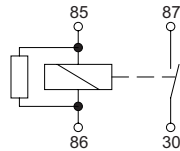
Power Relay F4 (Continued)

Terminal Assignment

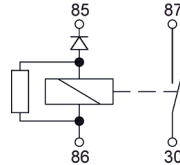
NO
1 form A, 1 NO



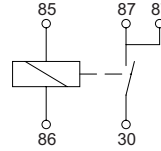
NOR
1 form A, 1 NO
with resistor



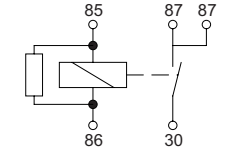
NOR_SD
1 form A, 1 NO
with resistor & serial diode



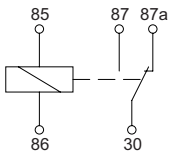
NOR_2x87
1 form A, 1 NO (2x87)



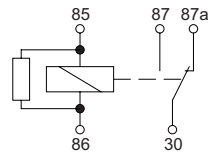
NOR_2x87
1 form A, 1 NO (2x87)
with resistor



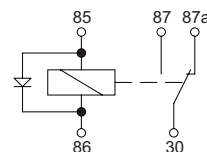
CO
1 form C, 1 CO



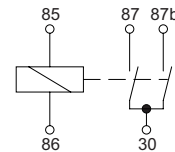
COR
1 form C, 1 CO
with resistor



COD
1 form C, 1 CO
with diode



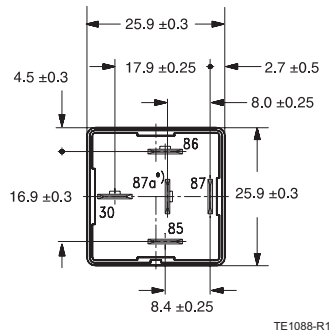
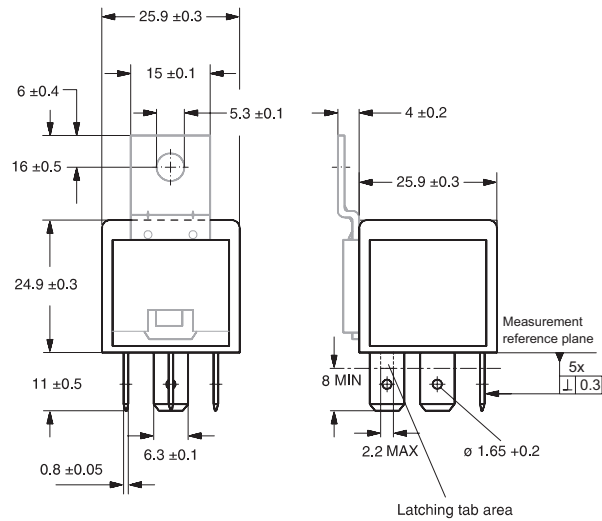
DNO
1 form U, 2 NO



Dimensions

Power Relay F4 with quick connect (QC) terminals

View of the terminals (bottom view)



TE1088-R1

For the make contact (2x87), pin 87a = 87;
for the double make contact, pin 87a = 87b.

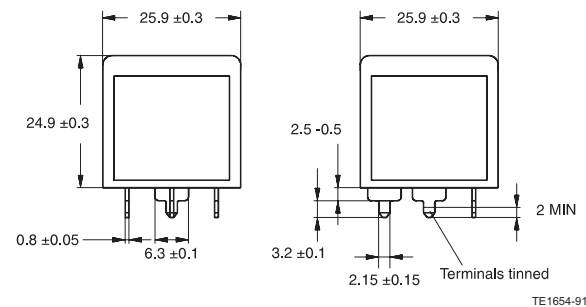
Quick connect terminal similar to ISO 8092-1

TE1093-S1

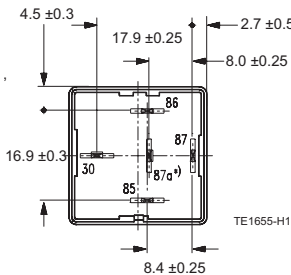
Power Relay F4 with PCB terminals

View of the terminals (bottom view)

Mounting hole layout (bottom view)

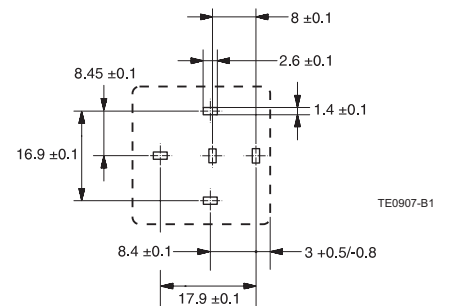


TE1654-91



TE1655-H1

For the make contact (2x87), pin 87a = 87;
for the double make contact, pin 87a = 87b.



TE0907-B1

Power Relay F4 (Continued)

| | | | | | | | | |
|-------------------------------|----------------------------------|----------------------|----------------------------|---------------|-----------|----------|------------|--------------|
| Product code structure | | Typical product code | | V23134 | -A | 0 | 052 | -C642 |
| Type | | | | | | | | |
| V23134 Power Relay F4 | | | | | | | | |
| Contact arrangement | | | | | | | | |
| A | 1 form C, 1 CO | C | 1 form A, 1 NO (2x87) | | | | | |
| B | 1 form A, 1 NO | K | 1 form A, 1 NO (non ISO) | | | | | |
| M | 1 form U, 2 NO | | | | | | | |
| Cover | | | | | | | | |
| 0 | Standard | 1 | Bracket at terminal 30 ISO | | | | | |
| 2 | Bracket at terminal 86 ISO | | | | | | | |
| Coil | | | | | | | | |
| 052 | 12VDC | 053 | 24VDC | | | | | |
| 056 | 24VDC (contact gap >0.8mm) | | | | | | | |
| Terminal/arrangement | | | | | | | | |
| C642 | Plug-in/NO | C643 | Plug-in/CO | | | | | |
| G242 | PCB/NO | G243 | PCB/CO | | | | | |
| Xnnn | Customized (nnn: version number) | | | | | | | |

Production in Europe (only)

| Product code | Arrangement | Version | Coil suppr. | Circuit ¹⁾ | Coil | Contact mat. | Terminals | Part number |
|-----------------------------------|-----------------------|----------|----------------|-----------------------|-------|--------------|---------------------|-------------|
| V23134-A0052-C643 | 1 form C, 1 CO | Standard | | CO | 12VDC | Silver based | Plug-in, QC | 2-1393302-2 |
| V23134-A0052-G243 | | | | | | | PCB | 2-1393302-3 |
| V23134-A0052-X278 | | | R 560Ω | COR | | | Plug-in, QC | 4-1393302-1 |
| V23134-A0053-C643 | | | | CO | 24VDC | | | 5-1393302-1 |
| V23134-A0053-G243 | | | | | | | PCB | 5-1393302-2 |
| V23134-A0056-X432 ²⁾ | | | D (cathode 86) | COD | | | Plug-in, QC | 1-1414167-0 |
| V23134-A0056-X433 ²⁾ | | | R 1200Ω | COR | | | | 1-1414168-0 |
| V23134-A1052-C643 | | Bracket | | CO | 12VDC | | | 5-1393302-8 |
| V23134-A1052-X294 ⁴⁾ | | | R 560Ω | COR | | | | 6-1393302-0 |
| V23134-A1053-C643 | | | | CO | 24VDC | | | 6-1393302-3 |
| V23134-A1053-X295 ⁴⁾ | | | R 1200Ω | COR | | | | 6-1393302-4 |
| V23134-B0052-C642 | 1 form A, 1 NO | Standard | | NO | 12VDC | | | 7-1393302-5 |
| V23134-B0052-G242 | | | | | | | PCB | 7-1393302-7 |
| V23134-B0052-X270 ⁶⁾ | | | R 680Ω | NOR | | | Plug-in, QC | 1-1414099-0 |
| V23134-B0052-X506 | | | R 560Ω | NOR_SD ³⁾ | | | | 4-1414992-3 |
| V23134-B0053-C642 | | | | NO | 24VDC | | | 1393303-9 |
| V23134-B0053-G242 | | | | | | | PCB | 1-1393303-0 |
| V23134-B1052-C642 | | Bracket | | | 12VDC | | Plug-in, QC | 3-1393303-4 |
| V23134-B1053-C642 | | | | | 24VDC | | | 3-1393303-7 |
| V23134-B1053-X296 ⁴⁾ | | | R 1200Ω | NOR | | | | 3-1393303-8 |
| V23134-C0052-C642 | 1 form A, 1 NO (2x87) | Standard | | NO_2x87 | 12VDC | | | 3-1393303-9 |
| V23134-C0053-C642 | | | | | 24VDC | | | 4-1393303-4 |
| V23134-C1052-C642 | | Bracket | | | 12VDC | | | 4-1393303-7 |
| V23134-C1052-X280 ⁴⁾⁵⁾ | | | R 560Ω | NOR_2x87 | | | | 4-1393303-8 |
| V23134-C1053-C642 | | | | NO_2x87 | 24VDC | | | 5-1393303-0 |
| V23134-K1052-X399 | 1 form A, 1 NO | | R 560Ω | NOR non ISO | 12VDC | | Plug-in, QC/non ISO | 1-1393305-1 |
| V23134-M0052-C642 | 1 form U, 2 NO | Standard | | DNO | | | Plug-in, QC | 5-1393304-6 |
| V23134-M0052-G242 | | | | | | | PCB | 5-1393304-7 |
| V23134-M0053-C642 | | | | | 24VDC | | Plug-in, QC | 6-1393304-7 |
| V23134-M0053-G242 | | | | | | | PCB | 6-1393304-8 |
| V23134-M1052-C642 | | Bracket | | | 12VDC | | Plug-in, QC | 7-1393304-1 |
| V23134-M1053-C642 | | | | | 24VDC | | | 7-1393304-4 |

- 1) See terminal assignment diagrams. 4) No hole in terminal 30.
 2) Special feature: contact gap >0.8mm. 5) No hole in terminal 87a.
 3) Serial diode. 6) No holes in all terminals.

Other types on request.

This list represents the most common types and does not show all variants covered by this datasheet.

Production in Asia (only)

| Product code | Arrangement | Version | Coil suppr. | Circuit ¹⁾ | Coil | Contact mat. | Terminals | Part number |
|---------------------------------|----------------|----------|-------------|-----------------------|-------|--------------|-------------|-------------|
| V23134-B0052-C642 | 1 form A, 1 NO | Standard | | NO | 12VDC | Silver based | Plug-in, QC | 7-1904094-0 |
| V23134-B0052-X270 ²⁾ | | | R 680Ω | NOR | | | | 7-1904094-1 |
| V23134-B0053-C642 | | | | NO | 24VDC | | | 7-1904094-5 |

- 1) See terminal assignment diagrams.

- 2) No holes in all terminals.

Other types on request.

This list represents the most common types and does not show all variants covered by this datasheet.

Компания «Life Electronics» занимается поставками электронных компонентов импортного и отечественного производства от производителей и со складов крупных дистрибьюторов Европы, Америки и Азии.

С конца 2013 года компания активно расширяет линейку поставок компонентов по направлению коаксиальный кабель, кварцевые генераторы и конденсаторы (керамические, пленочные, электролитические), за счёт заключения дистрибьюторских договоров

Мы предлагаем:

- Конкурентоспособные цены и скидки постоянным клиентам.
- Специальные условия для постоянных клиентов.
- Подбор аналогов.
- Поставку компонентов в любых объемах, удовлетворяющих вашим потребностям.
- Приемлемые сроки поставки, возможна ускоренная поставка.
- Доставку товара в любую точку России и стран СНГ.
- Комплексную поставку.
- Работу по проектам и поставку образцов.
- Формирование склада под заказчика.
- Сертификаты соответствия на поставляемую продукцию (по желанию клиента).
- Тестирование поставляемой продукции.
- Поставку компонентов, требующих военную и космическую приемку.
- Входной контроль качества.
- Наличие сертификата ISO.

В составе нашей компании организован Конструкторский отдел, призванный помогать разработчикам, и инженерам.

Конструкторский отдел помогает осуществить:

- Регистрацию проекта у производителя компонентов.
- Техническую поддержку проекта.
- Защиту от снятия компонента с производства.
- Оценку стоимости проекта по компонентам.
- Изготовление тестовой платы монтаж и пусконаладочные работы.



Тел: +7 (812) 336 43 04 (многоканальный)

Email: org@lifeelectronics.ru