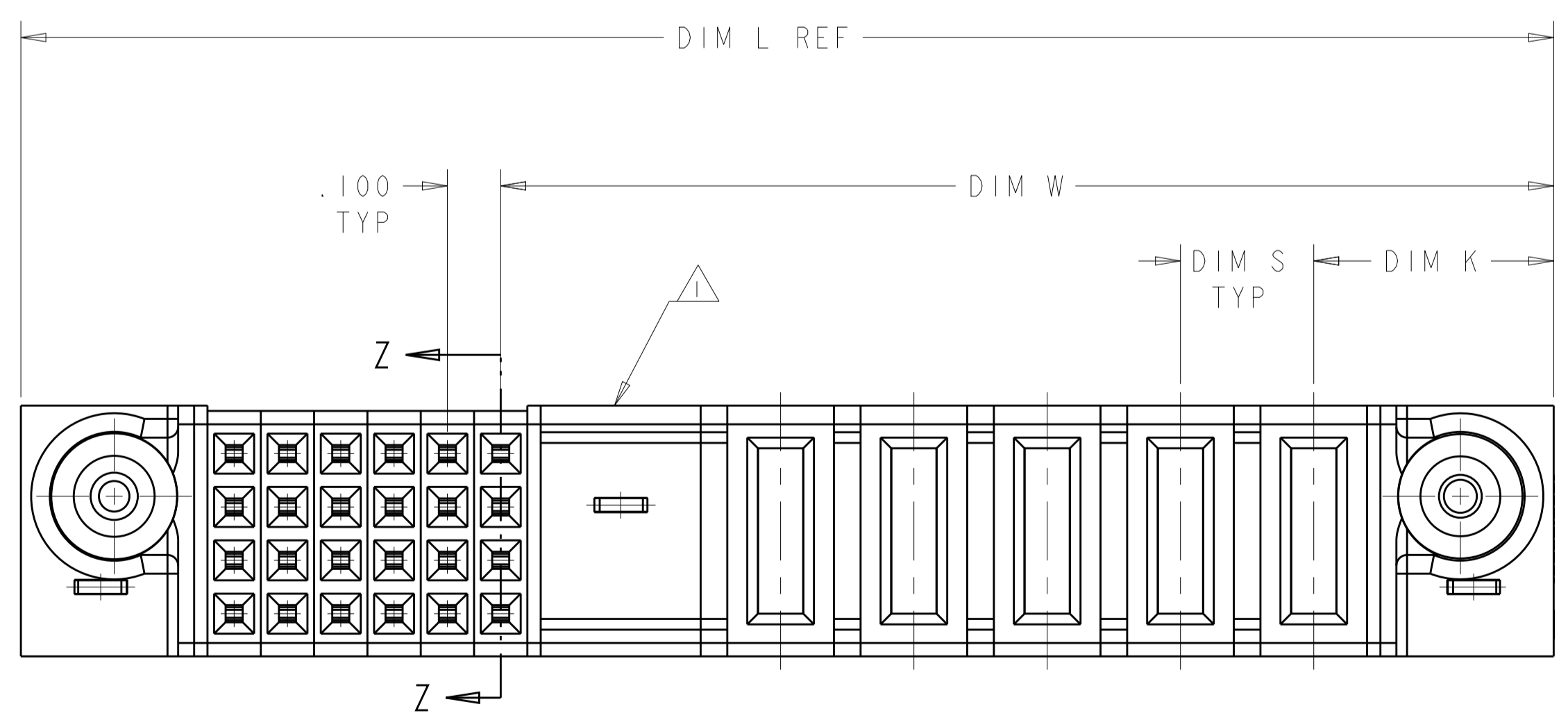
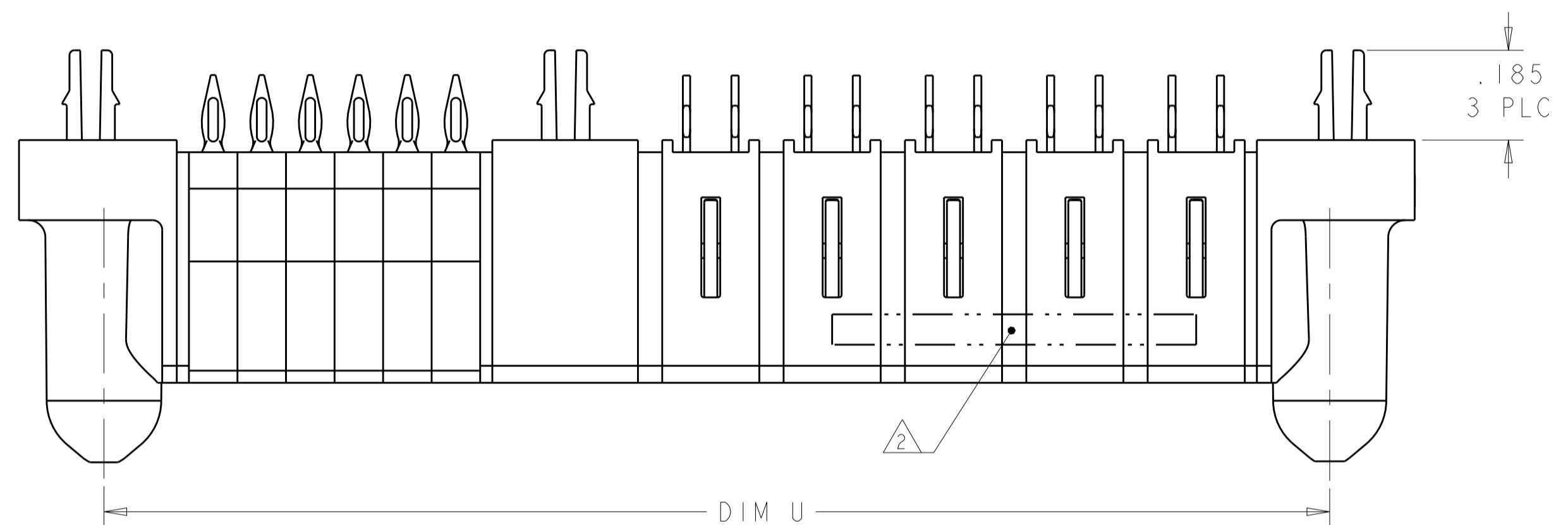
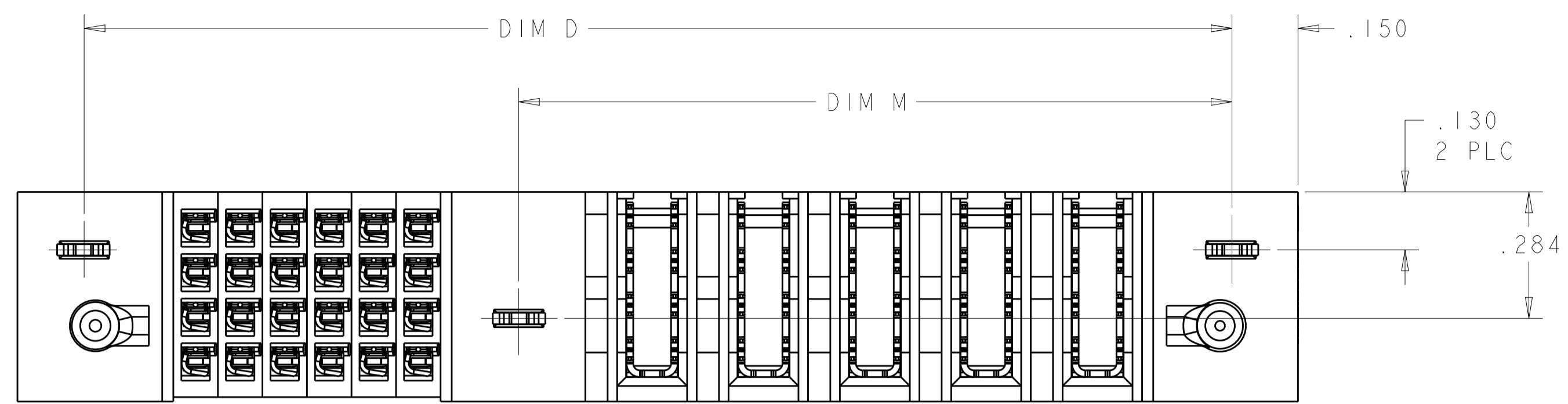
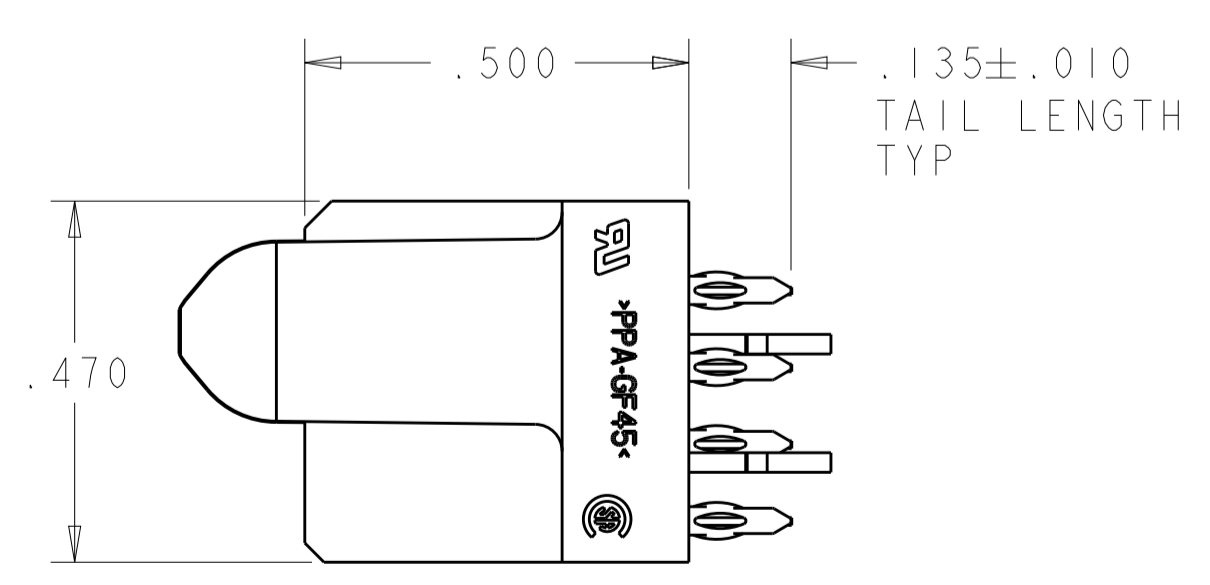
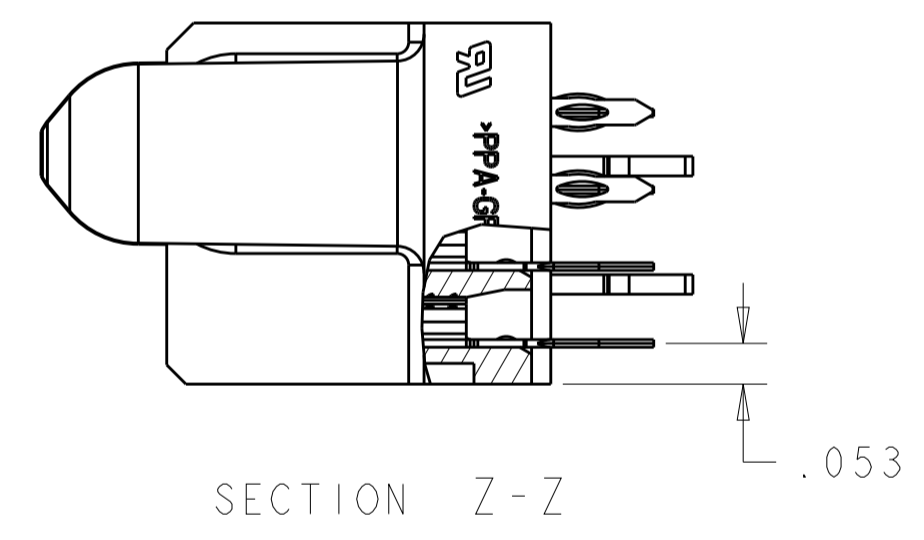


LOC		DIST		REVISIONS			
P	LTN	DESCRIPTION	DATE	DMN	APVD		
G7		REV PER ECR-09-008079	08APR2009	OL	SY		
H		REV PER ECR-12-003783	28FEB2012	CZ	SZ		
H2		ADD NEW PART -29	28JAN2015	AY	SZ		



- 1 OPTIONAL CENTER MODULE, WITH Ø.150 THRU HOLE OR HOLD DOWN FEATURE
- 2 "AMP", PART NUMBER, AND DATE CODE TO BE MARKED IN AREA SHOWN PARTS UNDER 2.00 LONG MAY BE MARKED ON BOTH SIDES
- 3 MATERIAL: HOUSING - GLASS FILLED HIGH TEMP THERMO PLASTIC, UL94 V-0  
 SIGNAL CONTACT - HIGH CONDUCTIVITY COPPER ALLOY  
 POWER CONTACT - HIGH CONDUCTIVITY COPPER ALLOY
- 4 CONTACT PLATING: NOBLE METAL PLATING ON CONTACT FUNCTIONAL AREA OF POWER AND SIGNAL CONTACTS
- 5 MECHANICAL CONNECTOR KEEP OUT ZONE
- 6 DATUM AND BASIC DIMENSIONS ESTABLISHED BY CUSTOMER
- 7 PCB - ALL HOLE DIAMETERS ARE FINISHED HOLE SIZES
- 8 PCB - .0453±.0010 DRILLED HOLES PLATED WITH .0003 MIN Sn OVER .001 TO .003 CU PLATING TO ACHIEVE A .040±.003 DIA HOLE
- 9 VARIABLE DIMENSIONS PLEASE REFER TO TABLE FOR DETAIL.

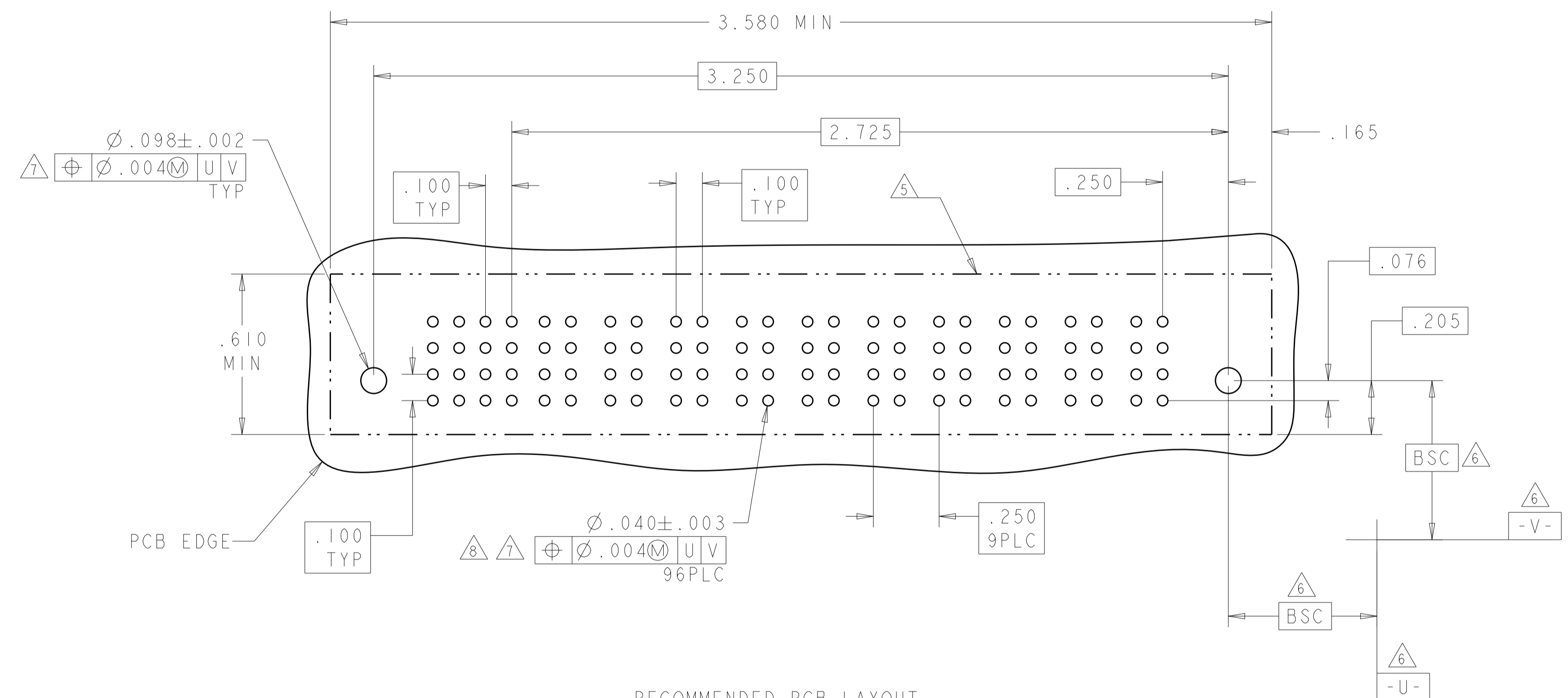


THIS DRAWING IS A CONTROLLED DOCUMENT.		DMN: R.GRZYBOWSKI 28FEB95	TE Connectivity
DIMENSIONS: INCHES		CHK: M.PERCHEKKE 28FEB05	
TOLERANCES UNLESS OTHERWISE SPECIFIED:		APVD: M.PERCHEKKE	NAME: VERTICAL RECEPTACLE ASSEMBLY WITH GUIDES MULTI-BEAM XL
0 PLC ±.01	1 PLC ±.01	PRODUCT SPEC: 108-1973	SIZE: A1
2 PLC ±.005	3 PLC ±.005	APPLICATION SPEC: 114-13038	CAGE CODE: 6450542
4 PLC ±.0020	ANGLES ±.7°	WEIGHT: -	RESTRICTED TO: -
MATERIAL: 3	FINISH: 4	CUSTOMER DRAWING	SCALE: 4:1 SHEET 1 OF 10 REV: H2

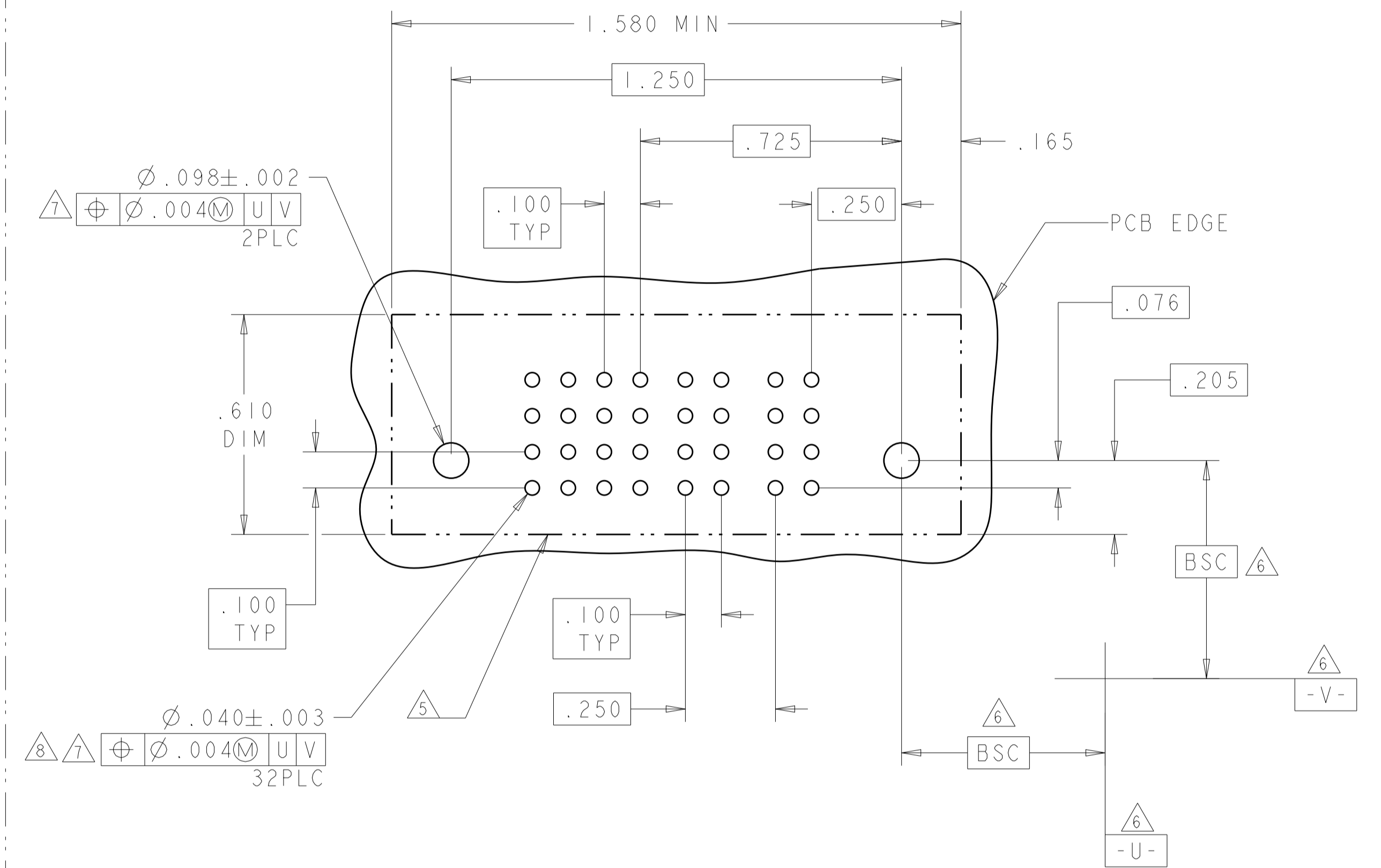
LOC	DIST	REV	DATE	BY	APPV
ES	00				

PART NUMBER	ROWS	SIGNAL				POWER										
		4	3	2	1	P10	P9	P8	P7	P6	P5	P4	P3	P2	P1	
2-6450542-2	D C B A	AP	AP	AP	AP	GS	GS	GS	GS	GS	GS	GS	GS	GS	GS	
		HD														HD
		10P + 16S														

PART NUMBER	ROWS	SIGNAL				POWER		
		4	3	2	1	P2	P1	
2-6450542-3	D C B A	AP	AP	AP	AP	GS	GS	
		HD						HD
		2P + 16S						



RECOMMENDED PCB LAYOUT  
6450542-22



RECOMMENDED PCB LAYOUT  
6450542-23

H2	DIM U	DIM S	DIM W	DIM D	DIM M	DIM L	DIM K	DESCRIPTION	PART NUMBER
	1.500	.250	1.375	1.550	-	1.850	.450	4P + 8S	2-6450542-9
	4.425	.200	2.200	4.475	-	4.775	.450	9P + 92S	2-6450542-7
	3.350	.200	2.825	3.400	-	3.700	.450	12HDP + 24S	2-6450542-5
	2.825	.200	2.300	2.875	-	3.175	.475	3ACP + 4P + 24S	2-6450542-4
	1.200	.250	.875	1.250	-	1.550	.450	2P + 16S	2-6450542-3
	3.200	.250	2.875	3.250	-	3.550	.450	10P + 16S	2-6450542-2
	2.300	.250	1.875	2.350	-	2.650	.450	6P + 20S	2-6450542-0
	1.800	.250	1.275	1.850	-	2.150	.450	4P + 24S	1-6450542-9
	2.900	.250	2.375	2.950	-	3.250	.450	8P + 24S	1-6450542-8
	2.100	.250	1.375	2.150	-	2.450	.450	4P + 32S	1-6450542-7
	2.100	.250	1.875	2.150	-	2.450	.450	6P + 12S	1-6450542-6
	2.900	.200	2.425	3.000	-	3.300	.450	10HDP + 24S	1-6450542-5
	2.000	.250	.875	-	-	2.350	.450	2P + 48S	1-6450542-4
	5.900	.250	5.375	5.950	-	6.250	.450	20P + 24S	1-6450542-2
	1.400	.250	.875	1.450	-	1.750	.450	2P + 24S	1-6450542-1
	1.100	-	.575	1.150	-	1.450	.425	1P + 24S	1-6450542-0
	4.425	.250	3.875	4.475	-	4.775	.450	14P + 24S	6450542-9
	3.050	.250	2.125	3.100	-	3.400	.450	7P + 40S	6450542-8
	3.800	-	3.550	3.850	-	4.150	.475	11P + 12S	6450542-4
	3.800	-	3.550	3.850	-	4.150	.475	11P + 12S	6450542-3
	3.000	.250	2.375	3.050	-	3.350	.450	8P + 28S	6450542-2
	1.600	.250	1.375	1.650	-	1.950	.450	4P + 12S	6450542-1

THIS DRAWING IS A CONTROLLED DOCUMENT.

OWNER: R. GRZYBOWSKI 28FEB95  
 CHK: M. PERCHERKE 28FEB05

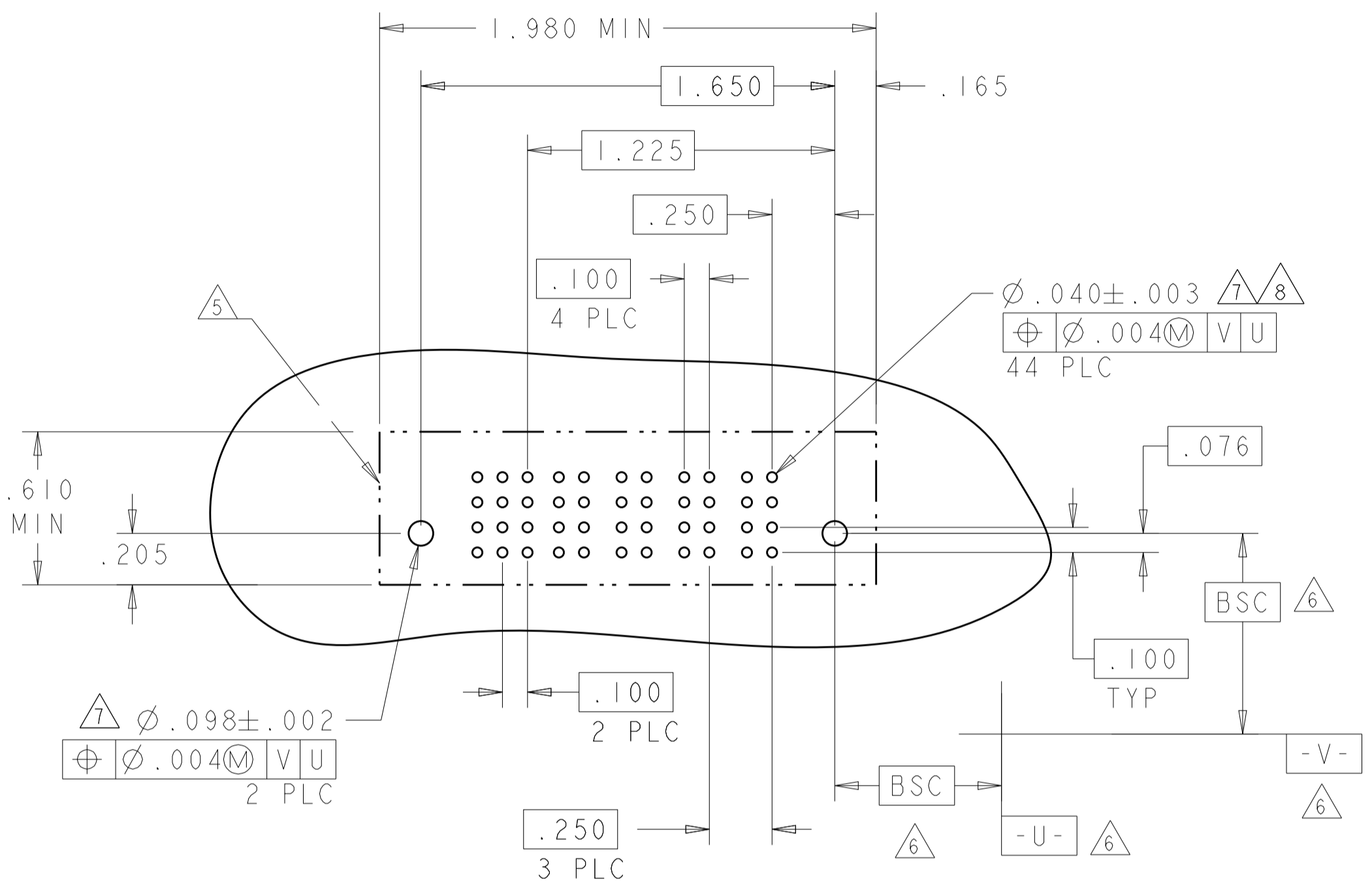
TE Connectivity

VERTICAL RECEPTACLE ASSEMBLY WITH GUIDES MULTI-BEAM XL

SCALE: 4:1 SHEET 2 OF 10 REV H2

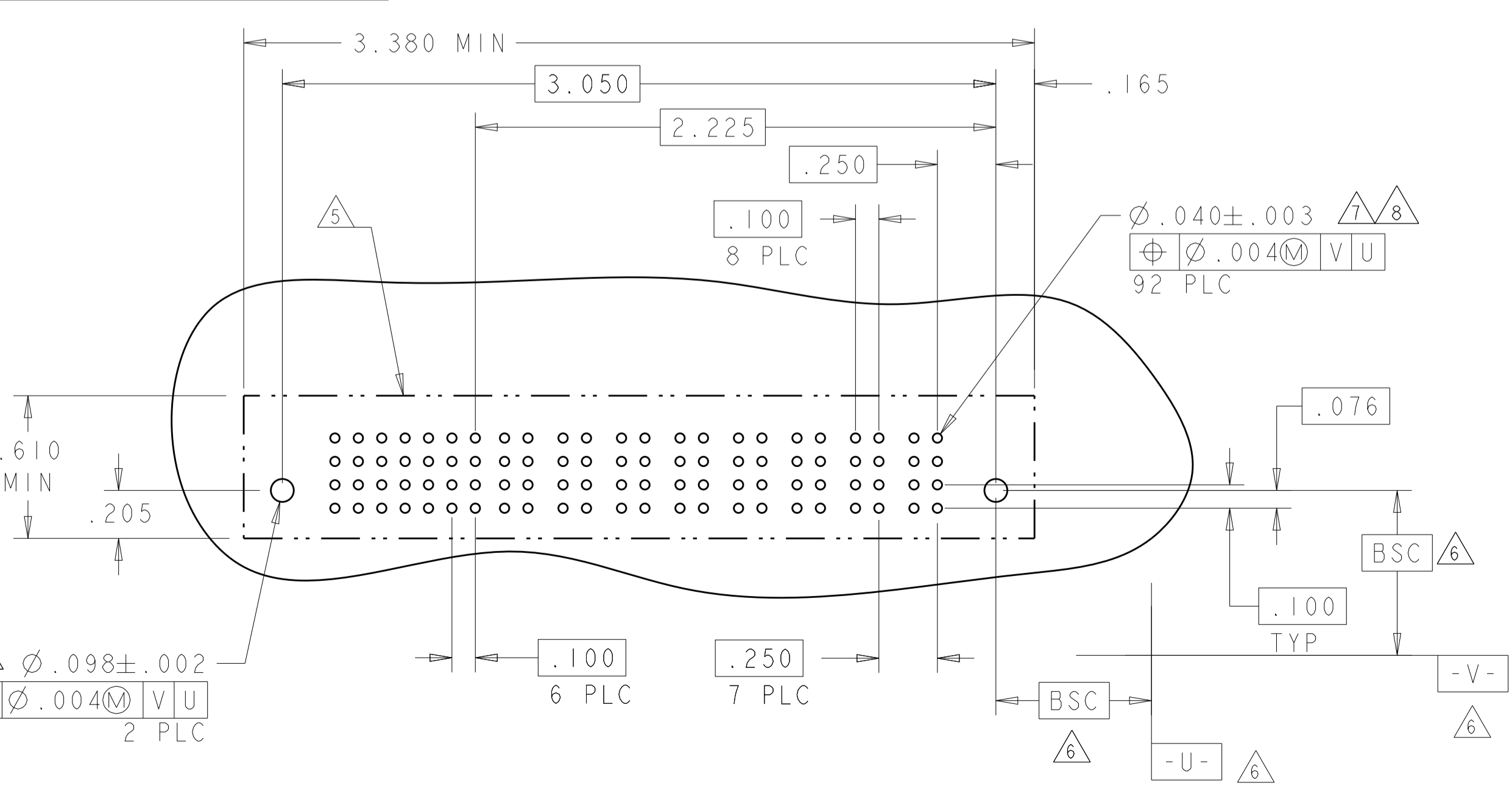
PART NUMBER	ROWS	SIGNAL			POWER			
		3	2	1	P4	P3	P2	P1
6450542-1	D	AP	AP	AP	GP	GP	GP	GP
	C	AP	AP	AP				
	B	AP	AP	AP				
	A	AP	AP	AP				

4P + 12S



PART NUMBER	ROWS	SIGNAL							POWER							
		7	6	5	4	3	2	1	P8	P7	P6	P5	P4	P3	P2	P1
6450542-2	D	AP	AP	AP	AP	AP	AP	AP	GP	GP	GP	GP	GP	GP	GP	GP
	C	AP	AP	AP	AP	AP	AP	AP								
	B	AP	AP	AP	AP	AP	AP	AP								
	A	AP	AP	AP	AP	AP	AP	AP								

8P + 28S



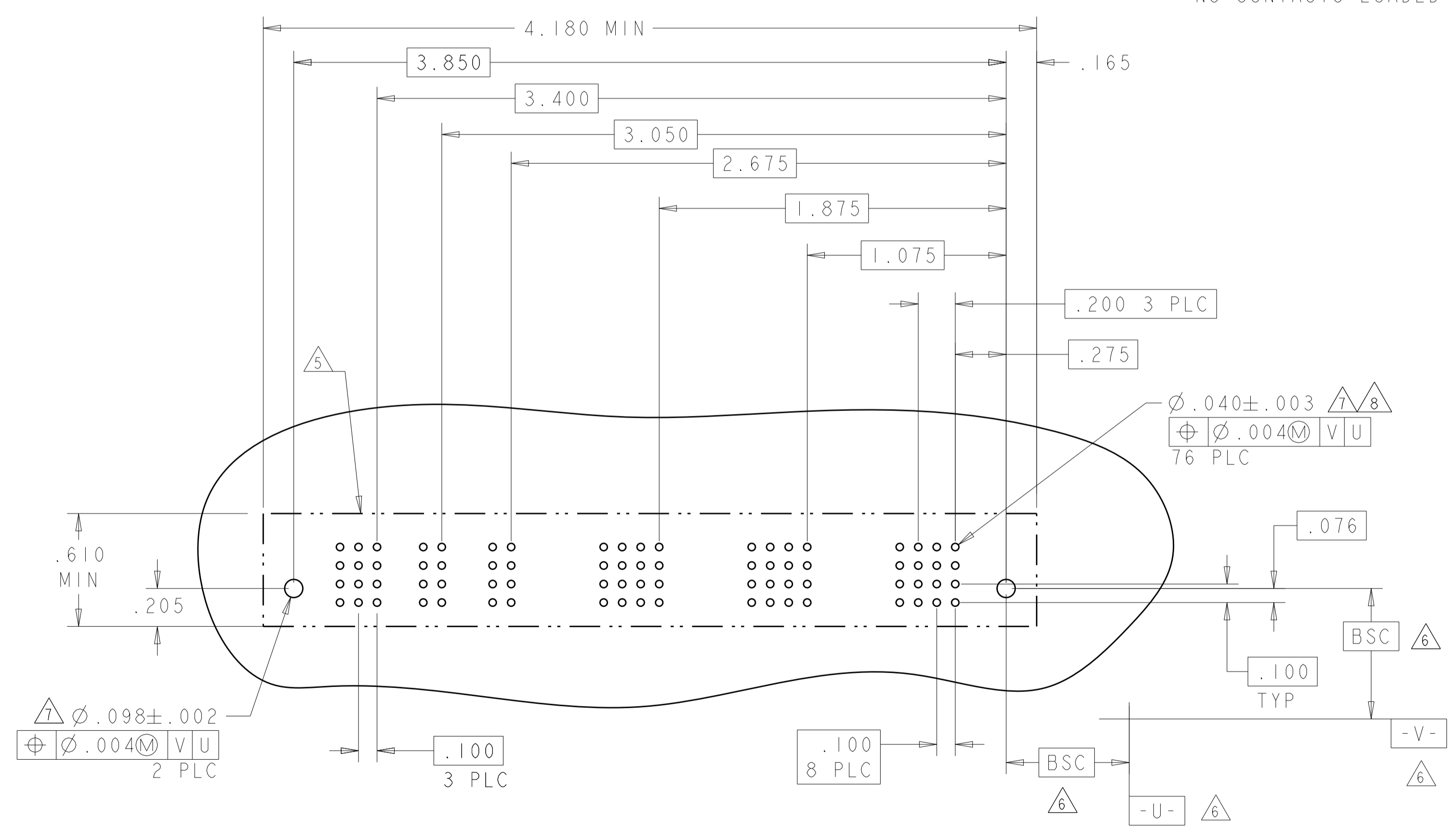
LOC	DIST	REV	DATE	APP'D
ES	00			

PART NUMBER	ROWS	SIGNAL			POWER										
		3	2	1	PI1	PI0	P9	P8	P7	P6	P5	P4	P3	P2	P1
6450542-3	D	AP	AP	AP	GP	GP	GP	GP	GP	GP	GP	GP	GP	GP	GP
	C	AP	AP	AP											
	B	AP	AP	AP											
	A	AP	AP	AP											

11P + 12S

PART NUMBER	ROWS	SIGNAL			POWER										
		3	2	1	PI1	PI0	P9	P8	P7	P6	P5	P4	P3	P2	P1
6450542-4	D	AP	AP	AP	GP	GP	GP	GP	GP	GP	GP	GP	GP	GP	GP
	C	AP	AP	AP											
	B	AP	AP	AP											
	A	AP	AP	AP											

11P + 12S



AP	SIGNAL PRESS FIT
GS	POWER PRESS FIT, STD
GP	POWER PRESS FIT, MFBL
CODE	TAIL LENGTH

THIS DRAWING IS A CONTROLLED DOCUMENT.

OWN: R. GRZYBOWSKI 28FEB95  
 CHK: M. PERCHERKE 28FEB05  
 APVD: M. PERCHERKE

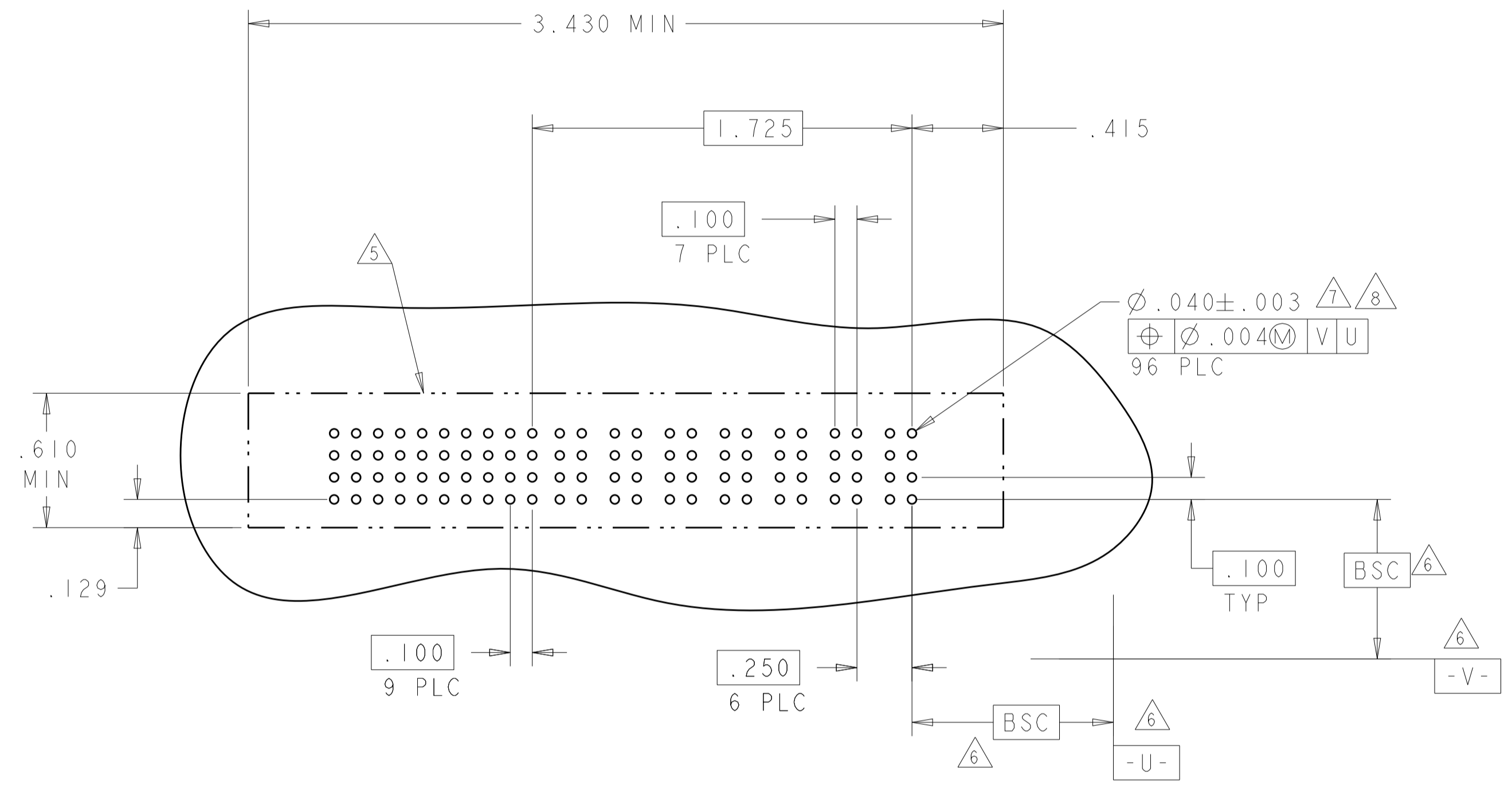
PRODUCT SPEC: VERTICAL RECEPTACLE ASSEMBLY WITH GUIDES MULTI-BEAM XL  
 APPLICATION SPEC: 108-1973  
 ANGLE SPEC: 114-13038

SIZE: A1  
 SHEET: 3 OF 10  
 SCALE: 1:1

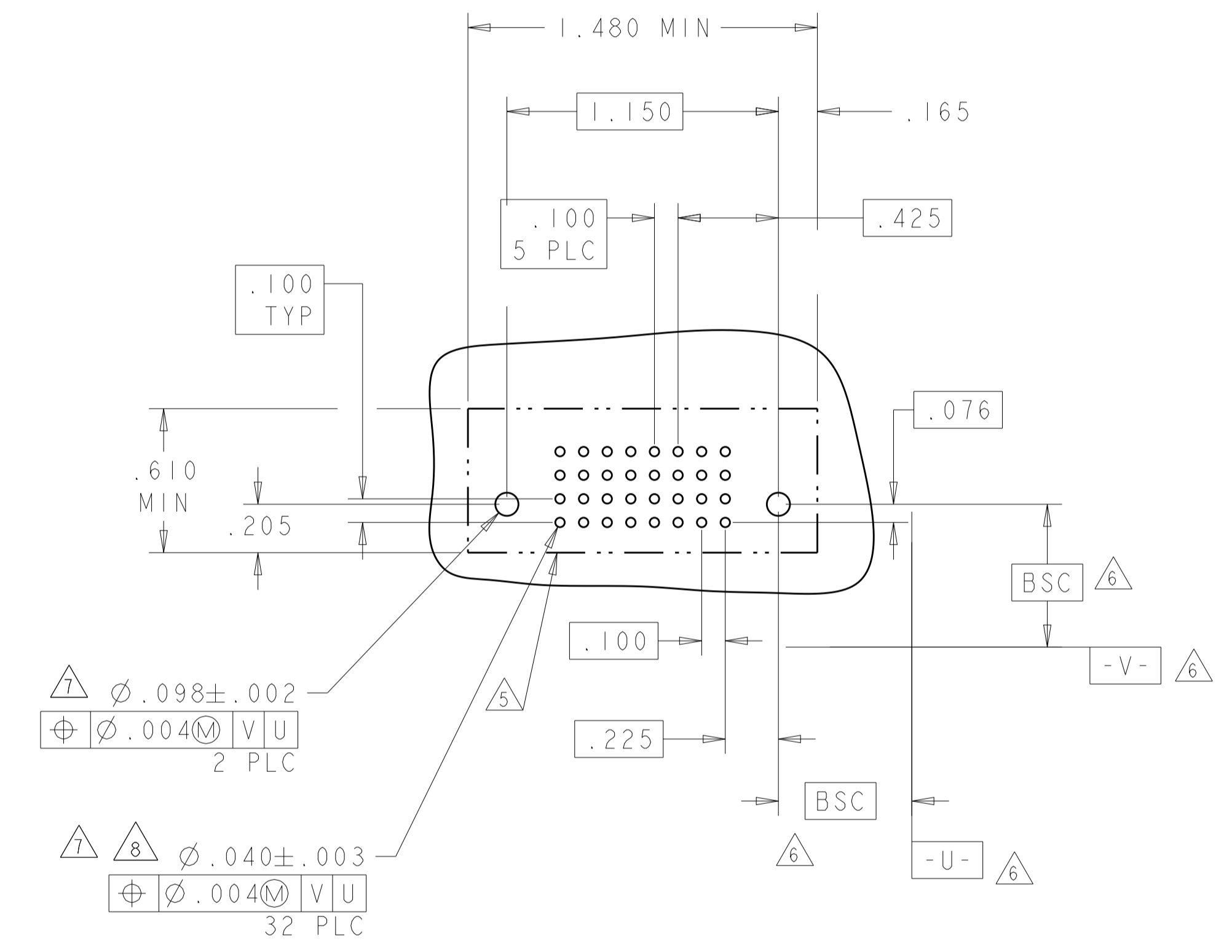
STE TE Connectivity

LOC	DIST	REVISIONS			
ES	00	REV	DATE	BY	APPV
		1	SEE SHEET 1		

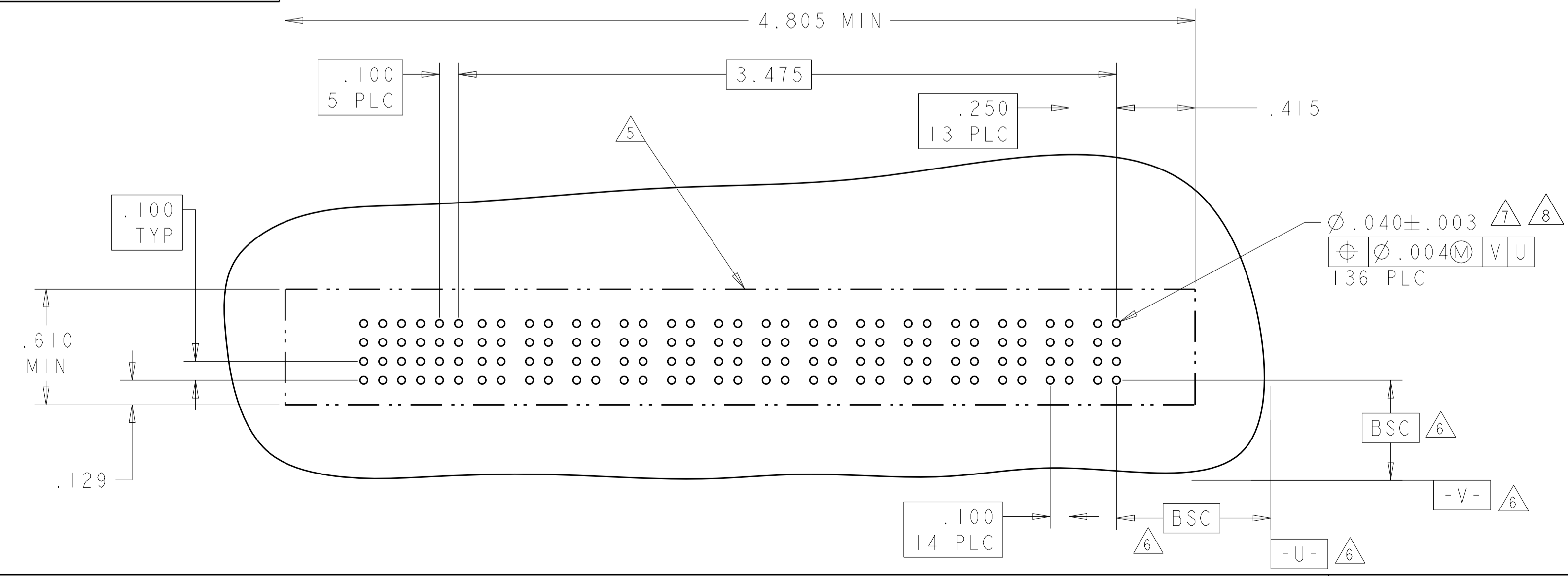
PART NUMBER	ROWS	SIGNAL										POWER						
		10	9	8	7	6	5	4	3	2	1	P7	P6	P5	P4	P3	P2	P1
6450542-8	D C B A	AP	AP	AP	AP	AP	AP	AP	AP	AP	AP	GP	GP	GP	GP	GP	GP	GP
		AP	AP	AP	AP	AP	AP	AP	AP	AP	AP	GP	GP	GP	GP	GP	GP	GP
		AP	AP	AP	AP	AP	AP	AP	AP	AP	AP	GP	GP	GP	GP	GP	GP	GP
		AP	AP	AP	AP	AP	AP	AP	AP	AP	AP	GP	GP	GP	GP	GP	GP	GP
7P + 40S																		



PART NUMBER	ROWS	SIGNAL					POWER	
		6	5	4	3	2	1	P1
1-6450542-0	D C B A	AP	AP	AP	AP	AP	AP	GP
		AP	AP	AP	AP	AP	AP	
		AP	AP	AP	AP	AP	AP	
		AP	AP	AP	AP	AP	AP	
IP + 24S								



PART NUMBER	ROWS	SIGNAL						POWER														
		6	5	4	3	2	1	P14	P13	P12	P11	P10	P9	P8	P7	P6	P5	P4	P3	P2	P1	
6450542-9	D C B A	AP	AP	AP	AP	AP	AP	GP	GP	GP	GP	GP	GP	GP	GP	GP	GP	GP	GP	GP	GP	GP
		AP	AP	AP	AP	AP	AP	GP	GP	GP	GP	GP	GP	GP	GP	GP	GP	GP	GP	GP	GP	GP
		AP	AP	AP	AP	AP	AP	GP	GP	GP	GP	GP	GP	GP	GP	GP	GP	GP	GP	GP	GP	GP
		AP	AP	AP	AP	AP	AP	GP	GP	GP	GP	GP	GP	GP	GP	GP	GP	GP	GP	GP	GP	GP
14P + 24S																						



THIS DRAWING IS A CONTROLLED DOCUMENT. DWN: R. GRZYBOWSKI 28FEB05  
 CHK: M. PERCHERKE 28FEB05  
 APVD: M. PERCHERKE

DIMENSIONS: INCHES  
 TOLERANCES UNLESS OTHERWISE SPECIFIED:  
 0 PLC ±.01  
 1 PLC ±.01  
 2 PLC ±.01  
 3 PLC ±.01  
 4 PLC ±.005  
 5 PLC ±.005  
 6 PLC ±.002  
 ANGLES ±.020

MATERIAL: FINISH:

PRODUCT SPEC: 108-1973  
 APPLICATION SPEC: 114-13038  
 WEIGHT: A100779  
 CUSTOMER DRAWING

NAME: VERTICAL RECEPTACLE ASSEMBLY WITH GUIDES MULTI-BEAM XL  
 SIZE: CAGE CODE DRAWING NO: 6450542  
 SCALE: 4:1 SHEET 4 OF 10 REV: H2

TE Connectivity

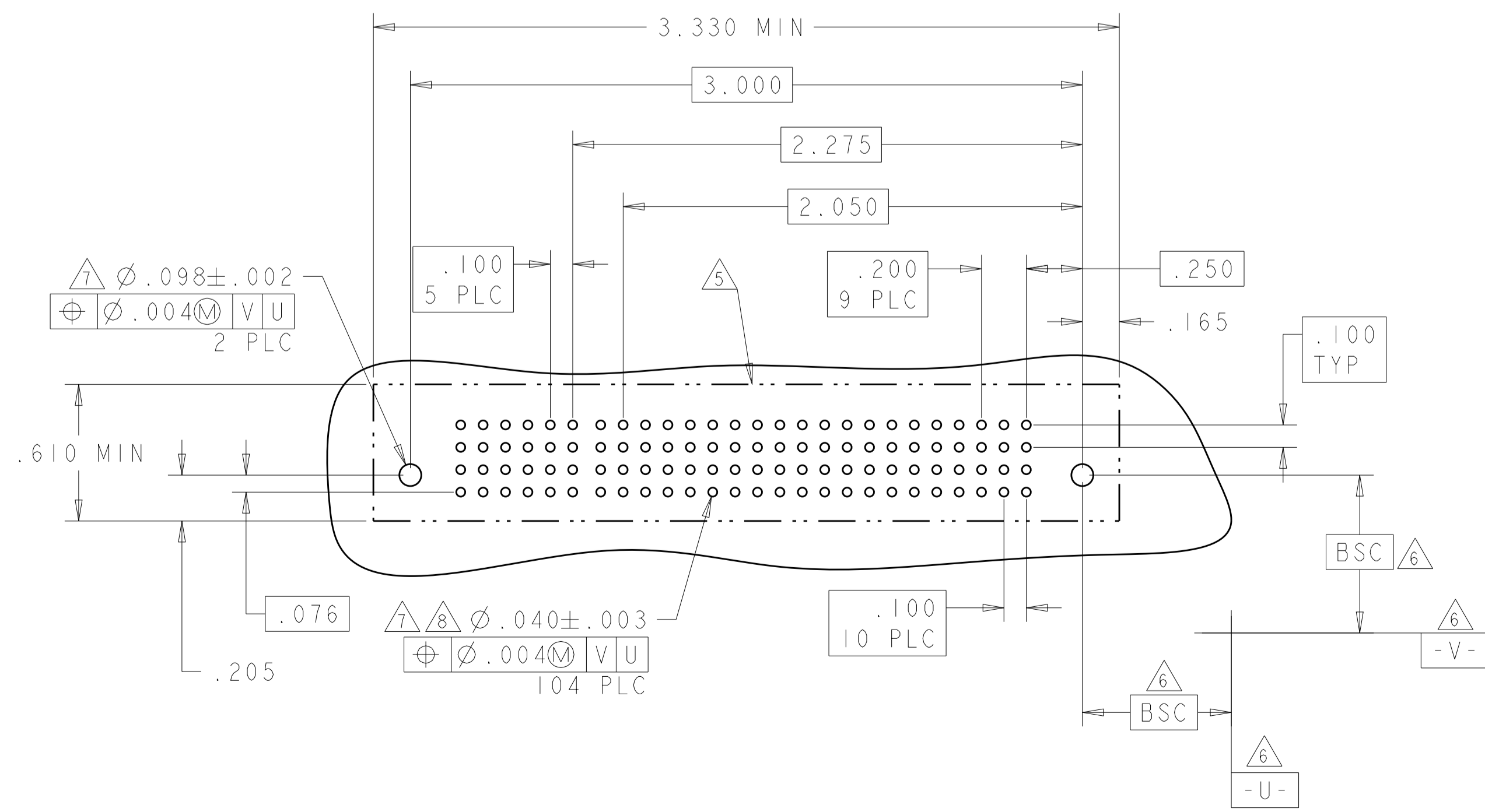
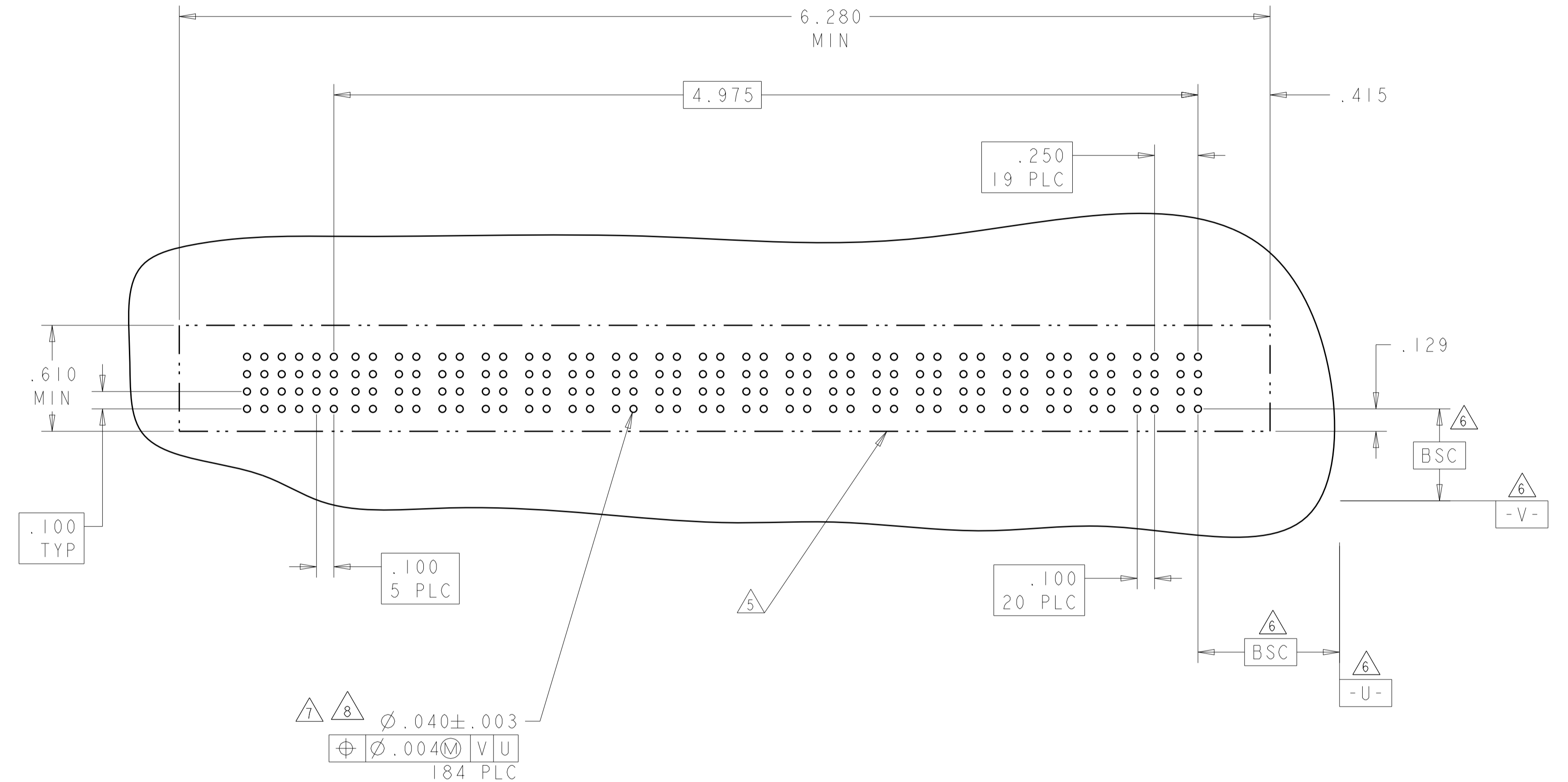
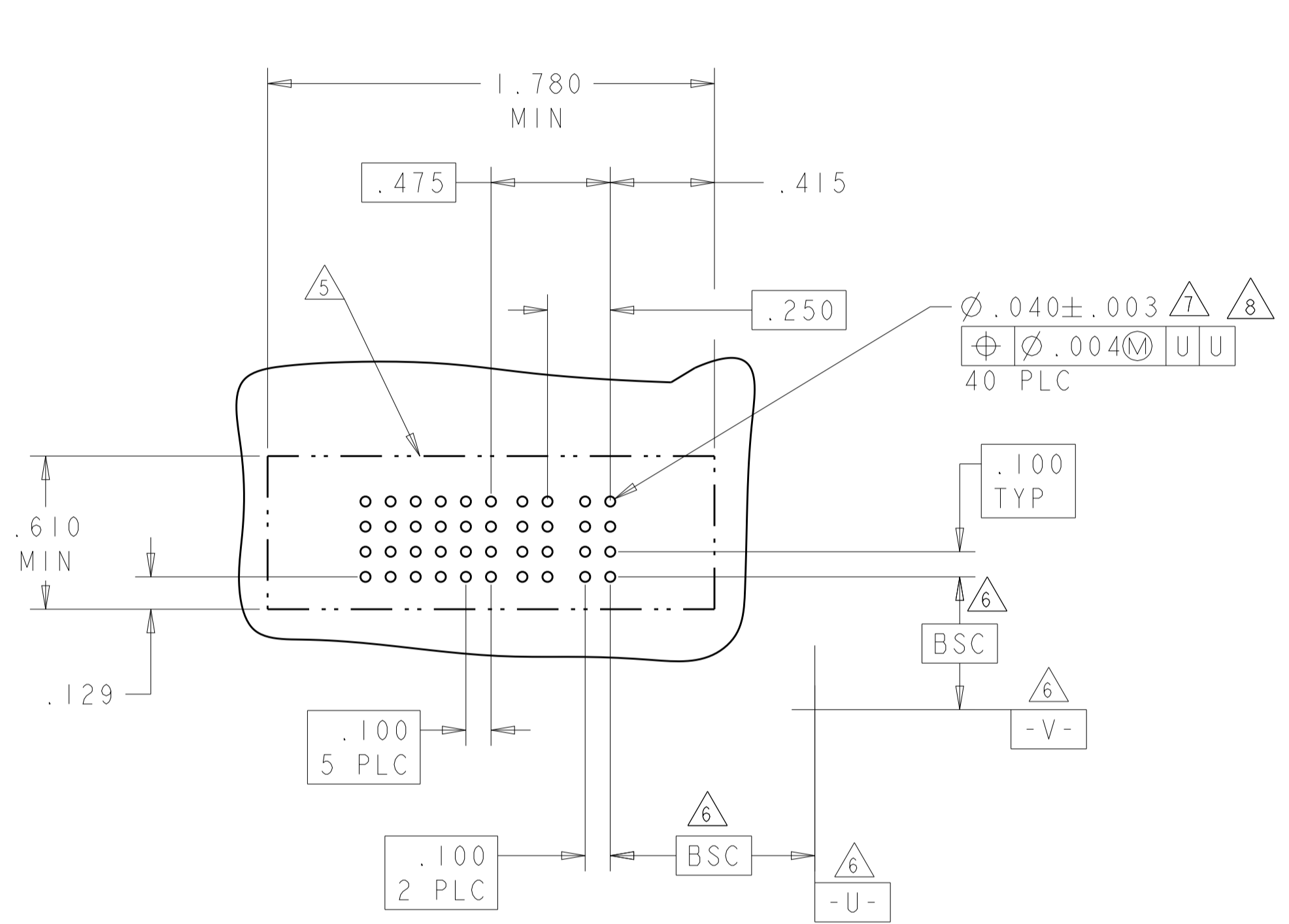
LOC	DIST	REV	DATE	BY	APPV
ES	00				

REVISIONS		DATE	BY	APPV
1	SEE SHEET 1			

PART NUMBER	ROWS	SIGNAL						POWER	
		6	5	4	3	2	1	P2	P1
1-6450542-1	D	AP	AP	AP	AP	AP	AP	GP	GP
	C	AP	AP	AP	AP	AP	AP		
	B	AP	AP	AP	AP	AP	AP		
	A	AP	AP	AP	AP	AP	AP		
2P + 24S									

PART NUMBER	ROWS	SIGNAL						POWER																					
		6	5	4	3	2	1	P20	P19	P18	P17	P16	P15	P14	P13	P12	P11	P10	P9	P8	P7	P6	P5	P4	P3	P2	P1		
1-6450542-2	D	AP	AP	AP	AP	AP	AP	GP	GP	GP	GP	GP	GP	GP	GP	GP	GP	GP	GP	GP	GP	GP	GP	GP	GP	GP	GP	GP	GP
	C	AP	AP	AP	AP	AP	AP																						
	B	AP	AP	AP	AP	AP	AP																						
	A	AP	AP	AP	AP	AP	AP																						
20P + 24S																													



PART NUMBER	ROWS	SIGNAL						POWER									
		6	5	4	3	2	1	P10	P9	P8	P7	P6	P5	P4	P3	P2	P1
1-6450542-5	D	AP	AP	AP	AP	AP	AP	GP	GP	GP	GP	GP	GP	GP	GP	GP	GP
	C	AP	AP	AP	AP	AP	AP										
	B	AP	AP	AP	AP	AP	AP										
	A	AP	AP	AP	AP	AP	AP										
10HDP + 24S																	

THIS DRAWING IS A CONTROLLED DOCUMENT.

OWN: R. GRZYBOWSKI 28FEB95  
 CHK: M. PERCHERKE 28FEB05  
 APVD: M. PERCHERKE

**STE** TE Connectivity

NAME: VERTICAL RECEPTACLE ASSEMBLY WITH GUIDES MULTI-BEAM XL

PRODUCT SPEC: 108-1973  
 APPLICATION SPEC: 114-13038

SIZE: A1 00779 C=6450542  
 SHEET 5 OF 10 REV H2

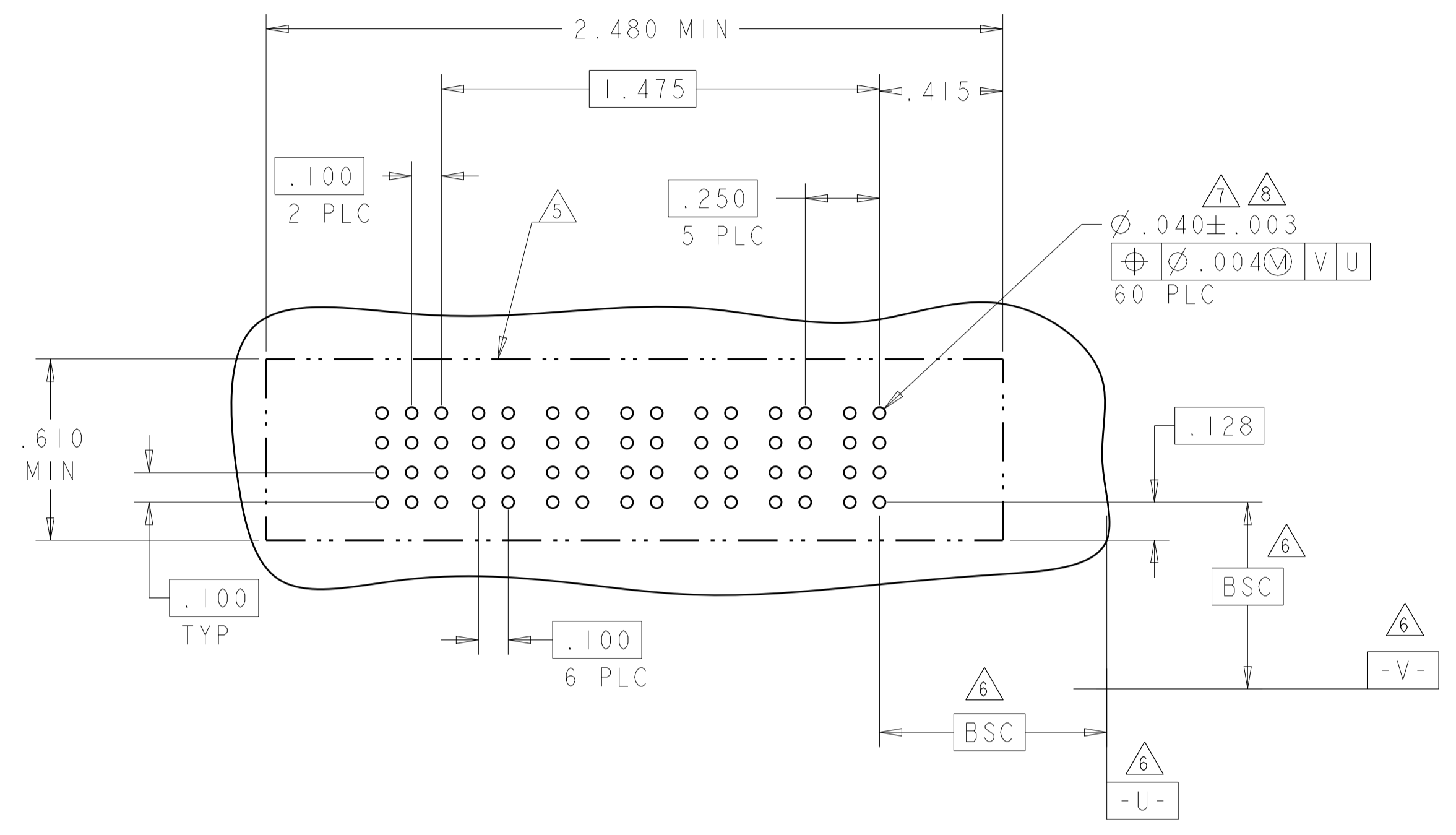
SCALE: 4:1

LOC	DIST	REV	DATE	BY	APPV
ES	00				

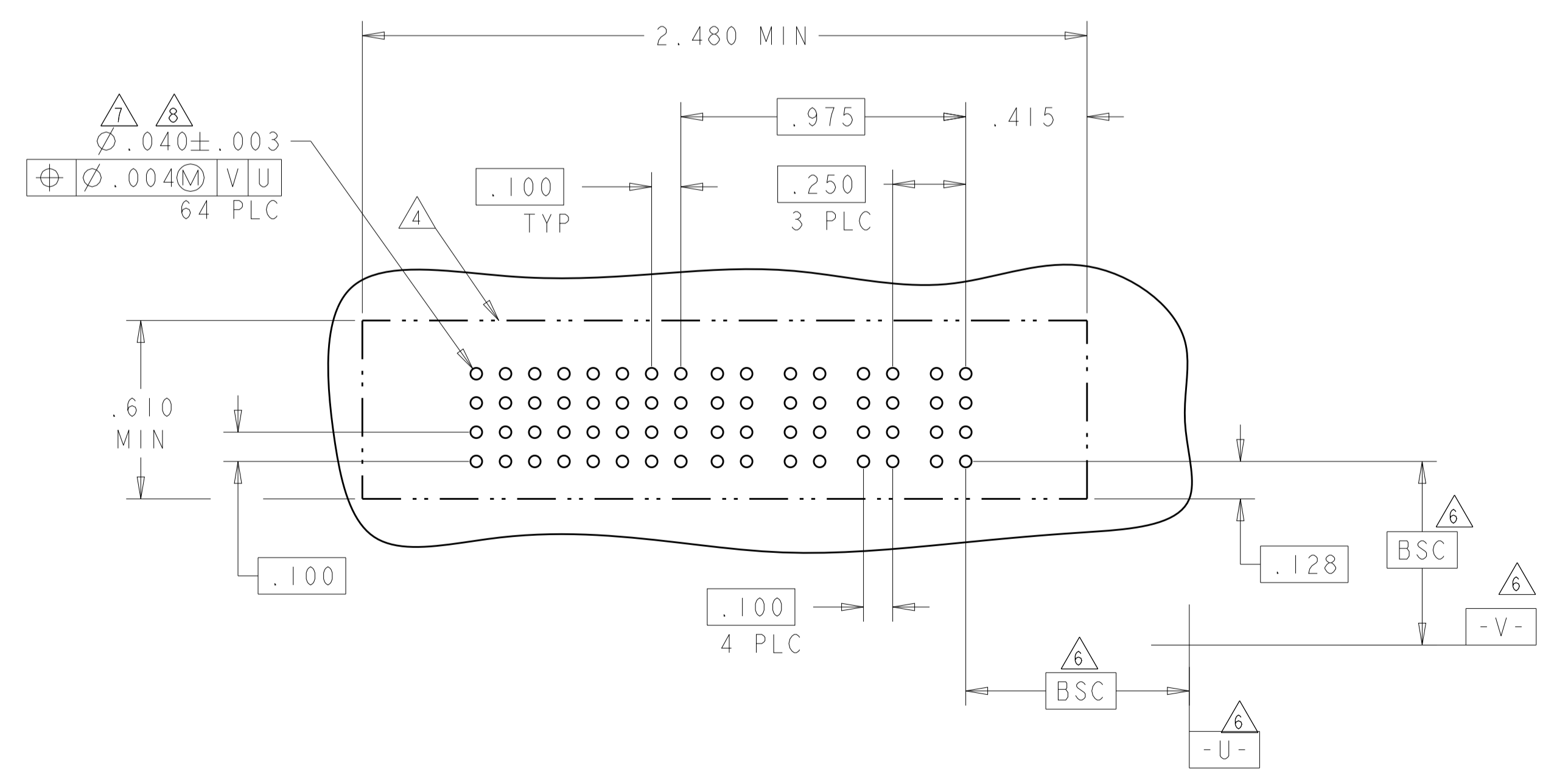
  

REVISIONS		DATE	BY	APPV
-	SEE SHEET 1	-	-	-

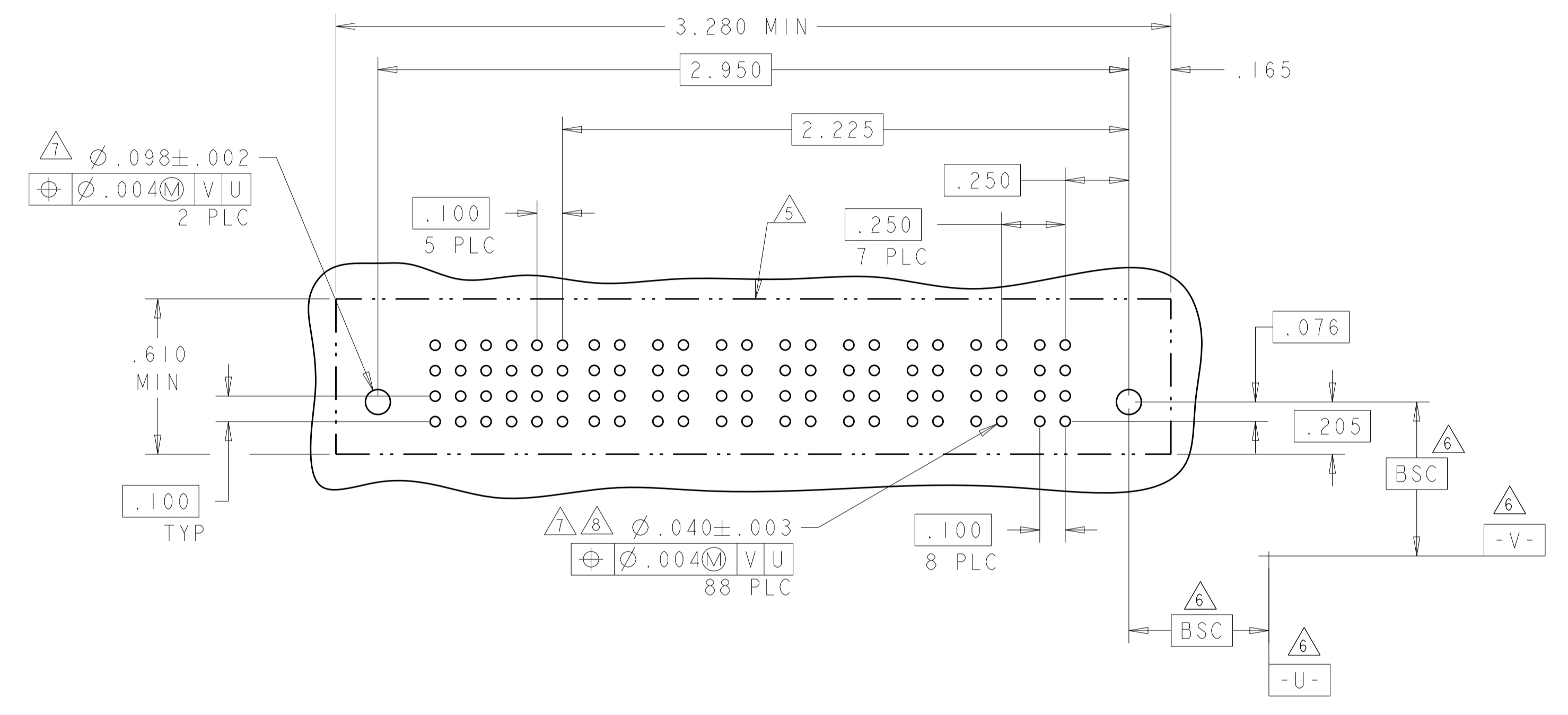
ASSY PART NUMBER	ROWS	SIGNAL					POWER				
		3	2	1	P6	P5	P4	P3	P2	P1	
1-6450542-6	D C B A	AP	AP	AP							
		AP	AP	AP	GS	GS	GS	GS	GS	GS	
		AP	AP	AP							
		AP	AP	AP							
6P + 12S											



ASSY PART NUMBER	ROWS	SIGNAL								POWER			
		8	7	6	5	4	3	2	1	P4	P3	P2	P1
1-6450542-7	D C B A	AP	AP	AP	AP	AP	AP	AP	AP				
		AP	AP	AP	AP	AP	AP	AP	AP	GS	GS	GS	GS
		AP	AP	AP	AP	AP	AP	AP	AP				
		AP	AP	AP	AP	AP	AP	AP	AP				
4P + 32S													



PART NUMBER	ROWS	SIGNAL						POWER							
		6	5	4	3	2	1	P8	P7	P6	P5	P4	P3	P2	P1
1-6450542-8	D C B A	AP	AP	AP	AP	AP	AP								
		AP	AP	AP	AP	AP	AP	GP	GP	GP	GP	GP	GP	GP	
		AP	AP	AP	AP	AP	AP								
		AP	AP	AP	AP	AP	AP								
8P + 24S															



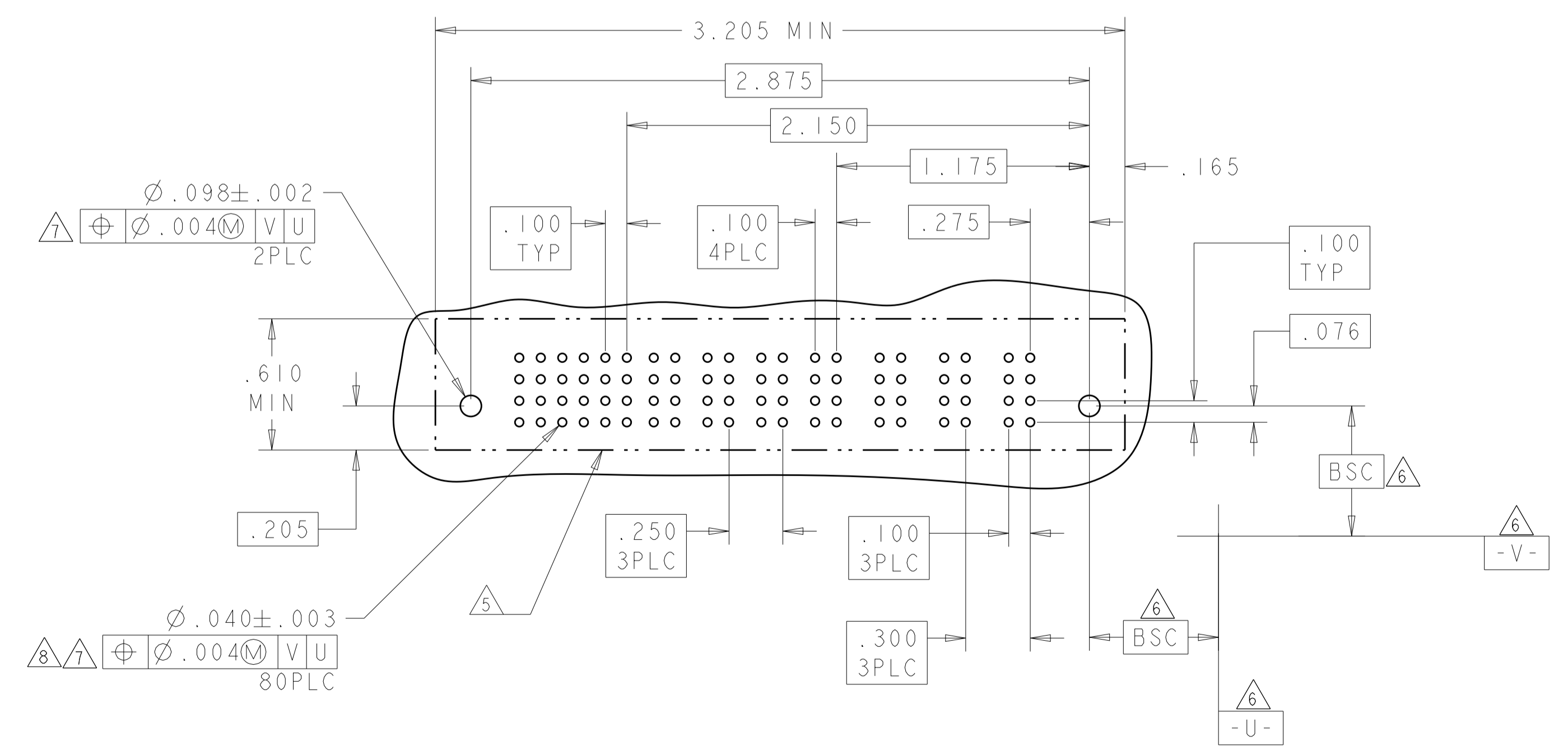
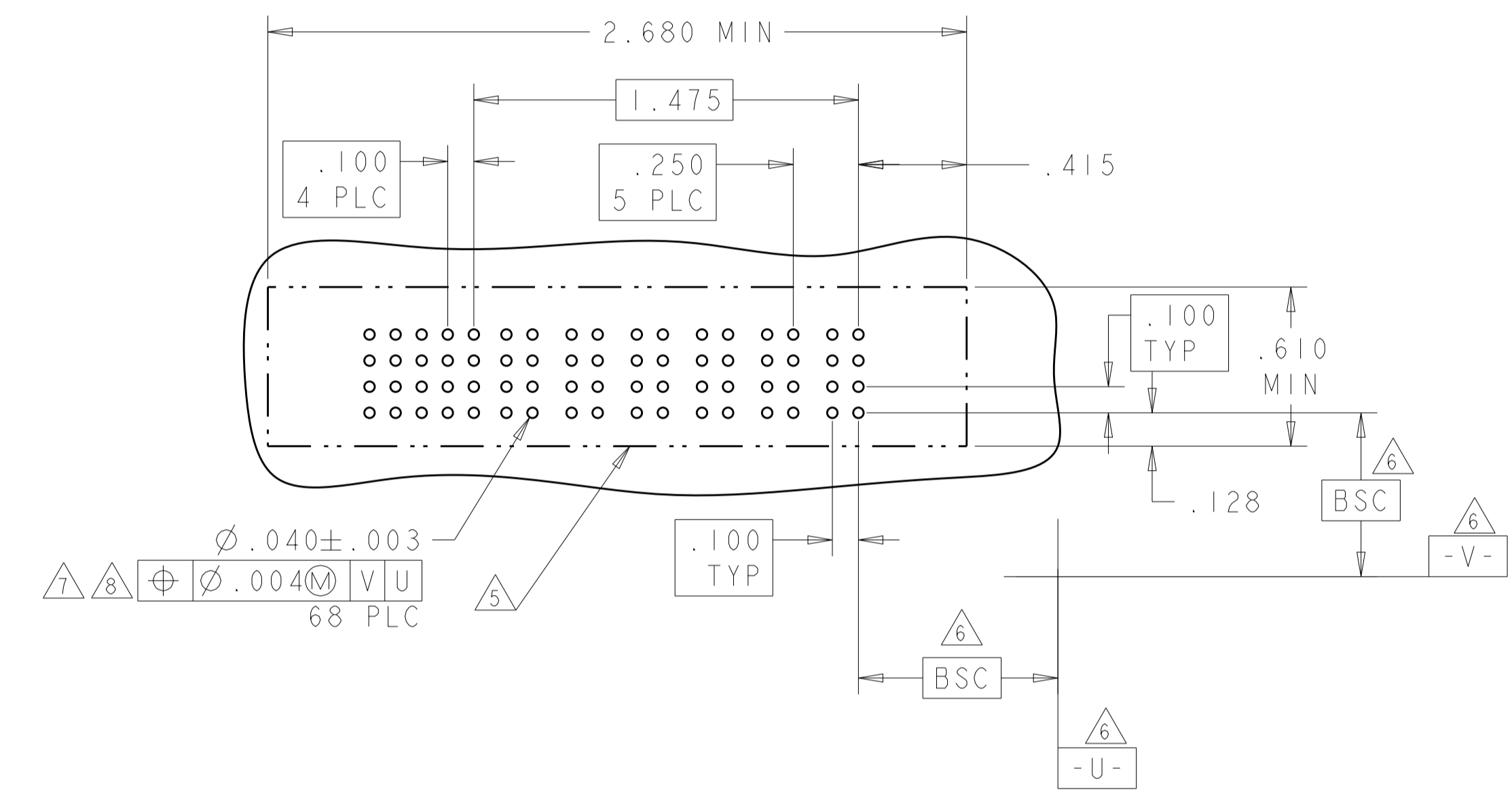
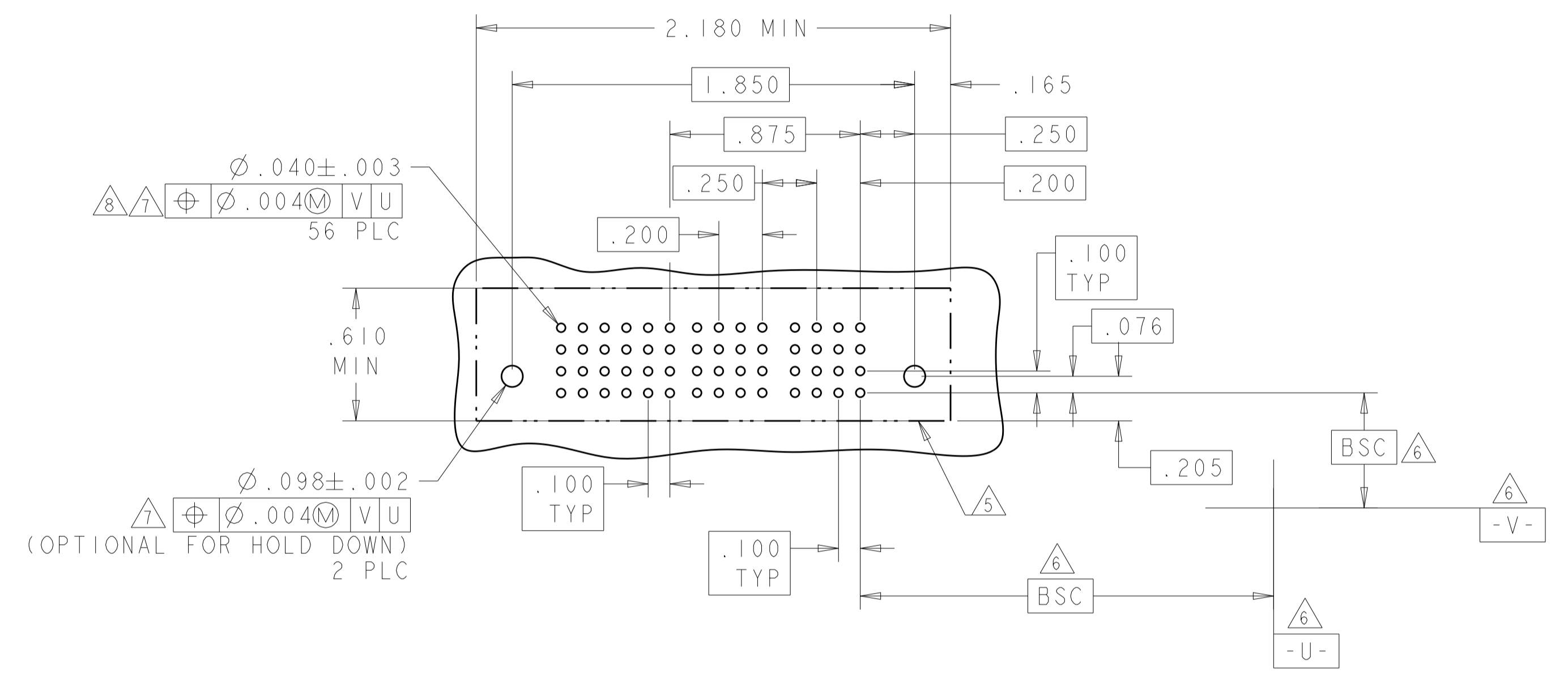
THIS DRAWING IS A CONTROLLED DOCUMENT.

DIMENSIONS: INCHES	TOLERANCES UNLESS OTHERWISE SPECIFIED: 0 PLC ±. 1 PLC ±.01 2 PLC ±.01 3 PLC ±.005 4 PLC ±.0020 ANGLES ±.07°	DWN: R. GRZYBOWSKI 28FEB95 CHK: M. PERCHERKE 28FEB05 APVD: M. PERCHERKE PRODUCT SPEC: 108-1973 APPLICATION SPEC: 114-13038 WEIGHT: - CUSTOMER DRAWING	NAME: VERTICAL RECEPTACLE ASSEMBLY WITH GUIDES MULTI-BEAM XL SIZE: A1 CAGE CODE: 6450542 SCALE: 4:1 SHEET: 6 OF 10 REV: H2
-----------------------	---	---	---

STE TE Connectivity

PART NUMBER	ROWS	SIGNAL						POWER			
		6	5	4	3	2	1	P4	P3	P2	P1
1-6450542-9	D C B A	AP	AP	AP	AP	AP	AP	GS	GS	GS	GS
		AP	AP	AP	AP	AP	AP	GS	GS	GS	GS
		AP	AP	AP	AP	AP	AP	GS	GS	GS	GS
		AP	AP	AP	AP	AP	AP	GS	GS	GS	GS
4P + 24S											

ASSY PART NUMBER	ROWS	SIGNAL					POWER					
		5	4	3	2	1	P6	P5	P4	P3	P2	P1
2-6450542-0	D C B A	AP	AP	AP	AP	AP	GS	GS	GS	GS	GS	GS
		AP	AP	AP	AP	AP	GS	GS	GS	GS	GS	GS
		AP	AP	AP	AP	AP	GS	GS	GS	GS	GS	GS
		AP	AP	AP	AP	AP	GS	GS	GS	GS	GS	GS
6P + 20S												



PART NUMBER	ROWS	SIGNAL						POWER						
		6	5	4	3	2	1	P7	P6	P5	P4	P3	P2	P1
2-6450542-4	D C B A	AP	AP	AP	AP	AP	AP	GS	GS	GS	GS	GS	GS	GS
		AP	AP	AP	AP	AP	AP	GS	GS	GS	GS	GS	GS	GS
		AP	AP	AP	AP	AP	AP	GS	GS	GS	GS	GS	GS	GS
		AP	AP	AP	AP	AP	AP	GS	GS	GS	GS	GS	GS	GS
3ACP + 4P + 24S														

THIS DRAWING IS A CONTROLLED DOCUMENT.		DWN: R. GRZYBOWSKI 28FEB95	<b>STE</b> TE Connectivity
DIMENSIONS: INCHES		CHK: M. PERCHERKE 28FEB05	
TOLERANCES UNLESS OTHERWISE SPECIFIED:		APVD: M. PERCHERKE	VERTICAL RECEPTACLE ASSEMBLY WITH GUIDES MULTI-BEAM XL
0 PLC ± .01		PRODUCT SPEC 108-1973	
1 PLC ± .01		APPLICATION SPEC 114-13038	
2 PLC ± .01		WEIGHT	
3 PLC ± .005		SIZE: CAGE CODE DRAWING NO. RESTRICTED TO	A100779C=6450542
4 PLC ± .002		CUSTOMER DRAWING	SCALE 4:1 SHEET 7 OF 10 REV H2
ANGLES ± .020			
FINISH			

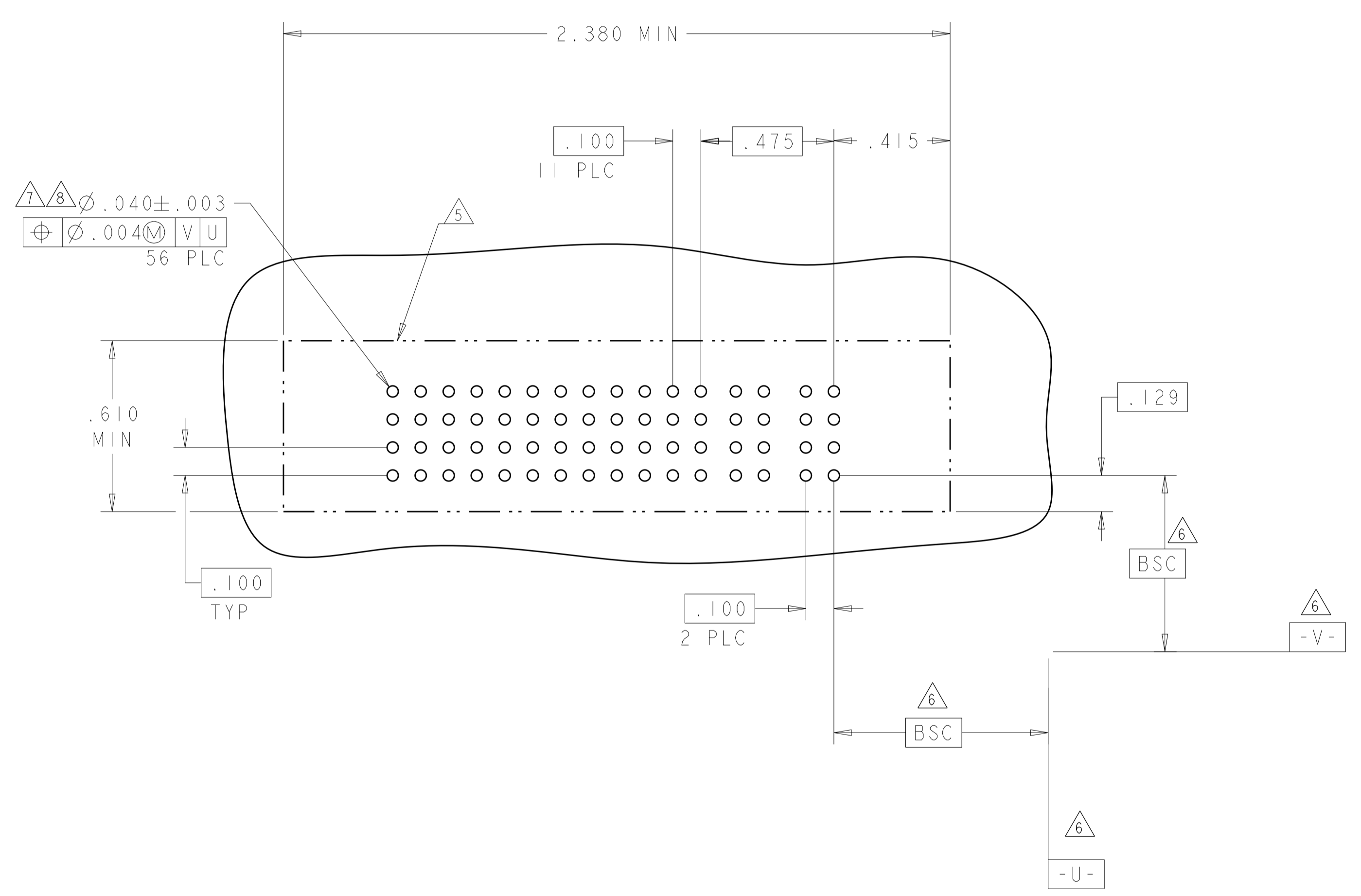
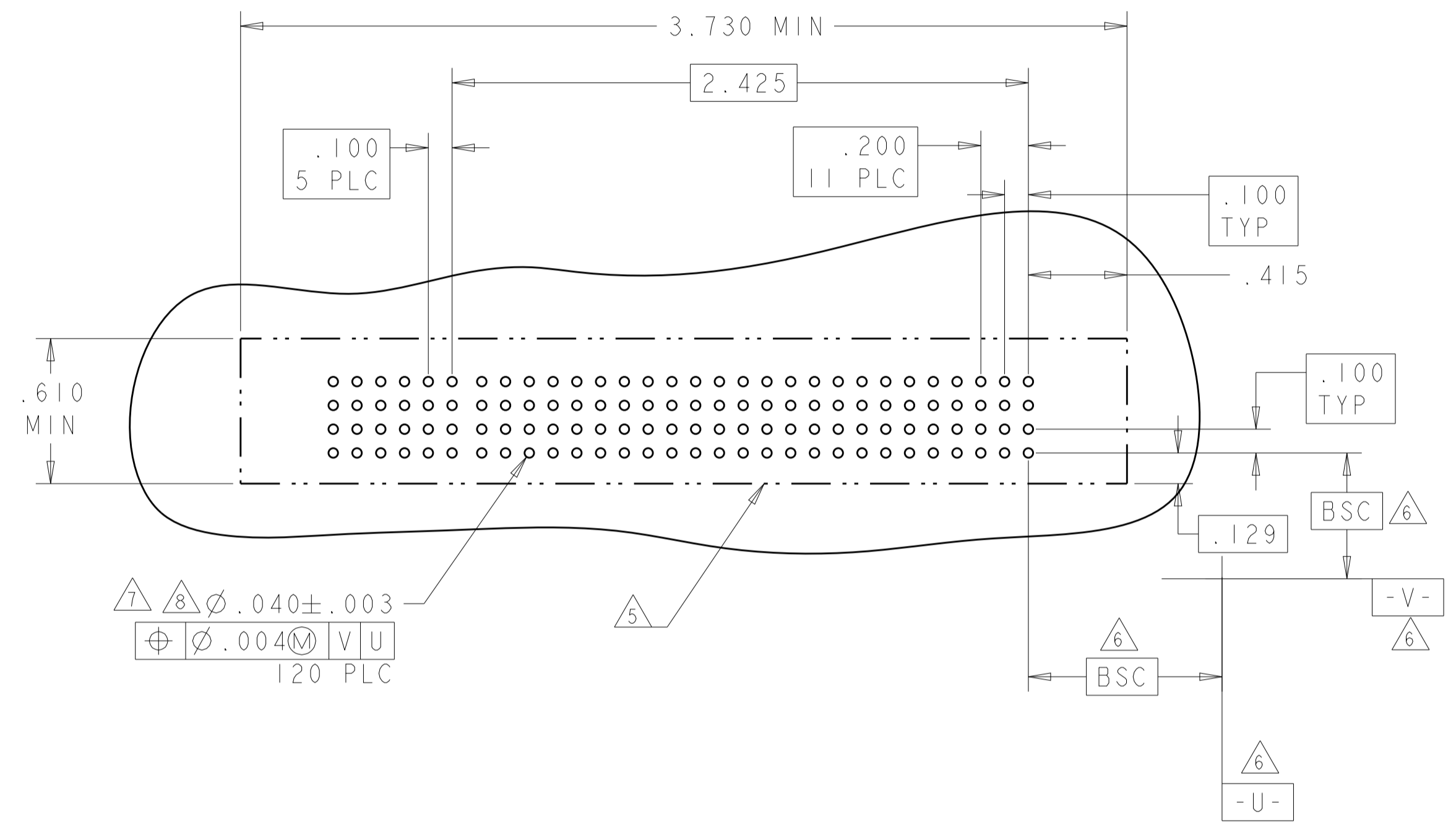
LOC	DIST	REVISIONS					
ES	00	P	LTN	DESCRIPTION	DATE	OWN	APVD
		-		SEE SHEET 1			

PART NUMBER	ROWS	SIGNAL						POWER										
		6	5	4	3	2	1	P12	P11	P10	P09	P08	P07	P06	P05	P04	P03	P02
2-6450542-5	D C B A	AP	AP	AP	AP	AP	AP	GS	GS	GS	GS	GS	GS	GS	GS	GS	GS	GS
		AP	AP	AP	AP	AP	AP	GS	GS	GS	GS	GS	GS	GS	GS	GS	GS	GS
		AP	AP	AP	AP	AP	AP	GS	GS	GS	GS	GS	GS	GS	GS	GS	GS	GS

12HDP + 24S

ASSY PART NUMBER	ROWS	SIGNAL												POWER			
		12	11	10	9	8	7	6	5	4	3	2	1	P2	P1		
1-6450542-4	D C B A	AP	AP	AP	AP	AP	AP	AP	AP	AP	AP	AP	AP	AP	AP	GS	GS
		AP	AP	AP	AP	AP	AP	AP	AP	AP	AP	AP	AP	AP	AP	GS	GS
		AP	AP	AP	AP	AP	AP	AP	AP	AP	AP	AP	AP	AP	AP	GS	GS

2P + 48S



THIS DRAWING IS A CONTROLLED DOCUMENT. DWN: R. GRZYBOWSKI 28FEB95  
CHK: M. PERCHERKE 28FEB05

**STE** TE Connectivity

NAME: VERTICAL RECEPTACLE ASSEMBLY WITH GUIDES MULTI-BEAM XL

PRODUCT SPEC: 108-1973  
APPLICATION SPEC: 114-13038

SIZE: A1 00779 C=6450542  
WEIGHT: -  
CUSTOMER DRAWING

DIMENSIONS: INCHES  
TOLERANCES UNLESS OTHERWISE SPECIFIED:  
0 PLC ±.  
1 PLC ±.01  
2 PLC ±.01  
3 PLC ±.005  
4 PLC ±.0020  
ANGLES ±.2°

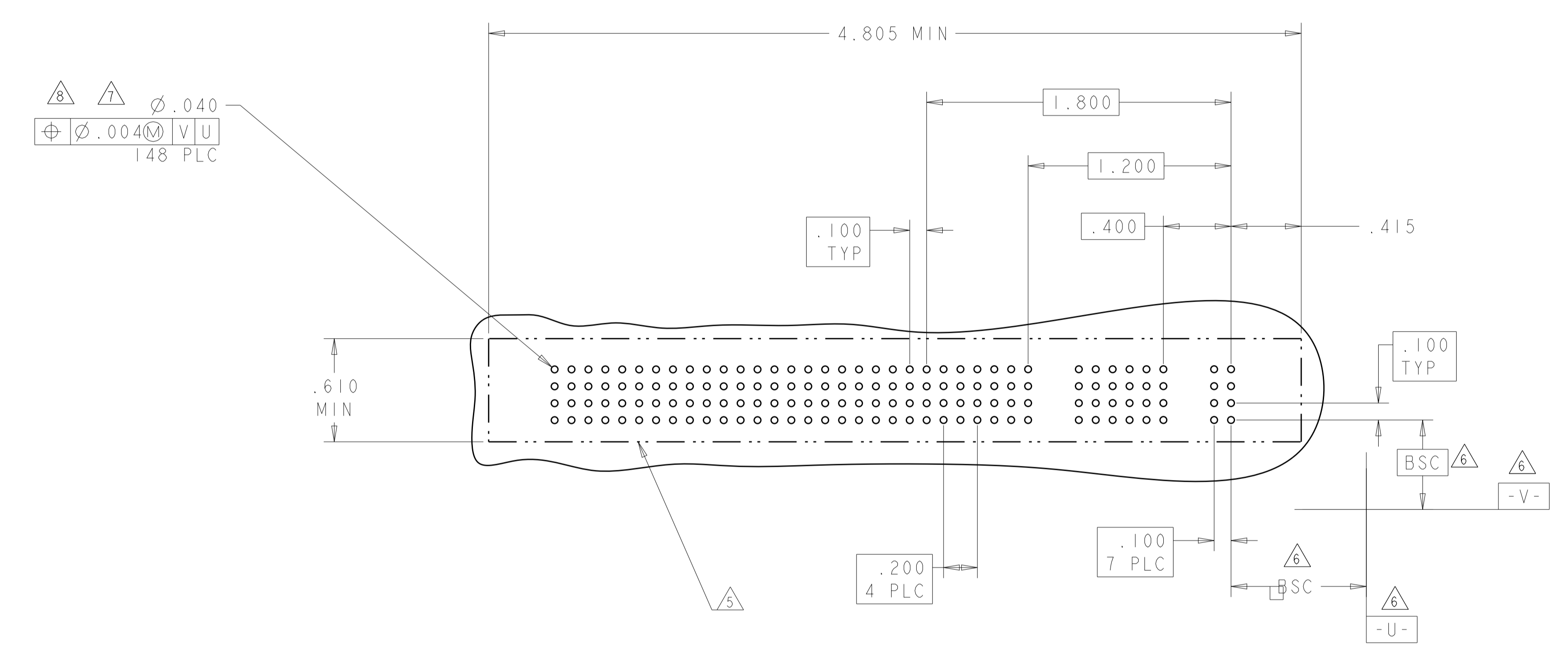
MATERIAL: -  
FINISH: -

SCALE: 4:1 SHEET: 8 OF 10 REV: H2



LOC		DIST		REVISIONS			
ES	00	P	LTH	DESCRIPTION	DATE	DWN	APVD
		-		SEE SHEET 1			

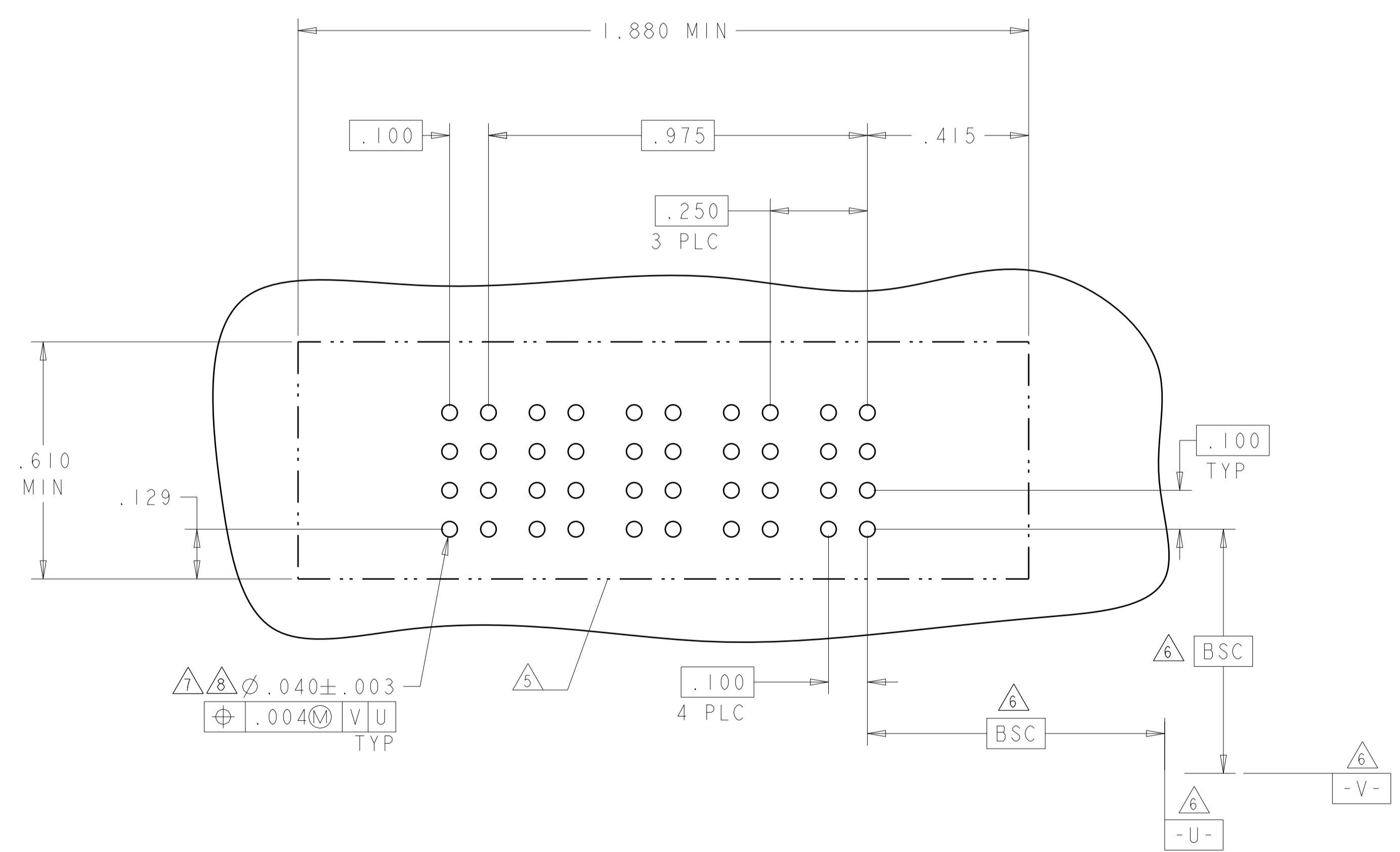
PART NUMBER	ROWS	SIGNAL																POWER															
		23	22	21	20	19	18	17	16	15	14	13	12	11	10	9	8	7	6	5	4	3	2	1	P9	P8	P7	P6	P5	P4	P3	P2	P1
2-6450542-7	D C B A	AP	AP	AP	AP	AP	AP	AP	AP	AP	AP	AP	AP	AP	AP	AP	AP	AP	AP				AP	AP	GS	GS	GS		GS	GS	GS		GP
		AP	AP	AP	AP	AP	AP	AP	AP	AP	AP	AP	AP	AP	AP	AP	AP	AP	AP				AP	AP									
		AP	AP	AP	AP	AP	AP	AP	AP	AP	AP	AP	AP	AP	AP	AP	AP	AP	AP				AP	AP									
		AP	AP	AP	AP	AP	AP	AP	AP	AP	AP	AP	AP	AP	AP	AP	AP	AP	AP				AP	AP									
9P + 92S																																	



THIS DRAWING IS A CONTROLLED DOCUMENT.		DWN R. GRZYBOWSKI 28FEB95	TE Connectivity <b>VERTICAL RECEPTACLE ASSEMBLY WITH GUIDES MULTI-BEAM XL</b>	
DIMENSIONS: INCHES		CHK M. PERCHERKE 28FEB05		
TOLERANCES UNLESS OTHERWISE SPECIFIED:		APVD M. PERCHERKE	NAME	
0 PLC ±.01		PRODUCT SPEC		
1 PLC ±.01		108-1973		
2 PLC ±.01		APPLICATION SPEC		
3 PLC ±.005		114-13038		
4 PLC ±.0020		WEIGHT		
ANGLES ±.2°		114-13038		
FINISH		CUSTOMER DRAWING		
MATERIAL		SCALE 4:1 SHEET 9 OF 10 REV H2		

LOC		DIST		REVISIONS			
ES	00	P	LTH	DESCRIPTION	DATE	DWN	APVD
		-		SEE SHEET 1			

PART NUMBER	ROWS	SIGNAL				POWER			
		2	1	P4	P3	P2	P1		
2-6450542-9	D C B A	AP	AP	GP	GP	GP	GP		
		AP	AP						
		AP	AP						
		AP	AP						
4P + 8S									



THIS DRAWING IS A CONTROLLED DOCUMENT.		DWN R. GRZYBOWSKI CHK M. PERCHERKE	28FEB95 28FEB05	TE Connectivity NAME VERTICAL RECEPTACLE ASSEMBLY WITH GUIDES MULTI-BEAM XL
DIMENSIONS: INCHES	TOLERANCES UNLESS OTHERWISE SPECIFIED:	APVD M. PERCHERKE	PRODUCT SPEC 108-1973	
0 PLC ± 1 PLC ±.01 2 PLC ±.01 3 PLC ±.005 4 PLC ±.0020 ANGLES ±.2°		APPLICATION SPEC 114-13038	RESTRICTED TO	
MATERIAL	FINISH	WEIGHT	SCALE 4:1	SIZE CAGE CODE DRAWING NO A100779C=6450542 SHEET 10 OF 10 REV H2
CUSTOMER DRAWING				

Компания «Life Electronics» занимается поставками электронных компонентов импортного и отечественного производства от производителей и со складов крупных дистрибьюторов Европы, Америки и Азии.

С конца 2013 года компания активно расширяет линейку поставок компонентов по направлению коаксиальный кабель, кварцевые генераторы и конденсаторы (керамические, пленочные, электролитические), за счёт заключения дистрибьюторских договоров

Мы предлагаем:

- Конкурентоспособные цены и скидки постоянным клиентам.
- Специальные условия для постоянных клиентов.
- Подбор аналогов.
- Поставку компонентов в любых объемах, удовлетворяющих вашим потребностям.
- Приемлемые сроки поставки, возможна ускоренная поставка.
- Доставку товара в любую точку России и стран СНГ.
- Комплексную поставку.
- Работу по проектам и поставку образцов.
- Формирование склада под заказчика.
- Сертификаты соответствия на поставляемую продукцию (по желанию клиента).
- Тестирование поставляемой продукции.
- Поставку компонентов, требующих военную и космическую приемку.
- Входной контроль качества.
- Наличие сертификата ISO.

В составе нашей компании организован Конструкторский отдел, призванный помогать разработчикам, и инженерам.

Конструкторский отдел помогает осуществить:

- Регистрацию проекта у производителя компонентов.
- Техническую поддержку проекта.
- Защиту от снятия компонента с производства.
- Оценку стоимости проекта по компонентам.
- Изготовление тестовой платы монтаж и пусконаладочные работы.



Тел: +7 (812) 336 43 04 (многоканальный)

Email: [org@lifeelectronics.ru](mailto:org@lifeelectronics.ru)