

Interactive Catalog Replaces Catalog Pages

Honeywell Sensing and Control has replaced the PDF product catalog with the new **Interactive Catalog**. The **Interactive Catalog** is a power search tool that makes it easier to find product information. It includes more installation, application, and technical information than ever before.



**Click this icon to try the new
Interactive Catalog.**

Sensing and Control

Honeywell Inc.

11 West Spring Street

Freeport, Illinois 61032

Pressure Sensors

High Pressure Gage, Vacuum Gage/Amplified

240PC Series



FEATURES

- Internal O-Ring seals for contamination resistance
- Screw-in or flat-pack mounting
- Rugged aluminum housing

240PC SERIES PERFORMANCE CHARACTERISTICS at 8.0 ±0.01 VDC Excitation, 25°C

	Min.	Typ.	Max.	Units
Excitation	7.00	8.00	16.0	VDC
Supply Current	---	8.00	20.0	mA
Current Sourcing Output	---	---	10	mA
Null Offset (241/242PC) *	0.95	1.00	1.05	V
Null Offset (243PC) **	3.45	3.50	3.55	V
Output at Full Pressure**	5.80	6.00	6.20	V
Span (241/242PC)	4.80	5.00	5.20	V
Span (243PC)	---	±2.5	---	V
Ratiometricity Error				
7 to 8 V or 8 to 9 V	---	±0.50	---	%Span
9 to 12 V	---	±2.00	---	
Stability over One Year	---	±0.50	---	%Span
Response Time	---	---	1.00	msec
Weight	---	85	---	grams
Short Circuit Protection	Output may be shorted indefinitely to ground			
Output Ripple	None, DC device			
Ground Reference	Supply and output are common			

*Positive (or negative) pressure measurement

**Positive and negative pressure measurement

ENVIRONMENTAL SPECIFICATIONS

Operating Temperature	-40° to +85°C (-40° to +185°F)
Storage Temperature	-40° to +85°C (-40° to +185°F)
Compensated Temperature	-18° to +63°C (0° to +145°F)
Shock	MIL-STD-202, Method 213 (50 g, half sine, 6 msec)
Vibration	MIL-STD-202, Method 204 (10 to 2000 Hz at 10 g)
Media	P2 port Wetted materials; die-cast aluminum housing, O-ring seal, silicon, borosilicate glass, and silicon-to-glass bond*

*Liquid media containing some highly ionic solutions could potentially neutralize the chip-to-glass tube bond.

Amplified

Pressure Sensors

240PC Series

High Pressure Gage, Vacuum Gage/Amplified

241/242PC SERIES ORDER GUIDE, GAGE AND VACUUM GAGE, Buna-N O-Ring Port Seal

Catalog Listing	Pressure Range psi	Null & Sensitivity Shift (%Span)		Sensitivity V/psi	Overpressure psi Max.	Linearity, %Span B.F.S.L., Max.	Repeatability & Hysteresis %Span Typ.
		25 to -18° 25 to +63°C Max.	25 to -40° 25 to 85°C Typ.				
241PC15M*	0--15	±1.0	±2.0	0.330	45	±1.50	±0.25
242PC15M*	0-15	±1.0	±2.0	0.330	45	±1.50	±0.25
242PC30M*	0-30	±1.0	±2.0	0.167	60	±1.50	±0.25
242PC60G	0-60	±1.5	±2.0	0.083	120	±0.50	±0.25
242PC100G	0-100	±1.0	±2.0	0.050	200	±0.50	±0.25
242PC150G	0-150	±1.5	±3.0	0.033	300	±0.50	±0.25
242PC250G	0-250	±1.0	±2.0	0.020	500	±0.50	±0.25

242PC SERIES ORDER GUIDE, GAGE, Ethylene propylene O-Ring Seal

Catalog Listing	Pressure Range psi	Null & Sensitivity Shift (%Span)		Sensitivity V/psi	Overpressure psi Max.	Linearity, %Span B.F.S.L., Max.	Repeatability & Hysteresis %Span Typ.
		25 to -18° 25 to +63°C Max.	25 to -40° 25 to 85°C Typ.				
242PC60GS	0-60	±1.5	±2.0	0.083	120	±0.50	±0.25
242PC100GS	0-100	±1.0	±2.0	0.050	200	±0.50	±0.25
242PC150GS	0-150	±1.5	±3.0	0.033	300	±0.50	±0.25
242PC250GS	0-250	±1.0	±2.0	0.020	500	±0.50	±0.25

243PC SERIES ORDER GUIDE, VACUUM GAGE, Buna-N Port Seal

Catalog Listing	Pressure Range psi	Null & Sensitivity Shift (%Span)		Sensitivity V/psi	Overpressure psi Max.	Linearity, BFSL		Repeatability & Hysteresis %Span Typ.
		25 to -18° 25 to +63°C Max.	25 to -40° 25 to 85°C Typ.			P2 > P1 Max.	P2 < P1 Max.	
243PC15M*	±15	±1	±2.0	0.167	50	±1.50	±0.75	±0.25

* Adhesive between thermoplastic and aluminum instead of O-ring seal.

PORT SEAL O-RING

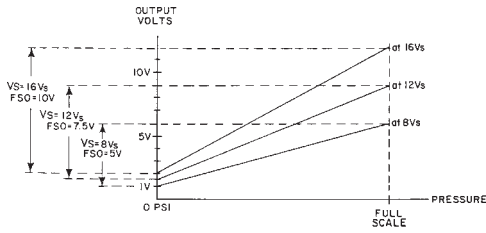
Material	Resistant To:
Buna-N (general use)	Petroleum products, freon 12 and others
Ethylene propylene	Phosphate esters and others

Pressure Sensors

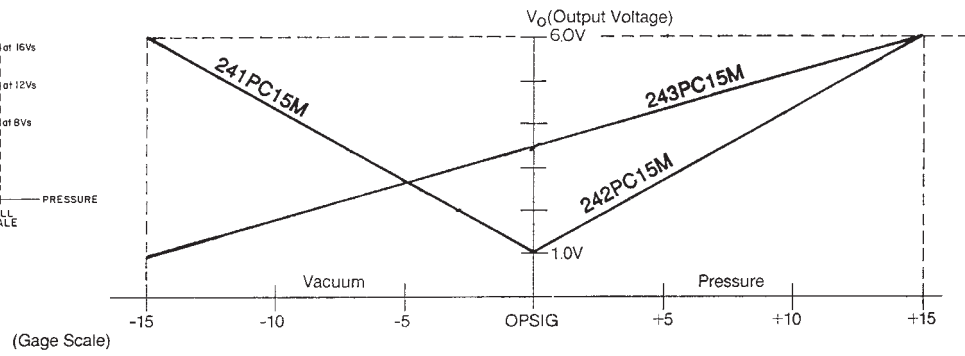
High Pressure Gage, Vacuum Gage/Amplified

240PC Series

RATIOMETRICITY



SCALING OF 240PC SERIES WITH 8V EXCITATION



Ratiometricity refers to the output voltage being directly proportional to supply voltage. 240PC sensors in this catalog are calibrated at 8 VDC supply voltage to provide a 1-6 volt (5 V Span) output swing. For example, if supply increases by 50% to 12 VDC, the output voltage increased by 50% to 1.5-9 volts (7.5 V Span).

NOTE

The output is not perfectly ratiometric. See Accuracy specifications for the degree of error.

242PC15M	Gage	$V_o = 1 \text{ V at } 0 \text{ psig \& } 6 \text{ V at } 15 \text{ psig}$
241PC15M	Vacuum Gage	$V_o = 1 \text{ V at } 0 \text{ psig \& } 6 \text{ V at } -15 \text{ psig}$
243PC15M	Gage	$V_o = 1 \text{ V at } -15 \text{ psig \& } 6 \text{ V at } 15 \text{ psig}$

NOTE: 241PC sensors are scaled for greater pressure on the P1 side of the chip. 242PC sensors are scaled for greater pressure on the P2 side of the chip. Other scalings available upon request.

Amplified

Pressure Sensors

High Pressure Gage, Vacuum Gage/Amplified

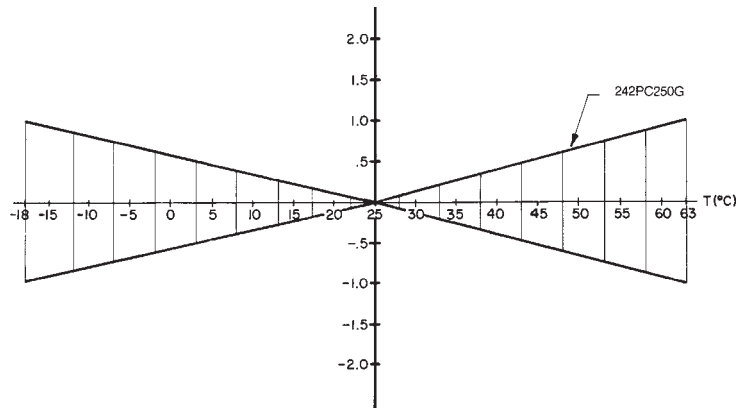
240PC Series

NULL AND SENSITIVITY TEMPERATURE SHIFT

Amplified pressure sensors are 100% tested to ensure that the maximum null and sensitivity temperature shift does not exceed the specification. The diagram illustrates how null and sensitivity shift relates to temperature. Note that the maximum shift occurs at temperature extremes. Therefore, if a sensor is not exposed to the entire temperature range, the maximum null and sensitivity shift will actually be less than the value specified.

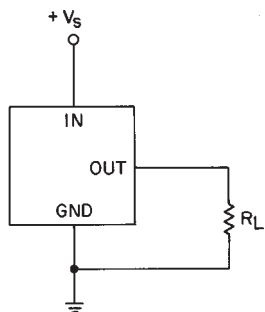
This diagram indicates the temperature shift pertaining to a few listings. Maximum null and sensitivity shift varies from listing to listing.

Null and Sensitivity Shift (% Span)



ELECTRICAL CONNECTIONS

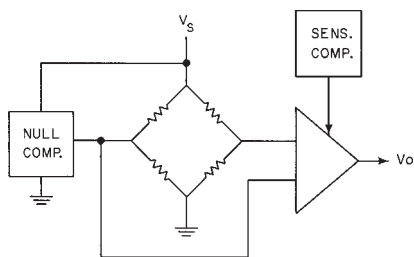
Voltage Excitation



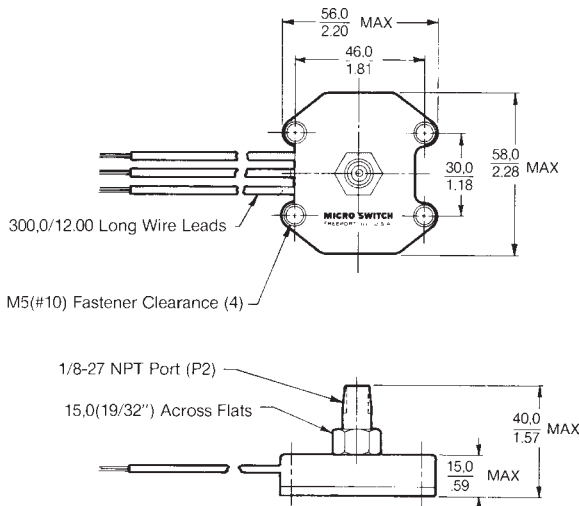
NOTES

1. Terminals are labeled on the sensor.
2. Input and output share a common ground.
3. R_L must be greater than or equal to 3000 ohms.

INTERNAL CIRCUITRY



MOUNTING DIMENSIONS (For reference only)



Leadwires

- 1 - Red, V_s
- 2 - Black, Ground (-)
- 3 - Green, Output

Компания «Life Electronics» занимается поставками электронных компонентов импортного и отечественного производства от производителей и со складов крупных дистрибьюторов Европы, Америки и Азии.

С конца 2013 года компания активно расширяет линейку поставок компонентов по направлению коаксиальный кабель, кварцевые генераторы и конденсаторы (керамические, пленочные, электролитические), за счёт заключения дистрибьюторских договоров

Мы предлагаем:

- Конкурентоспособные цены и скидки постоянным клиентам.
- Специальные условия для постоянных клиентов.
- Подбор аналогов.
- Поставку компонентов в любых объемах, удовлетворяющих вашим потребностям.
- Приемлемые сроки поставки, возможна ускоренная поставка.
- Доставку товара в любую точку России и стран СНГ.
- Комплексную поставку.
- Работу по проектам и поставку образцов.
- Формирование склада под заказчика.
- Сертификаты соответствия на поставляемую продукцию (по желанию клиента).
- Тестирование поставляемой продукции.
- Поставку компонентов, требующих военную и космическую приемку.
- Входной контроль качества.
- Наличие сертификата ISO.

В составе нашей компании организован Конструкторский отдел, призванный помогать разработчикам, и инженерам.

Конструкторский отдел помогает осуществить:

- Регистрацию проекта у производителя компонентов.
- Техническую поддержку проекта.
- Защиту от снятия компонента с производства.
- Оценку стоимости проекта по компонентам.
- Изготовление тестовой платы монтаж и пусконаладочные работы.



Тел: +7 (812) 336 43 04 (многоканальный)

Email: org@lifeelectronics.ru