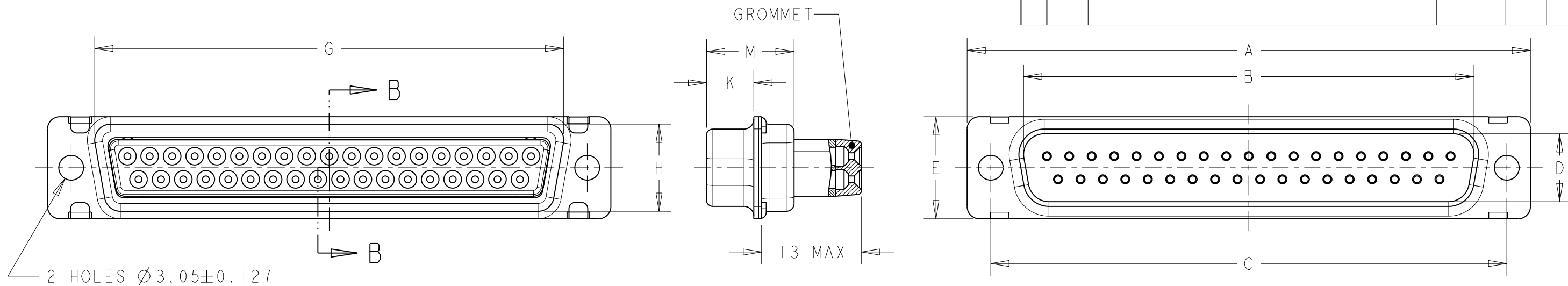


LOC	DIST	REVISIONS				
P	LTR	DESCRIPTION	DATE	DWN	APVD	
F	00	E	13 WAS 11.9 MAX. UPDATE NOTE 5 AND FORMAT	24OCT2011	JT	YP

PLUG TYPE MDP

SECTION B-B



M±0.25	K±0.13	G±0.25	H±0.25	E±0.38	D±0.13	C±0.13	B±0.13	A±0.38	DESCRIPTION	Nb POS.	SIZE	OLD P/N	P/N
10.82	5.84	55.32	13.56	15.37	11.20	61.11	52.81	66.93	PLUG	50	5	MDP308G - 50P2 - 001	1-1236089-0
10.82	5.84	57.71	10.72	12.55	8.36	63.50	55.42	69.32	PLUG	37	4	MDP308G - 37P2 - 001	1236089-9
10.82	5.84	41.30	10.72	12.55	8.36	47.04	38.96	53.04	PLUG	25	3	MDP308G - 25P2 - 001	1236089-8
10.72	5.97	27.51	10.72	12.55	8.36	33.32	25.25	39.14	PLUG	15	2	MDP308G - 15P2 - 001	1236089-7
10.72	5.97	19.28	10.72	12.55	8.36	24.99	16.92	30.81	PLUG	9	1	MDP308G - 9P2 - 001	1236089-6
10.82	5.84	55.32	13.56	15.37	11.20	61.11	52.81	66.93	PLUG WITH #20 PIN CONTACTS	50	5	MDP308G - 50P2	1236089-5
10.82	5.84	57.71	10.72	12.55	8.36	63.50	55.42	69.32	PLUG WITH #20 PIN CONTACTS	37	4	MDP308G - 37P2	1236089-4
10.82	5.84	41.30	10.72	12.55	8.36	47.04	38.96	53.04	PLUG WITH #20 PIN CONTACTS	25	3	MDP308G - 25P2	1236089-3
10.72	5.97	27.51	10.72	12.55	8.36	33.32	25.25	39.14	PLUG WITH #20 PIN CONTACTS	15	2	MDP308G - 15P2	1236089-2
10.72	5.97	19.28	10.72	12.55	8.36	24.99	16.92	30.81	PLUG WITH #20 PIN CONTACTS	9	1	MDP308G - 9P2	1236089-1
												STANDARD MOUNT	

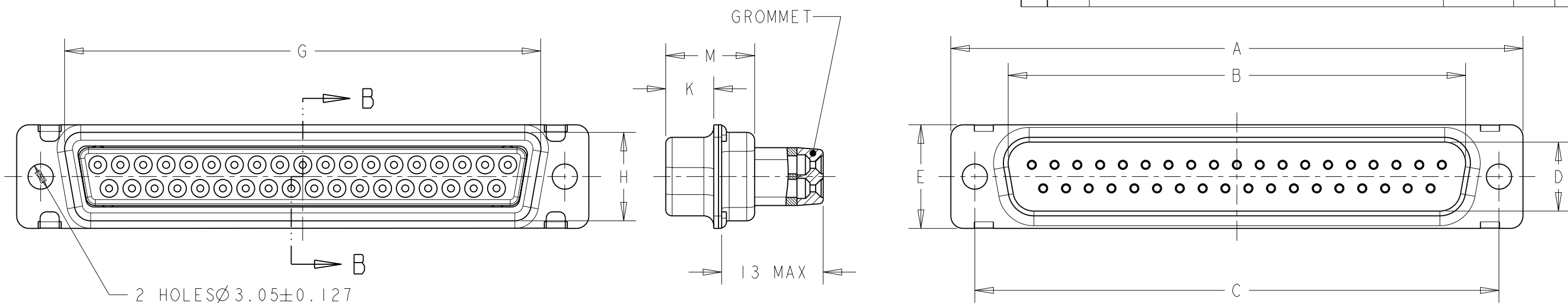
SEE NOTES ON LAST SHEET

THIS DRAWING IS A CONTROLLED DOCUMENT.		DWN J. THUEZ 29MAY2009	STE TE Connectivity	
DIMENSIONS: mm		CHK Y. PETRONIN 03JUN2009		
TOLERANCES UNLESS OTHERWISE SPECIFIED:		APVD Y. PETRONIN 03JUN2009	NAME SUB D PLUG WITH WIRE BUSHING MDP TYPE	
0 PLC ±0.5 1 PLC ±0.1 2 PLC ±0.02 3 PLC ±0.005 4 PLC ± ANGLES ±30'		PRODUCT SPEC -	APPLICATION SPEC NOTE 7	
MATERIAL NOTE 3		FINISH NOTE 4	SIZE A3	CAGE CODE 00779
			DRAWING NO C-1236089	RESTRICTED TO -
			SCALE 2:1	SHEET 1 OF 6
			CUSTOMER DRAWING	REV E

LOC	DIST	REVISIONS				
P	LTR	DESCRIPTION	DATE	DWN	APVD	
F	00	-	SEE SHEET 1	-	-	

PLUG TYPE MDP

SECTION B-B



10.82	5.84	58.47	15.14	16.97	12.78	63.50	56.18	69.32	PLUG	104	6	MDP308G - 66104P2 - 001	4-1236089-1
10.82	5.84	55.32	13.56	15.37	11.20	61.11	52.81	66.93	PLUG	78	5	MDP308G - 5078P2 - 001	4-1236089-0
10.82	5.84	57.71	10.72	12.55	8.36	63.50	55.42	69.32	PLUG	62	4	MDP308G - 3762P2 - 001	3-1236089-9
10.82	5.84	41.30	10.72	12.55	8.36	47.04	38.96	53.04	PLUG	44	3	MDP308G - 2544P2 - 001	3-1236089-8
10.72	5.97	27.51	10.72	12.55	8.36	33.32	25.25	39.14	PLUG	26	2	MDP308G - 1526P2 - 001	3-1236089-7
10.72	5.97	19.28	10.72	12.55	8.36	24.99	16.92	30.81	PLUG	15	1	MDP308G - 915P2 - 001	3-1236089-6
10.82	5.84	58.47	15.14	16.97	12.78	63.50	56.18	69.32	PLUG WITH #22 PIN CONTACTS	104	6	MDP308G - 66104P2	3-1236089-5
10.82	5.84	55.32	13.56	15.37	11.20	61.11	52.81	66.93	PLUG WITH #22 PIN CONTACTS	78	5	MDP308G - 5078P2	3-1236089-4
10.82	5.84	57.71	10.72	12.55	8.36	63.50	55.42	69.32	PLUG WITH #22 PIN CONTACTS	62	4	MDP308G - 3762P2	3-1236089-3
10.82	5.84	41.30	10.72	12.55	8.36	47.04	38.96	53.04	PLUG WITH #22 PIN CONTACTS	44	3	MDP308G - 2544P2	3-1236089-2
10.72	5.97	27.51	10.72	12.55	8.36	33.32	25.25	39.14	PLUG WITH #22 PIN CONTACTS	26	2	MDP308G - 1526P2	3-1236089-1
10.72	5.97	19.28	10.72	12.55	8.36	24.99	16.92	30.81	PLUG WITH #22 PIN CONTACTS	15	1	MDP308G - 915P2	3-1236089-0
M±0.25	K±0.13	G±0.25	H±0.25	E±0.38	D±0.13	C±0.13	B±0.13	A±0.38	DESCRIPTION	NB POS	SIZE	OLD P/N	P/N 2
STANDARD MOUNT HIGH DENSITE													

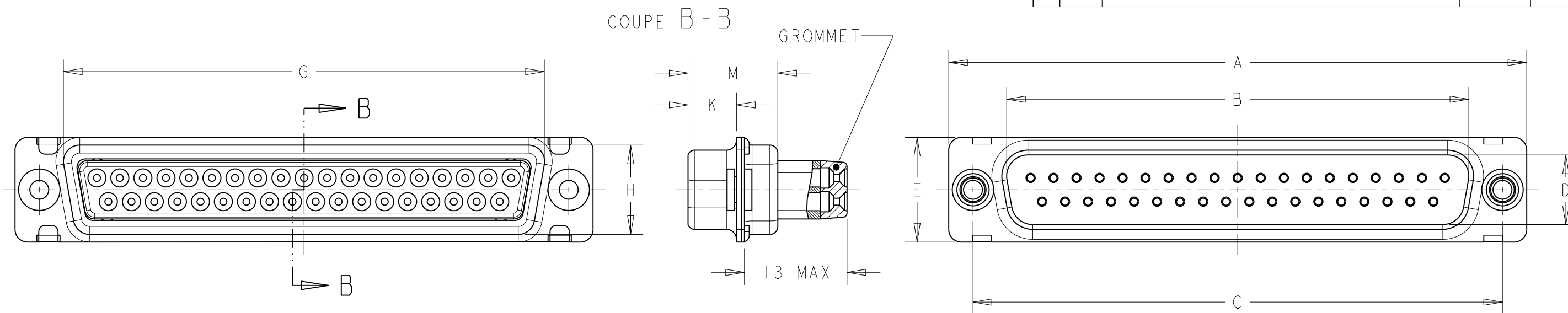
SEE NOTES ON LAST SHEET

THIS DRAWING IS A CONTROLLED DOCUMENT.		DWN J. THUEZ 29MAY2009	STE TE Connectivity	
DIMENSIONS: mm		CHK Y. PETRONIN 03JUN2009		
TOLERANCES UNLESS OTHERWISE SPECIFIED:		APVD Y. PETRONIN 03JUN2009	NAME SUB D PLUG WITH WIRE BUSHING MDP TYPE	
0 PLC ±0.5 1 PLC ±0.1 2 PLC ±0.02 3 PLC ±0.005 4 PLC ANGLES ±° ±0.30'		PRODUCT SPEC -	APPLICATION SPEC NOTE 7	
MATERIAL NOTE 3		FINISH NOTE 4	WEIGHT -	RESTRICTED TO -
		CUSTOMER DRAWING	SIZE A3	CAGE CODE 00779
			DRAWING NO C-1236089	SCALE 2:1
				SHEET 2 OF 6
				REV E

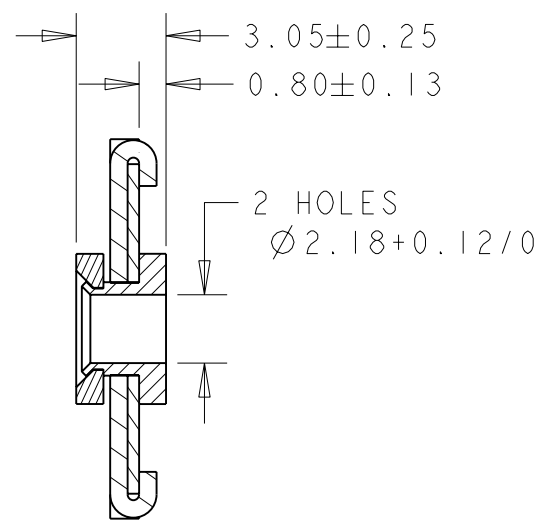
LOC	DIST
F	00

REVISIONS					
P	LTR	DESCRIPTION	DATE	DWN	APVD
-	-	SEE SHEET 1	-	-	-

PLUG TYPE MDP



COUPE A-A ECHELLE 4:1



M±0.25	K±0.13	G±0.25	H±0.25	E±0.38	D±0.13	C±0.13	B±0.13	A±0.38	DESCRIPTION	Nb POS	SIZE	OLD P/N	P/N
10.82	5.84	55.32	13.56	15.37	11.20	61.11	52.81	66.93	PLUG	50	5	MDP308GF - 50P2 - 001	2-1236089-0
10.82	5.84	57.71	10.72	12.55	8.36	63.50	55.42	69.32	PLUG	37	4	MDP308GF - 37P2 - 001	1-1236089-9
10.82	5.84	41.30	10.72	12.55	8.36	47.04	38.96	53.04	PLUG	25	3	MDP308GF - 25P2 - 001	1-1236089-8
10.72	5.97	27.51	10.72	12.55	8.36	33.32	25.25	39.14	PLUG	15	2	MDP308GF - 15P2 - 001	1-1236089-7
10.72	5.97	19.28	10.72	12.55	8.36	24.99	16.92	30.81	PLUG	9	1	MDP308GF - 9P2 - 001	1-1236089-6
10.82	5.84	55.32	13.56	15.37	11.20	61.11	52.81	66.93	PLUG WITH #20 PIN CONTACTS	50	5	MDP308GF - 50P2	1-1236089-5
10.82	5.84	57.71	10.72	12.55	8.36	63.50	55.42	69.32	PLUG WITH #20 PIN CONTACTS	37	4	MDP308GF - 37P2	1-1236089-4
10.82	5.84	41.30	10.72	12.55	8.36	47.04	38.96	53.04	PLUG WITH #20 PIN CONTACTS	25	3	MDP308GF - 25P2	1-1236089-3
10.72	5.97	27.51	10.72	12.55	8.36	33.32	25.25	39.14	PLUG WITH #20 PIN CONTACTS	15	2	MDP308GF - 15P2	1-1236089-2
10.72	5.97	19.28	10.72	12.55	8.36	24.99	16.92	30.81	PLUG WITH #20 PIN CONTACTS	9	1	MDP308GF - 9P2	1-1236089-1
												FLOATING BUSHING	

THIS DRAWING IS A CONTROLLED DOCUMENT.

DWN J. THUEZ 29MAY2009

CHK Y. PETRONIN 03JUN2009

APVD Y. PETRONIN 03JUN2009

PRODUCT SPEC

APPLICATION SPEC

NOTE 7

WEIGHT -

CUSTOMER DRAWING



TE Connectivity

NAME
SUB D PLUG
WITH WIRE BUSHING
MDP TYPE

SIZE CAGE CODE DRAWING NO

A300779 C-1236089

RESTRICTED TO

-

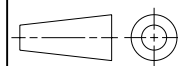
SCALE 2:1

SHEET 3 OF 6

REV E

SEE NOTES ON LAST SHEET

DIMENSIONS:
mm



MATERIAL NOTE 3

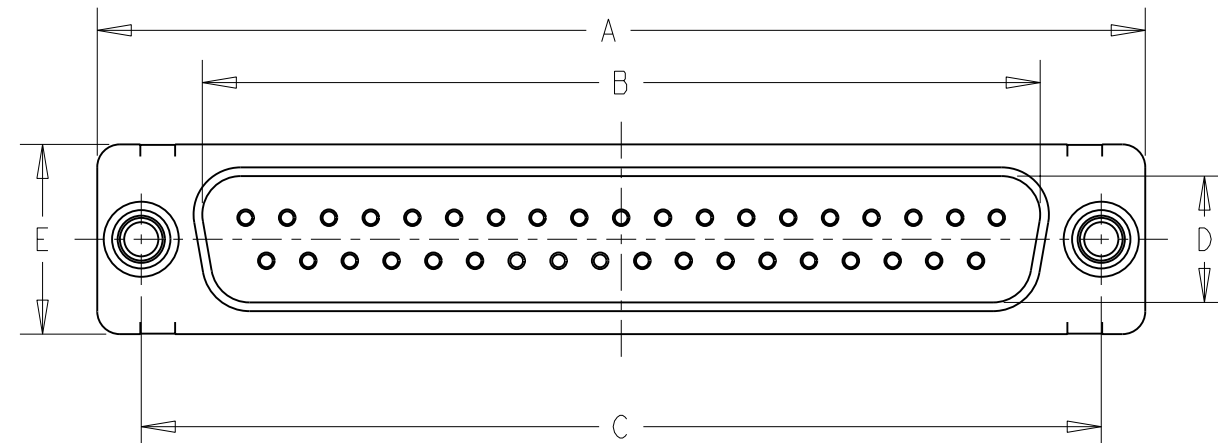
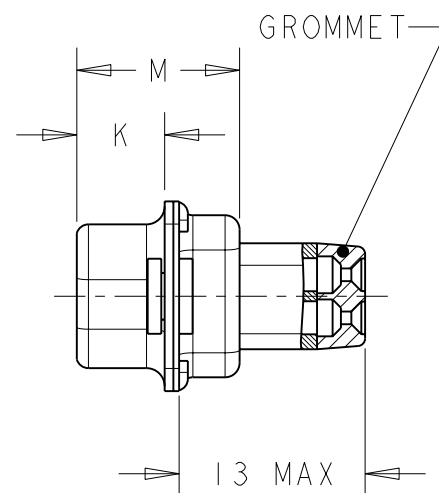
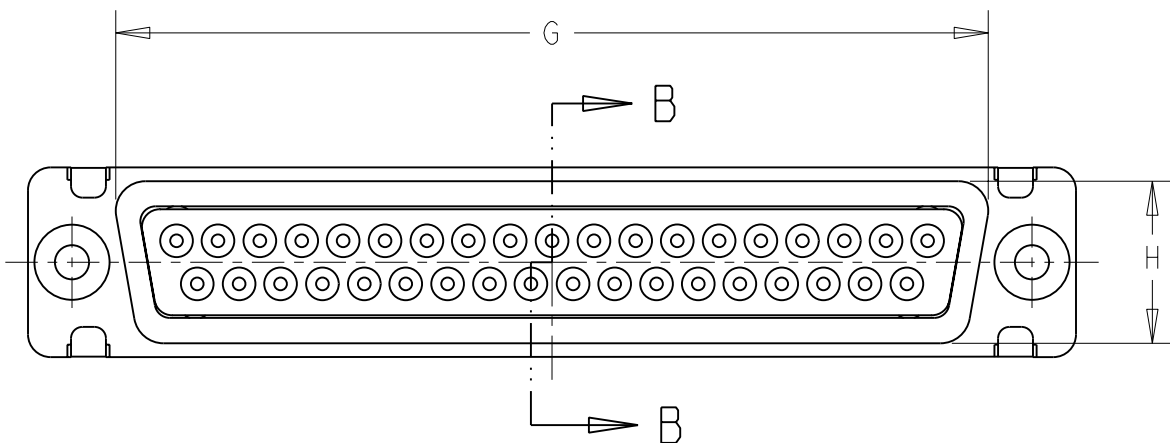
TOLERANCES UNLESS OTHERWISE SPECIFIED:

0 PLC	±0.5
1 PLC	±0.1
2 PLC	±0.02
3 PLC	±0.005
4 PLC	±
ANGLES	±0.30°
FINISH	NOTE 4

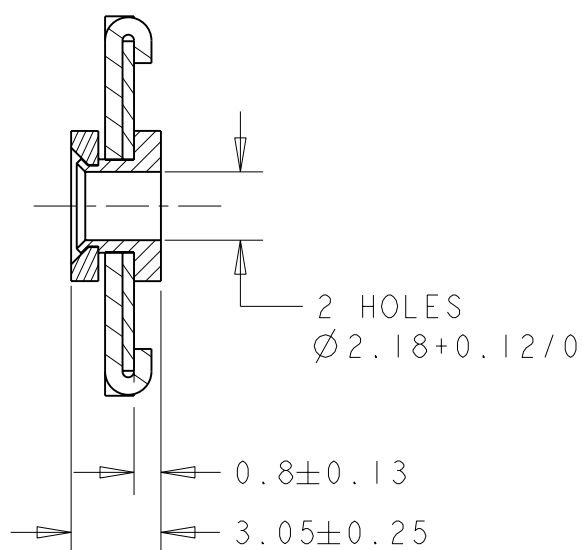
LOC	DIST	REVISIONS			
P	LTR	DESCRIPTION	DATE	DWN	APVD
F	00	-	SEE SHEET 1	-	-

PLUG TYPE MDP

SECTION B-B



COUPE A-A ECHELLE 4:1



M±0.25	K±0.13	G±0.25	H±0.25	E±0.38	D±0.13	C±0.13	B±0.13	A±0.38	DESCRIPTION	NB POS	SIZE	OLD P/N	P/N 2
10.82	5.84	58.47	15.14	16.97	12.78	63.50	56.18	69.32	PLUG	104	6	MDP308GF - 66104P2 - 001	6-1236089-1
10.82	5.84	55.32	13.56	15.37	11.20	61.11	52.81	66.93	PLUG	78	5	MDP308GF - 5078P2 - 001	6-1236089-0
10.82	5.84	57.71	10.72	12.55	8.36	63.50	55.42	69.32	PLUG	62	4	MDP308GF - 3762P2 - 001	5-1236089-9
10.82	5.84	41.30	10.72	12.55	8.36	47.04	38.96	53.04	PLUG	44	3	MDP308GF - 2544P2 - 001	5-1236089-8
10.72	5.97	27.51	10.72	12.55	8.36	33.32	25.25	39.14	PLUG	26	2	MDP308GF - 1526P2 - 001	5-1236089-7
10.72	5.97	19.28	10.72	12.55	8.36	24.99	16.92	30.81	PLUG	15	1	MDP308GF - 915P2 - 001	5-1236089-6
10.82	5.84	58.47	15.14	16.97	12.78	63.50	56.18	69.32	PLUG WITH #22 PIN CONTACTS	104	6	MDP308GF - 66104P2	5-1236089-5
10.82	5.84	55.32	13.56	15.37	11.20	61.11	52.81	66.93	PLUG WITH #22 PIN CONTACTS	78	5	MDP308GF - 5078P2	5-1236089-4
10.82	5.84	57.71	10.72	12.55	8.36	63.50	55.42	69.32	PLUG WITH #22 PIN CONTACTS	62	4	MDP308GF - 3762P2	5-1236089-3
10.82	5.84	41.30	10.72	12.55	8.36	47.04	38.96	53.04	PLUG WITH #22 PIN CONTACTS	44	3	MDP308GF - 2544P2	5-1236089-2
10.72	5.97	27.51	10.72	12.55	8.36	33.32	25.25	39.14	PLUG WITH #22 PIN CONTACTS	26	2	MDP308GF - 1526P2	5-1236089-1
10.72	5.97	19.28	10.72	12.55	8.36	24.99	16.92	30.81	PLUG WITH #22 PIN CONTACTS	15	1	MDP308GF - 915P2	5-1236089-0
												FLOATING BUSHING HIGH DENSITE	

SEE NOTES ON LAST SHEET

THIS DRAWING IS A CONTROLLED DOCUMENT.

DIMENSIONS: mm	TOLERANCES UNLESS OTHERWISE SPECIFIED:
	0 PLC ±0.5 1 PLC ±0.1 2 PLC ±0.02 3 PLC ±0.005 4 PLC ANGLES ±°30'
MATERIAL NOTE 3	FINISH NOTE 4

DWN J. THUEZ 29MAY2009	CHK Y. PETRONIN 03JUN2009	APVD Y. PETRONIN 03JUN2009
PRODUCT SPEC	APPLICATION SPEC	NOTE 7
WEIGHT	-	

STE TE Connectivity

NAME: SUB D PLUG WITH WIRE BUSHING MDP TYPE

SIZE: A3 CAGE CODE: 00779 DRAWING NO: 1236089

RESTRICTED TO: -

THIS DRAWING IS UNPUBLISHED.

RELEASED FOR PUBLICATION

20

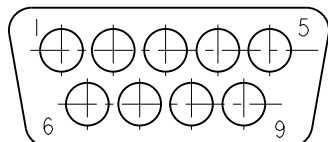
LOC F DIST 00

REVISIONS

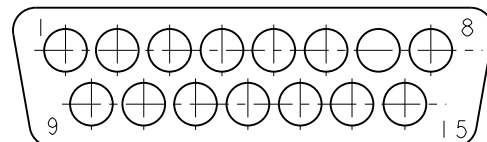
© COPYRIGHT 20 Tyco Electronics AMP GmbH ALL RIGHTS RESERVED.

P	LTR	DESCRIPTION	DATE	DWN	APVD
	-	SEE SHEET 1	-	-	-

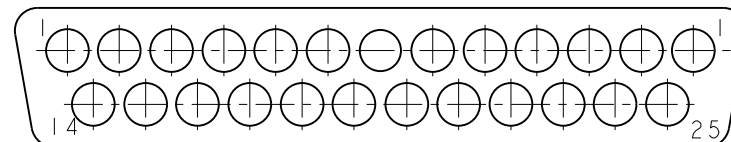
MATING FACE OF PLUG SHOWN CONFIGURATIONS FOR #20 CONTACTS



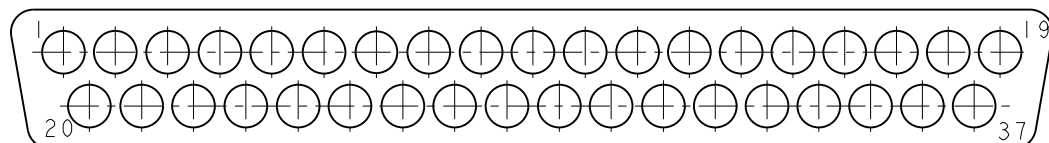
9 POSITION MS18273-1
SHELL SIZE 1



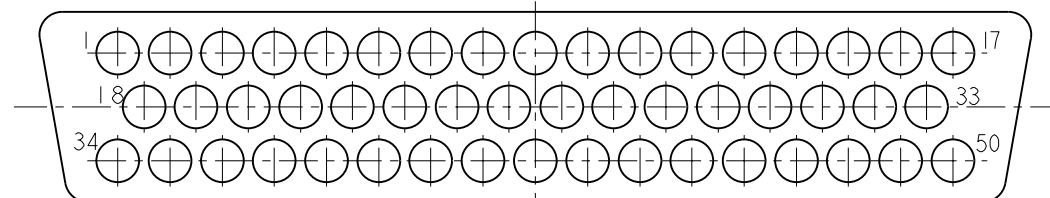
15 POSITION MS18274-1
SHELL SIZE 2



25 POSITION MS18275-1
SHELL SIZE 3

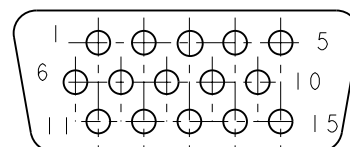


37 POSITION MS18276-1
SHELL SIZE 4

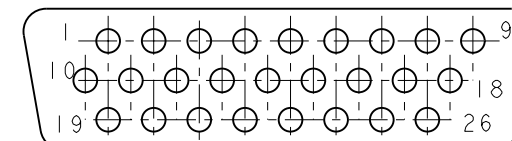


50 POSITION MS18277-1
SHELL SIZE 5

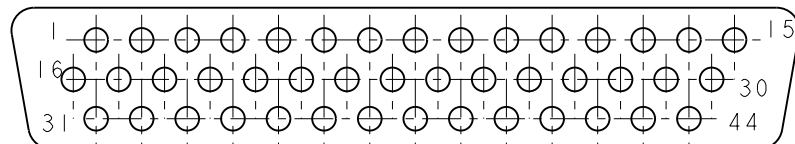
CONFIGURATIONS FOR #22 CONTACTS MATING FACE OF PLUG SHOWN



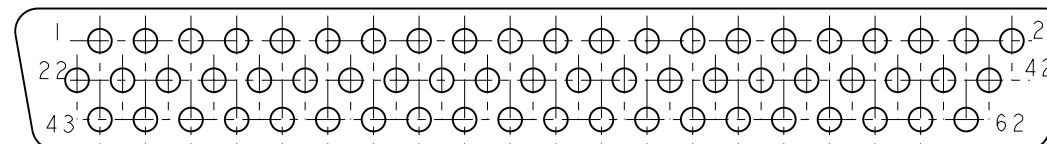
15 POSITION MS18273-2
SHELL SIZE 1



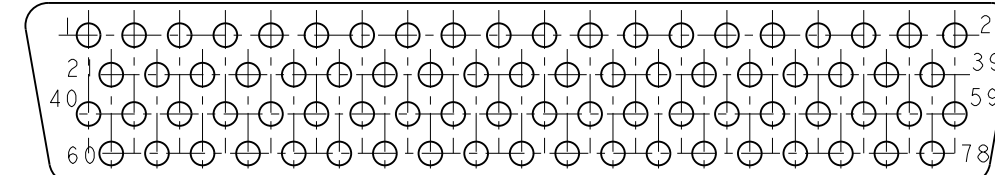
26 POSITION MS18274-2
SHELL SIZE 2



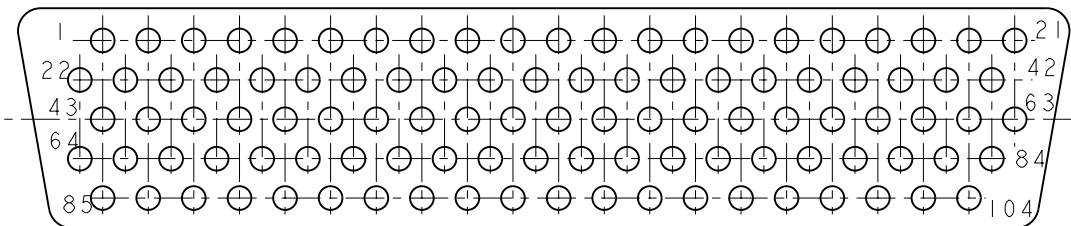
44 POSITION MS18275-2
SHELL SIZE 3



62 POSITION MS18276-2
SHELL SIZE 4


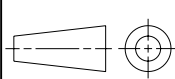


78 POSITION MS18277-2
SHELL SIZE 5



104 POSITION MS14004-1
SHELL SIZE 6

SEE NOTES ON LAST SHEET

THIS DRAWING IS A CONTROLLED DOCUMENT.		DWN J. THUEZ 29MAY2009	 TE Connectivity	
DIMENSIONS: mm		CHK Y. PETRONIN 03JUN2009		
TOLERANCES UNLESS OTHERWISE SPECIFIED:		APVD Y. PETRONIN 03JUN2009	NAME SUB D PLUG WITH WIRE BUSHING MDP TYPE	
		PRODUCT SPEC	SIZE A3	
0 PLC ±0.5 1 PLC ±0.1 2 PLC ±0.02 3 PLC ±0.005 4 PLC ANGLES ±°030'		APPLICATION SPEC NOTE 7	CAGE CODE 300779	DRAWING NO C-1236089
MATERIAL NOTE 3		FINISH NOTE 4	RESTRICTED TO -	
		WEIGHT -	SCALE 2:1 SHEET 5 OF 6 REV E	
		CUSTOMER DRAWING		

THIS DRAWING IS UNPUBLISHED. RELEASED FOR PUBLICATION 20
 © COPYRIGHT 20 Tyco Electronics AMP GmbH ALL RIGHTS RESERVED.

LOC	DIST	REVISIONS			
P	LTR	DESCRIPTION	DATE	DWN	APVD
F	00	-	SEE SHEET 1	-	-

1 THIS CONNECTOR MEETS THE REQUIREMENTS OF MIL-DTL-24308

2 PART NUMBER FOR ORDERING

3- MATERIALS :
 SHELL : STEEL, CD PLATED
 HOUSING : PBT, GLASS FILLED, UL94V0
 RETAINING CLIP : STAINLESS STEEL
 GROMMET : FLUOROSILICONE ELASTOMER
 CONTACT: COPPER ALLOY, GOLD PLATED OVER NICKEL

4- CABLES EXTERNAL DIAMETER FOR CONTACTS #20 : $\varnothing 0.85$ to $\varnothing 1.83$
 CABLES EXTERNAL DIAMETER FOR CONTACTS #22 : $\varnothing 1.37$ MAX

5- CONNECTOR MARKING:
 . MANUFACTURER IDENTIFICATION
 . PART NUMBER
 . DATE-CODE

6- INSERT ARRANGEMENT PER MIL-DTL-24308


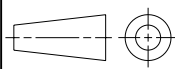
7- FOR CONTACT CRIMPING INSTRUCTION SHEET REFER TO SPEC IS 7516
 FOR CONTACT INSTALATION/ REMOVAL INSTRUCTION SHEET REFER TO SPEC IS 7508

8- #20 SOCKET CRIMP CONTACT P/N: 205090-1
 #20 PIN CRIMP CONTACT P/N: 205089-1

#22D SOCKET CRIMP CONTACT P/N: 204351-1
 #22D PIN CRIMP CONTACT P/N: 204370-2

9- INSERTION/EXTRACTION TOOL P/N: 91067-2
 INSERTION/EXTRACTION TOOL P/N: 91067-1

10- CRIMP WITH HAND TOOL: 601966-1 + DIE INSERT : 601966-4
 CRIMP WITH HAND TOOL: M22520/02-01 + POSITIONNER : M22520/02-06

THIS DRAWING IS A CONTROLLED DOCUMENT.		DWN J. THUEZ 29MAY2009	 TE Connectivity	
DIMENSIONS: mm		CHK Y. PETRONIN 03JUN2009		
		APVD Y. PETRONIN 03JUN2009	NAME SUB D PLUG WITH WIRE BUSHING MDP TYPE	
TOLERANCES UNLESS OTHERWISE SPECIFIED: 0 PLC ±0.5 1 PLC ±0.1 2 PLC ±0.02 3 PLC ±0.005 4 PLC ± ANGLES ±0.30°		PRODUCT SPEC -	RESTRICTED TO -	
MATERIAL NOTE 3		APPLICATION SPEC NOTE 7	SIZE A3	CAGE CODE 00779
FINISH NOTE 4		WEIGHT -	DRAWING NO C-1236089	REV E
CUSTOMER DRAWING			SCALE 2:1	SHEET 6 OF 6

Компания «Life Electronics» занимается поставками электронных компонентов импортного и отечественного производства от производителей и со складов крупных дистрибьюторов Европы, Америки и Азии.

С конца 2013 года компания активно расширяет линейку поставок компонентов по направлению коаксиальный кабель, кварцевые генераторы и конденсаторы (керамические, пленочные, электролитические), за счёт заключения дистрибьюторских договоров

Мы предлагаем:

- Конкурентоспособные цены и скидки постоянным клиентам.
- Специальные условия для постоянных клиентов.
- Подбор аналогов.
- Поставку компонентов в любых объемах, удовлетворяющих вашим потребностям.
- Приемлемые сроки поставки, возможна ускоренная поставка.
- Доставку товара в любую точку России и стран СНГ.
- Комплексную поставку.
- Работу по проектам и поставку образцов.
- Формирование склада под заказчика.
- Сертификаты соответствия на поставляемую продукцию (по желанию клиента).
- Тестирование поставляемой продукции.
- Поставку компонентов, требующих военную и космическую приемку.
- Входной контроль качества.
- Наличие сертификата ISO.

В составе нашей компании организован Конструкторский отдел, призванный помогать разработчикам, и инженерам.

Конструкторский отдел помогает осуществить:

- Регистрацию проекта у производителя компонентов.
- Техническую поддержку проекта.
- Защиту от снятия компонента с производства.
- Оценку стоимости проекта по компонентам.
- Изготовление тестовой платы монтаж и пусконаладочные работы.



Тел: +7 (812) 336 43 04 (многоканальный)

Email: org@lifeelectronics.ru