



**2.5V/3V, 3.0GHz CML
AnyGate® ANY LOGIC
WITH 50Ω or 100Ω OUTPUTS**

**SuperLite™
SY55851
SY55851A**

FEATURES

- **Guaranteed AC parameters over temperature:**
 - $f_{MAX} > 3.0\text{GHz}$ (SY55851A)
 - $t_r / t_f < 100\text{ps}$
 - Propagation delay $< 280\text{ps}$
- **Guaranteed operation over -40°C to $+85^\circ\text{C}$ temperature range**
- **Wide supply voltage range: 2.3V to 3.6V**
- **Single IC provides 8 logic functions**
- **2:1 MUX capability**
- **Fully differential I/O**
- **Source terminated CML outputs for fast edge rates:**
 - SY55851 for 100Ω load
 - SY55851A for 50Ω load
- **Guaranteed matched propagation delays:**
 - Select (S)-to-out: $< 280\text{ps}$
 - Input (A and B)-to-out: $< 280\text{ps}$
- **Accepts PECL, LVPECL, CML input signals**
- **Functions as a PECL/LVPECL-to-CML translator**
- **Available in a 10-pin (3mm x 3mm) MSOP package**



SuperLite™

DESCRIPTION

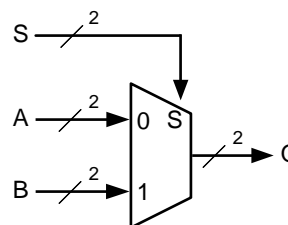
The SY55851 and SY55851A are highly flexible, universal logic gates capable of up to 3.0GHz operation (SY55851A). These AnyGate® differential logic devices will produce all possible logic functions of two Boolean variables. They can be configured as any of the following gates: AND, NAND, OR, NOR, XOR, XNOR, DELAY, NEGATION (NOT). The SY55851 and SY55851A can also function as a 2-input multiplexer.

The SY55851 has an output stage optimized for 100Ω loads, and the SY55851A is optimized for 50Ω loads. The differential inputs for both devices are normally terminated with a single resistor (100Ω) between the true and complement pins.

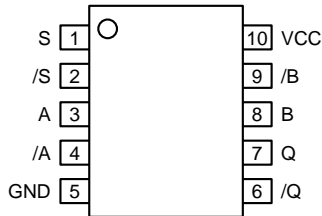
APPLICATIONS

- **Port bypass**
- **Data communication systems**
- **Wireless communication systems**
- **Telecom systems**

FUNCTIONAL BLOCK DIAGRAM



PACKAGE/ORDERING INFORMATION



8-Pin MSOP (K10-1)

Ordering Information⁽¹⁾

| Part Number | Package Type | Operating Range | Package Marking | Lead Finish |
|---------------------------------|--------------|-----------------|--------------------------------------|----------------|
| SY55851UKI | K10-1 | Industrial | 851U | Sn-Pb |
| SY55851UKITR ⁽²⁾ | K10-1 | Industrial | 851U | Sn-Pb |
| SY55851AUKI | K10-1 | Industrial | 851A | Sn-Pb |
| SY55851AUKITR ⁽²⁾ | K10-1 | Industrial | 851A | Sn-Pb |
| SY55851UKG ⁽³⁾ | K10-1 | Industrial | 851U with Pb-Free bar-line indicator | Pb-Free NiPdAu |
| SY55851UKGTR ^(2, 3) | K10-1 | Industrial | 851U with Pb-Free bar-line indicator | Pb-Free NiPdAu |
| SY55851AUKG ⁽³⁾ | K10-1 | Industrial | 851A with Pb-Free bar-line indicator | Pb-Free NiPdAu |
| SY55851AUKGTR ^(2, 3) | K10-1 | Industrial | 851A with Pb-Free bar-line indicator | Pb-Free NiPdAu |

Notes:

1. Contact factory for die availability. Dice are guaranteed at T_A = 25°C, DC Electricals only.
2. Tape and Reel.
3. Pb-Free package recommended for new designs.

PIN DESCRIPTION

| Pin Number | Pin Name | Pin Function |
|------------|----------|--|
| 1, 2 | S, /S | CML, PECL, LVPECL Input Selector: This differential CML input is one of the inputs to the logic block. It represents either one Boolean input for a 2-variable logic function, or the select input for a 2-input MUX. |
| 3, 4 | A, /A | CML, PECL, LVPECL Input: This is one of the differential inputs to the logic block. For a 2-variable logic function, it is either a constant value or a Boolean input. For a 2-input MUX, this signal represents the output when S is set to logic zero. |
| 5 | GND | Ground. |
| 6, 7 | /Q, Q | Differential CML Output: This is the differential CML output for the logic block. For termination guidelines, see Figure 3. |
| 8, 9 | B, /B | CML, PECL, LVPECL Input: This is one of the differential inputs to the logic block. For a 2-variable logic function, it is either a constant value or a Boolean input. For a 2-input MUX, this signal represents the output when S is set to logic one. |
| 10 | VCC | V _{CC} . |

FUNCTIONAL DESCRIPTION

Establishing Static Logic Inputs

The true pin of an input pair is internally biased to ground through a 75kΩ resistor. The complement pin of an input pair is internally biased to $V_{CC}/2$ through an internal voltage divider consisting of two 75kΩ resistors. Since some logic functions necessitate an output to be connected to two inputs, SY55851/A inputs have no internal terminations. Typically, one resistor between the true and complement input is all that is required, as per **Figure 3**. To keep an

input at static logic zero at $V_{CC} \geq 3.0V$, leave both inputs unconnected or tie the complement input to V_{CC} . For $V_{CC} < 3.0V$ applications, connect the complement input to V_{CC} and leave the true input unconnected. To make an input static logic one, connect the true input to V_{CC} , and leave the complement input unconnected. These are the only safe ways to cause inputs to be at a static value. In particular, no input pin should be directly connected to ground. All NC (no connect) pins should be unconnected.

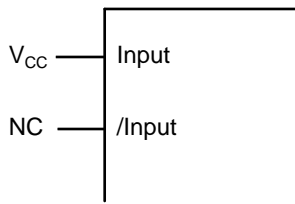


Figure 1. Hard Wiring A Logic “1” (1)

Note 1. Input is either A, B, S input, and /Input is either /A, /B, /S input.

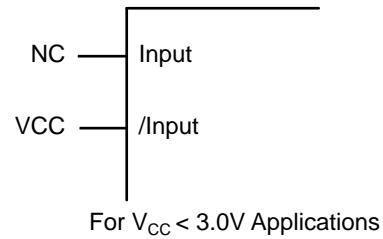
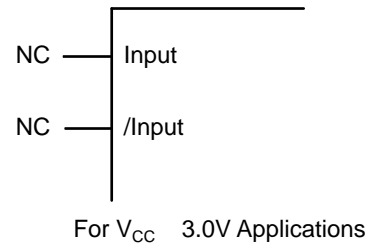
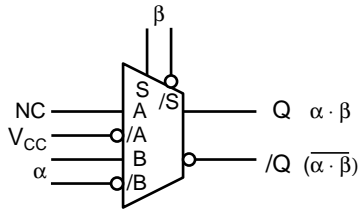


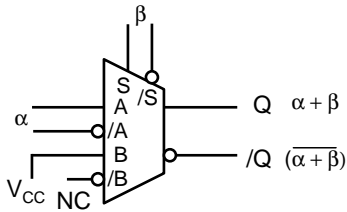
Figure 2. Hard Wiring A Logic “0” (1)

TRUTH TABLES



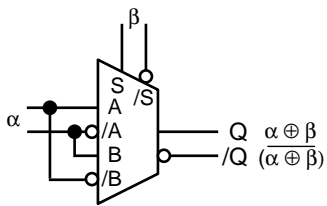
AND/NAND

| A | α B | β S | $\alpha \cdot \beta$ Q | $(\alpha \cdot \beta)$ /Q |
|---|---------------|--------------|---------------------------|------------------------------|
| L | L | L | L | H |
| L | H | L | L | H |
| L | L | H | L | H |
| L | H | H | H | L |



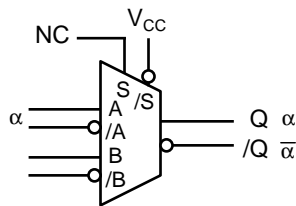
OR/NOR

| α A | B | β S | $\alpha + \beta$ Q | $(\alpha + \beta)$ /Q |
|---------------|---|--------------|-----------------------|--------------------------|
| L | H | L | L | H |
| H | H | L | H | L |
| L | H | H | H | L |
| H | H | H | H | L |



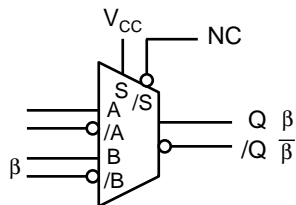
XOR/XNOR

| α A | B | β S | $\alpha \oplus \beta$ Q | $(\alpha \oplus \beta)$ /Q |
|---------------|---|--------------|----------------------------|-------------------------------|
| L | H | L | L | H |
| L | H | H | H | L |
| H | L | L | H | L |
| H | L | H | L | H |

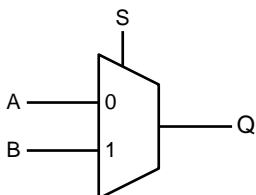


DELAY/NEGATION

| α A | B | S | α Q | $\bar{\alpha}$ /Q |
|---------------|---|---|---------------|----------------------|
| L | X | L | L | H |
| H | X | L | H | L |



| A | β B | S | β Q | $\bar{\beta}$ /Q |
|---|--------------|---|--------------|---------------------|
| X | L | H | L | H |
| X | H | H | H | L |



2:1 MUX

| S | Q | /Q |
|---|---|----|
| H | B | /B |
| L | A | /A |

CML TERMINATION AND TTL INTERFACE

All inputs accept the output from any other member of this family. All outputs are source terminated 100Ω or 50Ω CML differential drivers as shown in Figure 3. All inputs to the SY55851/A must be externally terminated. SY55851/A

inputs are designed to accept a termination resistor between the true and complement inputs of a differential pair. 0402 form factor chip resistors will fit with some trace fanout.

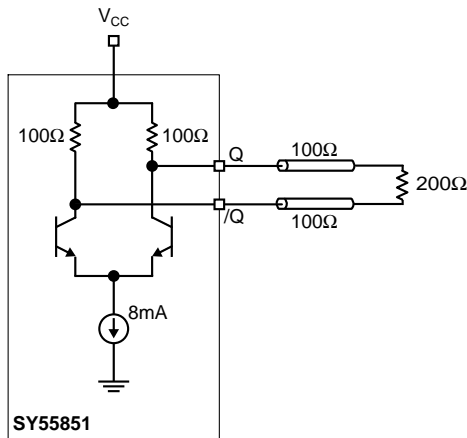


Figure 3a. SY55851 (100Ω Load CML Output)

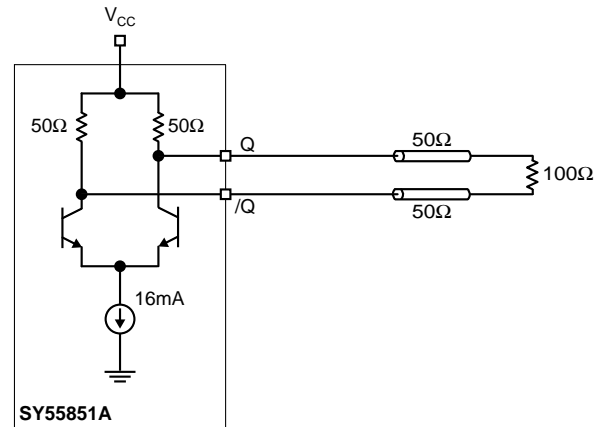


Figure 3b. Differentially Terminated SY55851A (50Ω Load CML Output)

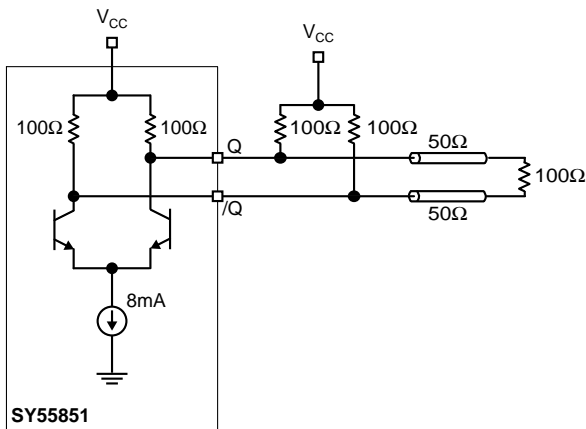


Figure 3c. Differentially Terminated SY55851 (50Ω Load CML Output)

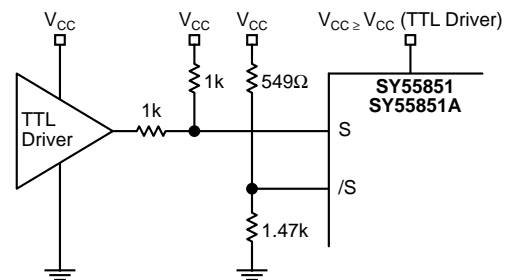


Figure 4. Interfacing TTL-to-CML Select Inputs

ABSOLUTE MAXIMUM RATINGS⁽¹⁾

| Symbol | Rating | Value | Unit | |
|--------------------|---|--|------|------|
| V _{CC} | Power Supply Voltage | -0.5 to +6.0 | V | |
| V _{IN} | Input Voltage | -0.5 to V _{CC} +0.5 | V | |
| V _{OUT} | CML Output Voltage | V _{CC} -1.0 to V _{CC} +0.5 | V | |
| T _A | Operating Temperature Range | -40 to +85 | °C | |
| T _{LEAD} | Lead Temperature (soldering, 20sec.) | 260 | °C | |
| T _{store} | Storage Temperature Range | -65 to +150 | °C | |
| θ _{JA} | Package Thermal Resistance (Junction-to-Ambient) | -Still-Air (multi-layer PCB) | 113 | °C/W |
| | | -500lfpm (multi-layer PCB) | 96 | °C/W |
| θ _{JC} | Package Thermal Resistance (Junction-to-Case) | 42 | °C/W | |

Note 1. Permanent device damage may occur if absolute maximum ratings are exceeded. This is a stress rating only and functional operation is not implied at conditions other than those detailed in the operational sections of this data sheet. Exposure to absolute maximum rating conditions for extended periods may affect device reliability.

DC ELECTRICAL CHARACTERISTICS

T_A = -40°C to +85°C⁽²⁾

| Symbol | Parameter | Min. | Typ. | Max. | Unit | Condition |
|-----------------|----------------------|------|------|------|------|-----------|
| V _{CC} | Power Supply Voltage | 2.3 | — | 3.6 | V | |
| I _{CC} | Power Supply Current | | | | | |
| | SY55851 | — | — | 40 | mA | No Load |
| | SY55851A | — | 46 | 60 | mA | No Load |

CML DC ELECTRICAL CHARACTERISTICS

V_{CC} = 2.3V to 3.6V; GND = 0V; T_A = -40°C to +85°C

| Symbol | Parameter | Min. | Typ. | Max. | Unit | Condition |
|------------------|-------------------------------------|-------------------------|-------------------------|------------------------|------|------------------------------------|
| V _{ID} | Differential Input Voltage | 100 | — | — | mV | |
| V _{IH} | Input HIGH Voltage | 1.6 | — | V _{CC} | V | |
| V _{IL} | Input LOW Voltage | 1.5 | — | V _{CC} - 0.1 | V | |
| V _{OH} | Output HIGH Voltage | V _{CC} - 0.040 | V _{CC} - 0.010 | V _{CC} | V | No Load |
| V _{OL} | Output LOW Voltage | V _{CC} - 1.00 | V _{CC} - 0.800 | V _{CC} - 0.65 | V | No Load |
| V _{OUT} | Output Voltage Swing ⁽³⁾ | 0.650 | 0.800 | 1.00 | V | No Load |
| | SY55851 | — | 0.400 | — | V | 100Ω Load ⁽⁴⁾ |
| | | — | 0.200 | — | V | 50Ω Load ⁽⁵⁾ (SY55851) |
| | SY55851A | — | 0.400 | — | V | 50Ω Load ⁽⁶⁾ (SY55851A) |
| R _{OUT} | Output Source Impedance | | | | | |
| | SY55851 | 80 | 100 | 120 | Ω | |
| | SY55851A | 40 | 50 | 60 | Ω | |

Note 2. The DC parameters are guaranteed after thermal equilibrium has been established.

Note 3. Actual voltage levels and differential swing will depend on customer termination scheme. Refer to the "CML Termination" diagram for more details.

Note 4. Applies to SY55851: 200Ω termination resistor across Q and /Q. See **Figure 3a**.

Note 5. Applies to the SY55851. See **Figure 3c**.

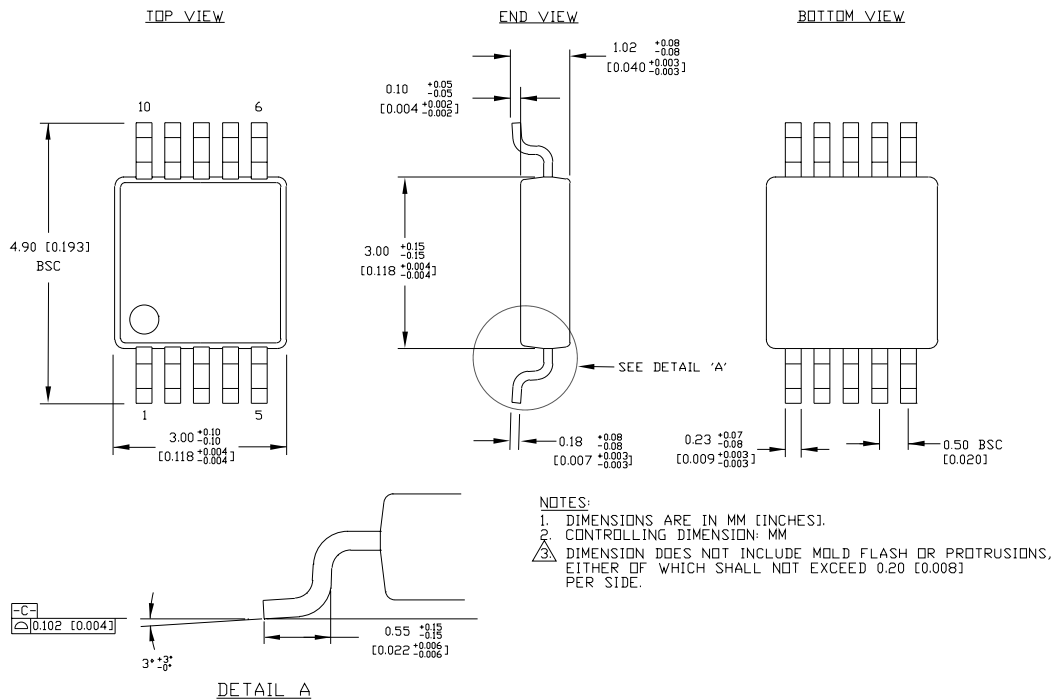
Note 6. Applies to the SY55851A: 100Ω termination resistor across Q and /Q. See **Figure 3b**.

AC ELECTRICAL CHARACTERISTICS(1, 2) $V_{CC} = 2.3V$ to $3.6V$; $GND = 0V$; $T_A = -40^{\circ}C$ to $+85^{\circ}C$

| Symbol | Parameter | Min. | Typ. | Max. | Unit | Condition |
|---------------------------|--|----------|------|------|------|-----------|
| $f_{MAX}^{(3)}$ | Max. Operating Frequency | | | | | |
| | SY55851 | 2.5 | — | — | GHz | |
| | SY55851A | 3.0 | — | — | GHz | |
| $t_{PD(S-Q)}$ | Propagation Delay (S to Q) | | | | | |
| | SY55851 | — | — | 350 | ps | |
| | SY55851A | 130 | — | 280 | ps | |
| t_{PD} (A-Q and B-Q) | Propagation Delay (A-Q and B-Q) | | | | | |
| | SY55851 | — | — | 350 | ps | |
| | SY55851A | 130 | — | 280 | ps | |
| t_r t_f | CML Output Rise/Fall Times (20% to 80%) | SY55851 | — | — | 110 | ps |
| | | SY55851A | — | 65 | 100 | ps |

Note 1. SY55851: outputs terminated to 50Ω equivalent load. See **Figure 3c**.SY55851A: outputs terminated to 50Ω load. See **Figure 3b****Note 2.** Specification for packaged product only.**Note 3.** f_{MAX} represents a maximum toggle rate in which the output still meets CML logic swing.

10-PIN MSOP (K10-1)



Rev. 00

MICREL, INC. 2180 FORTUNE DRIVE SAN JOSE, CA 95131 USA

TEL + 1 (408) 944-0800 FAX + 1 (408) 474-1000 WEB <http://www.micrel.com>

The information furnished by Micrel in this datasheet is believed to be accurate and reliable. However, no responsibility is assumed by Micrel for its use. Micrel reserves the right to change circuitry and specifications at any time without notification to the customer.

Micrel Products are not designed or authorized for use as components in life support appliances, devices or systems where malfunction of a product can reasonably be expected to result in personal injury. Life support devices or systems are devices or systems that (a) are intended for surgical implant into the body or (b) support or sustain life, and whose failure to perform can be reasonably expected to result in a significant injury to the user. A Purchaser's use or sale of Micrel Products for use in life support appliances, devices or systems is at Purchaser's own risk and Purchaser agrees to fully indemnify Micrel for any damages resulting from such use or sale.

© 2005 Micrel, Incorporated.

Компания «Life Electronics» занимается поставками электронных компонентов импортного и отечественного производства от производителей и со складов крупных дистрибьюторов Европы, Америки и Азии.

С конца 2013 года компания активно расширяет линейку поставок компонентов по направлению коаксиальный кабель, кварцевые генераторы и конденсаторы (керамические, пленочные, электролитические), за счёт заключения дистрибьюторских договоров

Мы предлагаем:

- Конкурентоспособные цены и скидки постоянным клиентам.
- Специальные условия для постоянных клиентов.
- Подбор аналогов.
- Поставку компонентов в любых объемах, удовлетворяющих вашим потребностям.
- Приемлемые сроки поставки, возможна ускоренная поставка.
- Доставку товара в любую точку России и стран СНГ.
- Комплексную поставку.
- Работу по проектам и поставку образцов.
- Формирование склада под заказчика.
- Сертификаты соответствия на поставляемую продукцию (по желанию клиента).
- Тестирование поставляемой продукции.
- Поставку компонентов, требующих военную и космическую приемку.
- Входной контроль качества.
- Наличие сертификата ISO.

В составе нашей компании организован Конструкторский отдел, призванный помогать разработчикам, и инженерам.

Конструкторский отдел помогает осуществить:

- Регистрацию проекта у производителя компонентов.
- Техническую поддержку проекта.
- Защиту от снятия компонента с производства.
- Оценку стоимости проекта по компонентам.
- Изготовление тестовой платы монтаж и пусконаладочные работы.



Тел: +7 (812) 336 43 04 (многоканальный)

Email: org@lifeelectronics.ru