

# 74AHC595-Q100; 74AHCT595-Q100

8-bit serial-in/serial-out or parallel-out shift register with output latches

Rev. 2 — 26 May 2020

Product data sheet

## 1. General description

---

The 74AHC595-Q100; 74AHCT595-Q100 is an 8-bit serial-in/serial or parallel-out shift register with a storage register and 3-state outputs. Both the shift and storage register have separate clocks. The device features a serial input (DS) and a serial output (Q7S) to enable cascading and an asynchronous reset MR input. A LOW on MR will reset the shift register. Data is shifted on the LOW-to-HIGH transitions of the SHCP input. The data in the shift register is transferred to the storage register on a LOW-to-HIGH transition of the STCP input. If both clocks are connected together, the shift register will always be one clock pulse ahead of the storage register. Data in the storage register appears at the output whenever the output enable input ( $\overline{OE}$ ) is LOW. A HIGH on  $\overline{OE}$  causes the outputs to assume a high-impedance OFF-state. Operation of the  $\overline{OE}$  input does not affect the state of the registers. The 74AHCT595-Q100 features TTL compatible inputs. Both 74AHC595-Q100 and 74AHCT595-Q100 inputs are overvoltage tolerant. This feature allows the use of these devices as translators in mixed voltage environments.

This product has been qualified to the Automotive Electronics Council (AEC) standard Q100 (Grade 1) and is suitable for use in automotive applications.

## 2. Features and benefits

---

- Automotive product qualification in accordance with AEC-Q100 (Grade 1)
  - Specified from -40 °C to +85 °C and from -40 °C to +125 °C
- Wide supply voltage range from 2.0 V to 5.5 V
- Balanced propagation delays
- All inputs have Schmitt trigger action
- Overvoltage tolerant inputs to 5.5 V
- High noise immunity
- CMOS low power dissipation
- Input levels:
  - The 74AHC595-Q100 operates with CMOS input levels
  - The 74AHCT595-Q100 operates with TTL input levels
- ESD protection:
  - MIL-STD-883, method 3015 exceeds 2000 V
  - HBM JESD22-A114F exceeds 2000 V
  - MM JESD22-A115-A exceeds 200 V (C = 200 pf, R = 0  $\Omega$ )
- Multiple package options
- DHVQFN package with Side-Wettable Flanks enabling Automatic Optical Inspection (AOI) of solder joints

## 3. Applications

---

- Serial-to-parallel data conversion
- Remote control holding register

### 4. Ordering information

Table 1. Ordering information

| Type number      | Package           |          |                                                                                                                                | Version  |
|------------------|-------------------|----------|--------------------------------------------------------------------------------------------------------------------------------|----------|
|                  | Temperature range | Name     | Description                                                                                                                    |          |
| 74AHC595D-Q100   | -40 °C to +125 °C | SO16     | plastic small outline package; 16 leads; body width 3.9 mm                                                                     | SOT109-1 |
| 74AHCT595D-Q100  |                   |          |                                                                                                                                |          |
| 74AHC595PW-Q100  | -40 °C to +125 °C | TSSOP16  | plastic thin shrink small outline package; 16 leads; body width 4.4 mm                                                         | SOT403-1 |
| 74AHCT595PW-Q100 |                   |          |                                                                                                                                |          |
| 74AHC595BQ-Q100  | -40 °C to +125 °C | DHVQFN16 | plastic dual in-line compatible thermal enhanced very thin quad flat package; no leads; 16 terminals; body 2.5 × 3.5 × 0.85 mm | SOT763-1 |
| 74AHCT595BQ-Q100 |                   |          |                                                                                                                                |          |

### 5. Functional diagram

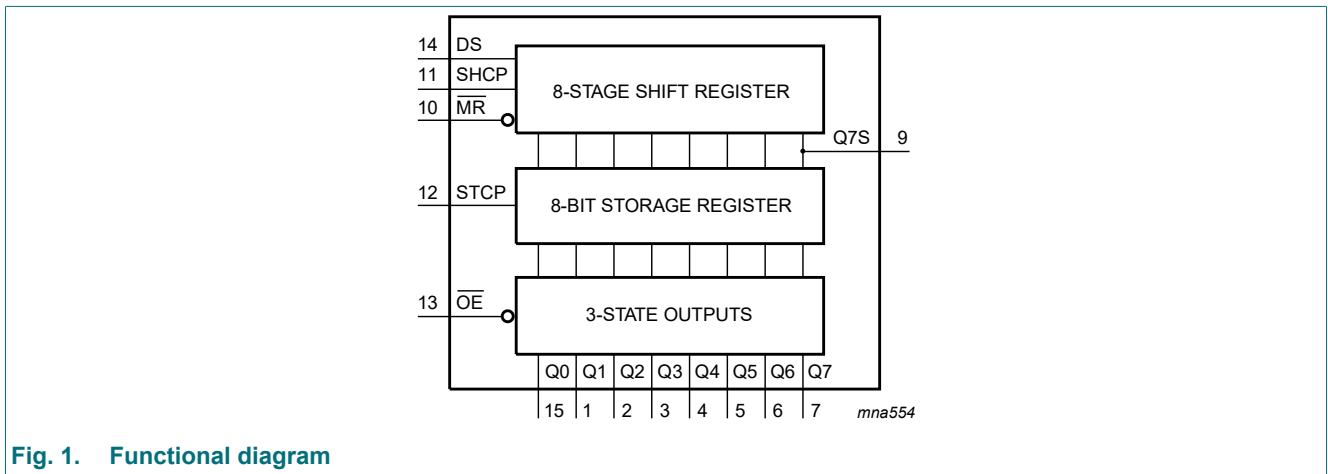


Fig. 1. Functional diagram

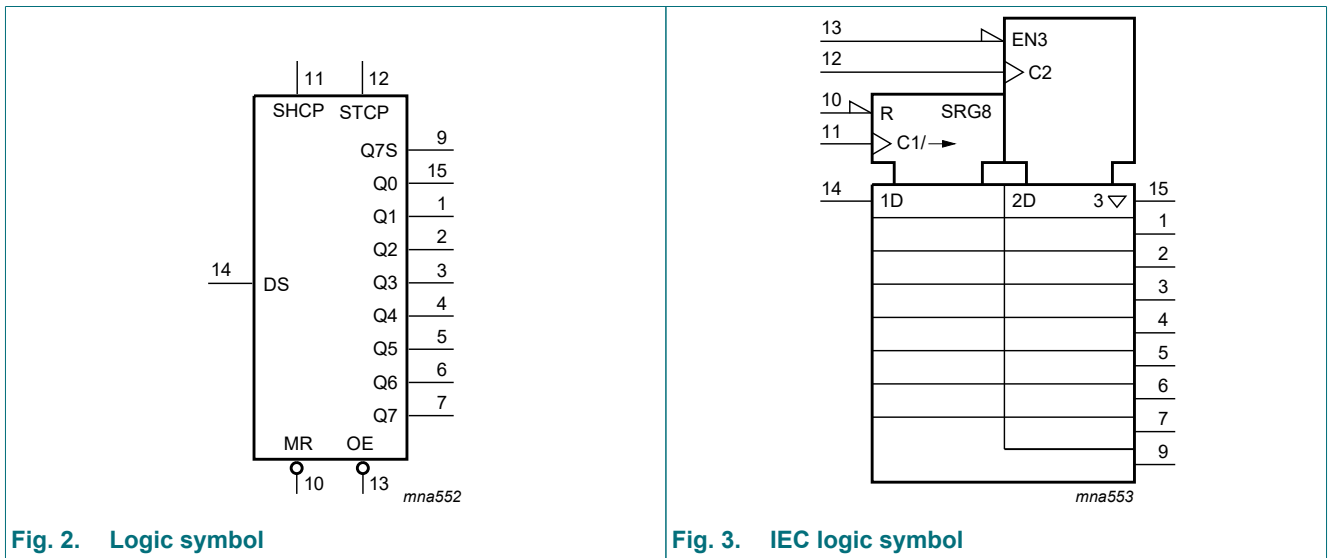


Fig. 2. Logic symbol

Fig. 3. IEC logic symbol



Fig. 4. Logic diagram

## 6. Pinning information

### 6.1. Pinning

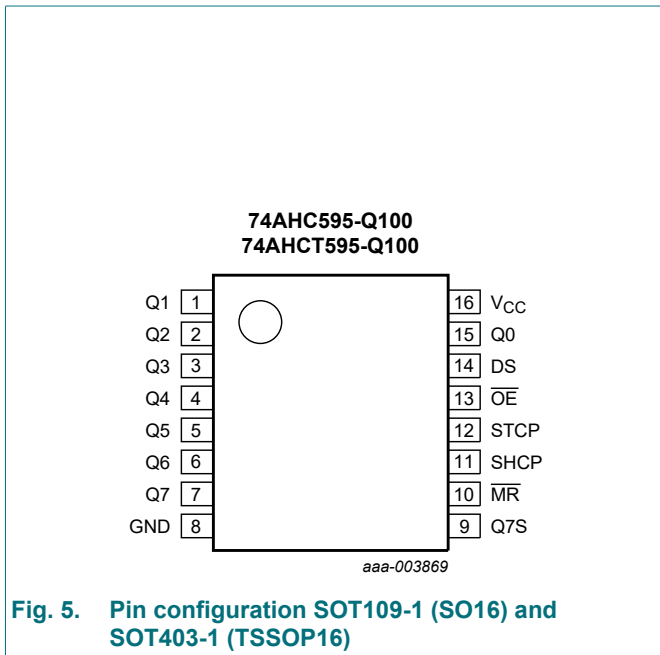


Fig. 5. Pin configuration SOT109-1 (SO16) and SOT403-1 (TSSOP16)



Fig. 6. Pin configuration SOT763-1 (DHVQFN16)

## 6.2. Pin description

Table 2. Pin description

| Symbol                         | Pin                     | Description                      |
|--------------------------------|-------------------------|----------------------------------|
| Q0, Q1, Q2, Q3, Q4, Q5, Q6, Q7 | 15, 1, 2, 3, 4, 5, 6, 7 | parallel data output             |
| GND                            | 8                       | ground (0 V)                     |
| Q7S                            | 9                       | serial data output               |
| $\overline{\text{MR}}$         | 10                      | master reset (active LOW)        |
| SHCP                           | 11                      | shift register clock input       |
| STCP                           | 12                      | storage register clock input     |
| $\overline{\text{OE}}$         | 13                      | output enable input (active LOW) |
| DS                             | 14                      | serial data input                |
| V <sub>CC</sub>                | 16                      | supply voltage                   |

## 7. Functional description

Table 3. Function table

H = HIGH voltage state;

L = LOW voltage state;

↑ = LOW-to-HIGH transition;

X = don't care;

NC = no change;

Z = high-impedance OFF-state.

| Control |      |                        |                        | Input | Output |     | Function                                                                                                                                                                                       |
|---------|------|------------------------|------------------------|-------|--------|-----|------------------------------------------------------------------------------------------------------------------------------------------------------------------------------------------------|
| SHCP    | STCP | $\overline{\text{OE}}$ | $\overline{\text{MR}}$ | DS    | Q7S    | Qn  |                                                                                                                                                                                                |
| X       | X    | L                      | L                      | X     | L      | NC  | a LOW-level on $\overline{\text{MR}}$ only affects the shift registers                                                                                                                         |
| X       | ↑    | L                      | L                      | X     | L      | L   | empty shift register loaded into storage register                                                                                                                                              |
| X       | X    | H                      | L                      | X     | L      | Z   | shift register clear; parallel outputs in high-impedance OFF-state                                                                                                                             |
| ↑       | X    | L                      | H                      | H     | Q6S    | NC  | logic HIGH-level shifted into shift register stage 0. Contents of all shift register stages shifted through, e.g. previous state of stage 6 (internal Q6S) appears on the serial output (Q7S). |
| X       | ↑    | L                      | H                      | X     | NC     | QnS | contents of shift register stages (internal QnS) are transferred to the storage register and parallel output stages                                                                            |
| ↑       | ↑    | L                      | H                      | X     | Q6S    | QnS | contents of shift register shifted through; previous contents of the shift register is transferred to the storage register and the parallel output stages                                      |



Fig. 7. Timing diagram

## 8. Limiting values

Table 4. Limiting values

In accordance with the Absolute Maximum Rating System (IEC 60134). Voltages are referenced to GND (ground = 0 V).

| Symbol    | Parameter               | Conditions                                   | Min  | Max  | Unit |
|-----------|-------------------------|----------------------------------------------|------|------|------|
| $V_{CC}$  | supply voltage          |                                              | -0.5 | +7.0 | V    |
| $V_I$     | input voltage           |                                              | -0.5 | +7.0 | V    |
| $I_{IK}$  | input clamping current  | $V_I < -0.5$ V [1]                           | -20  | -    | mA   |
| $I_{OK}$  | output clamping current | $V_O < -0.5$ V or $V_O > V_{CC} + 0.5$ V [1] | -20  | +20  | mA   |
| $I_O$     | output current          | $V_O = -0.5$ V to $(V_{CC} + 0.5)$ V         | -25  | +25  | mA   |
| $I_{CC}$  | supply current          |                                              | -    | +75  | mA   |
| $I_{GND}$ | ground current          |                                              | -75  | -    | mA   |
| $T_{stg}$ | storage temperature     |                                              | -65  | +150 | °C   |
| $P_{tot}$ | total power dissipation | $T_{amb} = -40$ °C to +125 °C [2]            | -    | 500  | mW   |

[1] The input and output voltage ratings may be exceeded if the input and output current ratings are observed.

[2] For SOT109-1 (SO16) package:  $P_{tot}$  derates linearly with 12.4 mW/K above 110 °C.  
 For SOT403-1 (TSSOP16) package:  $P_{tot}$  derates linearly with 8.5 mW/K above 91 °C.  
 For SOT763-1 (DHVQFN16) package:  $P_{tot}$  derates linearly with 11.2 mW/K above 106 °C.

## 9. Recommended operating conditions

Table 5. Operating conditions

| Symbol           | Parameter                           | Conditions                       | 74AHC595-Q100 |     |                 | 74AHCT595-Q100 |     |                 | Unit |
|------------------|-------------------------------------|----------------------------------|---------------|-----|-----------------|----------------|-----|-----------------|------|
|                  |                                     |                                  | Min           | Typ | Max             | Min            | Typ | Max             |      |
| V <sub>CC</sub>  | supply voltage                      |                                  | 2.0           | 5.0 | 5.5             | 4.5            | 5.0 | 5.5             | V    |
| V <sub>I</sub>   | input voltage                       |                                  | 0             | -   | 5.5             | 0              | -   | 5.5             | V    |
| V <sub>O</sub>   | output voltage                      |                                  | 0             | -   | V <sub>CC</sub> | 0              | -   | V <sub>CC</sub> | V    |
| T <sub>amb</sub> | ambient temperature                 |                                  | -40           | +25 | +125            | -40            | +25 | +125            | °C   |
| Δt/ΔV            | input transition rise and fall rate | V <sub>CC</sub> = 3.0 V to 3.6 V | -             | -   | 100             | -              | -   | -               | ns/V |
|                  |                                     | V <sub>CC</sub> = 4.5 V to 5.5 V | -             | -   | 20              | -              | -   | 20              | ns/V |

## 10. Static characteristics

Table 6. Static characteristics

At recommended operating conditions; voltages are referenced to GND (ground = 0 V).

| Symbol               | Parameter                 | Conditions                                                                                                                | 25 °C |     |       | -40 °C to +85 °C |      | -40 °C to +125 °C |      | Unit |
|----------------------|---------------------------|---------------------------------------------------------------------------------------------------------------------------|-------|-----|-------|------------------|------|-------------------|------|------|
|                      |                           |                                                                                                                           | Min   | Typ | Max   | Min              | Max  | Min               | Max  |      |
| <b>74AHC595-Q100</b> |                           |                                                                                                                           |       |     |       |                  |      |                   |      |      |
| V <sub>IH</sub>      | HIGH-level input voltage  | V <sub>CC</sub> = 2.0 V                                                                                                   | 1.5   | -   | -     | 1.5              | -    | 1.5               | -    | V    |
|                      |                           | V <sub>CC</sub> = 3.0 V                                                                                                   | 2.1   | -   | -     | 2.1              | -    | 2.1               | -    | V    |
|                      |                           | V <sub>CC</sub> = 5.5 V                                                                                                   | 3.85  | -   | -     | 3.85             | -    | 3.85              | -    | V    |
| V <sub>IL</sub>      | LOW-level input voltage   | V <sub>CC</sub> = 2.0 V                                                                                                   | -     | -   | 0.5   | -                | 0.5  | -                 | 0.5  | V    |
|                      |                           | V <sub>CC</sub> = 3.0 V                                                                                                   | -     | -   | 0.9   | -                | 0.9  | -                 | 0.9  | V    |
|                      |                           | V <sub>CC</sub> = 5.5 V                                                                                                   | -     | -   | 1.65  | -                | 1.65 | -                 | 1.65 | V    |
| V <sub>OH</sub>      | HIGH-level output voltage | V <sub>I</sub> = V <sub>IH</sub> or V <sub>IL</sub>                                                                       |       |     |       |                  |      |                   |      |      |
|                      |                           | I <sub>O</sub> = -50 μA; V <sub>CC</sub> = 2.0 V                                                                          | 1.9   | 2.0 | -     | 1.9              | -    | 1.9               | -    | V    |
|                      |                           | I <sub>O</sub> = -50 μA; V <sub>CC</sub> = 3.0 V                                                                          | 2.9   | 3.0 | -     | 2.9              | -    | 2.9               | -    | V    |
|                      |                           | I <sub>O</sub> = -50 μA; V <sub>CC</sub> = 4.5 V                                                                          | 4.4   | 4.5 | -     | 4.4              | -    | 4.4               | -    | V    |
|                      |                           | I <sub>O</sub> = -4.0 mA; V <sub>CC</sub> = 3.0 V                                                                         | 2.58  | -   | -     | 2.48             | -    | 2.40              | -    | V    |
| V <sub>OL</sub>      | LOW-level output voltage  | V <sub>I</sub> = V <sub>IH</sub> or V <sub>IL</sub>                                                                       |       |     |       |                  |      |                   |      |      |
|                      |                           | I <sub>O</sub> = 50 μA; V <sub>CC</sub> = 2.0 V                                                                           | -     | 0   | 0.1   | -                | 0.1  | -                 | 0.1  | V    |
|                      |                           | I <sub>O</sub> = 50 μA; V <sub>CC</sub> = 3.0 V                                                                           | -     | 0   | 0.1   | -                | 0.1  | -                 | 0.1  | V    |
|                      |                           | I <sub>O</sub> = 50 μA; V <sub>CC</sub> = 4.5 V                                                                           | -     | 0   | 0.1   | -                | 0.1  | -                 | 0.1  | V    |
|                      |                           | I <sub>O</sub> = 4.0 mA; V <sub>CC</sub> = 3.0 V                                                                          | -     | -   | 0.36  | -                | 0.44 | -                 | 0.55 | V    |
| I <sub>I</sub>       | input leakage current     | V <sub>I</sub> = 5.5 V or GND;<br>V <sub>CC</sub> = 0 V to 5.5 V                                                          | -     | -   | 0.1   | -                | 1.0  | -                 | 2.0  | μA   |
|                      |                           | V <sub>I</sub> = V <sub>IH</sub> or V <sub>IL</sub> ;<br>V <sub>O</sub> = V <sub>CC</sub> or GND; V <sub>CC</sub> = 5.5 V | -     | -   | ±0.25 | -                | ±2.5 | -                 | ±10  | μA   |
| I <sub>CC</sub>      | supply current            | V <sub>I</sub> = V <sub>CC</sub> or GND; I <sub>O</sub> = 0 A;<br>V <sub>CC</sub> = 5.5 V                                 | -     | -   | 4.0   | -                | 40   | -                 | 80   | μA   |
| C <sub>I</sub>       | input capacitance         |                                                                                                                           | -     | 3   | 10    | -                | 10   | -                 | 10   | pF   |

8-bit serial-in/serial-out or parallel-out shift register with output latches

| Symbol                | Parameter                 | Conditions                                                                                                                                              | 25 °C |     |       | -40 °C to +85 °C |      | -40 °C to +125 °C |      | Unit |
|-----------------------|---------------------------|---------------------------------------------------------------------------------------------------------------------------------------------------------|-------|-----|-------|------------------|------|-------------------|------|------|
|                       |                           |                                                                                                                                                         | Min   | Typ | Max   | Min              | Max  | Min               | Max  |      |
| <b>74AHCT595-Q100</b> |                           |                                                                                                                                                         |       |     |       |                  |      |                   |      |      |
| V <sub>IH</sub>       | HIGH-level input voltage  | V <sub>CC</sub> = 4.5 V to 5.5 V                                                                                                                        | 2.0   | -   | -     | 2.0              | -    | 2.0               | -    | V    |
| V <sub>IL</sub>       | LOW-level input voltage   | V <sub>CC</sub> = 4.5 V to 5.5 V                                                                                                                        | -     | -   | 0.8   | -                | 0.8  | -                 | 0.8  | V    |
| V <sub>OH</sub>       | HIGH-level output voltage | V <sub>I</sub> = V <sub>IH</sub> or V <sub>IL</sub> ; V <sub>CC</sub> = 4.5 V                                                                           |       |     |       |                  |      |                   |      |      |
|                       |                           | I <sub>O</sub> = -50 µA                                                                                                                                 | 4.4   | 4.5 | -     | 4.4              | -    | 4.4               | -    | V    |
|                       |                           | I <sub>O</sub> = -8.0 mA                                                                                                                                | 3.94  | -   | -     | 3.80             | -    | 3.70              | -    | V    |
| V <sub>OL</sub>       | LOW-level output voltage  | V <sub>I</sub> = V <sub>IH</sub> or V <sub>IL</sub> ; V <sub>CC</sub> = 4.5 V                                                                           |       |     |       |                  |      |                   |      |      |
|                       |                           | I <sub>O</sub> = 50 µA                                                                                                                                  | -     | 0   | 0.1   | -                | 0.1  | -                 | 0.1  | V    |
|                       |                           | I <sub>O</sub> = 8.0 mA                                                                                                                                 | -     | -   | 0.36  | -                | 0.44 | -                 | 0.55 | V    |
| I <sub>I</sub>        | input leakage current     | V <sub>I</sub> = 5.5 V or GND; V <sub>CC</sub> = 0 V to 5.5 V                                                                                           | -     | -   | 0.1   | -                | 1.0  | -                 | 2.0  | µA   |
| I <sub>OZ</sub>       | OFF-state output current  | V <sub>I</sub> = V <sub>IH</sub> or V <sub>IL</sub> ; V <sub>O</sub> = V <sub>CC</sub> or GND; V <sub>CC</sub> = 5.5 V                                  | -     | -   | ±0.25 | -                | ±2.5 | -                 | ±10  | µA   |
| I <sub>CC</sub>       | supply current            | V <sub>I</sub> = V <sub>CC</sub> or GND; I <sub>O</sub> = 0 A; V <sub>CC</sub> = 5.5 V                                                                  | -     | -   | 4.0   | -                | 40   | -                 | 80   | µA   |
| ΔI <sub>CC</sub>      | additional supply current | per input pin; V <sub>I</sub> = V <sub>CC</sub> - 2.1 V; other inputs at V <sub>CC</sub> or GND; I <sub>O</sub> = 0 A; V <sub>CC</sub> = 4.5 V to 5.5 V | -     | -   | 1.35  | -                | 1.5  | -                 | 1.5  | mA   |
| C <sub>I</sub>        | input capacitance         |                                                                                                                                                         | -     | 3   | 10    | -                | 10   | -                 | 10   | pF   |

## 11. Dynamic characteristics

**Table 7. Dynamic characteristics**

Voltages are referenced to GND (ground = 0 V); for test circuit see Fig. 13.

| Symbol                                                   | Parameter         | Conditions                                               | 25 °C |         |      | -40 °C to +85 °C |      | -40 °C to +125 °C |      | Unit |
|----------------------------------------------------------|-------------------|----------------------------------------------------------|-------|---------|------|------------------|------|-------------------|------|------|
|                                                          |                   |                                                          | Min   | Typ [1] | Max  | Min              | Max  | Min               | Max  |      |
| <b>74AHC595-Q100</b>                                     |                   |                                                          |       |         |      |                  |      |                   |      |      |
| t <sub>pd</sub>                                          | propagation delay | SHCP to Q7S; see Fig. 8 [2]                              |       |         |      |                  |      |                   |      |      |
|                                                          |                   | V <sub>CC</sub> = 3.0 V to 3.6 V; C <sub>L</sub> = 15 pF | -     | 5.7     | 13.0 | 1.0              | 15.0 | 1.0               | 16.5 | ns   |
|                                                          |                   | V <sub>CC</sub> = 3.0 V to 3.6 V; C <sub>L</sub> = 50 pF | -     | 7.7     | 16.5 | 1.0              | 18.5 | 1.0               | 20.1 | ns   |
|                                                          |                   | V <sub>CC</sub> = 4.5 V to 5.5 V; C <sub>L</sub> = 15 pF | -     | 4.0     | 8.2  | 1.0              | 9.4  | 1.0               | 10.5 | ns   |
|                                                          |                   | V <sub>CC</sub> = 4.5 V to 5.5 V; C <sub>L</sub> = 50 pF | -     | 5.4     | 10.0 | 1.0              | 11.4 | 1.0               | 12.5 | ns   |
|                                                          |                   | STCP to Qn; see Fig. 9 [2]                               |       |         |      |                  |      |                   |      |      |
|                                                          |                   | V <sub>CC</sub> = 3.0 V to 3.6 V; C <sub>L</sub> = 15 pF | -     | 5.9     | 11.9 | 1.0              | 13.5 | 1.0               | 15.0 | ns   |
|                                                          |                   | V <sub>CC</sub> = 3.0 V to 3.6 V; C <sub>L</sub> = 50 pF | -     | 7.7     | 15.4 | 1.0              | 17.0 | 1.0               | 18.5 | ns   |
|                                                          |                   | V <sub>CC</sub> = 4.5 V to 5.5 V; C <sub>L</sub> = 15 pF | -     | 4.2     | 7.4  | 1.0              | 8.5  | 1.0               | 9.5  | ns   |
| V <sub>CC</sub> = 4.5 V to 5.5 V; C <sub>L</sub> = 50 pF | -                 | 5.5                                                      | 9.0   | 1.0     | 10.5 | 1.0              | 11.5 | ns                |      |      |

## 8-bit serial-in/serial-out or parallel-out shift register with output latches

| Symbol                           | Parameter                     | Conditions                                                              | 25 °C |         |      | -40 °C to +85 °C |      | -40 °C to +125 °C |      | Unit |
|----------------------------------|-------------------------------|-------------------------------------------------------------------------|-------|---------|------|------------------|------|-------------------|------|------|
|                                  |                               |                                                                         | Min   | Typ [1] | Max  | Min              | Max  | Min               | Max  |      |
| t <sub>PHL</sub>                 | HIGH to LOW propagation delay | $\overline{MR}$ to Q7S; see Fig. 11                                     |       |         |      |                  |      |                   |      |      |
|                                  |                               | V <sub>CC</sub> = 3.0 V to 3.6 V; C <sub>L</sub> = 15 pF                | -     | 5.9     | 12.8 | 1.0              | 13.7 | 1.0               | 15.0 | ns   |
|                                  |                               | V <sub>CC</sub> = 3.0 V to 3.6 V; C <sub>L</sub> = 50 pF                | -     | 7.4     | 16.3 | 1.0              | 17.2 | 1.0               | 18.7 | ns   |
|                                  |                               | V <sub>CC</sub> = 4.5 V to 5.5 V; C <sub>L</sub> = 15 pF                | -     | 4.4     | 8.0  | 1.0              | 9.1  | 1.0               | 10.0 | ns   |
|                                  |                               | V <sub>CC</sub> = 4.5 V to 5.5 V; C <sub>L</sub> = 50 pF                | -     | 5.6     | 10.0 | 1.0              | 11.1 | 1.0               | 12.0 | ns   |
| t <sub>en</sub>                  | enable time                   | $\overline{OE}$ to Qn; see Fig. 12 [3]                                  |       |         |      |                  |      |                   |      |      |
|                                  |                               | V <sub>CC</sub> = 3.0 V to 3.6 V; C <sub>L</sub> = 15 pF                | -     | 5.6     | 11.5 | 1.0              | 13.5 | 1.0               | 15.0 | ns   |
|                                  |                               | V <sub>CC</sub> = 3.0 V to 3.6 V; C <sub>L</sub> = 50 pF                | -     | 7.4     | 15.0 | 1.0              | 17.0 | 1.0               | 18.5 | ns   |
|                                  |                               | V <sub>CC</sub> = 4.5 V to 5.5 V; C <sub>L</sub> = 15 pF                | -     | 4.0     | 8.6  | 1.0              | 10.0 | 1.0               | 11.0 | ns   |
|                                  |                               | V <sub>CC</sub> = 4.5 V to 5.5 V; C <sub>L</sub> = 50 pF                | -     | 5.3     | 10.6 | 1.0              | 12.0 | 1.0               | 13.0 | ns   |
| t <sub>dis</sub>                 | disable time                  | $\overline{OE}$ to Qn; see Fig. 12 [4]                                  |       |         |      |                  |      |                   |      |      |
|                                  |                               | V <sub>CC</sub> = 3.0 V to 3.6 V; C <sub>L</sub> = 15 pF                | -     | 5.4     | 11.0 | 1.0              | 13.0 | 1.0               | 14.5 | ns   |
|                                  |                               | V <sub>CC</sub> = 3.0 V to 3.6 V; C <sub>L</sub> = 50 pF                | -     | 8.7     | 15.7 | 1.0              | 16.2 | 1.0               | 17.5 | ns   |
|                                  |                               | V <sub>CC</sub> = 4.5 V to 5.5 V; C <sub>L</sub> = 15 pF                | -     | 3.8     | 8.0  | 1.0              | 9.5  | 1.0               | 10.5 | ns   |
|                                  |                               | V <sub>CC</sub> = 4.5 V to 5.5 V; C <sub>L</sub> = 50 pF                | -     | 5.8     | 10.3 | 1.0              | 11.0 | 1.0               | 12.0 | ns   |
| f <sub>max</sub>                 | maximum frequency             | SHCP or STCP; see Fig. 8 and Fig. 9                                     |       |         |      |                  |      |                   |      |      |
|                                  |                               | V <sub>CC</sub> = 3.0 V to 3.6 V                                        | 80    | 125     | -    | 60               | -    | 40                | -    | MHz  |
|                                  |                               | V <sub>CC</sub> = 4.5 V to 5.5 V                                        | 130   | 170     | -    | 110              | -    | 90                | -    | MHz  |
| t <sub>w</sub>                   | pulse width                   | SHCP HIGH or LOW; see Fig. 8                                            |       |         |      |                  |      |                   |      |      |
|                                  |                               | V <sub>CC</sub> = 3.0 V to 3.6 V                                        | 5.0   | -       | -    | 5.0              | -    | 5.0               | -    | ns   |
|                                  |                               | V <sub>CC</sub> = 4.5 V to 5.5 V                                        | 5.0   | -       | -    | 5.0              | -    | 5.0               | -    | ns   |
|                                  |                               | STCP HIGH or LOW; see Fig. 9                                            |       |         |      |                  |      |                   |      |      |
|                                  |                               | V <sub>CC</sub> = 3.0 V to 3.6 V                                        | 5.0   | -       | -    | 5.0              | -    | 5.0               | -    | ns   |
|                                  |                               | V <sub>CC</sub> = 4.5 V to 5.5 V                                        | 5.0   | -       | -    | 5.0              | -    | 5.0               | -    | ns   |
|                                  |                               | $\overline{MR}$ LOW; see Fig. 11                                        |       |         |      |                  |      |                   |      |      |
|                                  |                               | V <sub>CC</sub> = 3.0 V to 3.6 V                                        | 5.0   | -       | -    | 5.0              | -    | 5.0               | -    | ns   |
| V <sub>CC</sub> = 4.5 V to 5.5 V | 5.0                           | -                                                                       | -     | 5.0     | -    | 5.0              | -    | ns                |      |      |
| t <sub>su</sub>                  | set-up time                   | DS to SHCP; see Fig. 10                                                 |       |         |      |                  |      |                   |      |      |
|                                  |                               | V <sub>CC</sub> = 3.0 V to 3.6 V                                        | 3.5   | -       | -    | 3.5              | -    | 3.5               | -    | ns   |
|                                  |                               | V <sub>CC</sub> = 4.5 V to 5.5 V                                        | 3.0   | -       | -    | 3.0              | -    | 3.0               | -    | ns   |
|                                  |                               | SHCP to STCP; see Fig. 9                                                |       |         |      |                  |      |                   |      |      |
|                                  |                               | V <sub>CC</sub> = 3.0 V to 3.6 V                                        | 8.5   | -       | -    | 8.5              | -    | 8.5               | -    | ns   |
|                                  |                               | V <sub>CC</sub> = 4.5 V to 5.5 V                                        | 5.0   | -       | -    | 5.0              | -    | 5.0               | -    | ns   |
| t <sub>h</sub>                   | hold time                     | DS to SHCP; see Fig. 10                                                 |       |         |      |                  |      |                   |      |      |
|                                  |                               | V <sub>CC</sub> = 3.0 V to 3.6 V                                        | 1.5   | -       | -    | 1.5              | -    | 1.5               | -    | ns   |
|                                  |                               | V <sub>CC</sub> = 4.5 V to 5.5 V                                        | 2.0   | -       | -    | 2.0              | -    | 2.0               | -    | ns   |
| t <sub>rec</sub>                 | recovery time                 | $\overline{MR}$ to SHCP; see Fig. 11                                    |       |         |      |                  |      |                   |      |      |
|                                  |                               | V <sub>CC</sub> = 3.0 V to 3.6 V                                        | 3.0   | -       | -    | 3.0              | -    | 3.0               | -    | ns   |
|                                  |                               | V <sub>CC</sub> = 4.5 V to 5.5 V                                        | 2.5   | -       | -    | 2.5              | -    | 2.5               | -    | ns   |
| C <sub>PD</sub>                  | power dissipation capacitance | f <sub>i</sub> = 1 MHz; V <sub>I</sub> = GND to V <sub>CC</sub> [5] [6] | -     | 180     | -    | -                | -    | -                 | -    | pF   |



## 8-bit serial-in/serial-out or parallel-out shift register with output latches

| Symbol                | Parameter                     | Conditions                                                              | 25 °C |         |      | -40 °C to +85 °C |      | -40 °C to +125 °C |      | Unit |
|-----------------------|-------------------------------|-------------------------------------------------------------------------|-------|---------|------|------------------|------|-------------------|------|------|
|                       |                               |                                                                         | Min   | Typ [1] | Max  | Min              | Max  | Min               | Max  |      |
| <b>74AHCT595-Q100</b> |                               |                                                                         |       |         |      |                  |      |                   |      |      |
| t <sub>pd</sub>       | propagation delay             | SHCP to Q7S; see Fig. 8 [2]                                             |       |         |      |                  |      |                   |      |      |
|                       |                               | V <sub>CC</sub> = 4.5 V to 5.5 V; C <sub>L</sub> = 15 pF                | -     | 3.8     | 8.2  | 1.0              | 9.0  | 1.0               | 10.0 | ns   |
|                       |                               | V <sub>CC</sub> = 4.5 V to 5.5 V; C <sub>L</sub> = 50 pF                | -     | 5.2     | 10.0 | 1.0              | 11.0 | 1.0               | 12.0 | ns   |
|                       |                               | STCP to Qn; see Fig. 9 [2]                                              |       |         |      |                  |      |                   |      |      |
|                       |                               | V <sub>CC</sub> = 4.5 V to 5.5 V; C <sub>L</sub> = 15 pF                | -     | 4.0     | 7.4  | 1.0              | 8.5  | 1.0               | 9.5  | ns   |
|                       |                               | V <sub>CC</sub> = 4.5 V to 5.5 V; C <sub>L</sub> = 50 pF                | -     | 5.3     | 9.0  | 1.0              | 10.5 | 1.0               | 11.5 | ns   |
| t <sub>PHL</sub>      | HIGH to LOW propagation delay | M $\bar{R}$ to Q7S; see Fig. 11                                         |       |         |      |                  |      |                   |      |      |
|                       |                               | V <sub>CC</sub> = 4.5 V to 5.5 V; C <sub>L</sub> = 15 pF                | -     | 4.6     | 8.2  | 1.0              | 9.5  | 1.0               | 10.5 | ns   |
|                       |                               | V <sub>CC</sub> = 4.5 V to 5.5 V; C <sub>L</sub> = 50 pF                | -     | 5.8     | 10.5 | 1.0              | 11.5 | 1.0               | 12.5 | ns   |
| t <sub>en</sub>       | enable time                   | O $\bar{E}$ to Qn; see Fig. 12 [3]                                      |       |         |      |                  |      |                   |      |      |
|                       |                               | V <sub>CC</sub> = 4.5 V to 5.5 V; C <sub>L</sub> = 15 pF                | -     | 4.8     | 9.0  | 1.0              | 11.0 | 1.0               | 12.0 | ns   |
|                       |                               | V <sub>CC</sub> = 4.5 V to 5.5 V; C <sub>L</sub> = 50 pF                | -     | 6.2     | 11.6 | 1.0              | 13.0 | 1.0               | 14.5 | ns   |
| t <sub>dis</sub>      | disable time                  | O $\bar{E}$ to Qn; see Fig. 12 [4]                                      |       |         |      |                  |      |                   |      |      |
|                       |                               | V <sub>CC</sub> = 4.5 V to 5.5 V; C <sub>L</sub> = 15 pF                | -     | 3.6     | 6.9  | 1.0              | 8.0  | 1.0               | 9.0  | ns   |
|                       |                               | V <sub>CC</sub> = 4.5 V to 5.5 V; C <sub>L</sub> = 50 pF                | -     | 5.8     | 10.3 | 1.0              | 11.0 | 1.0               | 12.0 | ns   |
| f <sub>max</sub>      | maximum frequency             | SHCP and STCP; V <sub>CC</sub> = 4.5 V to 5.5 V; see Fig. 8 and Fig. 9  | 130   | 170     | -    | 110              | -    | 90                | -    | MHz  |
| t <sub>w</sub>        | pulse width                   | SHCP HIGH or LOW; V <sub>CC</sub> = 4.5 V to 5.5 V; see Fig. 8          | 5.0   | -       | -    | 5.0              | -    | 5.0               | -    | ns   |
|                       |                               | STCP HIGH or LOW; V <sub>CC</sub> = 4.5 V to 5.5 V; see Fig. 9          | 5.0   | -       | -    | 5.0              | -    | 5.0               | -    | ns   |
|                       |                               | M $\bar{R}$ LOW; V <sub>CC</sub> = 4.5 V to 5.5 V; see Fig. 11          | 5.0   | -       | -    | 5.0              | -    | 5.0               | -    | ns   |
| t <sub>su</sub>       | set-up time                   | DS to SHCP; V <sub>CC</sub> = 4.5 V to 5.5 V; see Fig. 10               | 3.0   | -       | -    | 3.0              | -    | 3.0               | -    | ns   |
|                       |                               | SHCP to STCP; V <sub>CC</sub> = 4.5 V to 5.5 V; see Fig. 9              | 5.0   | -       | -    | 5.0              | -    | 5.0               | -    | ns   |
| t <sub>h</sub>        | hold time                     | DS to SHCP; V <sub>CC</sub> = 4.5 V to 5.5 V; see Fig. 10               | 2.0   | -       | -    | 2.0              | -    | 2.0               | -    | ns   |
| t <sub>rec</sub>      | recovery time                 | M $\bar{R}$ to SHCP; V <sub>CC</sub> = 4.5 V to 5.5 V; see Fig. 11      | 3.0   | -       | -    | 3.0              | -    | 3.0               | -    | ns   |
| C <sub>PD</sub>       | power dissipation capacitance | f <sub>i</sub> = 1 MHz; V <sub>I</sub> = GND to V <sub>CC</sub> [5] [6] | -     | 190     | -    | -                | -    | -                 | -    | pF   |

[1] Typical values are measured at nominal supply voltage.

[2] t<sub>pd</sub> is the same as t<sub>PHL</sub> and t<sub>PLH</sub>.

[3] t<sub>en</sub> is the same as t<sub>PZL</sub> and t<sub>PZH</sub>.

[4] t<sub>dis</sub> is the same as t<sub>PLZ</sub> and t<sub>PHZ</sub>.

[5] C<sub>PD</sub> is used to determine the dynamic power dissipation (P<sub>D</sub> in μW).

$$P_D = C_{PD} \times V_{CC}^2 \times f_i + \sum(C_L \times V_{CC}^2 \times f_o) \text{ where:}$$

f<sub>i</sub> = input frequency in MHz;

f<sub>o</sub> = output frequency in MHz;

∑(C<sub>L</sub> × V<sub>CC</sub><sup>2</sup> × f<sub>o</sub>) = sum of outputs;

C<sub>L</sub> = output load capacitance in pF;

V<sub>CC</sub> = supply voltage in V.

[6] All 9 outputs switching.

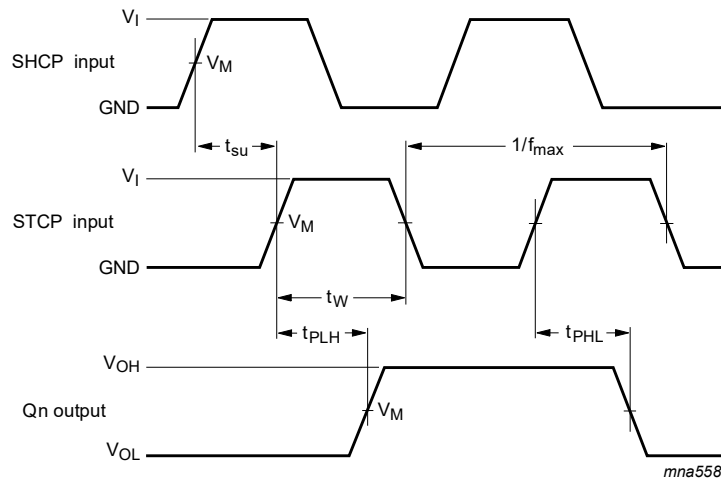
11.1. Waveforms and test circuit



Measurement points are given in [Table 8](#).

$V_{OL}$  and  $V_{OH}$  are typical output voltage levels that occur with the output load.

**Fig. 8. Shift clock pulse, maximum frequency and input to output propagation delays**

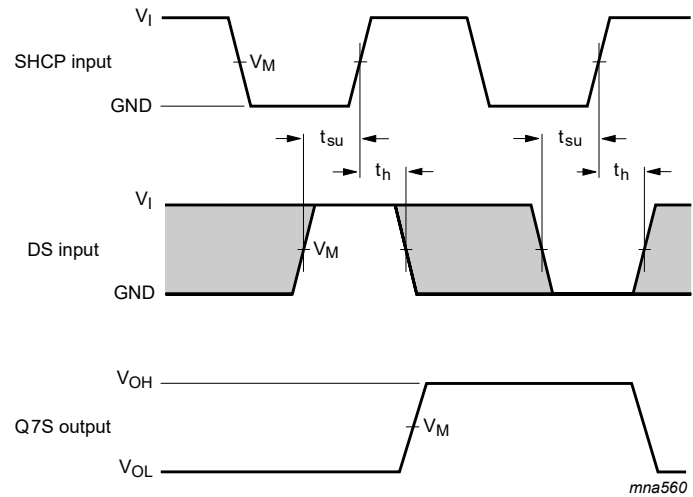


Measurement points are given in [Table 8](#).

$V_{OL}$  and  $V_{OH}$  are typical output voltage levels that occur with the output load.

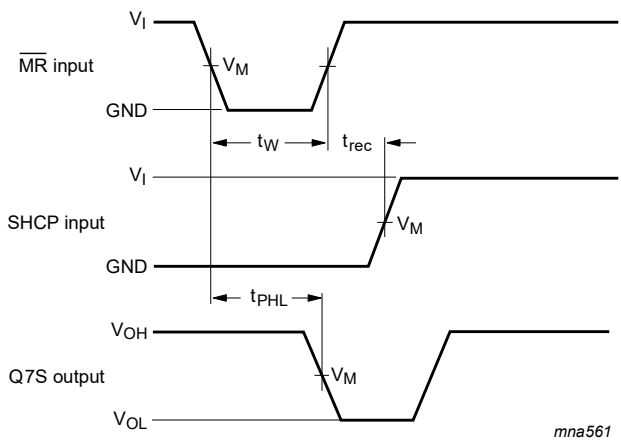
**Fig. 9. Storage clock to output propagation delays**

8-bit serial-in/serial-out or parallel-out shift register with output latches



Measurement points are given in [Table 8](#).  
 The shaded areas indicate when the input is permitted to change for predictable output performance.  
 $V_{OL}$  and  $V_{OH}$  are typical output voltage levels that occur with the output load.

**Fig. 10. Data set-up and hold times**



Measurement points are given in [Table 8](#).  
 $V_{OL}$  and  $V_{OH}$  are typical output voltage levels that occur with the output load.

**Fig. 11. Master reset to output propagation delays**

8-bit serial-in/serial-out or parallel-out shift register with output latches



Table 8. Measurement points

| Type           | Input       | Output      |
|----------------|-------------|-------------|
|                | $V_M$       | $V_M$       |
| 74AHC595-Q100  | $0.5V_{CC}$ | $0.5V_{CC}$ |
| 74AHCT595-Q100 | 1.5 V       | $0.5V_{CC}$ |

8-bit serial-in/serial-out or parallel-out shift register with output latches

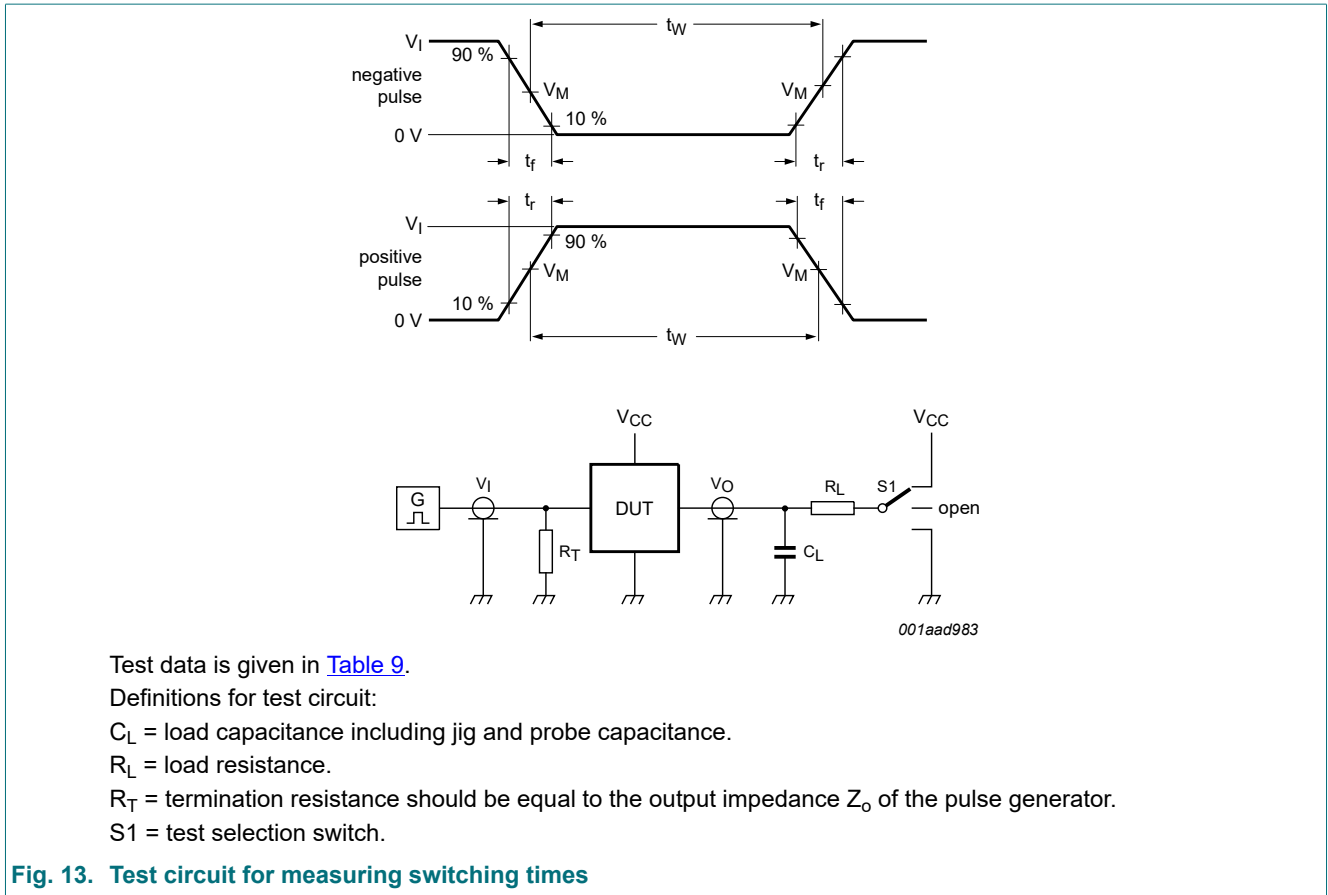


Fig. 13. Test circuit for measuring switching times

Table 9. Test data

| Type           | Input    |               | Load         |              | S1 position        |                    |                    |
|----------------|----------|---------------|--------------|--------------|--------------------|--------------------|--------------------|
|                | $V_I$    | $t_r, t_f$    | $C_L$        | $R_L$        | $t_{PHL}, t_{PLH}$ | $t_{PZH}, t_{PHZ}$ | $t_{PZL}, t_{PLZ}$ |
| 74AHC595-Q100  | $V_{CC}$ | $\leq 3.0$ ns | 15 pF, 50 pF | 1 k $\Omega$ | open               | GND                | $V_{CC}$           |
| 74AHCT595-Q100 | 3.0 V    | $\leq 3.0$ ns | 15 pF, 50 pF | 1 k $\Omega$ | open               | GND                | $V_{CC}$           |

## 12. Package outline

SO16: plastic small outline package; 16 leads; body width 3.9 mm

SOT109-1

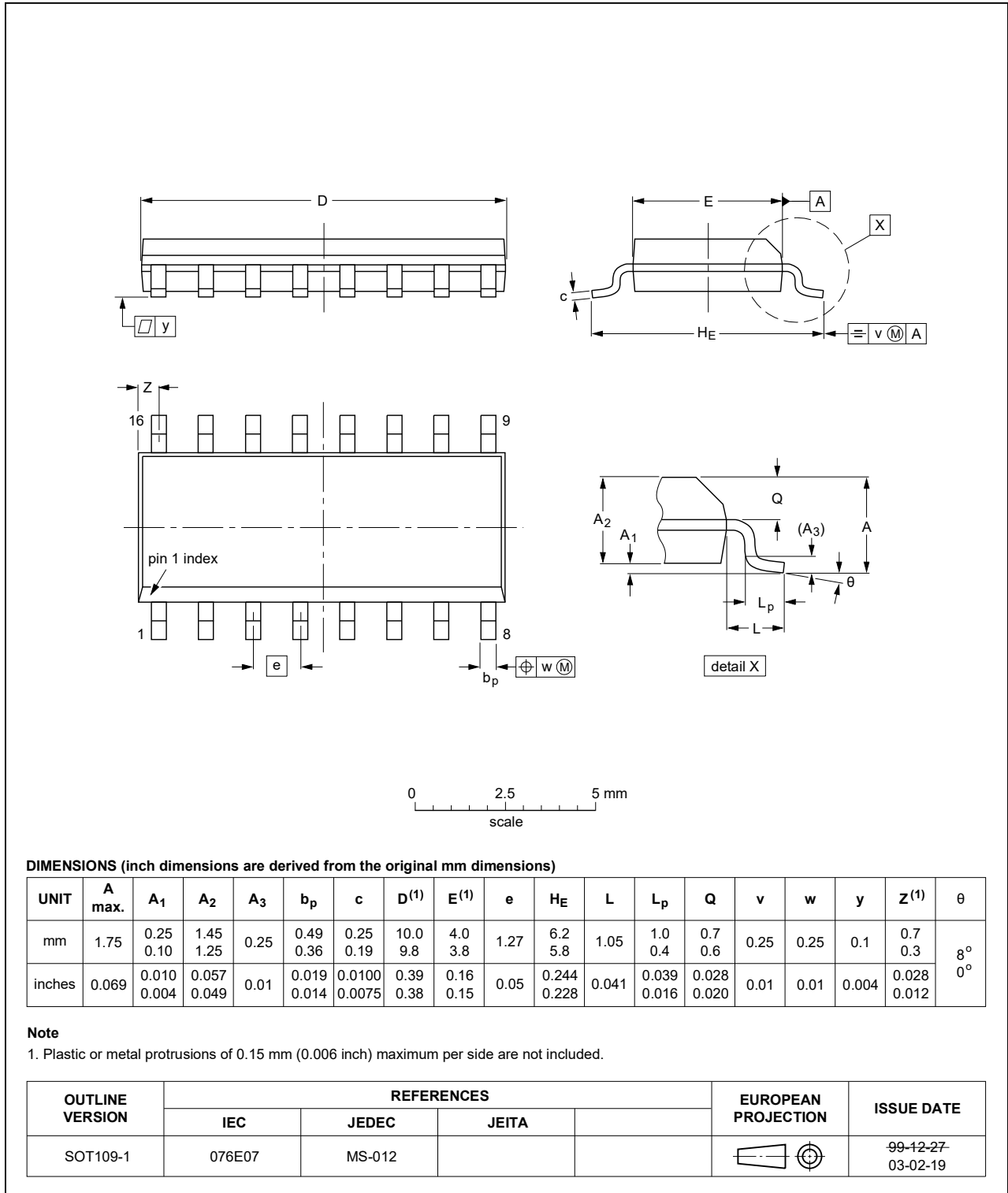


Fig. 14. Package outline SOT109-1 (SO16)

TSSOP16: plastic thin shrink small outline package; 16 leads; body width 4.4 mm

SOT403-1



Fig. 15. Package outline SOT403-1 (TSSOP16)

DHVQFN16: plastic dual in-line compatible thermal enhanced very thin quad flat package; no leads; 16 terminals; body 2.5 x 3.5 x 0.85 mm

SOT763-1



Fig. 16. Package outline SOT763-1 (DHVQFN16)



## 13. Abbreviations

Table 10. Abbreviations

| Acronym | Description                             |
|---------|-----------------------------------------|
| CMOS    | Complementary Metal-Oxide Semiconductor |
| ESD     | ElectroStatic Discharge                 |
| HBM     | Human Body Model                        |
| MIL     | Military                                |
| MM      | Machine Model                           |
| TTL     | Transistor-Transistor Logic             |

## 14. Revision history

Table 11. Revision history

| Document ID            | Release date                                                                                                                                                                                                                                                                                                                                                                                                                                                                                                                                                                                             | Data sheet status  | Change notice | Supersedes             |
|------------------------|----------------------------------------------------------------------------------------------------------------------------------------------------------------------------------------------------------------------------------------------------------------------------------------------------------------------------------------------------------------------------------------------------------------------------------------------------------------------------------------------------------------------------------------------------------------------------------------------------------|--------------------|---------------|------------------------|
| 74AHC_AHCT595_Q100 v.2 | 20200526                                                                                                                                                                                                                                                                                                                                                                                                                                                                                                                                                                                                 | Product data sheet | -             | 74AHC_AHCT595_Q100 v.1 |
| Modifications:         | <ul style="list-style-type: none"> <li>The format of this data sheet has been redesigned to comply with the identity guidelines of Nexperia.</li> <li>Legal texts have been adapted to the new company name where appropriate.</li> <li><a href="#">Section 1</a> and <a href="#">Section 2</a> updated.</li> <li><a href="#">Fig. 7</a>: Timing diagram updated with SHCP waveform.</li> <li><a href="#">Table 4</a>: Derating values for <math>P_{tot}</math> total power dissipation updated.</li> <li><a href="#">Table 7</a>: Propagation delay symbol and parameter corrected (Errata).</li> </ul> |                    |               |                        |
| 74AHC_AHCT595_Q100 v.1 | 20120712                                                                                                                                                                                                                                                                                                                                                                                                                                                                                                                                                                                                 | Product data sheet | -             | -                      |

## 15. Legal information

### Data sheet status

| Document status [1][2]         | Product status [3] | Definition                                                                            |
|--------------------------------|--------------------|---------------------------------------------------------------------------------------|
| Objective [short] data sheet   | Development        | This document contains data from the objective specification for product development. |
| Preliminary [short] data sheet | Qualification      | This document contains data from the preliminary specification.                       |
| Product [short] data sheet     | Production         | This document contains the product specification.                                     |

- [1] Please consult the most recently issued document before initiating or completing a design.
- [2] The term 'short data sheet' is explained in section "Definitions".
- [3] The product status of device(s) described in this document may have changed since this document was published and may differ in case of multiple devices. The latest product status information is available on the internet at <https://www.nexperia.com>.

### Definitions

**Draft** — The document is a draft version only. The content is still under internal review and subject to formal approval, which may result in modifications or additions. Nexperia does not give any representations or warranties as to the accuracy or completeness of information included herein and shall have no liability for the consequences of use of such information.

**Short data sheet** — A short data sheet is an extract from a full data sheet with the same product type number(s) and title. A short data sheet is intended for quick reference only and should not be relied upon to contain detailed and full information. For detailed and full information see the relevant full data sheet, which is available on request via the local Nexperia sales office. In case of any inconsistency or conflict with the short data sheet, the full data sheet shall prevail.

**Product specification** — The information and data provided in a Product data sheet shall define the specification of the product as agreed between Nexperia and its customer, unless Nexperia and customer have explicitly agreed otherwise in writing. In no event however, shall an agreement be valid in which the Nexperia product is deemed to offer functions and qualities beyond those described in the Product data sheet.

### Disclaimers

**Limited warranty and liability** — Information in this document is believed to be accurate and reliable. However, Nexperia does not give any representations or warranties, expressed or implied, as to the accuracy or completeness of such information and shall have no liability for the consequences of use of such information. Nexperia takes no responsibility for the content in this document if provided by an information source outside of Nexperia.

In no event shall Nexperia be liable for any indirect, incidental, punitive, special or consequential damages (including - without limitation - lost profits, lost savings, business interruption, costs related to the removal or replacement of any products or rework charges) whether or not such damages are based on tort (including negligence), warranty, breach of contract or any other legal theory.

Notwithstanding any damages that customer might incur for any reason whatsoever, Nexperia's aggregate and cumulative liability towards customer for the products described herein shall be limited in accordance with the Terms and conditions of commercial sale of Nexperia.

**Right to make changes** — Nexperia reserves the right to make changes to information published in this document, including without limitation specifications and product descriptions, at any time and without notice. This document supersedes and replaces all information supplied prior to the publication hereof.

**Suitability for use in automotive applications** — This Nexperia product has been qualified for use in automotive applications. Unless otherwise agreed in writing, the product is not designed, authorized or warranted to be suitable for use in life support, life-critical or safety-critical systems or

equipment, nor in applications where failure or malfunction of an Nexperia product can reasonably be expected to result in personal injury, death or severe property or environmental damage. Nexperia and its suppliers accept no liability for inclusion and/or use of Nexperia products in such equipment or applications and therefore such inclusion and/or use is at the customer's own risk.

**Quick reference data** — The Quick reference data is an extract of the product data given in the Limiting values and Characteristics sections of this document, and as such is not complete, exhaustive or legally binding.

**Applications** — Applications that are described herein for any of these products are for illustrative purposes only. Nexperia makes no representation or warranty that such applications will be suitable for the specified use without further testing or modification.

Customers are responsible for the design and operation of their applications and products using Nexperia products, and Nexperia accepts no liability for any assistance with applications or customer product design. It is customer's sole responsibility to determine whether the Nexperia product is suitable and fit for the customer's applications and products planned, as well as for the planned application and use of customer's third party customer(s). Customers should provide appropriate design and operating safeguards to minimize the risks associated with their applications and products.

Nexperia does not accept any liability related to any default, damage, costs or problem which is based on any weakness or default in the customer's applications or products, or the application or use by customer's third party customer(s). Customer is responsible for doing all necessary testing for the customer's applications and products using Nexperia products in order to avoid a default of the applications and the products or of the application or use by customer's third party customer(s). Nexperia does not accept any liability in this respect.

**Limiting values** — Stress above one or more limiting values (as defined in the Absolute Maximum Ratings System of IEC 60134) will cause permanent damage to the device. Limiting values are stress ratings only and (proper) operation of the device at these or any other conditions above those given in the Recommended operating conditions section (if present) or the Characteristics sections of this document is not warranted. Constant or repeated exposure to limiting values will permanently and irreversibly affect the quality and reliability of the device.

**Terms and conditions of commercial sale** — Nexperia products are sold subject to the general terms and conditions of commercial sale, as published at <http://www.nexperia.com/profile/terms>, unless otherwise agreed in a valid written individual agreement. In case an individual agreement is concluded only the terms and conditions of the respective agreement shall apply. Nexperia hereby expressly objects to applying the customer's general terms and conditions with regard to the purchase of Nexperia products by customer.

**No offer to sell or license** — Nothing in this document may be interpreted or construed as an offer to sell products that is open for acceptance or the grant, conveyance or implication of any license under any copyrights, patents or other industrial or intellectual property rights.

**Export control** — This document as well as the item(s) described herein may be subject to export control regulations. Export might require a prior authorization from competent authorities.

**Translations** — A non-English (translated) version of a document is for reference only. The English version shall prevail in case of any discrepancy between the translated and English versions.

### Trademarks

Notice: All referenced brands, product names, service names and trademarks are the property of their respective owners.

## Contents

---

|                                                  |           |
|--------------------------------------------------|-----------|
| <b>1. General description</b> .....              | <b>1</b>  |
| <b>2. Features and benefits</b> .....            | <b>1</b>  |
| <b>3. Applications</b> .....                     | <b>1</b>  |
| <b>4. Ordering information</b> .....             | <b>2</b>  |
| <b>5. Functional diagram</b> .....               | <b>2</b>  |
| <b>6. Pinning information</b> .....              | <b>3</b>  |
| 6.1. Pinning.....                                | 3         |
| 6.2. Pin description.....                        | 4         |
| <b>7. Functional description</b> .....           | <b>4</b>  |
| <b>8. Limiting values</b> .....                  | <b>5</b>  |
| <b>9. Recommended operating conditions</b> ..... | <b>6</b>  |
| <b>10. Static characteristics</b> .....          | <b>6</b>  |
| <b>11. Dynamic characteristics</b> .....         | <b>7</b>  |
| 11.1. Waveforms and test circuit.....            | 10        |
| <b>12. Package outline</b> .....                 | <b>14</b> |
| <b>13. Abbreviations</b> .....                   | <b>17</b> |
| <b>14. Revision history</b> .....                | <b>17</b> |
| <b>15. Legal information</b> .....               | <b>18</b> |

---

© Nexperia B.V. 2020. All rights reserved

For more information, please visit: <http://www.nexperia.com>

For sales office addresses, please send an email to: [salesaddresses@nexperia.com](mailto:salesaddresses@nexperia.com)

Date of release: 26 May 2020

---

Компания «Life Electronics» занимается поставками электронных компонентов импортного и отечественного производства от производителей и со складов крупных дистрибьюторов Европы, Америки и Азии.

С конца 2013 года компания активно расширяет линейку поставок компонентов по направлению коаксиальный кабель, кварцевые генераторы и конденсаторы (керамические, пленочные, электролитические), за счёт заключения дистрибьюторских договоров

Мы предлагаем:

- Конкуренспособные цены и скидки постоянным клиентам.
- Специальные условия для постоянных клиентов.
- Подбор аналогов.
- Поставку компонентов в любых объемах, удовлетворяющих вашим потребностям.
- Приемлемые сроки поставки, возможна ускоренная поставка.
- Доставку товара в любую точку России и стран СНГ.
- Комплексную поставку.
- Работу по проектам и поставку образцов.
- Формирование склада под заказчика.
- Сертификаты соответствия на поставляемую продукцию (по желанию клиента).
- Тестирование поставляемой продукции.
- Поставку компонентов, требующих военную и космическую приемку.
- Входной контроль качества.
- Наличие сертификата ISO.

В составе нашей компании организован Конструкторский отдел, призванный помогать разработчикам, и инженерам.

Конструкторский отдел помогает осуществить:

- Регистрацию проекта у производителя компонентов.
- Техническую поддержку проекта.
- Защиту от снятия компонента с производства.
- Оценку стоимости проекта по компонентам.
- Изготовление тестовой платы монтаж и пусконаладочные работы.



Тел: +7 (812) 336 43 04 (многоканальный)

Email: [org@lifeelectronics.ru](mailto:org@lifeelectronics.ru)