

# FND850-12DRG Front-End Preliminary Data Sheet

## DC Input, 12V Output, 850 Watts



### Features

- RoHS compliant for all six substances
- Universal input voltage range (36-75 VDC)
- High power density, 15.15 Watts/cubic inch
- 1U or 2U height configurations
- Droop current share with ORing FETs
- I<sup>2</sup>C interface status and control
- External standby voltage of 12 VDC @ 1 A
- Overtemperature, overload, and overvoltage protection
- Status LEDs: INPUT OK, OUTPUT OK, Overtemperature
- Airflow direction from rear-to-front

### Applications

- Telecom, datacom, and distributed power systems

### Description

The FND850-12DRG DC-DC front-end provides a 12 VDC output for telecom, datacom, and other distributed power applications. The FND850-12DRG small 1U by 2U size allows for configurations of either height in hot-swap redundant systems while its internal fan and cooling design permits wide use with reliable operation.

Status is provided with front panel LEDs, logic signals, and via the I<sup>2</sup>C management interface bus. In addition, the I<sup>2</sup>C bus can enable the power supply, control fan speed, and adjust the output voltage from 7 to 12 VDC. This powerful feature allows the same power supply to be used in various applications.

In addition, the FND850-12DRG is designed with airflow from the rear of the power supply to the front. This airflow direction supports those critical applications where space limitations and/or higher ambient temperatures near the rear of the racking system, prohibit the discharge of higher temperature airflow from regular front-to-rear cooled power supplies.

The FND850-12DRG meets international safety requirements and is CE marked to the Low Voltage Directive (LVD).

### Model Selection

Model	Input Voltage (VDC)	Nominal Output Voltage (VDC)	Adjustment Range (VDC)	Maximum Output Current (Amps)	Line Regulation (%) <sup>1</sup>	Load Regulation (%) <sup>1,2</sup>	Ripple & Noise pk-pk (%) <sup>3</sup>
FND850-12DRG	36 to 44	12	7 to 12.3	58	±0.17	6	1
	44 to 75	12	7 to 12.3	71	±0.17	6	1
	36 to 75	12 (Standby)	N/A	1	±5	±5	1

<sup>1</sup> % of Vnom

<sup>2</sup> Main 12 V output has built-in droop regulation.

<sup>3</sup> Maximum peak-to-peak noise is expressed as a percentage of output voltage; 20 MHz bandwidth.

### Input Specifications

Parameter	Conditions/Description	Min.	Nom.	Max.	Units
Input Voltage	DC input voltage	36		75	VDC
Hold-up Time	After DC input is removed at full power	4	5		ms
Input Current	At 100% load (main and standby output), Vin = 36 VDC			23.5	A rms
Inrush Surge Current	Internally limited. Vin = 36 VDC @ 25 °C			35	A pk
	Internally limited. Vin = 75 VDC @ 25 °C			25	



**Output Specifications**

Parameter	Conditions/Description	Min.	Nom.	Max.	Units
Efficiency	Full rated load at Vin = 36 to 75 VDC, Vout = 12V	84	88		%
	Full rated load at Vin = 36 to 75 VDC, Vout = 7V	80	82		
Minimum Load	Minimum loading required to maintain regulation.	0			A
Output Current	Main output: Vin = 36 to 44 VDC		58		A rms
	Main output: Vin = 44 to 75 VDC		71		
Nominal Output Power	12V output, Vin = 36 to 44 VDC			700	W
	12V output, Vin = 44 to 75 VDC			850	
	Standby output Vin = 36 to 75 VDC			12	
Overshoot	Output voltage overshoot at turn-on.			3	%
Transient Response	Maximum recovery time and deviation of initial set point due to a 50% load change, 1A/μs. Maximum recovery time: 12V output Maximum deviation: 12V output			1200 2 <sup>1</sup>	μs %
	Maximum recovery time and deviation of initial set point due to a 100% load change, 1A/μs. Maximum recovery time: 12V output Maximum deviation: 12V output			2 4 <sup>1</sup>	ms %
Turn-On Delay	Time required for initial output voltage stabilization after application of DC input.			2	Sec
Output Regulation	See Model Selection table on page 1.				

<sup>1</sup> Percentage value is based upon nominal output voltage. Does not include the voltage droop of 10 mV/1A (720 mV/71A)

**Interface Signals and Internal Protection**

Parameter	Conditions/Description	Min.	Nom.	Max.	Units
Overvoltage Protection	Latch-style overvoltage protection. Output adjusted to 12V: Output adjusted to 7V:	14.36 8.37		15.65 9.13	V
Overcurrent Protection <sup>1</sup>	Current limit. 12V output (Vin = 44 to 75V) 12V output (Vin = 36 to 44V) Standby output:	74 61 1.1	78 64 1.3	85 70 1.5	A
Short-Circuit Protection	Power supply to recover when short is removed.				
Overtemperature/ Fan Failure Warning <sup>1</sup>	<p>12V output will shut down in the event of an overtemperature condition or blocked fan rotor. Supply's fan and Vaux are active. Power supply will recover when OT condition is removed. Amber OT LED will turn ON to indicate fault condition.</p> <p>OT/Fan Fail is an open-collector signal with 20-mA pull-down. High signal indicates a normal operating condition. Output will go low at least 100 ms before OT condition shuts down the power supply. An amber light indicates fan failure.</p>				
DC OK <sup>1</sup>	TTL open-collector signal with active 20-mA pull-down. Represents percent of nominal set output voltage where signal is OK. Outside of this percentage, a signal high condition indicates an output which is out of tolerance. Green DC OK LED on front panel indicates normal operation.	90		110	%
Input Power Fail Warning <sup>1</sup>	TTL open-collector signal with active 20-mA pull-down. High indicates an input power fail (outside 36-75 VDC). Power Fail Warning will turn OFF green INPUT OK LED. Represents the time after warning signal before Vout drops to 95% due to loss of input power.	4			ms
Power Supply Present Signal <sup>1</sup>	Resistance of connection to logic ground which allows user to determine if power supply is present.		10		Ω
Current Share	Main output only. Difference in current between two supplies ( $I\Delta < 5\%$ Isum - nom)			7.1	A
Remote Sense	Total voltage compensation for cable losses with respect to the main output.			0.5	V
Output Enable	Open circuit or logic high from ENA pin to Vo1 RTN shuts OFF Vo1; Vaux and fan are operational. Logic low (2 mA sink capability) or jumper will turn ON Vo1 within 100 ms. Open circuit voltage on enable pin is 3.3 VDC. Externally applied voltage to the enable pin should NOT exceed 7 VDC. Signal is referred to as Logic Return (LRTN).				

<sup>1</sup> Also available on I<sup>2</sup>C data line.





**Environmental Specifications**

Parameter	Conditions/Description	Min.	Nom.	Max.	Units
Altitude	Operating. Non-Operating.			10K 40K	ASL ft
Operating Temperature	Internal DC fan for cooling. At 100% load: <sup>1</sup> At 50% load:	0 0		50 70	°C
Storage Temperature		-40		85	°C
Temperature Coefficient	0 °C to 70 °C (after 15-minute warm-up).			0.02	%/°C
Relative Humidity	Non-condensing (operational)			90	%RH
	Non-condensing (non operational)			95	%RH
Shock	Operating: half-sine, 10 ms, 3-axis.			+20	Gpk
	Non-Operating: half-sine, 10 ms, 3-axis.			+40	
Vibration	Operating: swept sine 5-2000-5 Hz, 5-32 Hz, 0.02iDA, 32-2000 Hz.			1	Gpk
	Non-operating: random 10-2000 Hz.			6.16	Grms

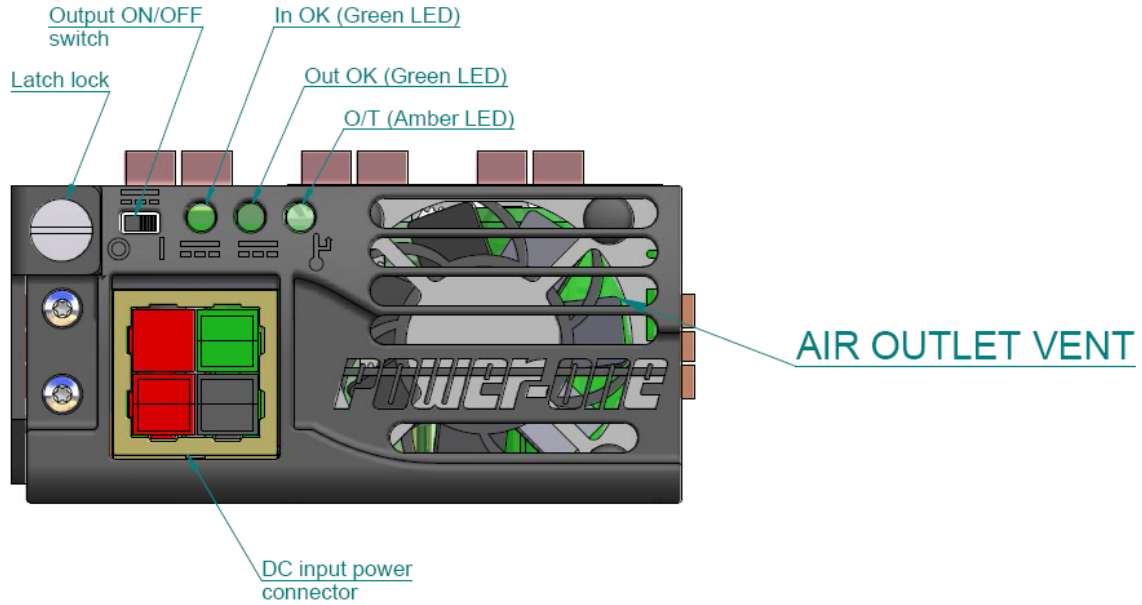
<sup>1</sup> At temperatures over 50°C – linear power derating to 50% of rated load up to 70°C

**Reliability**

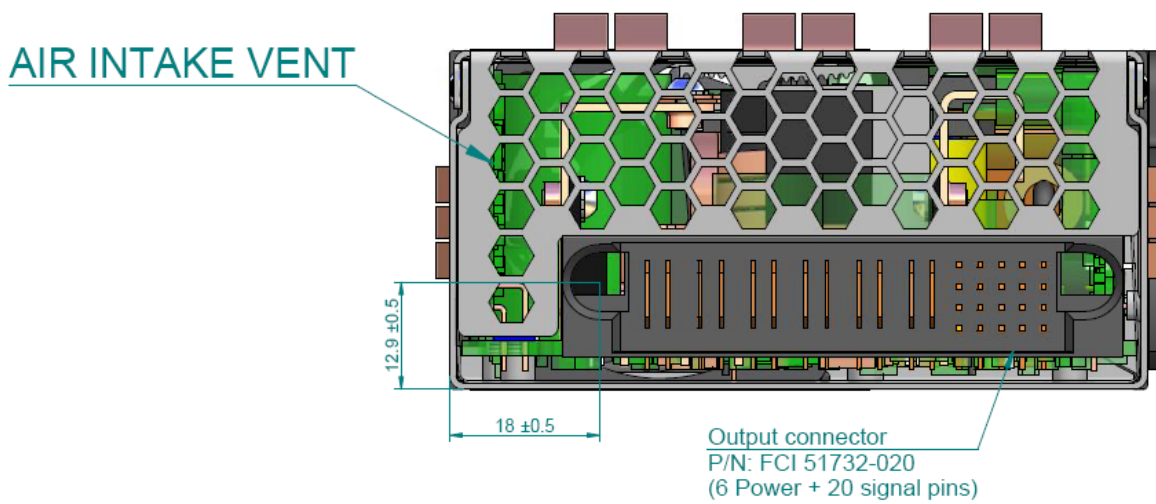
Parameter	Conditions/Description	Min.	Nom.	Max.	Units
MTBF	Calculated per MILHDBK 217F Ground Benign at 25 °C. (does not include fan)	100 000			hrs
Useful Life	Based on fan life at 50 °C.	7			yrs

**Mechanical Drawings**

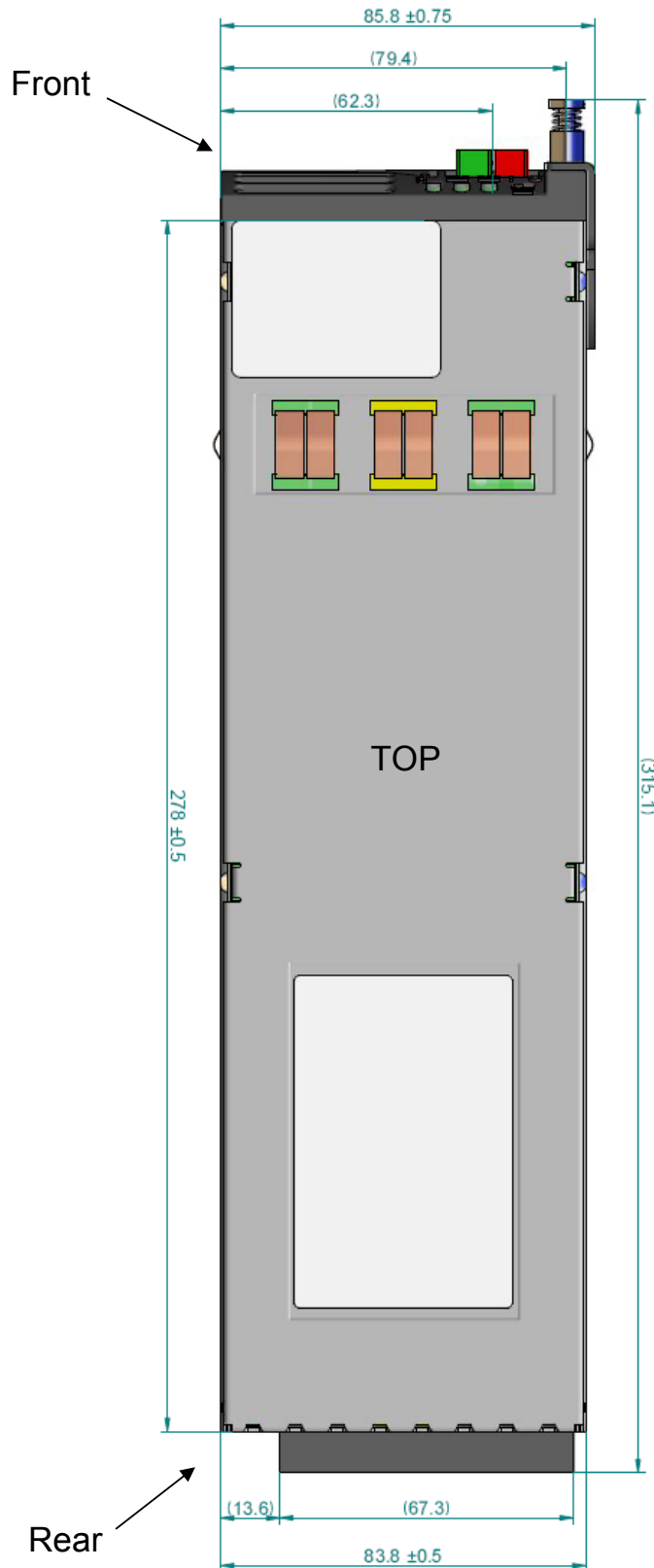
**FRONT VIEW**



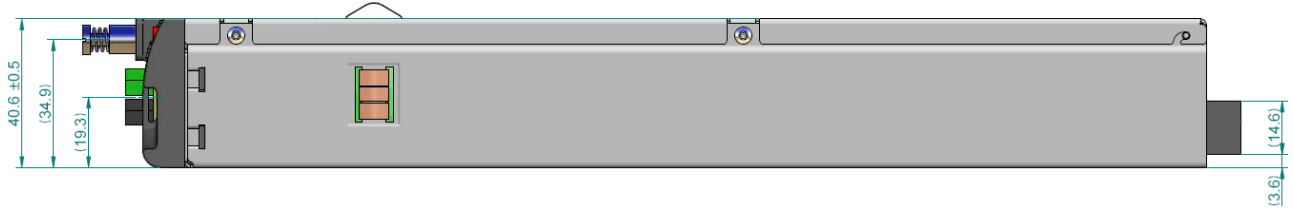
**REAR VIEW**



TOP VIEW



FND850-12DRG SIDE VIEW



**Connector Information**

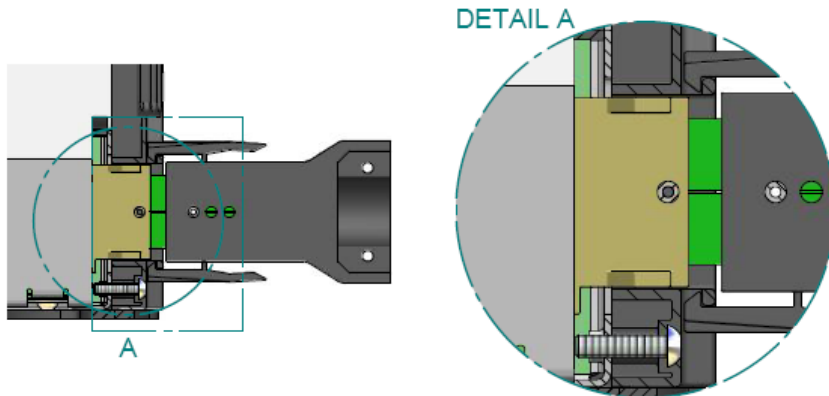
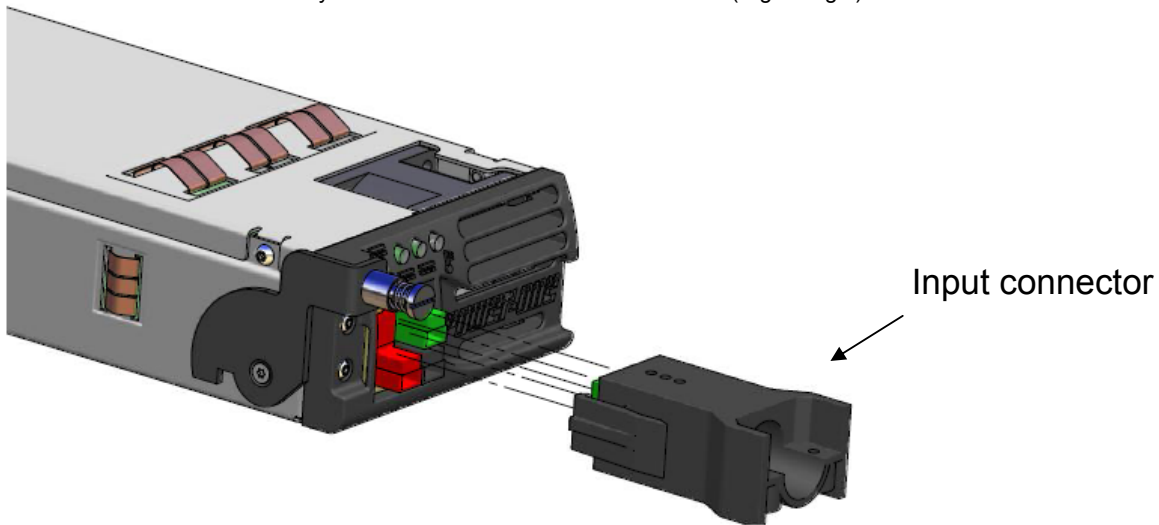
**Power Supply:**

Input - Anderson Power Products (APP): PP45 Powerpole Connector family  
Output – FCI Power Blade family connector: P/N 51732-020LF

**Mating Connections:**

Input – Anderson Power connector: PP45 Powerpole Connector family  
45A crimp contact AWG# 10/14 3x: P/N 261G2-LPBK  
Flexible Conduit Hardware Pak 1x: P/N 110G10  
Housing red 1x: P/N 1327  
Housing green 1x: P/N 1327G5  
Housing black 1x: P/N 1327G6  
Red long spacer 1x: P/N 1399G2

Output – FCI Power Blade family connector: P/N: 51742-10602000AALF (Backplane – straight pins)  
FCI Power Blade family connector: P/N: 51762-10602000AALF (Right Angle)

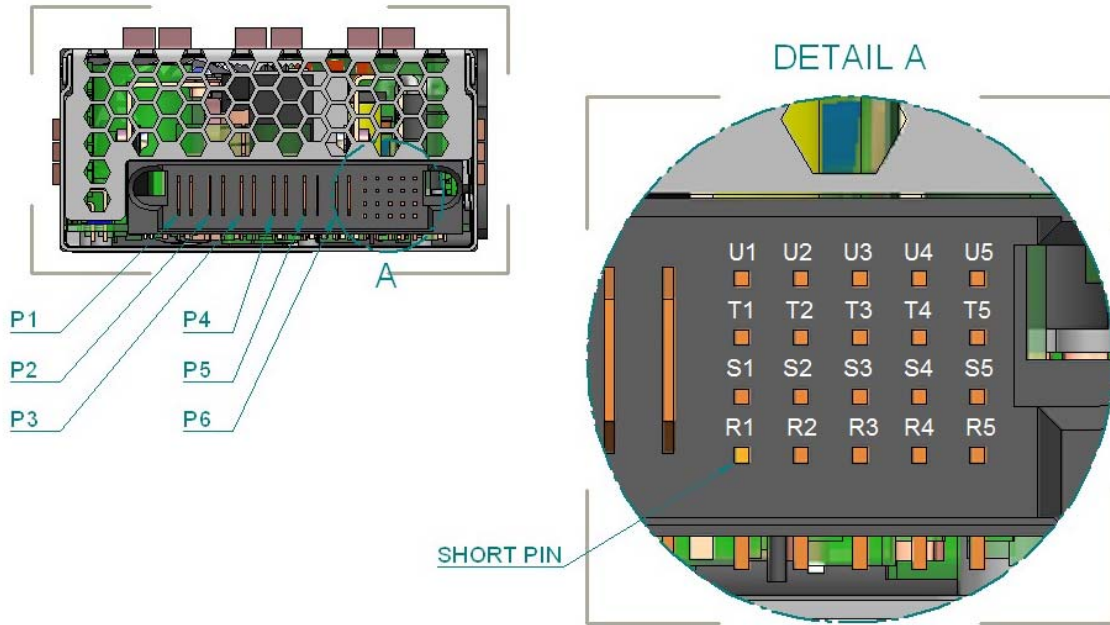






Input	Location
Chassis (Safety/EMI) Ground	Green
+ DC input voltage	Red
- DC input voltage	Black

**Output Connector Pin Assignments**



**FND850-12DRG Signal/Pin/Ground Reference Information**

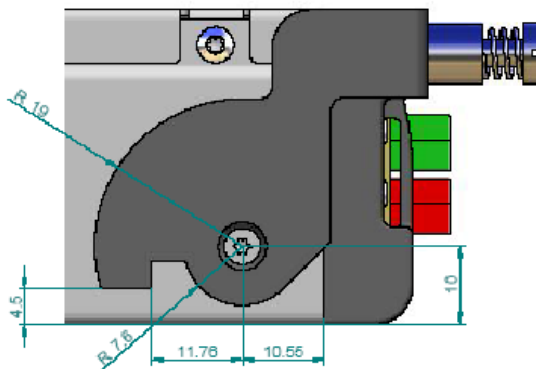
<b>Signal</b>	<b>Pin Location</b>	<b>Ground Reference</b>
		LRTN (Logic Return) 10R resistor is internally connected to Aux Ground SRTN (Signal Return) is internally connected with Vout-
OverTemperature / Fan Fail	U1	Logic Ground (LRTN)
DC Input Fail Warning	U2	Logic Ground (LRTN)
Power Supply Present	U3	Logic Ground (LRTN)
Output Voltage Fault	U4	Logic Ground (LRTN)
Internal Ground	U5	Internal Ground (SRTN)
ADDR0, I <sup>2</sup> C Address Bus	T1	Internal Ground (SRTN)
ADDR1, I <sup>2</sup> C Address Bus	T2	Internal Ground (SRTN)
ADDR2, I <sup>2</sup> C Address Bus	T3	Internal Ground (SRTN)
ADDR3, I <sup>2</sup> C Address Bus	T4	Internal Ground (SRTN)
ADDR4, I <sup>2</sup> C Address Bus	T5	Internal Ground (SRTN)
DATA, I <sup>2</sup> C Data Line	S1	Logic Ground (LRTN)
CLOCK, I <sup>2</sup> C Clock Line	S2	Logic Ground (LRTN)
Auxiliary Power +5V	S3	Aux Ground
Auxiliary Power Ground	S4	Aux Ground
Logic Ground	S5	Logic Ground (LRTN)
Output Enable <sup>1</sup>	R1	Logic Ground (LRTN)
Vsense+	R2	Vsense-
Vsense-	R3	Vsense-
Output Margin	R4	Internal Ground (SRTN)
Not Used	R5	
Vout+	P1, P2, P3	Vsense-
Vout-	P4, P5, P6	Vsense-

<sup>1</sup> Short pin length

**FND850-12DRG locking system**



**DETAIL B**



NUCLEAR AND MEDICAL APPLICATIONS - Power-One products are not designed, intended for use in, or authorized for use as critical components in life support systems, equipment used in hazardous environments, or nuclear control systems without the express written consent of the respective divisional president of Power-One, Inc.

TECHNICAL REVISIONS - The appearance of products, including safety agency certifications pictured on labels, may change depending on the date manufactured. Specifications are subject to change without notice.

Компания «Life Electronics» занимается поставками электронных компонентов импортного и отечественного производства от производителей и со складов крупных дистрибьюторов Европы, Америки и Азии.

С конца 2013 года компания активно расширяет линейку поставок компонентов по направлению коаксиальный кабель, кварцевые генераторы и конденсаторы (керамические, пленочные, электролитические), за счёт заключения дистрибьюторских договоров

Мы предлагаем:

- Конкурентоспособные цены и скидки постоянным клиентам.
- Специальные условия для постоянных клиентов.
- Подбор аналогов.
- Поставку компонентов в любых объемах, удовлетворяющих вашим потребностям.
- Приемлемые сроки поставки, возможна ускоренная поставка.
- Доставку товара в любую точку России и стран СНГ.
- Комплексную поставку.
- Работу по проектам и поставку образцов.
- Формирование склада под заказчика.
- Сертификаты соответствия на поставляемую продукцию (по желанию клиента).
- Тестирование поставляемой продукции.
- Поставку компонентов, требующих военную и космическую приемку.
- Входной контроль качества.
- Наличие сертификата ISO.

В составе нашей компании организован Конструкторский отдел, призванный помогать разработчикам, и инженерам.

Конструкторский отдел помогает осуществить:

- Регистрацию проекта у производителя компонентов.
- Техническую поддержку проекта.
- Защиту от снятия компонента с производства.
- Оценку стоимости проекта по компонентам.
- Изготовление тестовой платы монтаж и пусконаладочные работы.



Тел: +7 (812) 336 43 04 (многоканальный)

Email: [org@lifeelectronics.ru](mailto:org@lifeelectronics.ru)