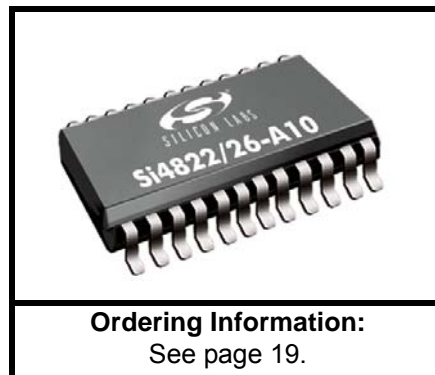


## BROADCAST ANALOG TUNING DIGITAL DISPLAY AM/FM/SW RADIO RECEIVER

### Features

- Worldwide FM band support (64–109 MHz)
  - Worldwide AM band support (504–1750 kHz)
  - SW band support (Si4826 only) (2.3–28.5 MHz)
  - Selectable support for all AM/FM/SW regional bands
  - 2-wire control interface
  - Mono output
  - Valid station indicator
  - Digital volume support
  - Bass/Treble support
  - Minimal BOM components with no manual alignment
  - Excellent real-world performance
  - Automatic frequency control (AFC)
  - Two AAA batteries with 2.0 to 3.6 V supply voltage (T = 25 °C)
  - Wide range of ferrite loop sticks and air loop antenna support
  - 24-pin SSOP package
  - RoHS compliant
  - Not EN55020 compliant \*
- \***Note:** For consumer applications that require EN 55020 compliance, use Si4840/44.



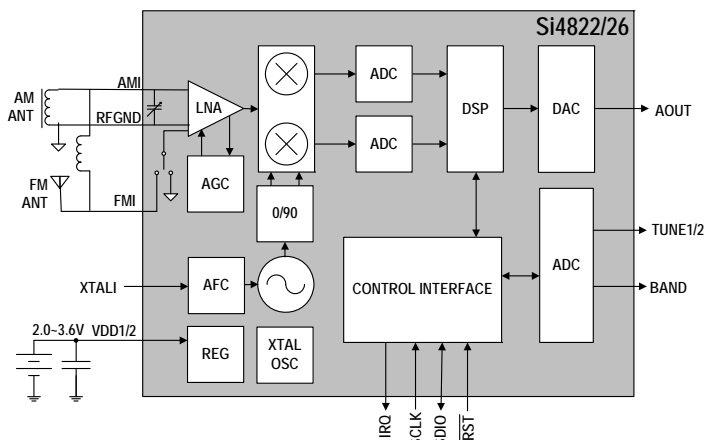
### Applications

- Table and portable radios
- Boom boxes
- Clock radios
- Modules for consumer electronics
- Toys, lamps, and any application needing an AM/FM radio

### Description

The Si4822/26 is the entry level analog-tuned digital-display digital CMOS AM/FM/SW radio receiver IC that integrates the complete receiver function from antenna input to audio output. Working with Host MCU (I<sup>2</sup>C-compatible 2-wire control interface), frequencies information can be displayed on LCD, while the analog-tune features are kept. Leveraging Silicon Laboratories' proven and patented digital low intermediate frequency (low-IF) receiver architecture, the Si4822/26 delivers superior RF performance and interference rejection. The superior control algorithm integrated in Si4822/26 provides easy and reliable control interface while eliminating all the manual tuned external components used in traditional solutions.

### Functional Block Diagram



### Pin Assignments

Si4822/26-A10 (SSOP)

|        |    |   |    |       |
|--------|----|---|----|-------|
| LNA_EN | 1  | ● | 24 | AOUT  |
| IRQ    | 2  |   | 23 | NC    |
| TUNE1  | 3  |   | 22 | DBYP  |
| TUNE2  | 4  |   | 21 | VDD2  |
| BAND   | 5  |   | 20 | VDD1  |
| NC     | 6  |   | 19 | XTALI |
| NC     | 7  |   | 18 | XTALO |
| FMI    | 8  |   | 17 | SCLK  |
| RFGND  | 9  |   | 16 | SDIO  |
| NC     | 10 |   | 15 | RST   |
| NC     | 11 |   | 14 | GND   |
| AMI    | 12 |   | 13 | GND   |

This product, its features, and/or its architecture is covered by one or more of the following patents, as well as other patents, pending and issued, both foreign and domestic: 7,127,217; 7,272,373; 7,272,375; 7,321,324; 7,355,476; 7,426,376; 7,471,940; 7,339,503; 7,339,504.



---

**TABLE OF CONTENTS**


---

| <b><u>Section</u></b>                           | <b><u>Page</u></b> |
|---|--------------------|
| <b>1. Electrical Specifications</b> .....       | <b>4</b>           |
| <b>2. Typical Application Schematic</b> .....   | <b>11</b>          |
| <b>3. Bill of Materials</b> .....               | <b>12</b>          |
| <b>4. Functional Description</b> .....          | <b>13</b>          |
| 4.1. Overview .....                             | 13                 |
| 4.2. FM Receiver .....                          | 14                 |
| 4.3. AM Receiver .....                          | 14                 |
| 4.4. SW Receiver .....                          | 14                 |
| 4.5. Frequency Tuning .....                     | 14                 |
| 4.6. Band Select .....                          | 14                 |
| 4.7. Bass and Treble .....                      | 15                 |
| 4.8. Volume Control .....                       | 15                 |
| 4.9. High Fidelity DAC .....                    | 15                 |
| 4.10. Soft Mute .....                           | 15                 |
| 4.11. Reference Clock .....                     | 15                 |
| 4.12. Memorizing Status .....                   | 15                 |
| 4.13. Programming with Commands .....           | 15                 |
| <b>5. Commands and Properties</b> .....         | <b>16</b>          |
| <b>6. Pin Descriptions</b> .....                | <b>18</b>          |
| 6.1. Si4822/26-A10 .....                        | 18                 |
| <b>7. Ordering Guide</b> .....                  | <b>19</b>          |
| <b>8. Package Outline: Si4822/26-A10</b> .....  | <b>20</b>          |
| <b>9. PCB Land Pattern: Si4822/26-A10</b> ..... | <b>21</b>          |
| <b>10. Top Markings</b> .....                   | <b>22</b>          |
| 10.1. Si4822/26-A10 Top Mark .....              | 22                 |
| <b>11. Additional Reference Resources</b> ..... | <b>23</b>          |
| <b>Contact Information</b> .....                | <b>24</b>          |

# Si4822/26-A10

## 1. Electrical Specifications

Table 1. Recommended Operating Conditions<sup>1,2</sup>

| Parameter                      | Symbol       | Test Condition | Min | Typ | Max | Unit    |
|--------------------------------|--------------|----------------|-----|-----|-----|---------|
| Supply Voltage <sup>3</sup>    | $V_{DD}$     |                | 2.0 | —   | 3.6 | V       |
| Power Supply Powerup Rise Time | $V_{DDRISE}$ |                | 10  | —   | —   | $\mu$ s |

**Notes:**

1. Typical values in the data sheet apply at  $V_{DD} = 3.3$  V and 25 °C unless otherwise stated.
2. All minimum and maximum specifications in the data sheet apply across the recommended operating conditions for minimum  $V_{DD} = 2.7$  V.
3. Operation at minimum  $V_{DD}$  is guaranteed by characterization when  $V_{DD}$  voltage is ramped down to 2.0 V. Part initialization may become unresponsive below 2.3 V.

Table 2. DC Characteristics

( $V_{DD} = 2.7$  to 3.6 V,  $T_A = 0$  to 70 °C)

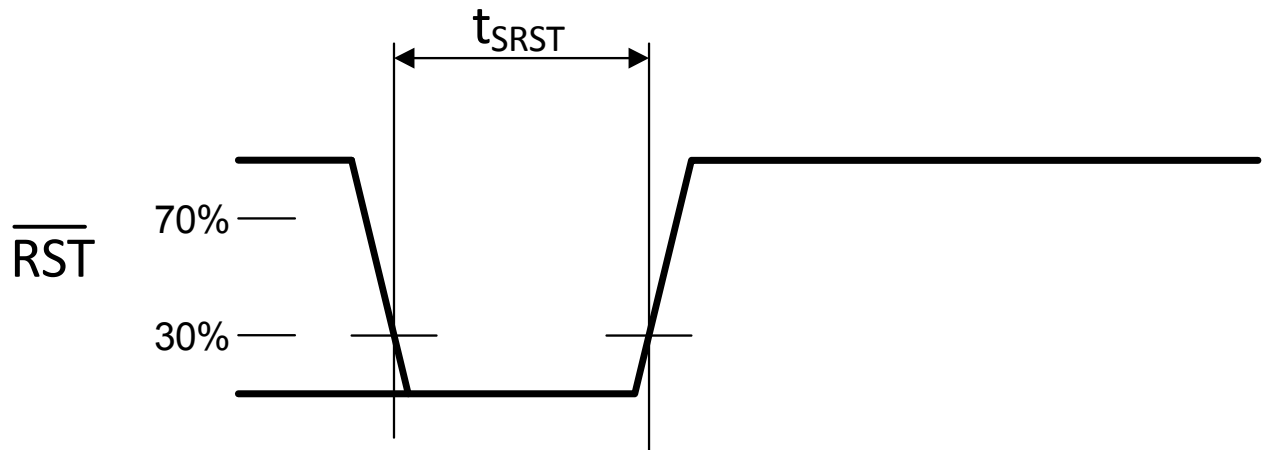
| Parameter                     | Symbol     | Test Condition | Min | Typ  | Max | Unit    |
|-------------------------------|------------|----------------|-----|------|-----|---------|
| <b>FM Mode</b>                |            |                |     |      |     |         |
| Supply Current <sup>1</sup>   | $I_{FM}$   |                | —   | 21.0 | —   | mA      |
| Supply Current <sup>2</sup>   | $I_{FM}$   | Low SNR level  | —   | 21.5 | —   | mA      |
| <b>AM/SW Mode</b>             |            |                |     |      |     |         |
| Supply Current <sup>1</sup>   | $I_{AM}$   |                | —   | 17.0 | —   | mA      |
| <b>Supplies and Interface</b> |            |                |     |      |     |         |
| $V_{DD}$ Powerdown Current    | $I_{DDPD}$ |                | —   | 10   | —   | $\mu$ A |

**Notes:**

1. Specifications are guaranteed by characterization.
2. LNA is automatically switched to higher current mode for optimum sensitivity in weak signal conditions.

**Table 3. Reset Timing Characteristics** $(V_{DD} = 2.7 \text{ to } 3.6 \text{ V, } T_A = 0 \text{ to } 70 \text{ }^\circ\text{C})$ 

| Parameter                           | Symbol            | Min | Typ | Max | Unit          |
|-------------------------------------|-------------------|-----|-----|-----|---------------|
| $\overline{\text{RST}}$ Pulse Width | $t_{\text{SRST}}$ | 100 | —   | —   | $\mu\text{s}$ |

**Figure 1. Reset Timing**

# Si4822/26-A10

**Table 4. 2-Wire Control Interface Characteristics<sup>1,2,3</sup>**

(V<sub>DD</sub> = 2.7 to 3.6 V, T<sub>A</sub> = 0 to 70 °C)

| Parameter                                | Symbol                                 | Test Condition | Min                               | Typ | Max | Unit |
|--|--|----------------|-----------------------------------|-----|-----|------|
| SCLK Frequency                           | f <sub>SCLK</sub>                      |                | 0                                 | —   | 400 | kHz  |
| SCLK Low Time                            | t <sub>LOW</sub>                       |                | 1.3                               | —   | —   | μs   |
| SCLK High Time                           | t <sub>HIGH</sub>                      |                | 0.6                               | —   | —   | μs   |
| SCLK Input to SDIO ↓ Setup (START)       | t <sub>SU:STA</sub>                    |                | 0.6                               | —   | —   | μs   |
| SCLK Input to SDIO ↓ Hold (START)        | t <sub>HD:STA</sub>                    |                | 0.6                               | —   | —   | μs   |
| SDIO Input to SCLK ↑ Setup               | t <sub>SU:DAT</sub>                    |                | 100                               | —   | —   | ns   |
| SDIO Input to SCLK ↓ Hold <sup>4,5</sup> | t <sub>HD:DAT</sub>                    |                | 0                                 | —   | 900 | ns   |
| SCLK input to SDIO ↑ Setup (STOP)        | t <sub>SU:STO</sub>                    |                | 0.6                               | —   | —   | μs   |
| STOP to START Time                       | t <sub>BUF</sub>                       |                | 1.3                               | —   | —   | μs   |
| SDIO Output Fall Time                    | t <sub>f:OUT</sub>                     |                | $20 + 0.1 \frac{C_b}{1\text{pF}}$ | —   | 250 | ns   |
| SDIO Input, SCLK Rise/Fall Time          | t <sub>f:IN</sub><br>t <sub>r:IN</sub> |                | $20 + 0.1 \frac{C_b}{1\text{pF}}$ | —   | 300 | ns   |
| SCLK, SDIO Capacitive Loading            | C <sub>b</sub>                         |                | —                                 | —   | 50  | pF   |
| Input Filter Pulse Suppression           | t <sub>SP</sub>                        |                | —                                 | —   | 50  | ns   |

**Notes:**

1. When V<sub>D</sub> = 0 V, SCLK and SDIO are low impedance.
2. When selecting 2-wire mode, the user must ensure that a 2-wire start condition (falling edge of SDIO while SCLK is high) does not occur within 300 ns before the rising edge of  $\overline{\text{RST}}$ .
3. When selecting 2-wire mode, the user must ensure that SCLK is high during the rising edge of  $\overline{\text{RST}}$ , and stays high until after the first start condition.
4. The Si4822/26 delays SDIO by a minimum of 300 ns from the V<sub>IH</sub> threshold of SCLK to comply with the minimum t<sub>HD:DAT</sub> specification.
5. The maximum t<sub>HD:DAT</sub> has only to be met when f<sub>SCLK</sub> = 400 kHz. At frequencies below 400 kHz, t<sub>HD:DAT</sub> may be violated as long as all other timing parameters are met.

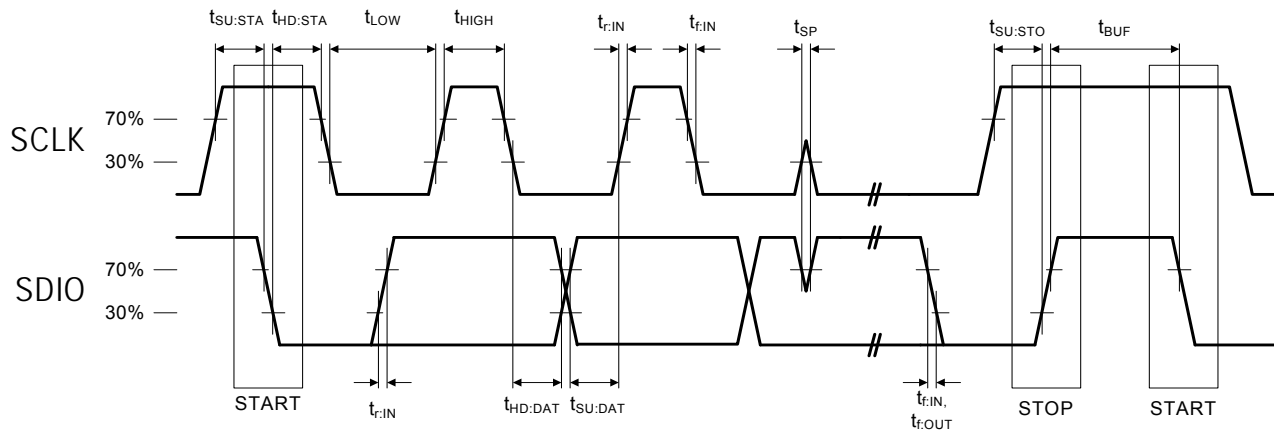


Figure 2. 2-Wire Control Interface Read and Write Timing Parameters

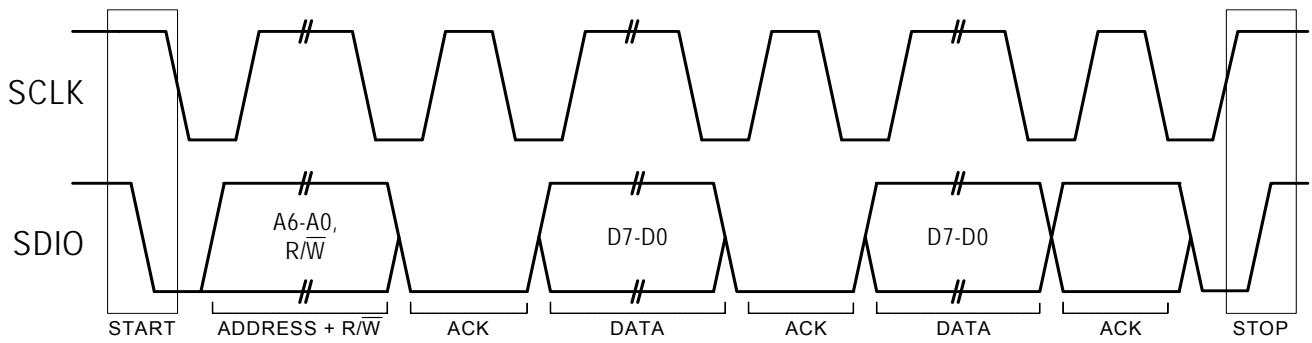


Figure 3. 2-Wire Control Interface Read and Write Timing Diagram

# Si4822/26-A10

**Table 5. FM Receiver Characteristics<sup>1,2</sup>**

( $V_{DD}$  = 2.7 to 3.6 V,  $T_A$  = 0 to 70 °C)

| Parameter                                       | Symbol   | Test Condition  | Min | Typ | Max | Unit              |
|---|----------|-----------------|-----|-----|-----|-------------------|
| Input Frequency                                 | $f_{RF}$ |                 | 64  | —   | 109 | MHz               |
| Sensitivity with Headphone Network <sup>3</sup> |          | (S+N)/N = 26 dB | —   | 4.0 | —   | $\mu$ V EMF       |
| LNA Input Resistance <sup>4,5</sup>             |          |                 | —   | 4   | —   | k $\Omega$        |
| LNA Input Capacitance <sup>4,5</sup>            |          |                 | —   | 5   | —   | pF                |
| AM Suppression <sup>4,5,6,7</sup>               |          | m = 0.3         | —   | 50  | —   | dB                |
| Input IP <sub>3</sub> <sup>4,8</sup>            |          |                 | —   | 105 | —   | dB $\mu$ V EMF    |
| Adjacent Channel Selectivity <sup>4</sup>       |          | $\pm$ 200 kHz   | —   | 45  | —   | dB                |
| Alternate Channel Selectivity <sup>4</sup>      |          | $\pm$ 400 kHz   | —   | 60  | —   | dB                |
| Audio Output Voltage <sup>5,6,7,12</sup>        |          |                 | —   | 72  | —   | mV <sub>RMS</sub> |
| Audio Mono S/N <sup>5,6,7,9,10</sup>            |          |                 | —   | 45  | —   | dB                |
| Audio Frequency Response Low <sup>4</sup>       |          | -3 dB           | —   | —   | 30  | Hz                |
| Audio Frequency Response High <sup>4</sup>      |          | -3 dB           | 15  | —   | —   | kHz               |
| Audio THD <sup>5,6,11</sup>                     |          |                 | —   | 0.1 | 0.5 | %                 |
| Audio Output Load Resistance <sup>4,10</sup>    | $R_L$    | Single-ended    | 10  | —   | —   | k $\Omega$        |
| Audio Output Load Capacitance <sup>4,10</sup>   | $C_L$    | Single-ended    | —   | —   | 50  | pF                |
| Powerup/Band Switch Time <sup>4</sup>           |          |                 | —   | —   | 110 | ms                |

**Notes:**

1. Additional testing information is available in "AN603: Si4822/26/40/44 DEMO Board Test Procedure." Volume = maximum for all tests. Tested at RF = 98.1 MHz.
2. To ensure proper operation and receiver performance, follow the guidelines in "AN602: Si4822/26/40/44 Antenna, Schematic, Layout, and Design Guidelines." Silicon Laboratories will evaluate schematics and layouts for qualified customers.
3. Frequency is 64~109 MHz.
4. Guaranteed by characterization.
5.  $V_{EMF}$  = 1 mV.
6.  $F_{MOD}$  = 1 kHz, MONO, and L = R unless noted otherwise.
7.  $\Delta f$  = 22.5 kHz.
8.  $|f_2 - f_1| > 2$  MHz,  $f_0 = 2 \times f_1 - f_2$ .
9.  $B_{AF}$  = 300 Hz to 15 kHz, A-weighted.
10. At  $A_{OUT}$  pin.
11.  $\Delta f$  = 75 kHz.
12. Tested in Digital Volume Mode.



**Table 6. AM/SW Receiver Characteristics<sup>1, 2</sup>**(V<sub>DD</sub> = 2.7 to 3.6 V, T<sub>A</sub> = 0 to 70 °C)

| Parameter                                  | Symbol          | Test Condition                                    | Min | Typ | Max  | Unit              |
|--|-----------------|---|-----|-----|------|-------------------|
| Input Frequency                            | f <sub>RF</sub> | Medium Wave (AM)                                  | 504 | —   | 1750 | kHz               |
|  |                 | Short Wave (SW)                                   | 2.3 | —   | 28.5 | MHz               |
| Sensitivity <sup>3,4,5</sup>               |                 | (S+N)/N = 26 dB                                   | —   | 30  | —    | μV EMF            |
| Large Signal Voltage Handling <sup>5</sup> |                 | THD < 8%  | —   | 300 | —    | mV <sub>RMS</sub> |
| Power Supply Rejection Ratio <sup>5</sup>  |                 | ΔV <sub>DD</sub> = 100 mV <sub>RMS</sub> , 100 Hz | —   | 40  | —    | dB                |
| Audio Output Voltage <sup>3,6,8</sup>      |                 |   | —   | 54  | —    | mV <sub>RMS</sub> |
| Audio S/N <sup>3,4,6</sup>                 |                 |   | —   | 45  | —    | dB                |
| Audio THD <sup>3,6</sup>                   |                 |   | —   | 0.1 | —    | %                 |
| Antenna Inductance <sup>5,7</sup>          |                 |   | 180 | —   | 450  | μH                |
| Powerup/Band Switch Time <sup>5</sup>      |                 | From powerdown                                    | —   | —   | 110  | ms                |

**Notes:**

- Additional testing information is available in “AN603: Si4822/26/40/44 DEMO Board Test Procedure.” Volume = maximum for all tests. Tested at RF = 520 kHz.
- To ensure proper operation and receiver performance, follow the guidelines in “AN602: Si4822/26/40/44 Antenna, Schematic, Layout, and Design Guidelines.” Silicon Laboratories will evaluate schematics and layouts for qualified customers.
- FMOD = 1 kHz, 30% modulation, 2 kHz channel filter.
- B<sub>AF</sub> = 300 Hz to 15 kHz, A-weighted.
- Guaranteed by characterization.
- V<sub>IN</sub> = 5 mVrms.
- Stray capacitance on antenna and board must be < 10 pF to achieve full tuning range at higher inductance levels.
- Tested in Digital Volume Mode.

**Table 7. Reference Clock and Crystal Characteristics**(V<sub>DD</sub> = 2.7 to 3.6 V, T<sub>A</sub> = 0 to 70 °C)

| Parameter                                     | Symbol | Test Condition | Min  | Typ    | Max | Unit |
|---|--------|----------------|------|--------|-----|------|
| <b>Reference Clock</b>                        |        |                |      |        |     |      |
| XTALI Supported Reference Clock Frequencies   |        |                | —    | 32.768 | —   | kHz  |
| Reference Clock Frequency Tolerance for XTALI |        |                | -100 | —      | 100 | ppm  |
| <b>Crystal Oscillator</b>                     |        |                |      |        |     |      |
| Crystal Oscillator Frequency                  |        |                | —    | 32.768 | —   | kHz  |
| Crystal Frequency Tolerance                   |        |                | -100 | —      | 100 | ppm  |
| Board Capacitance                             |        |                | —    | —      | 3.5 | pF   |

**Table 8. Thermal Conditions**

| Parameter            | Symbol        | Min | Typ | Max | Unit |
|----------------------|---------------|-----|-----|-----|------|
| Thermal Resistance*  | $\theta_{JA}$ | —   | 80  | —   | °C/W |
| Ambient Temperature  | $T_A$         | 0   | 25  | 70  | °C   |
| Junction Temperature | $T_J$         | —   | —   | 77  | °C   |

**\*Note:** Thermal resistance assumes a multi-layer PCB with the exposed pad soldered to a topside PCB pad.

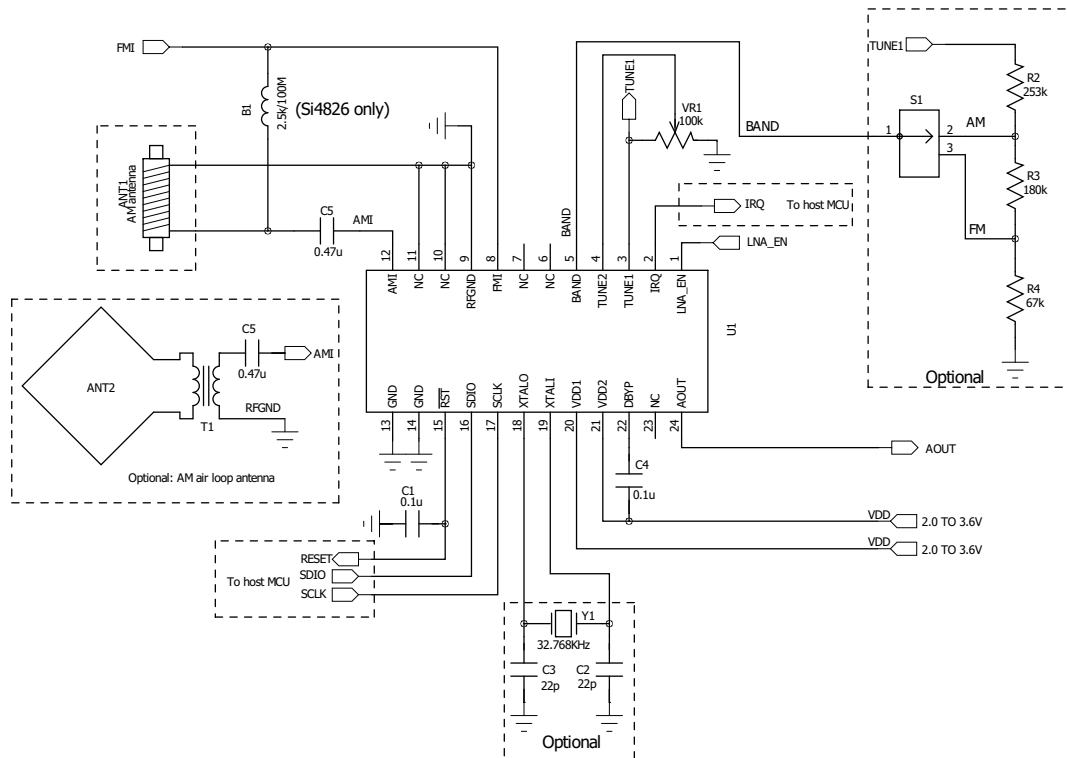
**Table 9. Absolute Maximum Ratings<sup>1,2</sup>**

| Parameter                   | Symbol    | Value       | Unit     |
|-----------------------------|-----------|-------------|----------|
| Supply Voltage              | $V_{DD}$  | -0.5 to 5.8 | V        |
| Input Current <sup>3</sup>  | $I_{IN}$  | 10          | mA       |
| Operating Temperature       | $T_{OP}$  | -40 to 95   | °C       |
| Storage Temperature         | $T_{STG}$ | -55 to 150  | °C       |
| RF Input Level <sup>4</sup> |           | 0.4         | $V_{PK}$ |

**Notes:**

1. Permanent device damage may occur if the above Absolute Maximum Ratings are exceeded. Functional operation should be restricted to the conditions as specified in the operational sections of this data sheet. Exposure beyond recommended operating conditions for extended periods may affect device reliability.
2. The Si4822/26-A10 devices are high-performance RF integrated circuits with certain pins having an ESD rating of < 2 kV HBM. Handling and assembly of these devices should only be done at ESD-protected workstations.
3. For input pins RST, SDIO, SCLK, XTALO, XTALI, BAND, TUNE2, TUNE1, IRQ, and LNA\_EN.
4. At RF input pins, FMI, and AMI.

## 2. Typical Application Schematic



### Notes:

- Place C4 close to VDD2 and DBYP pins.
- All grounds connect directly to GND plane on PCB.
- Pin 6, Pin 7, and Pin 23 leave floating.
- To ensure proper operation and receiver performance, follow the guidelines in "AN602: Si4822/26/40/44 Antenna, Schematic, Layout, and Design Guidelines." Silicon Labs will evaluate the schematics and layouts for qualified customers.
- Pin 8 connects to the FM antenna interface and pin 12 connects to the AM antenna interface.
- Place Si4822/26 as close as possible to antenna jack and keep the FMI and AMI traces as short as possible.
- Recommend keeping the AM ferrite loop antenna at least 5 cm away from the Si4822/26.
- Keep the AM ferrite loop antenna at least 5 cm away from MCU, audio amplifier, and other circuits which have AM interference.
- Place the transformer T1 away from any sources of interference and even away from the I/O signals of the Si4822/26.

## 3. Bill of Materials

**Table 10. Si4822/26-A10 Bill of Materials**

| Component(s)               | Value/Description  | Supplier                 |
|----------------------------|--|--------------------------|
| C1                         | Reset capacitor 0.1 $\mu$ F, $\pm$ 20%, Z5U/X7R  | Murata                   |
| C4                         | Supply bypass capacitor, 0.1 $\mu$ F, $\pm$ 20%, Z5U/X7R                                   | Murata                   |
| C5                         | Coupling capacitor, 0.47 $\mu$ F, $\pm$ 20%, Z5U/X7R                                       | Murata                   |
| B1                         | Ferrite bead 2.5 k/100 MHz   | Murata                   |
| VR1                        | Variable resistor (POT), 100 k, $\pm$ 10%  | Kennon                   |
| U1                         | Si4822/26 AM/FM/SW Analog Tune Digital Display Radio Tuner                                 | Silicon Laboratories     |
| ANT1                       | Ferrite stick, 180–450 $\mu$ H   | Jiaxin                   |
| <b>Optional Components</b> |  |                          |
| C2, C3                     | Crystal load capacitors, 22 pF, $\pm$ 5%, COG<br>(Optional: for crystal oscillator option) | Venkel                   |
| Y1                         | 32.768 kHz crystal (Optional: for crystal oscillator option)                               | Epson or equivalent      |
| ANT2                       | Air loop antenna, 10–20 $\mu$ H  | Various                  |
| S1                         | Band switch  | Any, depends on customer |
| R2                         | Resistor, 253 k, $\pm$ 1%,   | Venkel                   |
| R3                         | Resistor, 180 k, $\pm$ 1%  | Venkel                   |
| R4                         | Resistor, 67 k, $\pm$ 1%   | Venkel                   |

## 4. Functional Description

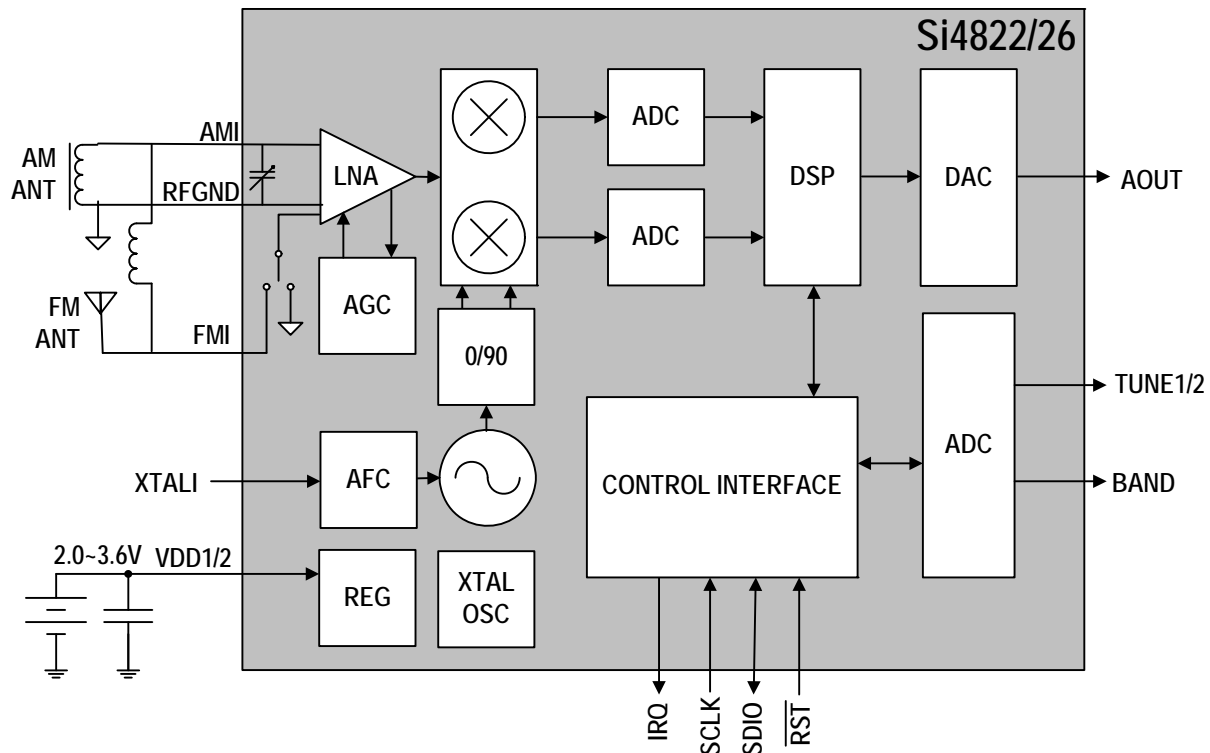


Figure 4. Si4822/26-A10 Functional Block Diagram

### 4.1. Overview

The Si4822/26-A10 is the entry level analog-tuned digital-display digital CMOS AM/FM/SW radio receiver IC that integrates the complete receiver function from antenna input to audio output. Working with an external MCU with LCD/LED driver, Si4822/26 can output the AM/FM/SW frequencies and band and volume information to display on LCD/LED, while using a simple potentiometer at the front end for analog-tune. Leveraging Silicon Laboratories' proven and patented digital low intermediate frequency (low-IF) receiver architecture, the Si4822/26 delivers superior RF performance and interference rejection in AM, FM and SW bands. Additionally, the digital core provides advanced audio conditioning for all environments, removing pops, clicks, and loud static in variable signal conditions. The superior control algorithm integrated in Si4822/26 provides easy and reliable control interface while eliminating all the manual tuned external components used in traditional solutions.

Like other successful audio products from Silicon Labs, Si4822/26 offers unmatched integration and PCB space savings with minimum external components and a small board area on a single side PCB. The high integration and complete system production test simplifies design-in, increases system quality, and improves manufacturability. The receiver has very low power consumption, runs off two AAA batteries, and delivers the performance benefits of high performance digital radio experience with digital display to the legacy analog-tuned radio market.

The Si4822/26 provides good flexibility in using the chip. The frequency range of FM/AM/SW bands, de-emphasis value, AM tuning step, and AM soft mute level/rate can be either configured by the MCU or by using external hardware to make a selection. The reference clock of the FM tuner can be provided by either the crystal or by the host MCU within tolerance.

The Si4822/26 also has flexibility in selecting bands and configuring band properties, enabling masked Host MCU for multiple projects, and reducing the cost of development. Four tuning preferences are available to meet different tuning preference requirements.

## 4.2. FM Receiver

The Si4822/26-A10 integrates a low noise amplifier (LNA) supporting the worldwide FM broadcast band (64 to 109 MHz).

Pre-emphasis and de-emphasis is a technique used by FM broadcasters to improve the signal-to-noise ratio of FM receivers by reducing the effects of high frequency interference and noise. When the FM signal is transmitted, a pre-emphasis filter is applied to accentuate the high audio frequencies. All FM receivers incorporate a de-emphasis filter which attenuates high frequencies to restore a flat frequency response. Two time constants are used in various regions. The de-emphasis time constant can be chosen to be 50 or 75  $\mu$ s. Refer to "AN602: Si4822/26/40/44 Antenna, Schematic, Layout, and Design Guidelines."

## 4.3. AM Receiver

The highly integrated Si4822/26-A10 supports worldwide AM band reception from 504 to 1750 kHz with five sub-bands using a digital low-IF architecture with a minimum number of external components and no manual alignment required. This patented architecture allows for high-precision filtering, offering excellent selectivity and SNR with minimum variation across the AM band. Similar to the FM receiver, the Si4822/26-A10 optimizes sensitivity and rejection of strong interferers, allowing better reception of weak stations.

To offer maximum flexibility, the receiver supports a wide range of ferrite loop sticks from 180–450  $\mu$ H. An air loop antenna is supported by using a transformer to increase the effective inductance from the air loop. Using a 1:5 turn ratio inductor, the inductance is increased by 25 times and easily supports all typical AM air loop antennas, which generally vary between 10 and 20  $\mu$ H.

A 9, 10 kHz tuning step can be chosen by the external resistor or host MCU according to the different regions, and AM soft mute level can be programmed by the host MCU to have different tuning experiences. Refer to "AN610: Si4822/26/40/44 Programming Guide" and "AN602: Si4822/26/40/44 Antenna, Schematic, Layout, and Design Guidelines" for more details.

## 4.4. SW Receiver

The Si4826 supports short wave band receptions from 2.3 to 28.5 MHz in 5 kHz step size increments. Si4826 supports extensive short wave features such as minimal discrete components and no factory adjustments. The Si4826 supports using the FM antenna to capture short wave signals. Refer to "AN610: Si4822/26/40/44 Programming Guide" and "AN602: Si4822/26/40/44 Antenna, Schematic, Layout, and Design Guidelines" for more details.

## 4.5. Frequency Tuning

A valid channel can be found by tuning the potentiometer that is connected to the TUNE1 and TUNE2 pin of the Si4822/26-A10 chip.

To offer easy tuning, the Si4822/26-A10 also outputs the tuned information to the MCU with LCD/LED driver to display. It will light up the icon on display if the RF signal quality passes a certain threshold when tuned to a valid station. Refer to "AN610: Si4822/26/40/44 Programming Guide" for more details.

## 4.6. Band Select

The Si4822/26-A10 supports worldwide AM band with five sub-bands, US/Europe/Japan/China FM band with five sub-bands, and SW band with 16 sub-bands. Si4822/26-A10 provides the flexibility to configure the band and band properties at either the MCU side or the tuner side, enabling masked MCU for multiple projects. For details on band selection, refer to "AN602: Si4822/26/40/44 Antenna, Schematic, Layout, and Design Guidelines" and "AN610: Si4822/26/40/44 Programming Guide".

## 4.7. Bass and Treble

The Si4822/26-A10 further supports Bass/Treble tone control for superior sound quality. The Si4822/26-A10 can be set to be default normal, or programmed by the host MCU I<sup>2</sup>C-compatible 2-wire mode. FM has nine levels Bass/Treble effect and AM/SW has seven levels Bass/Treble effect. For further configuration details, refer to "AN610: Si4822/26/40/44 Programming Guide".

## 4.8. Volume Control

The Si4822/26-A10 not only allows users to use the traditional PVR wheel volume control through an external speaker amplifier, it also supports digital volume control programmed by the host MCU. Si4822/26-A10 can be programmed to be Bass/Treble mode only or digital volume mode only; it can also be programmed to have the digital volume coexist with Bass/Treble in two modes. Refer to "AN610: Si4822/26/40/44 Programming Guide" and "AN602: Si4822/26/40/44 Antenna, Schematic, Layout, and Design Guidelines" for more details.

## 4.9. High Fidelity DAC

High-fidelity digital-to-analog converters (DACs) drive analog audio signals onto the AOUT pin. The audio output may be muted.

## 4.10. Soft Mute

The soft mute feature is available to attenuate the audio outputs and minimize audible noise in very weak signal conditions. Advanced algorithm is implemented to get a better analog tuning experience. The soft mute feature is triggered by the SNR metric. The SNR threshold for activating soft mute is programmable, as are soft mute attenuation levels and attack and decay rates.

## 4.11. Reference Clock

The Si4822/26-A10 supports RCLK input (to XTALI pin) with the spec listed in Table 7. It can be shared with the host MCU to save extra crystal.

An onboard crystal oscillator is available to generate the 32.768 kHz reference when an external crystal and load capacitors are provided. Refer to "AN602: Si4822/26/40/44 Antenna, Schematic, Layout, and Design Guidelines" for more details.

## 4.12. Memorizing Status

The Si4822/26-A10 provides the feature to memorize status from the last power down with a simple design on PCB, including frequency of the FM/AM/SW station. Refer to "AN602: Si4822/26/40/44 Antenna, Schematic, Layout, and Design Guidelines" for details.

## 4.13. Programming with Commands

To ease development time and offer maximum customization, the Si4822/26 provides a simple yet powerful software interface to program the receiver. The device is programmed using commands, arguments, properties, and responses.

To perform an action, the user writes a command byte and associated arguments, causing the chip to execute the given command. Commands control an action such as powerup the device, shut down the device, or get the current tuned frequency. Arguments are specific to a given command and are used to modify the command.

Properties are a special command argument used to modify the default chip operation and are generally configured immediately after powerup. Examples of properties are de-emphasis level and soft mute attenuation threshold.

Responses provide the user information and are echoed after a command and associated arguments are issued. All commands provide a 1-byte status update, indicating interrupt and clear-to-send status information.

For a detailed description of the commands and properties for the Si4822/26, see "AN610: Si4822/26/40/44 Programming Guide".

## 5. Commands and Properties

Table 11. Si4822/26-A10 FM Receiver Command Summary

| Cmd  | Name            | Description   |
|------|-----------------|---|
| 0xE0 | ATDD_GET_STATUS | Get tune freq, band and etc status of the device          |
| 0xE1 | ATDD_POWER_UP   | Power up device, band selection and band properties setup |
| 0xE2 | ATDD_AUDIO_MODE | Audio output mode: get/set audio mode and settings        |
| 0x10 | GET_REV         | Returns the revision information of the device.           |
| 0x11 | POWER_DOWN      | Power down device.  |
| 0x12 | SET_PROPERTY    | Sets the value of a property.                             |
| 0x13 | GET_PROPERTY    | Retrieve a property's value.                              |

**Note:** The Si4822/26 has its own power up and get status commands which is different from previous si47xx tuner parts. To differentiate, we use "ATDD\_POWER\_UP" and ATDD\_GET\_STATUS to denote the ATDD specific commands instead of the general si47xx "POWER\_UP" and "STATUS" commands

Table 12. Si4822/26-A10 FM Receiver Property Summary

| Prop   | Name                         | Description   | Default |
|--------|------------------------------|---|---------|
| 0x1100 | FM_DEEMPHASIS                | Sets deemphasis time constant. Default is 75 $\mu$ s.   | 0x0002  |
| 0x1300 | FM_SOFT_MUTE_RATE            | Sets the attack and decay rates when entering and leaving soft mute.  | 0x0040  |
| 0x1301 | FM_SOFT_MUTE_SLOPE           | Configures attenuation slope during soft mute in dB attenuation per dB SNR below the soft mute SNR threshold. Default value is 2. | 0x0002  |
| 0x1302 | FM_SOFT_MUTE_MAX_ATTENUATION | Sets maximum attenuation during soft mute (dB). Set to 0 to disable soft mute. Default is 16 dB.                                  | 0x0010  |
| 0x1303 | FM_SOFT_MUTE_SNR_THRESHOLD   | Sets SNR threshold to engage soft mute. Default is 4 dB.  | 0x0004  |
| 0x4000 | RX_VOLUME                    | Sets the output volume.   | 0x003F  |
| 0x4001 | RX_HARD_MUTE                 | Mutes the audio output.   | 0x0000  |
| 0x4002 | RX_BASS_TREBLE               | Sets the output bass/treble level   | 0x0004  |
| 0x4003 | RX_ACTUAL_VOLUME             | Read the actual output volume   | 0x003F  |



Table 13. Si4822/26-A10 AM/SW Receiver Command Summary

| Cmd  | Name            | Description   |
|------|-----------------|---|
| 0xE0 | ATDD_GET_STATUS | Get tune freq, band and etc status of the device          |
| 0xE1 | ATDD_POWER_UP   | Power up device, band selection and band properties setup |
| 0xE2 | ATDD_AUDIO_MODE | Audio output mode: get/set audio mode settings.           |
| 0x10 | GET_REV         | Returns the revision information of the device.           |
| 0x11 | POWER_DOWN      | Power down device.  |
| 0x12 | SET_PROPERTY    | Sets the value of a property.                             |
| 0x13 | GET_PROPERTY    | Retrieve a property's value.                              |

**Note:** The Si4822/26 has its own power up and get status commands which is different from previous si47xx tuner parts. To differentiate, we use "ATDD\_POWER\_UP" and ATDD\_GET\_STATUS to denote the ATDD specific commands instead of the general Si47xx "POWER\_UP" and "STATUS" commands.

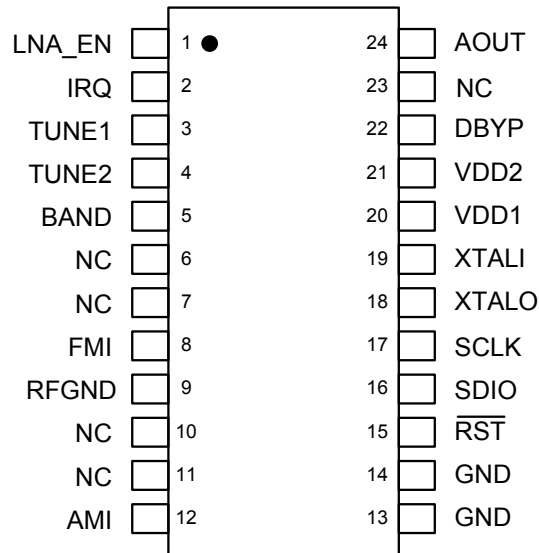
Table 14. Si4822/26-A10 AM/SW Receiver Property Summary

| Prop   | Name                         | Description   | Default |
|--------|------------------------------|---|---------|
| 0x4000 | RX_VOLUME                    | Sets the output volume.   | 0x003F  |
| 0x4001 | RX_HARD_MUTE                 | Mutes the audio output.   | 0x0000  |
| 0x4002 | RX_BASS_TREBLE               | Sets the output bass/treble level   | 0x0003  |
| 0x4003 | RX_ACTUAL_VOLUME             | Read the actual output volume   | 0x003F  |
| 0x3300 | AM_SOFT_MUTE_RATE            | Sets the attack and decay rates when entering and leaving soft mute.  | 0x0040  |
| 0x3301 | AM_SOFT_MUTE_SLOPE           | Configures attenuation slope during soft mute in dB attenuation per dB SNR below the soft mute SNR threshold. | 0x0002  |
| 0x3302 | AM_SOFT_MUTE_MAX_ATTENUATION | Sets maximum attenuation during soft mute (dB). Set to 0 to disable soft mute.                                | 0x0010  |
| 0x3303 | AM_SOFT_MUTE_SNR_THRESHOLD   | Sets SNR threshold to engage soft mute.   | 0x0008  |

# Si4822/26-A10

## 6. Pin Descriptions

### 6.1. Si4822/26-A10



| Pin Number(s) | Name   | Description   |
|---------------|--------|---|
| 1             | LNA_EN | Enabling SW external LNA for Si4826                         |
| 2             | IRQ    | Interrupt Request   |
| 3             | TUNE1  | Frequency tuning  |
| 4             | TUNE2  | Frequency tuning  |
| 5             | BAND   | Band selection and de-emphasis selection                    |
| 6,7           | NC     | No connect. Leave floating.                                 |
| 8             | FMI    | FM RF inputs. FMI should be connected to the antenna trace. |
| 9             | RFGND  | RF ground. Connect to ground plane on PCB.                  |
| 10, 11        | NC     | Unused. Tie these pins to GND.                              |
| 12            | AMI    | AM RF input. AMI should be connected to the AM antenna.     |
| 13, 14        | GND    | Ground. Connect to ground plane on PCB.                     |
| 15            | /RST   | Device reset (active low) input                             |
| 16            | SDIO   | Serial data input/output                                    |
| 17            | SCLK   | Serial clock input  |
| 18            | XTALO  | Crystal oscillator output                                   |
| 19            | XTALI  | Crystal oscillator input                                    |
| 20            | VDD1   | Supply voltage. May be connected directly to battery.       |
| 21            | VDD2   | Supply voltage. May be connected directly to battery.       |
| 22            | DBYP   | Dedicated bypass for VDD                                    |
| 23            | NC     | No connect. Leave floating.                                 |
| 24            | AOUT   | Audio output  |

## 7. Ordering Guide

| Part Number <sup>1,2</sup> | Description   | Package Type     | Operating Temperature/Voltage |
|----------------------------|---|------------------|-------------------------------|
| Si4822-A10-CU              | AM/FM Broadcast Analog Tune Digital Display Radio Receiver    | 24L SSOP Pb-free | 0 to 70 °C<br>2.0 to 3.6 V    |
| Si4826-A10-CU              | AM/FM/SW Broadcast Analog Tune Digital Display Radio Receiver | 24L SSOP Pb-free | 0 to 70 °C<br>2.0 to 3.6 V    |

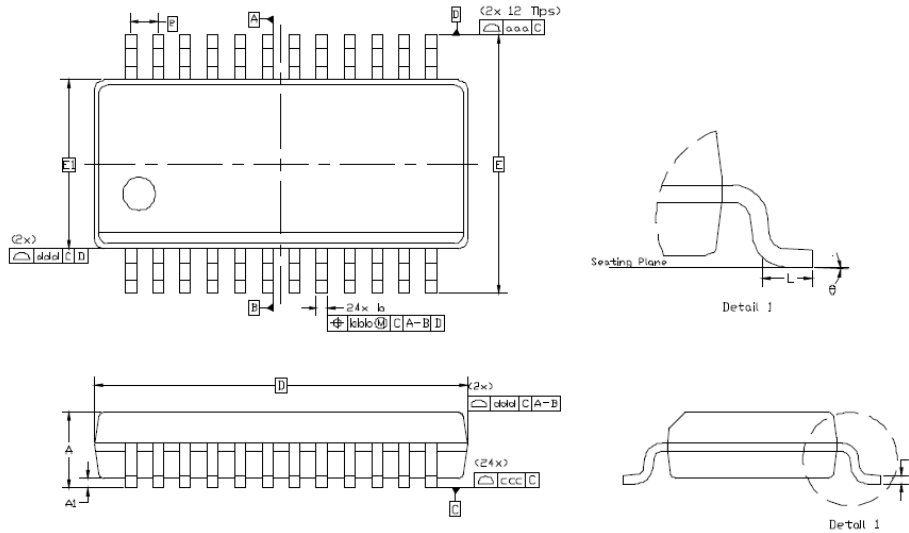
**Notes:**

1. Add an "(R)" at the end of the device part number to denote tape and reel option. The devices will typically operate at 25 °C with degraded specifications for  $V_{DD}$  voltage ramped down to 2.0 V.
2. The -C suffix in the part number indicates Consumer Grade product. Visit [www.silabs.com](http://www.silabs.com) to get more information on product grade specifications.

# Si4822/26-A10

## 8. Package Outline: Si4822/26-A10

The 24-pin SSOP illustrates the package details for the Si4822/26-A10. Table 15 lists the values for the dimensions shown in the illustration.



**Figure 5. 24-Pin SSOP**

**Table 15. Package Dimensions**

| Dimension | Min       | Nom | Max  |
|-----------|-----------|-----|------|
| A         | —         | —   | 1.75 |
| A1        | 0.10      | —   | 0.25 |
| b         | 0.20      | —   | 0.30 |
| c         | 0.10      | —   | 0.25 |
| D         | 8.65 BSC  |     |      |
| E         | 6.00 BSC  |     |      |
| E1        | 3.90 BSC  |     |      |
| e         | 0.635 BSC |     |      |
| L         | 0.40      | —   | 1.27 |
| $\theta$  | 0°        | —   | 8°   |
| aaa       | 0.20      |     |      |
| bbb       | 0.18      |     |      |
| ccc       | 0.10      |     |      |
| ddd       | 0.10      |     |      |

**Notes:**

1. All dimensions shown are in millimeters (mm) unless otherwise noted.
2. Dimensioning and Tolerancing per ANSI Y14.5M-1994.
3. This drawing conforms to the JEDEC Solid State Outline MO-137, Variation AE.
4. Recommended card reflow profile is per the JEDEC/IPC J-STD-020 specification for Small Body Components.

## 9. PCB Land Pattern: Si4822/26-A10

Figure 6 illustrates the PCB land pattern details for the Si4822/26-A10-CU SSOP. Table 16 lists the values for the dimensions shown in the illustration.

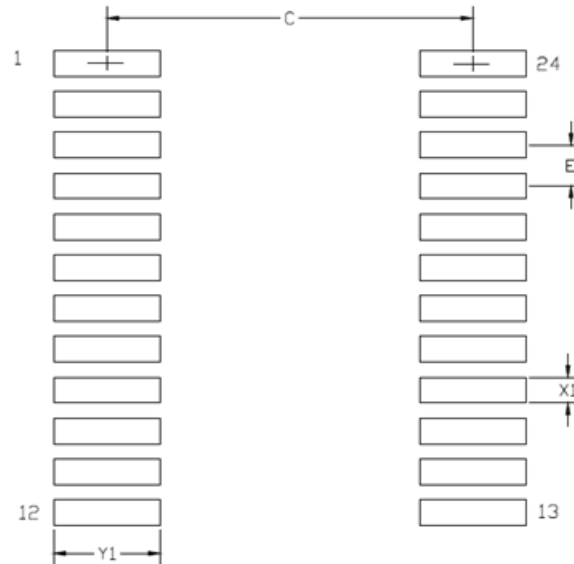


Figure 6. PCB Land Pattern

Table 16. PCB Land Pattern Dimensions

| Dimension | Min       | Max  |
|-----------|-----------|------|
| C         | 5.20      | 5.40 |
| E         | 0.635 BSC |      |
| X1        | 0.35      | 0.45 |
| Y1        | 1.55      | 1.75 |

**General:**

- All dimensions shown are in millimeters (mm) unless otherwise noted.
- This land pattern design is based on the IPC-7351 guidelines.

**Solder Mask Design:**

- All metal pads are to be non-solder mask defined (NSMD). Clearance between the solder mask and the metal pad is to be 60  $\mu\text{m}$  minimum, all the way around the pad.

**Stencil Design:**

- A stainless steel, laser-cut, and electro-polished stencil with trapezoidal walls should be used to assure good solder paste release.
- The stencil thickness should be 0.125 mm (5 mils).
- The ratio of stencil aperture to land pad size should be 1:1 for all perimeter pads.

**Card Assembly:**

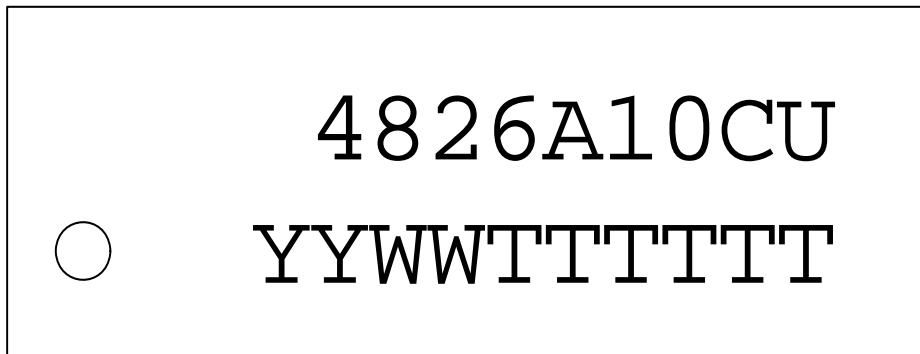
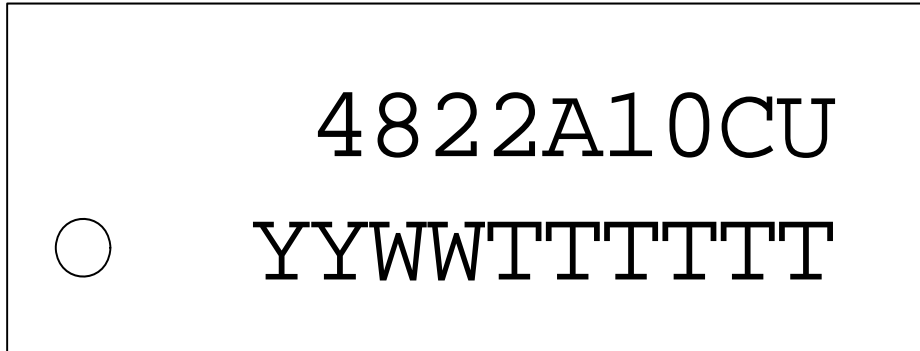
- A No-Clean, Type-3 solder paste is recommended.
- The recommended card reflow profile is per the JEDEC/IPC J-STD-020 specification for Small Body Components.

# Si4822/26-A10

---

## 10. Top Markings

### 10.1. Si4822/26-A10 Top Marking



### 10.2. Top Marking Explanation

|                        |  |  |
|------------------------|--|--|
| <b>Mark Method:</b>    | YAG Laser  |  |
| <b>Line 1 Marking:</b> | Device identifier  | 4822A10CU = Si4822-A10<br>4826A10CU = Si4826-A10 |
| <b>Line 2 Marking:</b> | YY = Year<br>WW = Work week<br>TTTTTT = Manufacturing code | Assigned by the Assembly House.                  |

## 11. Additional Reference Resources

Contact your local sales representatives for more information or to obtain copies of the following references:

- AN602: Si4822/26/40/44 Antenna, Schematic, Layout, and Design Guidelines
- AN603: Si4822/26/40/44-DEMO Board Test Procedure
- Si4822/26-DEMO Board User's Guide
- AN610: Si4822/26/40/44 Programming Guide

## CONTACT INFORMATION

### Silicon Laboratories Inc.

400 West Cesar Chavez  
Austin, TX 78701  
Tel: 1+(512) 416-8500  
Fax: 1+(512) 416-9669  
Toll Free: 1+(877) 444-3032  
Email: [FMinfo@silabs.com](mailto:FMinfo@silabs.com)  
Internet: [www.silabs.com](http://www.silabs.com)

The information in this document is believed to be accurate in all respects at the time of publication but is subject to change without notice. Silicon Laboratories assumes no responsibility for errors and omissions, and disclaims responsibility for any consequences resulting from the use of information included herein. Additionally, Silicon Laboratories assumes no responsibility for the functioning of undescribed features or parameters. Silicon Laboratories reserves the right to make changes without further notice. Silicon Laboratories makes no warranty, representation or guarantee regarding the suitability of its products for any particular purpose, nor does Silicon Laboratories assume any liability arising out of the application or use of any product or circuit, and specifically disclaims any and all liability, including without limitation consequential or incidental damages. Silicon Laboratories products are not designed, intended, or authorized for use in applications intended to support or sustain life, or for any other application in which the failure of the Silicon Laboratories product could create a situation where personal injury or death may occur. Should Buyer purchase or use Silicon Laboratories products for any such unintended or unauthorized application, Buyer shall indemnify and hold Silicon Laboratories harmless against all claims and damages.

Silicon Laboratories and Silicon Labs are trademarks of Silicon Laboratories Inc.  
Other products or brandnames mentioned herein are trademarks or registered trademarks of their respective holders.



Компания «Life Electronics» занимается поставками электронных компонентов импортного и отечественного производства от производителей и со складов крупных дистрибьюторов Европы, Америки и Азии.

С конца 2013 года компания активно расширяет линейку поставок компонентов по направлению коаксиальный кабель, кварцевые генераторы и конденсаторы (керамические, пленочные, электролитические), за счёт заключения дистрибьюторских договоров

Мы предлагаем:

- Конкурентоспособные цены и скидки постоянным клиентам.
- Специальные условия для постоянных клиентов.
- Подбор аналогов.
- Поставку компонентов в любых объемах, удовлетворяющих вашим потребностям.
- Приемлемые сроки поставки, возможна ускоренная поставка.
- Доставку товара в любую точку России и стран СНГ.
- Комплексную поставку.
- Работу по проектам и поставку образцов.
- Формирование склада под заказчика.
- Сертификаты соответствия на поставляемую продукцию (по желанию клиента).
- Тестирование поставляемой продукции.
- Поставку компонентов, требующих военную и космическую приемку.
- Входной контроль качества.
- Наличие сертификата ISO.

В составе нашей компании организован Конструкторский отдел, призванный помогать разработчикам, и инженерам.

Конструкторский отдел помогает осуществить:

- Регистрацию проекта у производителя компонентов.
- Техническую поддержку проекта.
- Защиту от снятия компонента с производства.
- Оценку стоимости проекта по компонентам.
- Изготовление тестовой платы монтаж и пусконаладочные работы.



Тел: +7 (812) 336 43 04 (многоканальный)

Email: [org@lifeelectronics.ru](mailto:org@lifeelectronics.ru)