



FCIconnect.com

Copyright FCI.

Configuration of Documents

P/N	Documents	No.	Title	CAT.No.
SFW_S-25T(M)E1	Specification Connector dwg.	SC-SFWS01	CAT.NO.TABLE FOR 1mm SPACING SMT CONNECTOR	SFW_S-25T
		JSA93342	1mm SPACING SURFACE MOUNT FPC/FFC CONNECTOR	SFW_S-25T
		JSA93579	1mm SPACING SURFACE MOUNT FPC/FFC CONNECTOR	SFW_S-25TM
		JSA93836	CAT. NO. TABLE FOR PLASTIC TAPE PACKAGED 1mm SPACING SMT CONN.	SFW_S-25T_E1
		JSA93343	PLASTIC TAPE PACKAGED 1mm SPACING SMT CONNECTOR	SFW_S-25T_E1
		JSA93338	RECOMMENDED CABLE	SFW_S-25T
		JSA93340	RECOMMENDED CABLE	SFW_S-25T
		JSA93341	RECOMMENDED CABLE	SFW_S-25T
		BJM-SFWS101	RECOMMENDED CABLE	SFW_S-25T
		JSA93900	RECOMMENDED CABLE	SFW_S-25T
SFW_S-65T(M)E1	Specification Connector dwg.	SC-SFWS02	CAT.NO.TABLE FOR 1mm SPACING SMT CONNECTOR	SFW_S-65T
		JSA93900	1mm SPACING SURFACE MOUNT C/C CONNECTOR	SFW_S-65T
		JSA93905	1mm SPACING SURFACE MOUNT C/C CONNECTOR	SFW_S-65TM
		JSA93901	CAT. NO. TABLE FOR PLASTIC TAPE PACKAGED 1mm SPACING SMT CONN.	SFW_S-65T_E1
		JSA93902	PLASTIC TAPE PACKAGED 1mm SPACING SMT CONNECTOR	SFW_S-65T_E1
		JSA93903	RECOMMENDED CABLE	SFW_S-65T
		JSA93904	RECOMMENDED CABLE	SFW_S-65T
		BJM-SFWS102	RECOMMENDED CABLE	SFW_S-65T
		JSA96516	RECOMMENDED CABLE	SFW_S-65T
		JSA96517	RECOMMENDED CABLE	SFW_S-65T
SFW_S-25T(M)E1LF	Specification Connector dwg.	SC-SFWS03	CAT.NO.TABLE FOR 1mm SPACING SMT CONNECTOR	SFW_S-25T_LF
		JSA96516	1mm SPACING SURFACE MOUNT FPC/FFC CONNECTOR	SFW_S-25T_LF
		JSA96517	1mm SPACING SURFACE MOUNT FPC/FFC CONNECTOR	SFW_S-25TM_LF
		JSA96518	CAT. NO. TABLE FOR PLASTIC TAPE PACKAGED 1mm SPACING SMT CONN.	SFW_S-25T_E1LF
		JSA96519	PLASTIC TAPE PACKAGED 1mm SPACING SMT CONNECTOR	SFW_S-25T_E1LF
		JSA96520	RECOMMENDED CABLE	SFW_S-25T_LF
		JSA93340	RECOMMENDED CABLE	SFW_S-25T_LF
		JSA93341	RECOMMENDED CABLE	SFW_S-25T_LF
		BJM-SFWS101	RECOMMENDED CABLE	SFW_S-25T_LF
		JSA96521	RECOMMENDED CABLE	SFW_S-25T_LF
SFW_S-65T(M)E1LF	Specification Connector dwg.	SC-SFWS04	CAT. NO. TABLE FOR 1mm SPACING SMT CONNECTOR	SFW_S-65T_LF
		JSA96521	1mm SPACING SURFACE MOUNT C/C CONNECTOR	SFW_S-65T_LF
		JSA96522	1mm SPACING SURFACE MOUNT C/C CONNECTOR	SFW_S-65TM_LF
		JSA96523	CAT. NO. TABLE FOR PLASTIC TAPE PACKAGED 1mm SPACING SMT CONN.	SFW_S-65T_E1LF
		JSA96524	PLASTIC TAPE PACKAGED 1mm SPACING SMT CONNECTOR	SFW_S-65T_E1LF
		JSA96525	RECOMMENDED CABLE	SFW_S-65T_LF
		JSA93904	RECOMMENDED CABLE	SFW_S-65T_LF
		BJM-SFWS102	RECOMMENDED CABLE	SFW_S-65T_LF
		JSA96526	RECOMMENDED CABLE	SFW_S-65T_LF
		JSA96527	RECOMMENDED CABLE	SFW_S-65T_LF

mat'l. code		surface 58 / tolerance ISO 1302 / ISO 406 / ISO 1101		projection		product family 58SF		CODE JP	
ltr	ecn no	dr	date	tolerances unless otherwise specified		title		sheet 1 of 1	
A	J05-0334	H.T	6/3/'05	angles linear		SFW_S Documents Configuration (1mm Spacing connector)		size A4	
B	J05-0377	H.T	6/22/'05	mm		scale		sheet	
C	J06-0430	H.T	10/19/'06	dr		FCI		type Product Customer Drawing	
				enr		JSA96060		Rev. C	
				chr		sheet 1 of 1		C	
				appd		type		C	

CAT. NO. & DIMENSIONS

NOTE3	NO. OF CONTACTS (n)	CAT. NO.	DIMENSIONS (NOTE2)		
			A ±0.2	B ±0.2	C ±0.2
	4	SFW4S-2ST____	10.4	5.24	3
	5	SFW5S-2ST____	11.4	6.24	4
	6	SFW6S-2ST____	12.4	7.24	5
*	7	SFW7S-2ST____	13.4	8.24	6
	8	SFW8S-2ST____	14.4	9.24	7
*	9	SFW9S-2ST____	15.4	10.24	8
	10	SFW10S-2ST____	16.4	11.24	9
	11	SFW11S-2ST____	17.4	12.24	10
*	12	SFW12S-2ST____	18.4	13.24	11
	13	SFW13S-2ST____	19.4	14.24	12
	14	SFW14S-2ST____	20.4	15.24	13
	15	SFW15S-2ST____	21.4	16.24	14
	16	SFW16S-2ST____	22.4	17.24	15
	17	SFW17S-2ST____	23.4	18.24	16
*	18	SFW18S-2ST____	24.4	19.24	17
*	19	SFW19S-2ST____	25.4	20.24	18
	20	SFW20S-2ST____	26.4	21.24	19
*	21	SFW21S-2ST____	27.4	22.24	20
	22	SFW22S-2ST____	28.4	23.24	21
	23	SFW23S-2ST____	29.4	24.24	22
	24	SFW24S-2ST____	30.4	25.24	23
*	25	SFW25S-2ST____	31.4	26.24	24
	26	SFW26S-2ST____	32.4	27.24	25
*	27	SFW27S-2ST____	33.4	28.24	26
	28	SFW28S-2ST____	34.4	29.24	27
	29	SFW29S-2ST____	35.4	30.24	28
	30	SFW30S-2ST____	36.4	31.24	29
*	31	SFW31S-2ST____	37.4	32.24	30
*	32	SFW32S-2ST____	38.4	33.24	31



NOTES

1. THIS PRODUCT IS THE CONNECTOR, DESIGNED TO TERMINATE FPC/FFC AND COPE WITH AUTOMATIC MOUNTING (SMT).
2. SEE PART DRAWINGS FOR DIMENSIONS A.B.C.
3. PLEASE CONSULT US IN CASE OF USING PARTS WITH * MARK

mat'l. code				surface 58 / tolerance ISO 1302 / ISO 406 / ISO 1101		projection		product family 58SF		CODE JP	
ltr ecn no dr date				tolerances unless otherwise specified		mm		title CAT. NO. TABLE FOR 1mm SPACING SMT CONNECTOR (CAT.No.SFW__S-2ST__)			
AA	J04-0333	H.T	2004-10-13	angles linear		scale X		dwg no sheet 1 of 1 size A4			
AB	J05-0547	H.T	2005-8-30	engr		FCJ		JSA 93342			
AC	J06-0430	H.T	2006-10-19	chr		type Product Customer Drawing					
AD	J07-0407	H.T	2007-8-9	appd							
sheet index		revision sheet 1		AD						Rev AD	



PT. NO.	PARTS NAME	MATERIAL	Q'TY	NOTE
1	HOUSING	GLASS FILLED THERMOPLASTIC RATED. (UL94V-0)	1	COLOR: BROWN
2	SLIDER	PHOSPHOR BRONZE	1	COLOR: BLACK
3	CONTACT	PHOSPHOR BRONZE	n	PLATING: TIN ALLOY

n : NO. OF CONTACTS

RECOMMENDED PC BOARD LAYOUT (COMPONENT SIDE)



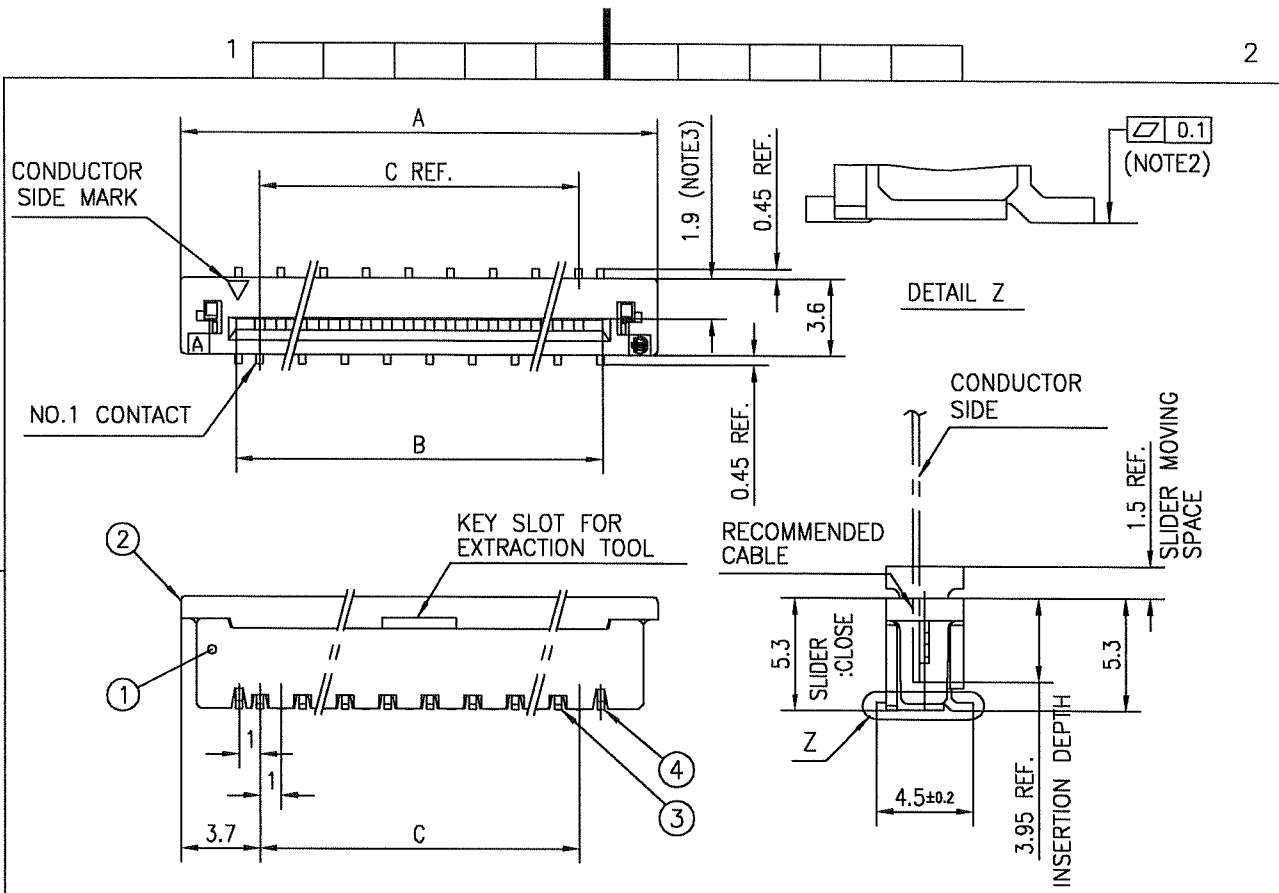
NOTES

1. THIS PRODUCT IS THE CONNECTOR DESIGNED TO TERMINATE FPC/FFC AND COPE WITH AUTOMATIC MOUNTING (SMT).
2. FLATNESS OF CONTACT TERMINAL MUST BE WITHIN TOLERANCE IN Z PORTION DETAILED DRAWING.
3. THIS DIMENSION IS SPACE FOR THE NOZZLE OF MOUNTER.

mat'l. code				surface 5B / tolerance ISO 1302 ✓ / ISO 406 / ISO 1101		projection		product family 58SF		CODE JP	
ltr ecn no dr date				tolerances unless otherwise specified		mm		title			
AA J04-0333 H.T Oct.13/04				±0.2		mm		1mm SPACING SURFACE MOUNT FPC/FFC CONNECTOR (CAT.No.SFW__S-2ST__)			
AB J06-0430 H.T 10/19/06				angles linear		scale X		dwg no sheet 1 of 1 size			
				dr 10/19/06		FCI		JSA 93579 A4			
				enr 10/19/06				type Product Customer Drawing			
				chr 10/18/06				Rev. AB			
				appd 10/20/06							
sheet index		revision AB									
1		1									



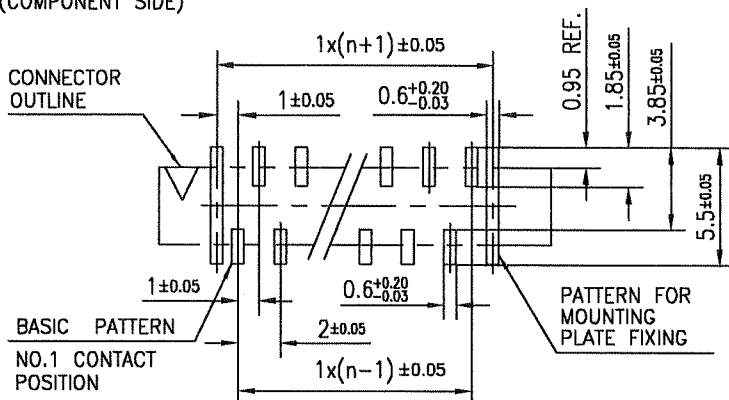
Copyright FCI.



PT. NO.	PARTS NAME	MATERIAL	Q'TY	NOTE
1	HOUSING	GLASS FILLED THERMOPLASTIC RATED. (UL94V-0)	1	COLOR:BROWN
2	SLIDER		1	COLOR:BLACK
3	CONTACT	PHOSPHOR BRONZE	n	PLATING:TIN ALLOY
4	MOUNTING PLATE	BRASS	2	

n : NO. OF CONTACTS

RECOMMENDED PC BOARD LAYOUT (COMPONENT SIDE)



NOTES

1. THIS PRODUCT IS THE CONNECTOR DESIGNED TO TERMINATE FPC/FFC AND COPE WITH AUTOMATIC MOUNTING (SMT).
2. FLATNESS OF CONTACT TERMINAL AND MOUNTING PLATE MUST BE WITHIN TOLERANCE IN Z PORTION DETAILED DRAWING.
3. THIS DIMENSION IS SPACE FOR THE NOZZLE OF MOUNTER.

mat'l. code				surface 58 / tolerance ISO 1302 ✓ ISO 406 ISO 1101		projection		product family 58SF		CODE JP	
ltr	ecn no	dr	date	tolerances unless otherwise specified		mm		title			
AA	J04-0333	H.T.	Oct.13,'04	±0.2		mm		1mm SPACING SURFACE MOUNT FPC/FFC CONNECTOR (CAT.No.SFW__S-2STM__)			
AB	J06-0430	H.T.	10/19/06	linear		scale X		dwg no		sheet 1 of 1 size	
				dr		FCI		JSA 93836		A4	
				enr				type		Product Customer Drawing	
				chr						Rev. AB	
				appd							
sheet index		revision sheet 1									



FCIconnect.com

Copyright FCI.

CAT. NO. & DIMENSIONS

(NOTE4)	NO. OF CONTACTS (n)	CAT. NO. (NOTE2)	DIMENSIONS (NOTE3)		
			D ± 5	E ± 0.3	F ± 0.1
	4	SFW4S-2ST_E1	28.4	24	—
	5	SFW5S-2ST_E1	28.4	24	—
	6	SFW6S-2ST_E1	28.4	24	—
*	7	SFW7S-2ST_E1	28.4	24	—
	8	SFW8S-2ST_E1	28.4	24	—
*	9	SFW9S-2ST_E1	28.4	24	—
	10	SFW10S-2ST_E1	28.4	24	—
	11	SFW11S-2ST_E1	28.4	24	—
*	12	SFW12S-2ST_E1	36.4	32	28.4
	13	SFW13S-2ST_E1	36.4	32	28.4
	14	SFW14S-2ST_E1	36.4	32	28.4
	15	SFW15S-2ST_E1	36.4	32	28.4
	16	SFW16S-2ST_E1	48.4	44	40.4
	17	SFW17S-2ST_E1	48.4	44	40.4
*	18	SFW18S-2ST_E1	48.4	44	40.4
*	19	SFW19S-2ST_E1	48.4	44	40.4
	20	SFW20S-2ST_E1	48.4	44	40.4
*	21	SFW21S-2ST_E1	48.4	44	40.4
	22	SFW22S-2ST_E1	48.4	44	40.4
	23	SFW23S-2ST_E1	48.4	44	40.4
	24	SFW24S-2ST_E1	48.4	44	40.4
*	25	SFW25S-2ST_E1	48.4	44	40.4
	26	SFW26S-2ST_E1	48.4	44	40.4
*	27	SFW27S-2ST_E1	60.4	56	52.4
	28	SFW28S-2ST_E1	60.4	56	52.4
	29	SFW29S-2ST_E1	60.4	56	52.4
	30	SFW30S-2ST_E1	60.4	56	52.4
*	31	SFW31S-2ST_E1	60.4	56	52.4
*	32	SFW32S-2ST_E1	60.4	56	52.4



NOTES

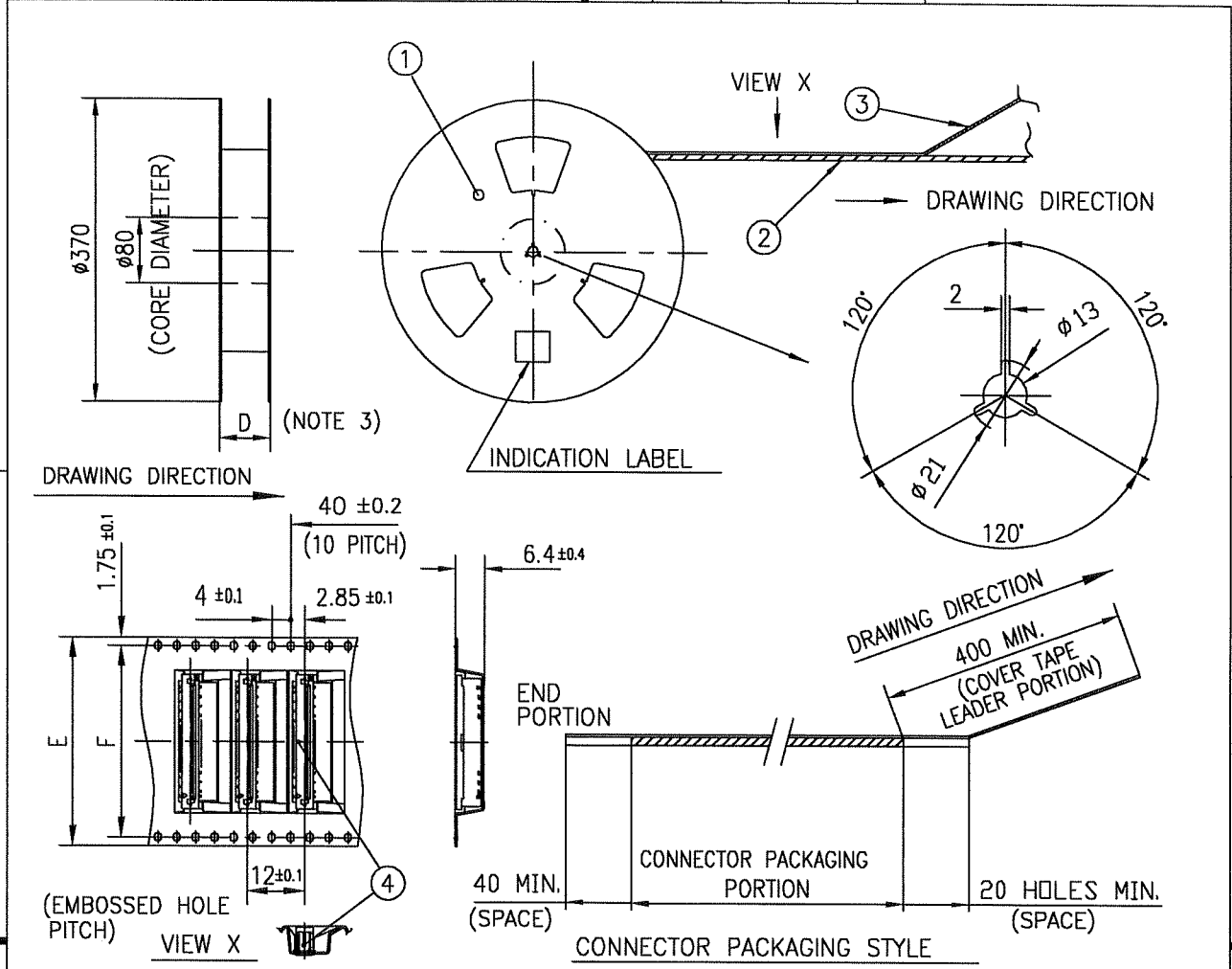
1. THIS PRODUCT IS THE CONNECTOR DESIGNED TO TERMINATE FPC/FFC AND COPEs WITH AUTOMATIC MOUNTING (SMT).
2. THIS CATALOG NO. INDICATES PLASTIC TAPE PACKAGED CONNECTOR.
3. SEE PART DRAWINGS FOR DIMENSIONS D~F.
4. PLEASE CONSULT US IN CASE OF USING PARTS WITH * MARK.



FCIconnect.com

Copyright FCI.

mat'l. code		surface 58 / tolerance ISO 1302 ✓ / ISO 406 / ISO 1101		projection	product family 58SF	CODE JP
ltr	ecn no	dr	date	mm	title CAT NO. TABLE FOR PLASTIC TAPE PACKAGED 1mm SPACING SMT CONN. (CAT.No.SFW__S-2ST_E1)	
AA	J04-0333	H.T	2004-10-13			
AB	J05-0547	H.T	2005-8-30	scale X	dwg no sheet 1 of 1 size JSA 93343 A4	
AC	J06-0430	H.T	2006-10-19			
AD	J07-0407	H.T	2007-8-9	type Product Customer Drawing		
sheet index	revision	AD	1			Rev. AD



PT. NO.	PARTS NAME	CAT. NO.	MATERIAL	Q'TY	NOTE
1	REEL	_____	CARDBOARD	1	COLOR:GRAY
2	PLASTIC (EMBOSSED) TAPE	_____	PET	_____	COLOR:TRANSPARENCY
3	COVER	_____	POLYESTER	_____	COLOR:TRANSPARENCY
4	CONNECTOR	SFW__S-2ST__	SEE ATTACHED DWG.	1000	_____

- NOTES
1. THIS IS PLASTIC TAPE PACKAGED CONNECTOR USED FOR FPC/FFC AND COPES WITH AUTOMATIC MOUNTING (SMT).
 2. SEE JIS C 0806 (PACKING OF ELECTRONIC COMPONENTS ON CONTINUOUS TAPES (SURFACE MOUNTING DEVICES)) FOR SHAPE AND DIMENSIONS OF PLASTIC (EMBOSSED) TAPE AND REEL.
 3. F DIMENSION IS PORTION OF THE CORE.

mat'l. code				surface 58 / tolerance ISO 1302 ✓ ISO 406 ISO 1101		projection		product family 58SF		CODE JP	
ltr	ecn no	dr	date	tolerances unless otherwise specified				title			
AA	J04-0333	H.T.	Oct.13,'04	angles	linear	mm		PLASTIC TAPE PACKAGED 1mm SPACING SMT CONNECTOR (CATA.No.SFW__S-2ST_E1)			
AB	J06-0430	H.T.	10/19/06	±5'		scale X		dwg no		sheet 1 of 1 size	
				dr	<i>K. S. Brown</i>			JSA 93338		A4	
				enr	<i>K. S. Brown</i>			type Product Customer Drawing			
				chr	<i>R. S. Brown</i>						
				appd	<i>R. S. Brown</i>						
sheet index	revision sheet	AB	1								Rev. AB

FCJ
 FCconnect.com
 Copyright FCJ.

RECOMMENDED CABLE (FPC)

n : NO. OF CONDUCTORS



PT. NO.	DESCRIPTION	MATERIAL	THICKNESS (μm)
1	BASE FILM	POLYIMIDE OR POLYESTER OR EQUIVALENT	25
2	CONDUCTOR	COPPER FOIL(PLATING : SOLDER 1μm MIN.)	35
3	OVERLAY	POLYIMIDE OR POLYESTER OR EQUIVALENT	—
4	SUPPORTING TAPE	POLYESTER OR POLYIMIDE OR EQUIVALENT	188

NOTES

1. NO BURR AT EACH PORTION.
2. NO PEELING IN COMMON USE.
3. TOTAL THICKNESS LIMIT OF EACH MATERIAL (INCLUDING ADHESIVE AGENT) IS SPECIFIED.

mat'l. code				surface 58 / tolerance ISO 406 / ISO 1101		projection		product family 58SF		CODE JP	
ltr ecn no dr date				tolerances unless otherwise specified		mm		title			
AA J04-0333 H.T Oct.13,'04				angles linear		mm		RECOMMENDED CABLE			
AB J06-0430 H.T 10/19/06						scale X		(CAT.No.SFW__S-2ST__)			
				dr 10/19/06		FCI		dwg no sheet 1 of 1 size			
				enr 10/19/06				JSA 93340		A4	
				chr 10/19/06				type Product Customer Drawing			
				appd 10/20/06							
sheet index		revision sheet		AB 1						Rev AB	



FCIconnect.com

Copyright FCI.

RECOMMENDED CABLE (FFC)

n : NO. OF CONDUCTORS



PT. NO.	DESCRIPTION	MATERIAL	NOTE
1	INSULATOR	FLAME RESISTING POLYESTER OR EQUIVALENT	_____
2	CONDUCTOR	COPPER FOIL	PLATING: TIN OR SOLDER 1µm MIN.
3	SUPPORTING TAPE	FLAME RESISTING POLYESTER OR EQUIVALENT	_____

NOTES

1. NO BURR AT EACH PORTION.
2. NO PEELING IN COMMON USE.

mat'l. code				surface 5B / tolerance ISO 1302 ✓ ISO 406 ISO 1101		projection		product family 58SF		CODE JP	
ltr	ecn no	dr	date	tolerances unless otherwise specified				title			
AA	J04-0333	H.T	06.13.04	angles		mm		RECOMMENDED CABLE (CAT.No.SFW__S-2ST__)			
AB	J06-0430	H.T	10/19/06	linear		scale X		dwg no sheet 1 of 1 size			
				dr <i>H. Hoshino</i> 10/19/06				JSA 93341 A4			
				enr <i>H. Hoshino</i> 10/19/06				type Product Customer Drawing			
				chr <i>R. Shiojiri</i> 10/19/06							
				appd <i>P. Nishida</i> 10/20/06							
sheet index		revision AB		sheet 1						Rev. AB	



FCIconnect.com

Copyright FCI.

Компания «Life Electronics» занимается поставками электронных компонентов импортного и отечественного производства от производителей и со складов крупных дистрибьюторов Европы, Америки и Азии.

С конца 2013 года компания активно расширяет линейку поставок компонентов по направлению коаксиальный кабель, кварцевые генераторы и конденсаторы (керамические, пленочные, электролитические), за счёт заключения дистрибьюторских договоров

Мы предлагаем:

- Конкурентоспособные цены и скидки постоянным клиентам.
- Специальные условия для постоянных клиентов.
- Подбор аналогов.
- Поставку компонентов в любых объемах, удовлетворяющих вашим потребностям.
- Приемлемые сроки поставки, возможна ускоренная поставка.
- Доставку товара в любую точку России и стран СНГ.
- Комплексную поставку.
- Работу по проектам и поставку образцов.
- Формирование склада под заказчика.
- Сертификаты соответствия на поставляемую продукцию (по желанию клиента).
- Тестирование поставляемой продукции.
- Поставку компонентов, требующих военную и космическую приемку.
- Входной контроль качества.
- Наличие сертификата ISO.

В составе нашей компании организован Конструкторский отдел, призванный помогать разработчикам, и инженерам.

Конструкторский отдел помогает осуществить:

- Регистрацию проекта у производителя компонентов.
- Техническую поддержку проекта.
- Защиту от снятия компонента с производства.
- Оценку стоимости проекта по компонентам.
- Изготовление тестовой платы монтаж и пусконаладочные работы.



Тел: +7 (812) 336 43 04 (многоканальный)
Email: org@lifeelectronics.ru