

BEZEL FOR DOTMATRIX MODULES



BEZELS EA 017-XXU SERIES

These bezels give your equipment a professional design without extra tooling. The bezels are made of black ABS-material (UL listed) with a scratch-resistant and structured surface. They include a snap-in appliance for easy mounting of different 1 mm windows. They are available with glass or acrylicglass window, both clear or antiglare version. The bezels are glued into the frontpanel of your equipment.

| bezel version | ordering information |
|------------------------|----------------------|
| without window | EA 017-xxU |
| clear acrylicglass | EA 017-xxUK |
| antiglare acrylicglass | EA 017-xxUKE |
| clear glass | EA 017-xxUG |
| antiglare glass | EA 017-xxUGE |

BEZELS EA 017-XX SERIES

These bezels are similar in design (not UL listed), the surface is mat black coated. Acrylicglass windows are available clear or antiglare.

| bezel version | ordering information |
|------------------------|----------------------|
| without window | EA 017-xx |
| clear acrylicglass | EA 017-xxK |
| antiglare acrylicglass | EA 017-xxKE |

**ELECTRONIC
ASSEMBLY**
making things easy

BEZELS FOR DOTMATRIX MODULES EA 017-xxU AND EA 017-xx SERIES



(This drawing shows the snap in holders for acrylic or glass. Within EA 017-xx series there are no snap-in holder)

(all dimensions in mm)

| Ordering information | viewing area | | bezel size | | cutout | | studs G | matching lcd-module dotmatrix / graphic |
|----------------------|--------------|------|------------|------|--------|------|---------|---|
| | A | B | C | D | E | F | | |
| EA 017-1U | 63,5 | 12,8 | 79,5 | 25,0 | 69,7 | 19,2 | 74,5 | EA 7161-A 1x16 |
| EA 017-2U | 60,0 | 14,8 | 76,0 | 27,0 | 66,2 | 21,2 | 71,0 | EA 7162 2x16 |
| EA 017-3 | 131,5 | 13,0 | 147,5 | 25,2 | 137,7 | 19,4 | 142,5 | (EA 7321) 1x32 |
| EA 017-4U | 153,0 | 14,8 | 169,0 | 27,0 | 159,2 | 21,2 | 164,0 | EA 7402 2x40 |
| EA 017-5 | 140,0 | 15,8 | 156,0 | 28,0 | 146,2 | 22,2 | 151,0 | EA 7322-B 2x32 |
| EA 017-6U | 98,5 | 12,8 | 114,5 | 25,0 | 104,7 | 19,2 | 109,5 | EA 7161-E 1x16 |
| EA 017-7U | 81,5 | 17,2 | 97,5 | 29,4 | 87,7 | 23,6 | 92,5 | EA 7202 2x20 |
| EA 017-8U | 60,8 | 24,2 | 76,8 | 36,4 | 67,0 | 30,6 | 71,8 | EA 7164 4x16 |
| EA 017-9U | 75,0 | 24,2 | 91,0 | 36,4 | 81,2 | 30,6 | 86,0 | EA 7204 4x20 |
| EA 017-10U | 131,0 | 38,0 | 147,0 | 50,2 | 137,2 | 44,4 | 142,0 | EA 7240-6 240x64 |
| EA 017-12U | 97,4 | 22,4 | 113,4 | 34,6 | 103,6 | 28,8 | 108,4 | EA 7162-B 2x16 |
| EA 017-13U | 145,0 | 28,0 | 161,0 | 40,2 | 151,2 | 34,4 | 156,0 | EA 7404 4x40 |
| EA 017-14U | 92,0 | 14,8 | 108,0 | 27,0 | 98,4 | 21,2 | 103,0 | EA 7242 2x24 |
| EA 017-15U | 68,0 | 68,0 | 84,0 | 80,2 | 74,2 | 74,4 | 79,0 | EA VK-2128 128x128 |
| EA 017-16U | 75,0 | 39,0 | 91,0 | 51,2 | 81,2 | 45,4 | 86,0 | EA VK-2080 160x80 |
| EA 017-17U | 58,0 | 32,5 | 74,0 | 44,7 | 64,2 | 38,9 | 69,0 | EA VK-2064 128x64 |
| EA 017-18U | 99,5 | 80,5 | 115,5 | 92,7 | 105,7 | 86,9 | 110,5 | EA VK-5160 160x128 |
| EA 017-23 | 121,0 | 12,0 | 137,0 | 24,2 | 127,2 | 18,4 | 132,0 | EA 8201-B 1x20 |
| EA 017-25 | 121,0 | 41,5 | 137,0 | 53,7 | 127,2 | 47,9 | 132,0 | EA 8204-B 4x20 |
| EA 017-27 | 145,0 | 33,8 | 161,0 | 46,0 | 151,2 | 40,2 | 156,0 | EA 8202-C 2x20 |
| EA 017-28 | 145,0 | 63,9 | 161,0 | 76,1 | 151,2 | 70,3 | 156,0 | EA 8204-C 4x20 |

The panel cutout should be 0.2 to 0.5 mm larger than dimension EF. The bezel is centered to the cutout by 2 studs with 2mm diameter.

BEZELS FOR DOTMATRIX MODULES EA 07 SERIES

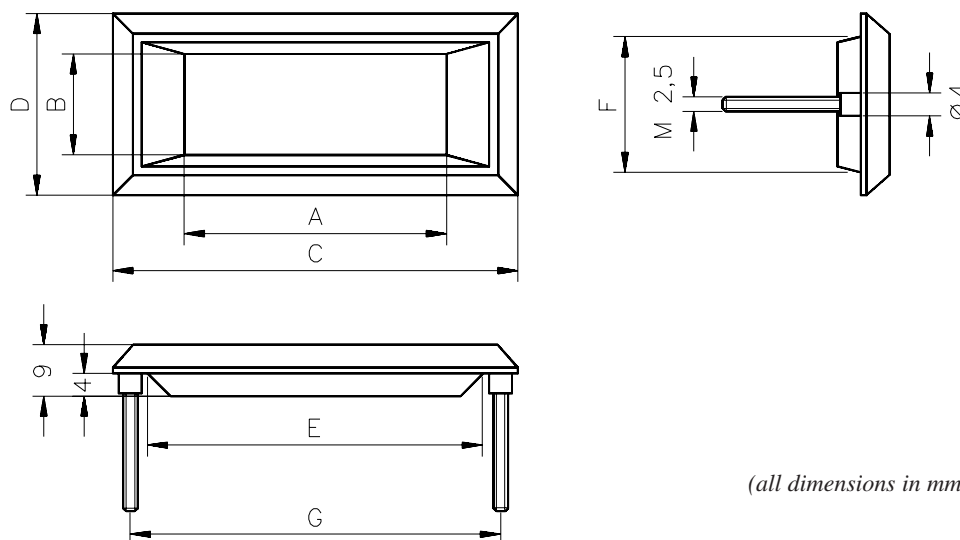


| Ordering information | viewing area | | bezel size | | cutout | | mounting G | matching module |
|----------------------|--------------|------|------------|------|--------|------|------------|-----------------|
| | A | B | C | D | E | F | | |
| EA 07-B | 97,0 | 12,0 | 122,0 | 25,0 | 118,0 | 21,0 | 114 x 17 | EA 7161-E/-F |
| EA 07-C | 60,0 | 15,0 | 88,0 | 28,0 | 84,0 | 24,0 | 80 x 20 | EA 7162 a.o. |
| EA 07-D | 82,0 | 17,0 | 107,0 | 30,0 | 103,0 | 26,0 | 99 x 20 | EA 7202 a.o. |
| EA 07-E | 151,0 | 15,0 | 176,0 | 28,0 | 174,0 | 24,0 | 169 x 20 | EA 7402 a.o. |

The bezels from the EA 07 series are always delivered without acrylicglass window.

BEZELS FOR FRONTPANEL DESIGN AND MOUNTING

STANDARD BEZELS WITH SCREWPINS M2,5 FOR LCD-MODULES FROM SERIES EA 11xx, EA 21xx, EA 31xx, 41xx AND EA 61xx



(all dimensions in mm)

| Ordering information | viewing area | | bezel size | | cutout | | mounting | matching module |
|----------------------|--------------|------|------------|------|--------|------|------------|-----------------|
| | A | B | C | D | E | F | G | |
| EA 03 | 45,6 | 17,7 | 70,0 | 32,0 | 54,5 | 22,0 | 61 / M2,5 | 13mm 4digit |
| EA 08-N | 62,2 | 22,6 | 87,0 | 36,6 | 72,7 | 28,2 | 80,3/ M2,5 | 18mm 4digit |
| EA 09 | 86,2 | 17,7 | 113,0 | 32,0 | 96,0 | 22,0 | 104 / M2,5 | 13mm 8digit |
| EA 050-N | 160,0 | 56,0 | 189,0 | 73,0 | 173,2 | 62,3 | 180,3 x 61 | 50mm 4digit |

The bezels have two (EA 050-N: four) screwpins M2,5 for mounting the LCD-module on the frontpanel. The delivery includes the matching nuts.

At 5 pcs off we can deliver these bezels (excl. EA 050-N) with pasted acrylicglass (thickness 1mm).

FRONTPANEL AND MOUNTING BEZELS FOR LED-MODULES WITH 12, 19, 25mm DIGIT HEIGHT



| Ordering information | viewing area | | bezel size | | cutout | | mounting G | matching module |
|----------------------|--------------|------|------------|------|--------|------|------------|-----------------|
| | A | B | C | D | E | F | | |
| EA 074-R | 42,7 | 12,2 | 63,0 | 25,5 | 59,0 | 21,5 | 48,5/ M3 | 4 Digit (LED) |
| EA 079-R | 106,0 | 12,2 | 125,5 | 25,5 | 121,5 | 21,5 | 114,5/ M3 | 9 Digit (LED) |
| EA 083-R | 43,0 | 25,0 | 62,5 | 38,0 | 58,5 | 34,0 | 50 / M3 | 3 Digit (LED) |
| EA 087-K/-R | 93,0 | 25,0 | 114,0 | 38,0 | 110,0 | 34,0 | 101 | 8 Digit (LED) |
| EA 093-R | 38,0 | 19,5 | 59,0 | 32,0 | 55,0 | 28,0 | 45 / M3 | 3 Digit (LED) |
| EA 094-R | 50,0 | 19,5 | 70,5 | 32,0 | 66,5 | 28,0 | 58 / M3 | 4 Digit (LED) |
| EA 096-R | 77,0 | 19,5 | 97,0 | 32,0 | 93,0 | 28,0 | 84 / M3 | 6 Digit (LED) |

These bezels are usually delivered with a red acrylicglass window. Alternatively you can order a clear acrylicglass window. The ordering information is now e.g: **EA 096-K** insted of **EA 096-R**.

FRONTPANEL AND MOUNTING BEZELS FOR SPECIAL MODULES



| Ordering information | viewing area | | bezel size | | cutout | | mounting | matching module |
|----------------------|--------------|------|------------|------|--------|------|----------|-------------------|
| | | | | | | | | |
| EA 033-K | 45,7 | 18,2 | 72,0 | 36,0 | 68,0 | 33,0 | 62 x 27 | EA 4060-DP |
| EA 033-R | 45,7 | 18,2 | 72,0 | 36,0 | 68,0 | 33,0 | 62 x 27 | EA 4040-DP |
| EA 044 | 32,5 | 13,0 | 48,0 | 24,0 | 45,0 | 22,5 | snap-in | EA 4044 |
| EA 055 | 42,5 | 17,5 | 60,0 | 30,0 | 57,0 | 27,0 | snap-in | EA 4055/-S |
| EA 055-31 | 42,5 | 17,5 | 60,0 | 30,0 | 57,0 | 27,0 | snap-in | EA 1031-N,EA 4050 |

The snap-in bezel is delivered in two parts: the bezel and the window. The bezel is pressed from the frontside into the frontpanel and the corresponding module is snapped in from the rearside of the frontpanel. Finally the window is pasted up to the bezel.

Компания «Life Electronics» занимается поставками электронных компонентов импортного и отечественного производства от производителей и со складов крупных дистрибьюторов Европы, Америки и Азии.

С конца 2013 года компания активно расширяет линейку поставок компонентов по направлению коаксиальный кабель, кварцевые генераторы и конденсаторы (керамические, пленочные, электролитические), за счёт заключения дистрибьюторских договоров

Мы предлагаем:

- Конкурентоспособные цены и скидки постоянным клиентам.
- Специальные условия для постоянных клиентов.
- Подбор аналогов.
- Поставку компонентов в любых объемах, удовлетворяющих вашим потребностям.
- Приемлемые сроки поставки, возможна ускоренная поставка.
- Доставку товара в любую точку России и стран СНГ.
- Комплексную поставку.
- Работу по проектам и поставку образцов.
- Формирование склада под заказчика.
- Сертификаты соответствия на поставляемую продукцию (по желанию клиента).
- Тестирование поставляемой продукции.
- Поставку компонентов, требующих военную и космическую приемку.
- Входной контроль качества.
- Наличие сертификата ISO.

В составе нашей компании организован Конструкторский отдел, призванный помогать разработчикам, и инженерам.

Конструкторский отдел помогает осуществить:

- Регистрацию проекта у производителя компонентов.
- Техническую поддержку проекта.
- Защиту от снятия компонента с производства.
- Оценку стоимости проекта по компонентам.
- Изготовление тестовой платы монтаж и пусконаладочные работы.



Тел: +7 (812) 336 43 04 (многоканальный)
Email: org@lifeelectronics.ru