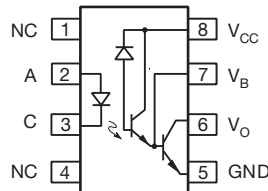


High Speed Optocoupler, 100 kBd, Low Input Current, Photodiode Darlington Output



DESIGN SUPPORT TOOLS

[click logo to get started](#)



DESCRIPTION

High common mode transient immunity and very high current ratio together with 5300 V_{RMS} insulation are achieved by coupling an LED with an integrated high gain photo detector in an eight pin dual-in-line package. Separate pins for the photo diode and output stage enable TTL compatible saturation voltages with high speed operation.

Access to the base terminal allows adjustment to the gain bandwidth.

The 6N139 is suited for low power logic applications involving CMOS and low power TTL applications. A 400 % current transfer ratio with only 0.5 mA of LED current is guaranteed.

Caution: Due to the small geometries of this device, it should be handled with Electrostatic Discharge (ESD) precautions. Proper grounding would prevent damage further and/or degradation which may be induced by ESD.

FEATURES

- High current transfer ratio, 500 %
- Low input current, 1.6 mA
- High common mode rejection, 500 V/ μ s
- Adjustable bandwidth-access to base
- Material categorization: for definitions of compliance please see www.vishay.com/doc?99912



RoHS
COMPLIANT

APPLICATIONS

- Microprocessor system interface
- PLC, ATE input / output isolation
- EIA RS232 line receiver
- TTL, CMOS voltage level translation
- Multiplexed data transmission
- Digital control power supply
- Ground loop and electrical noise elimination

AGENCY APPROVALS

- [UL 1577](#)
- [cUL](#)
- [DIN EN 60747-5-5 \(VDE 0884-5\), available with option 1](#)

ORDERING INFORMATION



AGENCY CERTIFIED/PACKAGE	CTR (%)
	UL, cUL
DIP-8	> 500
SMD-8, option 7	6N139
SMD-8, option 9	6N139-X007, 6N139-X007T
UL, cUL, VDE (option 1)	> 500
DIP-8	6N139-X009, 6N139-X009T
SMD-8, option 7	6N139-X001
SMD-8, option 9	6N139-X017T
	6N139-X019T

Note

- For additional information on the available options refer to option information



ABSOLUTE MAXIMUM RATINGS ($T_{amb} = 25\text{ }^{\circ}\text{C}$, unless otherwise specified)				
PARAMETER	TEST CONDITION	SYMBOL	VALUE	UNIT
INPUT				
Reverse voltage		V_R	5	V
Forward current		I_F	25	mA
Average input current		$I_{f(avg)}$	20	mA
Input power dissipation		P_{diss}	35	mW
OUTPUT				
Supply and output voltage	Pin 8 to 5, pin 6 to 5	V_{CC}, V_O	-0.5 to 18	V
Emitter base reverse voltage	Pin 5 to 7		0.5	V
Peak input current	50 % duty cycle - 1 ms pulse width		40	mA
Peak transient input current	$t_p \leq 1\text{ }\mu\text{s}$, 300 pps		1	A
Output current	Pin 6	I_O	60	mA
Output power dissipation		P_{diss}	100	mW
COUPLER				
Storage temperature		T_{stg}	-55 to +150	$^{\circ}\text{C}$
Operating temperature		T_{amb}	-55 to +100	$^{\circ}\text{C}$
Lead soldering temperature	$t = 10\text{ s}$	T_{sld}	260	$^{\circ}\text{C}$

Note

- Stresses in excess of the absolute maximum ratings can cause permanent damage to the device. Functional operation of the device is not implied at these or any other conditions in excess of those given in the operational sections of this document. Exposure to absolute maximum ratings for extended periods of the time can adversely affect reliability

ELECTRICAL CHARACTERISTICS ($T_{amb} = 25\text{ }^{\circ}\text{C}$, unless otherwise specified)						
PARAMETER	TEST CONDITION	SYMBOL	MIN.	TYP.	MAX.	UNIT
INPUT						
Input forward voltage	$I_F = 1.6\text{ mA}$	V_F	-	1.4	1.7	V
Input reverse breakdown voltage	$I_R = 10\text{ }\mu\text{A}$	B_{VR}	5	-	-	V
Input capacitance	$f = 1\text{ MHz}$, $V_F = 0$	C_{IN}	-	25	-	pF
Temperature coefficient of forward voltage	$I_F = 1.6\text{ mA}$		-	-1.8	-	mV/ $^{\circ}\text{C}$
OUTPUT						
Logic low, output voltage ⁽¹⁾	$I_F = 1.6\text{ mA}$, $I_O = 8\text{ mA}$, $V_{CC} = 4.5\text{ V}$	V_{OL}	-	0.1	0.4	V
	$I_F = 5\text{ mA}$, $I_O = 15\text{ mA}$, $V_{CC} = 4.5\text{ V}$	V_{OL}	-	0.15	0.4	V
	$I_F = 12\text{ mA}$, $I_O = 24\text{ mA}$, $V_{CC} = 4.5\text{ V}$	V_{OL}	-	0.25	0.4	V
Logic high, output current ⁽¹⁾	$I_F = 0\text{ mA}$, $V_{CC} = 18\text{ V}$	I_{OH}	-	0.05	100	μA
Logic low supply current ⁽¹⁾	$I_F = 1.6\text{ mA}$, $V_O = \text{OPEN}$, $V_{CC} = 18\text{ V}$	I_{CCL}	-	0.2	1.5	mA
Logic high supply current ⁽¹⁾	$I_F = 0\text{ mA}$, $V_O = \text{OPEN}$, $V_{CC} = 18\text{ V}$	I_{CCH}	-	0.001	10	μA
COUPLER						
Input output insulation leakage current	45 % relative humidity, $T_{amb} = 25\text{ }^{\circ}\text{C}$, $t = 5\text{ s}$, $V_{IO} = 3000\text{ V}_{DC}$		-	-	1	μA
Coupling capacitance	$f = 1\text{ MHz}$	C_{IO}	-	0.6	-	pF

Notes

- Minimum and maximum values are testing requirements. Typical values are characteristics of the device and are the result of engineering evaluation. Typical values are for information only and are not part of the testing requirements

⁽¹⁾ Pin 7 open

CURRENT TRANSFER RATIO

PARAMETER	TEST CONDITION	SYMBOL	MIN.	TYP.	MAX.	UNIT
Current transfer ratio ⁽¹⁾	$I_F = 0.5 \text{ mA}, V_O = 0.4 \text{ V}, V_{CC} = 4.5 \text{ V}$	CTR	400	1600	-	%
	$I_F = 1.6 \text{ mA}, V_O = 0.4 \text{ V}, V_{CC} = 4.5 \text{ V}$	CTR	500	2000	-	%

Notes

⁽¹⁾ Pin 7 open

SAFETY AND INSULATION RATINGS ($T_{amb} = 25 \text{ }^\circ\text{C}$, unless otherwise specified)

PARAMETER	TEST CONDITION	SYMBOL	VALUE	UNIT
Climatic classification	According to IEC 68 part 1		55 / 100 / 21	
Comparative tracking index	Insulation group IIIa	CTI	175	
Maximum rated withstanding isolation voltage	According to UL 1577, $t = 1 \text{ min}$	V_{ISO}	5300	V_{RMS}
Maximum transient isolation voltage	According to DIN EN 60747-5-5	V_{IOTM}	8000	V_{peak}
Maximum repetitive peak isolation voltage	According to DIN EN 60747-5-5	V_{IORM}	890	V_{peak}
Isolation resistance	$T_{amb} = 25 \text{ }^\circ\text{C}, V_{IO} = 500 \text{ V}$	R_{IO}	$\geq 10^{12}$	Ω
	$T_{amb} = 100 \text{ }^\circ\text{C}, V_{IO} = 500 \text{ V}$	R_{IO}	$\geq 10^{11}$	Ω
Output safety power		P_{SO}	500	mW
Input safety current		I_{SI}	300	mA
Input safety temperature		T_S	175	$^\circ\text{C}$
Creepage distance	DIP-8		≥ 7	mm
Clearance distance			≥ 7	mm
Creepage distance	SMD-8, option 7, SMD-8, option 9		≥ 8	mm
Clearance distance			≥ 8	mm
Insulation thickness		DTI	≥ 0.4	mm

Note

- As per IEC 60747-5-5, § 7.4.3.8.2, this optocoupler is suitable for "safe electrical insulation" only within the safety ratings. Compliance with the safety ratings shall be ensured by means of protective circuits

SWITCHING CHARACTERISTICS

PARAMETER	TEST CONDITION	SYMBOL	MIN.	TYP.	MAX.	UNIT
Propagation delay time to logic low at output	$I_F = 0.5 \text{ mA}, R_L = 4.7 \text{ k}\Omega$	t_{PHL}	-	6	25	μs
	$I_F = 12 \text{ mA}, R_L = 270 \Omega$	t_{PHL}	-	0.6	1	μs
Propagation delay time to logic high at output	$I_F = 0.5 \text{ mA}, R_L = 4.7 \text{ k}\Omega$	t_{PLH}	-	4	60	μs
Propagation delay time to logic high at output	$I_F = 12 \text{ mA}, R_L = 270 \Omega$	t_{PLH}	-	1.5	7	μs

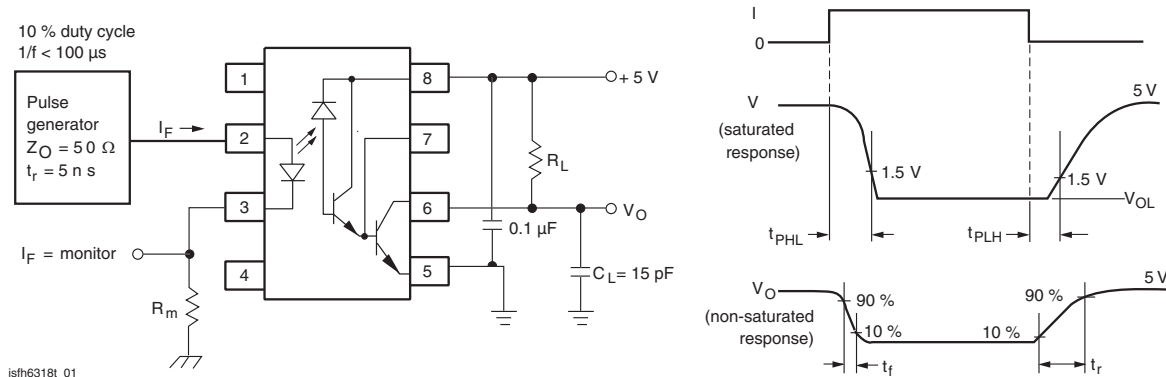


Fig. 1 - Switching Test Circuit

COMMON MODE TRANSIENT IMMUNITY						
PARAMETER	TEST CONDITION	SYMBOL	MIN.	TYP.	MAX.	UNIT
Common mode transient immunity, logic high level output ⁽¹⁾	$I_F = 0 \text{ mA}$, $R_L = 2.2 \text{ k}\Omega$, $R_{CC} = 0$, $ V_{CM} = 10 \text{ V}_{P-P}$	$ CM_H $	-	500	-	V/ μs
Common mode transient immunity, logic low level output ⁽¹⁾	$I_F = 16 \text{ mA}$, $R_L = 2.2 \text{ k}\Omega$, $R_{CC} = 0$, $ V_{CM} = 10 \text{ V}_{P-P}$	$ CM_L $	-	- 500	-	V/ μs

Note

⁽¹⁾ In applications where dV/dt may exceed 50 000 V/ μs (such as state discharge) a series resistor, R_{CC} should be included to protect I_C from destructively high surge currents. The recommend value is $R_{CC} \equiv [(1 \text{ V})/(0.15 I_F \text{ (mA)})] \text{ k}\Omega$

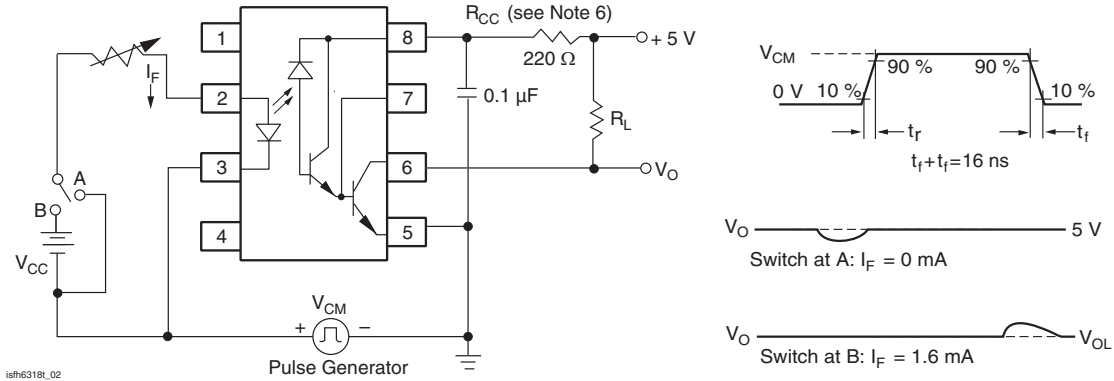


Fig. 2 - Test Circuit for Transient Immunity and Typical Waveforms

TYPICAL CHARACTERISTICS ($T_{amb} = 25 \text{ }^\circ\text{C}$, unless otherwise specified)



Fig. 2 - Permissible Forward LED Current vs. Temperature

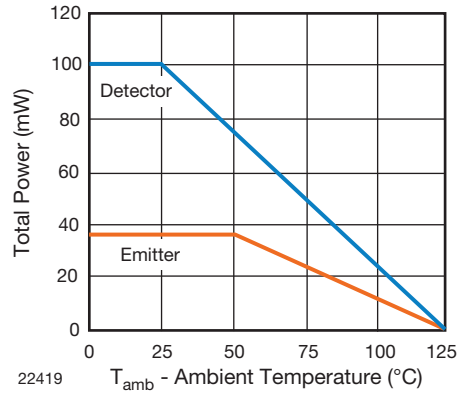


Fig. 3 - Permissible Power Dissipation vs. Temperature



PACKAGE DIMENSIONS (in millimeters)

DIP-8



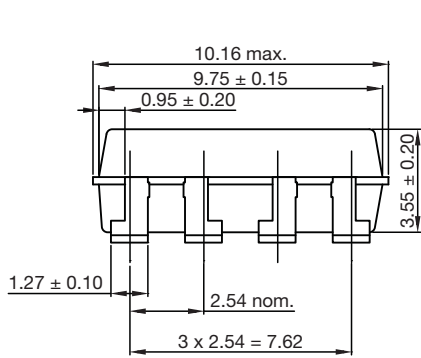
22672

SMD-8, Option 7



22674

SMD-8, Option 9



22675

PACKAGE MARKING

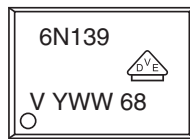


Fig. 3 - Example of 6N139-X017T

Note

- VDE logo is only marked on option 1 parts
- Tape and reel suffix (T) is not part of the package marking

PACKING INFORMATION (in millimeters)

Tube

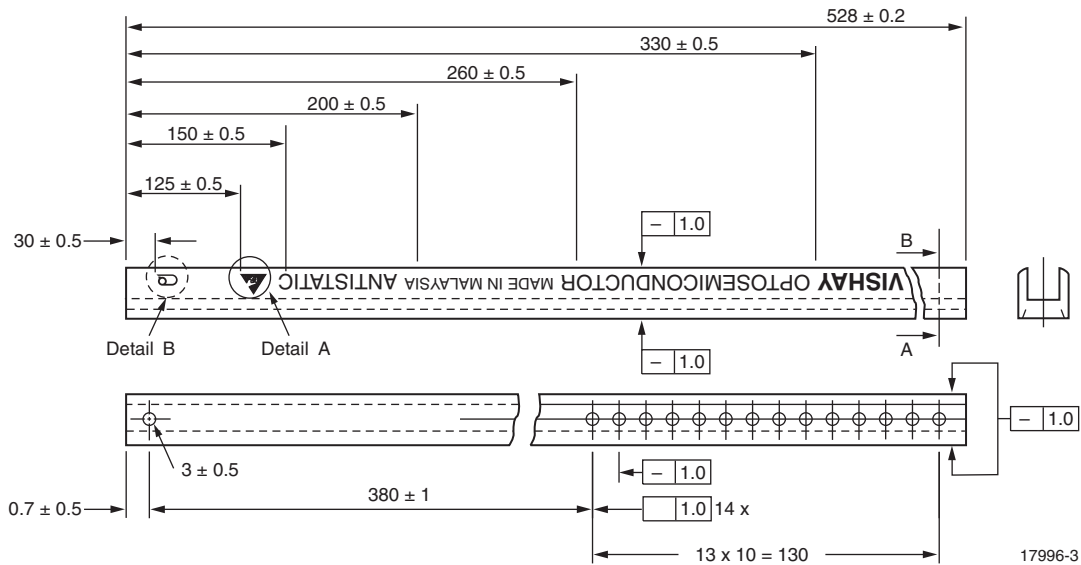


Fig. 4 - Shipping Tube Specifications for DIP-8 Packages

DEVICES PER TUBS			
TYPE	UNITS/TUBE	TUBES/BOX	UNITS/BOX
DIP-8	50	40	2000

DIP-8



Fig. 5 - Tube Shipping Medium

Tape and Reel

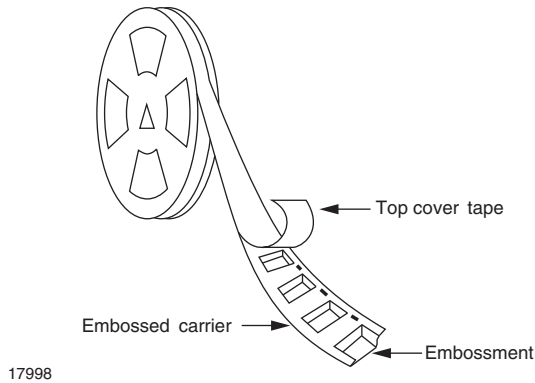


Fig. 6 - Tape and Reel Shipping Medium

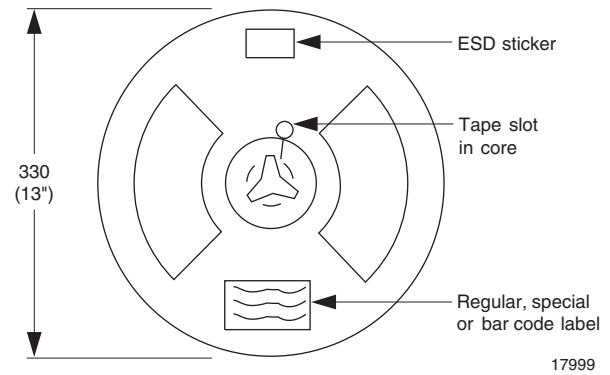


Fig. 7 - Tape and Reel Shipping Medium

SMD-8 (option 7)



Fig. 8 - Tape and Reel Packing (1000 pieces on Reel)

SMD-8 (option 9)

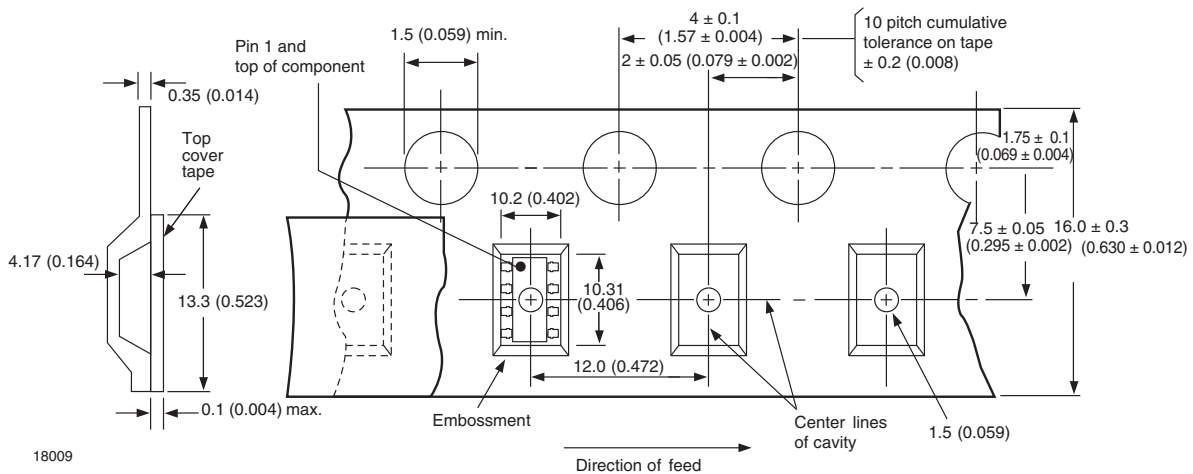


Fig. 9 - Tape and Reel Shipping Medium

SOLDER PROFILES



948626

Fig. 10 - Wave Soldering Double Wave Profile According to J-STD-020 for DIP-8 Devices



19841

Fig. 11 - Lead (Pb)-free Reflow Solder Profile According to J-STD-020 for SMD-8 Devices

HANDLING AND STORAGE CONDITIONS

ESD level: HBM class 2

Floor life: unlimited

Conditions: $T_{amb} < 30\text{ °C}$, RH < 85 %

Moisture sensitivity level 1, according to J-STD-020



Disclaimer

ALL PRODUCT, PRODUCT SPECIFICATIONS AND DATA ARE SUBJECT TO CHANGE WITHOUT NOTICE TO IMPROVE RELIABILITY, FUNCTION OR DESIGN OR OTHERWISE.

Vishay Intertechnology, Inc., its affiliates, agents, and employees, and all persons acting on its or their behalf (collectively, "Vishay"), disclaim any and all liability for any errors, inaccuracies or incompleteness contained in any datasheet or in any other disclosure relating to any product.

Vishay makes no warranty, representation or guarantee regarding the suitability of the products for any particular purpose or the continuing production of any product. To the maximum extent permitted by applicable law, Vishay disclaims (i) any and all liability arising out of the application or use of any product, (ii) any and all liability, including without limitation special, consequential or incidental damages, and (iii) any and all implied warranties, including warranties of fitness for particular purpose, non-infringement and merchantability.

Statements regarding the suitability of products for certain types of applications are based on Vishay's knowledge of typical requirements that are often placed on Vishay products in generic applications. Such statements are not binding statements about the suitability of products for a particular application. It is the customer's responsibility to validate that a particular product with the properties described in the product specification is suitable for use in a particular application. Parameters provided in datasheets and / or specifications may vary in different applications and performance may vary over time. All operating parameters, including typical parameters, must be validated for each customer application by the customer's technical experts. Product specifications do not expand or otherwise modify Vishay's terms and conditions of purchase, including but not limited to the warranty expressed therein.

Except as expressly indicated in writing, Vishay products are not designed for use in medical, life-saving, or life-sustaining applications or for any other application in which the failure of the Vishay product could result in personal injury or death. Customers using or selling Vishay products not expressly indicated for use in such applications do so at their own risk. Please contact authorized Vishay personnel to obtain written terms and conditions regarding products designed for such applications.

No license, express or implied, by estoppel or otherwise, to any intellectual property rights is granted by this document or by any conduct of Vishay. Product names and markings noted herein may be trademarks of their respective owners.

Компания «Life Electronics» занимается поставками электронных компонентов импортного и отечественного производства от производителей и со складов крупных дистрибьюторов Европы, Америки и Азии.

С конца 2013 года компания активно расширяет линейку поставок компонентов по направлению коаксиальный кабель, кварцевые генераторы и конденсаторы (керамические, пленочные, электролитические), за счёт заключения дистрибьюторских договоров

Мы предлагаем:

- Конкурентоспособные цены и скидки постоянным клиентам.
- Специальные условия для постоянных клиентов.
- Подбор аналогов.
- Поставку компонентов в любых объемах, удовлетворяющих вашим потребностям.
- Приемлемые сроки поставки, возможна ускоренная поставка.
- Доставку товара в любую точку России и стран СНГ.
- Комплексную поставку.
- Работу по проектам и поставку образцов.
- Формирование склада под заказчика.
- Сертификаты соответствия на поставляемую продукцию (по желанию клиента).
- Тестирование поставляемой продукции.
- Поставку компонентов, требующих военную и космическую приемку.
- Входной контроль качества.
- Наличие сертификата ISO.

В составе нашей компании организован Конструкторский отдел, призванный помогать разработчикам, и инженерам.

Конструкторский отдел помогает осуществить:

- Регистрацию проекта у производителя компонентов.
- Техническую поддержку проекта.
- Защиту от снятия компонента с производства.
- Оценку стоимости проекта по компонентам.
- Изготовление тестовой платы монтаж и пусконаладочные работы.



Тел: +7 (812) 336 43 04 (многоканальный)

Email: org@lifeelectronics.ru