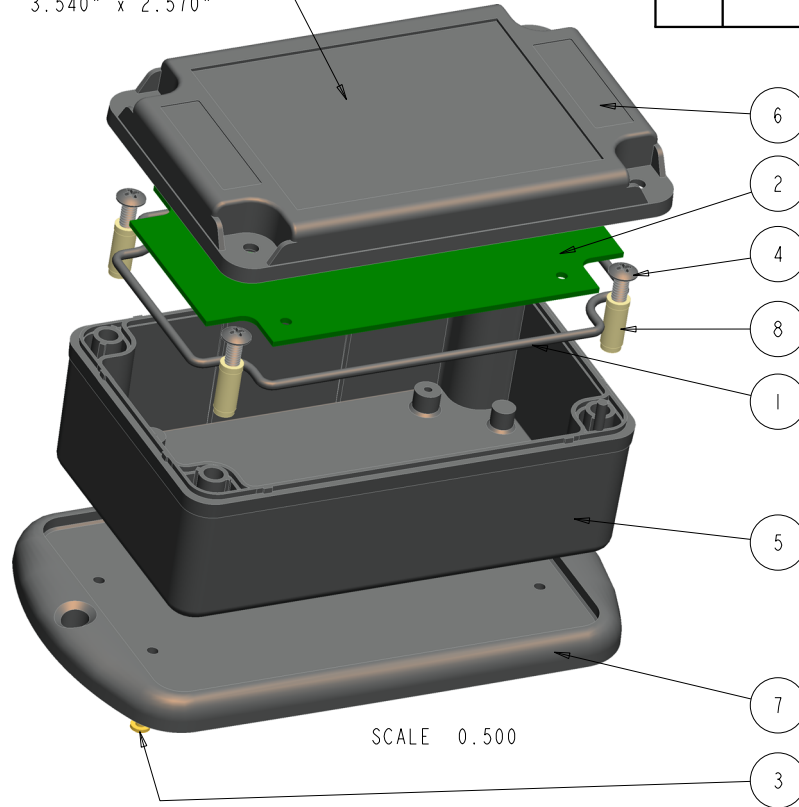


| 523322(x) CONFIGURATIONS | | | |
|--------------------------|--------|-----|-----|
| | -Blank | -WP | -OR |
| S523322 COVER | I | | |
| S523322 BASE | I | | |
| S523322 WALL BASE | | I | |
| S523322 O-RING | | | I |
| 8-32 MACHINE SCREWS | 4 | | |
| #4 HiLo SCREW .375" | | 4 | |

| REVISION | | | | | |
|----------|----------|--------|-------------------------------------|-----------|----------|
| REV. | DRAWN BY | ECO No | DESCRIPTION | DATE | APPROVED |
| 1 | M BOYER | | PRELIMINARY RELEASE | 11-Dec-08 | D.C. |
| 2 | M BOYER | 0209 | CHANGE PART NUMBER | 27-Jan-09 | D.C. |
| 3 | M BOYER | 2409 | ADD BEAUTY RING AROUND PERIMETER | 28-Apr-09 | D.C. |
| 4 | M BOYER | 2609 | INCREASE O-RING DIAMETER | 18-May-09 | D.C. |
| 5 | M BOYER | 3609 | ADD CONFIG AND OVERMOLD PEM INSERTS | 02-Sep-09 | D.C. |
| 6 | M BOYER | 3709 | ADD FLOW RIBS AROUND PEM INSERTS | 23-Oct-09 | D.C. |
| 7 | M BOYER | 4409 | UPDATE NOTES | 18-Nov-09 | D.C. |

LABEL RECESS AREA
RECOMMENDED LABEL SIZE
3.540" x 2.570"

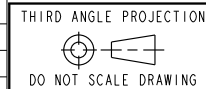


NOTES: UNLESS OTHERWISE SPECIFIED

- CORNERS DRAWN SHARP TO BE R.005 MAXIMUM.
- EXTERIOR SURFACE TEXTURE TO BE LIGHT EDM FINISH. EQUIVELANT TO MT-11020.
- INTERIOR SURFACE TEXTURE TO BE FINE MATTE FINISH.
- ALL INSIDE RADIUS .010R, ALL OUTSIDE RADIUS .020R MAX, UNLESS OTHERWISE SPECIFIED.
- ALL EXTERNAL DIMENSIONS AFFECTED BY THE DRAFT APPLY AT THE LARGE END OF THE FEATURE, AND ALL INTERNAL FEATURES AFFECTED BY THE DRAFT APPLY AT THE SMALL END OF THE FEATURE UNLESS OTHERWISE SPECIFIED.
- 1 DEGREE DRAFT IN THE DIRECTION OF PULL IS PERMISSIBLE UNLESS OTHERWISE SPECIFIED.
- MATERIAL / COLOR: ASA PLASTIC IS STANDARD, IN BLACK OR WHITE. CUSTOM MATERIALS AND COLORS ARE AVAILABLE UPON REQUEST.
- PCB SIZES ARE RECOMMENDATIONS ONLY. FINAL SIZES AND VERIFICATION OF IT'S FIT ARE THE SOLE RESPONSIBILITY OF EACH OWNER.
- STANDARD OR CUSTOM LABEL RECESSES ARE AVAILABLE.
- ASSEMBLY HARDWARE PROVIDED.
- OPERATING TEMPERATURE RANGE OF ENCLOSURE IS: -40°F to +180°F
- THIS ENCLOSURE IS CONSTRUCTED FOR INDOOR OR OUTDOOR USE TO PROVIDE A DEGREE OF PROTECTION TO THE EQUIPMENT INSIDE AGAINST THE INGRESS OF SOLID FOREIGN OBJECTS (FALLING DIRT); AND TO PROVIDE A DEGREE OF PROTECTION WITH RESPECT TO HARMFUL EFFECTS ON THE EQUIPMENT DUE TO THE INGRESS OF WATER (DRIPPING AND SPLASHING).

| ITEM | FILE NAME | DESCRIPTION | MATERIAL | COLOR | QTY. |
|------|-----------------|------------------------------|---------------------|--------------------|------|
| 8 | PEM-INSERT_8-32 | PEM THREADED INSERT - BRASS | STKB-832-24 | OVERMOLDED | 4 |
| 7 | 523322_WALL | 523322 WALL PLATE - STANDARD | ASA | BLACK | 1 |
| 6 | 523322_COVER | 523322 COVER - STANDARD | ASA | BLACK | 1 |
| 5 | 523322_BASE | 523322 BASE - STANDARD | ASA | BLACK | 1 |
| 4 | 8-32_MACH_SCREW | 8-32 MACHINE SCREW | 8x32x.500 | .50" LONG | 4 |
| 3 | NO_4_3-8_SCREW | #4 HiLo SCREW | #4 HiLo ZINK PLATED | .375" LONG | 4 |
| 2 | 523322_PCB | REFERENCE ONLY - PCB | CUSTOMER SUPPLIED | .062" THICK | 1 |
| 1 | 523322_ORING | 523322 ORING | TPE G7930 | 30 SHORE - A SCALE | 1 |

BILL OF MATERIALS



TOLERANCES: UNLESS OTHERWISE SPECIFIED
DIMENSIONS ARE IN U.S. INCHES.
X.XX = .010 X.XXXX = .001
X.XXX = .005 X.X" = 1"

NEW AGE ENCLOSURES

CUSTOMER Part No# XXX

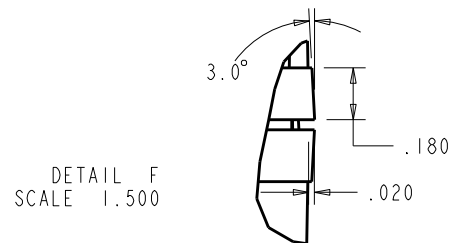
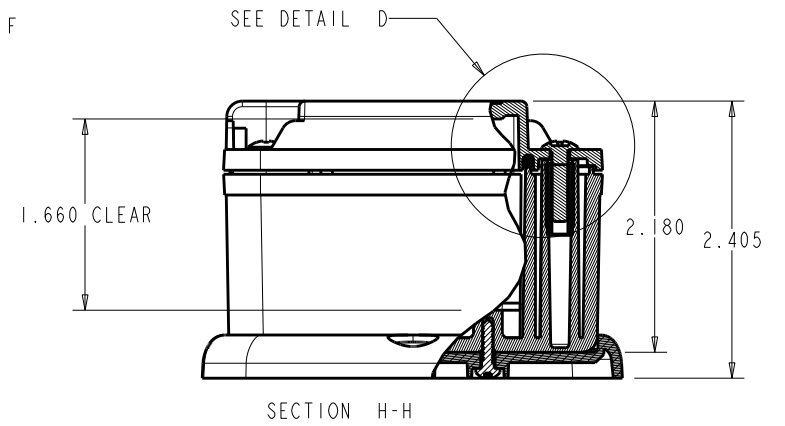
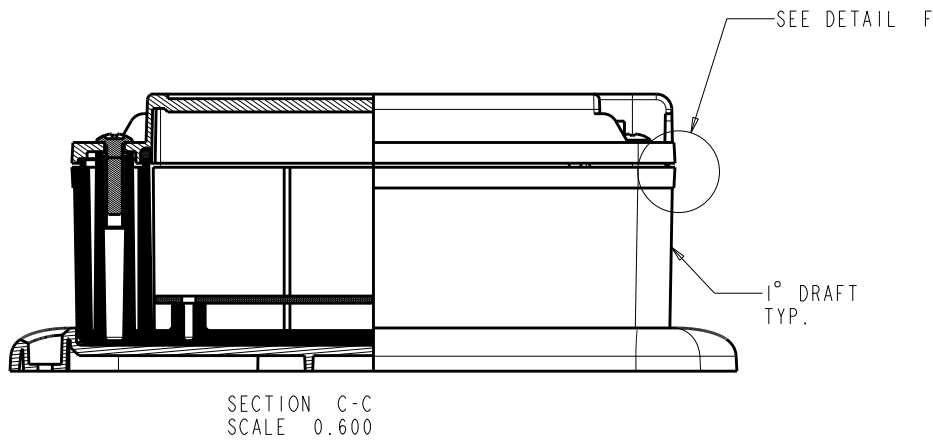
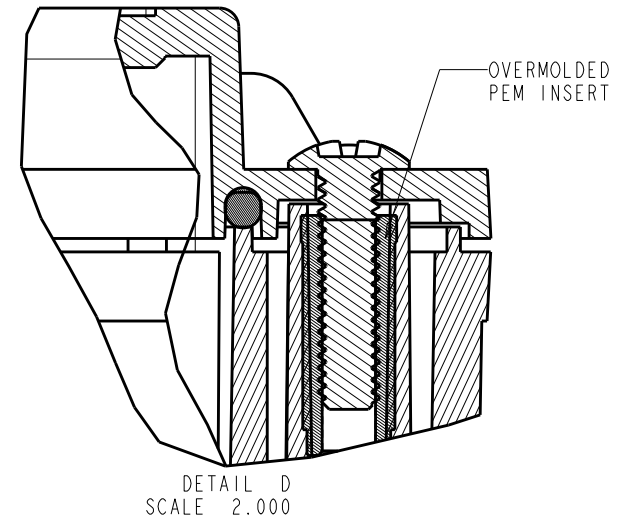
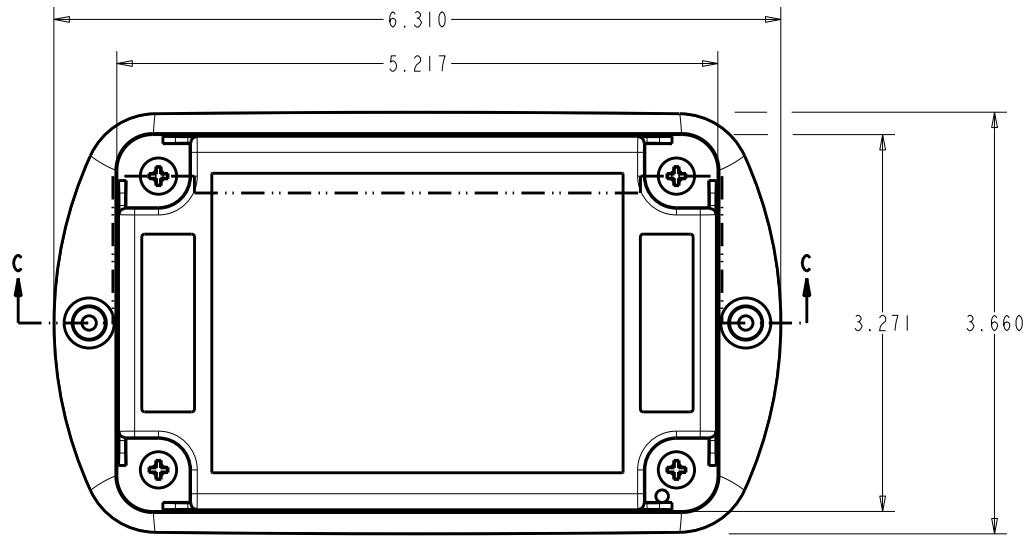
NEW AGE ENCLOSURES
a division of ALLTEC Inc.
4330 Santa Fe Road, Ste B San Luis Obispo, CA 93401
ph. (805) 595-1310 fax (805) 595-1024
www.newageenclosures.com

NOTICE: THE INFORMATION AND DATA CONTAINED HEREIN IS CONSIDERED PROPRIETARY TO ALLTEC INTEGRATED MFG INC & SHALL REMAIN THE EXCLUSIVE PROPERTY OF ALLTEC INTEGRATED MFG INC. THE HOLDER WILL ASSUME CUSTODY AND CONTROL THAT THIS DOCUMENT WILL NOT BE COPIED, REPRODUCED, OR DISCLOSED WITHOUT THE EXPRESS WRITTEN CONSENT OF ALLTEC INTEGRATED MFG INC. POSSESSION OF THIS DOCUMENT DOES NOT CONSTITUTE A GRANT TO MANUFACTURE ANY ITEMS.
© 2008

| | | |
|----------|-----------|------|
| APPROVAL | BY | DATE |
| CHECK | | |
| ENG. | | |
| SCALE | | |
| DRAWN BY | 11-Dec-08 | |
| M BOYER | | |

**STANDARD - OUTDOOR UTILITY
SXX-523322 ASSEMBLY**

| | | | |
|------|--------------|--------|-----|
| SIZE | DRAWING NAME | SHEET | REV |
| A | 523322_R7 | 1 OF 8 | 7 |



TOLERANCES: UNLESS OTHERWISE SPECIFIED
DIMENSIONS ARE IN U.S. INCHES.
X.XX = .010 X.XXXX = .001
X.XXX = .005 X.X° = 1°

NEW AGE ENCLOSURES

APPROVAL _____ BY _____ DATE _____
CHECK _____
ENG. _____
SCALE _____

DRAWN BY **M BOYER** 11-Dec-08

NEW AGE ENCLOSURES

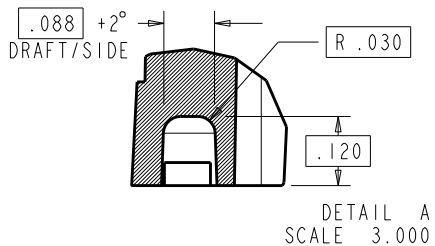
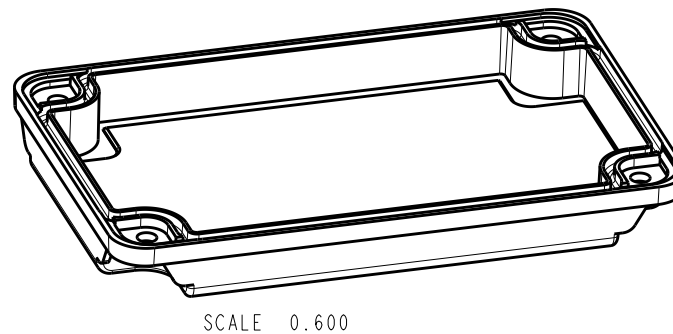
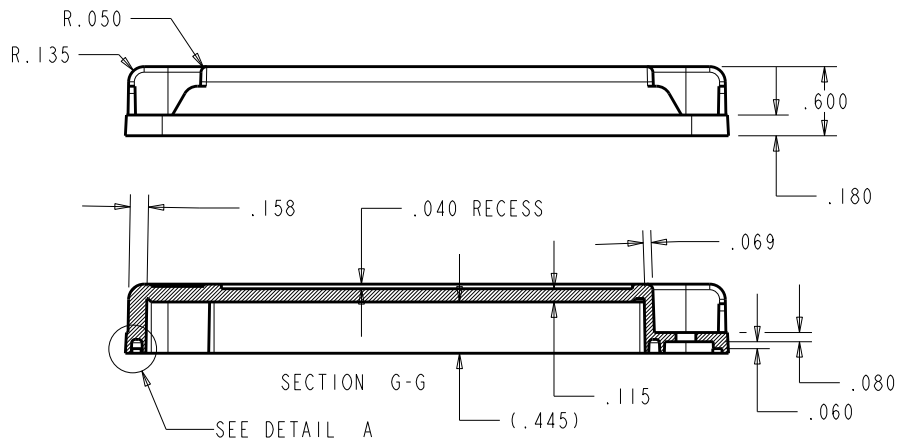
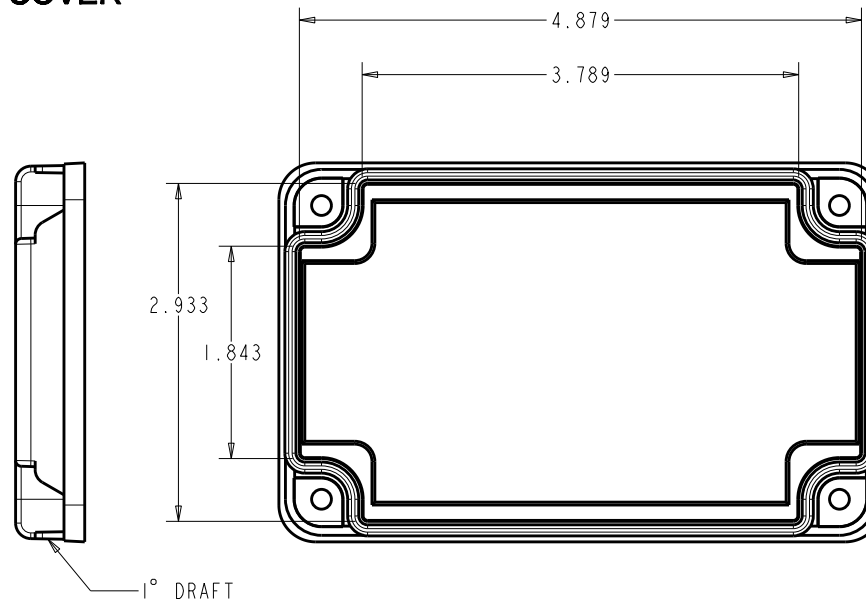
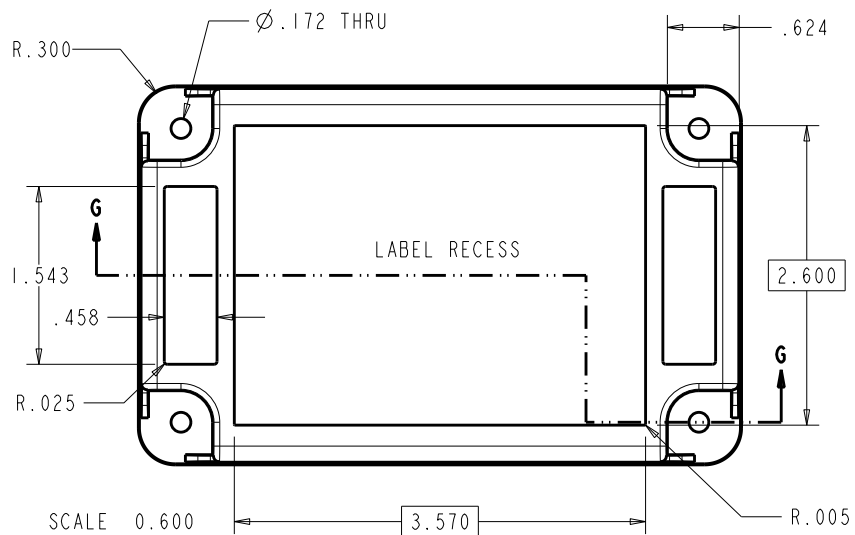
a division of **ALLTEC Inc.**
4330 Santa Fe Road, Ste B San Luis Obispo, CA. 93401
ph. (805) 595-1310 fax (805) 595-1024
www.newageenclosures.com

**STANDARD - OUTDOOR UTILITY
SXX-523322 ASSEMBLY**

SIZE **A** DRAWING NAME **523322_R7**

SHEET **2 OF 8** REV **7**

523322 COVER



TOLERANCES: UNLESS OTHERWISE SPECIFIED
DIMENSIONS ARE IN U.S. INCHES.
X.XX = .010 X.XXXX = .001
X.XXX = .005 X.X° = 1°

NEW AGE ENCLOSURES

| | | |
|----------|----|------|
| APPROVAL | BY | DATE |
| CHECK | | |
| ENG. | | |
| SCALE | | |

DRAWN BY **M BOYER** 11-Dec-08

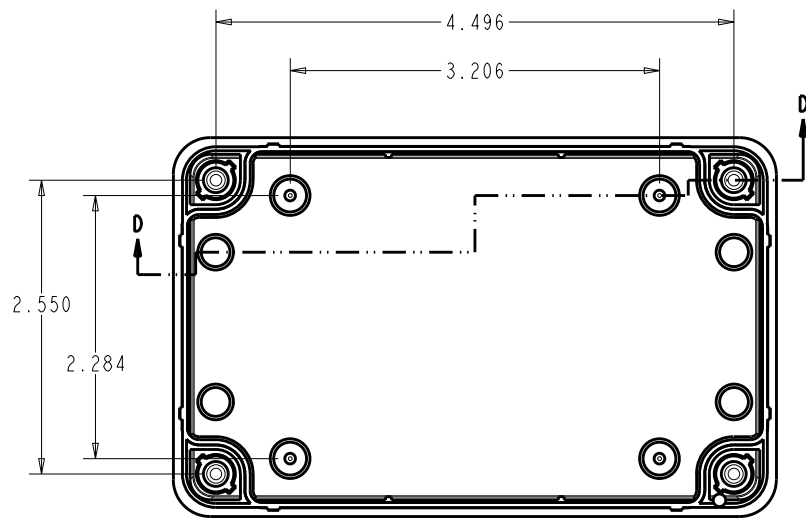
NEW AGE ENCLOSURES

a division of ALLTEC Inc.
4330 Santa Fe Road, Ste B San Luis Obispo, CA. 93401
ph. (805) 595-1310 fax (805) 595-1024
www.newageenclosures.com

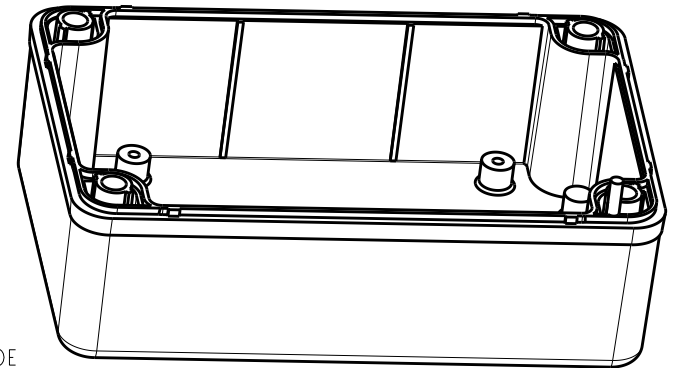
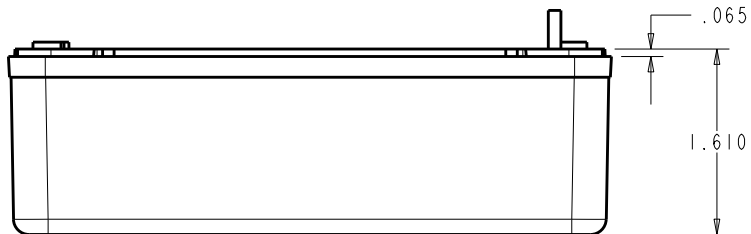
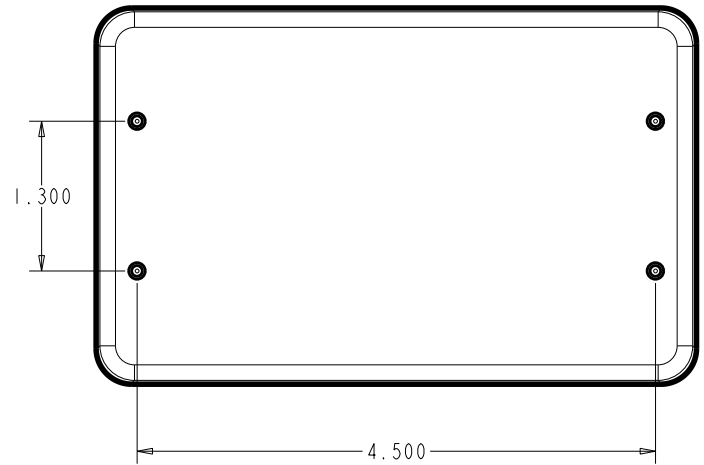
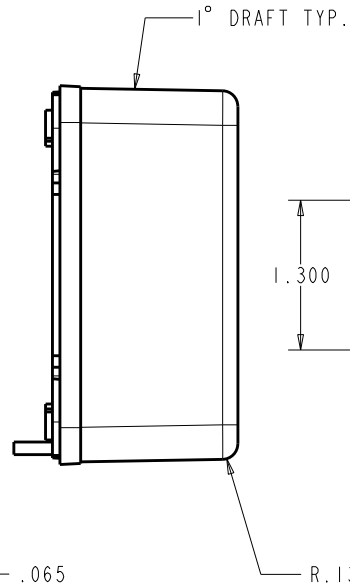
STANDARD - OUTDOOR UTILITY SXX-523322 ASSEMBLY

| | | | |
|---------------|-------------------------------|---------------------|--------------|
| SIZE A | DRAWING NAME 523322_R7 | SHEET 3 OF 8 | REV 7 |
|---------------|-------------------------------|---------------------|--------------|

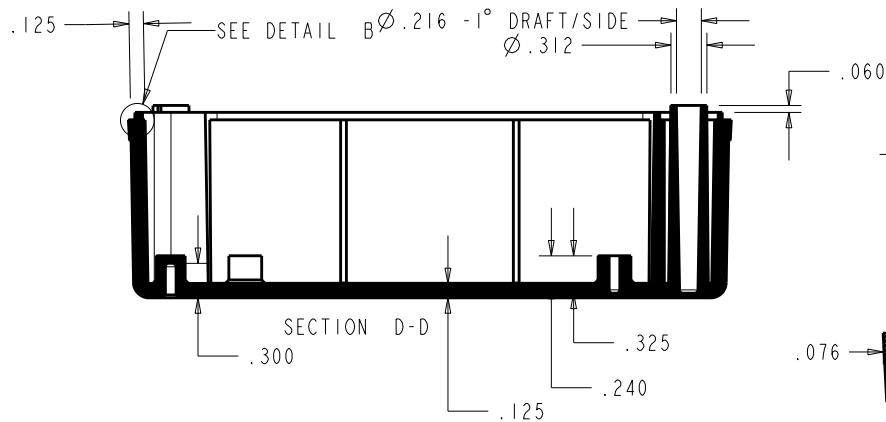
523322 BASE



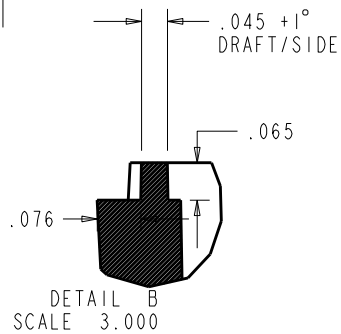
SCALE 0.600



SCALE 0.600



SECTION D-D



DETAIL B
SCALE 3.000

TOLERANCES: UNLESS OTHERWISE SPECIFIED
DIMENSIONS ARE IN U.S. INCHES.
X.XX = .010 X.XXXX = .001
X.XXX = .005 X.X° = 1°

NEW AGE ENCLOSURES

| | | |
|----------|----|------|
| APPROVAL | BY | DATE |
| CHECK | | |
| ENG. | | |
| SCALE | | |

DRAWN BY **M BOYER** 11-Dec-08

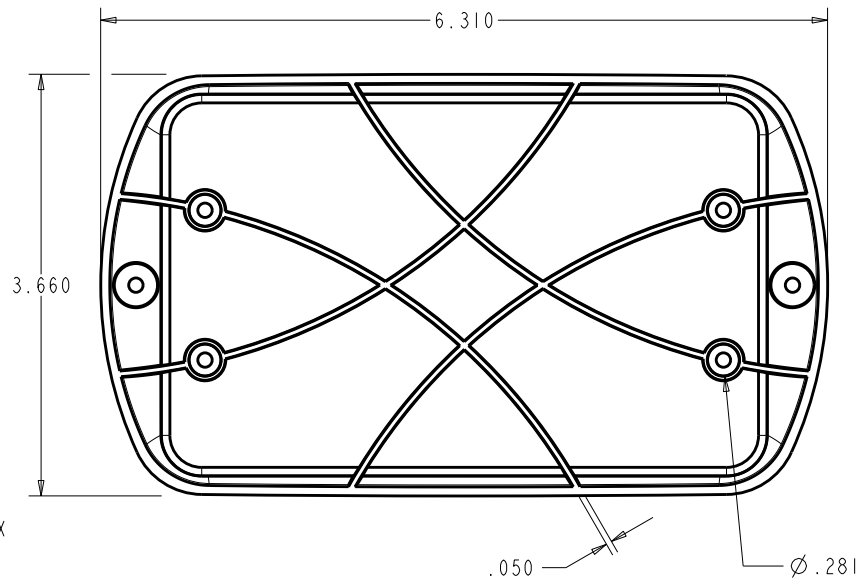
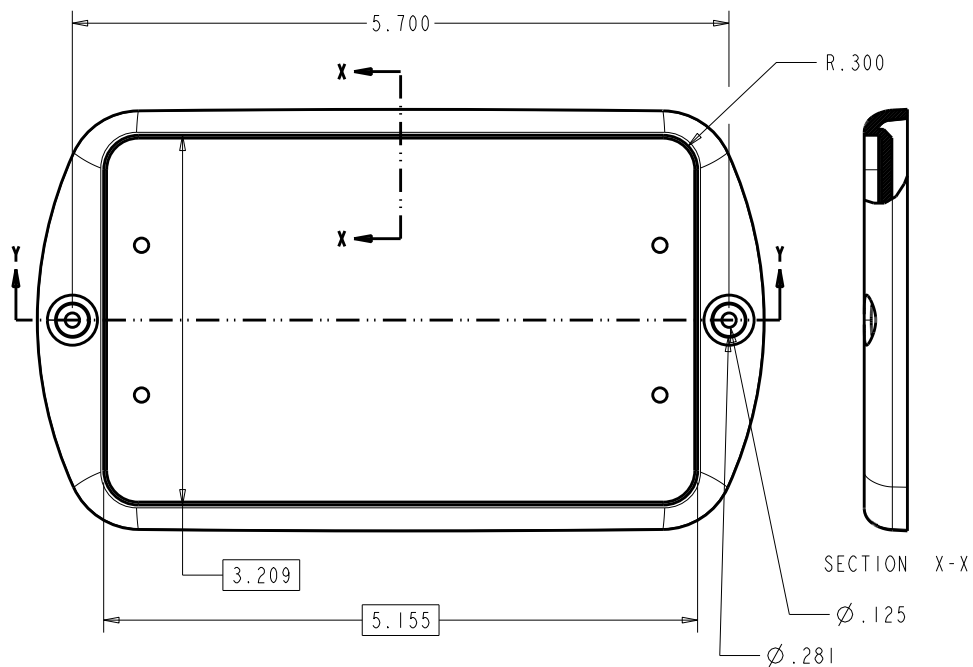
NEW AGE ENCLOSURES

a division of ALLTEC Inc.
4330 Santa Fe Road, Ste B San Luis Obispo, CA. 93401
ph. (805) 685-1310 fax (805) 685-1024
www.newageenclosures.com

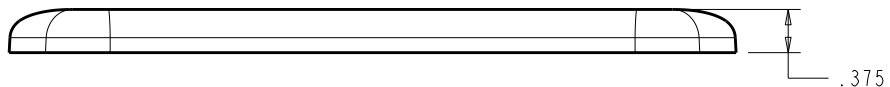
STANDARD - OUTDOOR UTILITY
SXX-523322 ASSEMBLY

| | | | |
|---------------|-------------------------------|---------------------|--------------|
| SIZE A | DRAWING NAME 523322_R7 | SHEET 4 OF 8 | REV 7 |
|---------------|-------------------------------|---------------------|--------------|

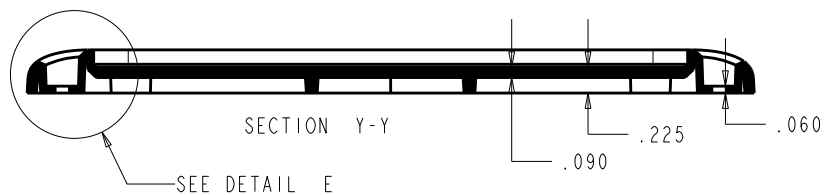
523322 WALL



SCALE 0.600



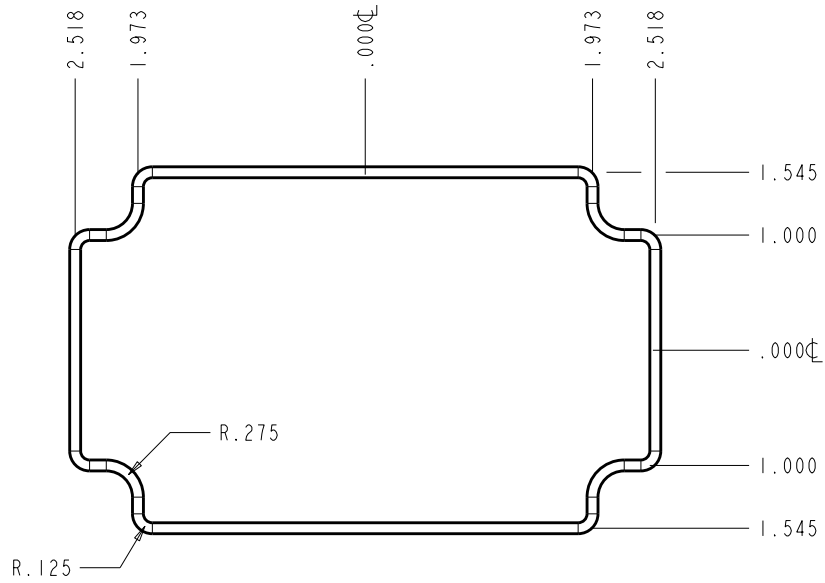
SCALE 0.600



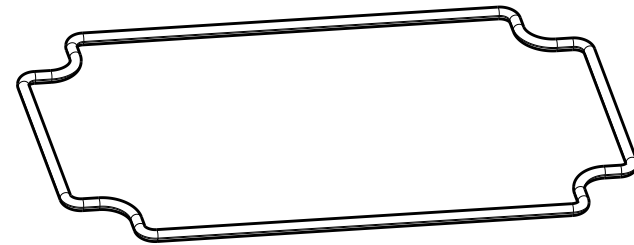
DETAIL E
SCALE 1.332

| | | | |
|---|----------------------|---|-------------------------------------|
| TOLERANCES: UNLESS OTHERWISE SPECIFIED DIMENSIONS ARE IN U.S. INCHES. X.XX = .010 X.XXXX = .001 X.XXX = .005 X.X° = 1° | | NEW AGE ENCLOSURES a division of ALLTEC Inc. 4330 Santa Fe Road, Ste B San Luis Obispo, CA. 93401 ph. (805) 685-1310 fax (805) 685-1024 www.newageenclosures.com | |
| NEW AGE ENCLOSURES | | STANDARD - OUTDOOR UTILITY SXX-523322 ASSEMBLY | |
| APPROVAL | BY | DATE | |
| CHECK | | | |
| ENG. | | | |
| SCALE | | | |
| DRAWN BY | M BOYER 11-Dec-08 | | SIZE A DRAWING NAME 523322_R7 |
| | | | SHEET 5 OF 8 REV 7 |

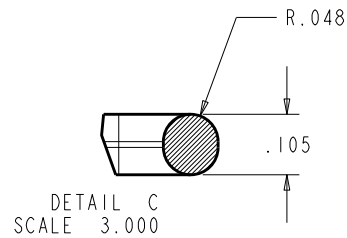
523322 O-RING



SCALE 0.600



SCALE 0.600



TOLERANCES: UNLESS OTHERWISE SPECIFIED
DIMENSIONS ARE IN U.S. INCHES.
X.XX = .010 X.XXXX = .001
X.XXX = .005 X.X° = 1°

NEW AGE ENCLOSURES

NEW AGE ENCLOSURES

a division of ALLTEC Inc.

4330 Santa Fe Road, Ste B San Luis Obispo, CA 93401
ph. (805) 585-1310 fax (805) 585-1024

www.newageenclosures.com

APPROVAL BY DATE
CHECK
ENG.
SCALE

STANDARD - OUTDOOR UTILITY
SXX-523322 ASSEMBLY

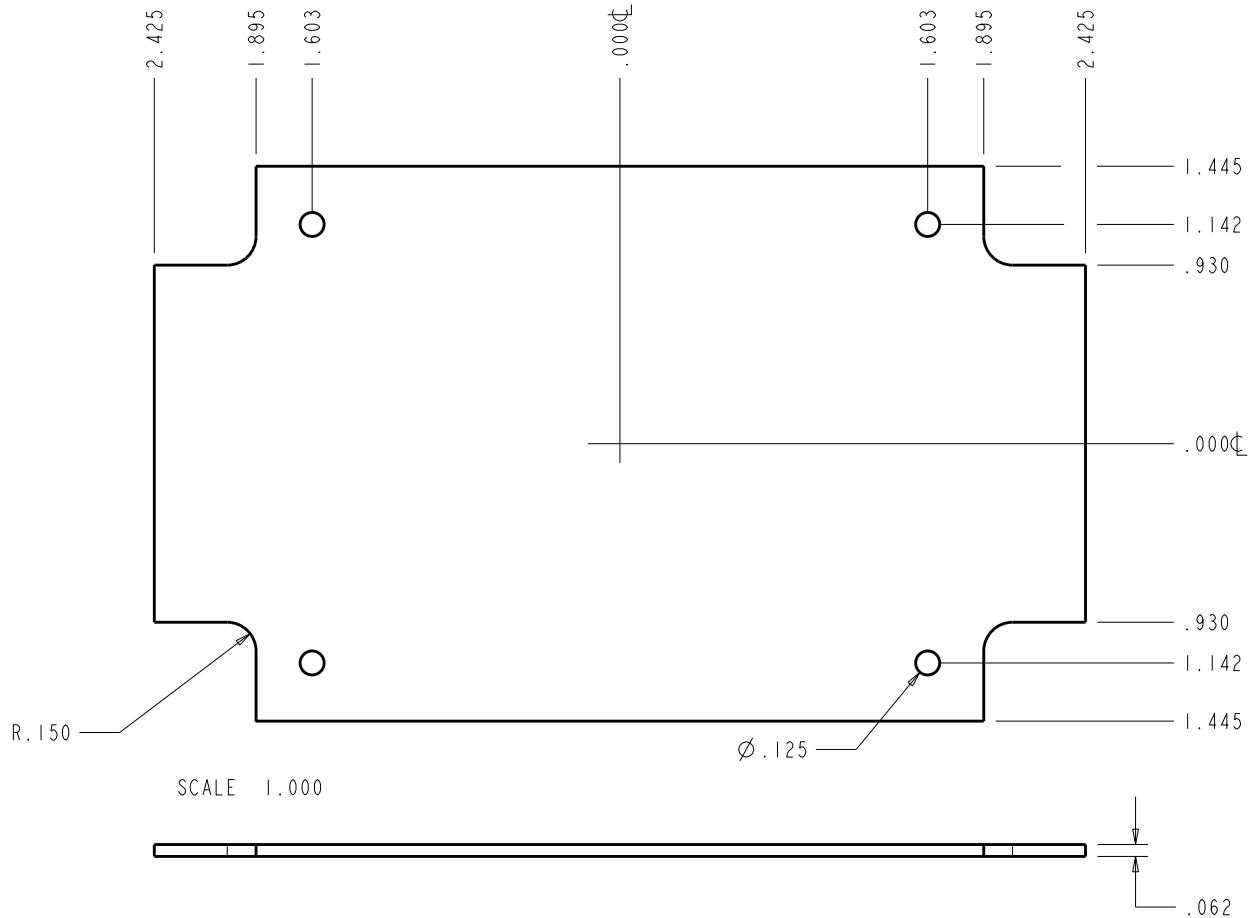
DRAWN BY M BOYER 11-Dec-08

SIZE A DRAWING NAME 523322_R7

SHEET 6 OF 8 REV 7

S523322 PCB - CUSTOMER SUPPLIED

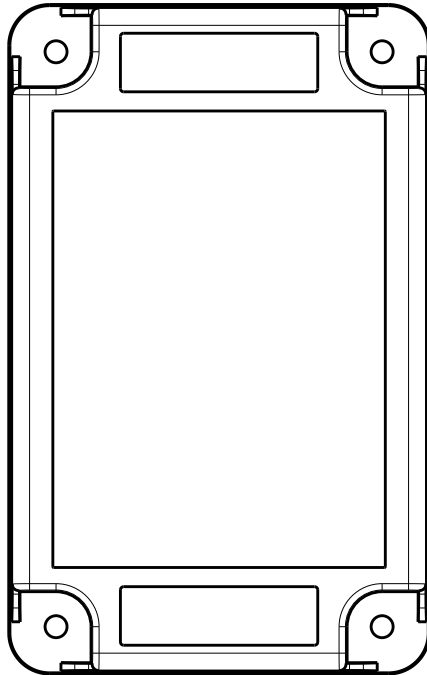
PCB SIZES ARE RECOMMENDATIONS ONLY. FINAL SIZES AND VERIFICATION OF IT'S FIT ARE THE SOLE RESPONSIBILITY OF THE OEM.



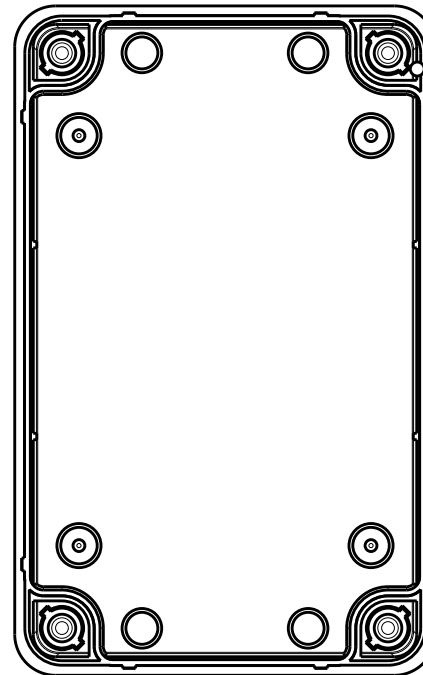
| | | | |
|---|------------------|--|------------------|
| TOLERANCES: UNLESS OTHERWISE SPECIFIED DIMENSIONS ARE IN U.S. INCHES. X.XX = .010 X.XXXX = .001 X.XXX = .005 X.X° = 1° | | NEW AGE ENCLOSURES a division of ALLTEC Inc. 4330 Santa Fe Road, Ste B San Luis Obispo, CA. 93401 ph. (805) 595-1310 fax (805) 595-1024 www.newageenclosures.com | |
| NEW AGE ENCLOSURES | | STANDARD - OUTDOOR UTILITY SXX-523322 ASSEMBLY | |
| APPROVAL | BY | DATE | |
| CHECK | | | |
| ENG. | | | |
| SCALE | | | |
| DRAWN BY | | SIZE | DRAWING NAME |
| M BOYER | 11-Dec-08 | A | 523322_R7 |
| | | SHEET | REV |
| | | 7 OF 8 | 7 |

2nd OPERATION DETAILS

NEW AGE ENCLOSURES DELIVERS YOUR ENCLOSURE MARKET-READY WITH IN-HOUSE
CNC MACHINING, PAD PRINTING, ASSEMBLY, AND FULFILLEMENT.
ALL SURFACES AND AREAS ARE AVAILABLE FOR CNC ALTERATION BY NEW AGE ENCLOSURES
CALL (805) 595-1310 FOR PRICING AND SCHEDULE.
THE INSIDE RADIUS OF ANY MACHINED FEATURES SHOULD BE NO SMALLER THAN .031"



523322 COVER
SCALE 0.666



523322 BASE
SCALE 0.666

SXX-523322-XXX COVER - ABS, BLACK

| STEP NO | DESCRIPTION | CUTTER | FIXTURE | ORIENTATION | PROGRAM |
|---------|-------------|---------------|---------|-------------|---------|
| 1 | - | T2 = .062" EM | - | - | - |
| 2 | - | T2 = .062" EM | - | - | - |
| 3 | - | T2 = .062" EM | - | - | - |

TOLERANCES: UNLESS OTHERWISE SPECIFIED
DIMENSIONS ARE IN U.S. INCHES.
X.XX = .015 X.XXXX = .001
X.XXX = .010 X.X° = 1°

NEW AGE ENCLOSURES

| | | |
|--------------------------|----|------|
| APPROVAL | BY | DATE |
| | | |
| CHECK | | |
| ENG. | | |
| SCALE | | |
| DRAWN BY | | |
| M BOYER 11-Dec-08 | | |

NEW AGE ENCLOSURES

a division of ALLTEC Inc.
4330 Santa Fe Road, Ste B San Luis Obispo, CA. 93401
ph. (805) 595-1310 fax (805) 595-1024
www.newageenclosures.com

**STANDARD - OUTDOOR UTILITY
SXX-523322 ASSEMBLY**

| | | | |
|----------|--------------|--------|-----|
| SIZE | DRAWING NAME | SHEET | REV |
| A | 523322_R7 | 8 OF 8 | 7 |

Mouser Electronics

Authorized Distributor

Click to View Pricing, Inventory, Delivery & Lifecycle Information:

New Age Enclosures:

[S1L-523322WP](#) [S3L-523322](#) [S3L-523322WP](#) [S-523322OR](#) [S1L-523322](#)

Компания «Life Electronics» занимается поставками электронных компонентов импортного и отечественного производства от производителей и со складов крупных дистрибьюторов Европы, Америки и Азии.

С конца 2013 года компания активно расширяет линейку поставок компонентов по направлению коаксиальный кабель, кварцевые генераторы и конденсаторы (керамические, пленочные, электролитические), за счёт заключения дистрибьюторских договоров

Мы предлагаем:

- Конкурентоспособные цены и скидки постоянным клиентам.
- Специальные условия для постоянных клиентов.
- Подбор аналогов.
- Поставку компонентов в любых объемах, удовлетворяющих вашим потребностям.
- Приемлемые сроки поставки, возможна ускоренная поставка.
- Доставку товара в любую точку России и стран СНГ.
- Комплексную поставку.
- Работу по проектам и поставку образцов.
- Формирование склада под заказчика.
- Сертификаты соответствия на поставляемую продукцию (по желанию клиента).
- Тестирование поставляемой продукции.
- Поставку компонентов, требующих военную и космическую приемку.
- Входной контроль качества.
- Наличие сертификата ISO.

В составе нашей компании организован Конструкторский отдел, призванный помогать разработчикам, и инженерам.

Конструкторский отдел помогает осуществить:

- Регистрацию проекта у производителя компонентов.
- Техническую поддержку проекта.
- Защиту от снятия компонента с производства.
- Оценку стоимости проекта по компонентам.
- Изготовление тестовой платы монтаж и пусконаладочные работы.



Тел: +7 (812) 336 43 04 (многоканальный)
Email: org@lifeelectronics.ru