



GENERAL DESCRIPTION

The SPX431L is a 3-terminal adjustable shunt voltage regulator providing a highly accurate bandgap reference. The SPX431L acts as an open-loop error amplifier with a 2.5V temperature compensation reference. The SPX431L's thermal stability, wide operating current (100mA) and temperature range (0°C to 105°C) makes it suitable for a variety of applications that require a low cost, high performance solution. SPX431L tolerance of 0.5% is proven to be sufficient to overcome all of the other errors in the system to virtually eliminate the need for trimming in the power supply manufacturer's assembly line and contribute a significant cost savings.

The output voltage may be adjusted to any value between VREF and 20V with two external resistors. The SPX431L is available in TO-92, and SOT-89 packages.

APPLICATIONS

- **Battery Operating Equipment**
- **Adjustable Supplies**
- **Switching Power Supplies**
- **Error Amplifiers**
- **Single Supply Amplifier**
- **Monitors / VCRs / TVs**
- **Personal Computers**

FEATURES

- **Tight Voltage Tolerance 0.5% at 10mA**
- **Wide Operating Current 1mA to 100mA**
- **Extended Temperature Range: 0°C to 105°C**
- **Low Temperature Coefficient 30 ppm/°C**
- **Improved Replacement in Performance for TL431 and AS431**
- **Low Cost Solution**

TYPICAL BLOCK DIAGRAM

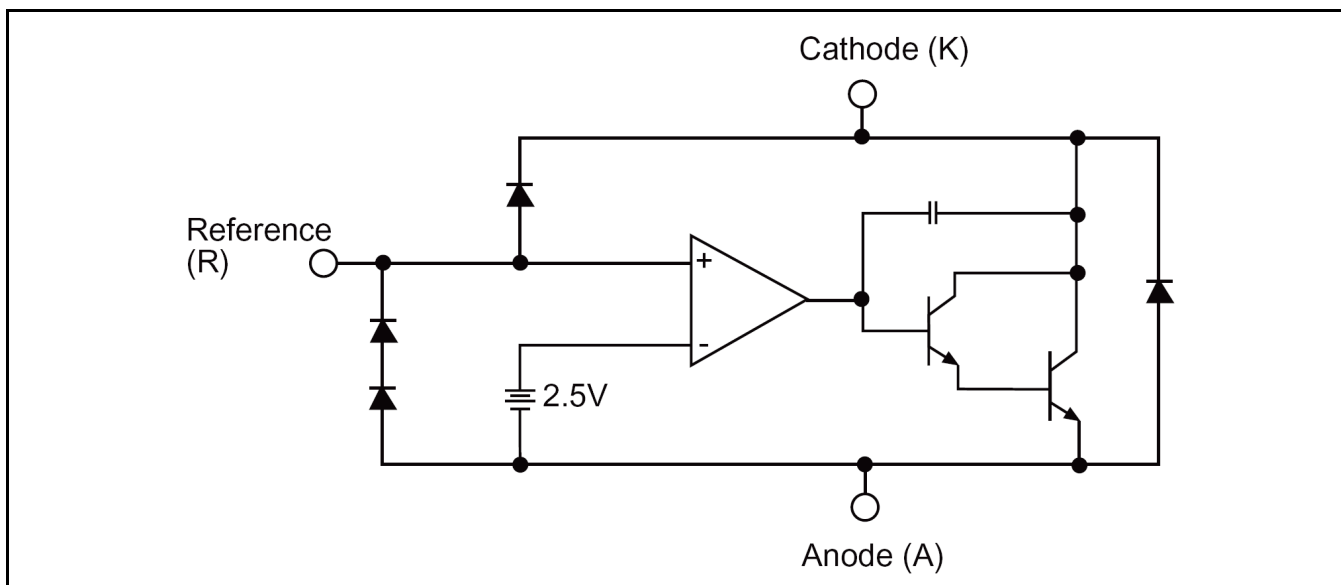


Fig. 1: SPX431L Precision Adjustable Shunt Regulator



A New Direction in Mixed-Signal

SPX431L

Precision Adjustable Shunt Regulator

ABSOLUTE MAXIMUM RATINGS

These are stress ratings only and functional operation of the device at these ratings or any other above those indicated in the operation sections of the specifications below is not implied. Exposure to absolute maximum rating conditions for extended periods of time may affect reliability.

Cathode-Anode Reverse Breakdown V_{KA}	20V
Anode-Cathode Forward Current, (<10ms) I_{AK}	1A
Operating Cathode Current I_{KA}	100mA
Reference Input Current I_{REF}	10mA
Continuous Power Dissipation at 25°C PD	
TO-92	775mW
SOT-89	1000mW
Storage Temperature T_{STG}	-65 to 150°C
Lead Temperature (Soldering 10 sec.) T_L	300°C

OPERATING RATINGS

Input Voltage Range V_{KA}	V_{REF} to 20V
Cathode Current I_K	10ma
Junction Temperature Range	150 °C
Thermal Resistance	
θ_{JA} (TO-92)	160°C/W
θ_{JC} (TO-92)	80°C/W
Typical Derating (TO-92)	6.3 mW/°C
θ_{JA} (SOT-89)	110°C/W
θ_{JC} (SOT-89)	8°C/W
Typical Derating (SOT-89)	9.1 mW/°C

ELECTRICAL SPECIFICATIONS

Specifications with standard type are for an Operating Junction Temperature of $T_A = 25^\circ\text{C}$ only; limits applying over the full Operating Junction Temperature range are denoted by a "•". Minimum and Maximum limits are guaranteed through test, design, or statistical correlation. Typical values represent the most likely parametric norm at $T_A = 25^\circ\text{C}$, and are provided for reference purposes only. Unless otherwise indicated, $I_K = 10\text{mA}$ $V_K = V_{REF}$.

Parameter	Min.	Typ.	Max.	Units	Conditions
SPX431LA					
Reference Voltage	2.490	2.503	2.515	V	
ΔV_{REF} with Temp. ¹		0.07	0.20	mV/°C	
Ratio of Change in V_{REF} to Cathode Voltage	-2.7 -2.0	-1.0 -0.4	0.3	mV/V	V_{REF} to 10V V_{REF} to 10V
Reference Input Current		0.7	4.0	μA	
I_{REF} Temp Deviation		0.4	1.2	μA	$T_J = 0^\circ\text{C}$ to 105°C
Min I_K for Regulation		0.4	1.0	mA	
Off State Leakage		0.04	1.0	μA	$V_{REF} = 0\text{V}$, $V_{KA} = 20\text{V}$
Dynamic Output Impedance		0.15	0.5	Ω	$f_z \leq 1\text{kHz}$ $I_K = 1$ to 100mA
SPX431L					
Reference Voltage	2.470	2.495	2.520	V	
ΔV_{REF} with Temp. ¹		0.07	0.20	mV/°C	
Ratio of Change in V_{REF} to Cathode Voltage	-2.7 -2.0	-1.0 -0.4	0.3	mV/V	V_{REF} to 10V V_{REF} to 10V
Reference Input Current		0.7	4.0	μA	
I_{REF} Temp Deviation		0.4	1.2	μA	$T_J = 0^\circ\text{C}$ to 105°C
Min I_K for Regulation		0.4	1.0	mA	
Off State Leakage		0.04	1.0	μA	$V_{REF} = 0\text{V}$, $V_{KA} = 20\text{V}$
Dynamic Output Impedance		0.15	0.5	Ω	$f_z \leq 1\text{kHz}$ $I_K = 1$ to 100mA
SPX431LC					
Reference Voltage	2.445	2.495	2.520	V	
ΔV_{REF} with Temp. ¹		0.07	0.20	mV/°C	
Ratio of Change in V_{REF} to Cathode Voltage	-2.7 -2.0	-1.0 -0.4	0.3	mV/V	V_{REF} to 10V V_{REF} to 10V
Reference Input Current		0.7	4.0	μA	
I_{REF} Temp Deviation		0.4	1.2	μA	$T_J = 0^\circ\text{C}$ to 105°C

Precision Adjustable Shunt Regulator

Parameter	Min.	Typ.	Max.	Units	Conditions
Min IK for Regulation		0.4	1.0	mA	
Off State Leakage		0.04	1.0	μA	VREF = 0V, VKA = 20V
Dynamic Output Impedance		0.15	0.5	Ω	fz ≤ 1kHz Ik = 1 to 100mA

Note 1: See appropriate test circuit (Figures 25, 26, 27)

PIN ASSIGNMENT

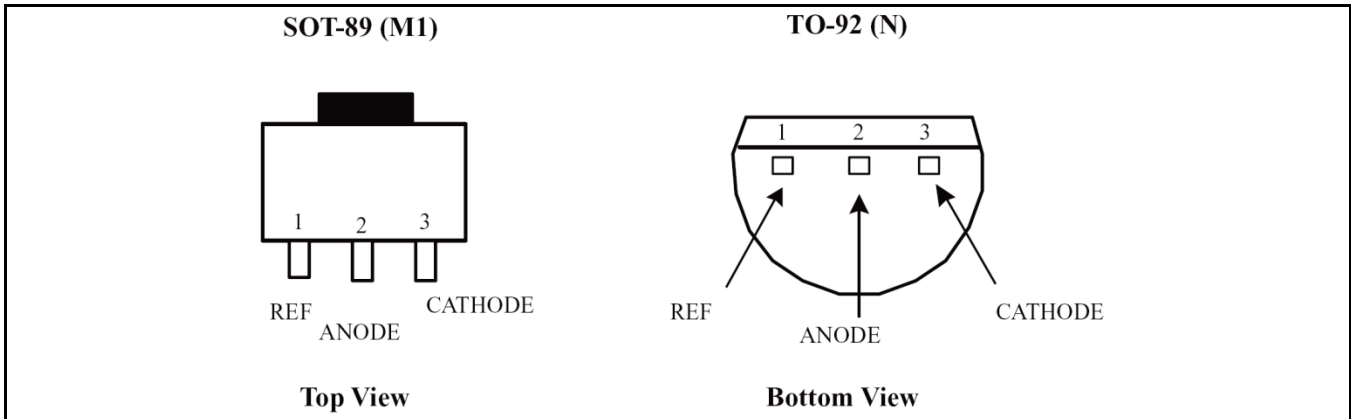


Fig. 2: SPX431L Pin Assignment

PIN DESCRIPTION

Name	Pin Number	Description
NAME	1	Reference
NAME	2	Anode
NAME	3	Cathode

ORDERING INFORMATION

Part Number	Temperature Range	Marking	Package	Packing Quantity	Note 1	Note 2
SPX431LAN-L	0°C to 105°C	Sipex 431LAN 25 YYWWLX	TO-92-3	Bulk	Halogen Free	2.503V 0.5% Acc
SPX431LAN-L/TR				Tape & Reel		
SPX431LM1-L	0°C to 105°C	P011 YWWXXX	SOT-89-3	Bulk	Halogen Free, bar on left side of marking denotes "-L" lead free product	2.495V 1.0% Acc
SPX431LM1-L/TR				Tape & Reel		
SPX431LN-L	0°C to 105°C	Sipex 431LN 25 YYWWLX	TO-92-3	Bulk	Halogen Free	2.495V 1.0% Acc
SPX431LN-L/TR				Tape & Reel		

"YY" = Year (Last 2 digits) - "Y" = Year (Last Digit)

"WW" = Work Week

"L" = Lead free designator

"X" = Lot Number (example AA234567) - "XXX" = Lot Number (example AA23456Z)

No bottom marking

TYPICAL PERFORMANCE CHARACTERISTICS

Schematic and BOM from Application Information section of this datasheet. Resistor values are chosen such that the effect to I_{REF} is negligible.

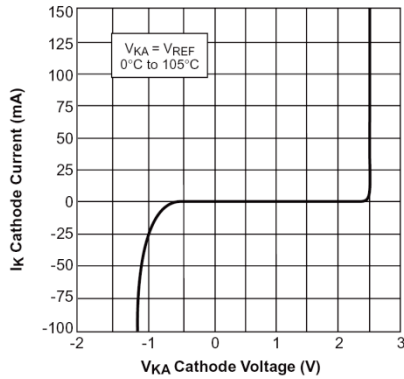


Fig. 3: High Current Operating Characteristics

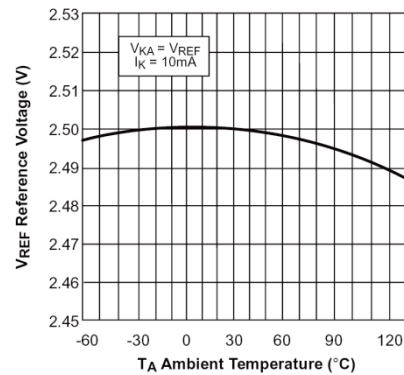


Fig. 4: Reference Voltage VS Ambient Temperature

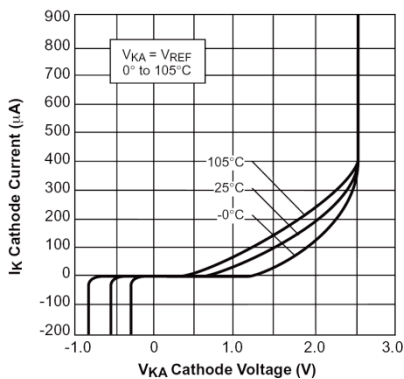


Fig. 5 Low Current Operating Characteristics.

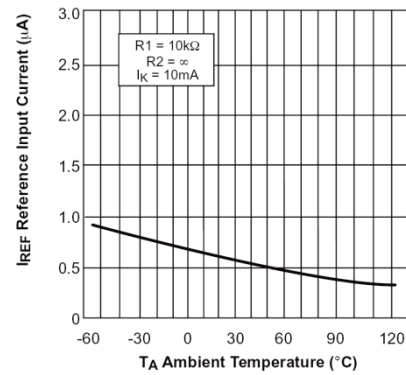


Fig. 6 Reference Input Current VS Ambient Temperature.

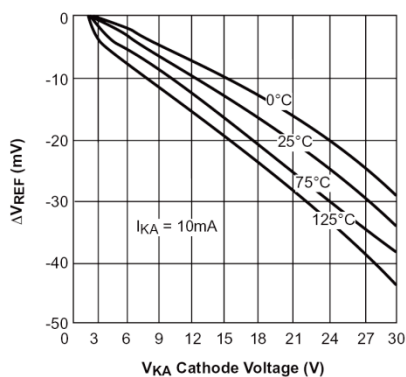


Fig. 7 Reference Voltage Line Regulation VS Cathode Voltage and $T_{AMBIENT}$

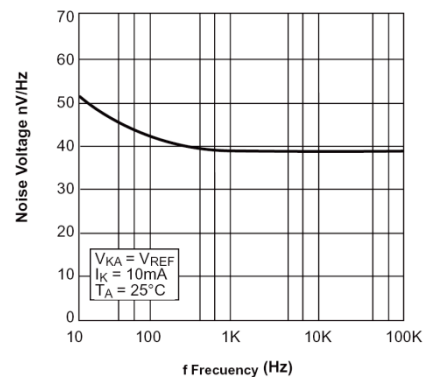


Fig. 8 Noise Voltage VS Frequency

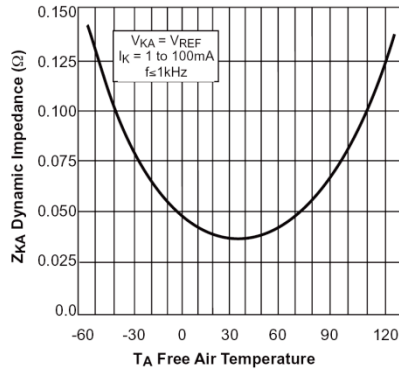


Fig. 9 Low Frequency Dynamic Output Impedance VS AMBIENT

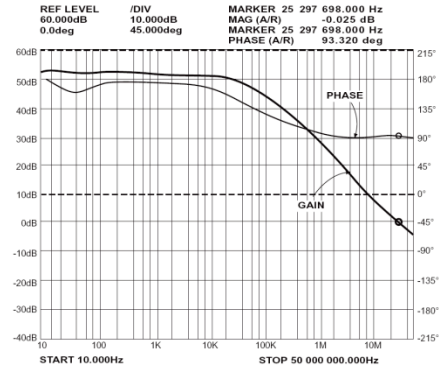


Fig. 10 Small Signal Gain and Phase VS Frequency; $I_K = 10\text{mA}$, $T_A = 25^\circ\text{C}$

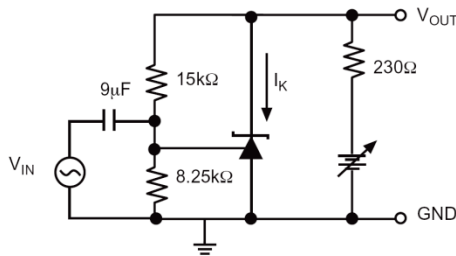


Fig. 11 Test Circuit for Gain and Phase Frequency Response

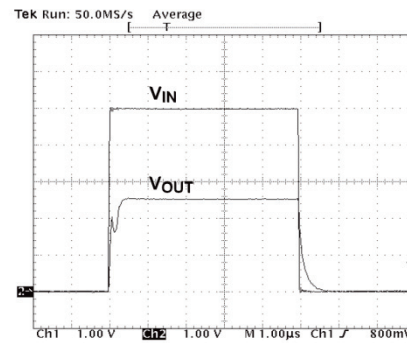


Fig. 2 $F_z = 100\text{kHz}$, $I_K = 10\text{mA}$, $T_A = 25^\circ\text{C}$

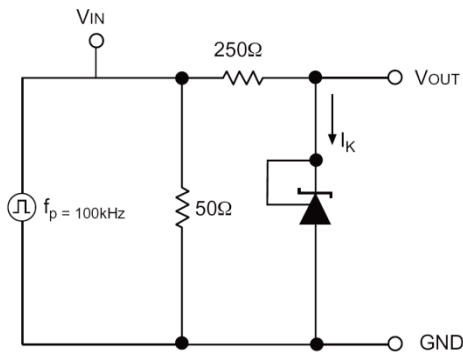


Fig. 33 Test Circuit for Pulse Response

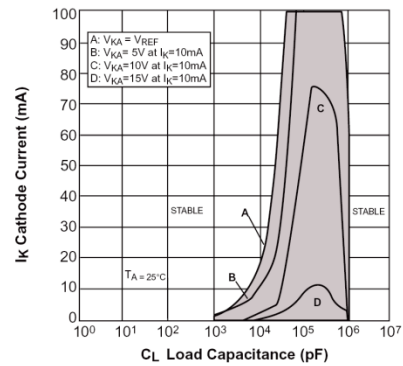


Fig. 44 Stability Boundry Conditions

Precision Adjustable Shunt Regulator

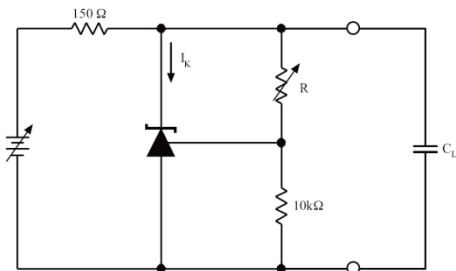


Fig. 55 Test Circuit for Stability

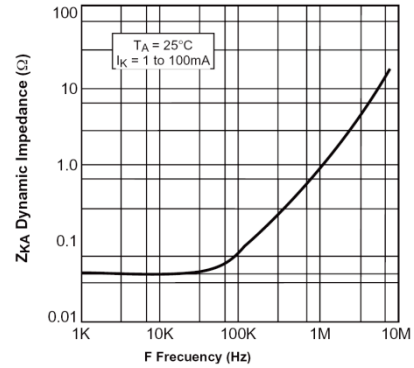


Fig. 66 Dynamic Output Impedance $T_A = 25^\circ\text{C}$, $I_k = 1$ to 100mA

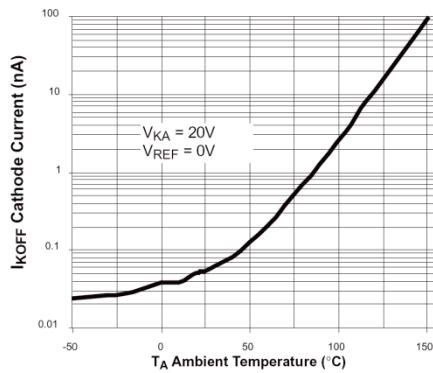


Fig. 77 Off State Leakage

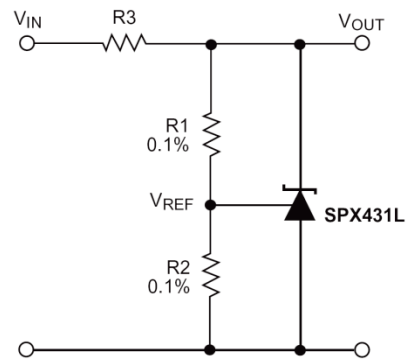


Fig. 88 Shunt Regulator $V_{OUT} = (1 + R1/R2)V_{REF}$

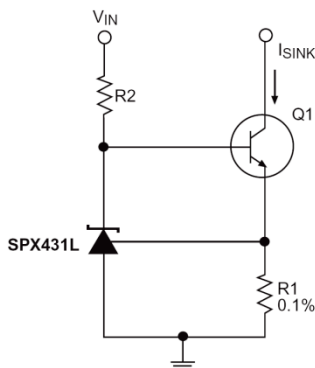


Fig. 199 Constant Current Sink, $I_{SINK} = V_{REF}/R1$

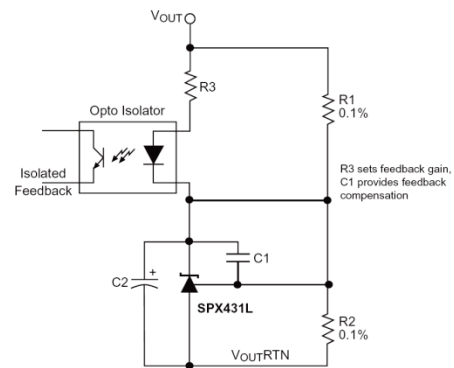


Fig. 100 Reference Amplifier for Isolated Feedback in Off-Line DC-DC Converters

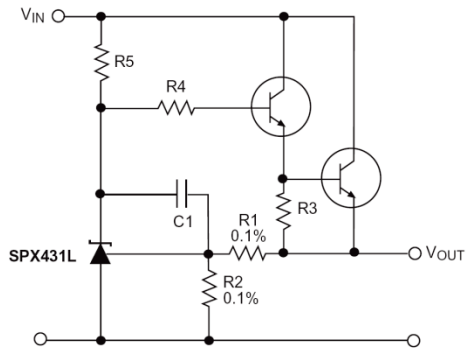


Fig. 111 Precision High Current Series Regulator
 $V_{OUT} = (1 + R1/R2)V_{REF}$

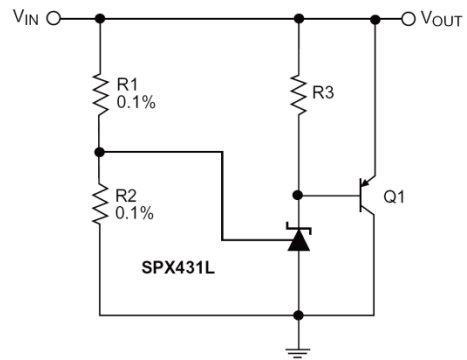


Fig. 122 High Current Shunt regulator
 $V_{OUT} = (1 + R1/R2)V_{REF}$

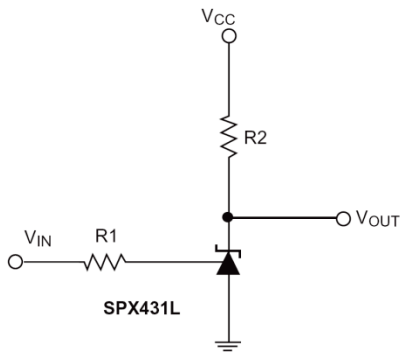


Fig. 133 Single Supply Comparator with Temperature Compensated Threshold. V_{IN} threshold = 2.5V.

APPLICATION INFORMATION

CALCULATING AVERAGE TEMPERATURE COEFFICIENT (TC)

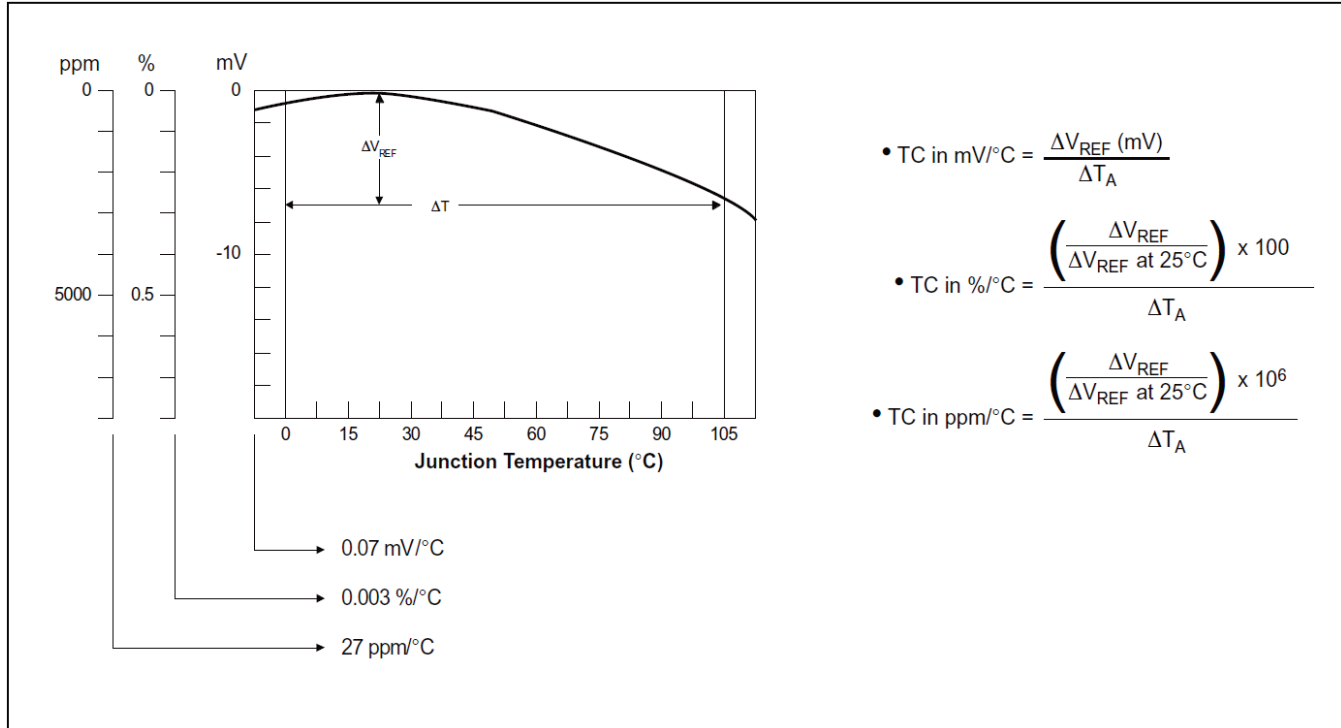


Fig. 24: VREF VS Temperature.

TEST CIRCUITS

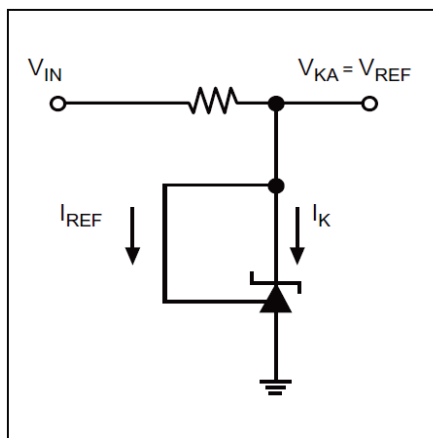


Fig. 25: Test Circuit for VKA = VREF

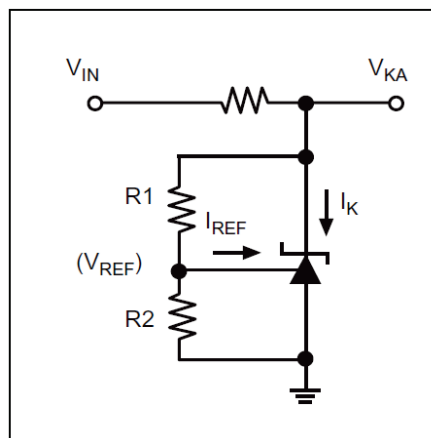


Fig. 26: Test Circuit for VKA > VREF

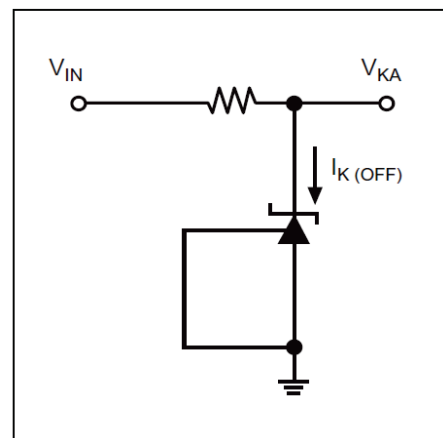
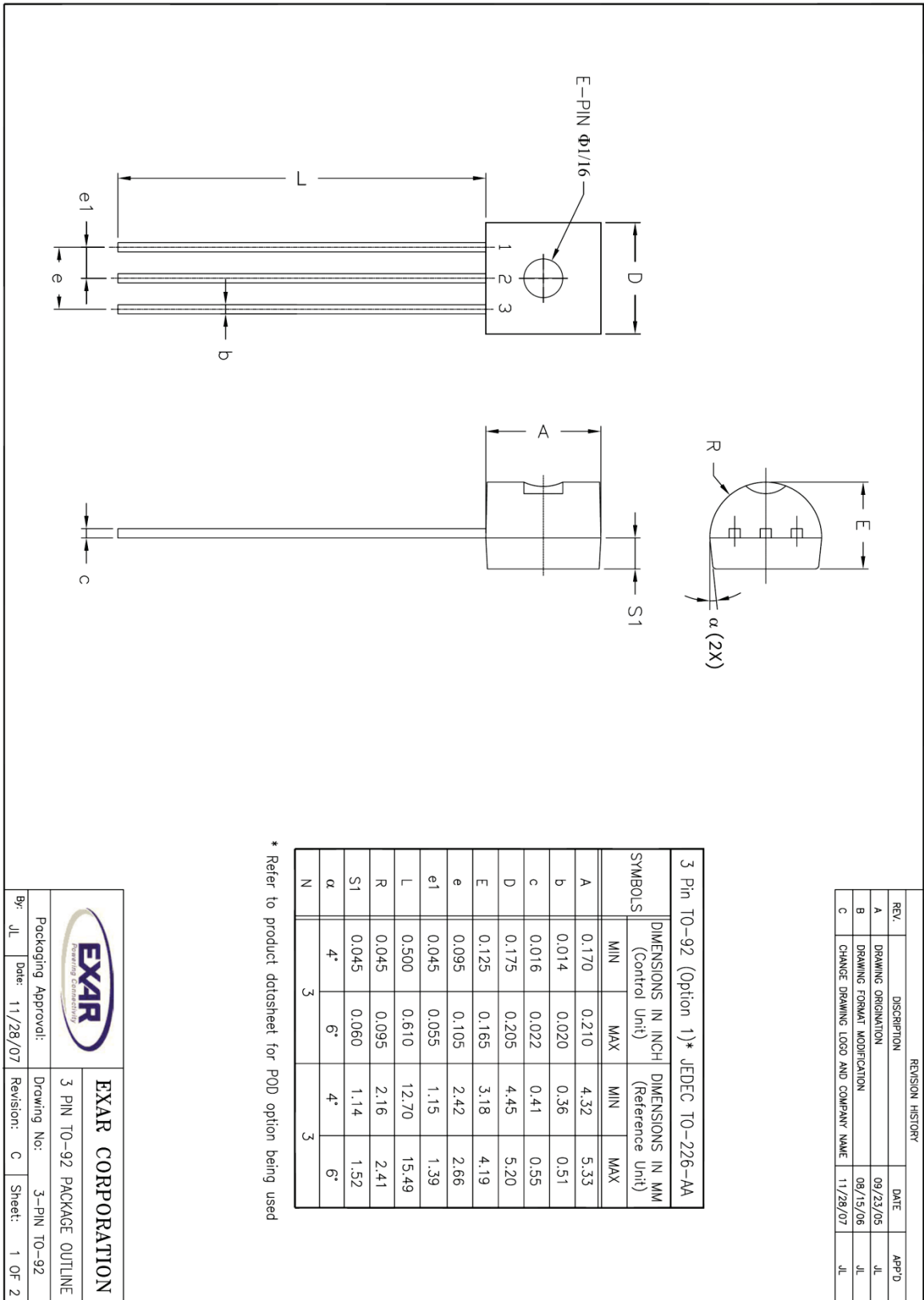


Fig. 27: Test Circuit for IK(OFF)

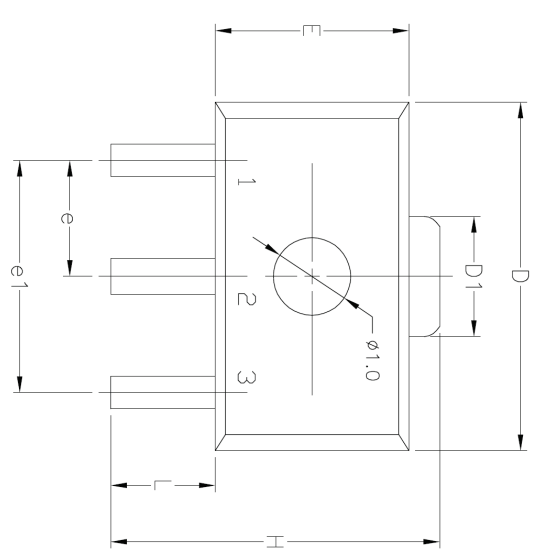
PACKAGE SPECIFICATION

3 PIN TO-92

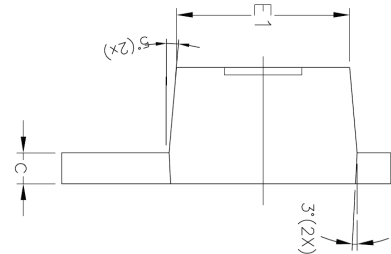


PACKAGE SPECIFICATION

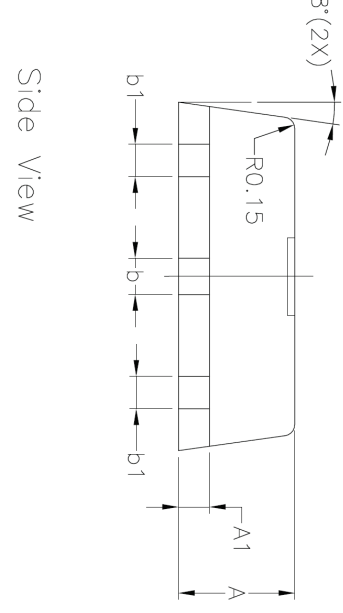
3 PIN SOT-89



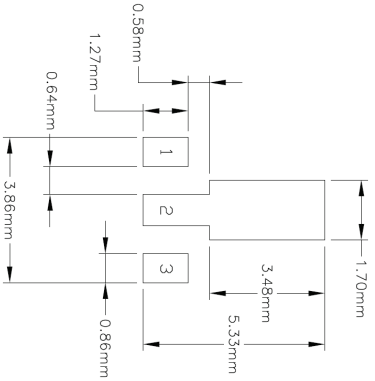
Top View



Front View



Side View




Recommended PCB Land Pattern

3 Pin SOT-89 JEDEC TO-243 Variation AA						
SYMBOLS	DIMENSIONS IN MM (Control Unit)			DIMENSIONS IN INCH (Reference Unit)		
	MIN	NOM	MAX	MIN	NOM	MAX
A	1.40	1.50	1.60	0.055	0.059	0.063
A1	0.30	0.40	0.50	0.011	0.015	0.019
b	0.44	0.47	0.56	0.017	0.018	0.022
b1	0.36	0.42	0.48	0.014	0.016	0.019
c	0.35	0.40	0.44	0.014	0.015	0.017
D	4.40	4.50	4.60	0.173	0.177	0.181
D1	1.62	1.60	1.83	0.064	0.062	0.072
E	2.29	2.50	2.60	0.090	0.098	0.102
E1	2.13	—	2.29	0.084	—	0.090
e	1.50 BSC			0.059 BSC		
e1	3.00 BSC			0.118 BSC		
H	3.94	—	4.25	0.155	—	0.167
L	0.89	—	1.20	0.035	—	0.047
N	3			3		

REVISION HISTORY			
REV.	DESCRIPTION	DATE	APP'D
A	DRAWING ORIGINATOR	02/02/06	JL
B	DRAWING FORMAT MODIFICATION	09/11/06	JL
C	CHANGE DRAWING LOGO AND COMPANY NAME	11/28/07	JL
D	ADD RECOMMENDED PCB LAND PATTERN	01/28/10	PC

Packaging Approvals:		Drawing No:	
By: PC	Date: 01/28/10	Revision: D	Sheet: 1 OF 1



EXAR CORPORATION
Precision Technology



A New Direction in Mixed-Signal

SPX431L

Precision Adjustable Shunt Regulator

REVISION HISTORY

Revision	Date	Description
2.0.0	06/12/2012	Reformatted Datasheet. Corrected Package Drawing
2.0.1	07/19/2013	Update package marking information and updated corporate logo.

FOR FURTHER ASSISTANCE

Email:

customersupport@exar.com

Exar Technical Documentation:

<http://www.exar.com/TechDoc/default.aspx>



A New Direction in Mixed-Signal

EXAR CORPORATION

HEADQUARTERS AND SALES OFFICES

48720 Kato Road

Fremont, CA 94538 – USA

Tel.: +1 (510) 668-7000

Fax: +1 (510) 668-7030

www.exar.com

NOTICE

EXAR Corporation reserves the right to make changes to the products contained in this publication in order to improve design, performance or reliability. EXAR Corporation assumes no responsibility for the use of any circuits described herein, conveys no license under any patent or other right, and makes no representation that the circuits are free of patent infringement. Charts and schedules contained here in are only for illustration purposes and may vary depending upon a user’s specific application. While the information in this publication has been carefully checked; no responsibility, however, is assumed for inaccuracies.

EXAR Corporation does not recommend the use of any of its products in life support applications where the failure or malfunction of the product can reasonably be expected to cause failure of the life support system or to significantly affect its safety or effectiveness. Products are not authorized for use in such applications unless EXAR Corporation receives, in writing, assurances to its satisfaction that: (a) the risk of injury or damage has been minimized; (b) the user assumes all such risks; (c) potential liability of EXAR Corporation is adequately protected under the circumstances.

Reproduction, in part or whole, without the prior written consent of EXAR Corporation is prohibited.

Компания «Life Electronics» занимается поставками электронных компонентов импортного и отечественного производства от производителей и со складов крупных дистрибьюторов Европы, Америки и Азии.

С конца 2013 года компания активно расширяет линейку поставок компонентов по направлению коаксиальный кабель, кварцевые генераторы и конденсаторы (керамические, пленочные, электролитические), за счёт заключения дистрибьюторских договоров

Мы предлагаем:

- Конкурентоспособные цены и скидки постоянным клиентам.
- Специальные условия для постоянных клиентов.
- Подбор аналогов.
- Поставку компонентов в любых объемах, удовлетворяющих вашим потребностям.
- Приемлемые сроки поставки, возможна ускоренная поставка.
- Доставку товара в любую точку России и стран СНГ.
- Комплексную поставку.
- Работу по проектам и поставку образцов.
- Формирование склада под заказчика.
- Сертификаты соответствия на поставляемую продукцию (по желанию клиента).
- Тестирование поставляемой продукции.
- Поставку компонентов, требующих военную и космическую приемку.
- Входной контроль качества.
- Наличие сертификата ISO.

В составе нашей компании организован Конструкторский отдел, призванный помогать разработчикам, и инженерам.

Конструкторский отдел помогает осуществить:

- Регистрацию проекта у производителя компонентов.
- Техническую поддержку проекта.
- Защиту от снятия компонента с производства.
- Оценку стоимости проекта по компонентам.
- Изготовление тестовой платы монтаж и пусконаладочные работы.



Тел: +7 (812) 336 43 04 (многоканальный)
Email: org@lifeelectronics.ru