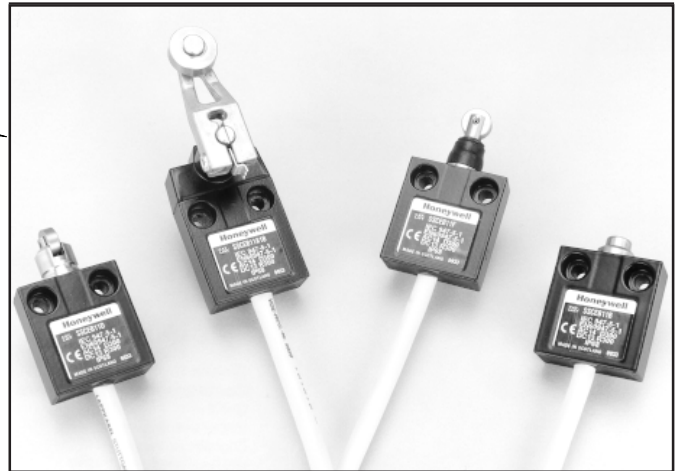


Super sealed CE Miniature limit switch



Features

- Fully sealed - capable of working when submerged
- Compact construction
- Pre-wired or connector versions
- Die-cast zinc housing
- Wide selection of actuators
- Gang mounting capability
- Variable length PUR cable
- Side and bottom exit cable/connector
- Simple two-screw mounting
- IP66/67, IP68 sealing

Benefits

- Suitable for difficult operating environments
- Suitable for applications where space is at a premium
- Fast and easy to install
- Application flexibility
- Multiple switching in small spaces
- Enhanced choice for application
- Suitable for aggressive environments

Description

The Super sealed CE Series Miniature limit switch has been designed for reliability in the harshest of environments. Its robust design, corrosion limiting features, flexible PUR cable and super sealing allows it to operate fully submerged in a range of fluids. Its small size allows operation in confined spaces. A range of different actuators offers flexibility in application.

Low energy switching

In today's demanding age of low energy controls, electromechanical switches are frequently used in interface directly with PLCs and other low energy devices. To accommodate this requirement Super sealed CE offers a gold plated contact version of the standard basic switch. This improves reliability of switching at low currents and voltages by protecting the contact surfaces from contamination during operation or storage prior to use. Standard silver contacts have the disadvantage in that the contact may tarnish under certain environmental conditions, e.g. in the presence of moisture.

Low energy basic switches are rated as follows:

Operating Voltage U_e 1 to 50 Vac or Vdc

Operating Current I_e 1 to 100 mA

Electrical rating

		IEC947-5-1 / EN60947-5-1							
Designation & Utilization Category		Rated operational current I_e (A) at rated operational voltage U_e						VA rating	
		120V	240V	380V	480V	500V	600V	Make	Break
AC15	A600	6	3	1.9	1.5	1.4	1.2	7200	720
AC15	A300	6	3	-	-	-	-	7200	720
AC15	B300	3	1.5	-	-	-	-	3800	360
AC14	D300	0.6	0.3	-	-	-	-	432	72
		125V 250V							
DC13	Q300	0.55	0.27					69	69
DC13	R300	0.22	0.1					28	28

WARNING

MISUSE OF DOCUMENTATION

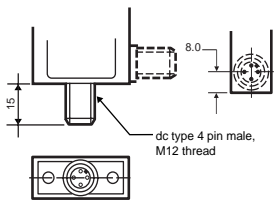
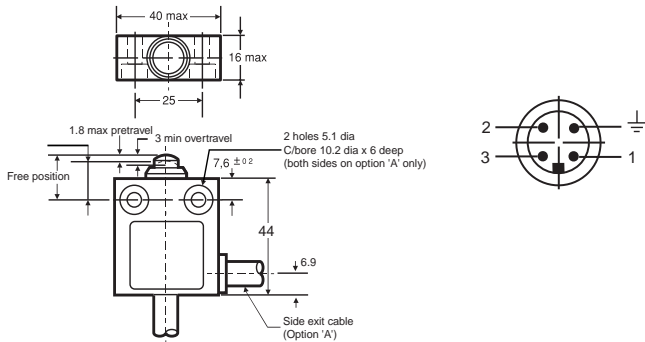
- The information presented in this product sheet (or catalogue) is for reference only. DO NOT USE this document as product installation information.
- Complete installation, operation and maintenance information is provided in the instructions supplied with each product.

Failure to comply with these instructions could result in death or serious injury.

Super sealed CE Series Miniature enclosed switch

Technical Data

Mechanical life	up to 10 million operations
Degree of protection	IP66/67, IP68
Temperature range	Operating: -40 °C to +90 °C (-40 °F to +194 °F)
Approvals/standards	IEC 60947-5-1 EN 60947-5-1 AC14 D300 DC13 R300
Electrical	Not suitable for isolation. SCPD, Quick blow fuse to IEC 127 suitable for rated current.
Shock	50 g conforming to IEC 68-2-27
Vibration	10 g conforming to IEC 68-2-6



- Side exit PUR cable = **A**
- Bottom exit PUR cable = **B**
- Side exit connector = **C**
- Bottom exit connector = **D**

Ordering Guide:

SSCE **X**

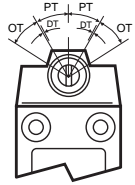
Cable/connector	Switch type Snap action contacts
	<p>S.P.D.T GREEN/YELLOW BROWN 2 BLUE 1 3 BLACK Circuit closed</p>
Connector 0	<p>F.P. 0 Degrees O.P. 30 Degrees max. 3 max D.T. R.P. O.F. (max) = 7.85 Newtons/800 GMF R.F. (min) = 1.0 Newtons/100 GMF</p>
1 m 1	<p>If cable option is required, specify cable length in 1 metre increments, e.g.</p> <p>F.P. 17.0 +/- 0.5 O.P. 16.0 +/- 0.5 0.1 max D.T. R.P. O.F. (max) = 11.8 Newtons/1200 GMF R.F. (min) = 4.4 Newtons/450 GMF</p>
2 m 2	<p>F.P. 29.5 +/- 0.5 O.P. 28.5 +/- 0.5 0.1 max D.T. R.P. O.F. (max) = 11.8 Newtons/1200 GMF R.F. (min) = 4.4 Newtons/450 GMF</p>
3 m 3	<p>F.P. 26.1 +/- 0.5 O.P. 25.1 +/- 0.5 0.1 max D.T. R.P. O.F. (max) = 22.5 Newtons/2300 GMF O.P. (min) = 4.4 Newtons/450 GMF</p>
Note: 4 m to 9 m cable lengths available by special request only.	<p>F.P. 35.5 +/- 0.5 O.P. 34.2 +/- 0.5 0.1 max D.T. R.P. O.F. (max) = 17.5 Newtons/1800 GMF R.F. (min) = 4.4 Newtons/450 GMF</p>

▲ Low energy contacts
See page 1

1
7▲

Actuator type

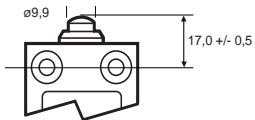
Options (for actuator type 'A' only)



Top Rotary action/lever

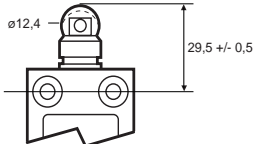
A

See 'Options' for additional levers



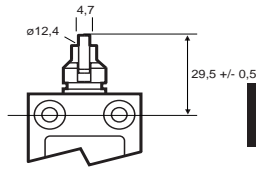
Top Pin Plunger

B



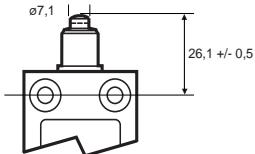
Top Roller Plunger, Parallel

C



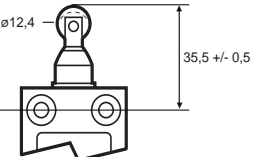
Top Roller Plunger, Perpendicular

D



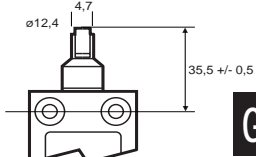
Top Pin Plunger, Boot Sealed

E



Top Roller Plunger, Parallel, Boot Sealed

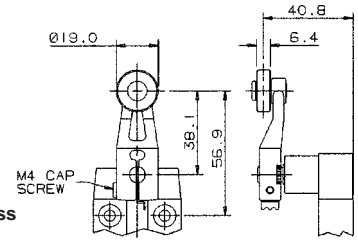
F



Top Roller Plunger, Perpendicular, Boot Sealed

G

Fixed length lever plastic roller

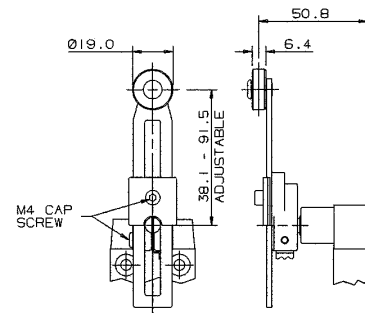


1A

Fixed length lever stainless steel roller

1B

Adjustable length lever plastic roller

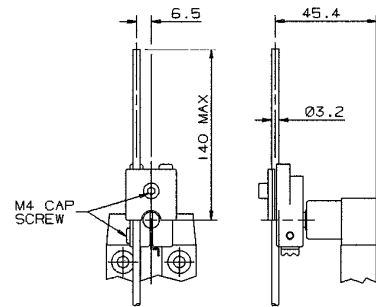


2A

Adjustable length lever stainless steel roller

2B

Adjustable rod lever



4J

No lever (leave blank)

--

X

XX

Warranty/Remedy

Honeywell warrants goods of its manufacture as being free of defective material and faulty workmanship. Contact your local sales office for warranty information. If warranted goods are returned to Honeywell during that period of coverage, Honeywell will repair or replace without charge those items it finds defective. The foregoing is Buyer's sole remedy and is in lieu of all other warranties, expressed or implied, including those of merchantability and fitness for a particular purpose.

While we provide application assistance, personally, through our literature and the Honeywell web site, it is up to the customer to determine the suitability of the product in the application.

Specifications may change at any time without notice. The information we supply is believed to be accurate and reliable as of this printing. However, we assume no responsibility for its use.

Sales and Service

Honeywell serves its customers through a worldwide network of sales offices and distributors. For application assistance, current specifications, pricing or name of the nearest Authorised Distributor, contact your local sales office or:

INTERNET: www.honeywell.com/sensing

E-mail: info@micro.honeywell.com

ASIA PACIFIC

Australia

Honeywell Pacific Inc.
Phone: +(61) 2-9353-7400
FAX: +(61) 2-9353-7406
Toll Free 1300-36-39-36
Toll Free Fax 1300-36-04-70

China - PRC - Beijing

Honeywell (Tianjin) Ltd.
Phone: +(86-10) 6561-0208
FAX: +(86-10) 6561-0618

China - Hong Kong SAR

Honeywell Ltd.
Phone: +(852) 2331 9133
FAX: +(852) 2953-6767

India

Tata Honeywell Ltd
Phone: +(91) 20 612 243
FAX: +(91) 20 675 992

Indonesia

PT Honeywell Ltd.
Phone: +(62) 21 521-3330
FAX: +(62) 21 521-3735

Japan

Yamatake Corporation
Phone: +(81) 466-20-2187
FAX: +(81) 466-20-2309

South Korea

LG - Honeywell Co. Ltd
Phone: +(822) 799-6011
FAX: +(822) 792-9013

Malaysia

Honeywell Engineering Sdn Bhd
Phone: +(603) 758-4988
FAX: +(603) 758-8922

New Zealand

Honeywell Pty Limited
Phone: +(64-9) 623-5050
FAX: +(64-9) 623-5060
Toll Free (0800) 202-088

Pakistan

Honeywell Pvt Limited
Phone: +(92-21) 455-5173
FAX: +(92-21) 455-5194
Toll Free (0800) 202-088

Philippines

Honeywell Systems (Philippines) Inc.
Phone: +(632) 636-1649
FAX: +(632) 636-1650

Singapore/SE Asia Regional Office

Honeywell Southeast Asia Pte. Ltd.
Phone: +(65) 355-2828
FAX: +(65) 445-3033

Taiwan R.O.C.

Honeywell Taiwan Ltd.
Phone: +(886) 22245-1000
FAX: +(886) 22245-3243

Thailand

Honeywell Systems Ltd.
Phone: +(662) 693 3099
FAX: +(662) 693 3085

Honeywell Asia Pacific Inc.

Phone: +(65) 354 6768
FAX: +(65) 354-6775

NORTH AMERICA

Canada

Honeywell LTD
Phone: 1-800-737-3360
FAX: 1-800-565-4130

USA

MICRO SWITCH Sensing and Control,
International Headquarters
Phone: 1-800-537-6945
1-815-235-6847
FAX: 1-815-235-6545

EUROPE

Austria

Honeywell Austria GmbH
Phone: +(43) 1 727 80 366/246
FAX: +(43) 1 727 80 337

Belgium

Honeywell SA/NV
Phone: +(32) 2 728 2522
FAX: +(32) 2 728 2502

Bulgaria

Honeywell EOOD
Phone: +(359) 2 79 40 27
FAX: +(359) 2 79 40 90

Czech Republic

Honeywell spol. s.r.o.
Phone: +(420) 2 6112 3469/ 3424
FAX: +(420) 2 6112 3461

Denmark

Honeywell A/S
Phone: +(45) 39 55 55 55
FAX: +(45) 39 55 55 58

Finland

Honeywell OY
Phone: +(358) 9 3480101
FAX: +(358) 9 34801375

France

Honeywell SA
Phone: +(33) 1 60 19 82 68
FAX: +(33) 1 60 19 81 73

Germany

Honeywell AG
Phone: +(49) 69 8064 444
FAX: +(49) 69 8064 442

Hungary

Honeywell Kft.
Phone: +(36 1) 451 4300
FAX: +(36 1) 451 4343

Italy

Honeywell S.p.A.
Phone: +(39) 02 92146 450/456
FAX: +(39) 02 92146 490

The Netherlands

Honeywell B.V.
Phone: +(31) 20 565 69 11
FAX: +(31) 20 565 66 00

Norway

Honeywell A/S
Phone: +(47) 66 76 20 00
FAX: +(47) 66 76 20 90

Poland

Honeywell Sp. zo.o
Phone: +(48) 22 606 0900
FAX: +(48) 22 606 0901

Portugal

Honeywell Portugal Lda
Phone: +(351 21) 424 50 00
FAX: +(351 21) 424 50 99

Romania

Honeywell Bucharest
Phone: +(40) 1 2110076
FAX: +(40) 1 2103375

Commonwealth of Independent States (CIS)

Z.A.O. Honeywell
Phone: +(7 095) 796 98 00
FAX: +(7 095) 796 98 93

Slovak Republic

Honeywell s.r.o.
Phone: +(421 7) 58247 403/400
FAX: +(421 7) 58247 415

South Africa (Republic of)

Honeywell Southern Africa
Honeywell S.A. Pty. Ltd
Phone: +(27) 11 805 1211
FAX: +(27) 11 805 1354

Spain

Honeywell S.A.
Phone: +(34) 91 313 6100
FAX: +(34) 91 313 6129

Sweden

Honeywell AB
Phone: +(46) 8 775 55 00
FAX: +(46) 8 775 56 00

Switzerland

Honeywell AG
Phone: +(41) 1 839 25 25
FAX: +(41) 1 831 03 14

Turkey

Honeywell Turkey A.S.
Phone: +(90) 216 464 4764
FAX: +(90) 216 464 4794

United Kingdom

Honeywell Control Systems Ltd
Phone: +(44) 1344 656000
FAX: +(44) 1344 656015

Mediterranean & African Distributors

Honeywell SpA
Phone: +(39) 2 921 46 232
FAX: +(39) 2 921 46 233

Middle East Headquarters

Honeywell Middle East Ltd.
Phone: +(9712) 272533
FAX: +(9712) 269539

LATIN AMERICA

Argentina

Honeywell S.A.I.C.
Phone: +(54-11) 4383-9282
FAX: +(54-11) 4325-6470

Brazil

Honeywell do Brasil & Cia
Phone: +(55-11) 865-2055
FAX: +(55-11) 865-3894

Chile

Honeywell Chile, S.A.
Phone: +(56-2) 233-0688
FAX: +(56-2) 231-6679

Columbia

Honeywell Columbia, S.A.
Phone: +(57-1) 623-3239/3051
FAX: +(57-1) 623-3395

Ecuador

Honeywell S.A.
Phone: +(593-2) 981-560/1
FAX: +(593-2) 981-562

Mexico

Honeywell S.A. de C.V.
Phone: +(52-5) 259-1966
FAX: +(52-5) 570-2985

Puerto Rico

Honeywell Inc.
Phone: +(809)792-7075
FAX: +(809) 792-0053

Venezuela

Honeywell CA
Phone: +(58-2) 238-0211
FAX: +(58-2) 238-3391

This publication does not constitute a contract between Honeywell and its customers. The contents may be changed at any time without notice. It is the customer's responsibility to ensure safe installation and operation of the products. Detailed mounting drawings of all products illustrated are available on request. © Honeywell 1999

Honeywell

Honeywell Control Systems Ltd
Newhouse Industrial Estate
Motherwell ML1 5SB
Scotland, UK

www.honeywell.com/sensing

Компания «Life Electronics» занимается поставками электронных компонентов импортного и отечественного производства от производителей и со складов крупных дистрибьюторов Европы, Америки и Азии.

С конца 2013 года компания активно расширяет линейку поставок компонентов по направлению коаксиальный кабель, кварцевые генераторы и конденсаторы (керамические, пленочные, электролитические), за счёт заключения дистрибьюторских договоров

Мы предлагаем:

- Конкурентоспособные цены и скидки постоянным клиентам.
- Специальные условия для постоянных клиентов.
- Подбор аналогов.
- Поставку компонентов в любых объемах, удовлетворяющих вашим потребностям.
- Приемлемые сроки поставки, возможна ускоренная поставка.
- Доставку товара в любую точку России и стран СНГ.
- Комплексную поставку.
- Работу по проектам и поставку образцов.
- Формирование склада под заказчика.
- Сертификаты соответствия на поставляемую продукцию (по желанию клиента).
- Тестирование поставляемой продукции.
- Поставку компонентов, требующих военную и космическую приемку.
- Входной контроль качества.
- Наличие сертификата ISO.

В составе нашей компании организован Конструкторский отдел, призванный помогать разработчикам, и инженерам.

Конструкторский отдел помогает осуществить:

- Регистрацию проекта у производителя компонентов.
- Техническую поддержку проекта.
- Защиту от снятия компонента с производства.
- Оценку стоимости проекта по компонентам.
- Изготовление тестовой платы монтаж и пусконаладочные работы.



Тел: +7 (812) 336 43 04 (многоканальный)
Email: org@lifeelectronics.ru