

### FEATURES

- Single 12-bit DAC
- 6-lead SOT-23 and 8-lead MSOP packages
- Micropower operation: 140  $\mu$ A @ 5 V
- Power-down to 200 nA @ 5 V, 50 nA @ 3 V
- 2.7 V to 5.5 V power supply
- Guaranteed monotonic by design
- Reference derived from power supply
- Power-on reset to zero volts
- Three power-down functions
- Low power serial interface with Schmitt-triggered inputs
- On-chip output buffer amplifier, rail-to-rail operation
- SYNC interrupt facility

### APPLICATIONS

- Portable battery-powered instruments
- Digital gain and offset adjustment
- Programmable voltage and current sources
- Programmable attenuators

### GENERAL DESCRIPTION

The AD5320<sup>1</sup> is a single, 12-bit buffered voltage out digital-to-analog converter (DAC) that operates from a single 2.7 V to 5.5 V supply consuming 115  $\mu$ A at 3 V. Its on-chip precision output amplifier allows rail-to-rail output swing to be achieved. The AD5320 utilizes a versatile 3-wire serial interface that operates at clock rates up to 30 MHz and is compatible with standard SPI<sup>®</sup>, QSPI<sup>™</sup>, MICROWIRE<sup>™</sup> and digital signal processing (DSP) interface standards.

The reference for AD5320 is derived from the power supply inputs and thus gives the widest dynamic output range. The part incorporates a power-on reset circuit that ensures that the DAC output powers up to zero volts and remains there until a valid write takes place to the device. The part contains a power-down feature that reduces the current consumption of the device to 200 nA at 5 V and provides software selectable output loads while in power-down mode. The part is put into power-down mode over the serial interface.

The low power consumption of this part in normal operation makes it ideally suited to portable, battery-operated equipment. The power consumption is 0.7 mW at 5 V reducing to 1  $\mu$ W in power-down mode.

<sup>1</sup> Patent pending; protected by U.S. Patent No. 5684481.

#### Rev. C

Information furnished by Analog Devices is believed to be accurate and reliable. However, no responsibility is assumed by Analog Devices for its use, nor for any infringements of patents or other rights of third parties that may result from its use. Specifications subject to change without notice. No license is granted by implication or otherwise under any patent or patent rights of Analog Devices. Trademarks and registered trademarks are the property of their respective owners.

### FUNCTIONAL BLOCK DIAGRAM



Figure 1.

The AD5320 is one of a family of pin-compatible DACs. The AD5300 is the 8-bit version and the AD5310 is the 10-bit version. The AD5300/AD5310/AD5320 are available in 6-lead SOT-23 packages and 8-lead MSOP packages.

### PRODUCT HIGHLIGHTS

1. Available in 6-lead SOT-23 and 8-lead MSOP packages.
2. Low power, single-supply operation. This part operates from a single 2.7 V to 5.5 V supply and typically consumes 0.35 mW at 3 V and 0.7 mW at 5 V, making it ideal for battery-powered applications.
3. The on-chip output buffer amplifier allows the output of the DAC to swing rail-to-rail with a slew rate of 1 V/ $\mu$ s.
4. Reference derived from the power supply.
5. High speed serial interface with clock speeds up to 30 MHz. Designed for very low power consumption. The interface only powers up during a write cycle.
6. Power-down capability. When powered down, the DAC typically consumes 50 nA at 3 V and 200 nA at 5 V.

## TABLE OF CONTENTS

|  |    |  |    |
|--|----|--|----|
| Features .....                                     | 1  | Serial Interface .....                             | 12 |
| Applications.....                                  | 1  | Input Shift Register .....                         | 12 |
| Functional Block Diagram .....                     | 1  | $\overline{\text{SYNC}}$ Interrupt .....           | 12 |
| General Description .....                          | 1  | Power-On Reset .....                               | 12 |
| Product Highlights .....                           | 1  | Power-Down Modes .....                             | 13 |
| Revision History .....                             | 2  | Microprocessor Interfacing.....                    | 14 |
| Specifications.....                                | 3  | AD5320 to ADSP-2101/ADSP-2103 Interface .....      | 14 |
| Timing Characteristics .....                       | 4  | AD5320 to 68HC11/68L11 Interface.....              | 14 |
| Absolute Maximum Ratings.....                      | 5  | AD5320 to 80C51/80L51 Interface .....              | 14 |
| ESD Caution.....                                   | 5  | AD5320 to MICROWIRE Interface.....                 | 14 |
| Pin Configurations and Function Descriptions ..... | 6  | Applications.....                                  | 15 |
| Terminology .....                                  | 7  | Using REF19x as a Power Supply for AD5320 .....    | 15 |
| Typical Performance Characteristics .....          | 8  | Bipolar Operation Using the AD5320.....            | 15 |
| Theory of Operation .....                          | 11 | Using AD5320 with an Opto-Isolated Interface ..... | 15 |
| D/A Section .....                                  | 11 | Power Supply Bypassing and Grounding.....          | 16 |
| Resistor String.....                               | 11 | Outline Dimensions .....                           | 17 |
| Output Amplifier.....                              | 11 | Ordering Guide .....                               | 17 |

## REVISION HISTORY

### 11/05—Rev. B to Rev. C

|                                  |           |
|----------------------------------|-----------|
| Updated Format .....             | Universal |
| Changes to Table 4.....          | 6         |
| Updated Outline Dimensions ..... | 17        |
| Changes to Ordering Guide .....  | 17        |

## SPECIFICATIONS

$V_{DD} = 2.7\text{ V to }5.5\text{ V}$ ;  $R_L = 2\text{ k}\Omega$  to GND;  $C_L = 200\text{ pF}$  to GND; all specifications  $T_{MIN}$  to  $T_{MAX}$ , unless otherwise noted.

**Table 1.**

| Parameter                                 | B Version <sup>1</sup> |      |            | Unit                         | Test Conditions/Comments  |  |
|---|------------------------|------|------------|------------------------------|---|--|
|   | Min                    | Typ  | Max        |                              |   |  |
| <b>STATIC PERFORMANCE<sup>2</sup></b>     |                        |      |            |                              |   |  |
| Resolution                                | 12                     |      |            | Bits                         | See Figure 5<br>Guaranteed monotonic by design (see Figure 6)<br>All zeroes loaded to DAC register (see Figure 9)<br>All ones loaded to DAC register (see Figure 9)   |  |
| Relative Accuracy                         |                        |      | $\pm 16$   | LSB                          |   |  |
| Differential Nonlinearity                 |                        |      | $\pm 1$    | LSB                          |   |  |
| Zero-Code Error                           | 5                      |      | 40         | mV                           |   |  |
| Full-Scale Error                          | -0.15                  |      | -1.25      | % of FSR                     |   |  |
| Gain Error                                |                        |      | $\pm 1.25$ | % of FSR                     |   |  |
| Zero-Code Error Drift                     | -20                    |      |            | $\mu\text{V}/^\circ\text{C}$ |   |  |
| Gain Temperature Coefficient              | -5                     |      |            | ppm of FSR/ $^\circ\text{C}$ |   |  |
| <b>OUTPUT CHARACTERISTICS<sup>3</sup></b> |                        |      |            |                              |   |  |
| Output Voltage Range                      | 0                      |      | $V_{DD}$   | V                            | 1/4 scale to 3/4 scale change (400 hex to C00 hex)<br>$R_L = 2\text{ k}\Omega$ , $0\text{ pF} < C_L < 200\text{ pF}$ (see Figure 19)<br>$R_L = 2\text{ k}\Omega$ , $C_L = 500\text{ pF}$<br>$R_L = \infty$<br>$R_L = 2\text{ k}\Omega$<br>1 LSB change around major carry (see Figure 22)<br>$V_{DD} = 5\text{ V}$<br>$V_{DD} = 3\text{ V}$<br>Coming out of power-down mode, $V_{DD} = 5\text{ V}$<br>Coming out of power-down mode, $V_{DD} = 3\text{ V}$ |  |
| Output Voltage Settling Time              | 8                      |      | 10         | $\mu\text{s}$                |   |  |
|   | 12                     |      |            | $\mu\text{s}$                |   |  |
| Slew Rate                                 | 1                      |      |            | V/ $\mu\text{s}$             |   |  |
| Capacitive Load Stability                 | 470                    |      |            | pF                           |   |  |
|   | 1000                   |      |            | pF                           |   |  |
| Digital-to-Analog Glitch Impulse          | 20                     |      |            | nV-s                         |   |  |
| Digital Feedthrough                       | 0.5                    |      |            | nV-s                         |   |  |
| DC Output Impedance                       | 1                      |      |            | $\Omega$                     |   |  |
| Short Circuit Current                     | 50                     |      |            | mA                           |   |  |
|   | 20                     |      |            | mA                           |   |  |
| Power-Up Time                             | 2.5                    |      |            | $\mu\text{s}$                |   |  |
|   | 5                      |      |            | $\mu\text{s}$                |   |  |
| <b>LOGIC INPUTS<sup>3</sup></b>           |                        |      |            |                              |   |  |
| Input Current                             |                        |      | $\pm 1$    | $\mu\text{A}$                |   | $V_{DD} = 5\text{ V}$<br>$V_{DD} = 3\text{ V}$<br>$V_{DD} = 5\text{ V}$<br>$V_{DD} = 3\text{ V}$ |
| $V_{INL}$ , Input Low Voltage             |                        |      | 0.8        | V                            |   |  |
| $V_{INL}$ , Input Low Voltage             |                        |      | 0.6        | V                            |   |  |
| $V_{INH}$ , Input High Voltage            | 2.4                    |      |            | V                            |   |  |
| $V_{INH}$ , Input High Voltage            | 2.1                    |      |            | V                            |   |  |
| Pin Capacitance                           |                        |      | 3          | pF                           |   |  |
| <b>POWER REQUIREMENTS</b>                 |                        |      |            |                              |   |  |
| $V_{DD}$                                  | 2.7                    |      | 5.5        | V                            | DAC active and excluding load current<br>$V_{IH} = V_{DD}$ and $V_{IL} = \text{GND}$<br>$V_{IH} = V_{DD}$ and $V_{IL} = \text{GND}$<br>$V_{IH} = V_{DD}$ and $V_{IL} = \text{GND}$<br>$V_{IH} = V_{DD}$ and $V_{IL} = \text{GND}$   |  |
| $I_{DD}$ (Normal Mode)                    |                        |      |            |                              |   |  |
| $V_{DD} = 4.5\text{ V to }5.5\text{ V}$   |                        | 140  | 250        | $\mu\text{A}$                |   |  |
| $V_{DD} = 2.7\text{ V to }3.6\text{ V}$   |                        | 115  | 200        | $\mu\text{A}$                |   |  |
| $I_{DD}$ (All Power-Down Modes)           |                        |      |            |                              |   |  |
| $V_{DD} = 4.5\text{ V to }5.5\text{ V}$   |                        | 0.2  | 1          | $\mu\text{A}$                |   |  |
| $V_{DD} = 2.7\text{ V to }3.6\text{ V}$   |                        | 0.05 | 1          | $\mu\text{A}$                |   |  |
| <b>POWER EFFICIENCY</b>                   |                        |      |            |                              |   |  |
| $I_{OUT}/I_{DD}$                          |                        | 93   |            | %                            | $I_{LOAD} = 2\text{ mA}$ , $V_{DD} = 5\text{ V}$  |  |

<sup>1</sup> Temperature range is as follows: B Version:  $-40^\circ\text{C}$  to  $+105^\circ\text{C}$ .

<sup>2</sup> Linearity calculated using a reduced code range of 48 to 4047; output unloaded.

<sup>3</sup> Guaranteed by design and characterization, not production tested.

## TIMING CHARACTERISTICS

$V_{DD} = 2.7\text{ V to }5.5\text{ V}$ , all specifications  $T_{MIN}$  to  $T_{MAX}$ , unless otherwise noted.

Table 2.

| Parameter <sup>1,2</sup> | Limit at $T_{MIN}, T_{MAX}$             |   | Unit   | Description   |
|--------------------------|---|---|--------|---|
|                          | $V_{DD} = 2.7\text{ V to }3.6\text{ V}$ | $V_{DD} = 3.6\text{ V to }5.5\text{ V}$ |        |   |
| $t_1^3$                  | 50                                      | 33                                      | ns min | SCLK cycle time   |
| $t_2$                    | 13                                      | 13                                      | ns min | SCLK high time  |
| $t_3$                    | 22.5                                    | 13                                      | ns min | SCLK low time   |
| $t_4$                    | 0                                       | 0                                       | ns min | $\overline{\text{SYNC}}$ to SCLK rising edge setup time   |
| $t_5$                    | 5                                       | 5                                       | ns min | Data setup time   |
| $t_6$                    | 4.5                                     | 4.5                                     | ns min | Data hold time  |
| $t_7$                    | 0                                       | 0                                       | ns min | SCLK falling edge to $\overline{\text{SYNC}}$ rising edge |
| $t_8$                    | 50                                      | 33                                      | ns min | Minimum $\overline{\text{SYNC}}$ high time                |

<sup>1</sup> All input signals are specified with  $t_r = t_f = 5\text{ ns}$  (10% to 90% of  $V_{DD}$ ) and timed from a voltage level of  $(V_{IL} + V_{IH})/2$ .

<sup>2</sup> See Figure 2.

<sup>3</sup> Maximum SCLK frequency is 30 MHz at  $V_{DD} = 3.6\text{ V to }5.5\text{ V}$  and 20 MHz at  $V_{DD} = 2.7\text{ V to }3.6\text{ V}$ .



Figure 2. Serial Write Operation

00934-002

## ABSOLUTE MAXIMUM RATINGS

$T_A = 25^\circ\text{C}$ , unless otherwise noted.

**Table 3.**

| Parameter                         | Ratings                                     |
|-----------------------------------|---|
| $V_{DD}$ to GND                   | -0.3 V to +7 V                              |
| Digital Input Voltage to GND      | -0.3 V to $V_{DD} + 0.3$ V                  |
| $V_{OUT}$ to GND                  | -0.3 V to $V_{DD} + 0.3$ V                  |
| Operating Temperature Range       |   |
| Industrial (B Version)            | $-40^\circ\text{C}$ to $+105^\circ\text{C}$ |
| Storage Temperature Range         | $-65^\circ\text{C}$ to $+150^\circ\text{C}$ |
| Junction Temperature ( $T_J$ Max) | $150^\circ\text{C}$                         |
| SOT-23 Package                    |   |
| Power Dissipation                 | $(T_J \text{ Max} - T_A)/\theta_{JA}$       |
| $\theta_{JA}$ Thermal Impedance   | $240^\circ\text{C}/\text{W}$                |
| Lead Temperature, Soldering       |   |
| Vapor Phase (60 sec)              | $215^\circ\text{C}$                         |
| Infrared (15 sec)                 | $220^\circ\text{C}$                         |
| MSOP Package                      |   |
| Power Dissipation                 | $(T_J \text{ Max} - T_A)/\theta_{JA}$       |
| $\theta_{JA}$ Thermal Impedance   | $206^\circ\text{C}/\text{W}$                |
| $\theta_{JC}$ Thermal Impedance   | $44^\circ\text{C}/\text{W}$                 |
| Lead Temperature, Soldering       |   |
| Vapor Phase (60 sec)              | $215^\circ\text{C}$                         |
| Infrared (15 sec)                 | $220^\circ\text{C}$                         |

Stresses above those listed under Absolute Maximum Ratings may cause permanent damage to the device. This is a stress rating only; functional operation of the device at these or any other conditions above those indicated in the operational section of this specification is not implied. Exposure to absolute maximum rating conditions for extended periods may affect device reliability.

### ESD CAUTION

ESD (electrostatic discharge) sensitive device. Electrostatic charges as high as 4000 V readily accumulate on the human body and test equipment and can discharge without detection. Although this product features proprietary ESD protection circuitry, permanent damage may occur on devices subjected to high energy electrostatic discharges. Therefore, proper ESD precautions are recommended to avoid performance degradation or loss of functionality.



# AD5320

## PIN CONFIGURATIONS AND FUNCTION DESCRIPTIONS



00834-003

Figure 3. SOT-23 Pin Configuration



00834-004

NC = NO CONNECT

Figure 4. MSOP Pin Configuration

Table 4. Pin Function Descriptions

| SOT-23 Pin No. | MSOP Pin No. | Mnemonic                 | Description  |
|----------------|--------------|--------------------------|--|
| 1              | 4            | $V_{OUT}$                | Analog Output Voltage from DAC. The output amplifier has rail-to-rail operation.   |
| 2              | 8            | GND                      | Ground Reference Point for All Circuitry on the Part.  |
| 3              | 1            | $V_{DD}$                 | Power Supply Input. These parts can be operated from 2.5 V to 5.5 V and $V_{DD}$ should be decoupled to GND.   |
| 4              | 7            | DIN                      | Serial Data Input. This device has a 16-bit shift register. Data is clocked into the register on the falling edge of the serial clock input.   |
| 5              | 6            | SCLK                     | Serial Clock Input. Data is clocked into the input shift register on the falling edge of the serial clock input. Data can be transferred at rates up to 30 MHz.  |
| 6              | 5            | $\overline{\text{SYNC}}$ | Level Triggered Control Input (Active Low). This is the frame synchronization signal for the input data. When $\overline{\text{SYNC}}$ goes low, it enables the input shift register and data is transferred in on the falling edges of the following clocks. The DAC is updated following the 16th clock cycle unless $\overline{\text{SYNC}}$ is taken high before this edge, in which case the rising edge of $\overline{\text{SYNC}}$ acts as an interrupt and the write sequence is ignored by the DAC. |
|                | 2, 3         | NC                       | No Connect.  |

## TERMINOLOGY

### Relative Accuracy

For the DAC, relative accuracy or integral nonlinearity (INL) is a measure of the maximum deviation, in LSBs, from a straight line passing through the endpoints of the DAC transfer function. A typical INL vs. code plot can be seen in Figure 5.

### Differential Nonlinearity

Differential nonlinearity (DNL) is the difference between the measured change and the ideal 1 LSB change between any two adjacent codes. A specified differential nonlinearity of  $\pm 1$  LSB maximum ensures monotonicity. This DAC is guaranteed monotonic by design. A typical DNL vs. code plot can be seen in Figure 6.

### Zero-Code Error

Zero-code error is a measure of the output error when zero code (000 hex) is loaded to the DAC register. Ideally, the output should be 0 V. The zero-code error is always positive in the AD5320 because the output of the DAC cannot go below 0 V due to a combination of the offset errors in the DAC and output amplifier. Zero-code error is expressed in mV. A plot of zero-code error vs. temperature can be seen in Figure 9.

### Full-Scale Error

Full-scale error is a measure of the output error when full-scale code (FFF Hex) is loaded to the DAC register. Ideally the output should be  $V_{DD} - 1$  LSB. Full-scale error is expressed in percent of full-scale range. A plot of full-scale error vs. temperature can be seen in Figure 9.

### Gain Error

This is a measure of the span error of the DAC. It is the deviation in slope of the DAC transfer characteristic from ideal expressed as a percent of the full-scale range.

### Total Unadjusted Error

Total unadjusted error (TUE) is a measure of the output error considering all the various errors. A typical TUE vs. code plot can be seen in Figure 7.

### Zero-Code Error Drift

This is a measure of the change in zero-code error with a change in temperature. It is expressed in  $\mu\text{V}/^\circ\text{C}$ .

### Gain Error Drift

This is a measure of the change in gain error with changes in temperature. It is expressed in (ppm of full-scale range)/ $^\circ\text{C}$ .

### Digital-to-Analog Glitch Impulse

Digital-to-analog glitch impulse is the impulse injected into the analog output when the input code in the DAC register changes state. It is normally specified as the area of the glitch in nV seconds and is measured when the digital input code is changed by 1 LSB at the major carry transition (7FF Hex to 800 Hex); see Figure 22.

### Digital Feedthrough

Digital feedthrough is a measure of the impulse injected into the analog output of the DAC from the digital inputs of the DAC but is measured when the DAC output is not updated. It is specified in nV seconds and measured with a full-scale code change on the data bus, that is, from all 0s to all 1s and vice versa.

TYPICAL PERFORMANCE CHARACTERISTICS



Figure 5. Typical INL Plot



Figure 8. INL Error and DNL Error vs. Temperature



Figure 6. Typical DNL Plot



Figure 9. Zero-Scale Error and Full-Scale Error vs. Temperature



Figure 7. Typical Total Unadjusted Error Plot

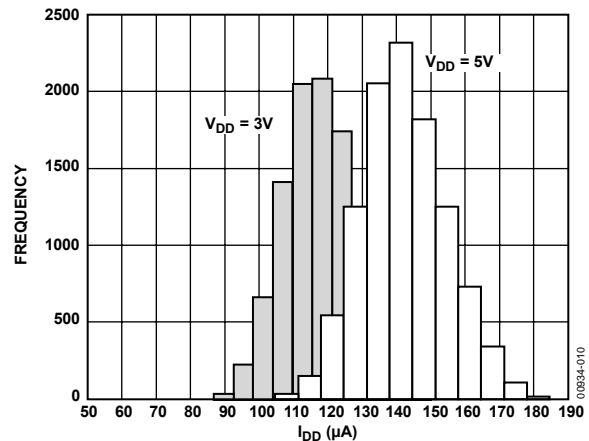


Figure 10.  $I_{DD}$  Histogram with  $V_{DD} = 3V$  and  $V_{DD} = 5V$





Figure 11. Source and Sink Current Capability with  $V_{DD} = 3V$



Figure 12. Source and Sink Current Capability with  $V_{DD} = 5V$



Figure 13. Supply Current vs. Code

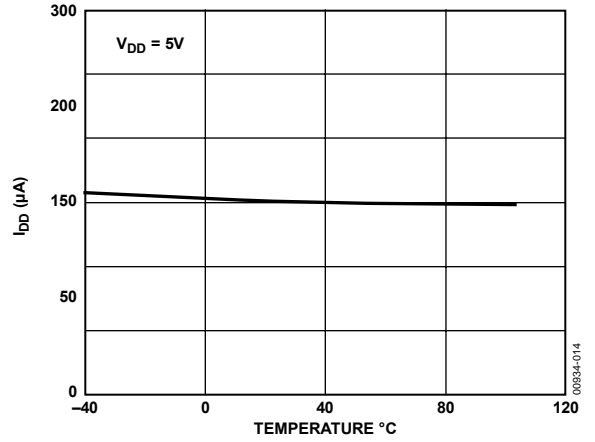


Figure 14. Supply Current vs. Temperature

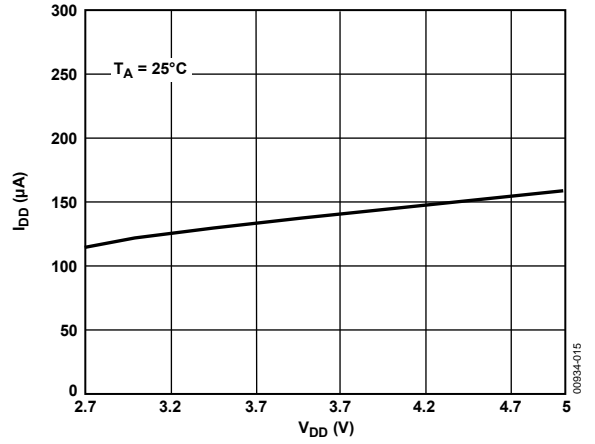


Figure 15. Supply Current vs. Supply Voltage



Figure 16. Power-Down Current vs. Supply Voltage

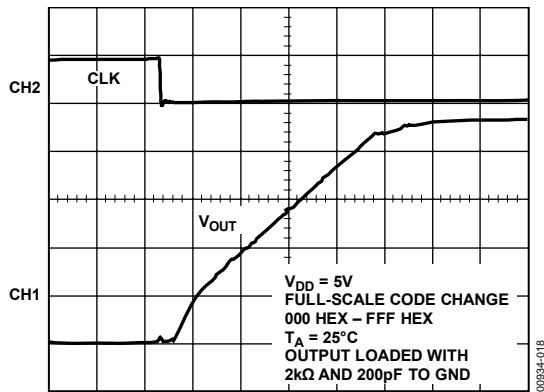


Figure 17. Supply Current vs. Logic Input Voltage



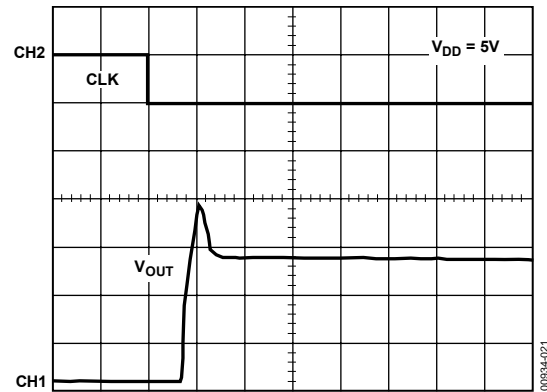
CH1 1V, CH2 1V, TIME BASE = 20µs/DIV

Figure 20. Power-On Reset to 0 V



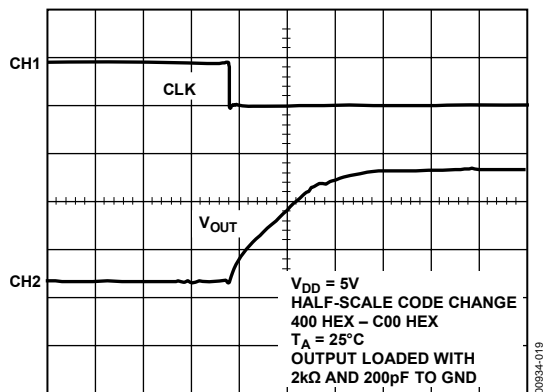
CH1 1V, CH2 5V, TIME BASE = 1µs/DIV

Figure 18. Full-Scale Settling Time



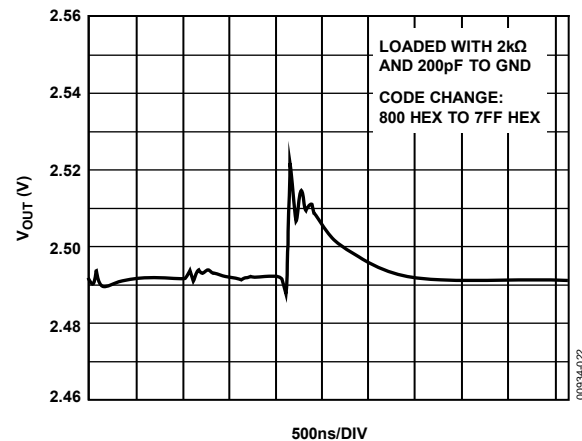
CH1 1V, CH2 5V, TIME BASE = 5µs/DIV

Figure 21. Exiting Power-Down (800 Hex Loaded)



CH1 1V, CH2 5V, TIME BASE = 1µs/DIV

Figure 19. Half-Scale Settling Time



500ns/DIV

Figure 22. Digital-to-Analog Glitch Impulse

## THEORY OF OPERATION

### D/A SECTION

The AD5320 DAC is fabricated on a CMOS process. The architecture consists of a string DAC followed by an output buffer amplifier. Because there is no reference input pin, the power supply ( $V_{DD}$ ) acts as the reference. Figure 23 shows a block diagram of the DAC architecture.



Figure 23. DAC Architecture

Since the input coding to the DAC is straight binary, the ideal output voltage is given by:

$$V_{OUT} = V_{DD} \times \left( \frac{D}{4096} \right)$$

where  $D$  = decimal equivalent of the binary code that is loaded to the DAC register; it can range from 0 to 4095.

### RESISTOR STRING

The resistor string section is shown in Figure 24. It is simply a string of resistors, each of value  $R$ . The code loaded to the DAC register determines at which node on the string the voltage is tapped off to be fed into the output amplifier. The voltage is tapped off by closing one of the switches connecting the string to the amplifier. Because it is a string of resistors, it is guaranteed monotonic.



Figure 24. Resistor String

### OUTPUT AMPLIFIER

The output buffer amplifier is capable of generating rail-to-rail voltages on its output that gives an output range of 0 V to  $V_{DD}$ . It is capable of driving a load of 2 k $\Omega$  in parallel with 1000 pF to GND. The source and sink capabilities of the output amplifier can be seen in Figure 11 and Figure 12. The slew rate is 1 V/ $\mu$ s with a half-scale settling time of 8  $\mu$ s with the output unloaded.

## SERIAL INTERFACE

The AD5320 has a 3-wire serial interface ( $\overline{\text{SYNC}}$ , SCLK, and DIN) that is compatible with SPI<sup>®</sup>, QSPI<sup>™</sup>, and MICROWIRE<sup>™</sup> interface standards as well as most DSPs. See Figure 2 for a timing diagram of a typical write sequence.

The write sequence begins by bringing the  $\overline{\text{SYNC}}$  line low. Data from the DIN line is clocked into the 16-bit shift register on the falling edge of SCLK. The serial clock frequency can be as high as 30 MHz, making the AD5320 compatible with high speed DSPs. On the 16th falling clock edge, the last data bit is clocked in and the programmed function is executed (that is, a change in DAC register contents and/or a change in the mode of operation). At this stage, the  $\overline{\text{SYNC}}$  line can be kept low or be brought high. In either case, it must be brought high for a minimum of 33 ns before the next write sequence so that a falling edge of  $\overline{\text{SYNC}}$  can initiate the next write sequence. Because the  $\overline{\text{SYNC}}$  buffer draws more current when  $V_{\text{IN}} = 2.4 \text{ V}$  than it does when  $V_{\text{IN}} = 0.8 \text{ V}$ ,  $\overline{\text{SYNC}}$  should be idled low between write sequences for even lower power operation of the part. As previously mentioned,  $\overline{\text{SYNC}}$  must be brought high again just before the next write sequence.

## INPUT SHIFT REGISTER

The input shift register is 16 bits wide (see Figure 25). The first two bits are “don’t cares.” The next two are control bits that control which mode of operation the part is in (normal mode or any one of three power-down modes). There is a more complete description of the various modes in the Power-Down Modes section. The next twelve bits are the data bits. These are transferred to the DAC register on the 16th falling edge of SCLK.



Figure 25. Input Register Contents

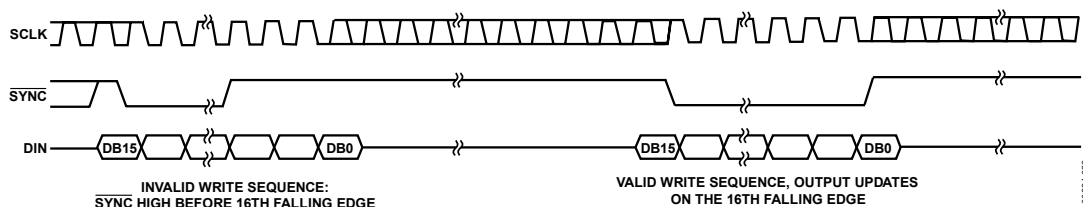


Figure 26.  $\overline{\text{SYNC}}$  Interrupt Facility

## $\overline{\text{SYNC}}$ INTERRUPT

In a normal write sequence, the  $\overline{\text{SYNC}}$  line is kept low for at least 16 falling edges of SCLK and the DAC is updated on the 16th falling edge. However, if  $\overline{\text{SYNC}}$  is brought high before the 16th falling edge, then this acts as an interrupt to the write sequence. The shift register is reset and the write sequence is seen as invalid. Neither an update of the DAC register contents nor a change in the operating mode occurs (see Figure 26).

## POWER-ON RESET

The AD5320 contains a power-on reset circuit that controls the output voltage during power-up. The DAC register is filled with zeros and the output voltage is 0 V. It remains there until a valid write sequence is made to the DAC. This is useful in applications where it is important to know the state of the output of the DAC while it is in the process of powering up.

## POWER-DOWN MODES

The AD5320 contains four separate modes of operation. These modes are software-programmable by setting two bits (DB13 and DB12) in the control register. Table 5 shows how the state of the bits corresponds to the mode of operation of the device.

**Table 5. Modes of Operation for the AD5320**

| DB13 | DB12 | Operating Mode        |
|------|------|-----------------------|
| 0    | 0    | Normal Operation      |
|      |      | Power-Down Modes      |
| 0    | 1    | 1 k $\Omega$ to GND   |
| 1    | 0    | 100 k $\Omega$ to GND |
| 1    | 1    | Three-State           |

When both bits are set to 0, the part works with its normal power consumption of 140  $\mu$ A at 5 V. However, for the three power-down modes, the supply current falls to 200 nA at 5 V (50 nA at 3 V). Not only does the supply current fall, but the output stage is also internally switched from the output of the amplifier to a resistor network of known values. This has the advantage that the output impedance of the part is known while the part is in power-down mode. There are three different options: the output is connected internally to GND through a 1 k $\Omega$  resistor, the output is connected internally to GND through a 100 k $\Omega$  resistor, or it is left open-circuited (three-state). The output stage is illustrated in Figure 27.



Figure 27. Output Stage During Power-Down

The bias generator, output amplifier, resistor string, and other associated linear circuitry are shut down when the power-down mode is activated. However, the contents of the DAC register are unaffected when in power-down. The time to exit power-down is typically 2.5  $\mu$ s for  $V_{DD} = 5$  V and 5  $\mu$ s for  $V_{DD} = 3$  V (see Figure 21).

## MICROPROCESSOR INTERFACING

### AD5320 TO ADSP-2101/ADSP-2103 INTERFACE

Figure 28 shows a serial interface between the AD5320 and the ADSP-2101/ADSP-2103. The ADSP-2101/ADSP-2103 should be set up to operate in the serial port (SPORT) transmit alternate framing mode. The ADSP-2101/ADSP-2103 SPORT are programmed through the SPORT control register and should be configured as follows: internal clock operation, active low framing, and 16-bit word length. Transmission is initiated by writing a word to the Tx register after the SPORT has been enabled.



Figure 28. AD5320 to ADSP-2101/ADSP-2103 Interface

### AD5320 TO 68HC11/68L11 INTERFACE

Figure 29 shows a serial interface between the AD5320 and the 68HC11/68L11 microcontroller. SCK of the 68HC11/68L11 drives the SCLK of the AD5320, while the MOSI output drives the serial data line of the DAC. The SYNC signal is derived from a port line (PC7). For correct operation of this interface, the 68HC11/68L11 should be configured so that the CPOL bit is a 0 and the CPHA bit is a 1. When data is being transmitted to the DAC, the SYNC line is taken low (PC7). When the 68HC11/68L11 are configured, data appearing on the MOSI output is valid on the falling edge of SCK as shown in Figure 29.

Serial data from the 68HC11/68L11 is transmitted in 8-bit bytes with only eight falling clock edges occurring in the transmit cycle. Data is transmitted MSB first. In order to load data to the AD5320, PC7 is left low after the first eight bits are transferred, and a second serial write operation is performed to the DAC and PC7 is taken high at the end of this procedure.



Figure 29. AD5320 to 68HC11/68L11 Interface

### AD5320 TO 80C51/80L51 INTERFACE

Figure 30 shows a serial interface between the AD5320 and the 80C51/80L51 microcontrollers. TXD of the 80C51/80L51 drives SCLK of the AD5320, while RXD drives the serial data line of the part. The SYNC signal is again derived from a bit programmable pin on the port. In this case, port line P3.3 is used. When data is to be transmitted to the AD5320, P3.3 is taken low. The 80C51/80L51 transmits data only in 8-bit bytes; thus only eight falling clock edges occur in the transmit cycle. To load data to the DAC, P3.3 is left low after the first eight bits are transmitted, and a second write cycle is initiated to transmit the second byte of data. P3.3 is taken high following the completion of this cycle. The 80C51/80L51 output the serial data in a format that has the LSB first. The AD5320 requires its data with the MSB as the first bit received. The 80C51/80L51 transmit routine should consider this.

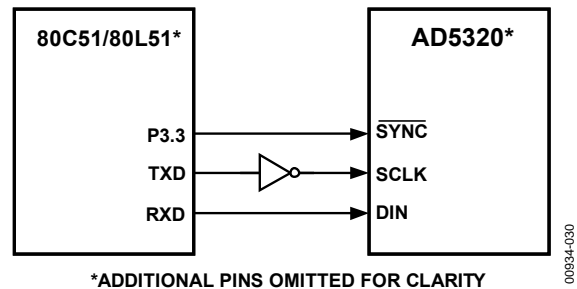


Figure 30. AD5320 to 80C51/80L51 Interface

### AD5320 TO MICROWIRE INTERFACE

Figure 31 shows an interface between the AD5320 and any MICROWIRE-compatible device. Serial data is shifted out on the falling edge of the serial clock and is clocked into the AD5320 on the rising edge of the SK.

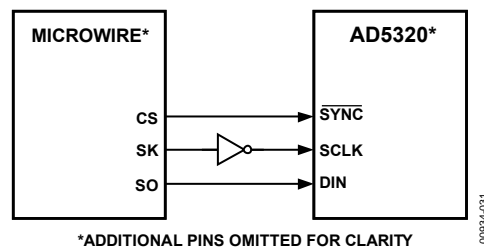


Figure 31. AD5320 to MICROWIRE Interface

## APPLICATIONS

### USING REF19X AS A POWER SUPPLY FOR AD5320

Because the supply current required by the AD5320 is extremely low, an alternative option is to use a REF19x voltage reference (REF195 for 5 V or REF193 for 3 V) to supply the required voltage to the part (see Figure 32). This is especially useful if the power supply is noisy or if the system supply voltages are at some value other than 5 V or 3 V (such as 15 V). The REF19x outputs a steady supply voltage for the AD5320. If the low dropout REF195 is used, the current it needs to supply to the AD5320 is 140  $\mu$ A. This is with no load on the output of the DAC. When the DAC output is loaded, the REF195 also needs to supply the current to the load. The total current required (with a 5 k $\Omega$  load on the DAC output) is:

$$140 \mu\text{A} + (5 \text{ V}/5 \text{ k}\Omega) = 1.14 \text{ mA}$$

The load regulation of the REF195 is typically 2 ppm/mA, which results in an error of 2.3 ppm (11.5  $\mu$ V) for the 1.14 mA current drawn from it. This corresponds to a 0.009 LSB error.



Figure 32. REF195 as Power Supply to AD5320

### BIPOLAR OPERATION USING THE AD5320

The AD5320 is designed for single-supply operation but a bipolar output range is also possible using the circuit in Figure 33. The circuit below gives an output voltage range of  $\pm 5$  V. Rail-to-rail operation at the amplifier output is achievable using an AD820 or an OP295 as the output amplifier.

The output voltage for any input code can be calculated as follows:

$$V_O = \left[ V_{DD} \times \left( \frac{D}{4096} \right) \times \left( \frac{R1 + R2}{R1} \right) - V_{DD} \times \left( \frac{R2}{R1} \right) \right]$$

where  $D$  represents the input code in decimal (0 to 4095).

With  $V_{DD} = 5$  V,  $R1 = R2 = 10$  k $\Omega$ :

$$V_O = \left( \frac{10 \times D}{4096} \right) - 5 \text{ V}$$

This is an output voltage range of  $\pm 5$  V with 000 hex corresponding to a  $-5$  V output and FFF hex corresponding to a  $+5$  V output.

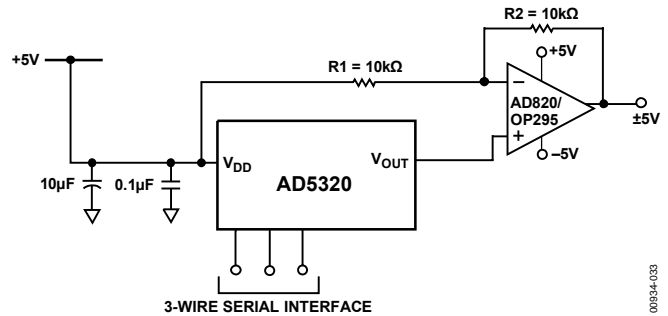


Figure 33. Bipolar Operation with the AD5320

### USING AD5320 WITH AN OPTO-ISOLATED INTERFACE

For process control applications in industrial environments, it is often necessary to use an opto-isolated interface to protect and isolate the controlling circuitry from any hazardous common-mode voltages that can occur in the area where the DAC is functioning. Opto-isolators provide isolation in excess of 3 kV. Because the AD5320 uses a 3-wire serial logic interface, it requires only three opto-isolators to provide the required isolation (see Figure 34). The power supply to the part also needs to be isolated. This is done by using a transformer. On the DAC side of the transformer, a 5 V regulator provides the 5 V supply required for the AD5320.

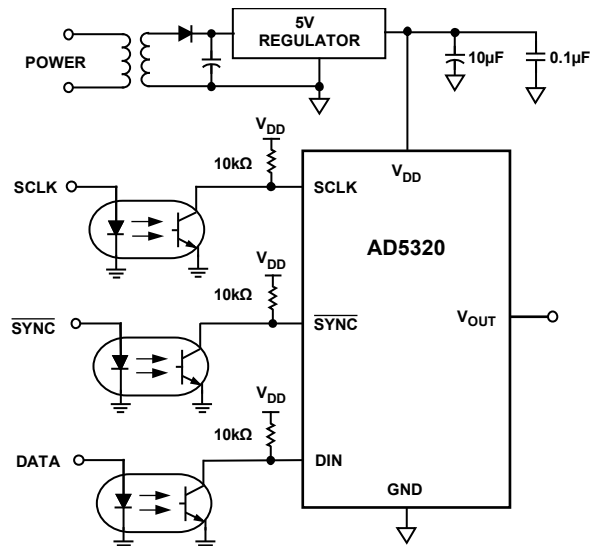


Figure 34. AD5320 with An Opto-Isolated Interface

## POWER SUPPLY BYPASSING AND GROUNDING

When accuracy is important in a circuit, it is helpful to consider carefully the power supply and ground return layout on the board. The printed circuit board containing the AD5320 should have separate analog and digital sections, each having its own area of the board. If the AD5320 is in a system where other devices require an AGND to DGND connection, the connection should be made at one point only. This ground point should be as close as possible to the AD5320.

The power supply to the AD5320 should be bypassed with 10  $\mu\text{F}$  capacitors and 0.1  $\mu\text{F}$  capacitors. The capacitors should be physically as close as possible to the device with the 0.1  $\mu\text{F}$  capacitors ideally against the device. The 10  $\mu\text{F}$  capacitors are the tantalum bead type. It is important that the 0.1  $\mu\text{F}$  capacitors have low effective series resistance (ESR) and effective series inductance (ESI), such as common ceramic types of capacitors. The 0.1  $\mu\text{F}$  capacitors provide a low impedance path to ground for high frequencies caused by transient currents due to internal logic switching.

The power supply line itself should have as large a trace as possible to provide a low impedance path and reduce glitch effects on the supply line. Clocks and other fast switching digital signals should be shielded from other parts of the board by digital ground. Avoid crossover of digital and analog signals if possible. When traces cross on opposite sides of the board, ensure that they run at right angles to each other to reduce feedthrough effects through the board. The best board layout technique is the microstrip technique where the component side of the board is dedicated to the ground plane only and the signal traces are placed on the solder side. However, this is not always possible with a two-layer board.



### OUTLINE DIMENSIONS



COMPLIANT TO JEDEC STANDARDS MO-178-AB

Figure 35. 6-Lead Small Outline Transistor Package [SOT-23] (RT-6)

Dimensions shown in millimeters



COMPLIANT TO JEDEC STANDARDS MO-187-AA

Figure 36. 8-Lead Mini Small Outline Package [MSOP] (RM-8)

Dimensions shown in millimeters

### ORDERING GUIDE

| Model                          | Temperature Range | Package Description                              | Branding | Package Option |
|--------------------------------|-------------------|--|----------|----------------|
| AD5320BRM                      | -40°C to +105°C   | 8-Lead Mini Small Outline Package [MSOP]         | D4B      | RM-8           |
| AD5320BRM-REEL                 | -40°C to +105°C   | 8-Lead Mini Small Outline Package [MSOP]         | D4B      | RM-8           |
| AD5320BRM-REEL7                | -40°C to +105°C   | 8-Lead Mini Small Outline Package [MSOP]         | D4B      | RM-8           |
| AD5320BRMZ <sup>1</sup>        | -40°C to +105°C   | 8-Lead Mini Small Outline Package [MSOP]         | D9N      | RM-8           |
| AD5320BRMZ-REEL <sup>1</sup>   | -40°C to +105°C   | 8-Lead Mini Small Outline Package [MSOP]         | D9N      | RM-8           |
| AD5320BRMZ-REEL7 <sup>1</sup>  | -40°C to +105°C   | 8-Lead Mini Small Outline Package [MSOP]         | D9N      | RM-8           |
| AD5320BRT-500RL7               | -40°C to +105°C   | 6-Lead Small Outline Transistor Package [SOT-23] | D4B      | RT-6           |
| AD5320BRT-REEL                 | -40°C to +105°C   | 6-Lead Small Outline Transistor Package [SOT-23] | D4B      | RT-6           |
| AD5320BRT-REEL7                | -40°C to +105°C   | 6-Lead Small Outline Transistor Package [SOT-23] | D4B      | RT-6           |
| AD5320BRTZ-500RL7 <sup>1</sup> | -40°C to +105°C   | 6-Lead Small Outline Transistor Package [SOT-23] | D9N      | RT-6           |
| AD5320BRTZ-REEL <sup>1</sup>   | -40°C to +105°C   | 6-Lead Small Outline Transistor Package [SOT-23] | D9N      | RT-6           |
| AD5320BRTZ-REEL7 <sup>1</sup>  | -40°C to +105°C   | 6-Lead Small Outline Transistor Package [SOT-23] | D9N      | RT-6           |

<sup>1</sup> Z = Pb-free part.

**AD5320**

**NOTES**

**NOTES**

**AD5320**

**NOTES**

Компания «Life Electronics» занимается поставками электронных компонентов импортного и отечественного производства от производителей и со складов крупных дистрибьюторов Европы, Америки и Азии.

С конца 2013 года компания активно расширяет линейку поставок компонентов по направлению коаксиальный кабель, кварцевые генераторы и конденсаторы (керамические, пленочные, электролитические), за счёт заключения дистрибьюторских договоров

Мы предлагаем:

- Конкурентоспособные цены и скидки постоянным клиентам.
- Специальные условия для постоянных клиентов.
- Подбор аналогов.
- Поставку компонентов в любых объемах, удовлетворяющих вашим потребностям.
- Приемлемые сроки поставки, возможна ускоренная поставка.
- Доставку товара в любую точку России и стран СНГ.
- Комплексную поставку.
- Работу по проектам и поставку образцов.
- Формирование склада под заказчика.
- Сертификаты соответствия на поставляемую продукцию (по желанию клиента).
- Тестирование поставляемой продукции.
- Поставку компонентов, требующих военную и космическую приемку.
- Входной контроль качества.
- Наличие сертификата ISO.

В составе нашей компании организован Конструкторский отдел, призванный помогать разработчикам, и инженерам.

Конструкторский отдел помогает осуществить:

- Регистрацию проекта у производителя компонентов.
- Техническую поддержку проекта.
- Защиту от снятия компонента с производства.
- Оценку стоимости проекта по компонентам.
- Изготовление тестовой платы монтаж и пусконаладочные работы.



Тел: +7 (812) 336 43 04 (многоканальный)

Email: [org@lifeelectronics.ru](mailto:org@lifeelectronics.ru)