

**BATTERY PROTECTION IC
FOR 2-SERIAL-CELL PACK**www.sii-ic.com

© Seiko Instruments Inc., 1999-2015

Rev.6.2_00

The S-8232 series is a lithium-ion / lithium-polymer rechargeable battery protection IC incorporating high-accuracy voltage detection circuit and delay circuit.

The S-8232 series is suitable for 2-cell serial lithium-ion / lithium-polymer battery packs.

■ Features

- (1) Internal high-accuracy voltage detection circuit
 - Overcharge detection voltage 3.85 V ± 25 mV to 4.60 V ± 25 mV Applicable in 5 mV step
 - Overcharge release voltage 3.60 V ± 50 mV to 4.60 V ± 50 mV Applicable in 5 mV step
(The overcharge release voltage can be selected within the range where a difference from overcharge detection voltage is 0 V to 0.3 V.)
 - Overdischarge detection voltage 1.70 V ± 80 mV to 2.60 V ± 80 mV Applicable in 50 mV step
 - Overdischarge release voltage 1.70 V ± 100 mV to 3.80 V ± 100 mV Applicable in 50 mV step
(The overdischarge release voltage can be selected within the range where a difference from overdischarge detection voltage is 0 V to 1.2 V.)
 - Overcurrent detection voltage 1 0.07 V ± 20 mV to 0.30 V ± 20 mV Applicable in 5 mV step
- (2) High input-voltage device : Absolute maximum ratings 18 V.
- (3) Wide operating voltage range : 2.0 V to 16 V
- (4) The delay time for every detection can be set via an external capacitor.
(Each delay time for Overcharge detection, Overdischarge detection, Overcurrent detection are "Proportion of hundred to ten to one".)
- (5) Two overcurrent detection levels (Protection for short-circuiting)
- (6) Internal auxiliary over voltage detection circuit (Fail-safe for overcharge detection voltage)
- (7) Internal charge circuit for 0 V battery (Unavailable is option)
- (8) Low current consumption
 - Operation mode 7.5 μA typ. 14.2 μA max. (– 40°C to + 85°C)
 - Power-down mode 0.2 nA typ. 0.1 μA max. (– 40°C to + 85°C)
- (9) Lead-free, Sn100%, halogen-free*1

*1. Refer to "■ Product Name Structure" for details.

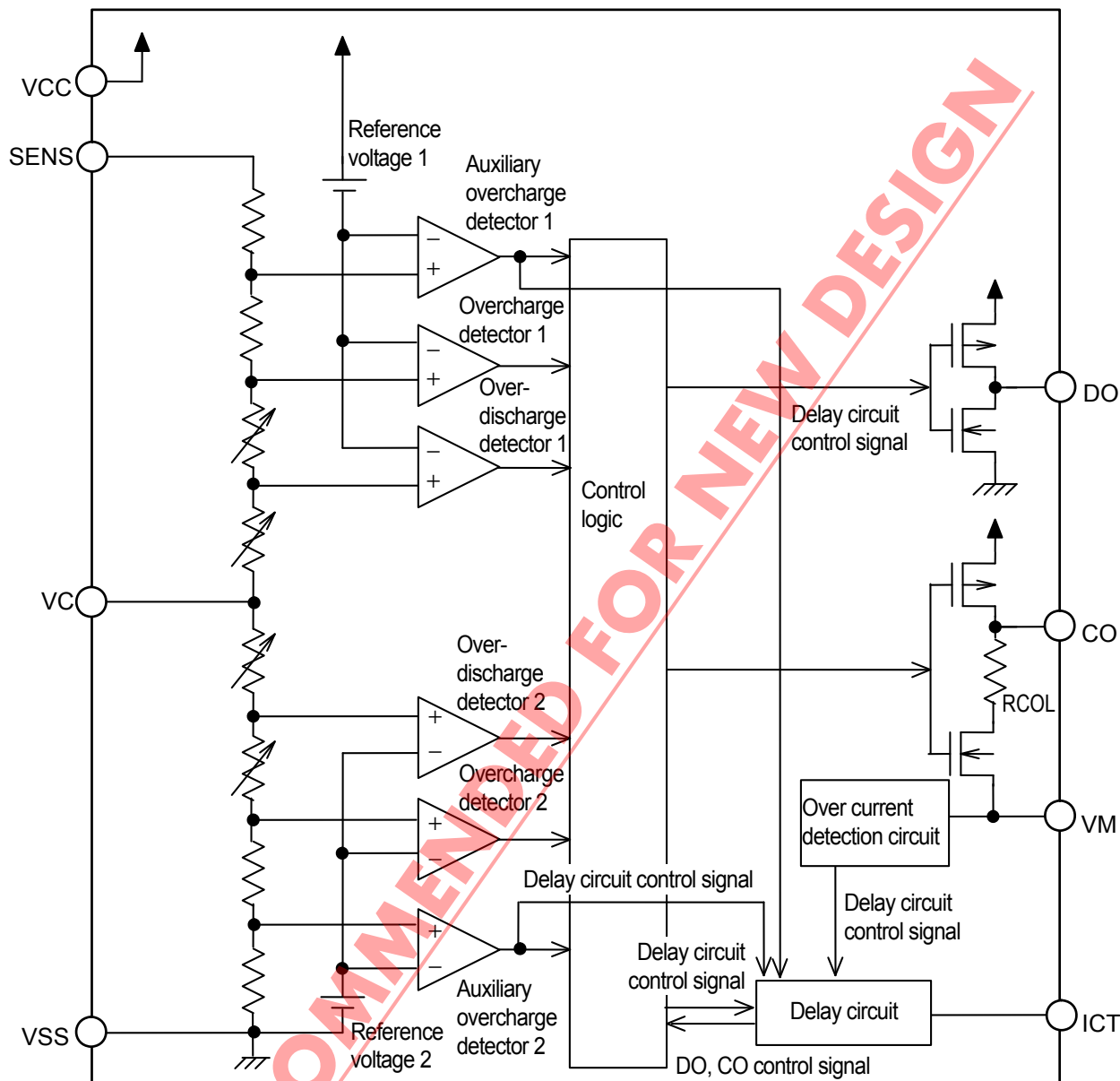
■ Applications

- Lithium-ion rechargeable battery packs
- Lithium- polymer rechargeable battery packs

■ Package

- 8-Pin TSSOP

■ **Block Diagram**

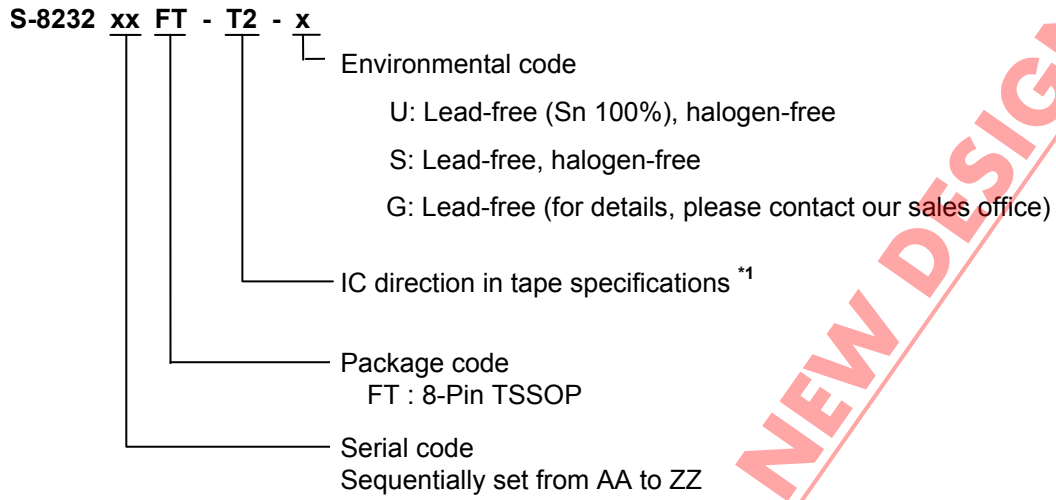


Remark Resistor (RCOL) is connected to the Nch transistor although CO pin serves as a CMOS output. For this, impedance becomes high when outputting “L” from CO pin. Refer to the “■ **Electrical Characteristics**” for the impedance value.

Figure 1

■ **Product Name Structure**

1. **Product Name**



*1. Refer to the tape specifications.

2. **Package**

| Package Name | Drawing Code | | |
|--------------|--------------|--------------|--------------|
| | Package | Tape | Reel |
| 8-Pin TSSOP | FT008-A-P-SD | FT008-E-C-SD | FT008-E-R-SD |

NOT RECOMMENDED FOR NEW DESIGN

3. Product Name List

Table 1 (1 / 2)

| Product name | Overcharge detection voltage 1, 2 [V _{CU}] | Overcharge release voltage 1, 2 [V _{CD}] | Overdischarge detection voltage 1, 2 [V _{DD}] | Overdischarge release voltage 1, 2 [V _{DU}] | Overcurrent detection voltage 1 [V _{IOV1}] | Overcharge detection delay time [t _{CU}] (C3 = 0.22 μF) | 0 V battery charging function |
|-------------------------------|--|--|---|---|--|--|-------------------------------|
| S-8232AAFT-T2-x | 4.25 V ± 25 mV | 4.05 V ± 50 mV | 2.40 V ± 80 mV | 3.00 V ± 100 mV | 0.150 V ± 20 mV | 1.0 s | Available |
| S-8232ABFT-T2-x | 4.35 V ± 25 mV | 4.15 V ± 50 mV | 2.30 V ± 80 mV | 3.00 V ± 100 mV | 0.300 V ± 20 mV | 1.0 s | Available |
| S-8232ACFT-T2-x | 4.35 V ± 25 mV | 4.15 V ± 50 mV | 2.30 V ± 80 mV | 3.00 V ± 100 mV | 0.300 V ± 20 mV | 1.0 s | Unavailable |
| S-8232AEFT-T2-x | 4.35 V ± 25 mV | 4.28 V ± 50 mV | 2.15 V ± 80 mV | 2.80 V ± 100 mV | 0.100 V ± 20 mV | 1.0 s | Available |
| S-8232AFFT-T2-x | 4.25 V ± 25 mV | 4.05 V ± 50 mV | 2.30 V ± 80 mV | 2.70 V ± 100 mV | 0.300 V ± 20 mV | 1.0 s | Available |
| S-8232AGFT-T2-x | 4.25 V ± 25 mV | 4.05 V ± 50 mV | 2.20 V ± 80 mV | 2.40 V ± 100 mV | 0.200 V ± 20 mV | 1.0 s | Available |
| S-8232AHFT-T2-x | 4.25 V ± 25 mV | 4.05 V ± 50 mV | 2.20 V ± 80 mV | 2.40 V ± 100 mV | 0.300 V ± 20 mV | 1.0 s | Available |
| S-8232AIFT-T2-x | 4.325 V ± 25 mV | 4.325 V ± 25 mV ^{*1 *2} | 2.40 V ± 80 mV | 3.00 V ± 100 mV | 0.300 V ± 20 mV | 1.0 s | Unavailable |
| S-8232AJFT-T2-x | 4.25 V ± 25 mV | 4.05 V ± 50 mV | 2.40 V ± 80 mV | 3.00 V ± 100 mV | 0.150 V ± 20 mV | 1.0 s | Unavailable |
| S-8232AKFT-T2-x | 4.20 V ± 25 mV | 4.00 V ± 50 mV | 2.30 V ± 80 mV | 2.90 V ± 100 mV | 0.200 V ± 20 mV | 1.0 s | Available |
| S-8232ALFT-T2-x | 4.30 V ± 25 mV | 4.05 V ± 50 mV | 2.00 V ± 80 mV | 3.00 V ± 100 mV | 0.200 V ± 20 mV | 1.0 s | Available |
| S-8232AMFT-T2-x | 4.19 V ± 25 mV | 4.19 V ± 25 mV ^{*1} | 2.00 V ± 80 mV | 3.00 V ± 100 mV | 0.190 V ± 20 mV | 1.0 s | Available |
| S-8232ANFT-T2-x | 4.325 V ± 25 mV | 4.325 V ± 25 mV ^{*1 *3} | 2.40 V ± 80 mV | 3.00 V ± 100 mV | 0.300 V ± 20 mV | 1.0 s | Unavailable |
| S-8232AOFT-T2-x | 4.30 V ± 25 mV | 4.05 V ± 50 mV | 2.00 V ± 80 mV | 3.00 V ± 100 mV | 0.230 V ± 20 mV | 1.0 s | Available |
| S-8232APFT-T2-x | 4.28 V ± 25 mV | 4.05 V ± 50 mV | 2.30 V ± 80 mV | 2.90 V ± 100 mV | 0.100 V ± 20 mV | 1.0 s | Unavailable |
| S-8232ARFT-T2-x | 4.325 V ± 25 mV | 4.325 V ± 25 mV ^{*1 *3} | 2.00 V ± 80 mV | 2.50 V ± 100 mV | 0.300 V ± 20 mV | 1.0 s | Unavailable |
| S-8232ASFT-T2-x ^{*4} | 4.295 V ± 25 mV | 4.20 V ± 50 mV ^{*3} | 2.30 V ± 80 mV | 3.00 V ± 100 mV | 0.300 V ± 20 mV | 1.0 s | Unavailable |
| S-8232ATFT-T2-x | 4.125 V ± 25 mV | 4.125 V ± 25 mV ^{*1} | 2.00 V ± 80 mV | 3.00 V ± 100 mV | 0.190 V ± 20 mV | 1.0 s | Available |
| S-8232AUFT-T2-x | 4.30 V ± 25 mV | 4.10 V ± 50 mV | 2.40 V ± 80 mV | 3.00 V ± 100 mV | 0.200 V ± 20 mV | 1.0 s | Unavailable |
| S-8232AVFT-T2-x | 4.30 V ± 25 mV | 4.05 V ± 50 mV | 2.00 V ± 80 mV | 3.00 V ± 100 mV | 0.300 V ± 20mV | 1.0 s | Available |
| S-8232AWFT-T2-x | 4.35 V ± 25 mV | 4.15 V ± 50 mV | 2.30 V ± 80 mV | 3.00 V ± 100 mV | 0.150 V ± 20 mV | 1.0 s | Unavailable |
| S-8232AXFT-T2-x | 4.325 V ± 25 mV | 4.200 V ± 50 mV | 2.30 V ± 80 mV | 3.00 V ± 100 mV | 0.20 V ± 20 mV | 1.0 s | Unavailable |
| S-8232AYFT-T2-x | 4.30 V ± 25 mV | 4.05 V ± 50 mV | 2.00 V ± 80 mV | 2.00 V ± 80 mV | 0.20 V ± 20 mV | 1.0 s | Available |
| S-8232AZFT-T2-x | 4.30 V ± 25 mV | 4.05 V ± 50 mV | 2.30 V ± 80 mV | 2.30 V ± 80 mV | 0.20 V ± 20 mV | 1.0 s | Available |
| S-8232NAFT-T2-x | 4.325 V ± 25 mV | 4.325 V ± 25 mV ^{*1 *3} | 2.40 V ± 80 mV | 3.00 V ± 100 mV | 0.15 V ± 20 mV | 1.0 s | Unavailable |
| S-8232NBFT-T2-x | 4.35 V ± 25 mV | 4.25 V ± 50 mV | 3.00 V ± 80 mV | 3.70 V ± 100 mV | 0.30 V ± 20 mV | 1.0 s | Unavailable |
| S-8232NCFT-T2-x | 4.275 V ± 25 mV | 4.05 V ± 50 mV | 2.20 V ± 80 mV | 3.00 V ± 100 mV | 0.20 V ± 20 mV | 1.0 s | Unavailable |
| S-8232NDFT-T2-x | 4.35 V ± 25 mV | 4.15 V ± 50 mV | 2.30 V ± 80 mV | 2.30 V ± 80 mV | 0.15 V ± 20 mV | 1.0 s | Available |
| S-8232NEFT-T2-x | 4.35 V ± 25 mV | 4.15 V ± 50 mV | 2.30 V ± 80 mV | 3.00 V ± 100 mV | 0.23 V ± 20 mV | 1.0 s | Available |
| S-8232NFFT-T2-x | 4.325 V ± 25 mV | 4.1 V ± 50 mV ^{*3} | 2.30 V ± 80 mV | 2.90 V ± 100 mV | 0.21 V ± 20 mV | 1.0 s | Unavailable |
| S-8232NGFT-T2-x | 4.35 V ± 25 mV | 4.15 V ± 50 mV | 2.60 V ± 80 mV | 3.00 V ± 100 mV | 0.30 V ± 20 mV | 1.0 s | Available |
| S-8232NHFT-T2-x | 4.28 V ± 25 mV | 4.05 V ± 50 mV | 2.30 V ± 80 mV | 2.90 V ± 100 mV | 0.11 V ± 20 mV | 1.0 s | Unavailable |
| S-8232NIFT-T2-x | 4.25 V ± 25 mV | 4.05 V ± 50 mV ^{*3} | 2.50 V ± 80 mV | 3.00 V ± 100 mV | 0.15 V ± 20 mV | 1.0 s | Unavailable |
| S-8232NJFT-T2-x | 4.28 V ± 25 mV | 4.05 V ± 50 mV | 2.30 V ± 80 mV | 2.90 V ± 100 mV | 0.11 V ± 20 mV | 1.0 s | Available |
| S-8232NKFT-T2-x | 4.35 V ± 25 mV | 4.15 V ± 50 mV | 2.30 V ± 80 mV | 2.30 V ± 80 mV | 0.12 V ± 20 mV | 1.0 s | Available |
| S-8232NLFT-T2-x | 4.30 V ± 25 mV | 4.05 V ± 50 mV | 2.30 V ± 80 mV | 3.00 V ± 100 mV | 0.23 V ± 20 mV | 1.0 s | Available |
| S-8232NMFT-T2-x | 4.28 V ± 25 mV | 4.05 V ± 50 mV | 2.30 V ± 80 mV | 2.90 V ± 100 mV | 0.08 V ± 20 mV | 1.0 s | Available |

Table 1 (2 / 2)

| Product name | Overcharge detection voltage 1, 2 [V _{CU}] | Overcharge release voltage 1, 2 [V _{CD}] | Overdischarge detection voltage 1, 2 [V _{DD}] | Overdischarge release voltage 1, 2 [V _{DU}] | Overcurrent detection voltage 1 [V _{IOV1}] | Overcharge detection delay time [t _{CU}] (C3 = 0.22 μF) | 0 V battery charging function |
|-----------------|--|--|---|---|--|--|-------------------------------|
| S-8232NNFT-T2-x | 4.28 V ± 25 mV | 4.08 V ± 50 mV ³ | 2.20 V ± 80 mV | 2.40 V ± 100 mV | 0.13 V ± 20 mV | 1.0 s | Unavailable |
| S-8232NOFT-T2-x | 4.295 V ± 25 mV | 4.045 V ± 50 mV ³ | 2.20 V ± 80 mV | 2.40 V ± 100 mV | 0.13 V ± 20 mV | 1.0 s | Unavailable |
| S-8232NPFT-T2-x | 4.25 V ± 25 mV | 4.05 V ± 50 mV | 2.30 V ± 80 mV | 3.00 V ± 100 mV | 0.30 V ± 20 mV | 1.0 s | Unavailable |
| S-8232NQFT-T2-x | 4.25 V ± 25 mV | 4.05 V ± 50 mV | 2.60 V ± 80 mV | 3.00 V ± 100 mV | 0.30 V ± 20 mV | 1.0 s | Unavailable |
| S-8232NRFT-T2-x | 4.15 V ± 25 mV | 3.95 V ± 50 mV | 2.60 V ± 80 mV | 3.00 V ± 100 mV | 0.30 V ± 20 mV | 1.0 s | Unavailable |
| S-8232NSFT-T2-x | 4.15 V ± 25 mV | 3.95 V ± 50 mV | 2.30 V ± 80 mV | 3.00 V ± 100 mV | 0.30 V ± 20 mV | 1.0 s | Unavailable |
| S-8232NTFT-T2-x | 4.225 V ± 25 mV | 4.15 V ± 50 mV | 2.00 V ± 80 mV | 2.00 V ± 80 mV | 0.09 V ± 20 mV | 1.0 s | Unavailable |
| S-8232NUFT-T2-x | 3.85 V ± 25 mV | 3.75 V ± 50 mV | 2.23 V ± 80 mV | 2.23 V ± 80 mV | 0.15 V ± 20 mV | 1.0 s | Available |
| S-8232NWFT-T2-x | 4.21 V ± 25 mV | 4.125 V ± 50 mV | 2.00 V ± 80 mV | 2.00 V ± 80 mV | 0.09 V ± 20 mV | 1.0 s | Unavailable |
| S-8232NXFT-T2-x | 4.25 V ± 25 mV | 4.05 V ± 50 mV | 2.80 V ± 80 mV | 3.10 V ± 100 mV | 0.30 V ± 20 mV | 1.0 s | Unavailable |
| S-8232NYFT-T2-x | 4.25 V ± 25 mV | 4.15 V ± 50 mV | 2.90 V ± 80 mV | 3.10 V ± 100 mV | 0.30 V ± 20 mV | 1.0 s | Unavailable |
| S-8232NZFT-T2-x | 4.21 V ± 25 mV | 3.98 V ± 50 mV | 2.30 V ± 80 mV | 2.90 V ± 100 mV | 0.11 V ± 20 mV | 1.0 s | Unavailable |
| S-8232PAFT-T2-x | 4.305 V ± 25 mV | 4.125 V ± 50 mV | 2.00 V ± 80 mV | 2.00 V ± 80 mV | 0.09 V ± 20 mV | 1.0 s | Unavailable |
| S-8232PBFT-T2-y | 4.35 V ± 25 mV | 4.15 V ± 50 mV | 2.30 V ± 80 mV | 3.00 V ± 100 mV | 0.20 V ± 20 mV | 1.0 s | Unavailable |
| S-8232PCFT-T2-x | 4.21 V ± 25 mV | 4.00 V ± 50 mV | 2.40 V ± 80 mV | 3.00 V ± 100 mV | 0.20 V ± 20 mV | 1.0 s | Unavailable |
| S-8232PFFT-T2-U | 4.225 V ± 25 mV | 4.025 V ± 50 mV ² | 2.70 V ± 80 mV | 3.40 V ± 100 mV | 0.15 V ± 20 mV | 1.0 s | Unavailable |

- *1. No overcharge detection / release hysteresis
- *2. The magnification of final overcharge is 1.11; the others are 1.25.
- *3. No final overcharging function
- *4. Refer to the *2 in the “■ Operation”.
(Overcharge detection/release hysteresis”, “no final overcharge function”, and “0 V battery charge inhibiting function)

Remark 1. Please contact our sales office for the products with detection voltage value other than those specified above.

- 2. x: G or U
y: S or U
- 3. Please select products of environmental code = U for Sn 100%, halogen-free products.
- 4. The overdischarge detection voltage can be selected within the range from 1.7 to 3.0 V. When the overdischarge detection voltage is higher than 2.6 V, the overcharge detection voltage and the overcharge release voltage are limited as “Table 2”.

Table 2

| Overdischarge detection voltage 1, 2 [V _{DD}] | Overcharge detection voltage 1, 2 [V _{CU}] | Voltage difference between overcharge detection voltage and overcharge release voltage [V _{CU} - V _{CD}] |
|---|--|---|
| 1.70 V to 2.60 V | 3.85 V to 4.60 V | 0 V to 0.30 V |
| 1.70 V to 2.80 V | 3.85 V to 4.60 V | 0 V to 0.20 V |
| 1.70 V to 3.00 V | 3.85 V to 4.50 V | 0 V to 0.10 V |

■ **Pin Configuration**



Figure 2

Table 3

| Pin No. | Symbol | Description |
|---------|--------|--|
| 1 | SENS | Detection pin for voltage between VC and SENS (Detection pin for overcharge and overdischarge) |
| 2 | DO | FET gate connection pin for discharge control (CMOS output) |
| 3 | CO | FET gate connection pin for charge control (CMOS output) |
| 4 | VM | Detection pin for voltage between VSS and VM (Overcurrent detection pin) |
| 5 | VSS | Input pin for negative power supply |
| 6 | ICT | Capacitor connection pin for detection delay |
| 7 | VC | Input pin for middle voltage |
| 8 | VCC | Input pin for positive power supply |

NOT RECOMMENDED FOR NEW DESIGNS

■ **Absolute Maximum Ratings**

Table 4

(Ta = 25°C unless otherwise specified)

| Item | Symbol | Applied Pin | Absolute Maximum Rating | Unit |
|-----------------------------------|-------------------|-------------|--|------|
| Input voltage between VCC and VSS | V _{DS} | VCC | V _{SS} - 0.3 to V _{SS} + 18 | V |
| SENS input pin voltage | V _{SENS} | SENS | V _{SS} - 0.3 to V _{CC} + 0.3 | V |
| ICT input pin voltage | V _{ICT} | ICT | V _{SS} - 0.3 to V _{CC} + 0.3 | V |
| VM input pin voltage | V _{VM} | VM | V _{CC} - 18 to V _{CC} + 0.3 | V |
| DO output pin voltage | V _{DO} | DO | V _{SS} - 0.3 to V _{CC} + 0.3 | V |
| CO output pin voltage | V _{CO} | CO | V _{VM} - 0.3 to V _{CC} + 0.3 | V |
| Power dissipation | P _D | — | 300 (When not mounted on board) | mW |
| | | | 700*1 | mW |
| Operating ambient temperature | T _{opr} | — | -40 to +85 | °C |
| Storage temperature | T _{stg} | — | -40 to +125 | °C |

*1. When mounted on board

[Mounted board]

- (1) Board size : 114.3 mm × 76.2 mm × 1.6 mm
- (2) Name : JEDEC STANDARD51-7

Caution The absolute maximum ratings are rated values exceeding which the product could suffer physical damage. These values must therefore not be exceeded under any conditions.

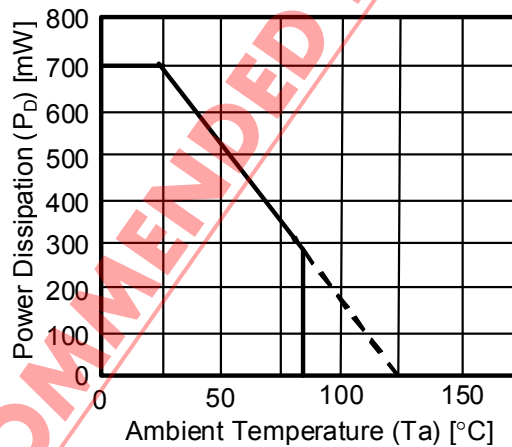


Figure 3 Power Dissipation of Package (When Mounted on Board)

■ **Electrical Characteristics**

Table 5

(Ta = 25°C unless otherwise specified)

| Item | Symbol | Condition | Min. | Typ. | Max. | Unit | Test Condition | Test Circuit |
|---|----------------|---|-------------------------|-------------------------|-------------------------|-------|----------------|--------------|
| DETECTION VOLTAGE | | | | | | | | |
| Overcharge detection voltage 1, 2 | $V_{CU1,2}$ | 3.85 V to 4.60 V, Adjustable | $V_{CU1,2} - 0.025$ | $V_{CU1,2}$ | $V_{CU1,2} + 0.025$ | V | 1, 2 | 1 |
| Auxiliary overcharge detection voltage 1, 2 *1 $V_{CUaux1}, V_{CUaux2} = V_{CU1}, V_{CU2} \times 1.25$ or $V_{CUaux1}, V_{CUaux2} = V_{CU1}, V_{CU2} \times 1.11$ | $V_{CUaux1,2}$ | $V_{CU1,2} \times 1.25$ | $V_{CU1,2} \times 1.21$ | $V_{CU1,2} \times 1.25$ | $V_{CU1,2} \times 1.29$ | V | 1, 2 | 1 |
| | $V_{CUaux1,2}$ | $V_{CU1,2} \times 1.11$ | $V_{CU1,2} \times 1.07$ | $V_{CU1,2} \times 1.11$ | $V_{CU1,2} \times 1.15$ | V | 1, 2 | 1 |
| Overcharge release voltage 1, 2 | $V_{CD1,2}$ | 3.60 V to 4.60 V, Adjustable | $V_{CD1,2} - 0.050$ | $V_{CD1,2}$ | $V_{CD1,2} + 0.050$ | V | 1, 2 | 1 |
| Overdischarge detection voltage 1, 2 | $V_{DD1,2}$ | 1.70 V to 2.60 V, Adjustable | $V_{DD1,2} - 0.080$ | $V_{DD1,2}$ | $V_{DD1,2} + 0.080$ | V | 1, 2 | 1 |
| Overdischarge release voltage 1, 2 | $V_{DU1,2}$ | 1.70 V to 3.80 V, Adjustable | $V_{DU1,2} - 0.100$ | $V_{DU1,2}$ | $V_{DU1,2} + 0.100$ | V | 1, 2 | 1 |
| Overcurrent detection voltage 1 | V_{IOV1} | 0.07 V to 0.30 V, Adjustable | $V_{IOV1} - 0.020$ | V_{IOV1} | $V_{IOV1} + 0.020$ | V | 3 | 1 |
| Overcurrent detection voltage 2 | V_{IOV2} | Load short circuit, V_{CC} reference | -1.57 | -1.20 | -0.83 | V | 3 | 1 |
| Temperature coefficient 1 for detection voltage *2 | T_{COE1} | Ta = -40°C to +85°C *4 | -0.6 | 0 | 0.6 | mV/°C | — | — |
| Temperature coefficient 2 for detection voltage *3 | T_{COE2} | Ta = -40°C to +85°C *4 | -0.24 | -0.05 | 0 | mV/°C | — | — |
| DELAY TIME (C3 = 0.22 μF) | | | | | | | | |
| Overcharge detection delay time 1, 2 | $t_{CU1,2}$ | 1.0 s | 0.73 | 1.00 | 1.35 | s | 8, 9 | 5 |
| Overdischarge detection delay time 1, 2 | $t_{DD1,2}$ | 0.1 s | 68 | 100 | 138 | ms | 8, 9 | 5 |
| Overcurrent detection delay time 1 | t_{IOV1} | 0.01 s | 6.7 | 10 | 13.9 | ms | 10 | 5 |
| INPUT VOLTAGE | | | | | | | | |
| Input voltage between VCC and VSS | V_{DS} | Absolute maximum rating | -0.3 | — | 18 | V | — | — |
| OPERATING VOLTAGE | | | | | | | | |
| Operating voltage between VCC and VSS *5 | V_{DSOP} | Output logic fixed | 2.0 | — | 16 | V | — | — |
| CURRENT CONSUMPTION | | | | | | | | |
| Current consumption during normal operation | I_{OPE} | $V1 = V2 = 3.6 V$ | 2.1 | 7.5 | 12.7 | μA | 4 | 2 |
| Current consumption at power down | I_{PDN} | $V1 = V2 = 1.5 V$ | 0 | 0.0002 | 0.04 | μA | 4 | 2 |
| OUTPUT VOLTAGE | | | | | | | | |
| DO voltage "H" | $V_{DO(H)}$ | $I_{OUT} = 10 \mu A$ | $V_{CC} - 0.05$ | $V_{CC} - 0.003$ | V_{CC} | V | 6 | 3 |
| DO voltage "L" | $V_{DO(L)}$ | $I_{OUT} = 10 \mu A$ | V_{SS} | $V_{SS} + 0.003$ | $V_{SS} + 0.05$ | V | 6 | 3 |
| CO voltage "H" | $V_{CO(H)}$ | $I_{OUT} = 10 \mu A$ | $V_{CC} - 0.15$ | $V_{CC} - 0.019$ | V_{CC} | V | 7 | 4 |
| CO PIN INTERNAL RESISTANCE | | | | | | | | |
| Resistance between VM and CO | R_{COL} | $V_{CO} - V_{VM} = 9.4 V$ | 0.29 | 0.6 | 1.44 | MΩ | 7 | 4 |
| INTERNAL RESISTANCE | | | | | | | | |
| Resistance between VCC and VM | R_{VCM} | $V_{CC} - V_{VM} = 0.5 V$ | 105 | 240 | 575 | kΩ | 5 | 2 |
| Resistance between VSS and VM | R_{VSM} | $V_{VM} - V_{SS} = 1.1 V$ | 511 | 597 | 977 | kΩ | 5 | 2 |
| 0 V BATTERY CHARGE FUNCTION | | | | | | | | |
| 0 V battery charge starting charger voltage | V_{OCHA} | 0 V battery charging function "available" | 0.38 | 0.75 | 1.12 | V | 11 | 6 |
| 0 V battery charge inhibition battery voltage 1, 2 | $V_{0INH,1,2}$ | 0 V battery charging function "unavailable" | 0.32 | 0.88 | 1.44 | V | 12, 13 | 6 |

- *1. Auxiliary overcharge detection voltage is equal to the overcharge detection voltage times 1.11 for the products without overcharge hysteresis, and times 1.25 for other products.
- *2. Temperature coefficient 1 for detection voltage should be applied to overcharge detection voltage, overcharge release voltage, overdischarge detection voltage, and overdischarge release voltage.
- *3. Temperature coefficient 2 for detection voltage should be applied to overcurrent detection voltage.
- *4. Since products are not screened at high and low temperature, the specification for this temperature range is guaranteed by design, not tested in production.
- *5. The DO and CO pin logic are established at the operating voltage.

BATTERY PROTECTION IC FOR 2-SERIAL-CELL PACK S-8232 Series

Rev6.2_00

Table 6

(Ta = -20°C to +70°C unless otherwise specified *)

| Item | Symbol | Condition | Min. | Typ. | Max. | Unit | Test Condition | Test Circuit |
|---|-----------------------|---|----------------------------|---------------------------|----------------------------|-------|----------------|--------------|
| DETECTION VOLTAGE | | | | | | | | |
| Overcharge detection voltage 1, 2 | V _{CU1,2} | 3.85 V to 4.60 V, Adjustable | V _{CU1,2} - 0.045 | V _{CU1,2} | V _{CU1,2} + 0.040 | V | 1, 2 | 1 |
| Auxiliary overcharge detection voltage 1, 2 *2 V _{CUaux1} , V _{CUaux2} = V _{CU1} , V _{CU2} × 1.25 or V _{CUaux1} , V _{CUaux2} = V _{CU1} , V _{CU2} × 1.11 | V _{CUaux1,2} | V _{CU1,2} × 1.25 | V _{CU1,2} × 1.19 | V _{CU1,2} × 1.25 | V _{CU1,2} × 1.31 | V | 1, 2 | 1 |
| | V _{CUaux1,2} | V _{CU1,2} × 1.11 | V _{CU1,2} × 1.05 | V _{CU1,2} × 1.11 | V _{CU1,2} × 1.17 | V | 1, 2 | 1 |
| Overcharge release voltage 1, 2 | V _{CD1,2} | 3.60 V to 4.60 V, Adjustable | V _{CD1,2} - 0.070 | V _{CD1,2} | V _{CD1,2} + 0.065 | V | 1, 2 | 1 |
| Overdischarge detection voltage 1, 2 | V _{DD1,2} | 1.70 V to 2.60 V, Adjustable | V _{DD1,2} - 0.100 | V _{DD1,2} | V _{DD1,2} + 0.095 | V | 1, 2 | 1 |
| Overdischarge release voltage 1, 2 | V _{DU1,2} | 1.70 V to 3.80 V, Adjustable | V _{DU1,2} - 0.120 | V _{DU1,2} | V _{DU1,2} + 0.115 | V | 1, 2 | 1 |
| Overcurrent detection voltage 1 | V _{IOV1} | 0.07 V to 0.30 V, Adjustable | V _{IOV1} - 0.029 | V _{IOV1} | V _{IOV1} + 0.029 | V | 3 | 1 |
| Overcurrent detection voltage 2 | V _{IOV2} | Load short circuit, V _{CC} reference | -1.66 | -1.20 | -0.74 | V | 3 | 1 |
| Temperature coefficient 1 for detection voltage *3 | T _{COE1} | Ta = -40°C to +85°C *1 | -0.6 | 0 | 0.6 | mV/°C | — | — |
| Temperature coefficient 2 for detection voltage *4 | T _{COE2} | Ta = -40°C to +85°C *1 | -0.24 | -0.05 | 0 | mV/°C | — | — |
| DELAY TIME (C3 = 0.22 μF) | | | | | | | | |
| Overcharge detection delay time 1, 2 | t _{CU1,2} | 1.0 s | 0.60 | 1.00 | 1.84 | s | 8, 9 | 5 |
| Overdischarge detection delay time 1, 2 | t _{DD1,2} | 0.1 s | 67 | 100 | 140 | ms | 8, 9 | 5 |
| Overcurrent detection delay time 1 | t _{IOV1} | 0.01 s | 6.5 | 10 | 14.5 | ms | 10 | 5 |
| INPUT VOLTAGE | | | | | | | | |
| Input voltage between VCC and VSS | V _{DS} | Absolute maximum rating | -0.3 | — | 18 | V | — | — |
| OPERATING VOLTAGE | | | | | | | | |
| Operating voltage between VCC and VSS *5 | V _{DSOP} | Output logic fixed | 2.0 | — | 16 | V | — | — |
| CURRENT CONSUMPTION | | | | | | | | |
| Current consumption during normal operation | I _{OPE} | V1 = V2 = 3.6 V | 1.9 | 7.5 | 13.8 | μA | 4 | 2 |
| Current consumption at power down | I _{PDN} | V1 = V2 = 1.5 V | 0 | 0.0002 | 0.06 | μA | 4 | 2 |
| OUTPUT VOLTAGE | | | | | | | | |
| DO voltage "H" | V _{DO(H)} | I _{OUT} = 10 μA | V _{CC} - 0.14 | V _{CC} - 0.003 | V _{CC} | V | 6 | 3 |
| DO voltage "L" | V _{DO(L)} | I _{OUT} = 10 μA | V _{SS} | V _{SS} + 0.003 | V _{SS} + 0.14 | V | 6 | 3 |
| CO voltage "H" | V _{CO(H)} | I _{OUT} = 10 μA | V _{CC} - 0.24 | V _{CC} - 0.019 | V _{CC} | V | 7 | 4 |
| CO PIN INTERNAL RESISTANCE | | | | | | | | |
| Resistance between VM and CO | R _{COL} | V _{CO} - V _{VM} = 9.4 V | 0.24 | 0.6 | 1.96 | MΩ | 7 | 4 |
| INTERNAL RESISTANCE | | | | | | | | |
| Resistance between VCC and VM | R _{VCM} | V _{CC} - V _{VM} = 0.5 V | 86 | 240 | 785 | kΩ | 5 | 2 |
| Resistance between VSS and VM | R _{VSM} | V _{VM} - V _{SS} = 1.1 V | 418 | 597 | 1332 | kΩ | 5 | 2 |
| 0 V BATTERY CHARGE FUNCTION | | | | | | | | |
| 0 V battery charge starting charger voltage | V _{OCHA} | 0 V battery charging function "available" | 0.29 | 0.75 | 1.21 | V | 11 | 6 |
| 0 V battery charge inhibition battery voltage 1, 2 | V _{OINH1,2} | 0 V battery charging function "unavailable" | 0.23 | 0.88 | 1.53 | V | 12, 13 | 6 |

- *1. Since products are not screened at high and low temperature, the specification for this temperature range is guaranteed by design, not tested in production.
- *2. Auxiliary overcharge detection voltage is equal to the overcharge detection voltage times 1.11 for the products without overcharge hysteresis, and times 1.25 for other products.
- *3. Temperature coefficient 1 for detection voltage should be applied to overcharge detection voltage, overcharge release voltage, overdischarge detection voltage, and overdischarge release voltage.
- *4. Temperature coefficient 2 for detection voltage should be applied to overcurrent detection voltage.
- *5. The DO pin and CO pin logic are established at the operating voltage.

Table 7

(Ta = -40°C to +85°C unless otherwise specified *)

| Item | Symbol | Condition | Min. | Typ. | Max. | Unit | Test Condition | Test Circuit |
|---|-----------------------|---|----------------------------|---------------------------|----------------------------|-------|----------------|--------------|
| DETECTION VOLTAGE | | | | | | | | |
| Overcharge detection voltage 1, 2 | V _{CU1,2} | 3.85 V to 4.60 V, Adjustable | V _{CU1,2} - 0.055 | V _{CU1,2} | V _{CU1,2} + 0.045 | V | 1, 2 | 1 |
| Auxiliary overcharge detection voltage 1, 2 *2 V _{CUaux1} , V _{CUaux2} = V _{CU1} , V _{CU2} × 1.25 or V _{CUaux1} , V _{CUaux2} = V _{CU1} , V _{CU2} × 1.11 | V _{CUaux1,2} | V _{CU1,2} × 1.25 | V _{CU1,2} × 1.19 | V _{CU1,2} × 1.25 | V _{CU1,2} × 1.31 | V | 1, 2 | 1 |
| | V _{CUaux1,2} | V _{CU1,2} × 1.11 | V _{CU1,2} × 1.05 | V _{CU1,2} × 1.11 | V _{CU1,2} × 1.17 | V | 1, 2 | 1 |
| Overcharge release voltage 1, 2 | V _{CD1,2} | 3.60 V to 4.60 V, Adjustable | V _{CD1,2} - 0.080 | V _{CD1,2} | V _{CD1,2} + 0.070 | V | 1, 2 | 1 |
| Overdischarge detection voltage 1, 2 | V _{DD1,2} | 1.70 V to 2.60 V, Adjustable | V _{DD1,2} - 0.110 | V _{DD1,2} | V _{DD1,2} + 0.100 | V | 1, 2 | 1 |
| Overdischarge release voltage 1, 2 | V _{DU1,2} | 1.70 V to 3.80 V, Adjustable | V _{DU1,2} - 0.130 | V _{DU1,2} | V _{DU1,2} + 0.120 | V | 1, 2 | 1 |
| Overcurrent detection voltage 1 | V _{IOV1} | 0.07 V to 0.30 V, Adjustable | V _{IOV1} - 0.033 | V _{IOV1} | V _{IOV1} + 0.033 | V | 3 | 1 |
| Overcurrent detection voltage 2 | V _{IOV2} | Load short circuit, V _{CC} reference | -1.70 | -1.20 | -0.71 | V | 3 | 1 |
| Temperature coefficient 1 for detection voltage *3 | T _{COE1} | Ta = -40°C to +85°C *4 | -0.6 | 0 | 0.6 | mV/°C | — | — |
| Temperature coefficient 2 for detection voltage *4 | T _{COE2} | Ta = -40°C to +85°C *4 | -0.24 | -0.05 | 0 | mV/°C | — | — |
| DELAY TIME (C3 = 0.22 μF) | | | | | | | | |
| Overcharge detection delay time 1, 2 | t _{CU1,2} | 1.0 s | 0.55 | 1.00 | 2.06 | s | 8, 9 | 5 |
| Overdischarge detection delay time 1, 2 | t _{DD1,2} | 0.1 s | 67 | 100 | 141 | ms | 8, 9 | 5 |
| Overcurrent detection delay time 1 | t _{IOV1} | 0.01 s | 6.3 | 10 | 14.7 | ms | 10 | 5 |
| INPUT VOLTAGE | | | | | | | | |
| Input voltage between VCC and VSS | V _{DS} | Absolute maximum rating | -0.3 | — | 18 | V | — | — |
| OPERATING VOLTAGE | | | | | | | | |
| Operating voltage between VCC and VSS *5 | V _{DSOP} | Output logic fixed | 2.0 | — | 16 | V | — | — |
| CURRENT CONSUMPTION | | | | | | | | |
| Current consumption during normal operation | I _{OPE} | V1 = V2 = 3.6 V | 1.8 | 7.5 | 14.2 | μA | 4 | 2 |
| Current consumption at power down | I _{PDN} | V1 = V2 = 1.5 V | 0 | 0.0002 | 0.10 | μA | 4 | 2 |
| OUTPUT VOLTAGE | | | | | | | | |
| DO voltage "H" | V _{DO(H)} | I _{OUT} = 10 μA | V _{CC} - 0.17 | V _{CC} - 0.003 | V _{CC} | V | 6 | 3 |
| DO voltage "L" | V _{DO(L)} | I _{OUT} = 10 μA | V _{SS} | V _{SS} + 0.003 | V _{SS} + 0.17 | V | 6 | 3 |
| CO voltage "H" | V _{CO(H)} | I _{OUT} = 10 μA | V _{CC} - 0.27 | V _{CC} - 0.019 | V _{CC} | V | 7 | 4 |
| CO PIN INTERNAL RESISTANCE | | | | | | | | |
| Resistance between VM and CO | R _{COL} | V _{CO} - V _{VM} = 9.4 V | 0.22 | 0.6 | 2.20 | MΩ | 7 | 4 |
| INTERNAL RESISTANCE | | | | | | | | |
| Resistance between VCC and VM | R _{VCM} | V _{CC} - V _{VM} = 0.5 V | 79 | 240 | 878 | kΩ | 5 | 2 |
| Resistance between VSS and VM | R _{VSM} | V _{VM} - V _{SS} = 1.1 V | 387 | 597 | 1491 | kΩ | 5 | 2 |
| 0 V BATTERY CHARGE FUNCTION | | | | | | | | |
| 0 V battery charge starting charger voltage | V _{OCHA} | 0 V battery charging function "available" | 0.26 | 0.75 | 1.25 | V | 11 | 6 |
| 0 V battery charge inhibition battery voltage 1, 2 | V _{OINH1,2} | 0 V battery charging function "unavailable" | 0.20 | 0.88 | 1.57 | V | 12, 13 | 6 |

- *1. Since products are not screened at high and low temperature, the specification for this temperature range is guaranteed by design, not tested in production.
- *2. Auxiliary overcharge detection voltage is equal to the overcharge detection voltage times 1.11 for the products without overcharge hysteresis, and times 1.25 for other products.
- *3. Temperature coefficient 1 for detection voltage should be applied to overcharge detection voltage, overcharge release voltage, overdischarge detection voltage, and overdischarge release voltage.
- *4. Temperature coefficient 2 for detection voltage should be applied to overcurrent detection voltage.
- *5. The DO pin and CO pin logic are established at the operating voltage.

■ Test Circuits

(1) Test Condition 1, Test Circuit 1

Set S1 = OFF, V1 = V2 = 3.6 V, and V3 = 0 V under normal status. Increase V1 from 3.6 V gradually. The V1 voltage when CO = "L" is overcharge detection voltage 1 (V_{CU1}). Decrease V1 gradually. The V1 voltage when CO = "H" is overcharge release voltage 1 (V_{CD1}). Further decrease V1. The V1 voltage when DO = "L" is overdischarge voltage 1 (V_{DD1}). Increase V1 gradually. The V1 voltage when DO = "H" is overdischarge release voltage 1 (V_{DU1}). Set S1 = ON, and V1 = V2 = 3.6 V and V3 = 0 V under normal status. Increase V1 from 3.6 V gradually. The V1 voltage when CO = "L" is auxiliary overcharge detection voltage 1 (V_{CUaux1}).

(2) Test Condition 2, Test Circuit 1

Set S1 = OFF, V1 = V2 = 3.6 V, and V3 = 0 V under normal status. Increase V2 from 3.6 V gradually. The V2 voltage when CO = "L" is overcharge detection voltage 2 (V_{CU2}). Decrease V2 gradually. The V2 voltage when CO = "H" is overcharge release voltage 2 (V_{CD2}). Further decrease V2. The V2 voltage when DO = "L" is overdischarge voltage 2 (V_{DD2}). Increase V2 gradually. The V2 voltage when DO = "H" is overdischarge release voltage 2 (V_{DU2}). Set S1 = ON, and V1 = V2 = 3.6 V and V3 = 0 V under normal status. Increase V2 from 3.6 V gradually. The V2 voltage when CO = "L" is auxiliary overcharge detection voltage 2 (V_{CUaux2}).

(3) Test Condition 3, Test Circuit 1

Set S1 = OFF, V1 = V2 = 3.6 V, and V3 = 0 V under normal status. Increase V3 from 0 V gradually. The V3 voltage when DO = "L" is overcurrent detection voltage 1 (V_{IOV1}). Set S1 = ON, V1 = V2 = 3.6 V, V3 = 0 V under normal status. Increase V3 from 0 V gradually. (The voltage change rate < 1.0 V / ms) V3 – (V1 + V2) voltage when DO = "L" is overcurrent detection voltage 2 (V_{IOV2}).

(4) Test Condition 4, Test Circuit 2

Set S1 = ON, V1 = V2 = 3.6 V, and V3 = 0 V under normal status and measure current consumption. Current consumption I1 is the normal status current consumption (I_{OPE}). Set S1 = OFF, V1 = V2 = 1.5 V under overdischarge status and measure current consumption. Current consumption I1 is the power-down current consumption (I_{PDN}).

(5) Test Condition 5, Test Circuit 2

Set S1 = ON, V1 = V2 = V3 = 1.5 V, and V3 = 2.5 V under overdischarge status. $(V1 + V2 - V3) / I2$ is the internal resistance between VCC and VM (RVCM).

Set S1 = ON, V1 = V2 = 3.6 V, and V3 = 1.1 V under overcurrent status. $V3 / I2$ is the internal resistance between VSS and VM (RVSM).

(6) Test Condition 6, Test Circuit 3

Set S1 = ON, S2 = OFF, V1 = V2 = 3.6 V, and V3 = 0 V under normal status. Increase V4 from 0 V gradually. The V4 voltage when I1 = 10 μ A is DO voltage "H" ($V_{DO(H)}$).

Set S1 = OFF, S2 = ON, V1 = V2 = 3.6 V, and V3 = 0.5 V under overcurrent status. Increase V5 from 0 V gradually. The V5 voltage when I2 = 10 μ A is the DO voltage "L" ($V_{DO(L)}$).

(7) Test Condition 7, Test Circuit 4

Set S1 = ON, S2 = OFF, V1 = V2 = 3.6 V and V3 = 0 V under normal status. Increase V4 from 0 V gradually. The V4 voltage when I1 = 10 μ A is the CO "H" voltage ($V_{CO(H)}$).

Set S1 = OFF, S2 = ON, V1 = V2 = 4.7, V3 = 0 V, and V5 = 9.4 V under overcharge status. (V5) / I2 is the internal resistance between VM and CO (RCOL).

(8) Test Condition 8, Test Circuit 5

Set V1 = V2 = 3.6 V, and V3 = 0 V under normal status. Increase V1 from ($V_{CU1} - 0.2$ V) to ($V_{CU1} + 0.2$ V) immediately (within 10 μ s). The time after V1 becomes ($V_{CU1} + 0.2$ V) until CO goes "L" is the overcharge detection delay time 1 (t_{CU1}).

Set V1 = V2 = 3.6 V, and V3 = 0 V under normal status. Decrease V1 from ($V_{DD1} + 0.2$ V) to ($V_{DD1} - 0.2$ V) immediately (within 10 μ s). The time after V1 becomes ($V_{DD1} - 0.2$ V) until DO goes "L" is the overdischarge detection delay time 1 (t_{DD1}).

(9) Test Condition 9, Test Circuit 5

Set V1 = V2 = 3.6 V, and V3 = 0 V under normal status. Increase V2 from ($V_{CU2} - 0.2$ V) to ($V_{CU2} + 0.2$ V) immediately (within 10 μ s). The time after V2 becomes ($V_{CU2} + 0.2$ V) until CO goes "L" is the overcharge detection delay time 2 (t_{CU2}).

Set V1 = V2 = 3.6 V, and V3 = 0 V under normal status. Decrease V2 from ($V_{DD2} + 0.2$ V) to ($V_{DD2} - 0.2$ V) immediately (within 10 μ s). The time after V2 becomes ($V_{DD2} - 0.2$ V) until DO goes "L" is the overdischarge detection delay time 2 (t_{DD2}).

(10) Test Condition 10, Test Circuit 5

Set V1 = V2 = 3.6 V, and V3 = 0 V under normal status. Increase V3 from 0 V to 0.5 V immediately (within 10 μ s). The time after V3 becomes 0.5 V until DO goes "L" is the overcurrent detection delay time 1 (t_{IOV1}).

(11) Test Condition 11, Test Circuit 6

Set V1 = V2 = 0 V, and V3 = 0 V, and increase V3 gradually. The V3 voltage when CO = "L" ($V_{VM} + 0.3$ V or higher) is the 0 V charge starting voltage (V_{0CHA}).

(12) Test Condition 12, Test Circuit 6

Set V1 = 0 V, V2 = 3.6 V, and V3 = 12 V, and increase V1 gradually. The V1 voltage when CO = "H" ($V_{VM} + 0.3$ V or higher) is the 0 V charge inhibiting voltage 1 (V_{0INH1}).

(13) Test Condition 13, Test Circuit 6

Set V1 = 3.6 V, V2 = 0 V, and V3 = 12 V, and increase V2 gradually. The V2 voltage when CO = "H" ($V_{VM} + 0.3$ V or higher) is the 0 V charge inhibiting voltage 2 (V_{0INH2}).

**BATTERY PROTECTION IC FOR 2-SERIAL-CELL PACK
S-8232 Series**

Rev6.2_00



Test Circuit 1



Test Circuit 2



Test Circuit 3



Test Circuit 4



Test Circuit 5



Test Circuit 6

Figure 4

NOT RECOMMENDED FOR NEW DESIGN

■ Operation

Remark Refer to “■ Battery Protection IC Connection Example”.

Normal Status ^{*1,*2}

This IC monitors the voltages of the two serially connected batteries and the discharge current to control charging and discharging. When the voltages of two batteries are more than the overdischarge detection voltage ($V_{DD1,2}$), less than the overcharge detection voltage ($V_{CU1,2}$), and the current flowing through the batteries becomes equal or lower than a specified value (the VM pin voltage is equal or lower than overcurrent detection voltage 1), the charging and discharging FETs are turned on. In this status, charging and discharging can be carried out freely. This is normal status. In this status, the VM and VSS pins are shorted by the RVSM resistor.

Overcurrent Status

When the discharging current becomes equal to or higher than a specified value (the VM pin voltage is equal to or higher than the overcurrent detection voltage 1) during discharging under the normal status and it continues for the overcurrent detection delay time (t_{IOV1}) or longer, the discharging FET is turned off to stop discharging. This is overcurrent status. The VM and VSS pins are shorted by the RVSM resistor in this status. The charging FET is also turned off. While the discharging FET is off and a load is connected, the VM pin voltage is equal to the V_{CC} potential. The overcurrent status returns to the normal status when impedance between the EB- and EB+ pins (refer to **Figure 8**) is 200 M Ω or higher, by action such as releasing the load. When the load is released, the VM pin, which is shorted to the VSS pin by the RVSM resistor, goes back to the V_{SS} potential. The IC detects that the VM pin potential returns to overcurrent detection voltage 1 (V_{IOV1}) or lower and returns to the normal status.

Overcharge Status

Following two cases are detected as overcharge status :

- (1) If any of the battery voltages becomes higher than the overcharge detection voltage ($V_{CU1,2}$) during charging under the normal status and it continues for the overcharge detection delay time ($t_{CU1,2}$) or longer, the charging FET turns off to stop charging. This is overcharge status. In this status, the VM and VSS pins are shorted by the RVSM resistor.
- (2) Although the status is shorter than the overcharge detection delay time ($t_{CU1,2}$), if any of the battery voltages becomes higher than the auxiliary overcharge detection voltage ($V_{CUaux1,2}$), the charging FET turns off to stop charging. This is also overcharge status. In this status, the VM and VSS pins are shorted by the RVSM resistor.

The auxiliary overcharge detection voltages ($V_{CUaux1,2}$) are correlated with the overcharge detection voltages ($V_{CU1,2}$) and are defined by following equations :

$$V_{CUaux1,2} [V] = 1.25 \times V_{CU1,2} [V]$$

$$\text{or } V_{CUaux1,2} [V] = 1.11 \times V_{CU1,2} [V]$$

The overcharge status is released in two cases :

- (1) The battery voltage which exceeded the overcharge detection voltage ($V_{CU1,2}$) falls below the overcharge release voltage ($V_{CD1,2}$), the charging FET turns on and the IC returns to the normal status.
- (2) If the battery voltage which exceeded the overcharge detection voltage ($V_{CU1,2}$) is equal or higher than the overcharge release voltage ($V_{CD1,2}$), however, discharging starts with removing the charger and connecting the load, the charging FET turns on and the IC returns to the normal status.

The mechanism to release is as follows: the discharge current flows via an internal parasitic diode of the charging FET, immediately after connecting the load and discharging starts. Therefore the VM pin's voltage momentarily increases about 0.6 V (voltage as much as V_F voltage of the diode has) plus the VSS pin's voltage. The IC detects this voltage by using overcurrent detection voltage 1 (V_{IOV1}) so that the IC releases the overcharge status and returns to the normal status.

Overdischarge Status

If any of the battery voltages falls below the overdischarge detection voltage ($V_{DD1,2}$) during discharging under the normal status and it continues for the overdischarge detection delay time ($t_{DD1,2}$) or longer, the discharging FET turns off and discharging stops. This is overdischarge status. When the discharging FET turns off, the VM pin voltage becomes equal to the V_{CC} voltage and the IC's current consumption falls below the power-down current consumption (I_{PDN}). This is power-down status. The VM and VCC pins are shorted by the RVCM resistor in the overdischarge and power-down statuses.

The power-down status is released when the charger is connected and the voltage between VM and VCC is overcurrent detection voltage 2 or higher. In this status, When all the battery voltages becomes equal to or higher than the overdischarge release voltage ($V_{DU1,2}$) in this status, The IC returns to the normal status from the overdischarge status.

Delay Circuit

The overcharge detection delay time ($t_{CU1, 2}$), the overdischarge detection delay time ($t_{DD1, 2}$), and the overcurrent detection delay time 1 (t_{IOV1}) change with an external capacitor (C3). Since one capacitor determine each delay time, delay times are correlated as seen in the following ratio :

Overcharge delay time : Overdischarge delay time : Overcurrent delay time = 100 : 10 : 1
The delay times are calculated by the following equations : ($T_a = -40^{\circ}\text{C}$ to $+85^{\circ}\text{C}$)

| | Min., | Typ., | Max. |
|--|------------|----------|---|
| Overcharge detection delay time t_{CU} [s] = Delay factor | (2.500, | 4.545, | 9.364) \times C3 [μF] |
| Overdischarge detection delay time t_{DD} [s] = Delay factor | (0.3045, | 0.4545, | 0.6409) \times C3 [μF] |
| Overcurrent detection delay time t_{IOV1} [s] = Delay factor | (0.02864, | 0.04545, | 0.06682) \times C3 [μF] |

Remark The overcurrent detection delay time 2 is not set Overcurrent detection voltage 2 (V_{IOV2}).

0 V Battery Charging Function *3

This function is used to recharge both of two serially-connected batteries after they self-discharge to 0 V. When the 0 V charging start voltage (V_{OCHA}) or higher is applied to between VM and VCC by connecting the charger, the charging FET gate is fixed to V_{CC} potential.

When the voltage between the gate and the source of the charging FET becomes equal to or higher than the turn-on voltage by the charger voltage, the charging FET turns on to start charging. At this time, the discharging FET turns off and the charging current flows through the internal parasitic diode in the discharging FET. If all the battery voltages become equal to or higher than the overdischarge release voltage ($V_{DU1, 2}$), the IC returns to the normal status.

0 V Battery Charge Inhibiting Function *3

This function is used for inhibiting charging after either of the connected batteries goes 0 V due to its self-discharge. When the voltage of either of the connected batteries goes below the 0 V charge inhibit voltage 1 and 2 ($V_{OINH1, 2}$), the charging FET gate is fixed to "EB-" to inhibit charging. Charging is possible only when the voltage of both connected batteries goes 0 V charge inhibit voltage 1 and 2 ($V_{OINH1, 2}$) or more.

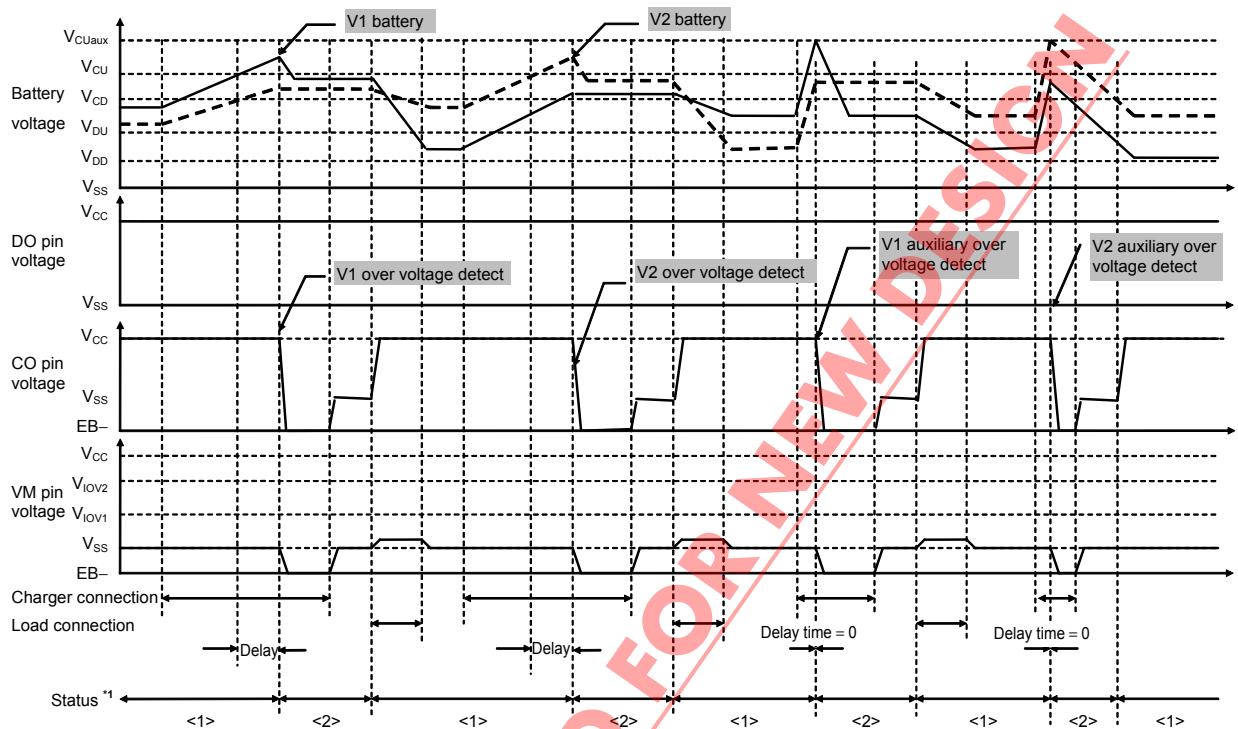
Note that charging may be possible when the total voltage of both connected batteries is less than the minimum value ($V_{DSOPmin}$) of the operating voltage between VCC and VSS even if the voltage of either of the connected batteries is the 0 V charge inhibit voltage 1 and 2 ($V_{OINH1, 2}$) or less. Charging is inhibited when the total voltage of both connected batteries reaches the minimum value ($V_{DSOPmin}$) of the operating voltage between VCC and VSS.

When using this optional function, a resistor of 4.7 M Ω is needed between the gate and the source of the charging control FET (refer to **Figure 8**).

- *1. When connecting batteries for the first time, the IC may fail to enter the normal status (is not in the status to charge). If so, once set the VM pin to VSS voltage (short between VM and VSS or connect a charger) to return to the normal status.
- *2. In this product with "overcharge detection/release hysteresis", "no final overcharge function", and "0 V battery charge inhibiting function" (indicated in *4, in "2. Product Name List" in "■ Product Name Structure"), the following action, other products do not have, is seen. But it does not affect on actual use.
In the normal status, the battery voltage is the overcharge release voltage ($V_{CD1, 2}$) or higher, and the overcharge detection voltage ($V_{CU1, 2}$) or lower but after that, the IC goes in the overcurrent status by connecting an overload. Usually the IC returns to the normal status by detaching the overload, but the charging FET may turn off and the IC may go in the overcharge status. After that, connect the load again to start charging. The FET turns on and the IC returns to the normal status (Refer to "Overcharge status").
- *3. Some lithium ion batteries are not recommended to be recharged after having been completely discharged. Please contact battery manufacturer when you select a 0 V battery charging function.

■ **Timing Charts**

1. Overcharge Detection



- *1. <1> Normal status
- <2> Over charge status
- <3> Over discharge status
- <4> Over current status

Remark The charger is assumed to charge with a constant current.

Figure 5

2. Overdischarge Detection



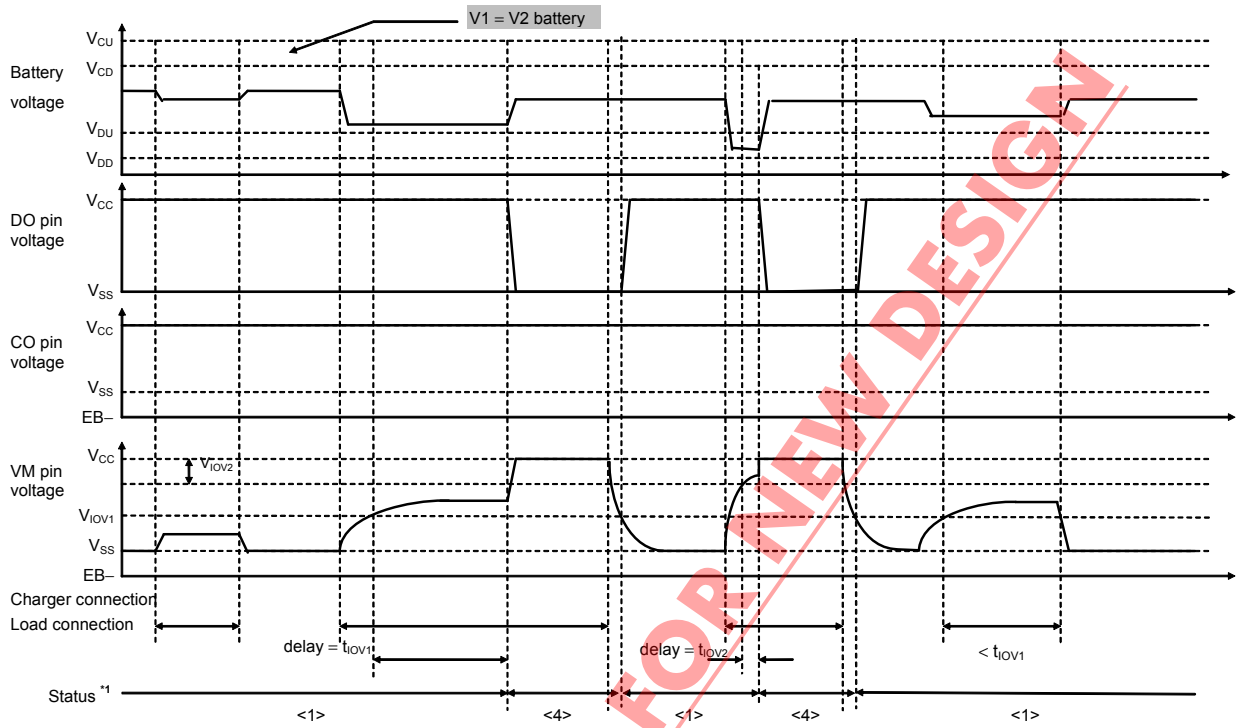
- *1. $\langle 1 \rangle$ Normal status
- $\langle 2 \rangle$ Over charge status
- $\langle 3 \rangle$ Over discharge status
- $\langle 4 \rangle$ Over current status

Remark The charger is assumed to charge with a constant current.

Figure 6

NOT RECOMMENDED FOR NEW DESIGN

3. Overcurrent Detection



- *1. $\langle 1 \rangle$ Normal status
- $\langle 2 \rangle$ Over charge status
- $\langle 3 \rangle$ Over discharge status
- $\langle 4 \rangle$ Over current status

Remark The charger is assumed to charge with a constant current.

Figure 7

■ **Battery Protection IC Connection Example**



Figure 8

Table 8 Constants for External Components

| Symbol | Parts | Purpose | Typ. | Min. | Max. | Remark |
|--------|----------------|---|----------|-----------|-----------|---|
| FET1 | Nch MOS FET | Discharge control | — | — | — | — |
| FET2 | Nch MOS FET | Charge control | — | — | — | — |
| R1 | Chip resistor | ESD protection | 1 kΩ | 300 Ω | 1 kΩ | — |
| C1 | Chip capacitor | For power fluctuation | 0.22 μF | 0 μF | 1 μF | — |
| R2 | Chip resistor | ESD protection | 1 kΩ | 300 Ω | 1 kΩ | — |
| C2 | Chip capacitor | For power fluctuation | 0.22 μF | 0 μF | 1 μF | — |
| R4 | Chip resistor | ESD protection | 1 kΩ | = R1 min. | = R1 max. | Same value as R1 and R2. *1 |
| C3 | Chip capacitor | Delay time setting | 0.22 μF | 0 μF | 1 μF | Attention should be paid to leak current of C3. *2 |
| R3 | Chip resistor | Protection for charger reverse connection | 1 kΩ | 300 Ω | 5 kΩ | Discharge can't be stopped at less than 300 Ω when a charger is reverse-connected. *3 |
| R5 | Chip resistor | 0 V battery charging inhibition | (4.7 MΩ) | (1 MΩ) | (10 MΩ) | R5 should be added when the product has 0 V battery charge inhibition. Lower resistance increases current consumption. *4 |

*1. R4 = R1 is required. Overcharge detection voltage increases by R4. For example 10 kΩ (R4) increases overcharge detection voltage by 20 mV.

*2. The overcharge detection delay time (t_{CU}), the overdischarge detection delay time (t_{CD}), and the over current detection delay time (t_{IOV}) change with the external capacitor C3.

*3. When the resistor R3 is set less than 300 Ω and a charger is reverse-connected, current which exceeds the power dissipation of the package will flow and the IC may break. But excessive R3 causes increase of overcurrent detection voltage 1 (V_{IOV1}). V_{IOV1} changes to $V_{IOV1} = (R3 + R_{VSM}) / R_{VSM} \times V_{IOV1}$. For example, 50 kΩ resistor (R3) increases overcurrent detection voltage 1 (V_{IOV1}) from 0.100 V to 0.113 V.

*4. A 4.7 MΩ resistor is needed for R5 to inhibit 0 V battery charging. Current consumption increases when the R5 resistance is below 4.7 MΩ. R5 should be connected when the product has 0 V battery charging inhibition.

Caution 1. The above constants may be changed without notice.

2. It has not been confirmed whether the operation is normal or not in circuits other than the above example of connection. In addition, the example of connection shown above and the constant do not guarantee proper operation. Perform thorough evaluation using the actual application to set the constant.

■ **Precautions**

- After the overcurrent detection delay, if either one of battery voltages equals the overdischarge detection voltage ($V_{DD1,2}$) or lower, the overdischarge detection delay time becomes shorter than 10ms (min.). It occurs because capacitor C3 sets all of delay times (refer to the **Figure 9**).



Figure 9

[Cause]

When overcurrent detection is released until t_{IOV1} , the capacitor C3 is charged by S-8232 Series. If all battery voltage is lower than $V_{DD1,2}$ at that time, charging goes on. So delay time is shorter than typical.

[Conclusion]

This phenomenon occurs when all battery voltage is nearly equal to the overdischarge voltage ($V_{DD1,2}$) after overcurrent detected. It means that the battery capacity is small and those must be charged in the future. Even if the state changes to overdischarge status, the battery package capacity is same as typical.

- When one of the battery voltages is overdischarge detection voltage ($V_{DD1,2}$) or lower and the other one becomes higher than the overcharge detection voltage ($V_{CU1,2}$), the IC detects the overcharge without the overcharge detection delay time (t_{CU}) (refer to the **Figure 10**).



Figure 10

[Cause]

It is same as the overdischarge detection under the overcurrent status. It occurs because capacitor C3 sets all of delay times.

[Conclusion]

This phenomenon occurs when one battery voltage is lower than overdischarge voltage ($V_{DD1,2}$) and batteries are charged by charger. Since voltage difference between two batteries is large in this situation, the S-8232 Series immediately stops the charging of the other battery to reduce voltage difference. This action improves the safety of a battery pack and dose not do any harm to the pack.

- After the overcurrent detection, the load was connected for a long time, even if one of the battery voltage became lower than overdischarge detection voltage ($V_{DD1, 2}$), the IC can't detect the overdischarge as long as the load is connected. Therefore the IC's current consumption at the one of the battery voltage is lower than the overdischarge detection voltage is same as normal status current consumption (I_{OPE}) (refer to the **Figure 11**).



Figure 11

[Cause]

The reason is as follows. If the overcurrent detection and overdischarge detection occur at same time, the overcurrent detection takes precedence the overdischarge detection. As long as the IC detects overcurrent, the IC can't detect overdischarge.

[Conclusion]

If the load is taken off at least one time, the overcurrent is released and the overdischarge detection works.

Unless keeping the IC with load for a long time, the reduction of battery voltage will be neglected, because of the IC's current consumption (typ. 7.5 μA) is small.

- Do not apply an electrostatic discharge to this IC that exceeds the performance ratings of the built-in electrostatic protection circuit.
- SII claims no responsibility for any and all disputes arising out of or in connection with any infringement of the products including this IC upon patents owned by a third party.

■ Characteristics (Typical Data)

1. Detection Voltage Temperature Characteristics

Overcharge detection voltage1 vs. temperature



Overcharge detection voltage2 vs. temperature



Overcharge release voltage1 vs. temperature



Overcharge release voltage2 vs. temperature



Auxiliary overcharge detection voltage1 vs. temperature



Auxiliary overcharge detection voltage2 vs. temperature



NOT RECOMMENDED FOR NEW DESIGN

Overdischarge detection voltage1 vs. temperature
 $V_{DD1} = 2.00\text{ V}$



Overdischarge detection voltage2 vs. temperature
 $V_{DD2} = 2.00\text{ V}$



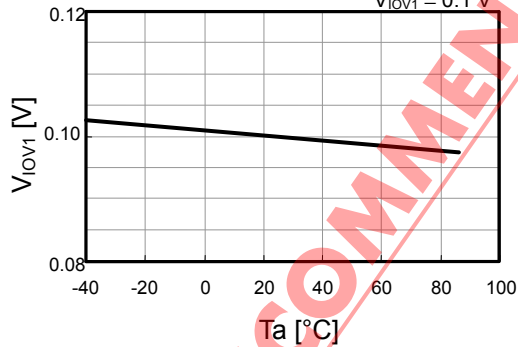
Overdischarge release voltage1 vs. temperature
 $V_{DU1} = 2.60\text{ V}$



Overdischarge release voltage2 vs. temperature
 $V_{DU2} = 2.60\text{ V}$



Overcurrent1 detection voltage vs. temperature
 $V_{IOV1} = 0.1\text{ V}$



Overcurrent2 detection voltage vs. temperature
 $V_{IOV2} = 1.20\text{ V (V}_{CC}\text{ reference)}$



NOT RECOMMENDED FOR NEW DESIGN

2. Current Consumption Temperature Characteristics

Current consumption vs. temperature in normal mode



Current consumption vs. temperature in power-down mode



3. Delay Time Temperature Characteristics

Overcharge detection1 time vs. temperature



Overcharge detection1 time vs. temperature

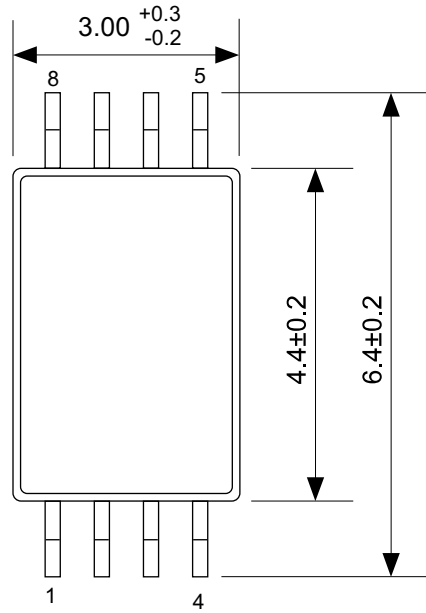


Overcurrent1 detection time vs. temperature



Caution Please design all applications of the S-8232 Series with safety in mind.

NOT RECOMMENDED FOR NEW DESIGN

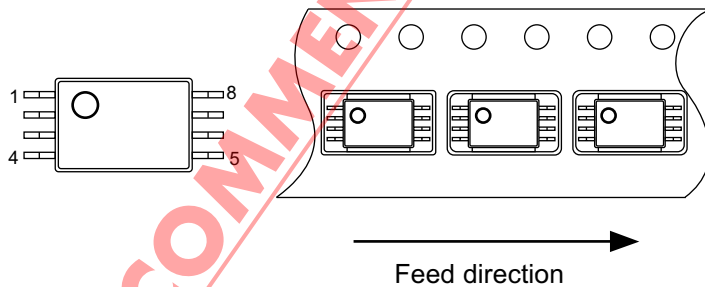


NOT RECOMMENDED FOR NEW DESIGN

No. FT008-A-P-SD-1.1

| | |
|-------|-------------------------|
| TITLE | TSSOP8-E-PKG Dimensions |
| No. | FT008-A-P-SD-1.1 |
| SCALE | |
| UNIT | mm |
| | |

Seiko Instruments Inc.



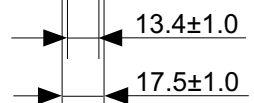
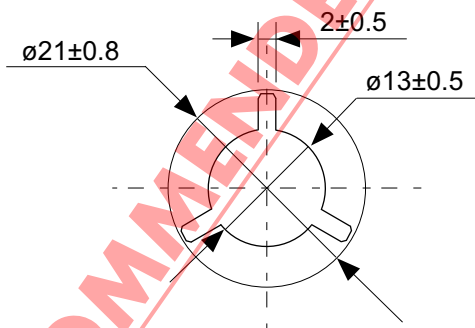
NOT RECOMMENDED FOR NEW DESIGN

No. FT008-E-C-SD-1.0

| | |
|------------------------|-----------------------|
| TITLE | TSSOP8-E-Carrier Tape |
| No. | FT008-E-C-SD-1.0 |
| SCALE | |
| UNIT | mm |
| Seiko Instruments Inc. | |



Enlarged drawing in the central part



No. FT008-E-R-SD-1.0

| | | | |
|-------|------------------|------|-------|
| TITLE | TSSOP8-E-Reel | | |
| No. | FT008-E-R-SD-1.0 | | |
| SCALE | | QTY. | 3,000 |
| UNIT | mm | | |
| | | | |

Seiko Instruments Inc.



Seiko Instruments Inc.
www.sii-ic.com

- The information described herein is subject to change without notice.
- Seiko Instruments Inc. is not responsible for any problems caused by circuits or diagrams described herein whose related industrial properties, patents, or other rights belong to third parties. The application circuit examples explain typical applications of the products, and do not guarantee the success of any specific mass-production design.
- When the products described herein are regulated products subject to the Wassenaar Arrangement or other agreements, they may not be exported without authorization from the appropriate governmental authority.
- Use of the information described herein for other purposes and/or reproduction or copying without the express permission of Seiko Instruments Inc. is strictly prohibited.
- The products described herein cannot be used as part of any device or equipment affecting the human body, such as exercise equipment, medical equipment, security systems, gas equipment, vehicle equipment, in-vehicle equipment, aviation equipment, aerospace equipment, and nuclear-related equipment, without prior written permission of Seiko Instruments Inc.
- The products described herein are not designed to be radiation-proof.
- Although Seiko Instruments Inc. exerts the greatest possible effort to ensure high quality and reliability, the failure or malfunction of semiconductor products may occur. The user of these products should therefore give thorough consideration to safety design, including redundancy, fire-prevention measures, and malfunction prevention, to prevent any accidents, fires, or community damage that may ensue.

Mouser Electronics

Authorized Distributor

Click to View Pricing, Inventory, Delivery & Lifecycle Information:

ABLIC:

[S-8232ACFT-T2-G](#) [S-8232AAFT-T2-G](#) [S-8232AIFT-T2-G](#) [S-8232APFT-T2-G](#) [S-8232AJFT-T2-G](#) [S-8232AMFT-T2-G](#) [S-8232AOFT-T2-G](#) [S-8232NGFT-T2-G](#) [S-8232ARFT-T2-G](#) [S-8232ASFT-T2-G](#) [S-8232ATFT-T2-G](#) [S-8232AUFT-T2-G](#) [S-8232AVFT-T2-G](#) [S-8232AWFT-T2-G](#) [S-8232AXFT-T2-G](#) [S-8232AYFT-T2-G](#) [S-8232AZFT-T2-G](#) [S-8232NAFT-T2-G](#) [S-8232NCFT-T2-G](#) [S-8232NDFT-T2-G](#) [S-8232NEFT-T2-G](#) [S-8232NFFT-T2-G](#) [S-8232NHFT-T2-G](#) [S-8232NIFT-T2-G](#) [S-8232NJFT-T2-G](#) [S-8232NKFT-T2-G](#) [S-8232ALFT-T2-G](#) [S-8232ABFT-T2-G](#) [S-8232AGFT-T2-G](#) [S-8232ANFT-T2-G](#) [S-8232AHFT-T2-G](#) [S-8232AEFT-T2-G](#) [S-8232AKFT-T2-G](#) [S-8232AFFT-T2-G](#) [S-8232NTFT-T2-G](#) [S-8232NWFT-T2-G](#) [S-8232NXFT-T2-G](#) [S-8232NYFT-T2-G](#) [S-8232NZFT-T2-G](#) [S-8232PAFT-T2-G](#) [S-8232PBFT-T2-S](#) [S-8232PCFT-T2-G](#) [S-8232NBFT-T2-G](#) [S-8232NLFT-T2-G](#) [S-8232NMFT-T2-G](#) [S-8232NNFT-T2-G](#) [S-8232NOFT-T2-G](#) [S-8232NPFT-T2-G](#) [S-8232NQFT-T2-G](#) [S-8232NRFT-T2-G](#) [S-8232NSFT-T2-G](#) [S-8232NUFT-T2-G](#)

Компания «Life Electronics» занимается поставками электронных компонентов импортного и отечественного производства от производителей и со складов крупных дистрибьюторов Европы, Америки и Азии.

С конца 2013 года компания активно расширяет линейку поставок компонентов по направлению коаксиальный кабель, кварцевые генераторы и конденсаторы (керамические, пленочные, электролитические), за счёт заключения дистрибьюторских договоров

Мы предлагаем:

- Конкурентоспособные цены и скидки постоянным клиентам.
- Специальные условия для постоянных клиентов.
- Подбор аналогов.
- Поставку компонентов в любых объемах, удовлетворяющих вашим потребностям.
- Приемлемые сроки поставки, возможна ускоренная поставка.
- Доставку товара в любую точку России и стран СНГ.
- Комплексную поставку.
- Работу по проектам и поставку образцов.
- Формирование склада под заказчика.
- Сертификаты соответствия на поставляемую продукцию (по желанию клиента).
- Тестирование поставляемой продукции.
- Поставку компонентов, требующих военную и космическую приемку.
- Входной контроль качества.
- Наличие сертификата ISO.

В составе нашей компании организован Конструкторский отдел, призванный помогать разработчикам, и инженерам.

Конструкторский отдел помогает осуществить:

- Регистрацию проекта у производителя компонентов.
- Техническую поддержку проекта.
- Защиту от снятия компонента с производства.
- Оценку стоимости проекта по компонентам.
- Изготовление тестовой платы монтаж и пусконаладочные работы.



Тел: +7 (812) 336 43 04 (многоканальный)

Email: org@lifeelectronics.ru