

FEATURES

Complete Receiver-on-a-Chip: Monoceiver® Mixer

- 15 dBm 1 dB Compression Point
- 8 dBm Input Third Order Intercept
- 500 MHz RF and LO Bandwidths

Linear IF Amplifier

- Linear-in-dB Gain Control
- Manual Gain Control

Quadrature Demodulator

- On-Board Phase-Locked Quadrature Oscillator
- Demodulates IFs from 400 kHz to 12 MHz
- Can Also Demodulate AM, CW, SSB

Low Power

- 25 mW at 3 V
- CMOS Compatible Power-Down

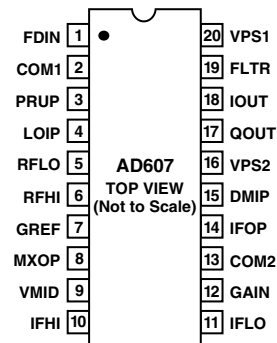
Interfaces to AD7013 and AD7015 Baseband Converters

APPLICATIONS

- GSM, CDMA, TDMA, and TETRA Receivers
- Satellite Terminals
- Battery-Powered Communications Receivers

PIN CONFIGURATION

20-Lead SSOP (RS Suffix)



GENERAL DESCRIPTION

The AD607 is a 3 V low power receiver IF subsystem for operation at input frequencies as high as 500 MHz and IFs from 400 kHz to 12 MHz. It consists of a mixer, IF amplifiers, I and Q demodulators, a phase-locked quadrature oscillator, and a biasing system with external power-down.

The AD607's low noise, high intercept mixer is a doubly balanced Gilbert cell type. It has a nominal -15 dBm input referred 1 dB compression point and a -8 dBm input referred third order intercept. The mixer section of the AD607 also includes a local oscillator (LO) preamplifier, which lowers the required LO drive to -16 dBm.

In MGC operation, the AD607 accepts an external gain-control voltage input from an external AGC detector or a DAC.

The I and Q demodulators provide in-phase and quadrature baseband outputs to interface with Analog Devices' AD7013 (IS54, TETRA, MSAT) and AD7015 (GSM) baseband converters. A quadrature VCO phase-locked to the IF drives the I and Q demodulators. The I and Q demodulators can also demodulate AM; when the AD607's quadrature VCO is phase-locked to the received signal, the in-phase demodulator becomes a synchronous product detector for AM. The VCO can also be phase-locked to an external beat-frequency oscillator (BFO), and the demodulator serves as a product detector for CW or SSB reception. Finally, the AD607 can be used to demodulate BPSK using an external Costas Loop for carrier recovery.

Monoceiver is a registered trademark of Analog Devices, Inc.

REV. C

Information furnished by Analog Devices is believed to be accurate and reliable. However, no responsibility is assumed by Analog Devices for its use, nor for any infringements of patents or other rights of third parties that may result from its use. No license is granted by implication or otherwise under any patent or patent rights of Analog Devices.

AD607—SPECIFICATIONS

(@ $T_A = 25^\circ\text{C}$, Supply = 3.0 V, IF = 10.7 MHz, unless otherwise noted.)

| Model | Conditions | AD607ARS | | | Unit |
|-----------------------------------|--|----------|------------|------|------------------|
| | | Min | Typ | Max | |
| DYNAMIC PERFORMANCE | | | | | |
| MIXER | | | | | |
| Maximum RF and LO Frequency Range | For Conversion Gain > 20 dB | | 500 | | MHz |
| Maximum Mixer Input Voltage | For Linear Operation; Between RFHI and RFLO | | ± 54 | | mV |
| Input 1 dB Compression Point | RF Input Terminated in 50 Ω | | -15 | | dBm |
| Input Third-Order Intercept | RF Input Terminated in 50 Ω | | -5 | | dBm |
| Noise Figure | Matched Input, Max Gain, $f = 83$ MHz, IF = 10.7 MHz | | 14 | | dB |
| | Matched Input, Max Gain, $f = 144$ MHz, IF = 10.7 MHz | | 12 | | dB |
| Maximum Output Voltage at MXOP | $Z_{IF} = 165 \Omega$, at Input Compression | | ± 1.3 | | V |
| Mixer Output Bandwidth at MXOP | -3 dB, $Z_{IF} = 165 \Omega$ | | 45 | | MHz |
| LO Drive Level | Mixer LO Input Terminated in 50 Ω | | -16 | | dBm |
| LO Input Impedance | LOIP to VMID | | 1 | | k Ω |
| Isolation, RF to IF | RF = 240 MHz, IF = 10.7 MHz, LO = 229.3 MHz | | 30 | | dB |
| Isolation, LO to IF | RF = 240 MHz, IF = 10.7 MHz, LO = 229.3 MHz | | 20 | | dB |
| Isolation, LO to RF | RF = 240 MHz, IF = 10.7 MHz, LO = 229.3 MHz | | 40 | | dB |
| Isolation, IF to RF | RF = 240 MHz, IF = 10.7 MHz, LO = 229.3 MHz | | 70 | | dB |
| IF AMPLIFIERS | | | | | |
| Noise Figure | Max Gain, $f = 10.7$ MHz | | 17 | | dB |
| Input 1 dB Compression Point | IF = 10.7 MHz | | -15 | | dBm |
| Output Third-Order Intercept | IF = 10.7 MHz | | 18 | | dBm |
| Maximum IF Output Voltage at IFOP | $Z_{IF} = 600 \Omega$ | | ± 560 | | mV |
| Output Resistance at IFOP | From IFOP to VMID | | 15 | | Ω |
| Bandwidth | -3 dB at IFOP, Max Gain | | 45 | | MHz |
| GAIN CONTROL | | | | | |
| Gain Control Range | (See Figures 23 and 24) Mixer + IF Section, GREF to 1.5 V | | 90 | | dB |
| Gain Scaling | GREF to 1.5 V | | 20 | | mV/dB |
| | GREF to General Reference Voltage V_R | | $75/V_R$ | | dB/V |
| Gain Scaling Accuracy | GREF to 1.5 V, 80 dB Span | | ± 1 | | dB |
| Bias Current at GAIN | | | 5 | | μA |
| Bias Current at GREF | | | 1 | | μA |
| Input Resistance at GAIN, GREF | | | 1 | | M Ω |
| I AND Q DEMODULATORS | | | | | |
| Required DC Bias at DMIP | | | VPOS/2 | | V dc |
| Input Resistance at DMIP | From DMIP to VMID | | 50 | | k Ω |
| Input Bias Current at DMIP | | | 2 | | μA |
| Maximum Input Voltage | IF > 3 MHz | | ± 150 | | mV |
| | IF ≤ 3 MHz | | ± 75 | | mV |
| Amplitude Balance | IF = 10.7 MHz, Outputs at 600 mV p-p, F = 100 kHz | | ± 0.2 | | dB |
| Quadrature Error | IF = 10.7 MHz, Outputs at 600 mV p-p, F = 100 kHz | | -1.2 | | Degrees |
| Phase Noise in Degrees | IF = 10.7 MHz, F = 10 kHz | | -100 | | dBc/Hz |
| Demodulation Gain | Sine Wave Input, Baseband Output | | 18 | | dB |
| Maximum Output Voltage | $R_L \geq 20$ k Ω | | ± 1.23 | | V |
| Output Offset Voltage | Measured from I_{OUT} , Q_{OUT} to VMID | -150 | +10 | +150 | mV |
| Output Bandwidth | Sine Wave Input, Baseband Output | | 1.5 | | MHz |
| PLL | | | | | |
| Required DC Bias at FDIN | | | VPOS/2 | | V dc |
| Input Resistance at FDIN | From FDIN to VMID | | 50 | | k Ω |
| Input Bias Current at FDIN | | | 200 | | nA |
| Frequency Range | | | 0.4 to 12 | | MHz |
| Required Input Drive Level | Sine Wave Input at Pin 1 | | 400 | | mV |
| Acquisition Time to $\pm 3^\circ$ | IF = 10.7 MHz | | 16.5 | | μs |
| POWER-DOWN INTERFACE | | | | | |
| Logical Threshold | For Power Up on Logical High | | 2 | | V dc |
| Input Current for Logical High | | | 75 | | μA |
| Turn-On Response Time | To PLL Locked | | 16.5 | | μs |
| Standby Current | | | 550 | | μA |
| POWER SUPPLY | | | | | |
| Supply Range | | 2.92 | | 5.5 | V |
| Supply Current | Midgain, IF = 10.7 MHz | | 8.5 | | mA |
| OPERATING TEMPERATURE | | | | | |
| T_{MIN} to T_{MAX} | Operation to 2.92 V Minimum Supply Voltage | -25 | | +85 | $^\circ\text{C}$ |
| | Operation to 4.5 V Minimum Supply Voltage | -40 | | +85 | $^\circ\text{C}$ |

Specifications subject to change without notice.

ABSOLUTE MAXIMUM RATINGS¹

| | |
|---|-----------------|
| Supply Voltage VPS1, VPS2 to COM1, COM2 | 5.5 V |
| Internal Power Dissipation ² | 600 mW |
| 2.92 V to 5.5 V Operating Temperature Range | -25°C to +85°C |
| 4.5 V to 5.5 V Operating Temperature Range | -40°C to +85°C |
| Storage Temperature Range | -65°C to +150°C |
| Lead Temperature Range (Soldering 60 sec) | 300°C |

NOTES

¹ Stresses above those listed under Absolute Maximum Rating may cause permanent damage to the device. This is a stress rating only; functional operation of the device at these or any other conditions above those indicated in the operational section of this specification is not implied. Exposure to absolute maximum rating conditions for extended periods may affect device reliability.

² Thermal Characteristics: 20-lead SSOP Package: $\theta_{JA} = 126^{\circ}\text{C}/\text{W}$.

ORDERING GUIDE

| Model | Temperature Range | Package Description | Package Option |
|----------|---|----------------------|----------------|
| AD607ARS | -25°C to +85°C for 2.92 V to 5.5 V Operation; -40°C to +85°C for 4.5 V to 5.5 V Operation | 20-Lead Plastic SSOP | RS-20 |

CAUTION

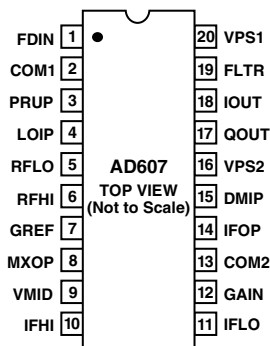
ESD (electrostatic discharge) sensitive device. Electrostatic charges as high as 4000 V readily accumulate on the human body and test equipment and can discharge without detection. Although the AD607 features proprietary ESD protection circuitry, permanent damage may occur on devices subjected to high energy electrostatic discharges. Therefore, proper ESD precautions are recommended to avoid performance degradation or loss of functionality.



PIN FUNCTION DESCRIPTIONS

| Pin | Mnemonic | Reads | Function |
|-----|----------|--------------------------|---|
| 1 | FDIN | Frequency Detector Input | PLL Input for I/Q Demodulator Quadrature Oscillator, ± 400 mV Drive Required from External Oscillator. Must be biased at $V_P/2$. |
| 2 | COM1 | Common #1 | Supply Common for RF Front End and Main Bias |
| 3 | PRUP | Power-Up Input | 3 V/5 V CMOS compatible power-up control; logical high = powered-up; max input level = $V_{PS1} = V_{PS2}$. |
| 4 | LOIP | Local Oscillator Input | LO input, ac-coupled ± 54 mV LO input is required (-16 dBm for 50Ω input termination). |
| 5 | RFLO | RF "Low" Input | Usually Connected to AC Ground |
| 6 | RFHI | RF "High" Input | AC-Coupled, ± 56 mV, Max RF Input for Linear Operation |
| 7 | GRES | Gain Reference Input | High Impedance Input, typically 1.5 V, sets gain scaling. |
| 8 | MXOP | Mixer Output | High Impedance, Single-Sided Current Output, ± 1.3 V Max Voltage Output (± 6 mA Max Current Output) |
| 9 | VMID | Midsupply Bias Voltage | Output of the Midsupply Bias Generator ($VMID = V_{POS}/2$) |
| 10 | IFHI | IF "High" Input | AC-Coupled IF Input, ± 56 mV Max Input for Linear Operation |
| 11 | IFLO | IF "Low" Input | Reference Node for IF Input; Auto-Offset Null |
| 12 | GAIN | Gain Control Input | High Impedance Input, 0 V–2 V Using 3 V Supply, Max Gain at $V = 0$ |
| 13 | COM2 | Common #2 | Supply Common for IF Stages and Demodulator |
| 14 | IFOP | IF Output | Low Impedance, Single-Sided Voltage Output, 5 dBm (± 560 mV) Max |
| 15 | DMIP | Demodulator Input | Signal input to I and Q demodulators has a ± 150 mV max input at $IF > 3$ MHz for linear operation; ± 75 mV max input at $IF < 3$ MHz for linear operation. Must be biased at $V_P/2$. |
| 16 | VPS2 | VPOS Supply #2 | Supply to High Level IF, PLL, and Demodulators |
| 17 | QOUT | Quadrature Output | Low Impedance Q Baseband Output; ± 1.23 V Full Scale in 20 k Ω Min Load; AC-Coupled |
| 18 | IOUT | In-Phase Output | Low Impedance I Baseband Output; ± 1.23 V Full Scale in 20 k Ω Min Load; AC-Coupled |
| 19 | FLTR | PLL Loop Filter | Series RC PLL Loop Filter, Connected to Ground |
| 20 | VPS1 | VPOS Supply #1 | Supply to Mixer, Low Level IF, PLL, and Gain Control |

PIN CONNECTION 20-Lead SSOP (RS-20)



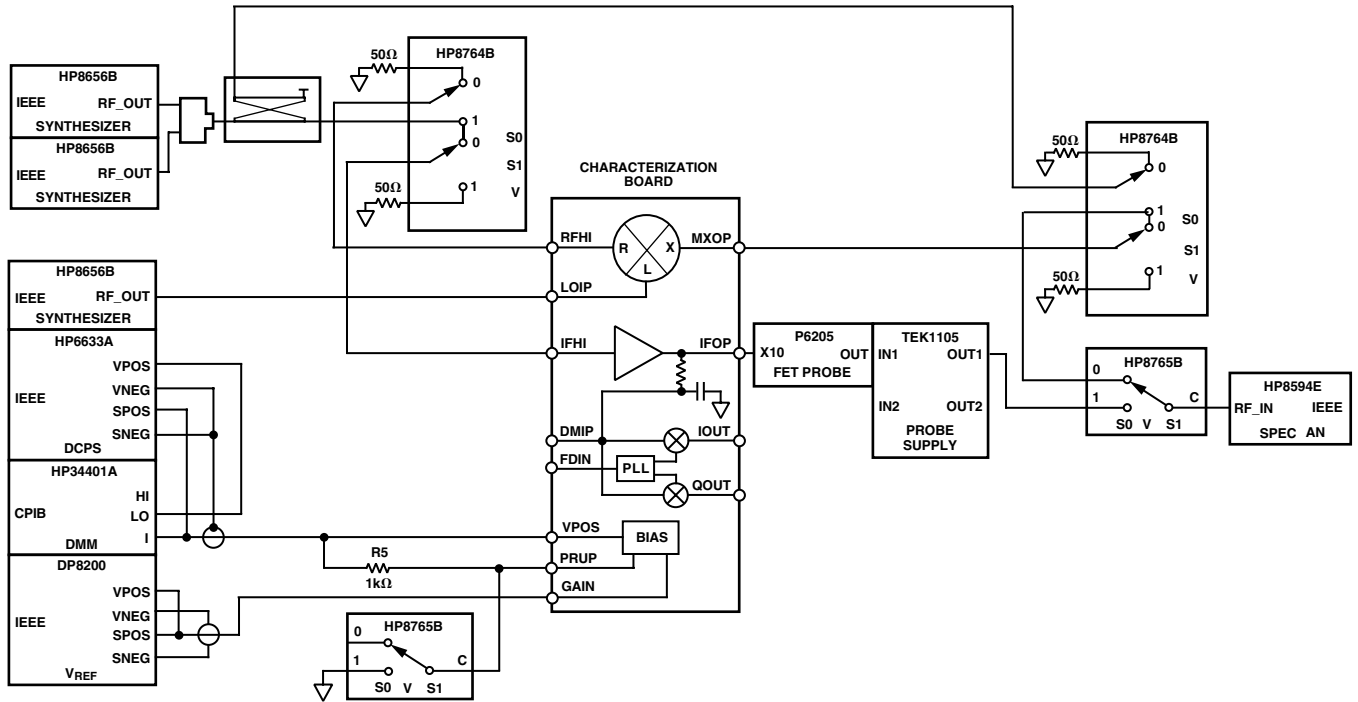


Figure 1. Mixer/Amplifier Test Set

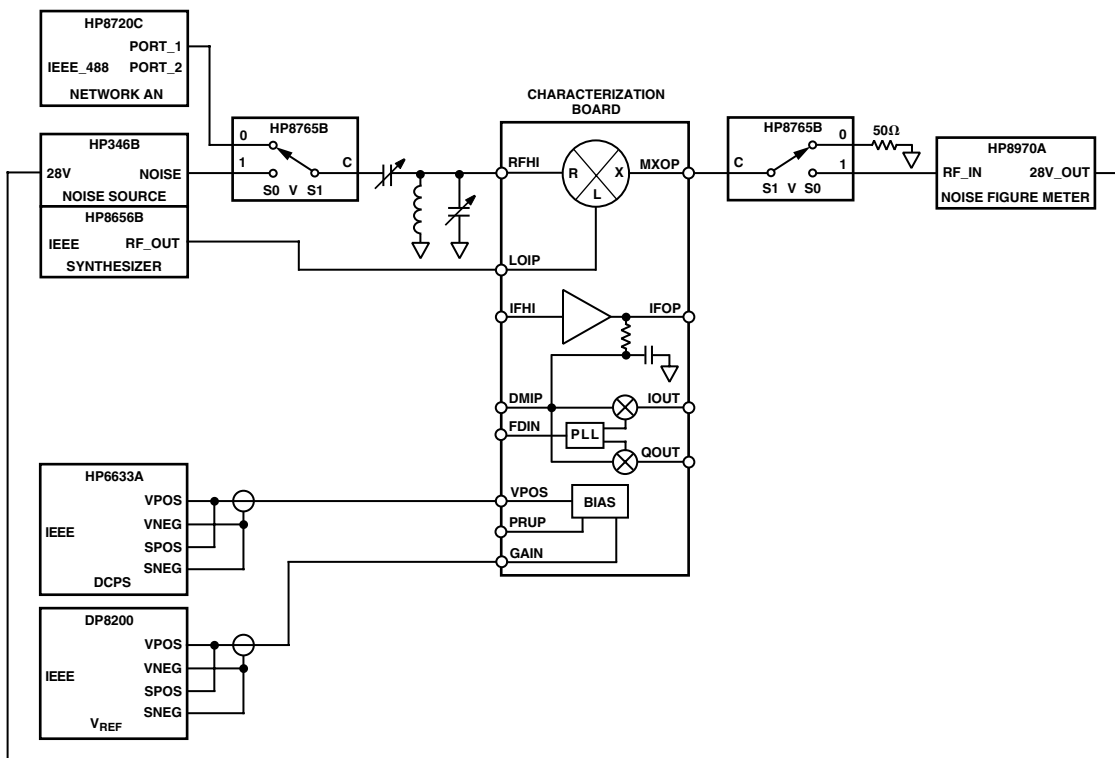


Figure 2. Mixer Noise Figure Test Set

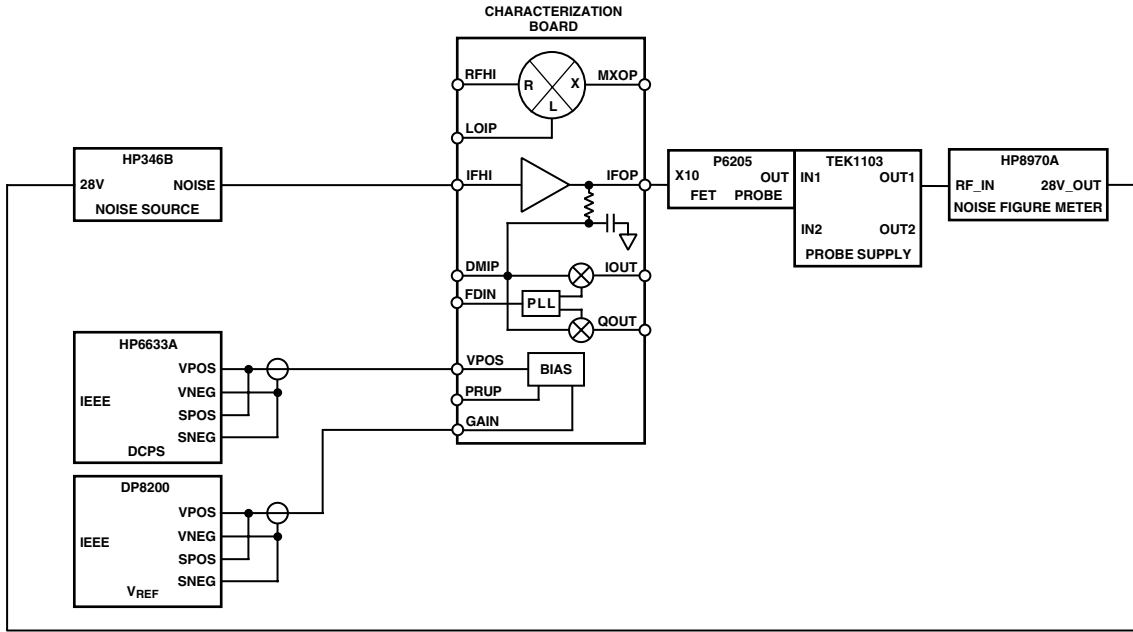


Figure 3. IF Amp Noise Figure Test Set

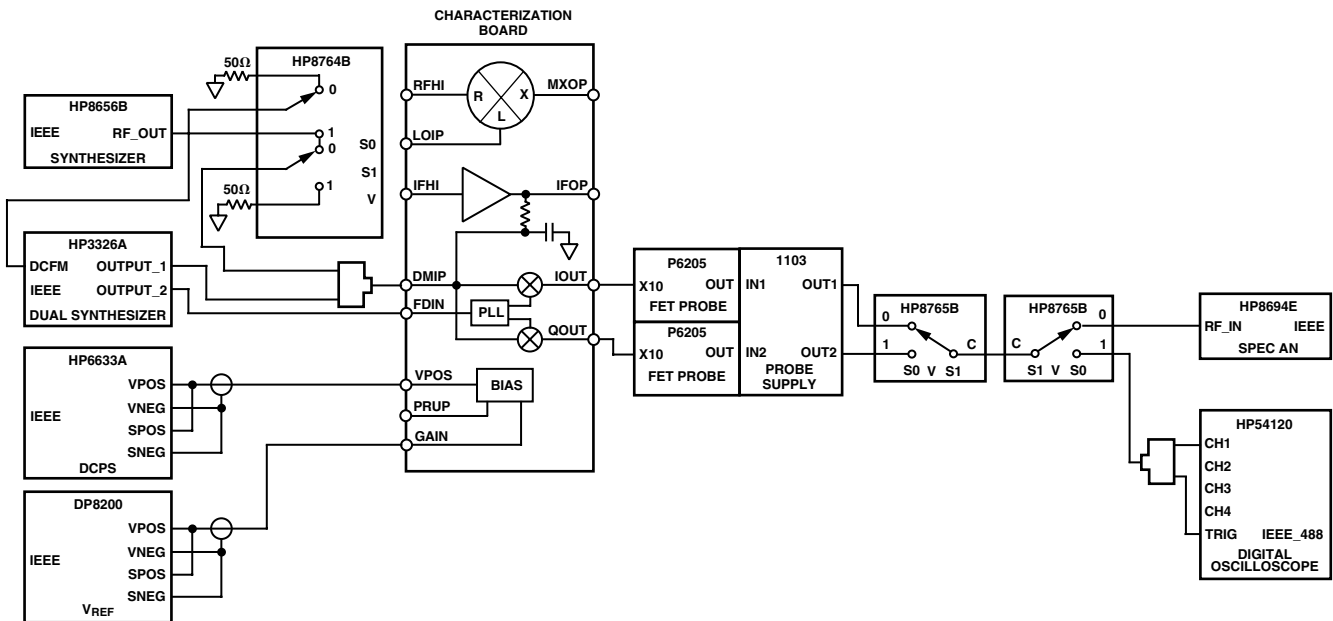


Figure 4. PLL/Demodulator Test Set

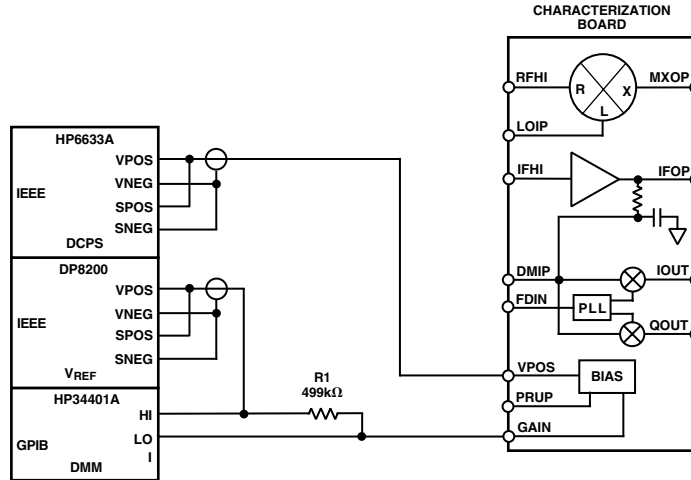


Figure 5. GAIN Pin Bias Test Set

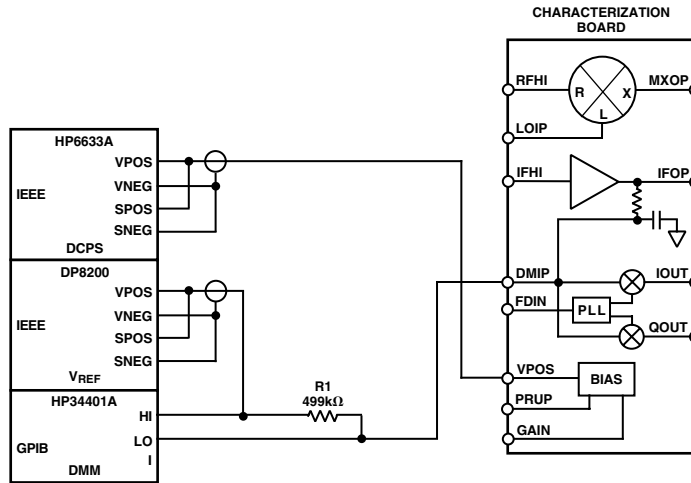


Figure 6. Demodulator Bias Test Set

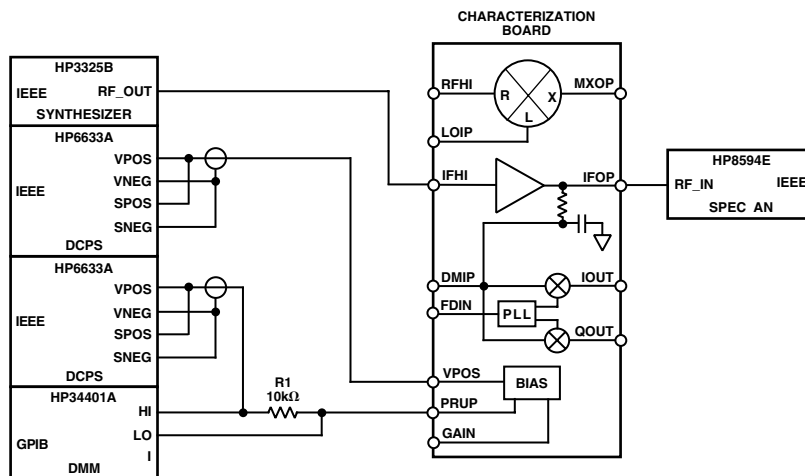


Figure 7. Power-Up Threshold Test Set

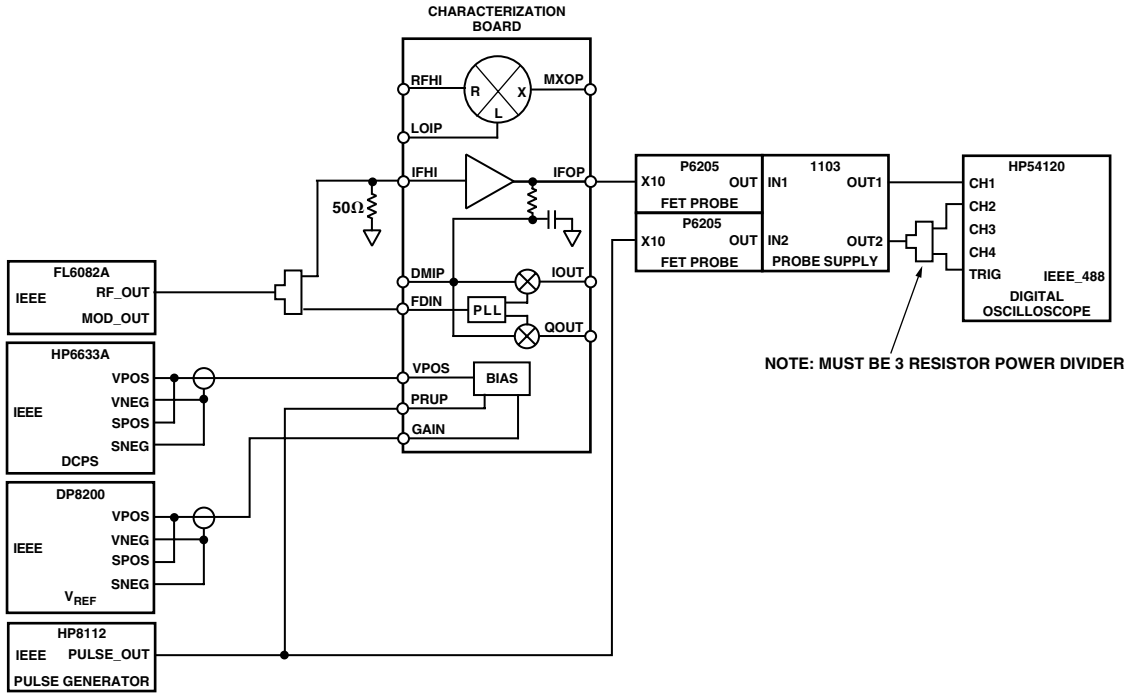


Figure 8. Power-Up Test Set

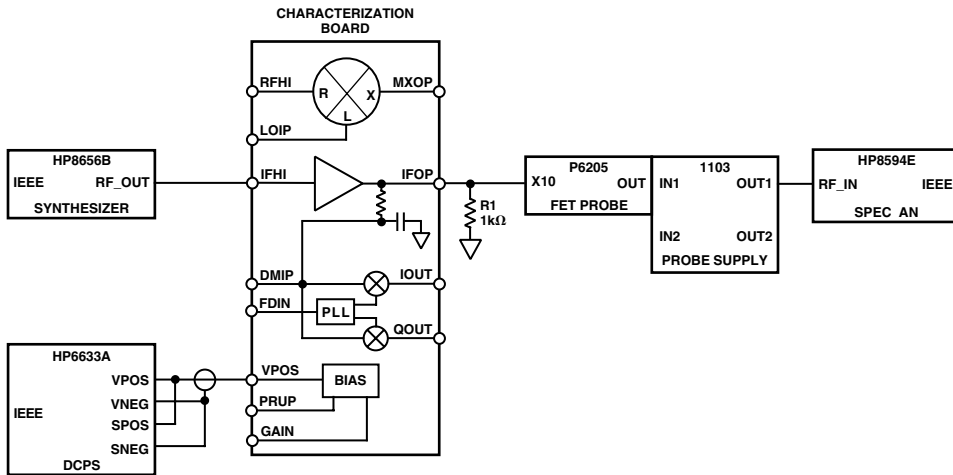


Figure 9. IF Output Impedance Test Set

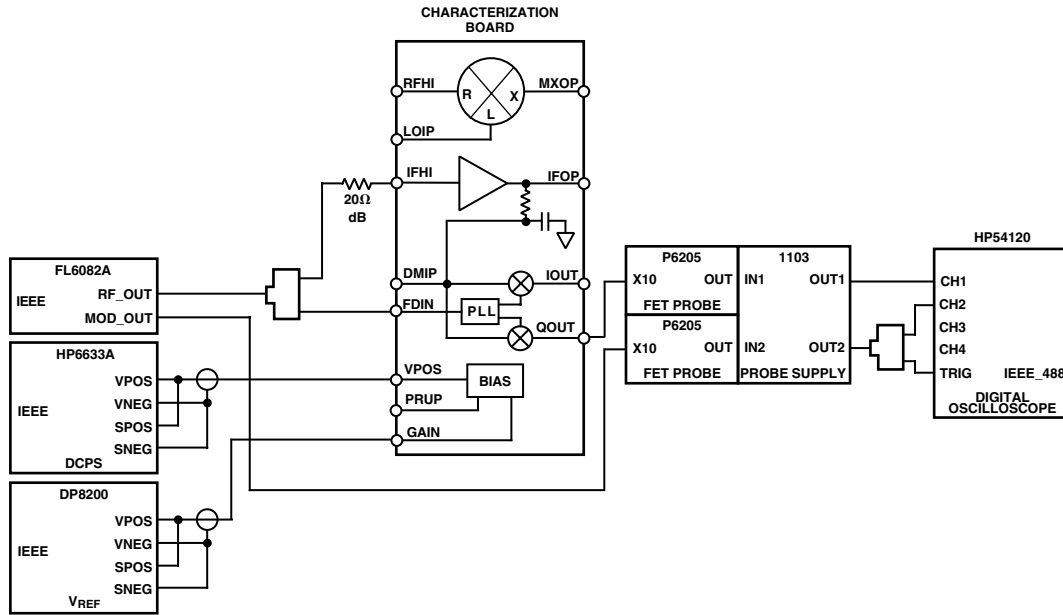


Figure 10. PLL Settling Time Test Set

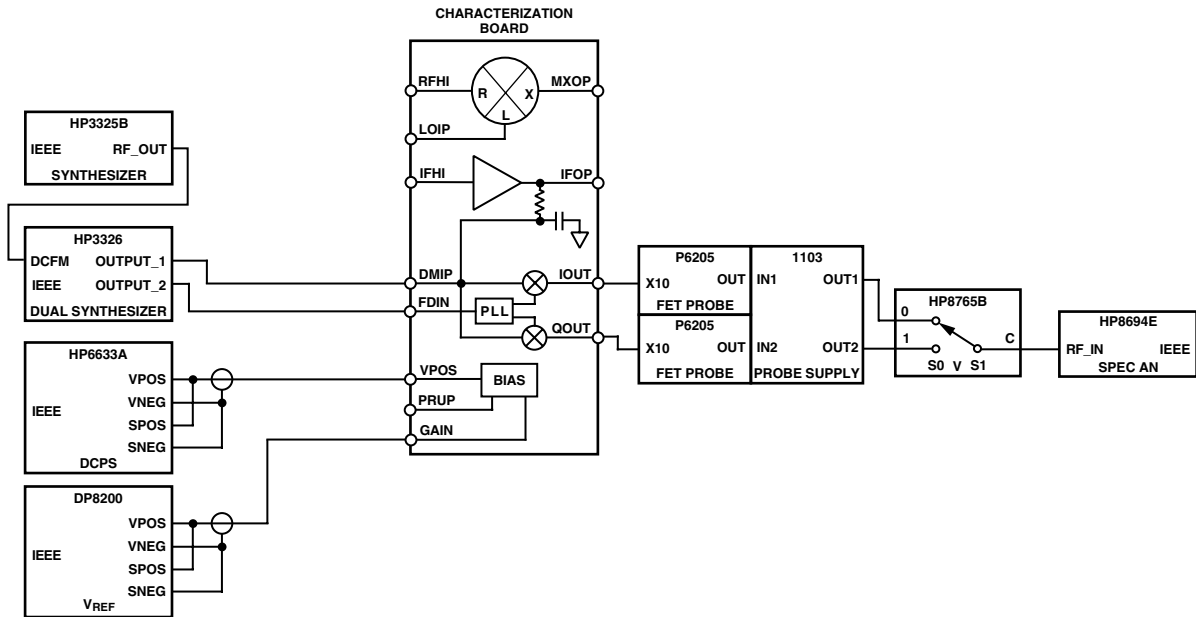


Figure 11. Quadrature Accuracy Test Set

AD607

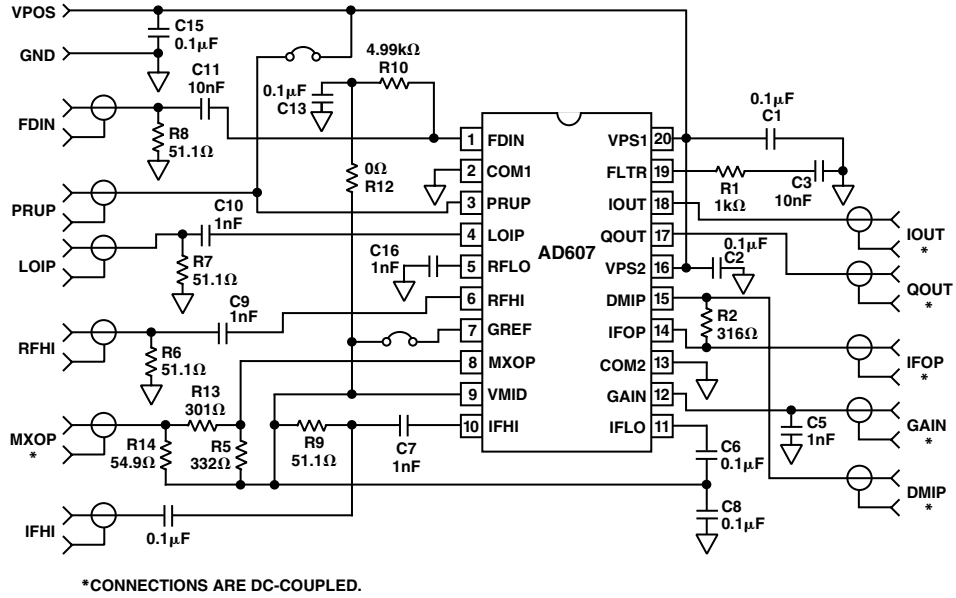
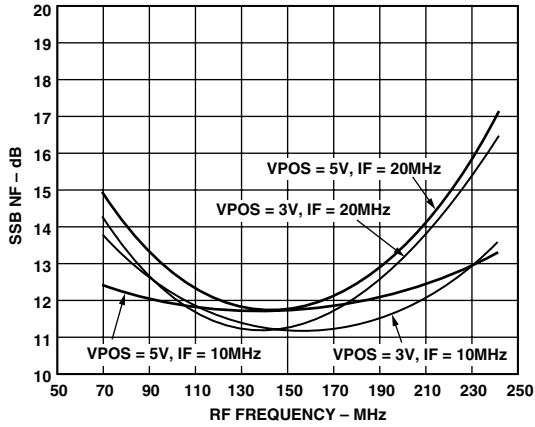
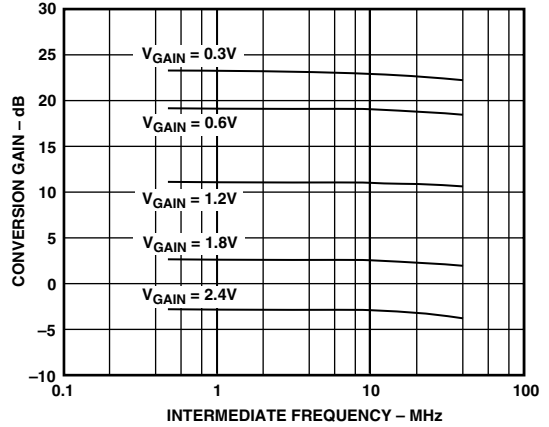


Figure 12. Characterization Board

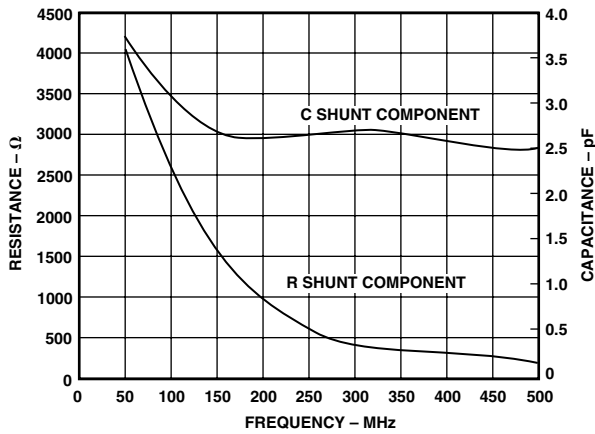
Typical Performance Characteristics—AD607



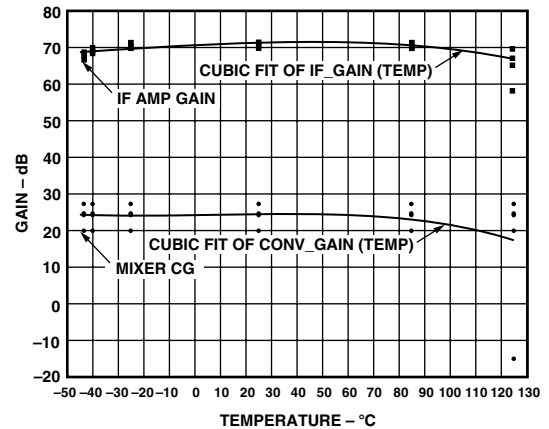
TPC 1. Mixer Noise Figure vs. Frequency



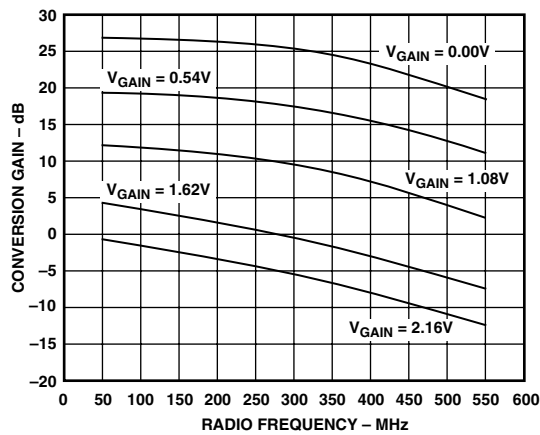
TPC 4. Mixer Conversion Gain vs. IF, $T = 25^{\circ}\text{C}$, $V_{\text{POS}} = 3\text{ V}$, $V_{\text{REF}} = 1.5\text{ V}$



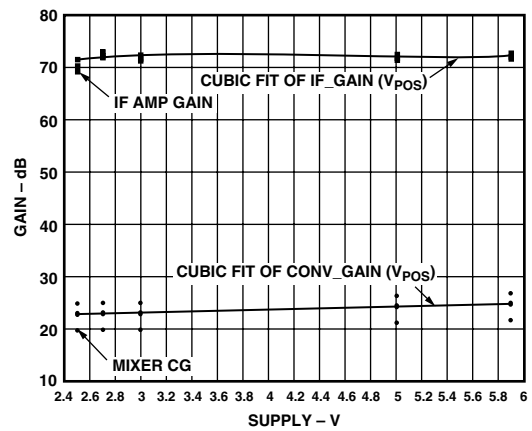
TPC 2. Mixer Input Impedance vs. Frequency, $V_{\text{POS}} = 3\text{ V}$, $V_{\text{GAIN}} = 0.8\text{ V}$



TPC 5. Mixer Conversion Gain and IF Amplifier Gain vs. Temperature, $V_{\text{POS}} = 3\text{ V}$, $V_{\text{GAIN}} = 0.3\text{ V}$, $V_{\text{REF}} = 1.5\text{ V}$, $\text{IF} = 10.7\text{ MHz}$, $\text{RF} = 250\text{ MHz}$

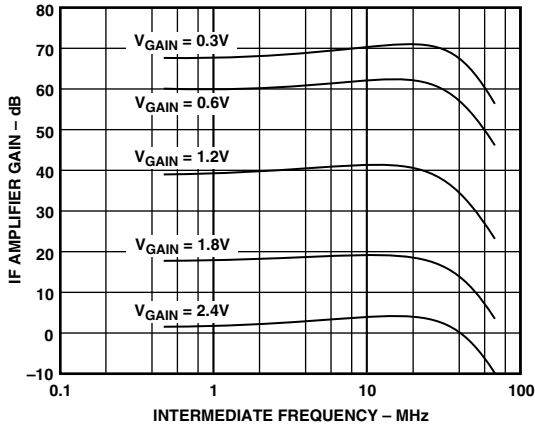


TPC 3. Mixer Conversion Gain vs. Frequency, $T = 25^{\circ}\text{C}$, $V_{\text{POS}} = 2.92\text{ V}$, $V_{\text{REF}} = 1.35\text{ V}$, $\text{IF} = 10.7\text{ MHz}$

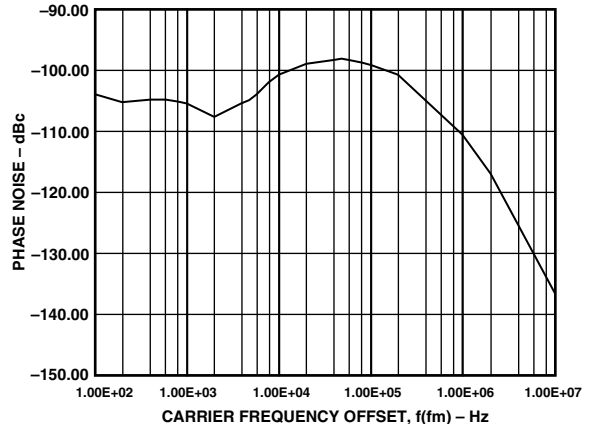


TPC 6. Mixer Conversion Gain and IF Amplifier Gain vs. Supply Voltage, $T = 25^{\circ}\text{C}$, $V_{\text{GAIN}} = 0.3\text{ V}$, $V_{\text{REF}} = 1.5\text{ V}$, $\text{IF} = 10.7\text{ MHz}$, $\text{RF} = 250\text{ MHz}$

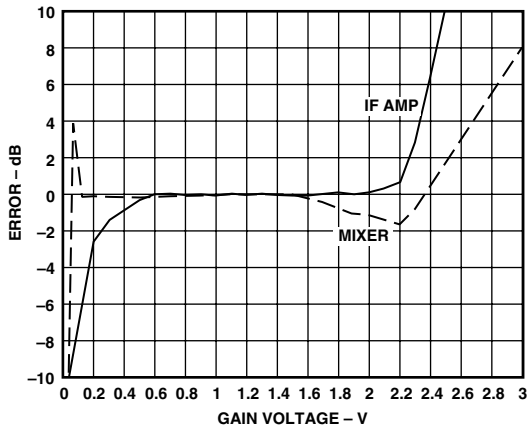
AD607



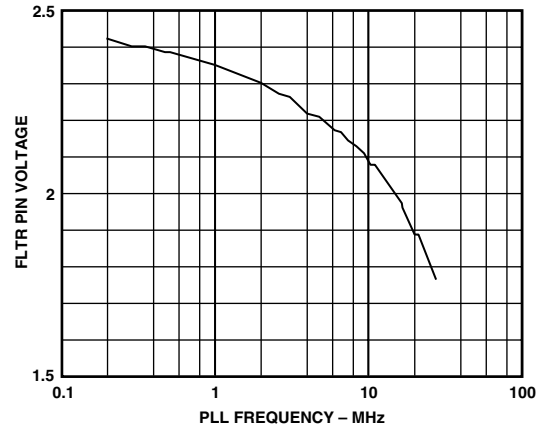
TPC 7. IF Amplifier Gain vs. Frequency, $T = 25^{\circ}\text{C}$, $V_{\text{POS}} = 3\text{ V}$, $V_{\text{REF}} = 1.5\text{ V}$



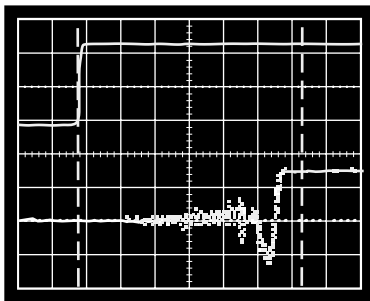
TPC 10. PLL Phase Noise L (F) vs. Frequency, $V_{\text{POS}} = 3\text{ V}$, $C_3 = 0.1\ \mu\text{F}$, $IF = 10.7\text{ MHz}$



TPC 8. Gain Error vs. Gain Control Voltage, Representative Part

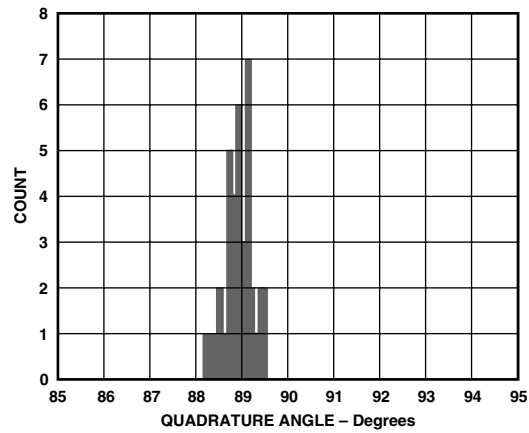


TPC 11. PLL Loop Voltage at FLTR (K_{VCO}) vs. Frequency

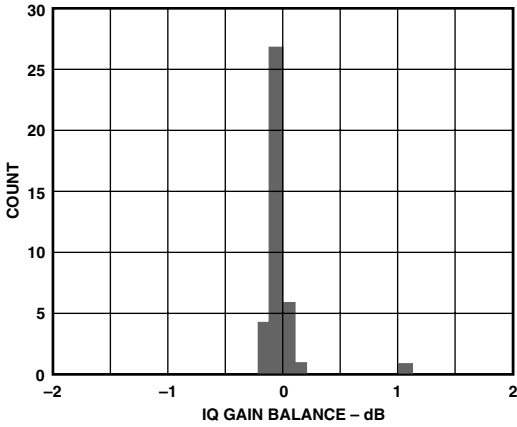


996.200 μs 1.00870ms 1.02120ms
 TIMEBASE = 2.5 $\mu\text{s}/\text{DIV}$ DELAY = 1.00870ms
 MEMORY 1 = 100.0mV/DIV OFFSET = 127.3mV
 TIMEBASE = 2.50 $\mu\text{s}/\text{DIV}$ DELAY = 1.00870ms
 MEMORY 2 = 20.00mV/DIV OFFSET = 155.2mV
 TIMEBASE = 2.50 $\mu\text{s}/\text{DIV}$ DELAY = 1.00870ms
 DELTA T = 16.5199 μs
 START = 1.00048ms STOP = 1.01700ms
 TRIGGER ON EXTERNAL AT POS. EDGE AT 134.0mV

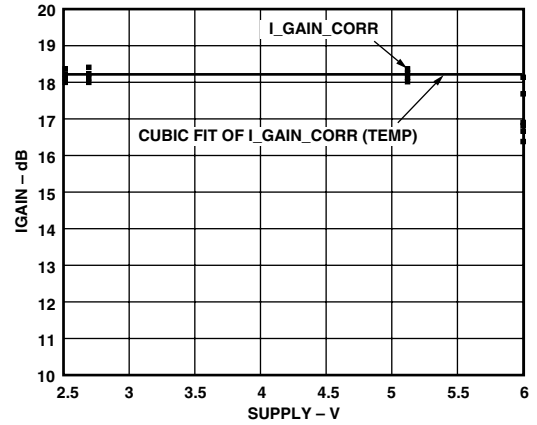
TPC 9. PLL Acquisition Time



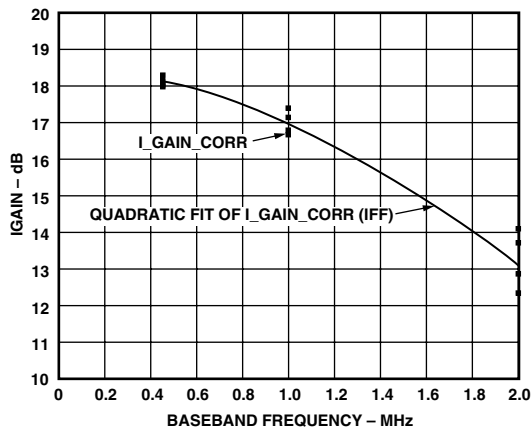
TPC 12. Demodulator Quadrature Angle, Histogram, $T = 25^{\circ}\text{C}$, $V_{\text{POS}} = 3\text{ V}$, $IF = 10.7\text{ MHz}$



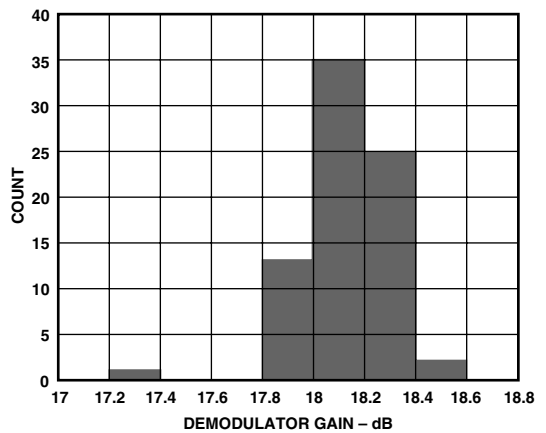
TPC 13. Demodulator Gain Balance, Histogram, $T = 25^{\circ}\text{C}$, $V_{\text{POS}} = 3\text{ V}$, $IF = 10.7\text{ MHz}$



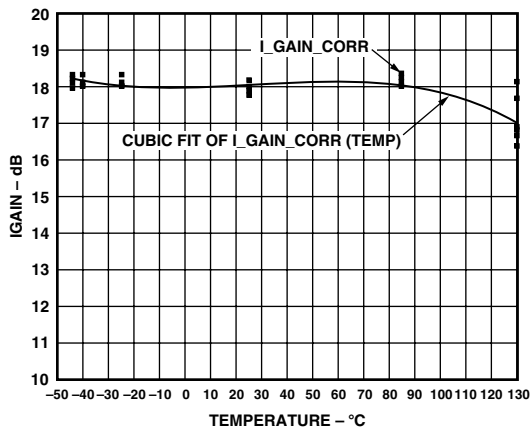
TPC 16. Demodulator Gain vs. Supply Voltage



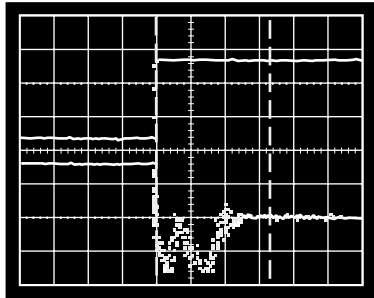
TPC 14. Demodulator Gain vs. Frequency



TPC 17. Demodulator Gain Histogram, $T = 25^{\circ}\text{C}$, $V_{\text{POS}} = 3\text{ V}$, $IF = 10.7\text{ MHz}$

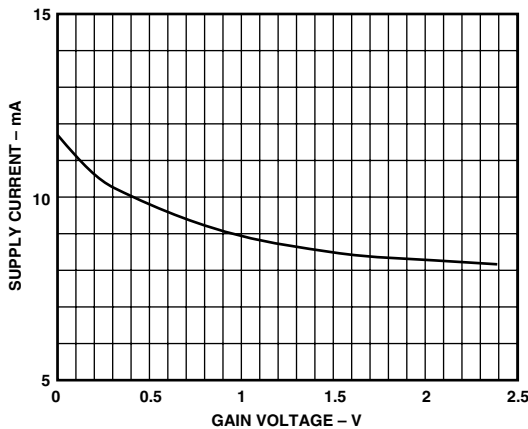


TPC 15. Demodulator Gain vs. Temperature



40.2127ms 40.2377ms 40.2627ms
 TIMEBASE = 500µs/DIV DELAY = 40.2377ms
 MEMORY 1 = 100.0mV/DIV OFFSET = 154.0mV
 TIMEBASE = 5.00µs/DIV DELAY = 40.2377ms
 MEMORY 2 = 60.00mV/DIV OFFSET = 209.0mV
 TIMEBASE = 5.00µs/DIV DELAY = 40.2377ms
 DELTA T = 15.7990µs
 START = 40.2327ms STOP = 40.2485ms
 TRIGGER ON EXTERNAL AT POS. EDGE AT 40.0mV

TPC 18. Power-Up Response Time to PLL Stable



TPC 19. Power Supply Current vs. Gain Control Voltage, GREF = 1.5 V

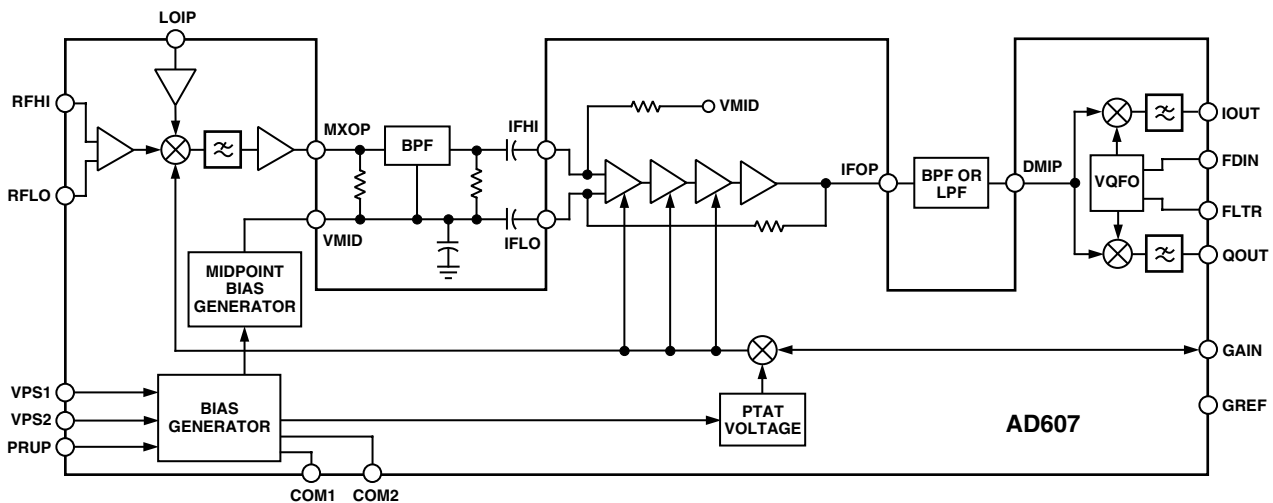


Figure 13. Functional Block Diagram

PRODUCT OVERVIEW

The AD607 provides most of the active circuitry required to realize a complete low power, single-conversion superheterodyne receiver, or most of a double-conversion receiver, at input frequencies up to 500 MHz, and an IF from 400 kHz to 12 MHz. The internal I/Q demodulators and their associated phase-locked loop, which can provide carrier recovery from the IF, support a wide variety of modulation modes, including n-PSK, n-QAM, and AM. A single positive supply voltage of 3 V is required (2.92 V minimum, 5.5 V maximum) at a typical supply current of 8.5 mA at midgain. In the following discussion, V_P will be used to denote the power supply voltage, which will be assumed to be 3 V.

Figure 13 shows the main sections of the AD607. It consists of a variable gain UHF mixer and linear four-stage IF strip, which together provide a voltage controlled gain range of more than 90 dB; dual demodulators, each comprising a multiplier followed by a two-pole, 2 MHz low-pass filter; and a phase-locked loop providing the inphase and quadrature clocks. A biasing system with CMOS compatible power-down completes the AD607.

Mixer

The UHF mixer is an improved Gilbert cell design, and can operate from low frequencies (it is internally dc-coupled) up to an RF input of 500 MHz. The dynamic range at the input of the mixer is determined at the upper end by the maximum input signal level of ± 56 mV between RFHI and RFLO up to which the mixer remains linear, and at the lower end by the noise level. It is customary to define the linearity of a mixer in terms of the 1 dB gain-compression point and third order intercept, which for the AD607 are -15 dBm and -8 dBm, respectively, in a 50 Ω system.

The mixer's RF input port is differential, that is, pin RFLO is functionally identical to RFHI, and these nodes are internally biased; we will generally assume that RFLO is decoupled to ac ground. The RF port can be modeled as a parallel RC circuit as shown in Figure 14.

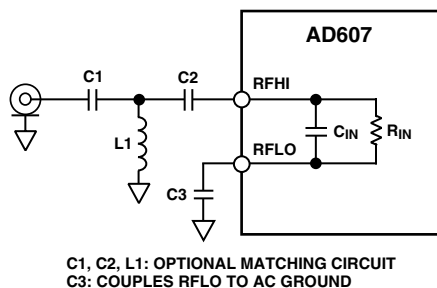


Figure 14. Mixer Port Modeled as a Parallel RC Network; an Optional Matching Network Is also Shown

The local oscillator (LO) input is internally biased at $V_p/2$ via a nominal $1000\ \Omega$ resistor internally connected from pin LOIP to VMID. The LO interface includes a preamplifier that minimizes the drive requirements, thus simplifying the oscillator design and reducing LO leakage from the RF port. Internally, this single-sided input is actually differential; the noninverting input is referenced to Pin VMID. The LO requires a single-sided drive of $\pm 50\ \text{mV}$, or $-16\ \text{dBm}$ in a $50\ \Omega$ system.

The mixer's output passes through both a low-pass filter and a buffer, which provides an internal differential to single-ended signal conversion with a bandwidth of approximately $45\ \text{MHz}$. Its output at Pin MXOP is in the form of a single-ended current. This approach eliminates the $6\ \text{dB}$ voltage loss of the usual series termination by replacing it with shunt terminations at both the input and the output of the filter. The nominal conversion gain is specified for operation into a total IF band-pass filter (BPF) load of $165\ \Omega$, that is, a $330\ \Omega$ filter doubly-terminated as shown in Figure 14. Note that these loads are connected to bias point VMID, which is always at the midpoint of the supply (that is, $V_p/2$).

The conversion gain is measured between the mixer input and the input of this filter, and varies between $1.5\ \text{dB}$ and $26.5\ \text{dB}$ for a $165\ \Omega$ load impedance. Using filters of higher impedance, the conversion gain can always be maintained at its specified value or made even higher; for filters of lower impedance, of say Z_0 , the conversion gain will be lowered by $10\ \log_{10}(165/Z_0)$. Thus, the use of a $50\ \Omega$ filter will result in a conversion gain that is $5.2\ \text{dB}$ lower. Figure 15 shows filter matching networks and Table I lists resistor values.

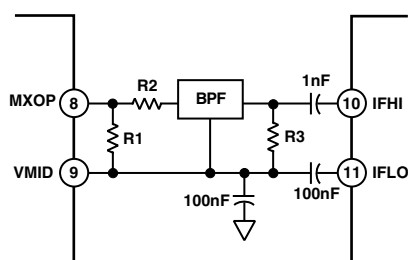


Figure 15. Suggested IF Filter Matching Network. The Values of R_1 and R_2 Are Selected to Keep the Impedance at Pin MXOP at $165\ \Omega$

Table I. Filter Termination Resistor Values for Common IFs

| IF | Filter Impedance | Filter Termination Resistor Values* for 24 dB of Mixer Gain | | |
|----------|------------------|---|---------------|---------------|
| | | R1 | R2 | R3 |
| 450 kHz | 1500 Ω | 174 Ω | 1330 Ω | 1500 Ω |
| 455 kHz | 1500 Ω | 174 Ω | 1330 Ω | 1500 Ω |
| 6.5 MHz | 1000 Ω | 215 Ω | 787 Ω | 1000 Ω |
| 10.7 MHz | 330 Ω | 330 Ω | 0 Ω | 330 Ω |

*Resistor values were calculated such that $R_1 + R_2 = Z_{\text{FILTER}}$ and $R_1 \parallel (R_2 + Z_{\text{FILTER}}) = 165\ \Omega$.

The maximum permissible signal level at MXOP is determined by both voltage and current limitations. Using a $3\ \text{V}$ supply and VMID at $1.5\ \text{V}$, the maximum swing is about $\pm 1.3\ \text{V}$. To attain a voltage swing of $\pm 1\ \text{V}$ in the standard IF filter load of $165\ \Omega$ requires a peak drive current of about $\pm 6\ \text{mA}$, which is well within the linear capability of the mixer. However, these upper limits for voltage and current should not be confused with issues related to the mixer gain, already discussed. In an operational system, the AGC voltage will determine the mixer gain, and hence the signal level at the IF input Pin IFHI; it will always be less than $\pm 56\ \text{mV}$ ($-15\ \text{dBm}$ into $50\ \Omega$), which is the limit of the IF amplifier's linear range.

IF Amplifier

Most of the gain in the AD607 arises in the IF amplifier strip, which comprises four stages. The first three are fully differential and each has a gain span of $25\ \text{dB}$ for the nominal AGC voltage range. Thus, in conjunction with the mixer's variable gain, the total gain exceeds $90\ \text{dB}$. The final IF stage has a fixed gain of $20\ \text{dB}$, and it also provides differential to single-ended conversion.

The IF input is differential, at IFHI (noninverting relative to the output IFOP) and IFLO (inverting). Figure 16 shows a simplified schematic of the IF interface. The offset voltage of this stage would cause a large dc output error at high gain, so it is nulled by a low pass feedback path from the IF output, also shown in TPC 13. Unlike the mixer output, the signal at IFOP is a low-impedance single-sided voltage, centered at $V_p/2$ by the dc feedback loop. It may be loaded by a resistance as low as $50\ \Omega$, which will normally be connected to VMID.

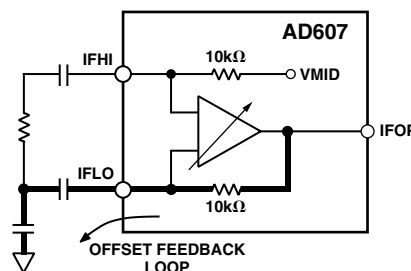
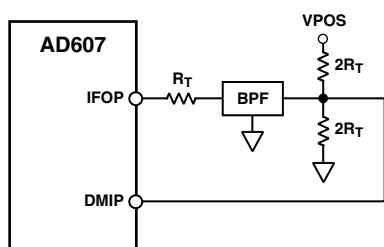


Figure 16. Simplified Schematic of the IF Interface

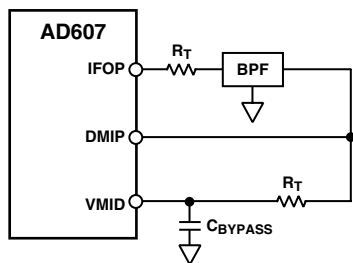
AD607

The IF's small-signal bandwidth is approximately 45 MHz from IFHI and IFLO through IFOP. The peak output at IFOP is ± 560 mV at $V_P = 3$ V and ± 400 mV at the minimum V_P of 2.92 V. This allows some headroom at the demodulator inputs (Pin DMIP), which accept a maximum input of ± 150 mV for IFs > 3 MHz and ± 75 mV for IFs ≤ 3 MHz (at IFs ≤ 3 MHz, the drive to the demodulators must be reduced to avoid saturating the output amplifiers with higher order mixing products that are no longer removed by the on-board low pass filters).

Since there is no band-limiting in the IF strip, the output-referred noise can be quite high; in a typical application and at a gain of 75 dB, it is about 100 mV rms, making post-IF filtering desirable. IFOP may be also used as an IF output for driving an A/D converter, external demodulator, or external AGC detector. Figure 17 shows methods of matching the optional second IF filter.



a. Biasing DMIP from Power Supply (Assumes BPF AC-Coupled Internally)



b. Biasing DMIP from VMID (Assumes BPF AC-Coupled Internally)

Figure 17. Input and Output Matching of the Optional Second IF Filter

Gain Scaling and RSSI

The AD607's overall gain, expressed in decibels, is linear-in-dB with respect to the AGC voltage V_G at Pin GAIN. The gain of all sections is maximum when V_G is zero, and reduces progressively up to $V_G = 2.2$ V (for $V_P = 3$ V; in general, up to a limit $V_P - 0.8$ V). The gain of all stages changes in parallel. The AD607 features temperature compensation of the gain scaling. The gain control scaling is proportional to the reference voltage applied to the Pin GREF. When this pin is tied to the midpoint of the supply (VMID), the scale is nominally 20 mV/dB (50 dB/V) for $V_P = 3$ V. Under these conditions, the lower 80 dB of gain range (mixer plus IF) corresponds to a control voltage of 0.4 V $\leq V_G \leq 2.0$ V. The final centering of this 1.6 V range depends on the insertion losses of the IF filters used. More generally, the gain scaling using these connections is $V_P/150$ (volts per dB), so scale becomes 33.3 mV/dB (30 dB/V) using a 5 V supply, with a proportional change in the AGC range, to 0.33 V $\leq V_G \leq 3$ V.

Table II lists gain control voltages and scale factors for power supply voltages from 2.92 V to 5.5 V

Alternatively, Pin GREF can be tied to an external voltage reference (V_R) from, for example, an AD1582 (2.5 V) or AD1580 (1.21 V) voltage reference, to provide supply-independent gain scaling of $V_R/75$ (volts per dB). When using the Analog Devices' AD7013 and AD7015 baseband converters, the external reference may also be provided by the reference output of the baseband converter (Figure 18). For example, the AD7015 baseband converter provides a V_R of 1.23 V; when connected to GREF, the gain scaling is 16.4 mV/dB (60 dB/V). An auxiliary DAC in the AD7015 can be used to generate the MGC voltage. Since it uses the same reference voltage, the numerical input to this DAC provides an accurate RSSI value in digital form, no longer requiring the reference voltage to have high absolute accuracy.

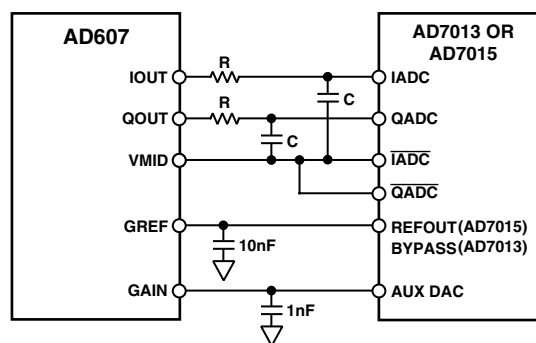
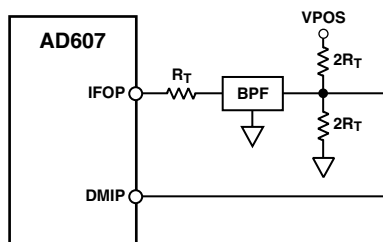


Figure 18. Interfacing the AD607 to the AD7013 or AD7015 Baseband Converters

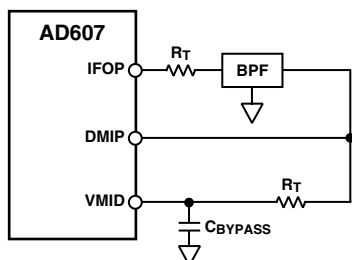
I/Q Demodulators

Both demodulators (I and Q) receive their inputs at Pin DMIP. Internally, this single-sided input is actually differential; the noninverting input is referenced to Pin VMID. Each demodulator comprises a full-wave synchronous detector followed by a 2 MHz, two-pole low-pass filter, producing single-sided outputs at pins IOUT and QOUT. Using the I and Q demodulators for IFs above 12 MHz is precluded by the 400 kHz to 12 MHz response of the PLL used in the demodulator section. Pin DMIP requires an external bias source at $V_P/2$; Figure 19 shows suggested methods.

Outputs IOUT and QOUT are centered at $V_P/2$ and can swing up to ± 1.23 V even at the low supply voltage of 2.92 V. They can therefore directly drive the RX ADCs in the AD7015 baseband converter, which require an amplitude of 1.23 V to fully load them when driven by a single-sided signal. The conversion gain of the I and Q demodulators is 18 dB (X8), requiring a maximum input amplitude at DMIP of ± 150 mV for IFs > 3 MHz.



a. Biasing DMIP from Power Supply (Assumes BPF AC-Coupled Internally)



b. Biasing DMIP from VMID (Assumes BPF AC-Coupled Internally)

Figure 19. Suggested Methods for Biasing Pin DMIP at $V_P/2$

For IFs < 3 MHz, the on-chip low-pass filters (2 MHz cutoff) do not attenuate the IF or feedthrough products. Thus, the maximum input voltage at DMIP must be limited to ± 75 mV to allow sufficient headroom at the I and Q outputs for not only the desired baseband signal, but also the unattenuated higher-order demodulation products. These products can be removed by an external low-pass filter. In the case of IS54 applications using a 455 kHz IF and the AD7013 baseband converter, a simple one-pole RC filter with its corner above the modulation bandwidth is sufficient to attenuate undesired outputs.

Phase-Locked Loop

The demodulators are driven by quadrature signals that are provided by a variable frequency quadrature oscillator (VFQO), phase-locked to a reference signal applied to Pin FDIN. When this signal is at the IF, in-phase and quadrature baseband outputs

are generated at IOUT and QOUT, respectively. The quadrature accuracy of this VFQO is typically -1.2°C at 10.7 MHz. The PLL uses a sequential-phase detector that comprises low power emitter-coupled logic and a charge pump (Figure 20).

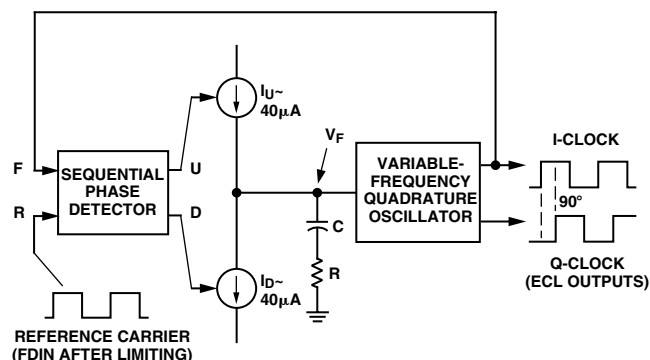


Figure 20. Simplified Schematic of the PLL and Quadrature VCO

The reference signal may be provided from an external source in the form of a high level clock, typically a low level signal (± 400 mV) since there is an input amplifier between FDIN and the loop's phase detector. For example, the IF output itself can be used by connecting DMIP to FDIN, which will then provide automatic carrier recover for synchronous AM detection and take advantage of any post-IF filtering. Pin FDIN must be biased at $V_P/2$; Figure 22 shows suggested methods.

The VFQO operates from 400 kHz to 12 MHz and is controlled by the voltage between VPOS and FLTR. In normal operation, a series RC network forming the PLL loop filter is connected from FLTR to ground. The use of an integral sample-and-hold system ensures that the frequency-control voltage on Pin FLTR remains held during power-down, so reacquisition of the carrier typically occurs in 16.5 μs .

In practice, the probability of a phase mismatch at power-up is high, so the worst-case linear settling period to full lock needs to be considered in making filter choices. This is typically 16.5 μs at an IF of 10.7 MHz for a ± 100 mV signal at DMIP and FDIN.

Table II. AD607 Gain and Manual Gain Control Voltage vs. Power Supply Voltage

| Power Supply Voltage (V) | GREF (= VMID) (V) | Scale Factor (dB/V) | Scale Factor (mV/dB) | Gain Control Voltage Input Range (V) |
|--------------------------|-------------------|---------------------|----------------------|--------------------------------------|
| 3.0 | 1.5 | 50.00 | 20.00 | 0.400–2.000 |
| 3.5 | 1.75 | 42.86 | 23.33 | 0.467–2.333 |
| 4.0 | 2.0 | 37.50 | 26.67 | 0.533–2.667 |
| 4.5 | 2.25 | 33.33 | 30.00 | 0.600–3.000 |
| 5.0 | 2.5 | 30.00 | 33.33 | 0.667–3.333 |
| 5.5 | 2.75 | 27.27 | 36.67 | 0.733–3.667 |

Maximum gain occurs for gain control voltage = 0 V.

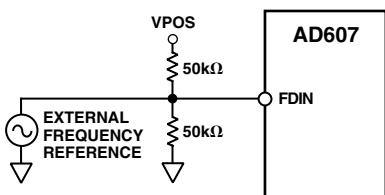
AD607

Bias System

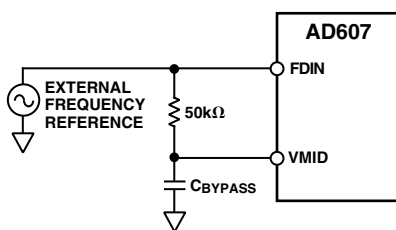
The AD607 operates from a single supply, V_P , usually of 3 V, at a typical supply current of 8.5 mA at midgain and $T = 27^\circ\text{C}$, corresponding to a power consumption of 25 mW. Any voltage from 2.92 V to 5.5 V may be used.

The bias system includes a fast-acting active-high CMOS-compatible power-up switch, allowing the part to idle at 550 μA when disabled. Biasing is proportional-to-absolute temperature (PTAT) to ensure stable gain with temperature.

An independent regulator generates a voltage at the midpoint of the supply ($V_P/2$) that appears at the VMID pin at a low impedance. This voltage does not shut down, ensuring that the major signal interfaces (e.g., mixer-to-IF and IF-to-demodulators) remain biased at all times, thus minimizing transient disturbances at power-up and allowing the use of substantial decoupling capacitors on this node. The quiescent consumption of this regulator is included in the idling current.



a. Biasing FDIN from Supply when Using External Frequency Reference



b. Biasing FDIN from VMID when Using External Frequency Reference

Figure 21. Suggested Methods for Biasing Pin FDIN at $V_P/2$

USING THE AD607

In this section, we will focus on a few areas of special importance and include a few general application tips. As is true of any wideband high gain component, great care is needed in PC board layout. The location of the particular grounding points must be considered with due regard to the possibility of unwanted signal coupling, particularly from IFOP to RFHI or IFHI or both.

The high sensitivity of the AD607 leads to the possibility that unwanted local EM signals may have an effect on the performance. During system development, carefully-shielded test assemblies should be used. The best solution is to use a fully-enclosed box enclosing all components, with the minimum number of needed signal connectors (RF, LO, I, and Q outputs) in miniature coax form.

The I and Q output leads can include small series resistors (about 100 Ω) inside the shielded box without significant loss of performance, provided the external loading during testing is light (that is, a resistive load of more than 20 k Ω and capacitances of a few picofarads). These help to keep unwanted RF emanations out of the interior.

The power supply should be connected via a through-hole capacitor with a ferrite bead on both inside and outside leads. Close to the IC pins, two capacitors of different value should be used to decouple the main supply (V_P) and the midpoint supply pin, VMID. Guidance on these matters is also generally included in applications schematics.

Gain Distribution

As in all receivers, the most critical decisions in effectively using the AD607 relate to the partitioning of gain between the various subsections (Mixer, IF Amplifier, Demodulators) and the placement of filters so as to achieve the highest overall signal-to-noise ratio and lowest intermodulation distortion.

Figure 22 shows the main RF/IF signal path at maximum and minimum signal levels.

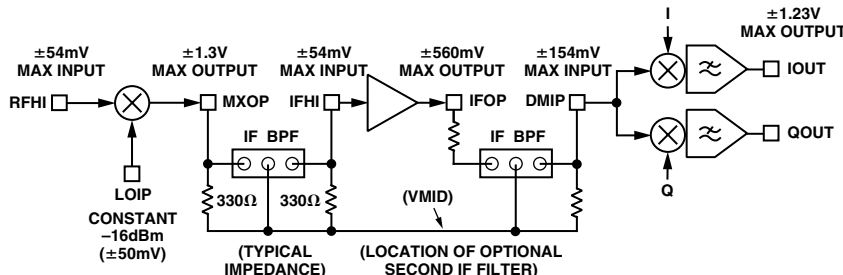


Figure 22. Signal Levels for Minimum and Maximum Gain

As noted earlier, the gain in dB is reduced linearly with the voltage V_G on the GAIN pin. Figure 23 shows how the mixer and IF strip gains vary with V_G when GREF is connected to VMID (1.5 V) and a supply voltage of 3 V is used. Figure 24 shows how these vary when GREF is connected to a 1.23 V reference.

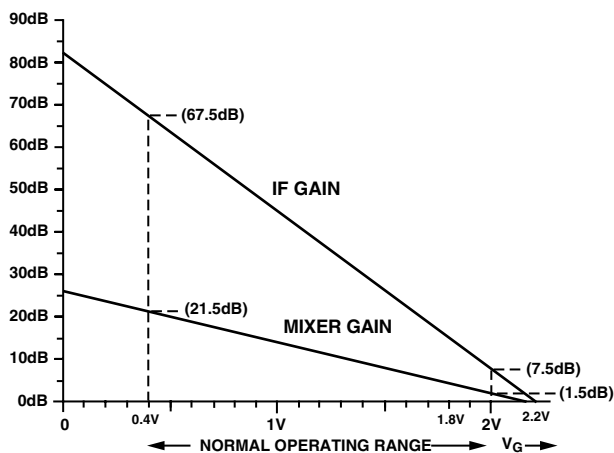


Figure 23. Gain Distribution for GREF = 1.5 V

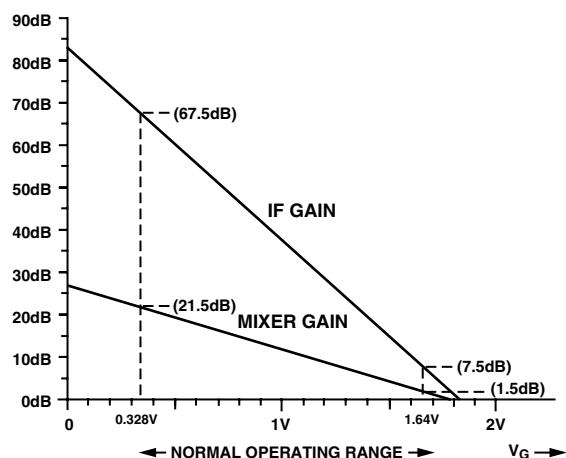


Figure 24. Gain Distribution for GREF = 1.23 V

Using the AD607 with a Fast PRUP Control Signal

If the AD607 is used in a system in which the PRUP signal (Pin 3) is applied with a rise time less than 35 μ s, anomalous behavior occasionally occurs. The problem is intermittent, so it will not occur every time the part is powered up under these conditions. It does not occur for any other normal operating conditions when the PRUP signal has a rise time slower than 35 μ s. Symptoms of operation with too fast a PRUP signal include low gain, oscillations at the I or Q outputs of the device, or no valid data occurring at the output of the AD607. The problem causes no permanent damage to the AD607, so it will often operate normally when reset.

Fortunately, there is a very simple solution to the fast PRUP problem. If the PRUP signal (Pin 3) is slowed down so that the rise time of the signal edge is greater than 35 μ s, the anomalous behavior will not occur. This can be realized by a simple RC circuit connected to the PRUP pin, where $R = 4.7$ k Ω and $C = 1.5$ nF. This circuit is shown in Figure 25.

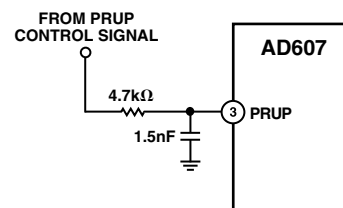


Figure 25. Proper Configuration of AD607 PRUP Signal

All designs incorporating the AD607 should include this circuitry.

Note that connecting the PRUP pin to the supply voltage will not eliminate the problem, since the supply voltage may have a rise time faster than 35 μ s. With this configuration, the 4.7 k Ω series R and 1.5 nF shunt C should be placed between the supply and the PRUP pin as shown in Figure 25.

AD607 EVALUATION BOARD

The AD607 evaluation board (Figures 26 and 27) consists of an AD607, ground plane, I/O connectors, and a 10.7 MHz band-pass filter. The RF and LO ports are terminated in 50 Ω to provide a broadband match to external signal generators to allow a choice of RF and LO input frequencies. The IF filter is at 10.7 MHz and has 330 Ω input and output terminations; the board is laid out to allow the user to substitute other filters for other IFs.

The board provides SMA connectors for the RF and LO port inputs, the demodulated I and Q outputs, the manual gain control (MGC) input, the PLL input, and the power-up input. In addition, the IF output is also available at an SMA connector; this may be connected to the PLL input for carrier recovery to realize synchronous AM and FM detection via the I and Q demodulators, respectively. Table III lists the AD607 Evaluation Board's I/O Connectors and their functions.

AD607

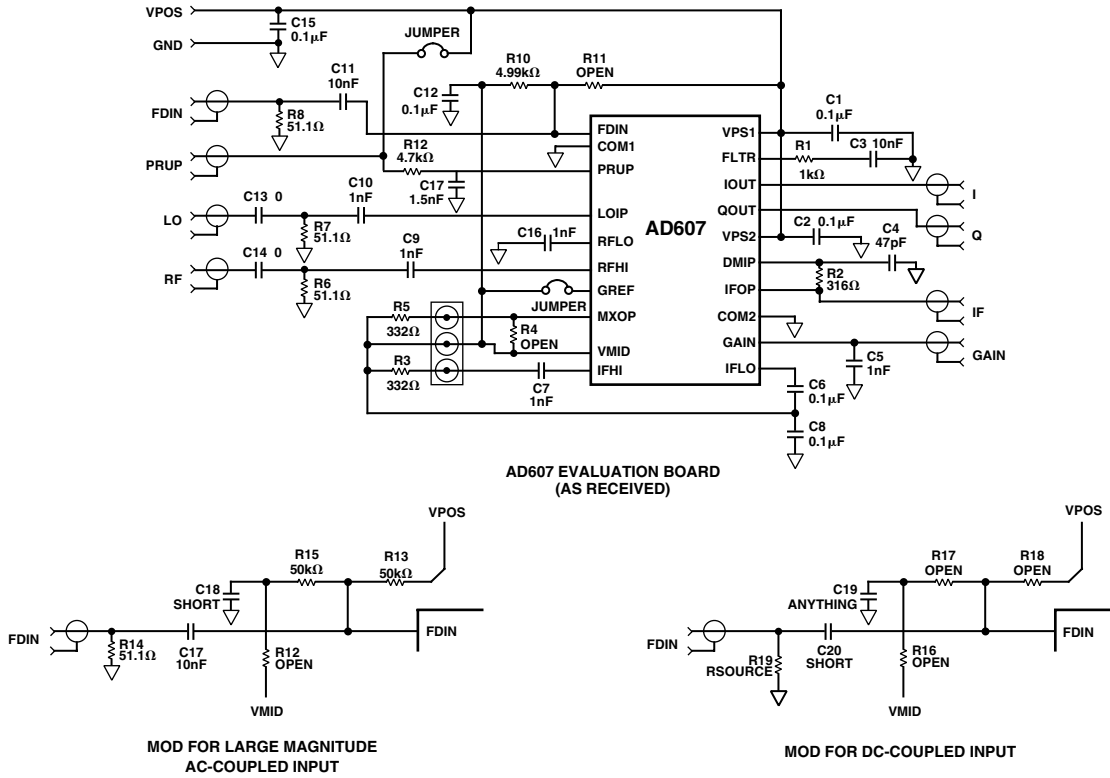


Figure 26. Evaluation Board

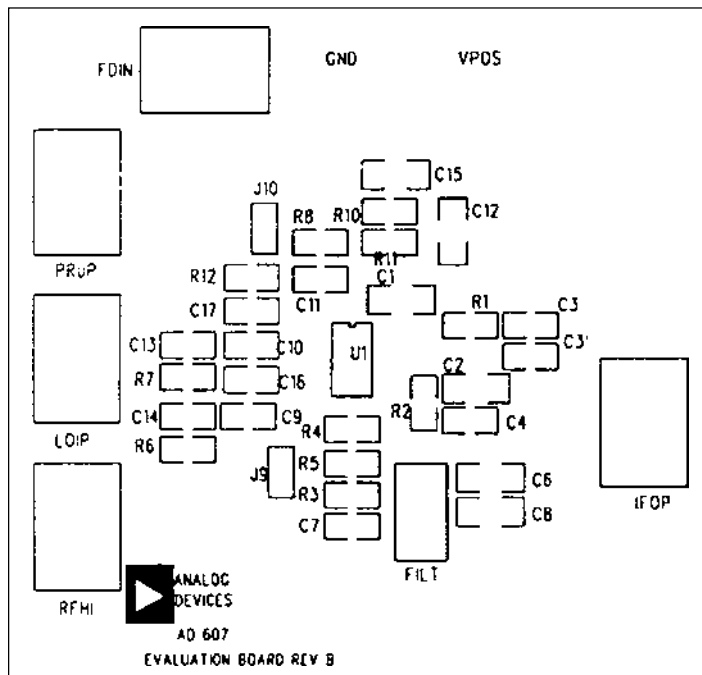


Figure 27a. Evaluation Board Layout, Topside

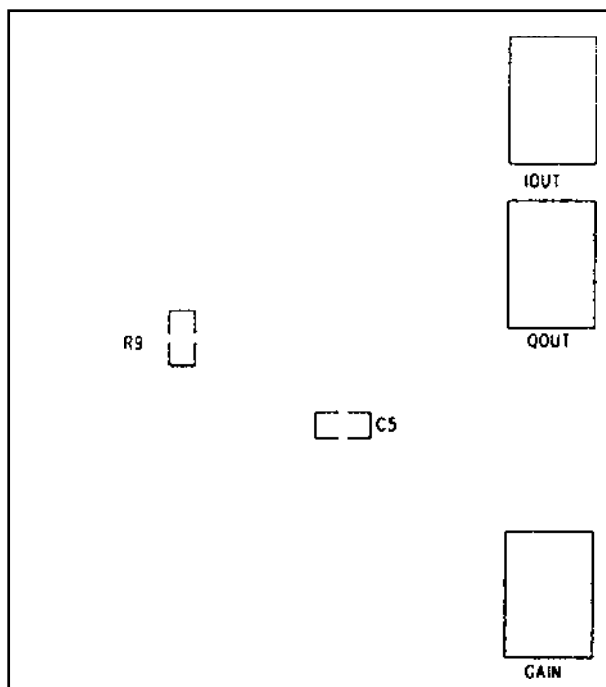


Figure 27b. Evaluation Board Layout, Bottom Side

Table III. AD607 Evaluation Board Input and Output Connections

| Reference Designation | Connector Type | Description | Coupling | Approximate Signal Level | Comments |
|-----------------------|----------------|--|----------|---|---|
| J1 | SMA | Frequency Detector Input | DC | ± 400 mV | This pin needs to be biased at VMID and ac-coupled when driven by an external signal generator. |
| J2 | SMA | Power-Up | DC | CMOS Logic Level Input | Tied to Positive Supply by Jumper J10 |
| J3 | SMA | LO Input | AC | -16 dBm (± 50 mV) | Input is terminated in 50 Ω . |
| J4 | SMA | RF Input | AC | -15 dBm max (± 54 mV) | Input is terminated in 50 Ω . |
| J5 | SMA | MGC Input | DC | 0.4 V to 2.0 V (3 V Supply) (GREF = VMID) | Jumper is set for manual gain control input; see Table I for control voltage values. |
| J6 | SMA | IF Output | AC | NA | This signal level depends on the AD607's gain setting. |
| J7 | SMA | Q Output | AC | NA | This signal level depends on the AD607's gain setting. |
| J8 | SMA | I Output | AC | NA | This signal level depends on the AD607's gain setting. |
| J9 | Jumper | Ties GREF to VMID | NA | NA | Sets gain-control scale factor (SF); $SF = 75/VMID$ in dB/V, where $VMID = VPOS/2$. |
| J10 | Jumper | Ties Power-Up to Positive Supply | NA | NA | Remove to test power-up/-down. |
| T1 | Terminal Pin | Power Supply Positive Input (VPS1, VPS2) | DC | DC | 2.92 V to 5.5 V Draws 8.5 mA at midgain connection. |
| T2 | Terminal Pin | Power Supply Return (GND) | DC | 0 V | |

AD607

In operation (Figure 28), the AD607 evaluation board draws about 8.5 mA at midgain (59 dB). Use high impedance probes to monitor signals from the demodulated I and Q outputs and the IF output. The MGC voltage should be set such that the signal level at DMIP does not exceed ± 150 mV; signal levels

above this will overload the I and Q demodulators. The insertion loss between IFOP and DMIP is typically 3 dB if a simple low-pass filter (R8 and C2) is used, and higher if a reverse-terminated band-pass filter is used.

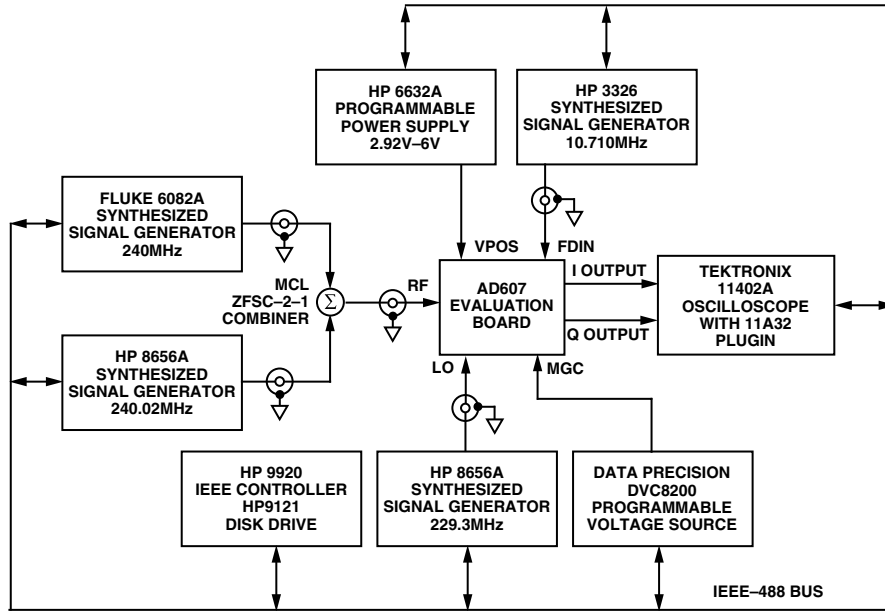
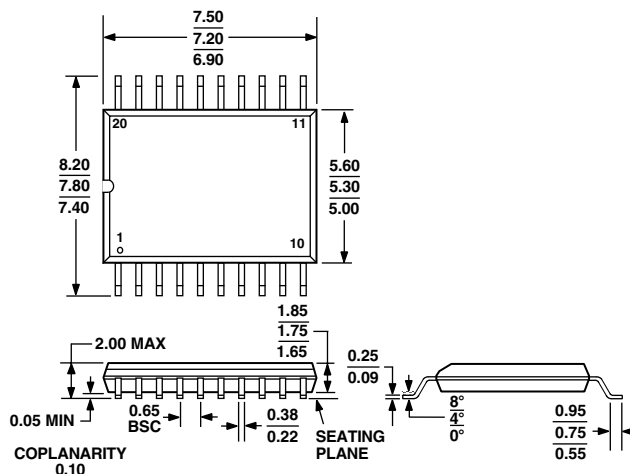


Figure 28. Evaluation Board Test Setup

OUTLINE DIMENSIONS

20-Lead Shrink Small Outline Package [SSOP]
(RS-20)

Dimensions shown in millimeters



AD607

Revision History

| Location | Page |
|--|------|
| 11/02—Data Sheet changed from REV. B to REV. C. | |
| Edits to SPECIFICATIONS | 2 |
| Edits to ABSOLUTE MAXIMUM RATINGS | 3 |
| Edits to ORDERING GUIDE | 3 |
| Changes to TPC 3 | 11 |
| Edits to PRODUCT OVERVIEW | 14 |
| Edits to IF Amplifier section | 15 |
| Edits to Gain Scaling and RSSI section | 16 |
| Edits to I/Q Demodulators section | 16 |
| Edits to Table II | 17 |
| Edits to Bias System | 18 |
| Edits to Table III | 21 |
| Edits to Figure 28 | 22 |
| OUTLINE DIMENSIONS Updated | 23 |

C00543-0-11/02(C)

PRINTED IN U.S.A.

Компания «Life Electronics» занимается поставками электронных компонентов импортного и отечественного производства от производителей и со складов крупных дистрибьюторов Европы, Америки и Азии.

С конца 2013 года компания активно расширяет линейку поставок компонентов по направлению коаксиальный кабель, кварцевые генераторы и конденсаторы (керамические, пленочные, электролитические), за счёт заключения дистрибьюторских договоров

Мы предлагаем:

- Конкурентоспособные цены и скидки постоянным клиентам.
- Специальные условия для постоянных клиентов.
- Подбор аналогов.
- Поставку компонентов в любых объемах, удовлетворяющих вашим потребностям.
- Приемлемые сроки поставки, возможна ускоренная поставка.
- Доставку товара в любую точку России и стран СНГ.
- Комплексную поставку.
- Работу по проектам и поставку образцов.
- Формирование склада под заказчика.
- Сертификаты соответствия на поставляемую продукцию (по желанию клиента).
- Тестирование поставляемой продукции.
- Поставку компонентов, требующих военную и космическую приемку.
- Входной контроль качества.
- Наличие сертификата ISO.

В составе нашей компании организован Конструкторский отдел, призванный помогать разработчикам, и инженерам.

Конструкторский отдел помогает осуществить:

- Регистрацию проекта у производителя компонентов.
- Техническую поддержку проекта.
- Защиту от снятия компонента с производства.
- Оценку стоимости проекта по компонентам.
- Изготовление тестовой платы монтаж и пусконаладочные работы.



Тел: +7 (812) 336 43 04 (многоканальный)
Email: org@lifeelectronics.ru