

MAX40201

Dual-Channel, 0V to 76V Current-Sense Amplifier

General Description

The MAX40201 dual-channel, high-side, current-sense amplifier has V_{OS} of less than $12\mu\text{V}$ (max) and gain error of less than 0.1% (max). The outputs of the MAX40201 are voltage outputs capable of swinging to a few tens of millivolts of the V_{DD} rail and ground.

The MAX40201 features an input common-mode voltage range from 0V to 76V with 80kHz of small-signal bandwidth, which makes it ideal for interfacing with a SAR ADC for multichannel multiplexed data acquisition systems.

The MAX40201 operates over the -40°C to $+125^{\circ}\text{C}$ temperature range. The MAX40201 is offered in 8-bump wafer-level package (WLP) and 8-pin $\mu\text{MAX}^{\text{®}}$ package.

Applications

- Base Stations and Communication Equipment
- Power Management Systems
- Server Backplanes
- Industrial Control and Automation

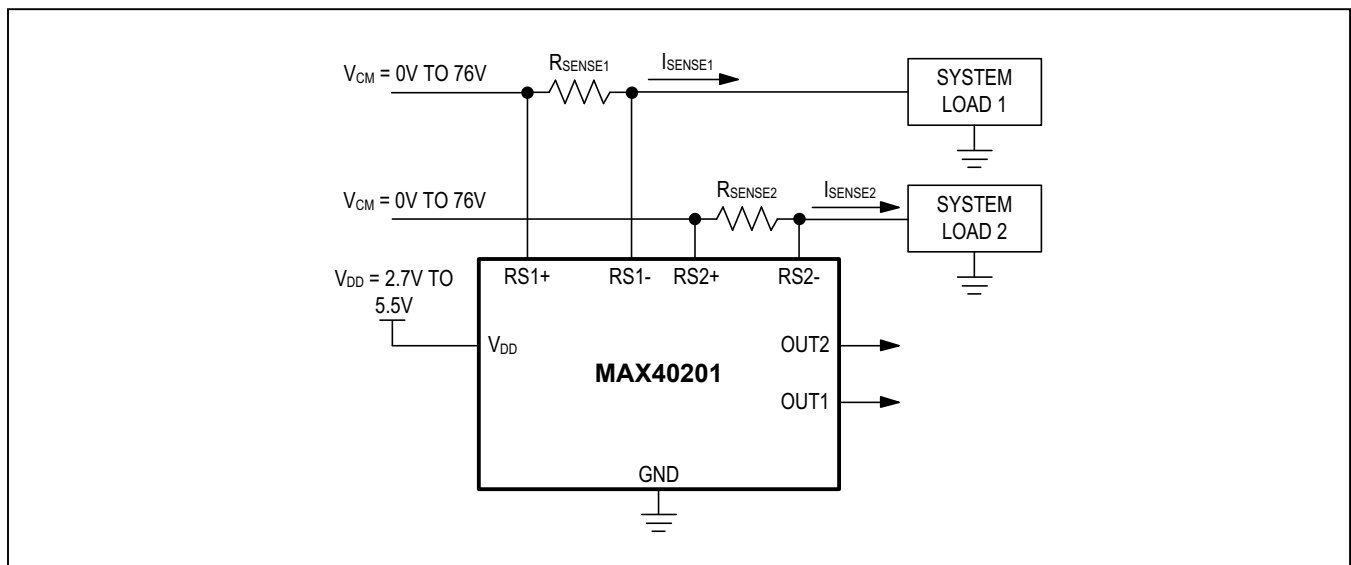
Benefits and Features

- 0V to 76V Input Common Mode
- Low $12\mu\text{V}$ (max) Input Offset Voltage
- Low 0.1% (max) Gain Error
- Gain Options
 - $G = 25\text{V/V}$ (MAX40201T)
 - $G = 50\text{V/V}$ (MAX40201F)
 - $G = 100\text{V/V}$ (MAX40201H)
 - $G = 200\text{V/V}$ (MAX40201W)
- 1.3mm x 2mm 8-Bump WLP and 8-Pin μMAX Packages

Ordering Information appears at end of data sheet.

μMAX is a registered trademark of Maxim Integrated Products, Inc.

Typical Operating Circuit



Absolute Maximum Ratings

| | | | |
|---|----------------|--|-----------------|
| V _{DD} to GND | -0.3V to +6.0V | Operating Temperature Range..... | -40°C to +125°C |
| RS+, RS- to GND | -0.3V to +80V | Junction Temperature..... | +150°C |
| RS+ to RS- | ±30V | Storage Temperature Range..... | -65°C to +150°C |
| Continuous Input Current (Any Pin)..... | ±20mA | Lead Temperature (soldering, 10s)(μMAX only) | +300°C |
| Continuous Power Dissipation (T _A = +70°C) | | Soldering Temperature (reflow)..... | +260°C |
| WLP (derate 13.4mW/°C above +70°C)..... | 1072mW | | |
| μMAX (derate 4.8mW/°C above +70°C)..... | 387.8mW | | |

Stresses beyond those listed under "Absolute Maximum Ratings" may cause permanent damage to the device. These are stress ratings only, and functional operation of the device at these or any other conditions beyond those indicated in the operational sections of the specifications is not implied. Exposure to absolute maximum rating conditions for extended periods may affect device reliability.

Package Thermal Characteristics (Note 1)

| | | | | | |
|-----|---|----------|------|---|-----------|
| WLP | Junction-to-Ambient Thermal Resistance (θ _{JA}) | 74.7°C/W | μMAX | Junction-to-Ambient Thermal Resistance (θ _{JA}) | 206.3°C/W |
| | | | | Junction-to-Case Thermal Resistance (θ _{JC})..... | 42°C/W |

Note 1: Package thermal resistances were obtained using the method described in JEDEC specification JESD51-7, using a four-layer board. For detailed information on package thermal considerations, refer to www.maximintegrated.com/thermal-tutorial.

Electrical Characteristics

(V_{RS+} = V_{RS-} = +50V, V_{DD} = +3.3V, V_{SENSE} = V_{RS+} - V_{RS-} = 1mV, T_A = -40°C to +125°C, unless otherwise noted. Typical values are at T_A = +25°C.) (Note 2)

| PARAMETER | SYMBOL | CONDITIONS | MIN | TYP | MAX | UNITS |
|---|-------------------------------------|--|--|-----|-----|-------|
| DC CHARACTERISTICS | | | | | | |
| Supply Voltage | V _{DD} | Guaranteed by PSRR | 2.7 | | 5.5 | V |
| Supply Current (Both Channels) | I _{DD} | No loads | | 1.3 | 2.1 | mA |
| Power-Supply Rejection Ratio | PSRR | 2.7V ≤ V _{DD} ≤ 5.5V | 110 | | | dB |
| Input Common-Mode Voltage Range | V _{CM} | Guaranteed by CMRR | 0 | | 76 | V |
| Input Bias Current at V _{RS+} and V _{RS-} | I _{RS+} , I _{RS-} | | | | 0.2 | μA |
| Input Offset Current | I _{RS+} - I _{RS-} | | | | 0.2 | μA |
| Input Leakage Current | I _{RS+} , I _{RS-} | V _{DD} = 0V, V _{RS+} = 76V | | | 0.2 | μA |
| Common-Mode Rejection Ratio | CMRR | 0V < V _{RS+} < 76V | 130 | | | dB |
| Input Offset Voltage | V _{OS} | μMAX | T _A = +25°C, 0 < V _{CM} < 76V | | 0.5 | ±12 |
| | | | -40°C ≤ T _A ≤ +125°C, 0 < V _{CM} < 76V | | | ±25 |
| | | WLP | T _A = +25°C, 0 < V _{CM} < 76V | | | ±20 |
| | | | -40°C ≤ T _A ≤ +125°C, 0 < V _{CM} < 76V | | | ±33 |
| Input Offset Voltage Drift | TCV _{OS} | | | | 130 | nV/°C |

Electrical Characteristics (continued)

($V_{RS+} = V_{RS-} = +50V$, $V_{DD} = +3.3V$, $V_{SENSE} = V_{RS+} - V_{RS-} = 1mV$, $T_A = -40^{\circ}C$ to $+125^{\circ}C$, unless otherwise noted. Typical values are at $T_A = +25^{\circ}C$.) (Note 2)

| PARAMETER | SYMBOL | CONDITIONS | MIN | TYP | MAX | UNITS |
|----------------------------------|-------------|---|--|------------------|------|----------------|
| Input Sense Voltage | V_{SENSE} | MAX40201T (G = 25V/V) | | 100 | | mV |
| | | MAX40201F (G = 50V/V) | | 50 | | |
| | | MAX402015H (G = 100V/V) | | 25 | | |
| | | MAX40201W (G = 200V/V) | | 12.5 | | |
| Gain (Note 3) | G | Full-scale $V_{SENSE} = 100mV$ | | 25 | | V/V |
| | | Full-scale $V_{SENSE} = 50mV$ | | 50 | | |
| | | Full-scale $V_{SENSE} = 25mV$ | | 100 | | |
| | | Full-scale $V_{SENSE} = 12.5mV$ | | 200 | | |
| Gain Error | GE | μ MAX | $T_A = +25^{\circ}C$ | | 0.1 | % |
| | | | $-40^{\circ}C \leq T_A \leq +125^{\circ}C$ | | 0.25 | |
| | | WLP | $T_A = +25^{\circ}C$ | | 0.15 | |
| | | | $-40^{\circ}C \leq T_A \leq +125^{\circ}C$ | | 0.3 | |
| Output Resistance | R_{OUT} | $V_{OUT} = V_{DD} / 2$, $I_{OUT} = \pm 500\mu A$ | | 0.1 | | Ω |
| Output Low Voltage | V_{OL} | Sink $500\mu A$ | | | 15 | mV |
| | | No load | | | 4 | |
| Output High Voltage | V_{OH} | Source $500\mu A$ | | $V_{DD} - 0.015$ | | V |
| AC CHARACTERISTICS | | | | | | |
| Signal Bandwidth | BW -3dB | All gain configurations $V_{SENSE} > 5mV$ | | 80 | | kHz |
| AC Power-Supply Rejection Ratio | AC PSRR | $f = 200kHz$ | | 40 | | dB |
| AC CMRR | AC CMRR | $f = 200kHz$, 100mV sine wave | | 47 | | dB |
| Capacitive Load Stability | C_{LOAD} | With 250Ω isolation resistor | | 20 | | nF |
| | | Without any isolation resistor | | 200 | | pF |
| Input Voltage-Noise Density | e_n | $f = 1kHz$ | | 95 | | nV/\sqrt{Hz} |
| Power-Up Time (Note 4) | | | | 500 | | μs |
| Settling Time (Settling to 0.1%) | | V_{SENSE} steps from 20% FS to 80% FS ($t_R = t_F = 5\mu s$), $V_{CM} = 24V$, $C_L = 20pF$ | | 20 | | μs |

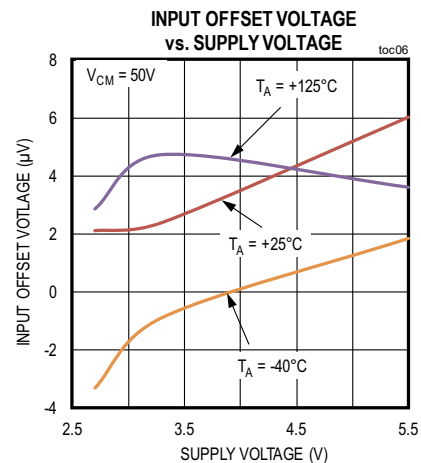
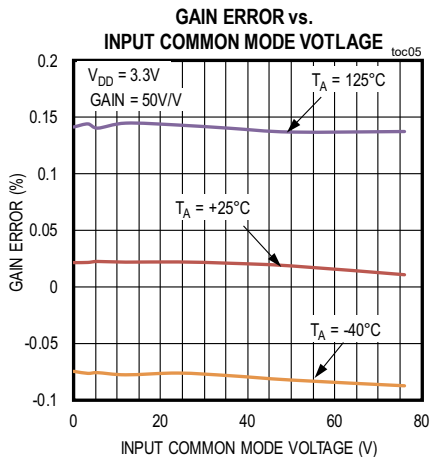
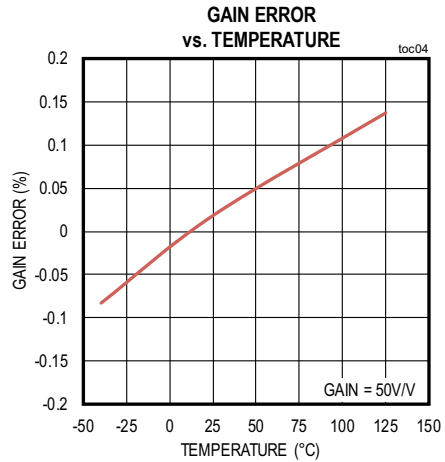
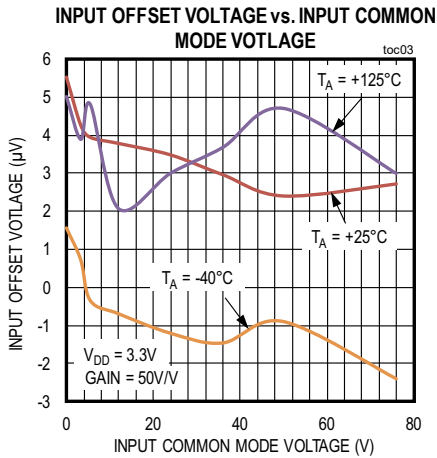
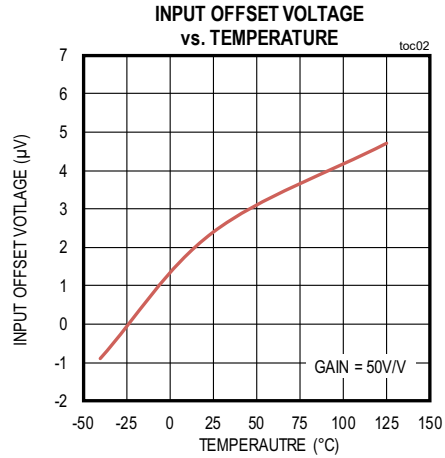
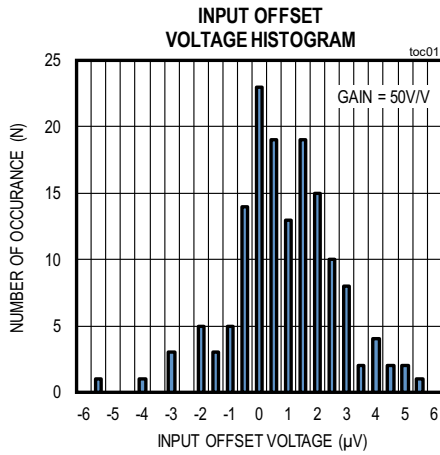
Note 2: All devices are 100% production tested at $T_A = +25^{\circ}C$. All temperature limits are guaranteed by design.

Note 3: Gain and offset voltage are calculated based on two point measurements: V_{SENSE1} and V_{SENSE2} .
 $V_{SENSE1} = 20\% \times \text{Full Scale } V_{SENSE}$. $V_{SENSE2} = 80\% \times \text{Full Scale } V_{SENSE}$.

Note 4: Output is high-Z during power-up.

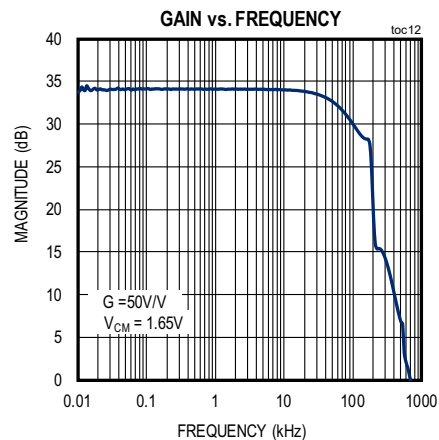
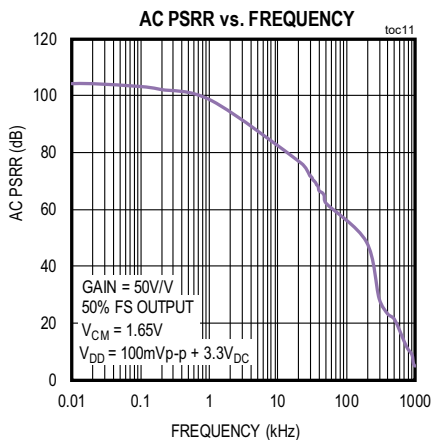
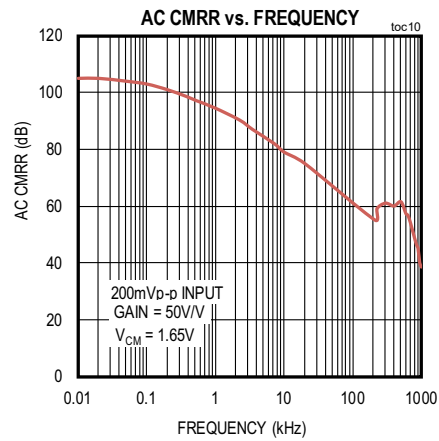
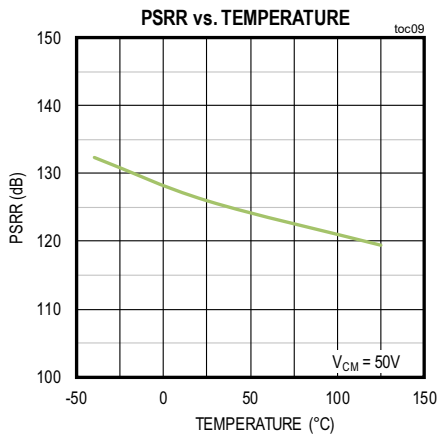
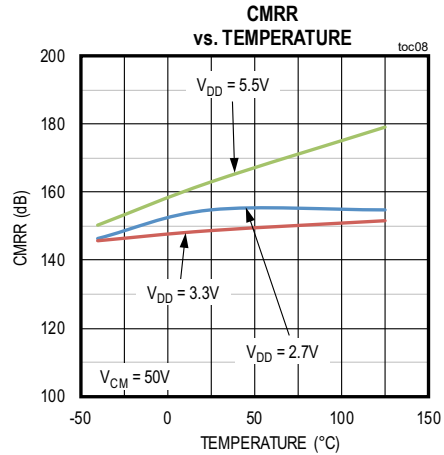
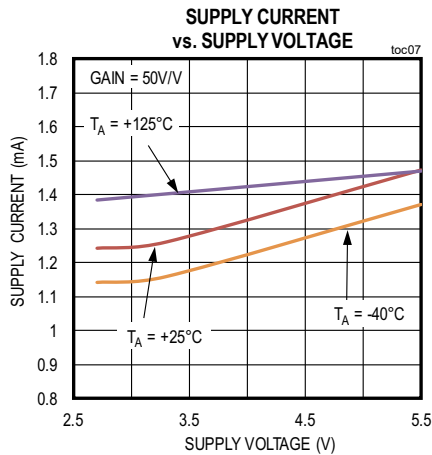
Typical Operating Characteristics

($V_{DD} = 3.3V$, $V_{RS+} = V_{RS-} = 50V$, $V_{SENSE-} = V_{RS+} - V_{RS-} = 1mV$, $T_A = 25^{\circ}C$, unless otherwise noted.)



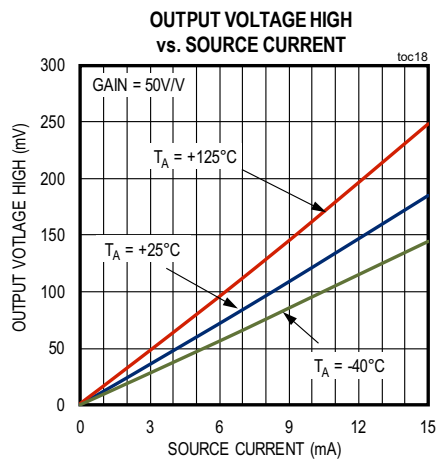
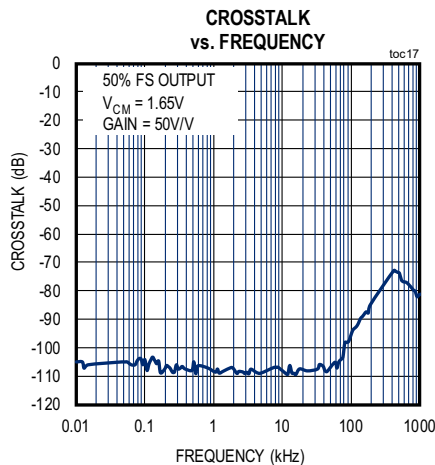
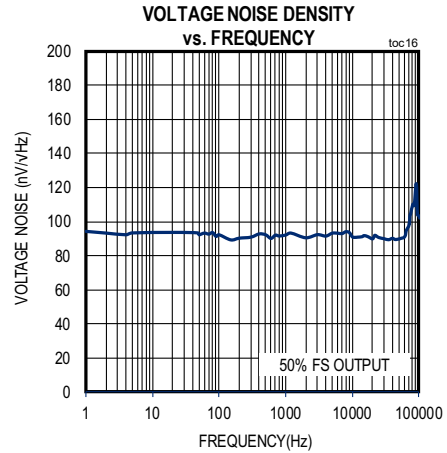
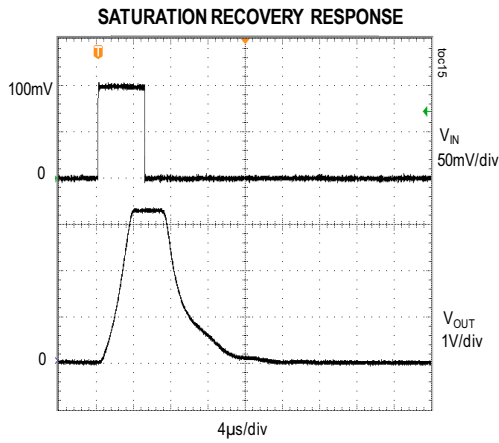
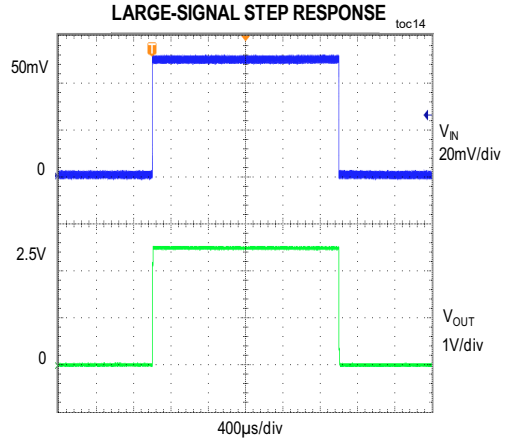
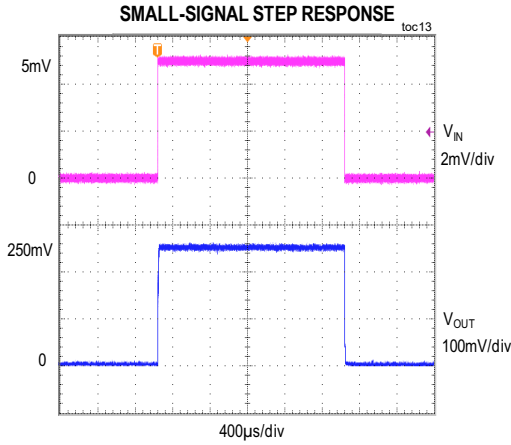
Typical Operating Characteristics (continued)

($V_{DD} = 3.3V$, $V_{RS+} = V_{RS-} = 50V$, $V_{SENSE-} = V_{RS+} - V_{RS-} = 1mV$, $T_A = 25^{\circ}C$, unless otherwise noted.)



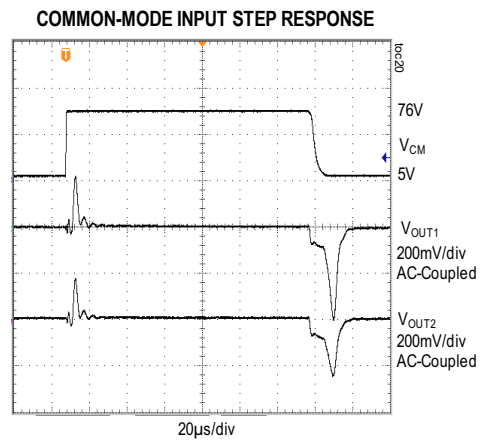
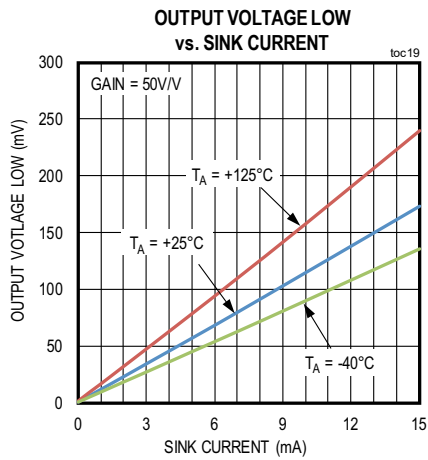
Typical Operating Characteristics (continued)

($V_{DD} = 3.3V$, $V_{RS+} = V_{RS-} = 50V$, $V_{SENSE-} = V_{RS+} - V_{RS-} = 1mV$, $T_A = 25^{\circ}C$, unless otherwise noted.)

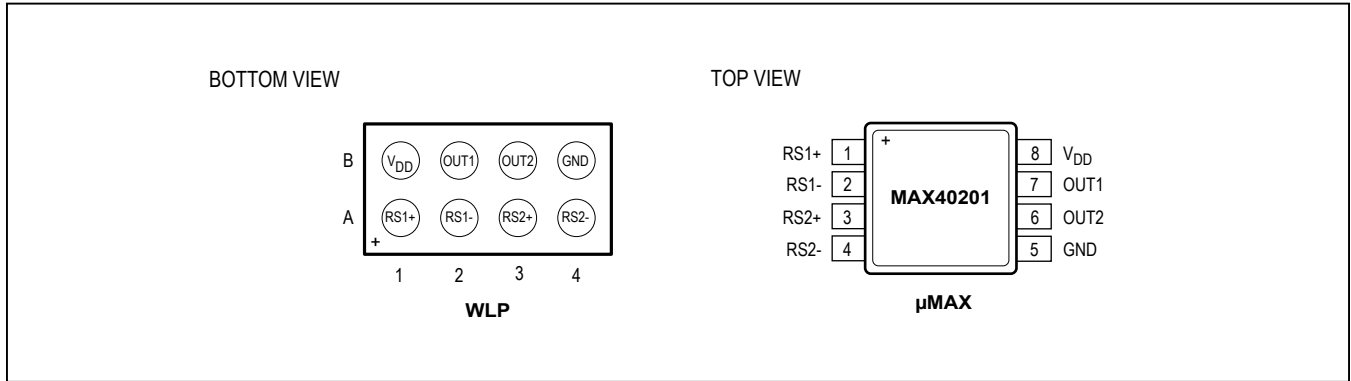


Typical Operating Characteristics (continued)

($V_{DD} = 3.3V$, $V_{RS+} = V_{RS-} = 50V$, $V_{SENSE-} = V_{RS+} - V_{RS-} = 1mV$, $T_A = 25^{\circ}C$, unless otherwise noted.)



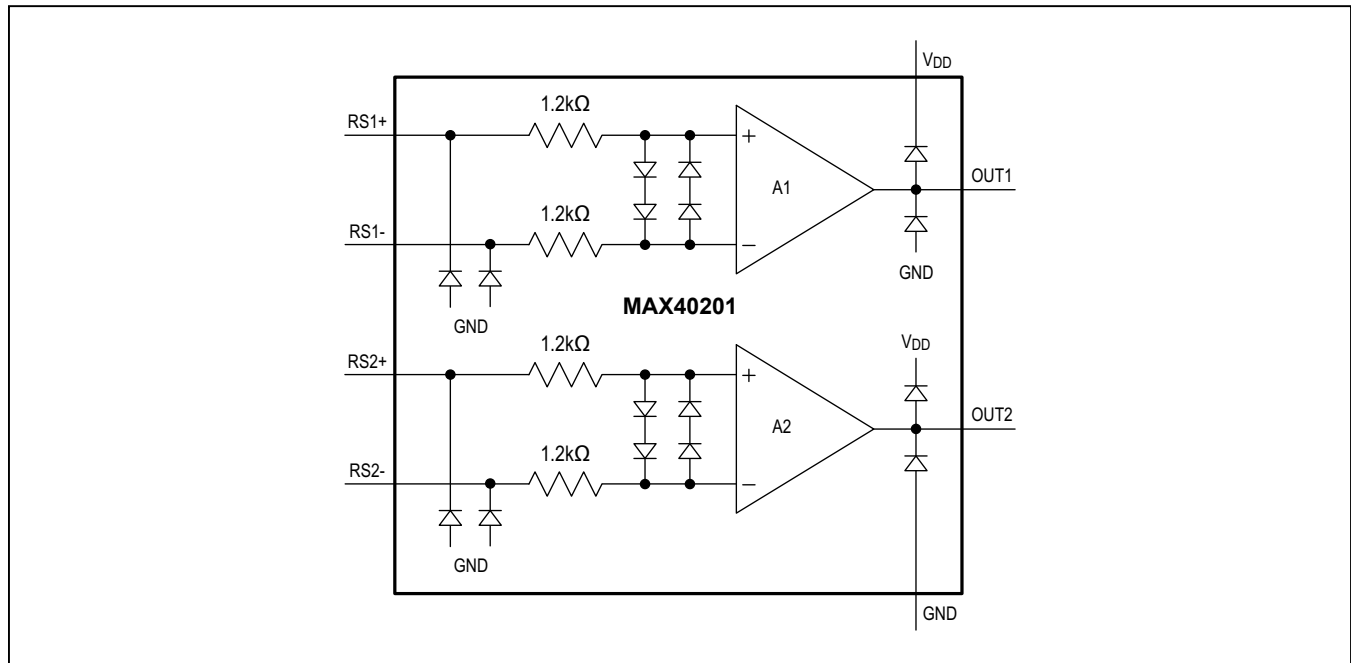
Pin Configuration



Pin Description

| PIN | | NAME | FUNCTION |
|-----|------|-----------------|---|
| WLP | µMAX | | |
| A1 | 1 | RS1+ | Channel 1 External Resistor Power-Side Connection |
| A2 | 2 | RS1- | Channel 1 External Resistor Load-Side Connection |
| A3 | 3 | RS2+ | Channel 2 External Resistor Power-Side Connection |
| A4 | 4 | RS2- | Channel 2 External Resistor Load-Side Connection |
| B1 | 8 | V _{DD} | Supply Voltage |
| B2 | 7 | OUT1 | Output Channel 1 |
| B3 | 6 | OUT2 | Output Channel 2 |
| B4 | 5 | GND | Ground |

Simplified Functional Diagram



Detailed Description

The MAX40201 high-side, current-sense amplifier features a 0V to 76V input common-mode range that is independent of supply voltage. This feature allows the monitoring of current out of a battery as low as 2.7V and enables high-side current sensing at voltages greater than the supply voltage (V_{DD}). The MAX40201 monitors current through a current-sense resistor and amplifies the voltage across the resistor.

High-side current monitoring does not interfere with the ground path of the load being measured, making the MAX40201 particularly useful in a wide range of high-voltage systems.

Applications Information

Recommended Component Values

Ideally, the maximum load current develops the full-scale sense voltage across the current-sense resistor. Choose the gain needed to yield the maximum output voltage required for the application:

$$V_{OUT} = V_{SENSE} \times A_V$$

where V_{SENSE} is the full-scale sense voltage, 100mV for gain of 25V/V, 50mV for gain of 50V/V, 25mV for gain of 100V/V, 12.5mV for gain of 200V/V, and A_V is the gain of the device.

In applications monitoring a high current, ensure that R_{SENSE} is able to dissipate its own I^2R loss. If the resistor's power dissipation exceeds the nominal value, its value may drift or it may fail altogether. The MAX40201 senses a wide variety of currents with different sense-resistor values.

Choosing the Sense Resistor

Choose R_{SENSE} based on the following criteria:

Voltage Loss: A high R_{SENSE} value causes the power-source voltage to degrade through IR loss. For minimal voltage loss, use the lowest R_{SENSE} value.

Accuracy: A high R_{SENSE} value allows lower currents measured more accurately. This is due to offsets becoming less significant when the sense voltage is larger. For best performance, select R_{SENSE} to provide approximately 100mV (gain of 25V/V), 50mV (gain of 50V/V), or 25mV (gain of 100V/V), 12.5mV (gain of 200V/V) of sense voltage for the full-scale current in each application.

Efficiency and Power Dissipation: At high current levels, the I^2R losses in R_{SENSE} can be significant. Consider this when choosing the resistor value and its power dissipation (wattage) rating. In addition, the sense resistor's value might drift if it heats up excessively.

Inductance: Keep inductance low if I_{SENSE} has a large high-frequency component. Wire-wound resistors have the highest inductance, while metal film is somewhat better. Low-inductance, metal-film resistors are also available. Instead of being spiral wrapped around a core, as in metal-film or wire wound resistors, they are a straight band of metal and are available in values under 1Ω .

Take care to eliminate parasitic trace resistance from causing errors in the sense voltage because of the high currents that flow through R_{SENSE} . Either use a four terminal current-sense resistor or use Kelvin (force and sense) PCB layout techniques.

Power-Supply Bypassing

Power-supply bypass capacitors are recommended for best performance and should be placed as close as possible to the supply and ground terminals of the device. A typical value for this supply bypass capacitor is $0.1\mu F$

(NP0/C0G type) close to the V_{DD}/GND bumps. The capacitors should be rated for at least twice the maximum expected applied voltage. Applications with noisy or high-impedance power supplies may require additional decoupling capacitors to reject power-supply noise.

Base Station Application Circuit

An example of a typical application (Figure 1) of this high-voltage, high-precision current-sense amplifier is in base-station systems where there is a need to monitor the current flowing in the power amplifier. Such amplifiers, depending on the technology, can be biased up to 50V or 60V thus requiring a current-sense amplifier like the MAX40201 with high-voltage common mode. The very low input offset voltage of the MAX40201 minimizes the value of the external sense resistor thus resulting in system power-saving.

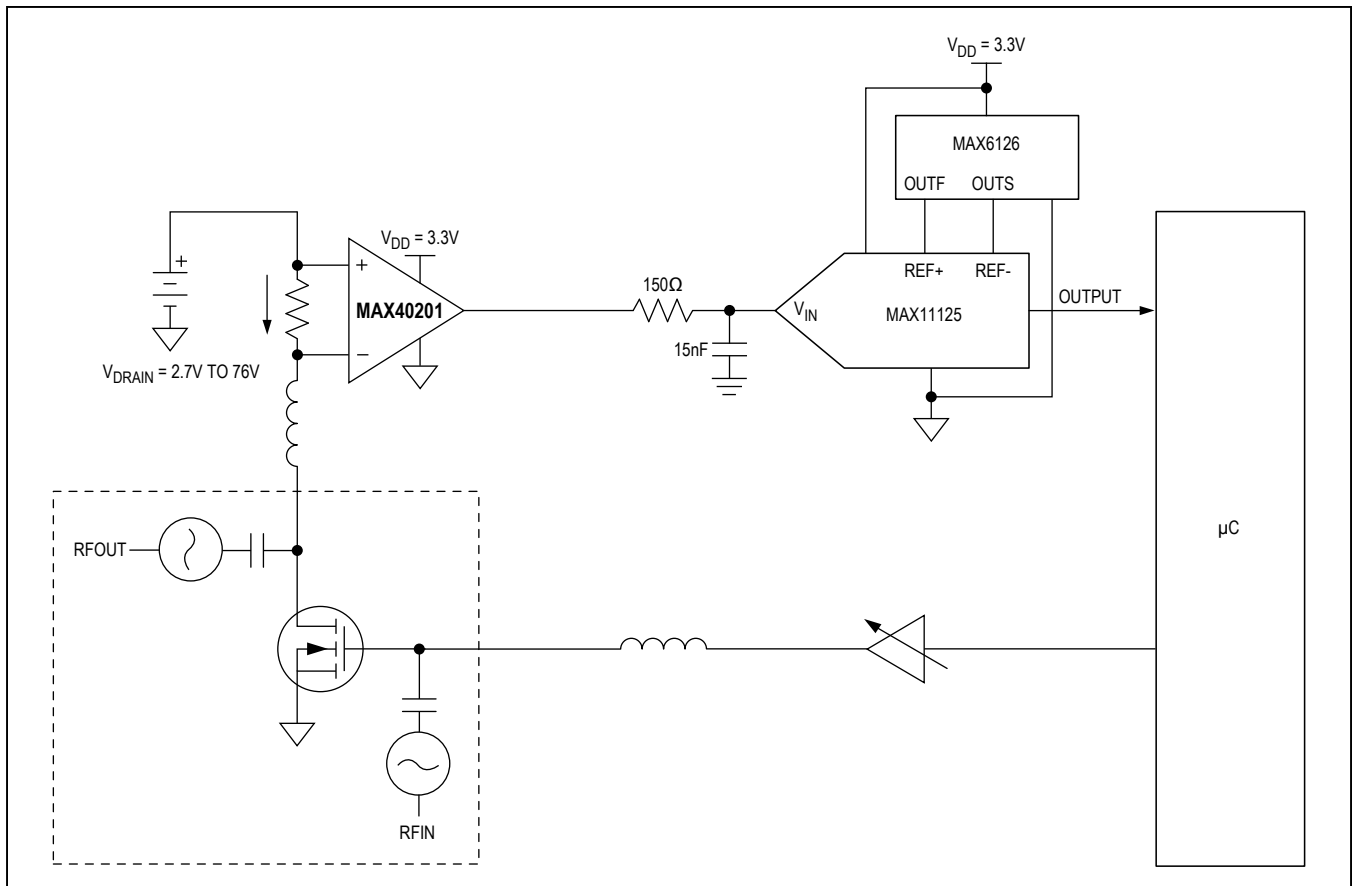


Figure 1. MAX40201 Used in Base-Station Application

Ordering Information

| PART | GAIN (V/V) | TEMP RANGE | PIN-PACKAGE | TOP MARK |
|----------------|------------|-----------------|-------------|----------|
| MAX40201TAWA+* | 25 | -40°C to +125°C | 8 WLP | +AAK |
| MAX40201TAUA+* | 25 | -40°C to +125°C | 8 μ MAX | — |
| MAX40201FAWA+* | 50 | -40°C to +125°C | 8 WLP | +AAL |
| MAX40201FAUA+ | 50 | -40°C to +125°C | 8 μ MAX | — |
| MAX40201HAWA+* | 100 | -40°C to +125°C | 8 WLP | +AAM |
| MAX40201HAUA+* | 100 | -40°C to +125°C | 8 μ MAX | — |
| MAX40201WAWA+ | 200 | -40°C to +125°C | 8 WLP | +AAN |
| MAX40201WAUA+* | 200 | -40°C to +125°C | 8 μ MAX | — |

+Denotes a lead(Pb)-free/RoHS-compliant package.

*Future Product—Contact factory for availability.

Chip Information

PROCESS: BiCMOS

Package Information

For the latest package outline information and land patterns (footprints), go to www.maximintegrated.com/packages. Note that a "+", "#", or "-" in the package code indicates RoHS status only. Package drawings may show a different suffix character, but the drawing pertains to the package regardless of RoHS status.

| PACKAGE TYPE | PACKAGE CODE | OUTLINE NO. | LAND PATTERN NO. |
|--------------|--------------|---------------------------|---|
| 8 WLP | W81A1+1 | 21-100147 | Refer to Application Note 1891 |
| 8 μ MAX | U8-1 | 21-0036 | 90-0092 |

Revision History

| REVISION NUMBER | REVISION DATE | DESCRIPTION | PAGES CHANGED |
|-----------------|---------------|--|---------------|
| 0 | 5/17 | Initial release | — |
| 1 | 9/17 | Adjusted CMRR specification in <i>Electrical Characteristics</i> table and removed future product asterisk from MAX40201FAWA+ in <i>Ordering Information</i> table | 2, 11 |
| 2 | 1/18 | Updated <i>Ordering Information</i> table | 11 |
| 3 | 3/18 | Updated <i>Electrical Characteristics</i> table | 2, 3 |
| 4 | 3/18 | Updated <i>Ordering Information</i> table | 11 |

For pricing, delivery, and ordering information, please contact Maxim Direct at 1-888-629-4642, or visit Maxim Integrated's website at www.maximintegrated.com.

Maxim Integrated cannot assume responsibility for use of any circuitry other than circuitry entirely embodied in a Maxim Integrated product. No circuit patent licenses are implied. Maxim Integrated reserves the right to change the circuitry and specifications without notice at any time. The parametric values (min and max limits) shown in the *Electrical Characteristics* table are guaranteed. Other parametric values quoted in this data sheet are provided for guidance.

Компания «Life Electronics» занимается поставками электронных компонентов импортного и отечественного производства от производителей и со складов крупных дистрибьюторов Европы, Америки и Азии.

С конца 2013 года компания активно расширяет линейку поставок компонентов по направлению коаксиальный кабель, кварцевые генераторы и конденсаторы (керамические, пленочные, электролитические), за счёт заключения дистрибьюторских договоров

Мы предлагаем:

- Конкурентоспособные цены и скидки постоянным клиентам.
- Специальные условия для постоянных клиентов.
- Подбор аналогов.
- Поставку компонентов в любых объемах, удовлетворяющих вашим потребностям.
- Приемлемые сроки поставки, возможна ускоренная поставка.
- Доставку товара в любую точку России и стран СНГ.
- Комплексную поставку.
- Работу по проектам и поставку образцов.
- Формирование склада под заказчика.
- Сертификаты соответствия на поставляемую продукцию (по желанию клиента).
- Тестирование поставляемой продукции.
- Поставку компонентов, требующих военную и космическую приемку.
- Входной контроль качества.
- Наличие сертификата ISO.

В составе нашей компании организован Конструкторский отдел, призванный помогать разработчикам, и инженерам.

Конструкторский отдел помогает осуществить:

- Регистрацию проекта у производителя компонентов.
- Техническую поддержку проекта.
- Защиту от снятия компонента с производства.
- Оценку стоимости проекта по компонентам.
- Изготовление тестовой платы монтаж и пусконаладочные работы.



Тел: +7 (812) 336 43 04 (многоканальный)

Email: org@lifeelectronics.ru