

**PLEASE CHECK WWW.MOLEX.COM FOR LATEST PART INFORMATION**

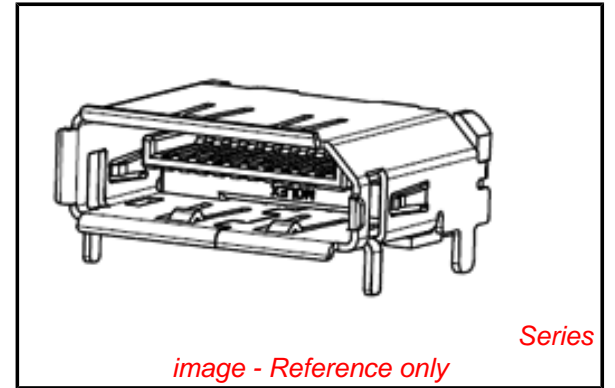
**Part Number:** [1050190001](#)  
**Status:** **Active**  
**Overview:** [displayport](#)  
**Description:** 0.50mm (.020") Pitch DisplayPort\* Male Receptacle, Right Angle, SMT, Reverse Type, 0.76µm (30µ") Gold (Au) Plating, 20 Circuits, without Peg,Leadfree

**Documents:**

[3D Model](#) [Product Specification PS-47272-001 \(PDF\)](#)  
[Drawing \(PDF\)](#) [RoHS Certificate of Compliance \(PDF\)](#)

**General**

|                                |                                |
|--------------------------------|--------------------------------|
| Product Family                 | I/O Connectors                 |
| Series                         | <a href="#">105019</a>         |
| Application                    | Wire-to-Board                  |
| Comments                       | Without Post                   |
| Component Type                 | Receptacle                     |
| Overview                       | <a href="#">displayport</a>    |
| Product Name                   | DisplayPort*                   |
| Type                           | N/A                            |
| <b>Physical</b>                |                                |
| Boot Color                     | N/A                            |
| Circuits (Loaded)              | 20                             |
| Circuits (maximum)             | 20                             |
| Color - Resin                  | Black                          |
| Durability (mating cycles max) | 10,000                         |
| Gender                         | Male                           |
| Keying to Mating Part          | Yes                            |
| Lock to Mating Part            | Yes                            |
| Material - Metal               | Copper Alloy                   |
| Material - Plating Mating      | Gold                           |
| Material - Plating Termination | Tin-Bismuth                    |
| Material - Resin               | High Temperature Thermoplastic |
| Number of Rows                 | 2                              |
| Orientation                    | Right Angle                    |
| PCB Locator                    | No                             |
| PCB Retention                  | Yes                            |
| PCB Thickness Recommended (in) | 0.063 In                       |
| PCB Thickness Recommended (mm) | 1.60 mm                        |
| Packaging Type                 | Embossed Tape on Reel          |
| Panel Mount                    | Yes                            |
| Pitch - Mating Interface (in)  | 0.039 In                       |
| Pitch - Mating Interface (mm)  | 0.50 mm                        |
| Pitch - Term. Interface (in)   | 0.039 In                       |
| Pitch - Term. Interface (mm)   | 0.50 mm                        |
| Plating min: Mating (µin)      | 30                             |
| Plating min: Mating (µm)       | 0.76                           |
| Plating min: Termination (µin) | 40                             |
| Plating min: Termination (µm)  | 1                              |
| Polarized to Mating Part       | Yes                            |
| Polarized to PCB               | Yes                            |
| Ports                          | 1                              |
| Temperature Range - Operating  | -20°C to +85°C                 |
| Termination Interface: Style   | Surface Mount                  |
| Waterproof / Dustproof         | No                             |



**EU RoHS**

**ELV and RoHS  
Compliant**  
**REACH SVHC  
Contains SVHC: No**  
**Halogen-Free  
Status**

**China RoHS**



**Need more information on product  
environmental compliance?**

Email [productcompliance@molex.com](mailto:productcompliance@molex.com)  
 For a multiple part number RoHS Certificate of Compliance, [click here](#)

Please visit the [Contact Us](#) section for any non-product compliance questions.

**Search Parts in this Series**  
[105019Series](#)

## Electrical

|                               |             |
|-------------------------------|-------------|
| Current - Maximum per Contact | 0.5A        |
| Grounding to Panel            | Yes         |
| Shield Type                   | Full Shield |
| Shielded                      | Yes         |
| Voltage - Maximum             | 40V AC      |

## Solder Process Data

|                                                |                           |
|------------------------------------------------|---------------------------|
| Duration at Max. Process Temperature (seconds) | 10                        |
| Lead-free Process Capability                   | Reflow Capable (SMT only) |
| Max. Cycles at Max. Process Temperature        | 1                         |
| Process Temperature max. C                     | 250                       |

## Material Info

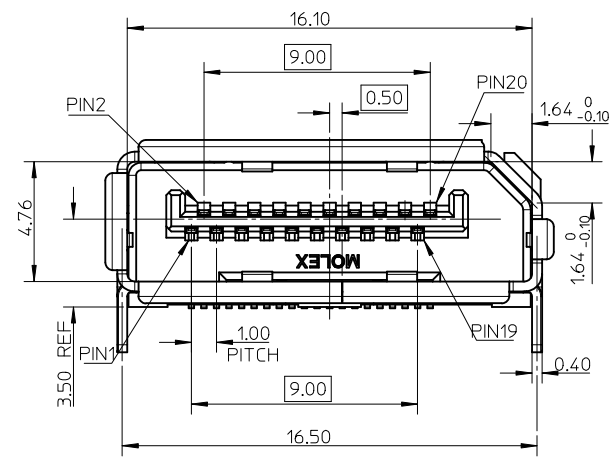
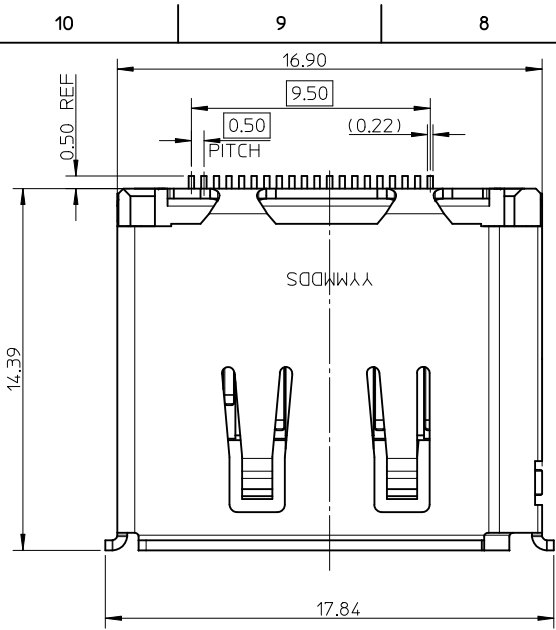
### Reference - Drawing Numbers

|                         |               |
|-------------------------|---------------|
| Packaging Specification | PK-105019-001 |
| Product Specification   | PS-47272-001  |
| Sales Drawing           | SD-105019-001 |
| Test Summary            | TS-105019-001 |

\* DisplayPort is a Trademark of VESA

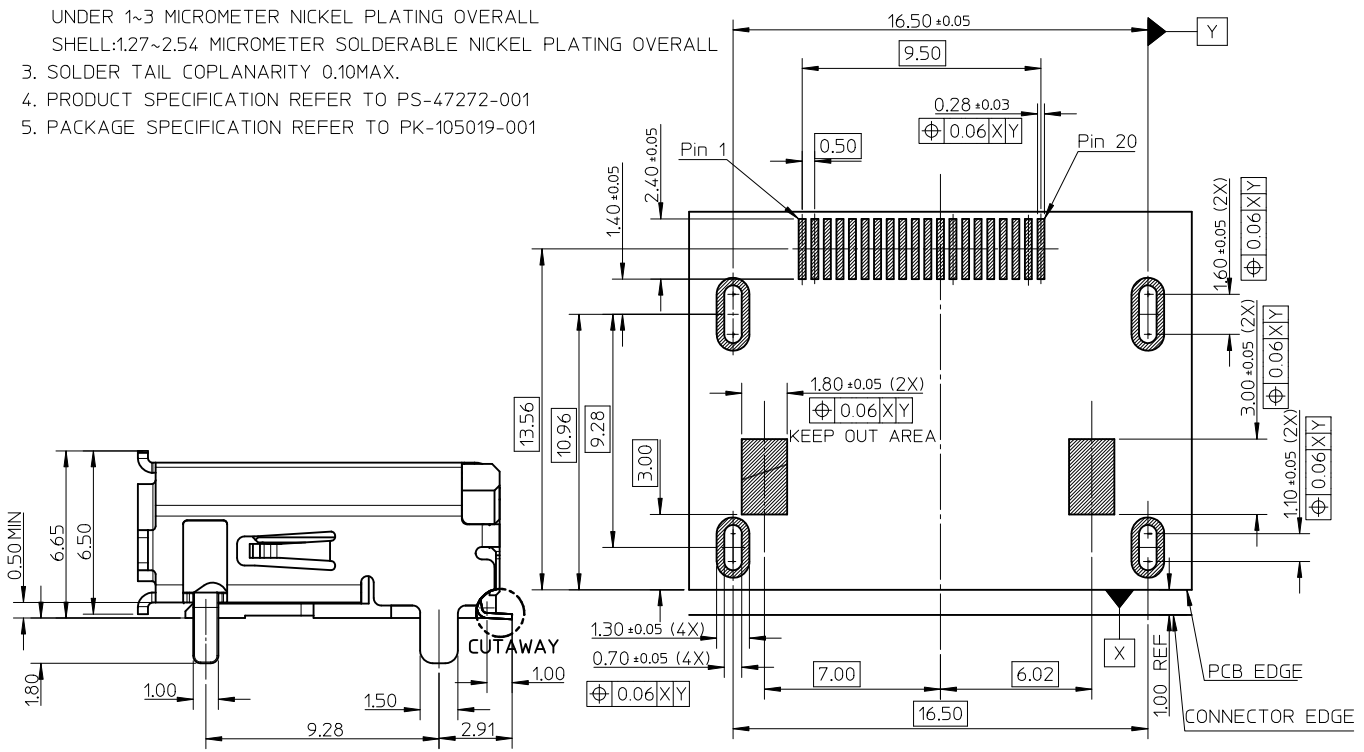
This document was generated on 05/31/2010

**PLEASE CHECK [WWW.MOLEX.COM](http://WWW.MOLEX.COM) FOR LATEST PART INFORMATION**

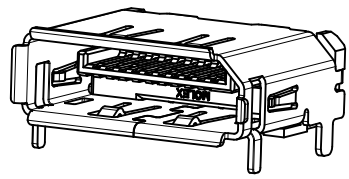


NOTES:

- MATERIAL:
  - HOUSING:HIGH TEMPERATURE THERMAL PLASTIC,BLACK,30 GLASS FILLED, UL94V-0.
  - TERMINAL:COPPER ALLOY.
  - SHELL:0.4MM THICKNESS COPPER ALLOY.
- PLATING:
  - TERMINAL:CONTACT AREA : (1)0.76MICROMETER GOLD PLATING
  - (2)GOLD FLASH PLATING
  - AND SOLDER TAIL(a) 1~3MICROMETER TIN BISMUTH UNDER PLATING
  - (b)GOLD FLSAH PLATING
  - UNDER 1~3 MICROMETER NICKEL PLATING OVERALL
  - SHELL:1.27~2.54 MICROMETER SOLDERABLE NICKEL PLATING OVERALL
- SOLDER TAIL COPLANARITY 0.10MAX.
- PRODUCT SPECIFICATION REFER TO PS-47272-001
- PACKAGE SPECIFICATION REFER TO PK-105019-001



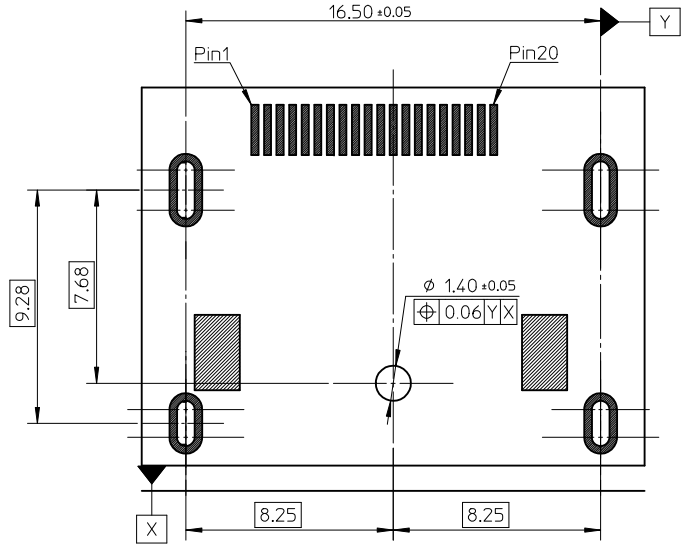
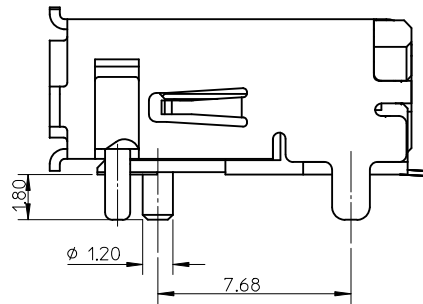
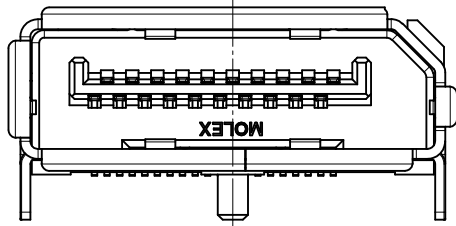
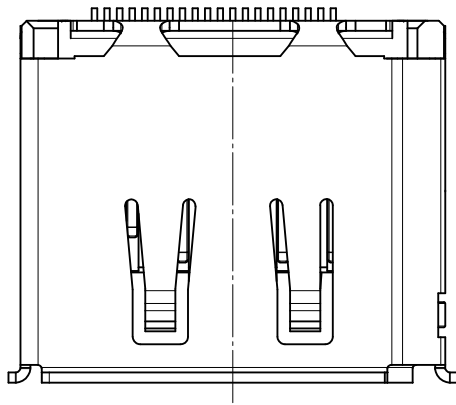
RECOMMENDED PCB LAYOUT (THICKNESS=1.6±0.15)



|                                                                                                                     |                     |                                                      |                      |                                   |                      |                               |                        |                                                                                 |                            |
|---------------------------------------------------------------------------------------------------------------------|---------------------|------------------------------------------------------|----------------------|-----------------------------------|----------------------|-------------------------------|------------------------|---------------------------------------------------------------------------------|----------------------------|
| <b>NEW RELEASE</b><br>EC NO: SH2010-0188<br>DRW:HHH 2009/12/09<br>CHK:DFYANG05 2009/12/09<br>APPR:RZHANG 2009/12/29 | QUALITY SYMBOLS<br> | GENERAL TOLERANCES (UNLESS SPECIFIED)                |                      | DIMENSION STYLE<br><b>MM ONLY</b> | SCALE<br><b>5:1</b>  | DESIGN UNITS<br><b>METRIC</b> | THIRD ANGLE PROJECTION |                                                                                 |                            |
|                                                                                                                     |                     | 4 PLACES ± --- ± ---                                 | 3 PLACES ± --- ± --- | 2 PLACES ± 0.25 ± ---             | 1 PLACE ± 0.25 ± --- | DRAWN BY<br>HHE               | DATE<br>2007/05/12     | TITLE<br><b>1.0MM PITCH DISPLAY PORT REVERSE TYPE R/A RECEPTACLE-LEAD FREE-</b> |                            |
|                                                                                                                     |                     | ANGULAR ± 2 °                                        |                      |                                   |                      | CHECKED BY<br>HWWANG          | DATE<br>2007/05/12     | <b>MOLEX INCORPORATED</b>                                                       |                            |
|                                                                                                                     |                     | DRAFT WHERE APPLICABLE MUST REMAIN WITHIN DIMENSIONS |                      |                                   |                      | APPROVED BY<br>JNCHEN         | DATE<br>2007/05/12     | DOCUMENT NO.<br><b>SD-105019-001</b>                                            | SHEET NO.<br><b>1 OF 2</b> |

10 9 8 7 6 5 4 3 2 1

| P/N         | POST    | PLATING ON CONTACT AREA | PLATING ON SOLDEING TAIL |
|-------------|---------|-------------------------|--------------------------|
| 105019-0001 | WITHOUT | SEE NOTE 2(1)           | SEE NOTE 2(a)            |
| 105019-0002 | WITH    | SEE NOTE 2(1)           | SEE NOTE 2(a)            |
| 105019-0005 | WITHOUT | SEE NOTE 2(2)           | SEE NOTE 2(a)            |
| 105019-0006 | WITH    | SEE NOTE 2(2)           | SEE NOTE 2(a)            |
| 105019-0007 | WITHOUT | SEE NOTE 2(1)           | SEE NOTE 2(b)            |



WITH POST

NOTES:  
1. UNSPECIFIED DIMENSION ARE SAME AS SHEET1

|                                                                              |                                        |                               |                                                                                               |                                                        |                            |                    |                                                                          |                        |                        |  |  |  |
|------------------------------------------------------------------------------|----------------------------------------|-------------------------------|-----------------------------------------------------------------------------------------------|--------------------------------------------------------|----------------------------|--------------------|--------------------------------------------------------------------------|------------------------|------------------------|--|--|--|
| NEW RELEASE<br>EC NO: SH2010-0188<br>DRWN:HHE<br>CHKD:FYANG05<br>APPR:RZHANG | 2009/12/09<br>2009/12/09<br>2009/12/29 | QUALITY SYMBOLS<br>▽=0<br>◻=0 | GENERAL TOLERANCES (UNLESS SPECIFIED)                                                         |                                                        | DIMENSION STYLE<br>MM ONLY |                    | SCALE<br>5:1                                                             | DESIGN UNITS<br>METRIC | THIRD ANGLE PROJECTION |  |  |  |
|                                                                              |                                        |                               | 4 PLACES ± --- ± ---<br>3 PLACES ± --- ± ---<br>2 PLACES ± 0.25 ± ---<br>1 PLACE ± 0.25 ± --- | mm INCH<br>± --- ± ---<br>± 0.25 ± ---<br>± 0.25 ± --- | DRAWN BY<br>HHE            | DATE<br>2007/05/12 | TITLE<br>1.0MM PITCH DISPLAY PORT REVERSE TYPE R/A RECEPTACLE-LEAD FREE- |                        |                        |  |  |  |
|                                                                              |                                        |                               | ANGULAR ± 2 °                                                                                 |                                                        | CHECKED BY<br>HWWANG       | DATE<br>2007/05/12 | MOLEX INCORPORATED                                                       |                        |                        |  |  |  |
|                                                                              |                                        |                               | DRAFT WHERE APPLICABLE MUST REMAIN WITHIN DIMENSIONS                                          |                                                        | APPROVED BY<br>JNCHEN      | DATE<br>2007/05/12 | DOCUMENT NO.<br>SD-105019-001                                            |                        | SHEET NO.<br>2 OF 2    |  |  |  |

9 8 7 6 5 4 3 2 1

Компания «Life Electronics» занимается поставками электронных компонентов импортного и отечественного производства от производителей и со складов крупных дистрибьюторов Европы, Америки и Азии.

С конца 2013 года компания активно расширяет линейку поставок компонентов по направлению коаксиальный кабель, кварцевые генераторы и конденсаторы (керамические, пленочные, электролитические), за счёт заключения дистрибьюторских договоров

Мы предлагаем:

- Конкурентоспособные цены и скидки постоянным клиентам.
- Специальные условия для постоянных клиентов.
- Подбор аналогов.
- Поставку компонентов в любых объемах, удовлетворяющих вашим потребностям.
- Приемлемые сроки поставки, возможна ускоренная поставка.
- Доставку товара в любую точку России и стран СНГ.
- Комплексную поставку.
- Работу по проектам и поставку образцов.
- Формирование склада под заказчика.
- Сертификаты соответствия на поставляемую продукцию (по желанию клиента).
- Тестирование поставляемой продукции.
- Поставку компонентов, требующих военную и космическую приемку.
- Входной контроль качества.
- Наличие сертификата ISO.

В составе нашей компании организован Конструкторский отдел, призванный помогать разработчикам, и инженерам.

Конструкторский отдел помогает осуществить:

- Регистрацию проекта у производителя компонентов.
- Техническую поддержку проекта.
- Защиту от снятия компонента с производства.
- Оценку стоимости проекта по компонентам.
- Изготовление тестовой платы монтаж и пусконаладочные работы.



Тел: +7 (812) 336 43 04 (многоканальный)

Email: [org@lifeelectronics.ru](mailto:org@lifeelectronics.ru)