

D-SUBMINIATURE (D-SUB) ACCESSORIES

WIDE RANGE OF ACCESSORIES FOR SECURE CONNECTION

Amphenol FCI's D-Subminiature (D-Sub) connectors are part of industry standard and are one of the most popular Input/Output interconnects, addressing a wide variety of applications including telecommunications, industrial and medical.

- Prevents accidental mismatching
- Hoods available in 9 to 50 positions for different connector pin configurations
- Metal hoods available in straight and angled terminations for EMI/RFI shielding
- Dust caps available in metal and plastic versions
- Locking screws comes with UNC 4-40 and M3 thread options



TARGET MARKETS



FEATURES

- Hoods available in plastic, metalized and metallic form with locking screws
- Hoods available in 9 to 50 positions
- Metal hoods available in straight and angled terminations
- Hoods available with cable clamps and jackscrews
- Hoods available in different orientations and locking options
- Range includes different locking devices like screw locks and lever locks
- Screws available in both UNC 4-40 and M3 thread options
- Metal and plastic dust caps

BENEFITS

- Supports cable connection and prevents risks of pulling up and accidental mismatching
- Suitable for different connector pin configurations including high density series
- Suitable for EMI/RFI shielding
- Assures secure connection with required strain relief
- Supports various customization need
- Ensures secure and reliable connection
- Ensures connector intermateability
- Safeguards connector from dust and dirt when kept in unmated condition



D-SUBMINIATURE (D-SUB) ACCESSORIES

TECHNICAL INFORMATION

TARGET MARKETS/APPLICATIONS



Asymmetric Digital Subscriber Line (ADSL)
Base Station
Switching
Transmission



Set-top Box



Desktop and Laptop
Storage System
Router and Server



Automotive Diagnostics
Control Drives
Energy Meter
Gaming Machine
Test Equipment
Office Automation
POS & Handheld terminal
Power Supplies
Parking Meter
Printer and Copier
Renewable Energy
Robotics
Surveillance Camera
Avionics



Medical Instrument



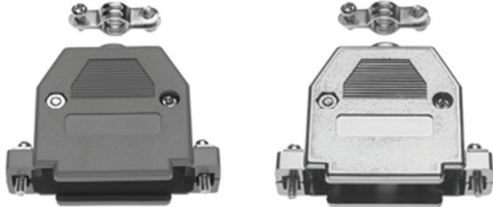
Military Equipment

Disclaimer

► D-SUBMINIATURE (D-SUB) ACCESSORIES

D-SUB – HOODS

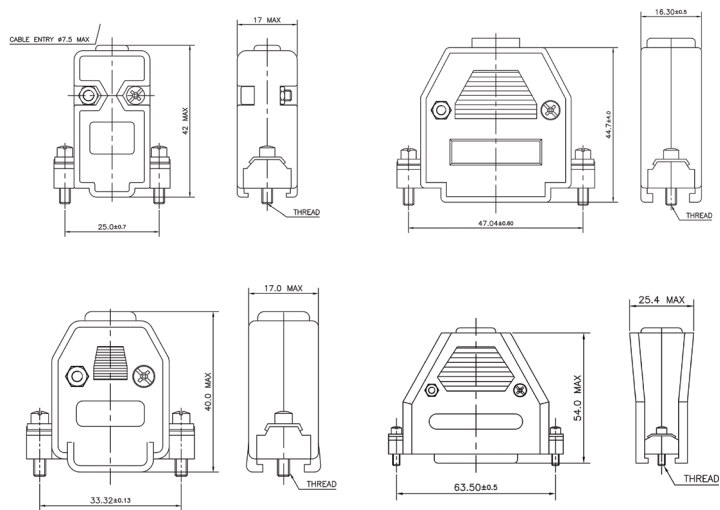
1 • STRAIGHT EXIT PLASTIC AND METALIZED HOOD WITH INTEGRATED LOCKING – ECONOMICAL SERIES



- Material: Self extinguishing UL 94 HB Thermoplastic
- Color: Grey/Metalized
- Temperature Range: -55°C +85°C
- Locking Screws: UNC 4-40 thread

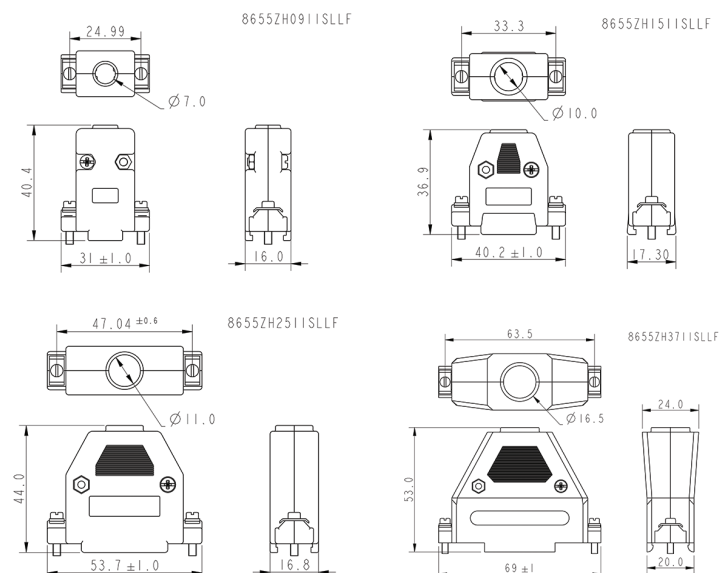
STRAIGHT EXIT HOOD-PLASTIC

Description	Part Numbers
Screw Thread UNC 4-40	8630CH09UNCLF
	8630CH15UNCLF
	8630CH25UNCLF
	8630CH37UNCLF
Screw Thread M3	8630CH09M3LF
	8630CH15M3LF
	8630CH25M3LF
	8630CH37M3LF



STRAIGHT EXIT HOOD-METALIZED

Description	Part Numbers
Screw Thread UNC 4-40	8655ZH0911SLLF
	8655ZH1511SLLF
	8655ZH2511SLLF
	8655ZH3711SLLF

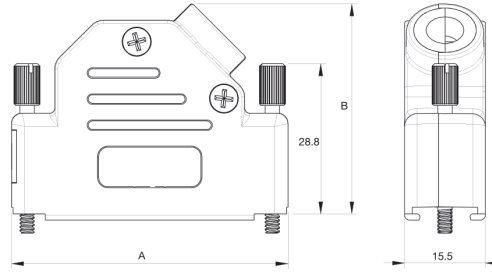


► D-SUBMINIATURE (D-SUB) ACCESSORIES

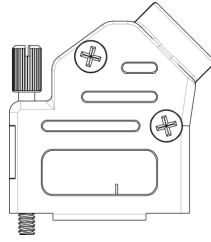
2 • ANGLE EXIT PLASTIC HOOD FOR CABLE



Size A,B,C



Size E

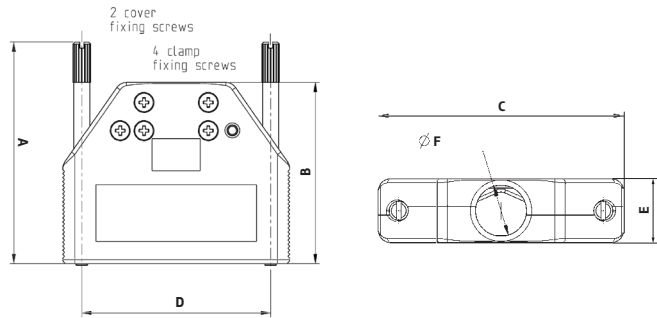
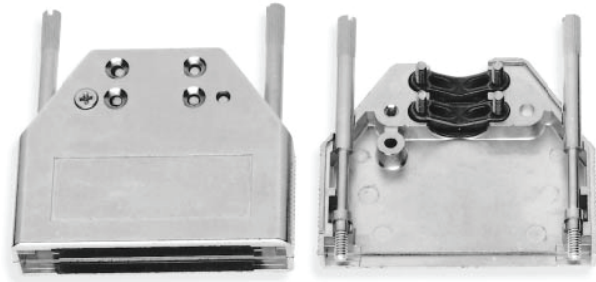


Shell Size	Part Numbers	A	B	Cable Diameter
E (9)	8655PHRA0901LF	31.0	36.2	4 to 13mm
A (15)	8655PHRA1501LF	39.5	40.2	
B (25)	8655PHRA2501LF	53.0	40.2	
C (37)	8655PHRA3701LF	69.5	40.2	

All dimensions in mm.

- Hoods available in Plastic, Metalized and Metallic form
- Cable Strain Relief: Steel fibre reinforced polycarbonate UL94V-0
- Color: Black
- Temperature Range: -40°C +120°C
- Packaging: Bulk, in box of 100 pieces
- Locking Screws: UNC 4-40 thread

3 • STRAIGHT EXIT METAL HOOD WITH TWO METAL CLAMPS FOR CABLE EMI/RFI



Shell Size	Part Numbers (in bulk)	Packaging	Part Numbers (in individual set)	Packaging	A \pm 0.1	B \pm 0.5	C \pm 0.1	D \pm 0.1	E \pm 0.2	F max.
E (9)	8655MH0901LF	80	8655MH0911LF	50	55.00	45.00	34.40	24.99	14.70	7.85
A (15)	8655MH1501LF	80	8655MH1511LF	50	55.00	45.00	42.70	33.32	14.70	11.80
B (25)	8655MH2501LF	60	8655MH2511LF	50	55.00	45.00	56.70	47.04	14.70	11.80
C (37)	8655MH3701LF	40	8655MH3711LF	50	55.00	45.00	72.95	63.50	14.70	11.80
D (50)	8655MH5001LF	40	8655MH5011LF	50	55.00	45.00	70.60	61.11	14.70	14.10

- Material: Zamack
- Plating: Nickel
- Environment: Frequencies at 100Mz > 40dB
- Corrosion Resistance: 50 Hours exposure to salt spray

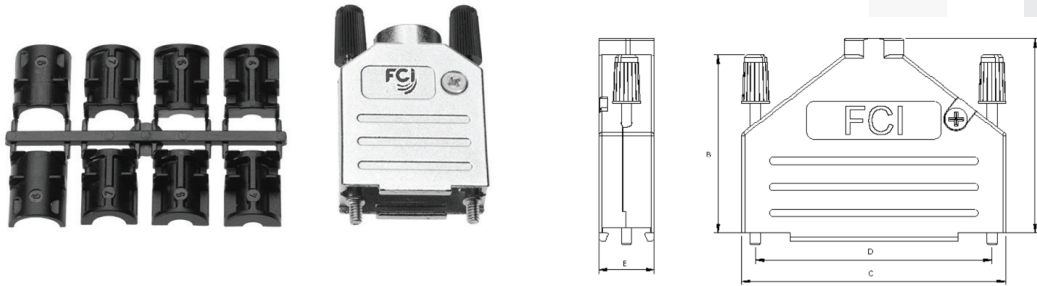
For more information,
please contact: Communications@fci.com
or visit us at www.fci.com

Disclaimer

Please note that the above information is subject to change without notice.

► D-SUBMINIATURE (D-SUB) ACCESSORIES

4 • STRAIGHT EXIT METAL HOOD FOR CABLE EMI/RFI – ECONOMICAL SERIES



Shell Size	Part Numbers in bulk	A	B	C	D	E
E	8655MH0901BLF	38.3	47.3	31	24.99	14.6
A	8655MH1501BLF	40.5	47.3	39.5	33.32	14.6
B	8655MH2501BLF	47.3	47.3	53.2	47.04	14.6
C	8655MH3701BLF	52.2	47.3	70.9	63.5	15

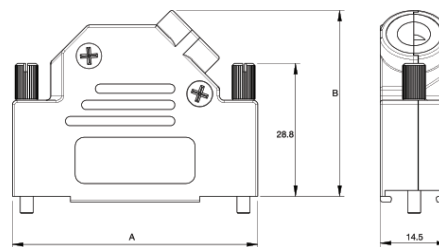
- Material: Zamack, nickel plated
- Cable Strain Relief: Steel fiber reinforced polycarbonate
- UL94V-0 for EMI/RFI screening
- Temperature Range: -40°C +120°C
- Environment: >40dB between 30MHz and 1GHz
- Packaging: Bulk, in box of 100 pieces
- Locking Screws: UNC 4-40 thread

5 • ANGLE EXIT METAL HOOD FOR CABLE EMI/RFI – ECONOMICAL SERIES

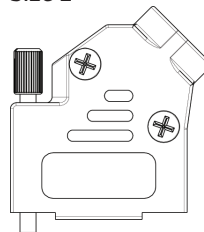


Shell Size	Part Numbers	A	B	Cable Diameter
E (9)	8655MHRA0901LF	31.0	36.2	4 to 13 mm
A (15)	8655MHRA1501LF	39.5	40.2	
B (25)	8655MHRA2501LF	53.2	40.2	
C (37)	8655MHRA3701LF	69.7	40.2	
D (50)	8655MHRA5001LF	67.2	43.7	10 to 16 mm

Size A,B,C



Size E



- Material: Zamack, Nickel plated
- Cable Strain Relief: Steel fibre reinforced polycarbonate
- UL94V-0 for EMI/RFI screening
- Temperature Range: -40°C +120°C
- Environment: >40 dB between 30MHz and 1GHz
- Packaging: Bulk, in box of 100 pieces
- Locking Screws: UNC 4-40 thread

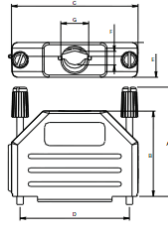
Disclaimer

▶ D-SUBMINIATURE (D-SUB) ACCESSORIES

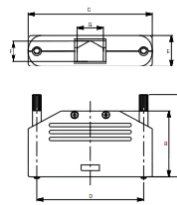
6 • “SNAP TOGETHER” PLASTIC HOOD



Size E, A,B,C



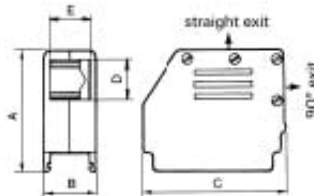
Size D



Shell Size	Part Numbers	A	B	C	D	E	With Clamp			Without Clamp	
							F		G	F	G
							min.	max.			
E (9)	86303637BLF	31.0	36.2	32.4	24.99	15	1	5.5	8.5	7	8.5
A (15)	86303638BLF	39.5	40.2	40.7	33.32	15	4	7	12	11	12
B (25)	86303639BLF	53.2	40.2	54.4	47.04	15	4	7	12	11	12
C (37)	86303640BLF	69.7	40.2	70.9	63.5	15	4	7	12	11	12
D (50)	86303641CLF	67.2	43.7	71.2	61.11	15	4	11.5	15.5	14	18

- Material: Zamack, nickel plated
- Material (size D): Thermoplastic (UL94V-2)
- Color: Black
- Temperature Range: -40°C +95°C
- Packaging: Individual sets
- Locking Screws: UNC 4-40 thread

7 • UNIVERSAL PLASTIC HOOD WITH METAL CLAMP FOR STRAIN RELIEF



Shell Size	Part Numbers (Black Hood)	Part Numbers (Metalized Hood)	A	B	C	With Clamp			Without Clamp	
						D	E		D	E
							min.	max.		
E	863093C09ALF	863093C09MLF	29.75	15.50	24.25	6	1.90	0.10	8	11.50
A	863093C15ALF	863093C15MLF	29.75	15.50	32.50	6	1.90	0.10	8	11.50
B	863093C25ALF	863093C25MLF	46.50	15.50	46.00	13.50	2.60	0.10	16	11.50
C	863093C37ALF	863093C37MLF	46.50	15.50	60.50	13.50	2.60	0.10	16	11.50
D	863093C50ALF	863093C50MLF	46.50	18.00	56.50	15.50	4.40	12.60	18	14.00

- Material (black hood): Self-extinguishing
- UL94V-0 thermoplastic
- Material (metalized): Thermoplastic
- Temperature Range: -55°C +125°C
- Packaging: Individual sets

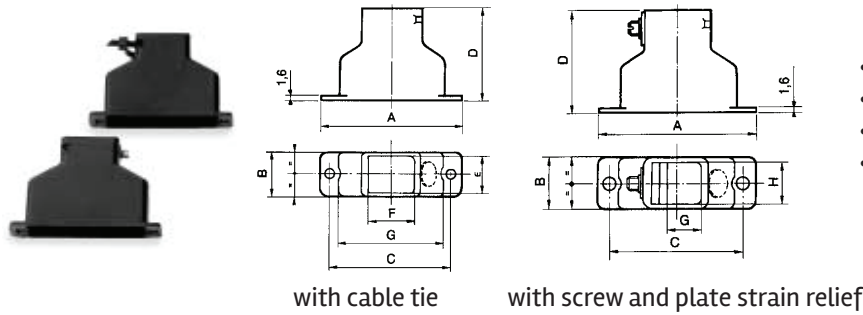
All dimensions in mm.

Disclaimer

Please note that the above information is subject to change without notice.

MONOBLOC PLASTIC HOODS FOR POTTING

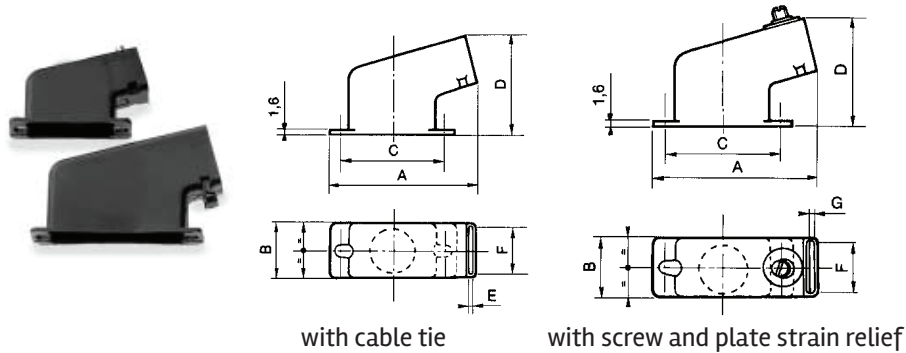
8 • STRAIGHT EXIT



- Material: Self-extinguishing
- UL rated 94V-0 thermoplastic
- Temperature range : -55°C to +105°C
- Color: Black

Shell Size	Part Numbers		A	B	C	D	E	F	G		H
	Hood with cable tie	Hood with screw and plate							min.	max.	
E	863086BLF	86303920ALF	30.60	12.50	25.00	29.00	9.90	9.90	2.70	7.10	10.50
A	863021BLF	86303921ALF	38.90	12.50	33.32	29.00	9.90	11.90	4.50	9.10	10.50
B	863022BLF	86303922ALF	52.80	12.50	47.05	35.00	9.90	16.40	9.20	13.60	10.50
C	863023BLF	86303923ALF	69.10	12.50	63.50	41.00	9.90	23.40	9.20	20.60	10.50
D	863024BLF	86303924ALF	66.70	15.30	61.10	41.00	12.70	23.40	9.20	20.60	13.30

9 • RIGHT ANGLE EXIT



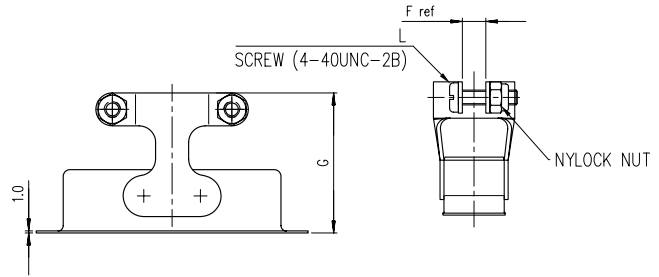
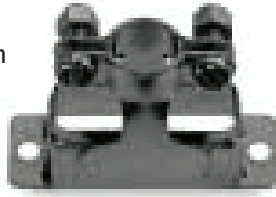
Shell Size	Part Numbers		A	B	C	D	E	F	G	
	Hood with cable tie	Hood with screw and plate							min.	max.
E	86305002BLF	86303925ALF	30.60	12.50	25.00	26.20	10.50	10.50	2.70	7.10
A	863026BLF	86303926ALF	38.90	12.50	33.32	28.60	12.50	10.50	4.50	9.10
B	863027BLF	86303927ALF	52.80	12.50	47.05	36.40	17.00	10.50	9.20	13.60
C	863028BLF	86303928ALF	69.10	12.50	63.50	42.60	24.00	10.50	9.20	20.60
D	863029BLF	86303929ALF	66.70	15.30	61.10	41.00	24.00	13.30	9.20	20.60

► D-SUBMINIATURE (D-SUB) ACCESSORIES

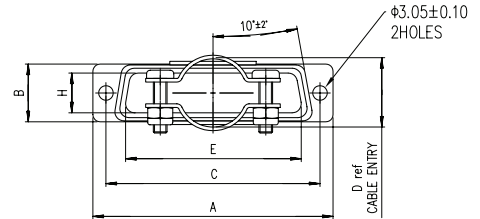
HOOD WITH CABLE CLAMPS

10 • METAL HOOD WITH CIRCULAR CLAMP AND STRAIGHT EXIT

- Material: Steel
- Plating: Yellow chromate cadmium
- Corrosion Resistance:
- 50 hours exposure to salt spray



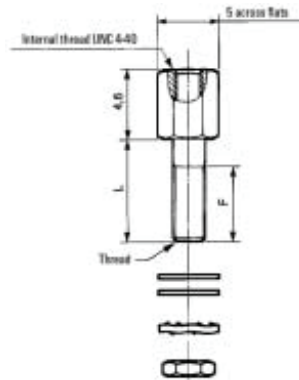
Shell Size	Part Numbers	A ± 0.38	B ± 0.38	C ± 0.13	D ref	E ± 0.38	F ref	G ± 0.76	H ± 0.38	L ± 0.80
E	863010A	30.68	12.70	25.00	10.31	16.79	3.18	26.19	8.74	9.53
A	863011A	38.89	12.70	33.30	10.31	25.00	3.18	26.19	8.74	9.53
B	863012A	52.78	12.70	47.04	15.06	38.48	4.75	27.08	8.74	9.53
C	863013A	69.04	12.70	63.50	18.25	55.14	6.35	27.08	8.74	12.70
D	863014A	66.68	15.47	61.12	20.62	53.16	7.93	27.08	11.13	15.88



11 • FEMALE SCREW LOCKS

Thread	L.Max	F	Material	Part Numbers
M3	8.30	6.90	Brass	863001TLF
M3	8.30	6.90	Steel	86552153TLF
M3	6.30	5.00	Brass	863001017TLF
M3	13.00	12.00	Brass	863001061TLF
UNC 4-40	8.30	6.90	Brass	863001060TLF

- Plating: Bright tin
- Corrosion Resistance: 24 hours exposure to salt spray



12 • SPECIFIC FEMALE SCREW LOCKS FOR DELTA D SERIES

Thread	L.Max	F	Material	Part Numbers
M3	4.5	3.7	Steel	863001018TLF
UNC 4-40	4.5	3.7	Steel	863001019TLF

Material	Torque Max. (Nm)
Brass	0.5
Steel	0.7

► D-SUBMINIATURE (D-SUB) ACCESSORIES

13 • MALE SCREW LOCKS

For use with connector without hood or with hood 7

For use with connector with hoods 10

For use with connector with hoods 8

Shell Size	Connector Type	Part Numbers		
E	Male	863005ATLF	863004ATLF	863009ATLF
	Female			
A	Male			
	Female			
B	Male			
	Female			
C	Male	863008ATLF		
	Female	863005ATLF		
D	Male	863015ATLF	863002ATLF	863025ATLF
	Female	863003ATLF		



- Material: Steel
- Plating: Bright tin
- Corrosion Resistance: 50 hours exposure to salt spray
- To obtain military plating (yellow chromate cadmium) exclude «TLF» in the part number (ex: 863005A)
- Thread: UNC 4-40

LOCKING DEVICES

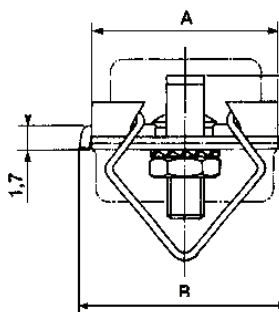
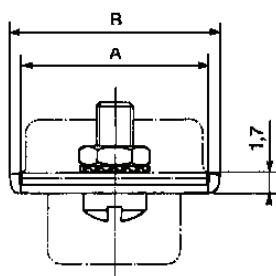
14 • LEVER LOCKS



Female



Male



Shell Size	A	B	M3 Thread		UNC 4-40 Thread	
			Female	Male	Female	Male
E, A, B, C	12.50	14.30	86303425LF	86552096LF	86303425060LF	86552098LF
D	15.30	17.10	86303426LF	86552097LF	86303426060LF	86552099LF

- Material: Steel
- Plating: Passivated

Disclaimer

► D-SUBMINIATURE (D-SUB) ACCESSORIES

CAPS

15 • METAL CAPS

Shell size	Connector Type Compatibility	Part Numbers	Diameter
E	Male	86553148TLF	30
	Female	86553113TLF	30
		86553138TLF*	30
A	Male	86553149TLF	25
	Female	86553114TLF	25
		86553139TLF*	25
B	Male	86553150TLF	20
	Female	86553115TLF	20
		86553140TLF*	20
C	Male	86553151TLF	15
	Female	86553116TLF	15
		86553141TLF*	15
D	Male	86553152TLF	10
	Female	86553117TLF	10
		86553142TLF*	10



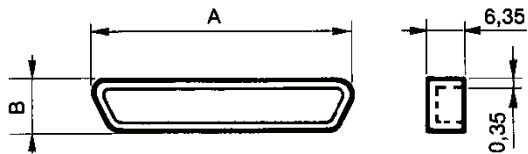
- Material: Steel
- Plating: Bright tin
- Corrosion Resistance: To obtain military plating (yellow chromate cadmium) exclude "TLF" in part number (ex : 86553148A)

16 • ATTACHING CORD FOR METAL CAPS

86553156LF (Length = 100 mm)
Packaging: Individual



17 • PLASTIC DUST CAPS



Shell size	For male connector	A	B	For female connector	A	B
E	70518BLF	19.17	10.30	70523BLF	17.77	9.0
A	70519BLF	27.50	10.30	70524BLF	26.10	9.0
B	70520BLF	41.67	10.70	70525BLF	39.82	9.0
C	70521BLF	58.13	10.70	70526BLF	56.28	9.0
D	70522BLF	55.49	13.40	70527BLF	53.89	11.85

- Material: Thermoplastic
- Color: Black
(For Red, please contact AFCI sales representative)

Disclaimer

▶ D-SUBMINIATURE (D-SUB) ACCESSORIES

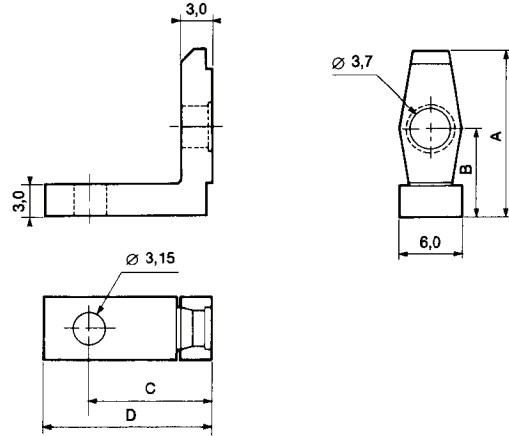
LOCKING DEVICES

Plastic mounting brackets are normally supplied with angled spill D-Sub connectors series D, DP, DM and DMW. However, both plastic and metal brackets can be ordered separately, using the part numbers listed below. These brackets are supplied with a screw and a nut. Order two assemblies for each connector.

18 • PLASTIC BRACKETS

Shell Size	Part Numbers	A	B	C	D
E, A, B, C	86303714LF	13.20	7.20	10.74	13.90

- Material: UL rated 94V0 thermoplastic



Компания «Life Electronics» занимается поставками электронных компонентов импортного и отечественного производства от производителей и со складов крупных дистрибьюторов Европы, Америки и Азии.

С конца 2013 года компания активно расширяет линейку поставок компонентов по направлению коаксиальный кабель, кварцевые генераторы и конденсаторы (керамические, пленочные, электролитические), за счёт заключения дистрибьюторских договоров

Мы предлагаем:

- Конкурентоспособные цены и скидки постоянным клиентам.
- Специальные условия для постоянных клиентов.
- Подбор аналогов.
- Поставку компонентов в любых объемах, удовлетворяющих вашим потребностям.
- Приемлемые сроки поставки, возможна ускоренная поставка.
- Доставку товара в любую точку России и стран СНГ.
- Комплексную поставку.
- Работу по проектам и поставку образцов.
- Формирование склада под заказчика.
- Сертификаты соответствия на поставляемую продукцию (по желанию клиента).
- Тестирование поставляемой продукции.
- Поставку компонентов, требующих военную и космическую приемку.
- Входной контроль качества.
- Наличие сертификата ISO.

В составе нашей компании организован Конструкторский отдел, призванный помогать разработчикам, и инженерам.

Конструкторский отдел помогает осуществить:

- Регистрацию проекта у производителя компонентов.
- Техническую поддержку проекта.
- Защиту от снятия компонента с производства.
- Оценку стоимости проекта по компонентам.
- Изготовление тестовой платы монтаж и пусконаладочные работы.



Тел: +7 (812) 336 43 04 (многоканальный)
Email: org@lifeelectronics.ru