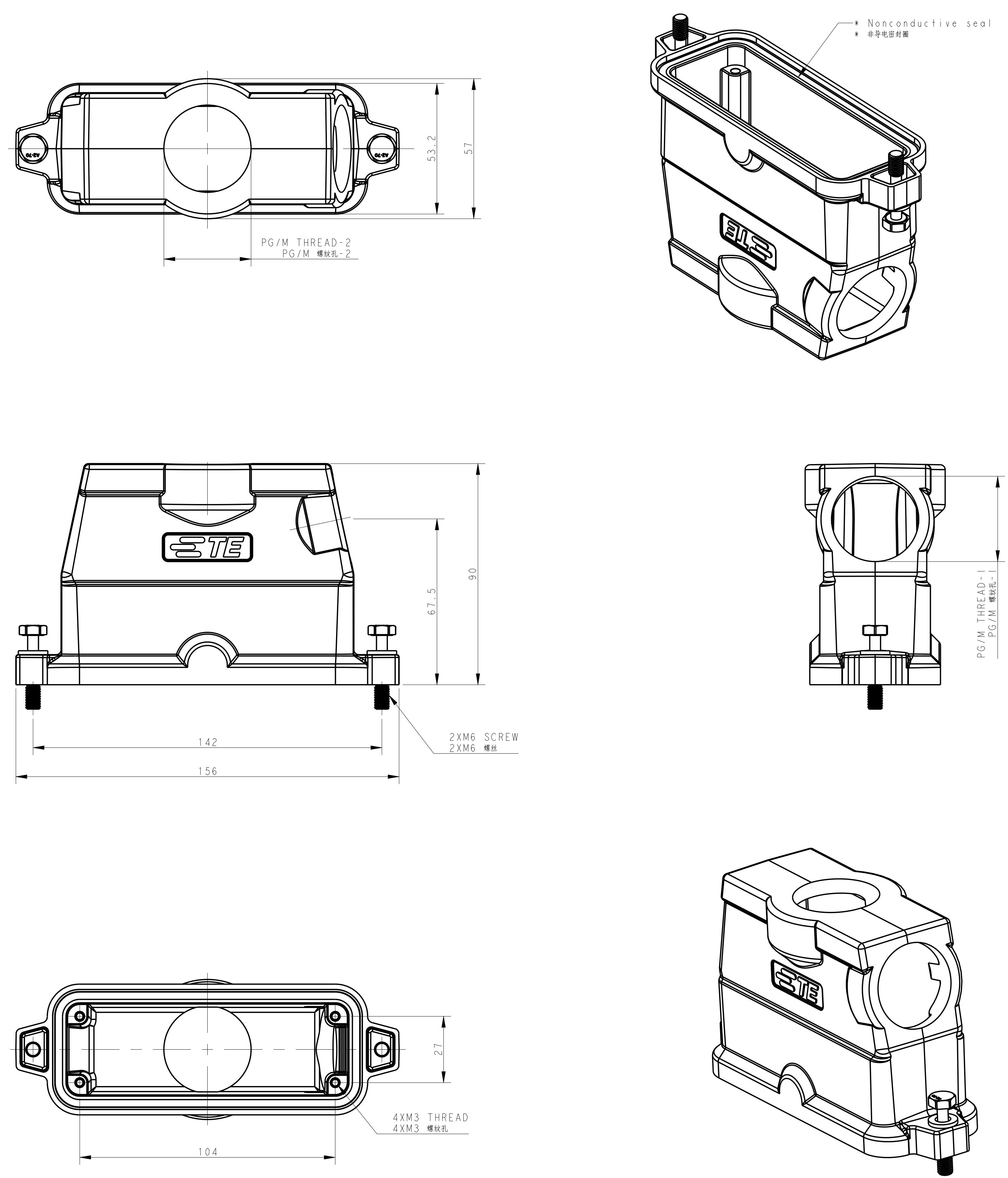


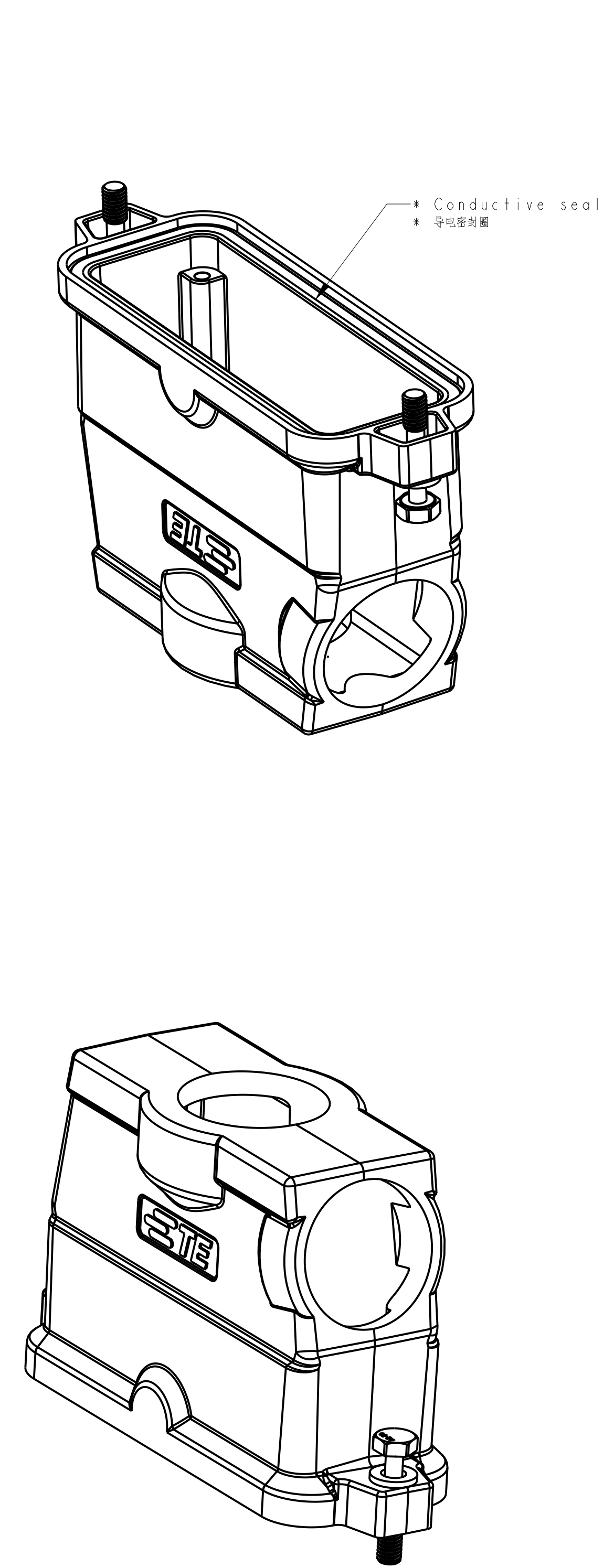
### TYPE 1 类型 1

With nonconductive seal/带非导电密封胶



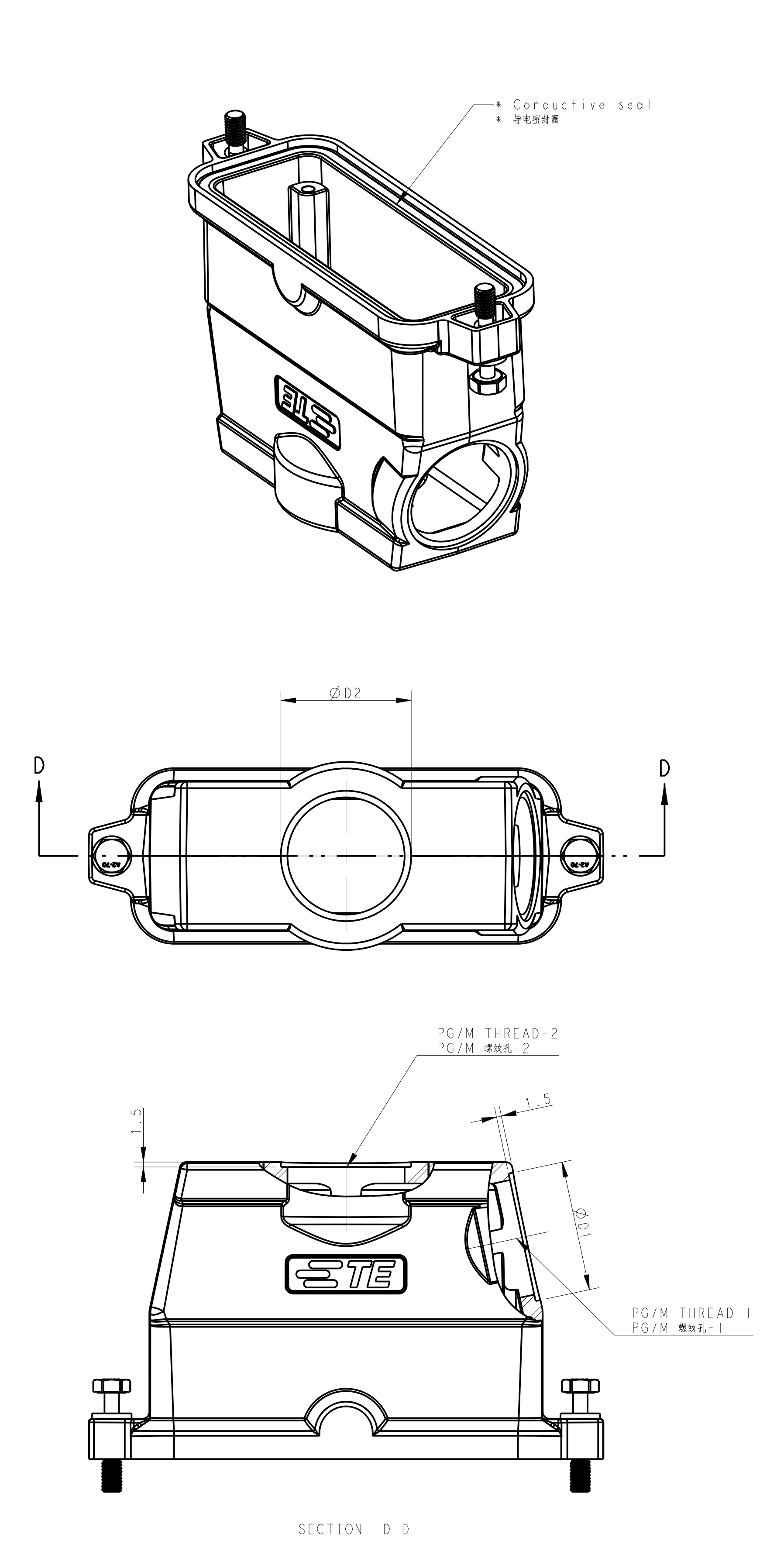
With conductive seal/带导电密封胶

### TYPE 2 类型 2



With conductive seal/带导电密封胶

### TYPE 3 类型 3



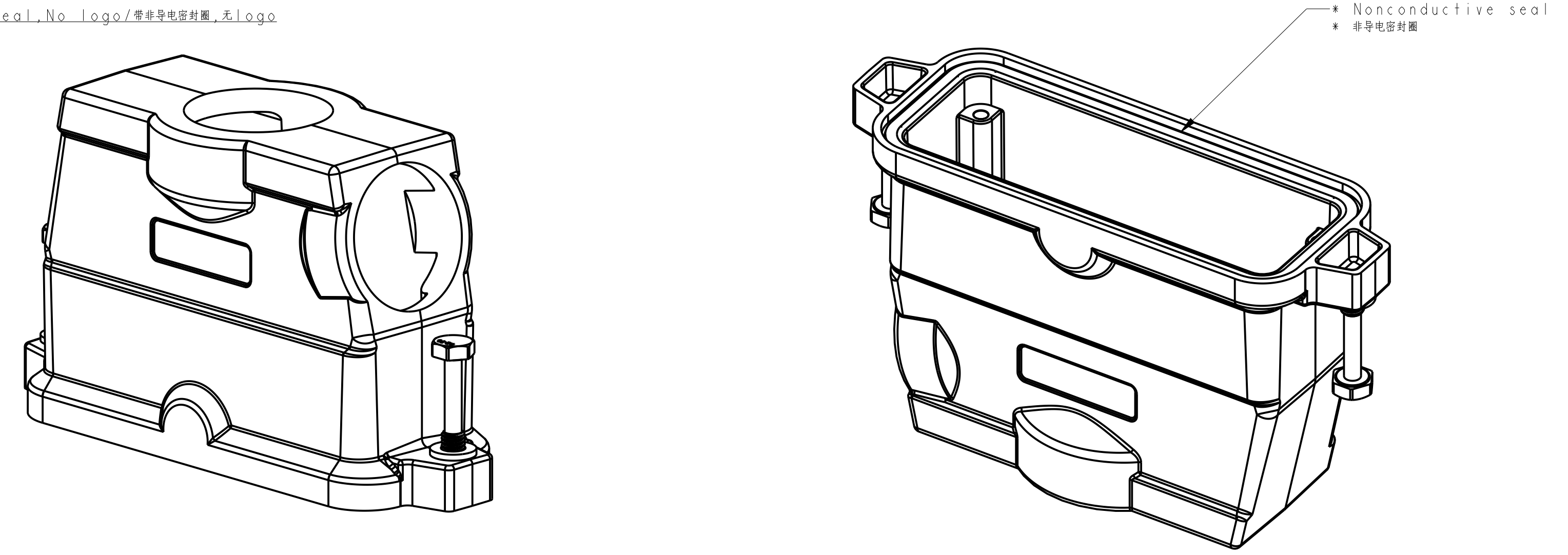
REVISIONS				
REV	DATE	DESCRIPTION	BY	APPD
B2	ECR-18-010109			
B3	ECR-18-009564			
B4	ECR-18-017123			
B5	ECR-19-007133			

All dimension is same as TYPE 1, except those defined in this TYPE  
 除了在本类型中定义的尺寸外, 其他尺寸同类型 1

All dimension is same as TYPE 1, except those defined in this TYPE  
 除了在本类型中定义的尺寸外, 其他尺寸同类型 1

### TYPE 4 类型 4

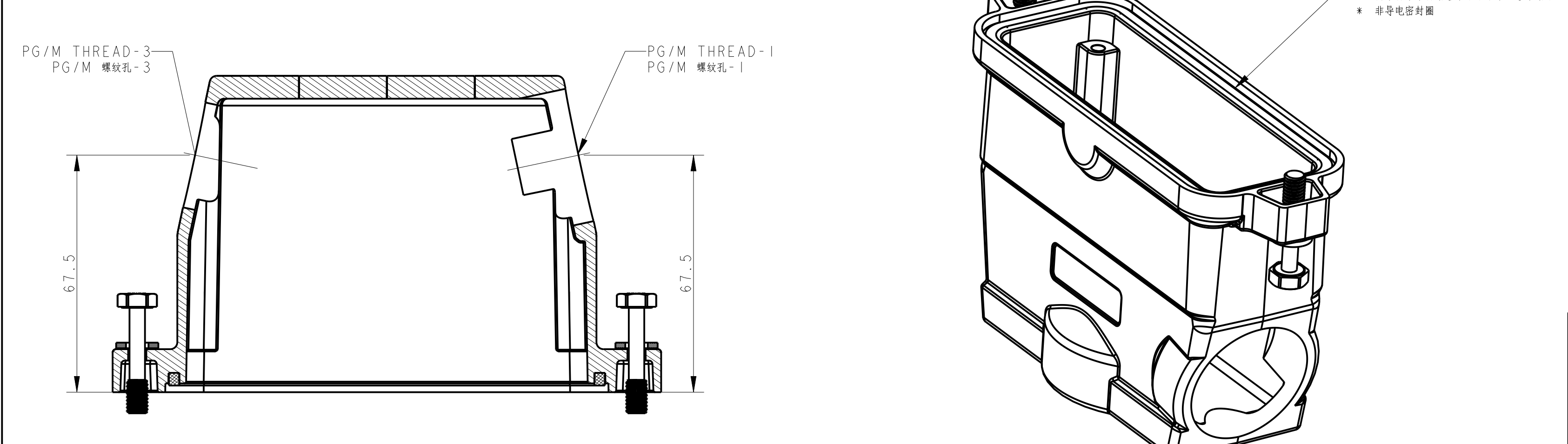
With nonconductive seal, No logo/带非导电密封胶, 无Logo



All dimension is same as TYPE 1, except those defined in this TYPE  
 除了在本类型中定义的尺寸外, 其他尺寸同类型 1

### TYPE 5 类型 5

With nonconductive seal, Two side entry, No logo/带非导电密封胶, 双侧进, 无Logo



All dimension is same as TYPE 1, except those defined in this TYPE  
 除了在本类型中定义的尺寸外, 其他尺寸同类型 1

THIS DRAWING IS A CONTROLLED DOCUMENT.		DATE	16 JUN 2015	BY	Y. Luo, Y.	APPROVED	Y. Luo, Y.	DATE	16 JUN 2015	BY	Y. Luo, Y.	APPROVED	Y. Luo, Y.	DATE	16 JUN 2015	BY	Y. Luo, Y.	APPROVED	Y. Luo, Y.
DIMENSIONS:		0 P/LC	1 P/LC	2 P/LC	3 P/LC	4 P/LC	5 P/LC	6 P/LC	7 P/LC	8 P/LC	9 P/LC	10 P/LC	11 P/LC	12 P/LC	13 P/LC	14 P/LC	15 P/LC	16 P/LC	17 P/LC
MATERIAL:		H248PR-TS/GHC-PG/M AND H248PR-TG/SHC-PG/M																	
FINISH:		114-137014																	
WEIGHT:		114-137014																	
CUSTOMER DRAWING:		A0																	
SCALE:		1:1																	
SHEET:		1 of 2																	
REV:		B5																	

REVISIONS				
NO.	DATE	DESCRIPTION	BY	APPD.
-	-	SEE SHEET 1	-	-
-	-	-	-	-
-	-	-	-	-

NOTES:  
 1. TECHNICAL CHARACTERISTICS:  
 HOOD MATERIAL: DIE CAST ALUMINIUM ALLOY  
 SURFACE TREATMENT: SEE TABLE  
 DEGREE OF PROTECTION: IP68 (MATED)

注释:  
 1. 技术参数:  
 壳体材料: 铝合金  
 表面处理: 见表格  
 防护等级: IP68 (配合)

TYPE 5 类别5	TYPE 4 类别4	TYPE 3 类别3	TYPE 2 类别2	TYPE 1 类别1					
T1912243240-001 POWDER COATED, DEEP GREY 表面喷涂, 深灰色	H24BPR-TSHC-M32/M40	H24BPR HOOD, CENTER LOCKING, TWO SIDE ENTRY M32/M40, POWDER COATED, DEEP GREY, NO LOGO H24BPR上盖, 中翻锁死, 顶部侧出M32/M40, 深灰色粉末喷涂, 无LOGO	M40	-	M32	-	-	-	-
T1902243240-001 POWDER COATED, DEEP GREY 表面喷涂, 深灰色	H24BPR-TG/SHC-M32/M40	H24BPR HOOD, CENTER LOCKING, TOP ENTRY M32SIDE ENTRY M40, POWDER COATED, DEEP GREY, NO LOGO H24BPR上盖, 中翻锁死, 顶部M32侧出M40, 深灰色粉末喷涂, 无LOGO	M40	M32	-	-	-	-	-
T1902244025-001 POWDER COATED, DEEP GREY 表面喷涂, 深灰色	H24BPR-TG/SHC-M40/M25	H24BPR HOOD, CENTER LOCKING, TOP ENTRY M40SIDE ENTRY M25, POWDER COATED, DEEP GREY, NO LOGO H24BPR上盖, 中翻锁死, 顶部M40侧出M25, 深灰色粉末喷涂, 无LOGO	M25	M40	-	-	-	-	-
T1902242232-001 POWDER COATED, DEEP GREY 表面喷涂, 深灰色	H24BPR-TS/GHC-2M32	H24BPR HOOD, CENTER LOCKING, SIDE/TOP ENTRY 2M32, POWDER COATED, DEEP GREY, NO LOGO H24BPR上盖, 中翻锁死, 侧/顶部2M32, 深灰色粉末喷涂, 无LOGO	M32	M32	-	-	-	-	-
T1902242240-001 POWDER COATED, DEEP GREY 表面喷涂, 深灰色	H24BPR-TS/GHC-2M40	H24BPR HOOD, CENTER LOCKING, SIDE/TOP ENTRY 2M40, POWDER COATED, DEEP GREY, NO LOGO H24BPR上盖, 中翻锁死, 侧/顶部2M40, 深灰色粉末喷涂, 无LOGO	M40	M40	-	-	-	-	-
T1902241232-100 POWDER COATED, SILVER WHITE 表面喷涂, 银白色	H24BPR-TS/GHC-2M32	H24BPR HOOD, CENTER LOCKING, SIDE/TOP ENTRY 2M32, POWDER COATED, SILVER WHITE, CONDUCTIVE, THREAD HOLE WITH STEP H24BPR上盖, 中翻锁死, 侧/顶部2M32, 银色粉末喷涂, 导电孔, 螺孔无台阶	M32	M32	-	-	34	34	-
T1902240232-100 POWDER COATED, BLACK 表面喷涂, 黑色	H24BPR-TS/GHC-2M32	H24BPR HOOD, CENTER LOCKING, SIDE/TOP ENTRY 2M32, POWDER COATED, BLACK, CONDUCTIVE, THREAD HOLE WITH STEP H24BPR上盖, 中翻锁死, 侧/顶部2M32, 黑色粉末喷涂, 导电孔, 螺孔无台阶	M32	M32	-	-	34	34	-
T1902241229-100 POWDER COATED, SILVER WHITE 表面喷涂, 银白色	H24BPR-TS/GHC-2PG29	H24BPR HOOD, CENTER LOCKING, SIDE/TOP ENTRY 2PG29, POWDER COATED, SILVER WHITE, CONDUCTIVE, THREAD HOLE WITH STEP H24BPR上盖, 中翻锁死, 侧/顶部2PG29, 银色粉末喷涂, 导电孔, 螺孔无台阶	PG29	PG29	-	-	39.5	39.5	-
T1902240229-100 POWDER COATED, BLACK 表面喷涂, 黑色	H24BPR-TS/GHC-2PG29	H24BPR HOOD, CENTER LOCKING, SIDE/TOP ENTRY 2PG29, POWDER COATED, BLACK, CONDUCTIVE, THREAD HOLE WITH STEP H24BPR上盖, 中翻锁死, 侧/顶部2PG29, 黑色粉末喷涂, 导电孔, 螺孔无台阶	PG29	PG29	-	-	39.5	39.5	-
<del>T1902240240-100 POWDER COATED, BLACK 表面喷涂, 黑色</del>	<del>H24BPR-TS/GHC-2M40</del>	<del>H24BPR HOOD, CENTER LOCKING, SIDE/TOP ENTRY 2M40, POWDER COATED, BLACK, CONDUCTIVE, THREAD HOLE WITH STEP H24BPR上盖, 中翻锁死, 侧/顶部2M40, 黑色粉末喷涂, 导电孔, 螺孔无台阶</del>	<del>M40</del>	<del>M40</del>	<del>-</del>	<del>-</del>	<del>-</del>	<del>-</del>	<del>-</del>
T1902242240-000 POWDER COATED, GREY 表面喷涂, 灰色	H24BPR-TS/GHC-2M40	H24BPR HOOD, CENTER LOCKING, SIDE/TOP ENTRY 2M40, POWDER COATED, GREY H24BPR上盖, 中翻锁死, 侧/顶部2M40, 灰色粉末喷涂	M40	M40	-	-	-	-	-
T1902240240-000 POWDER COATED, BLACK 表面喷涂, 黑色	H24BPR-TS/GHC-2M40	H24BPR HOOD, CENTER LOCKING, SIDE/TOP ENTRY 2M40, POWDER COATED, BLACK H24BPR上盖, 中翻锁死, 侧/顶部2M40, 黑色粉末喷涂	M40	M40	-	-	-	-	-
T1902244025-000 POWDER COATED, SILVER WHITE 表面喷涂, 银白色	H24BPR-TG/SHC-M40/M25	H24BPR HOOD, CENTER LOCKING, TOP ENTRY M40SIDE ENTRY M25, POWDER COATED, SILVER WHITE H24BPR上盖, 中翻锁死, 顶部M40侧出M25, 银色粉末喷涂	M25	M40	-	-	-	-	-
T1902244020-000 POWDER COATED, SILVER WHITE 表面喷涂, 银白色	H24BPR-TG/SHC-M40/M20	H24BPR HOOD, CENTER LOCKING, TOP ENTRY M40SIDE ENTRY M20, POWDER COATED, SILVER WHITE H24BPR上盖, 中翻锁死, 顶部M40侧出M20, 银色粉末喷涂	M20	M40	-	-	-	-	-
T1902243240-000 POWDER COATED, SILVER WHITE 表面喷涂, 银白色	H24BPR-TG/SHC-M32/M40	H24BPR HOOD, CENTER LOCKING, TOP ENTRY M32SIDE ENTRY M40 HOOD, POWDER COATED, SILVER WHITE H24BPR上盖, 中翻锁死, 顶部M32侧出M40上盖, 银白色粉末喷涂	M40	M32	-	-	-	-	-
T1902242540-000 POWDER COATED, SILVER WHITE 表面喷涂, 银白色	H24BPR-TG/SHC-M25/M40	H24BPR HOOD, CENTER LOCKING, TOP ENTRY M25SIDE ENTRY M40 HOOD, POWDER COATED, SILVER WHITE H24BPR上盖, 中翻锁死, 顶部M25侧出M40上盖, 银白色粉末喷涂	M40	M25	-	-	-	-	-
T1902242040-000 POWDER COATED, SILVER WHITE 表面喷涂, 银白色	H24BPR-TG/SHC-M20/M40	H24BPR HOOD, CENTER LOCKING, TOP ENTRY M20SIDE ENTRY M40 HOOD, POWDER COATED, SILVER WHITE H24BPR上盖, 中翻锁死, 顶部M20侧出M40上盖, 银白色粉末喷涂	M40	M20	-	-	-	-	-
T1902241240-000 POWDER COATED, SILVER WHITE 表面喷涂, 银白色	H24BPR-TS/GHC-2M40	H24BPR HOOD, CENTER LOCKING, SIDE/TOP ENTRY 2M40, POWDER COATED, SILVER WHITE H24BPR上盖, 中翻锁死, 侧/顶部2M40, 银白色粉末喷涂	M40	M40	-	-	-	-	-
T1902241232-000 POWDER COATED, SILVER WHITE 表面喷涂, 银白色	H24BPR-TS/GHC-2M32	H24BPR HOOD, CENTER LOCKING, SIDE/TOP ENTRY 2M32, POWDER COATED, SILVER WHITE H24BPR上盖, 中翻锁死, 侧/顶部2M32, 银白色粉末喷涂	M32	M32	-	-	-	-	-
T1902241229-000 POWDER COATED, SILVER WHITE 表面喷涂, 银白色	H24BPR-TS/GHC-2PG29	H24BPR HOOD, CENTER LOCKING, SIDE/TOP ENTRY 2PG29, POWDER COATED, SILVER WHITE H24BPR上盖, 中翻锁死, 侧/顶部2PG29, 银白色粉末喷涂	PG29	PG29	-	-	-	-	-

THIS DRAWING IS A CONTROLLED DOCUMENT. DATE: 16 JUN 2015  
 DIMENSIONS: (mm) 0 PLC: 0, 1 PLC: 1, 2 PLC: 2, 3 PLC: 3, 4 PLC: 4  
 MATERIAL: ALUMINUM  
 FINISH: ANODIZED  
 WEIGHT: 114.137014  
 APPLICATION SPEC: 114-137014  
 CUSTOMER DRAWING  
 DATE: 16 JUN 2015  
 BY: C. J. WARD  
 APPROVED: T. J. WARD  
 PRODUCT SPEC: 108-137014  
 APPLICATION SPEC: 114-137014  
 SITE: A0  
 CASE CODE: T190224XXXXX00  
 RESTRICTED TO: 2 OF 2  
 SCALE: 1:1  
 REV: 05

Компания «Life Electronics» занимается поставками электронных компонентов импортного и отечественного производства от производителей и со складов крупных дистрибьюторов Европы, Америки и Азии.

С конца 2013 года компания активно расширяет линейку поставок компонентов по направлению коаксиальный кабель, кварцевые генераторы и конденсаторы (керамические, пленочные, электролитические), за счёт заключения дистрибьюторских договоров

Мы предлагаем:

- Конкуренспособные цены и скидки постоянным клиентам.
- Специальные условия для постоянных клиентов.
- Подбор аналогов.
- Поставку компонентов в любых объемах, удовлетворяющих вашим потребностям.
- Приемлемые сроки поставки, возможна ускоренная поставка.
- Доставку товара в любую точку России и стран СНГ.
- Комплексную поставку.
- Работу по проектам и поставку образцов.
- Формирование склада под заказчика.
- Сертификаты соответствия на поставляемую продукцию (по желанию клиента).
- Тестирование поставляемой продукции.
- Поставку компонентов, требующих военную и космическую приемку.
- Входной контроль качества.
- Наличие сертификата ISO.

В составе нашей компании организован Конструкторский отдел, призванный помогать разработчикам, и инженерам.

Конструкторский отдел помогает осуществить:

- Регистрацию проекта у производителя компонентов.
- Техническую поддержку проекта.
- Защиту от снятия компонента с производства.
- Оценку стоимости проекта по компонентам.
- Изготовление тестовой платы монтаж и пусконаладочные работы.



Тел: +7 (812) 336 43 04 (многоканальный)

Email: [org@lifeelectronics.ru](mailto:org@lifeelectronics.ru)