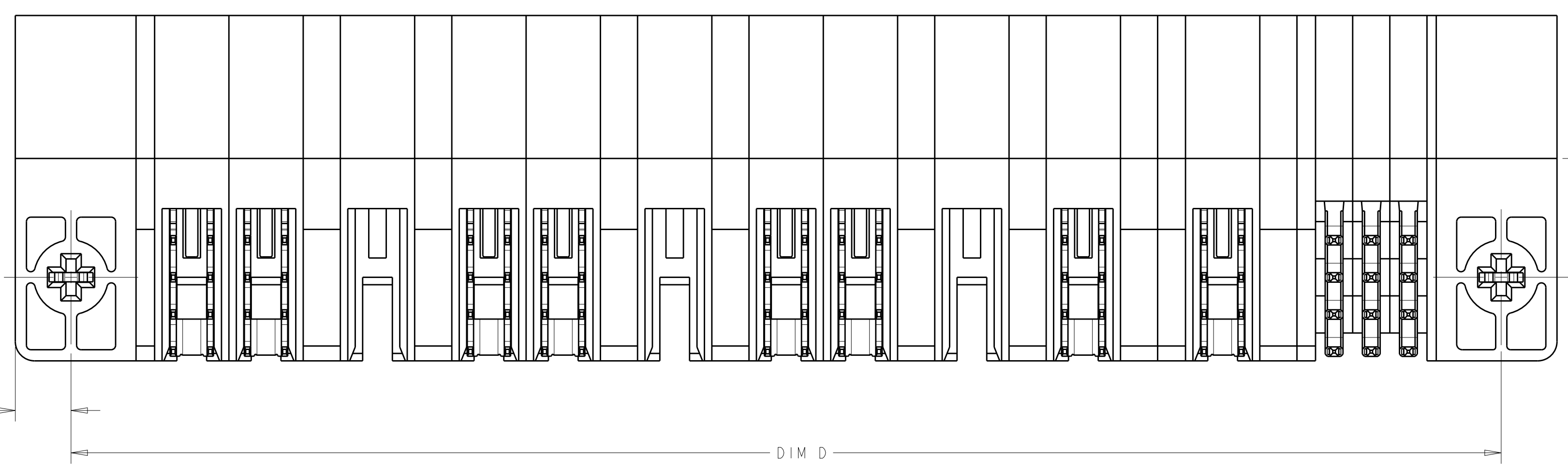
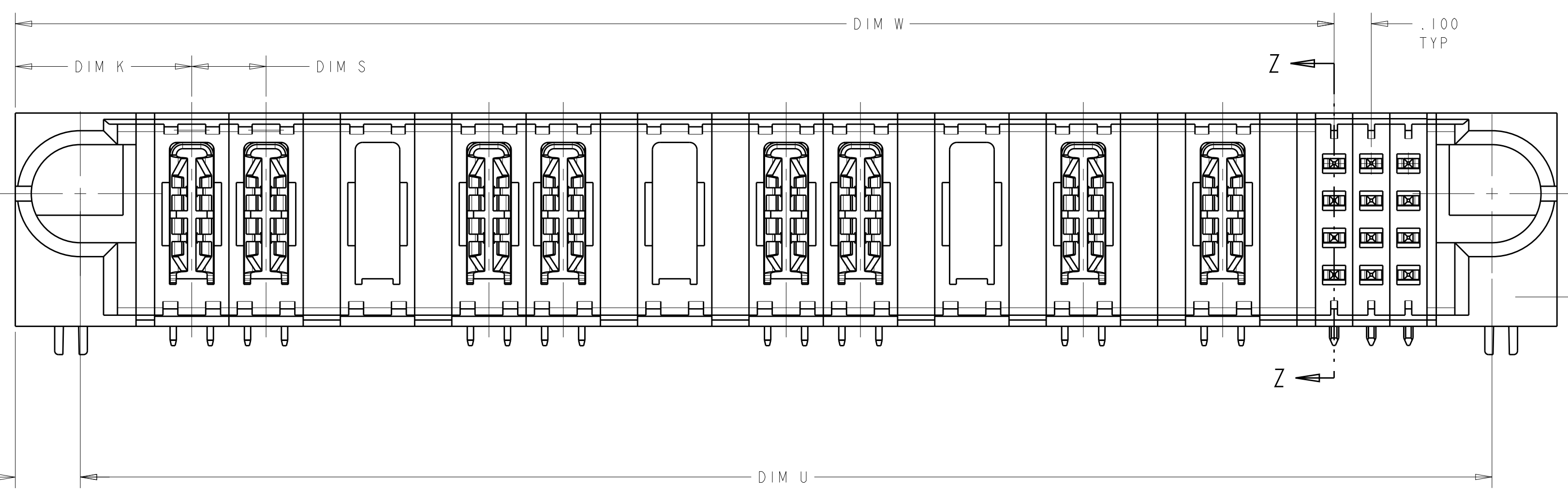
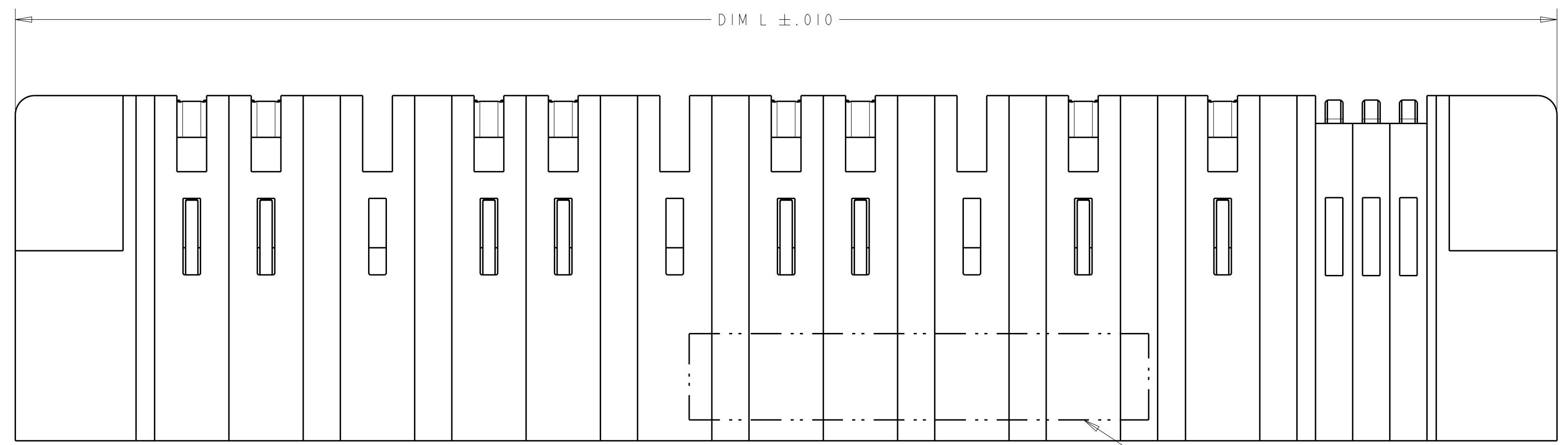
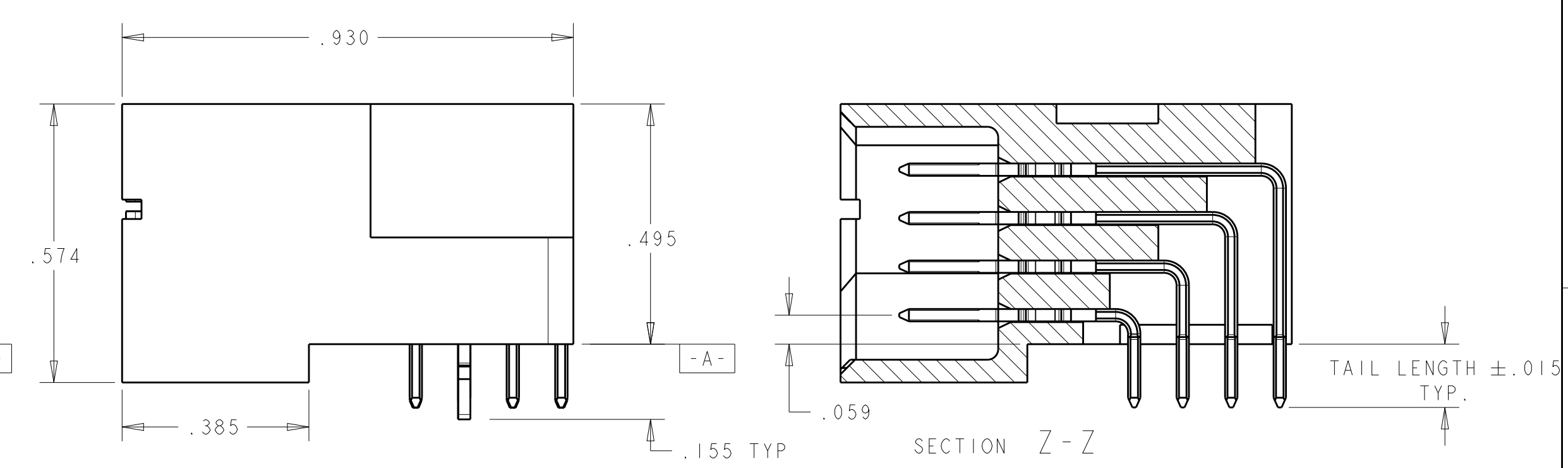


LOC	DIST	REVISIONS			
P	LTN	DESCRIPTION	DATE	DWN	APVD
E8		RELEASE 2-3	10AUG2014	CZ	SZ
E9		ADD NEW DASH NUMBER 3-0	19AUG2014	CZ	SZ



- 1 "AMP" TRADEMARK, PART NUMBER, AND DATE CODE TO BE MARKED IN AREA SHOWN
- 2 MATERIAL:  
HOUSING - GLASS FILLED HIGH TEMP THERMO PLASTIC, UL94 V-0  
SIGNAL CONTACT - COPPER ALLOY  
POWER CONTACT - HIGH CONDUCTIVITY COPPER ALLOY
- 3 CONTACT PLATING: NOBLE METAL PLATING ON CONTACT FUNCTIONAL AREA OF POWER AND SIGNAL CONTACTS.
- 4 MECHANICAL CONNECTOR KEEP OUT ZONE.
- 5 DATUM AND BASIC DIMENSIONS ESTABLISHED BY CUSTOMER.
- 6 PCB - ALL HOLES DIAMETERS ARE FINISHED HOLE SIZES.
- 7 PCB - .0453±.0010 DRILLED HOLES PLATED WITH .0003 MIN. Sn OVER .001 TO .003 CU PLATING TO ACHIEVE A .040±.003 DIA HOLE.
- 8 NOT RELEASED FOR PRODUCTION
- 9 VARIABLE DIMENSIONS SHOWN ON VIEW (SHEET 2)



THIS DRAWING IS A CONTROLLED DOCUMENT. DWN: R. GRZYBOWSKI 02FEB05  
 CHK: M. PERCHERKE 02FEB05

**STE** TE Connectivity

NAME: RIGHT ANGLE HEADER ASSY W/GUIDES MULTI-BEAM XL

PRODUCT SPEC: 108-1973  
 APPLICATION SPEC: 114-13038

SIZE: A1 00779 C=6450122  
 CAGE CODE: 6450122

MATERIAL: 2 FINISH: 3

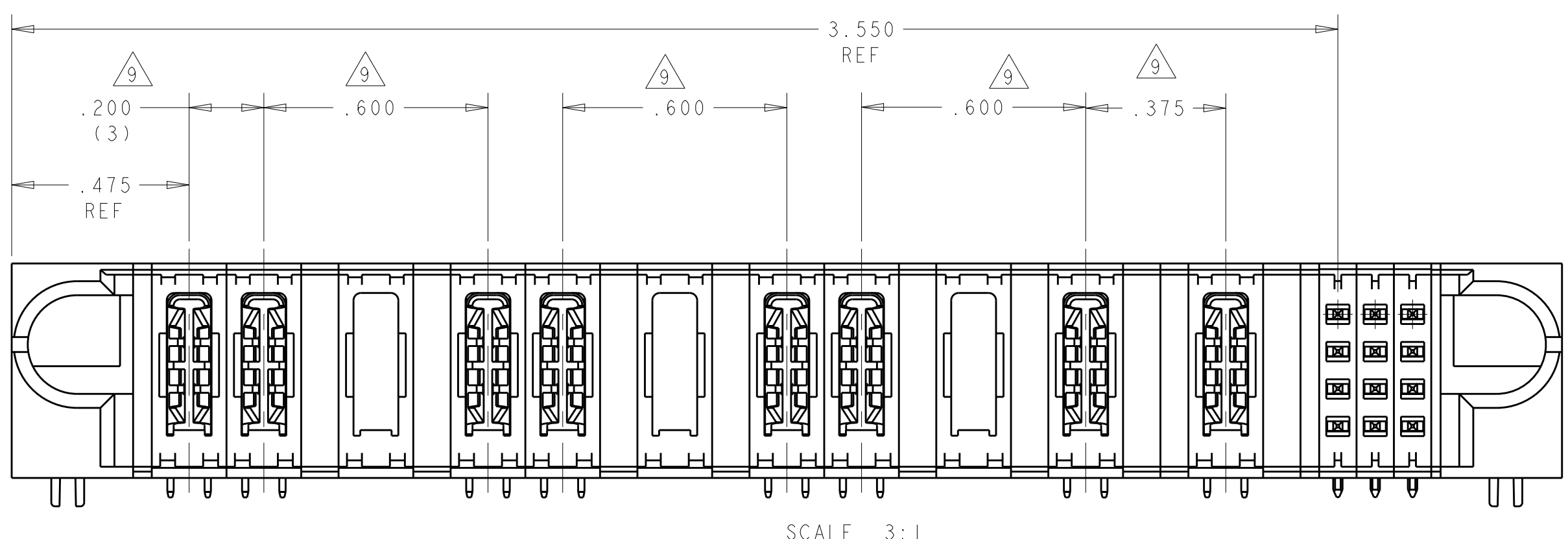
CUSTOMER DRAWING SCALE: 4:1 SHEET 1 OF 10 REV: E9

THIS DRAWING IS UNPUBLISHED. RELEASED FOR PUBLICATION 20  
 © COPYRIGHT 20 BY - ALL RIGHTS RESERVED.

LOC		DIST		REVISIONS			
P	LYN	DESCRIPTION	DATE	OWN	APVD		
-	-	SEE SHEET 1	-	-	-		

E9	1.700	.250	1.375	1.750	.450	2.050	4P + 16S	3-6450122-0
	2.400	.250	1.875	2.450	.450	2.750	6P + 24S	2-6450122-9
	1.300	.250	1.175	1.350	.450	1.650	3P + 8S	2-6450122-8
	2.050	.250	1.925	2.100	.450	2.400	6P + 8S	2-6450122-7
	4.425	.200	2.200	4.475	.450	4.775	9P + 92S	2-6450122-6
	2.900	.250	2.375	2.950	.450	3.250	8P + 24S	2-6450122-5
	2.700	.250	.875	2.750	.450	3.050	2P + 76S	2-6450122-4
	2.300	.250	1.875	2.350	.450	2.650	6P + 20S	2-6450122-3
	3.200	.250	2.875	3.250	.450	3.550	10P + 16S	2-6450122-2
	1.650	.200	1.225	1.700	.450	2.000	4P + 20S	2-6450122-1
	2.950	.200	2.425	3.000	.450	3.300	10P + 24S	2-6450122-0
	1.800	.250	1.375	1.850	.450	2.150	4P + 20S	1-6450122-9
	2.250	.250	1.975	2.300	.475	2.600	6P + 12S	1-6450122-7
	1.000	.250	.875	1.050	.450	1.350	2P + 8S	1-6450122-6
	1.850	.300	1.325	1.900	.475	2.200	3ACP + 24S	1-6450122-2
	5.900	.250	5.375	5.950	.450	6.250	20P + 24S	1-6450122-1
	1.400	.250	.875	1.450	.450	1.750	2P + 24S	1-6450122-0
	3.050	.250	2.125	3.100	.450	3.400	7P + 40S	6450122-8
	4.425	.250	3.875	4.475	.450	4.775	14P + 24S	6450122-6
	3.800	.250	3.550	3.850	.475	4.150	11P + 12S	6450122-3
	4.600	.250	3.875	4.650	.450	4.950	14P + 32S	6450122-2
	3.800	.250	3.550	3.850	.475	4.150	11P + 12S	6450122-1
	DIM U	DIM S	DIM W	DIM D	DIM K	DIM L	DESCRIPTION	PART NUMBER

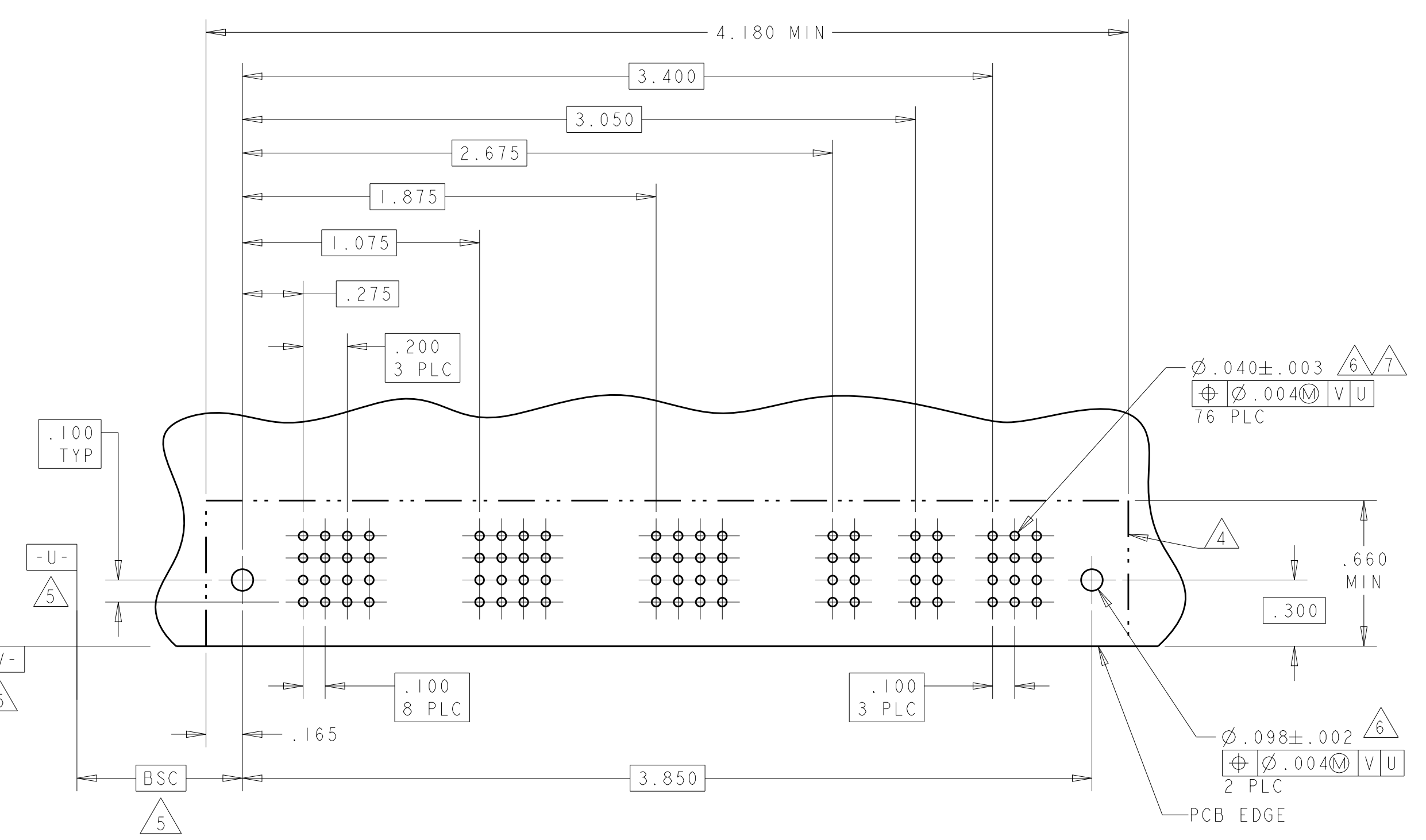
THIS DRAWING IS A CONTROLLED DOCUMENT.		OWN R. GRZYBOWSKI	02FEB05		TE Connectivity
DIMENSIONS: INCHES		CHK M. PERCHERKE	02FEB05		
TOLERANCES UNLESS OTHERWISE SPECIFIED:		APVD M. PERCHERKE	NAME	RIGHT ANGLE HEADER ASSY W/GUIDES MULTI-BEAM XL	
0 PLC ±.01		PRODUCT SPEC	SIZE	CAGE CODE	DRAWING NO
1 PLC ±.01		APPLICATION SPEC	114-13038	108-1973	114-13038
2 PLC ±.005		WEIGHT	114-13038	108-1973	114-13038
3 PLC ±.005		FINISH	114-13038	108-1973	114-13038
4 PLC ±.0020		CUSTOMER DRAWING	114-13038	108-1973	114-13038
ANGLES ±.020		SCALE	4:1	SHEET	2 OF 10
FINISH		REV	E9		



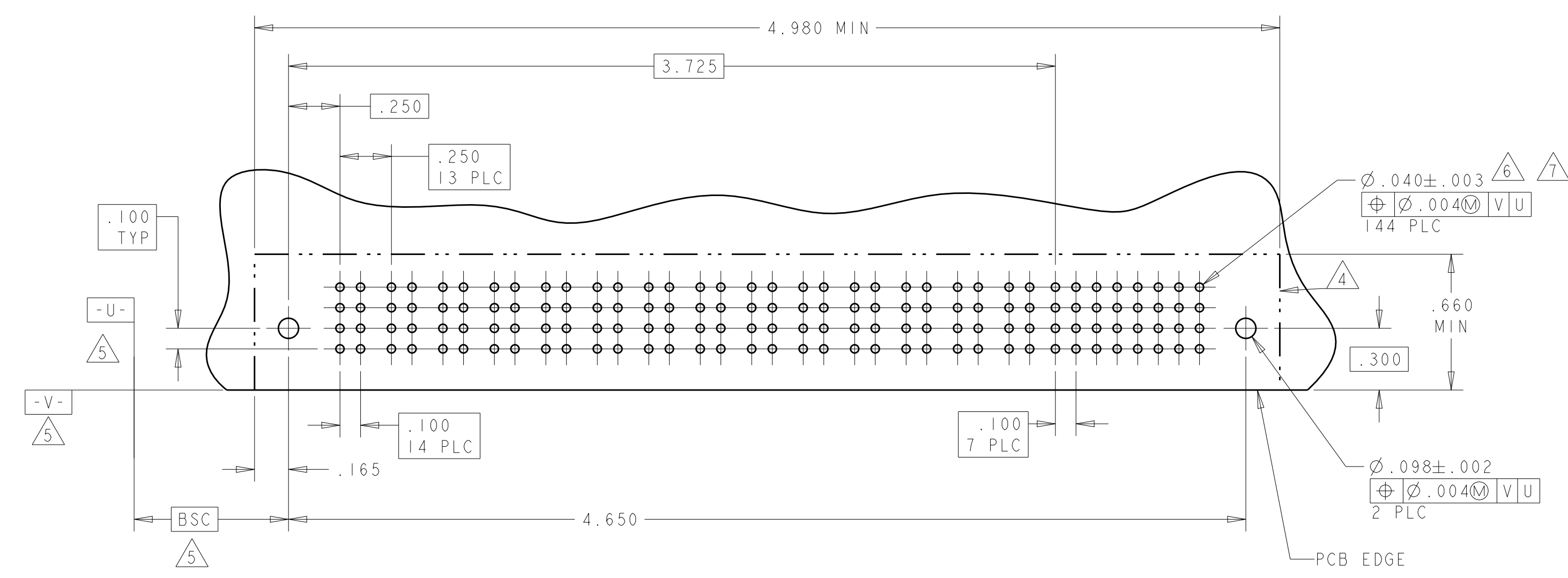
SCALE 3:1

PART NUMBER	ROWS	POWER										SIGNAL				
		P1	P2	P3	P4	P5	P6	P7	P8	P9	P10	P11	1	2	3	
6450122-1	D C B A	PM	PM	PM	PM	PM	PM	PM	PM	PM	PM	J	J	J	HD	HD
11P + 12S		NO CONTACT LOADED														

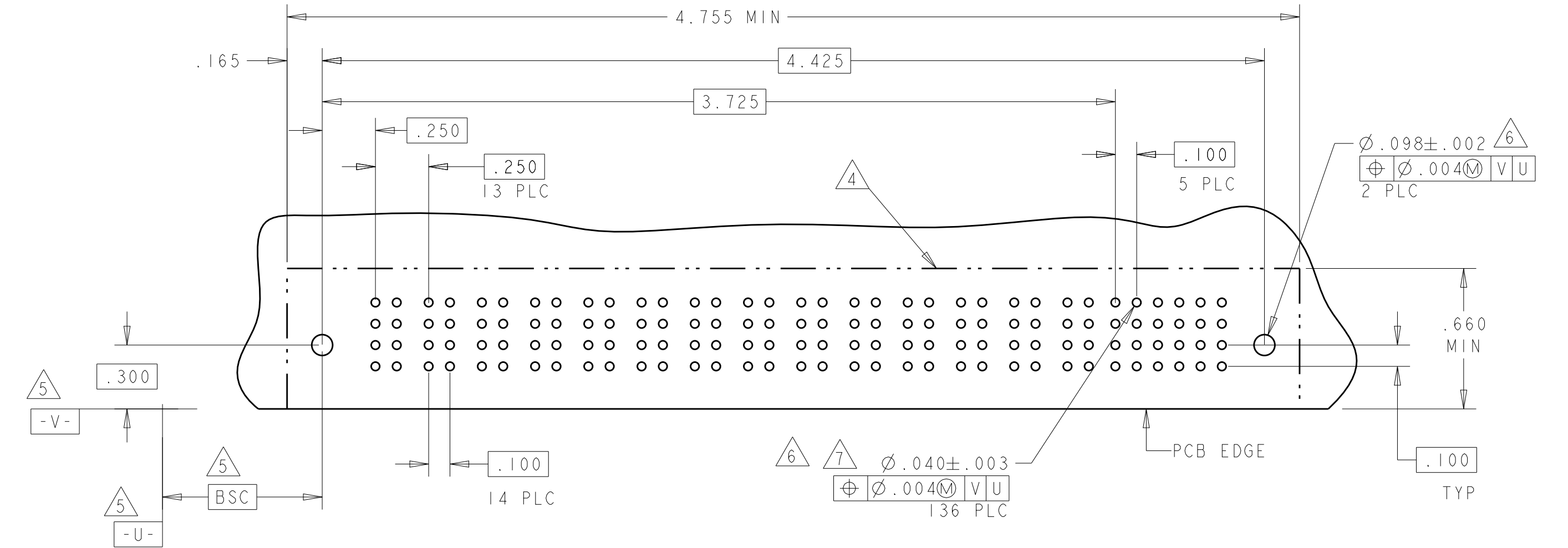
PART NUMBER	ROWS	POWER										SIGNAL				
		P1	P2	P3	P4	P5	P6	P7	P8	P9	P10	P11	1	2	3	
6450122-3	D C B A	PM	PM	PM	PM	PM	PM	PM	PM	PM	PM	J	J	J	HD	HD
11P + 12S		NO CONTACT LOADED														



PART NUMBER	ROWS	POWER														SIGNAL									
		P1	P2	P3	P4	P5	P6	P7	P8	P9	P10	P11	P12	P13	P14	1	2	3	4	5	6	7	8		
6450122-2	D C B A	PM	PM	PM	PM	PM	PM	PM	PM	PM	PM	PM	PM	PM	PM	J	J	J	J	J	J	J	J	HD	HD
14P + 32S																									



PART NUMBER	ROWS	POWER														SIGNAL							
		P1	P2	P3	P4	P5	P6	P7	P8	P9	P10	P11	P12	P13	P14	1	2	3	4	5	6		
6450122-6	D C B A	PM	PM	PM	PM	PM	PM	PM	PM	PM	PM	PM	PM	PM	PM	J	J	J	J	J	J	HD	HD
14P + 24S																							



Z	STD	.090	D
Y	STD	.090	C
R	STD	.090	B
O	STD	.090	A
H	MLBF	.135	A
J	STD	.135	D
K	STD	.135	C
N	STD	.135	B
S	STD	.135	A
CODE	MATING SEQUENCE	TAIL LENGTH	ROW

THIS DRAWING IS A CONTROLLED DOCUMENT.

OWN: R. GRZYBOWSKI 02FEB05  
CHK: M. PERCHERKE 02FEB05  
APVD: M. PERCHERKE

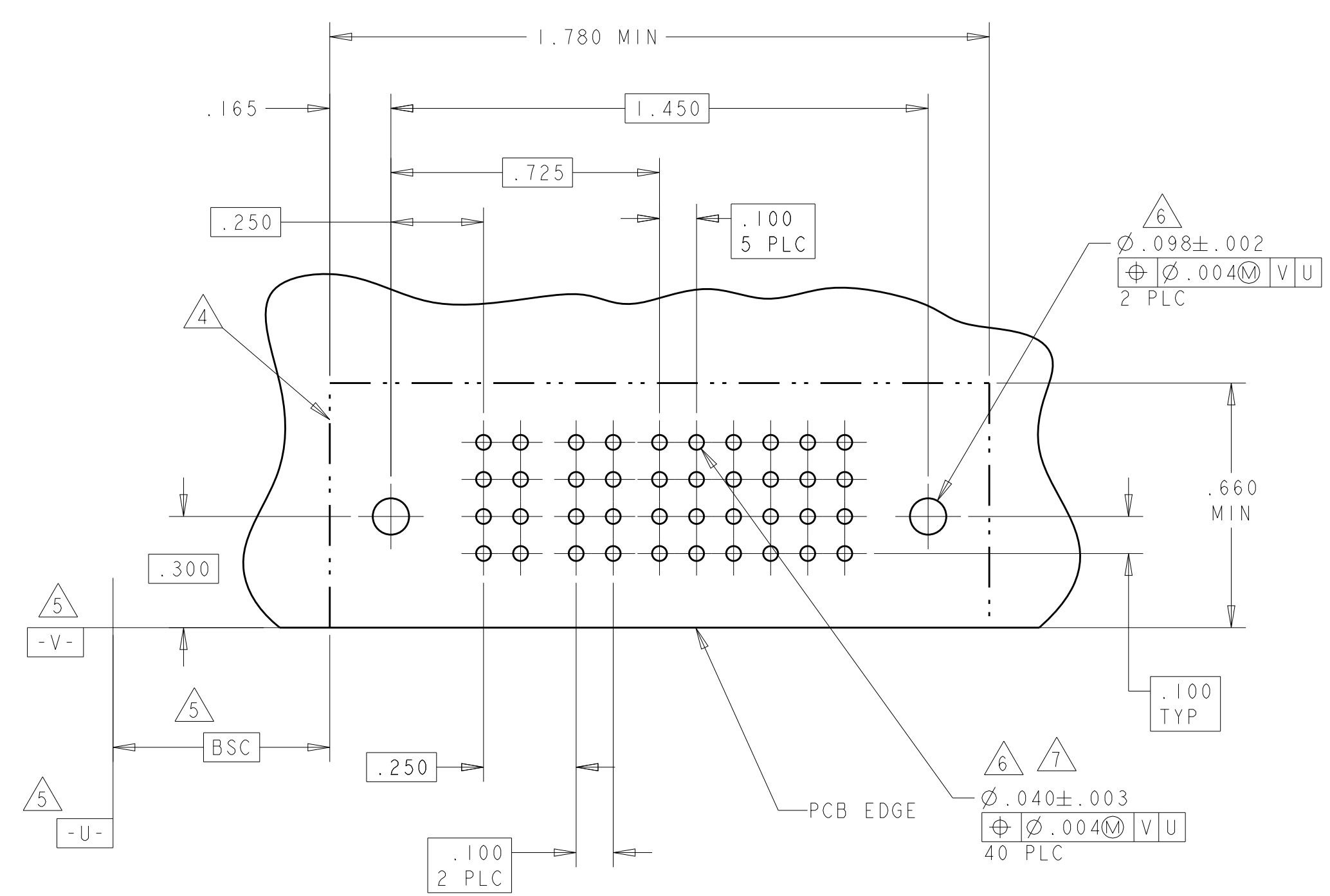
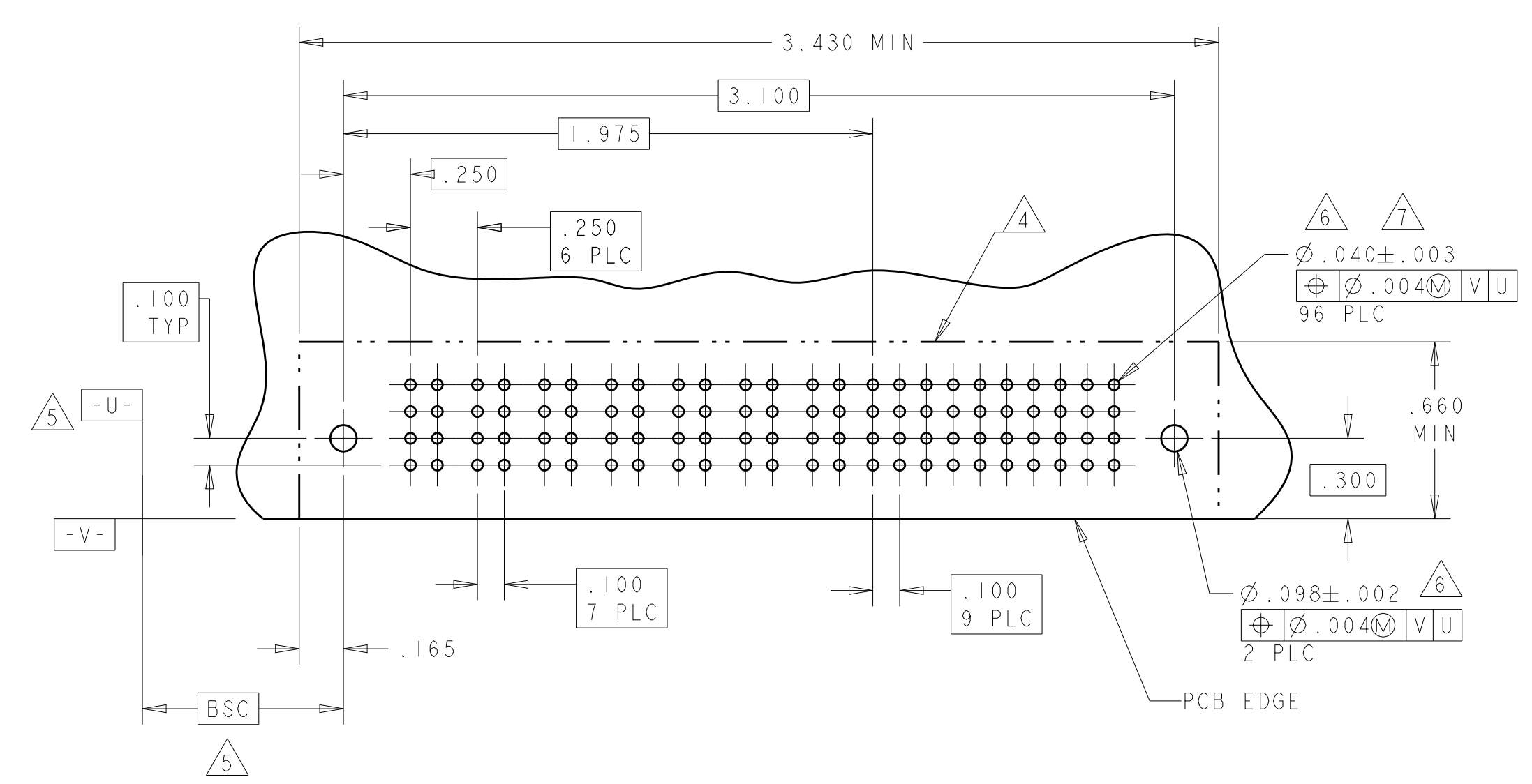
PRODUCT SPEC: 108-1973  
APPLICATION SPEC: 114-13038  
WEIGHT: A100779  
CAGE CODE: 6450122

TE Connectivity  
RIGHT ANGLE HEADER ASSY W/GUIDES MULTI-BEAM XL

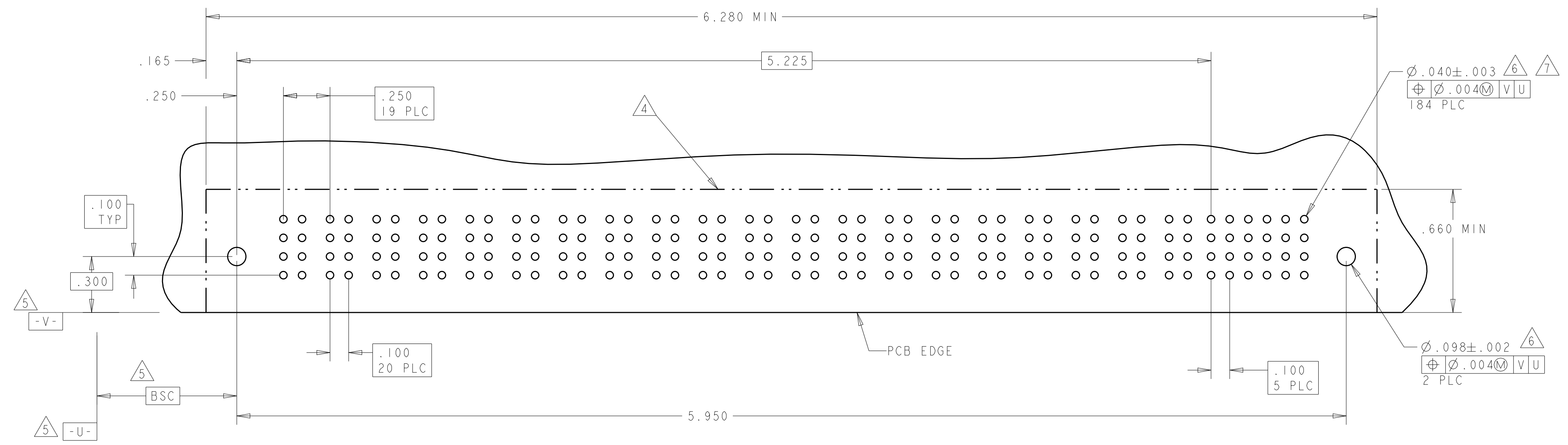
SCALE: 4:1 SHEET: 3 OF 10 REV: E9

PART NUMBER	ROWS	POWER							SIGNAL									
		P1	P2	P3	P4	P5	P6	P7	1	2	3	4	5	6	7	8	9	10
6450122-8	D C B A	PM	PM	PM	PM	PM	PM	PM	J	J	J	J	J	J	J	J	J	J
									K	K	K	K	K	K	K	K	K	K
									N	N	N	N	N	N	N	N	N	N
									S	S	S	S	S	S	S	S	S	S
7P + 40S																		

PART NUMBER	ROWS	POWER		SIGNAL					
		P1	P2	1	2	3	4	5	6
1-6450122-0	D C B A	PM	PM	J	J	J	J	J	J
				K	K	K	K	K	K
				N	N	N	N	N	N
				S	S	S	S	S	S
2P + 24S									



PART NUMBER	ROWS	POWER																				SIGNAL					
		P1	P2	P3	P4	P5	P6	P7	P8	P9	P10	P11	P12	P13	P14	P15	P16	P17	P18	P19	P20	1	2	3	4	5	6
1-6450122-1	D C B A	PM	PM	PM	PM	PM	PM	PM	PM	PM	PM	PM	PM	PM	PM	PM	PM	PM	PM	PM	PM	J	J	J	J	J	J
																						K	K	K	K	K	K
																						N	N	N	N	N	N
																						S	S	S	S	S	S
20P + 24S																											



THIS DRAWING IS A CONTROLLED DOCUMENT.

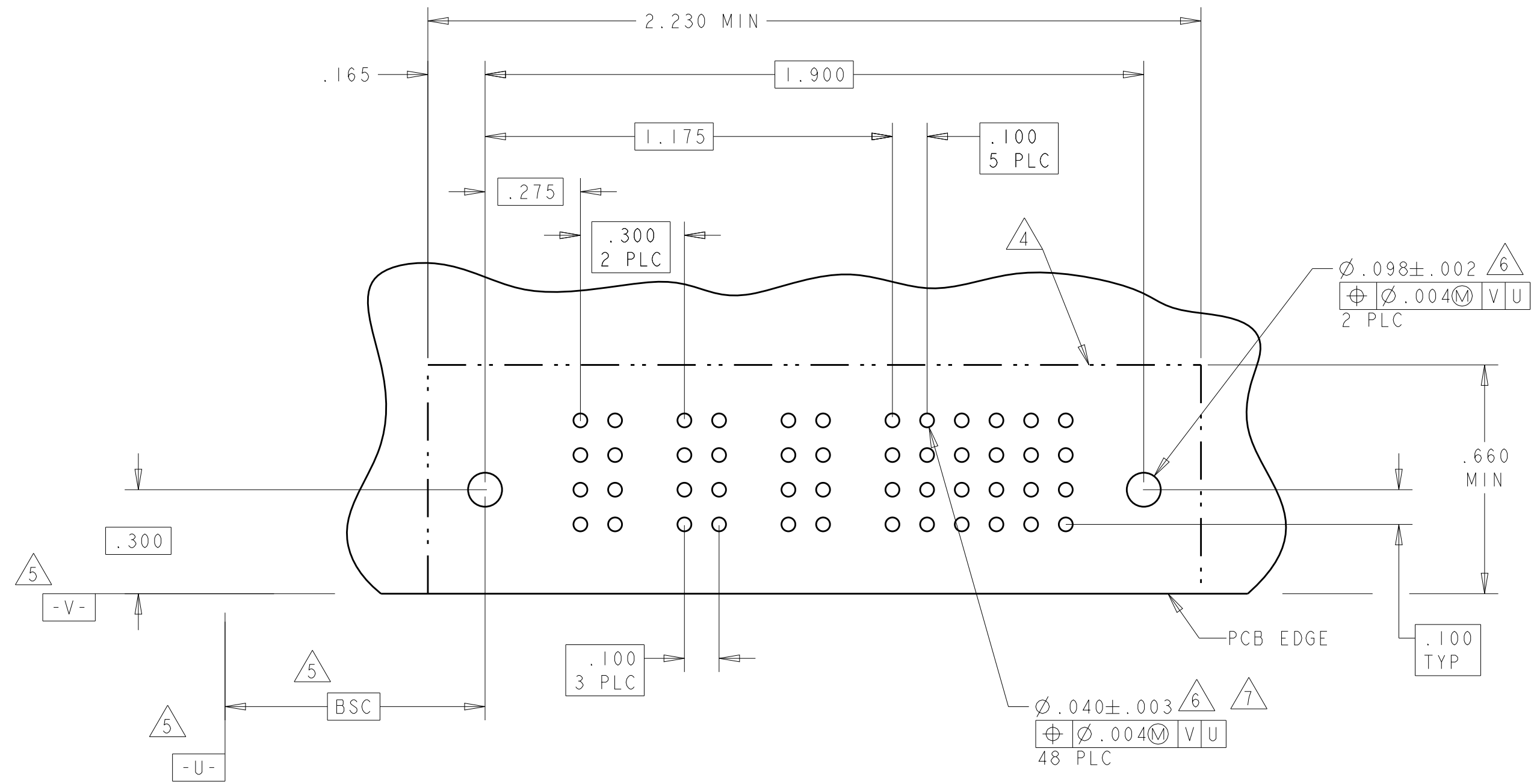
DIMENSIONS:	TOLERANCES UNLESS OTHERWISE SPECIFIED:	DWN: R. GRZYBOWSKI 02FEB05	CHK: M. PERCHERKE 02FEB05	APVD: M. PERCHERKE	NAME: M. PERCHERKE
INCHES	0 PLC ± .01 1 PLC ± .01 2 PLC ± .01 3 PLC ± .01 4 PLC ± .0020 ANGLES ± .2	PRODUCT SPEC: 108-1973	APPLICATION SPEC: 114-13038	WEIGHT: -	RESTRICTED TO: -
MATERIAL: -	FINISH: -	CUSTOMER DRAWING	SCALE: 4:1	SHEET: 4 OF 10	REV: E9

STE TE Connectivity  
 RIGHT ANGLE HEADER ASSY W/GUIDES MULTI-BEAM XL  
 SIZE: A100779 C=6450122

LOC	DIST	REVISONS			
P	LTM	DESCRIPTION	DATE	OWN	APVD
-	-	SEE SHEET 1	-	-	-

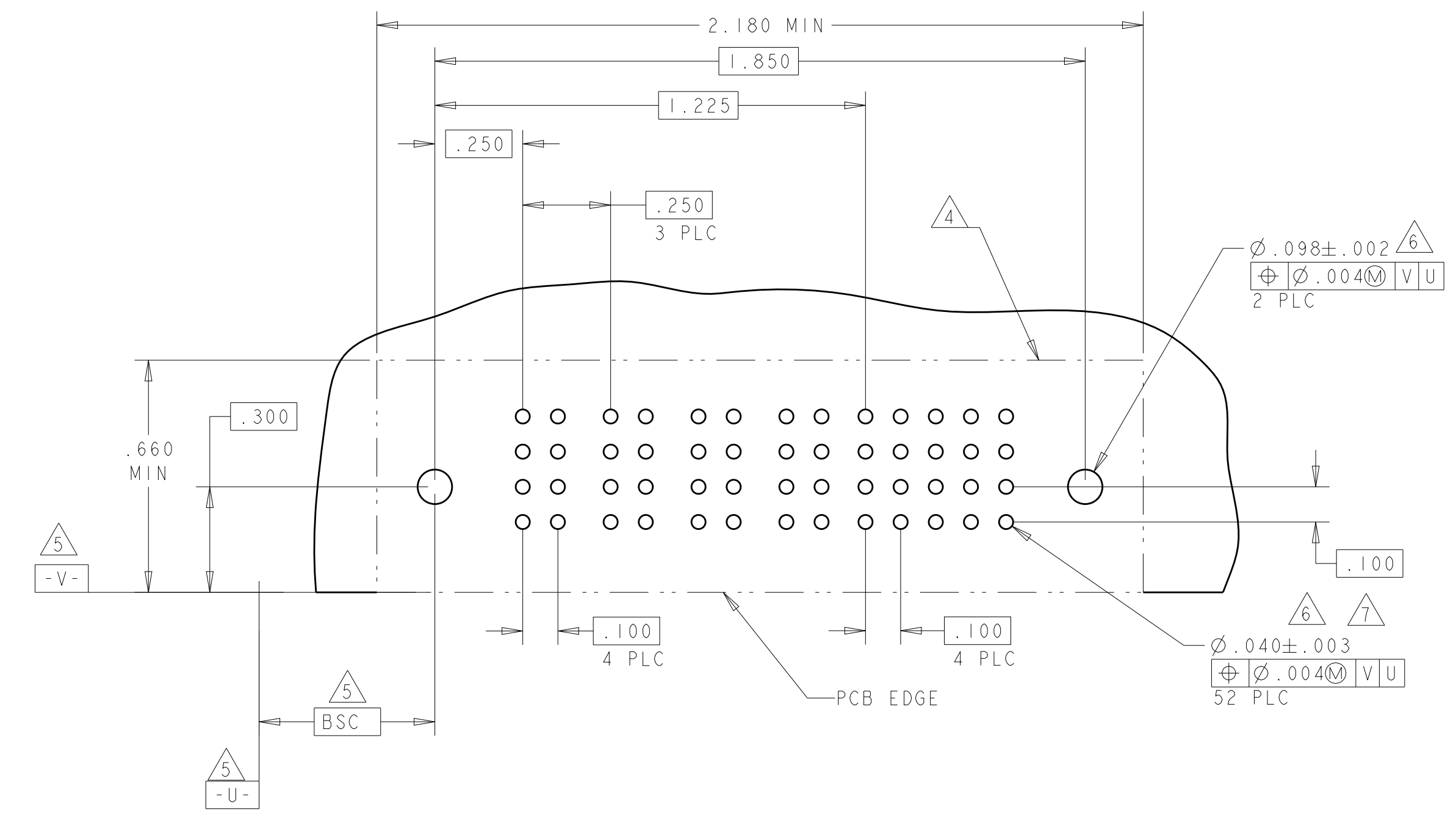
PART NUMBER	ROWS	POWER			SIGNAL					
		P1	P2	P3	1	2	3	4	5	6
1-6450122-2	D	PM	PM	PM	J	J	J	J	J	J
	C				K	K	K	K	K	K
	B				N	N	N	N	N	N
	A				S	S	S	S	S	S

3ACP + 24S



PART NUMBER	ROWS	POWER				SIGNAL				
		P1	P2	P3	P4	1	2	3	4	5
1-6450122-9	D	PM	PM	PM	PM	J	J	J	J	J
	C					K	K	K	K	K
	B					N	N	N	N	N
	A					S	S	S	S	S

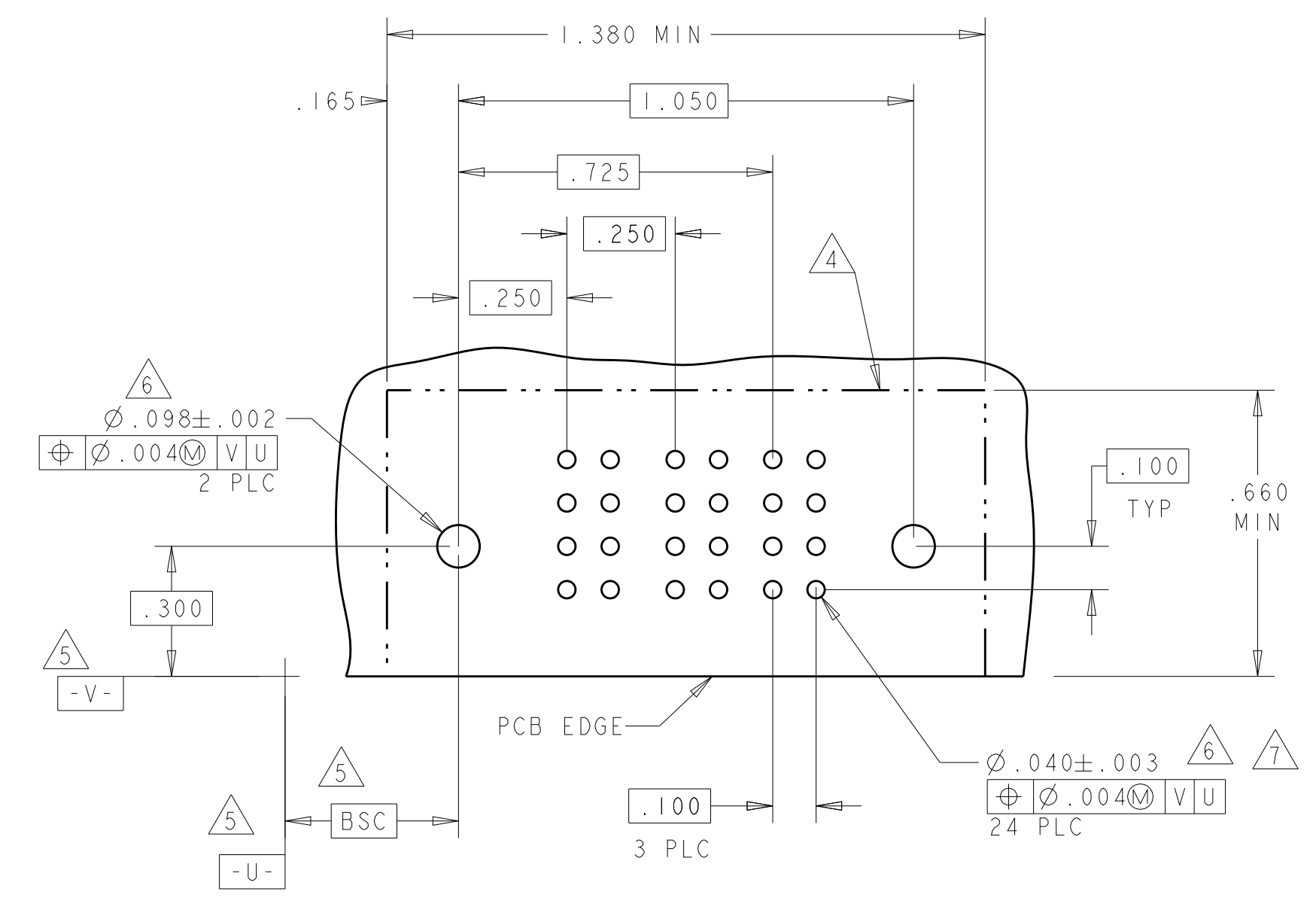
4P + 20S



NO CONTACTS LOADED

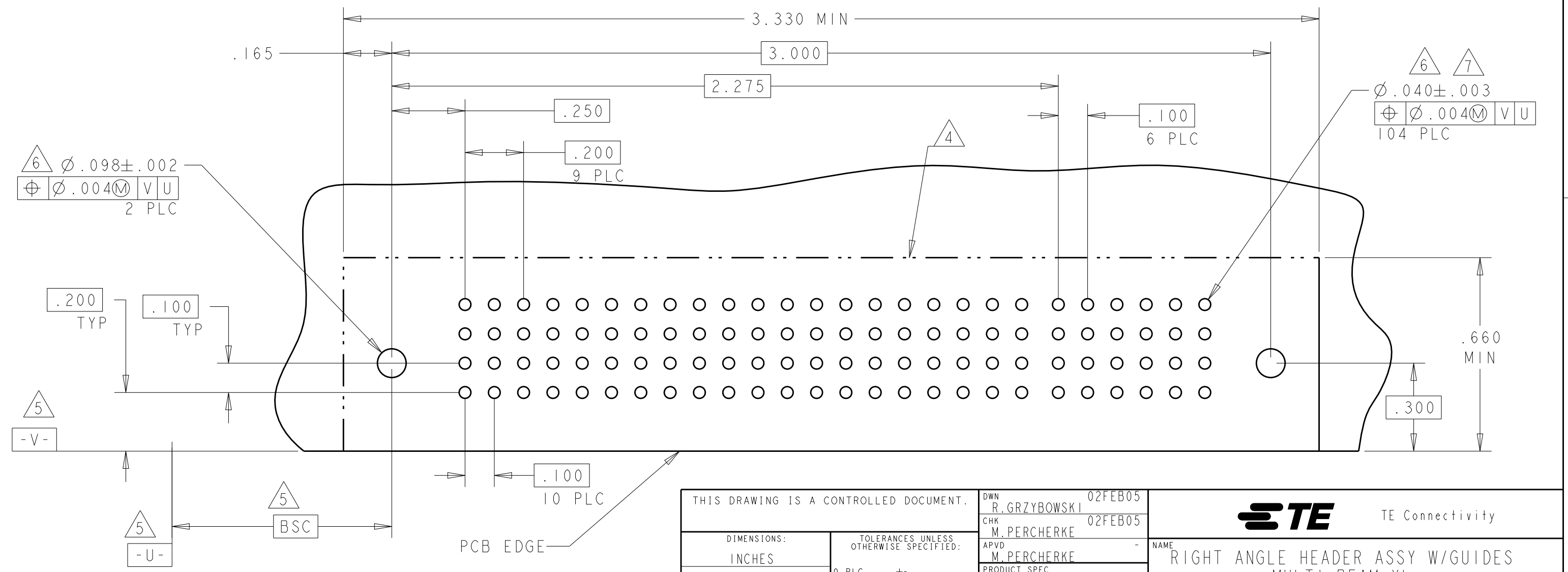
PART NUMBER	ROWS	POWER		SIGNAL	
		P1	P2	1	2
1-6450122-6	D	PM	PM	J	J
	C			K	K
	B			N	N
	A			S	S

2P + 8S



PART NUMBER	ROWS	POWER										SIGNAL												
		P1	P2	P3	P4	P5	P6	P7	P8	P9	P10	1	2	3	4	5	6							
2-6450122-0	D	PM	PM	PM	PM	PM	PM	PM	PM	PM	PM	PM	PM	PM	PM	PM	PM							
	C																	J	J	J	J	J	J	J
	B																	K	K	K	K	K	K	K
	A																	N	N	N	N	N	N	N

10P + 24S



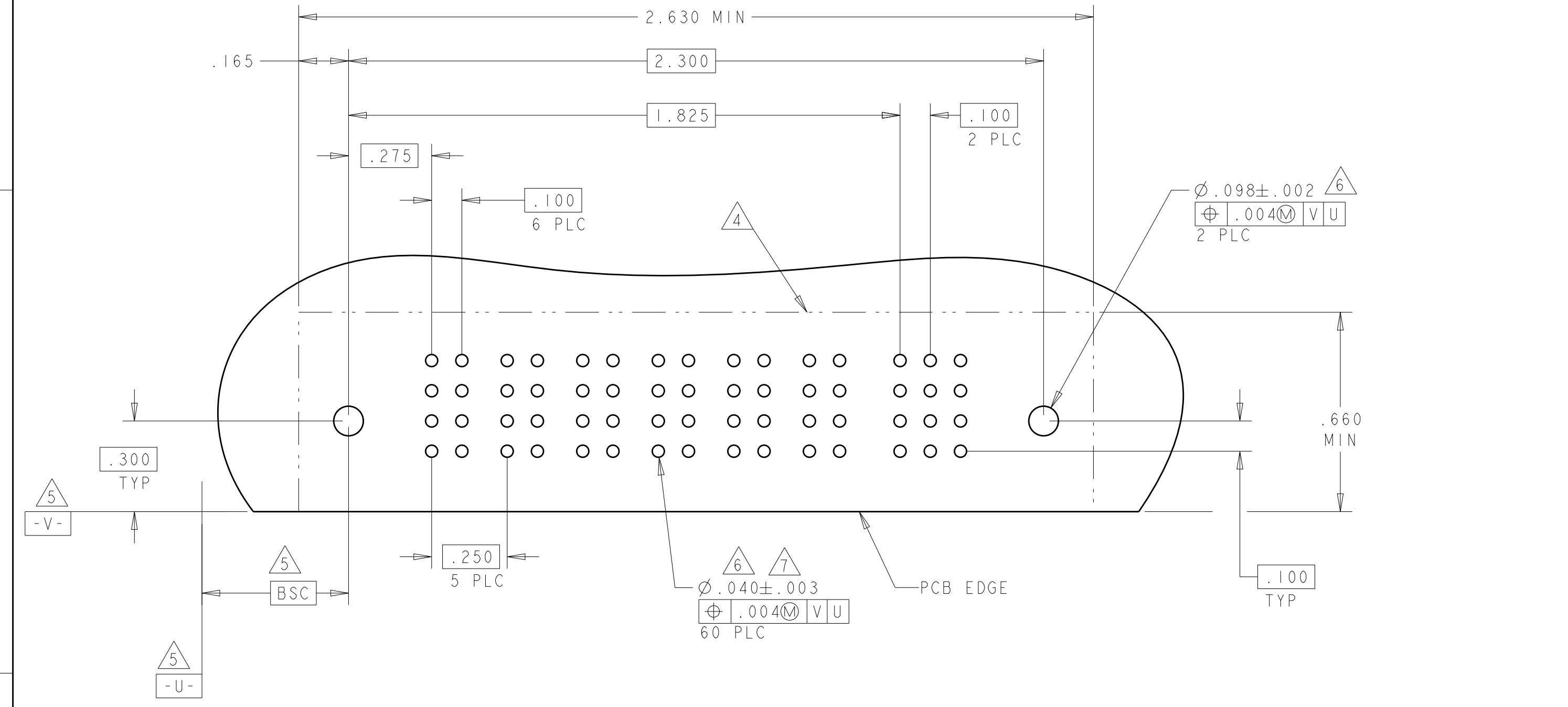
THIS DRAWING IS A CONTROLLED DOCUMENT.

DIMENSIONS:	TOLERANCES UNLESS OTHERWISE SPECIFIED:	OWN: R. GRZYBOWSKI 02FEB05	NAME: RIGHT ANGLE HEADER ASSY W/GUIDES MULTI-BEAM XL
INCHES:	0 PLC ±.01	CHK: M. PERCHERKE 02FEB05	TE Connectivity
	1 PLC ±.01	APVD: M. PERCHERKE	PRODUCT SPEC
	2 PLC ±.01		108-1973
	3 PLC ±.005		APPLICATION SPEC
	4 PLC ±.002		114-13038
	ANGLES ±.002		WEIGHT
MATERIAL:	FINISH:		SCALE: 4:1
			SHEET 5 OF 10
			REV: 9

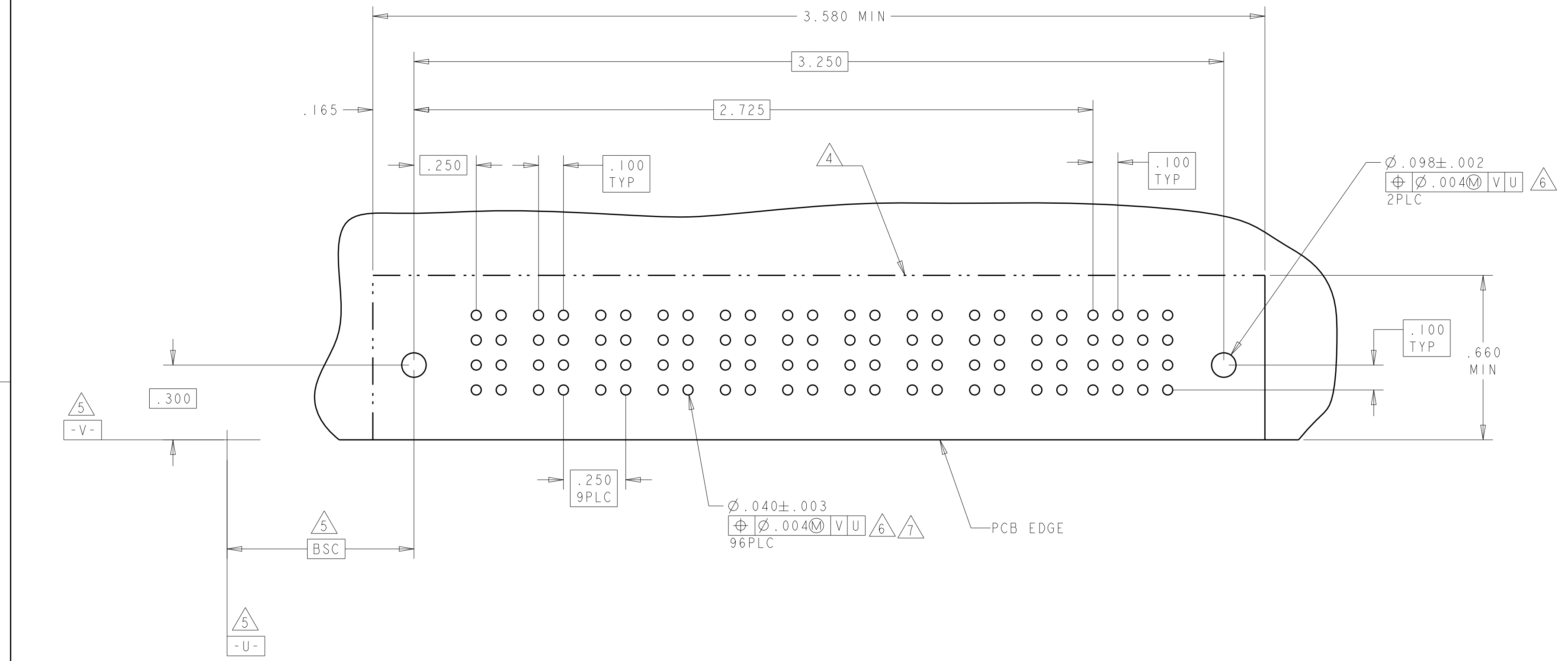
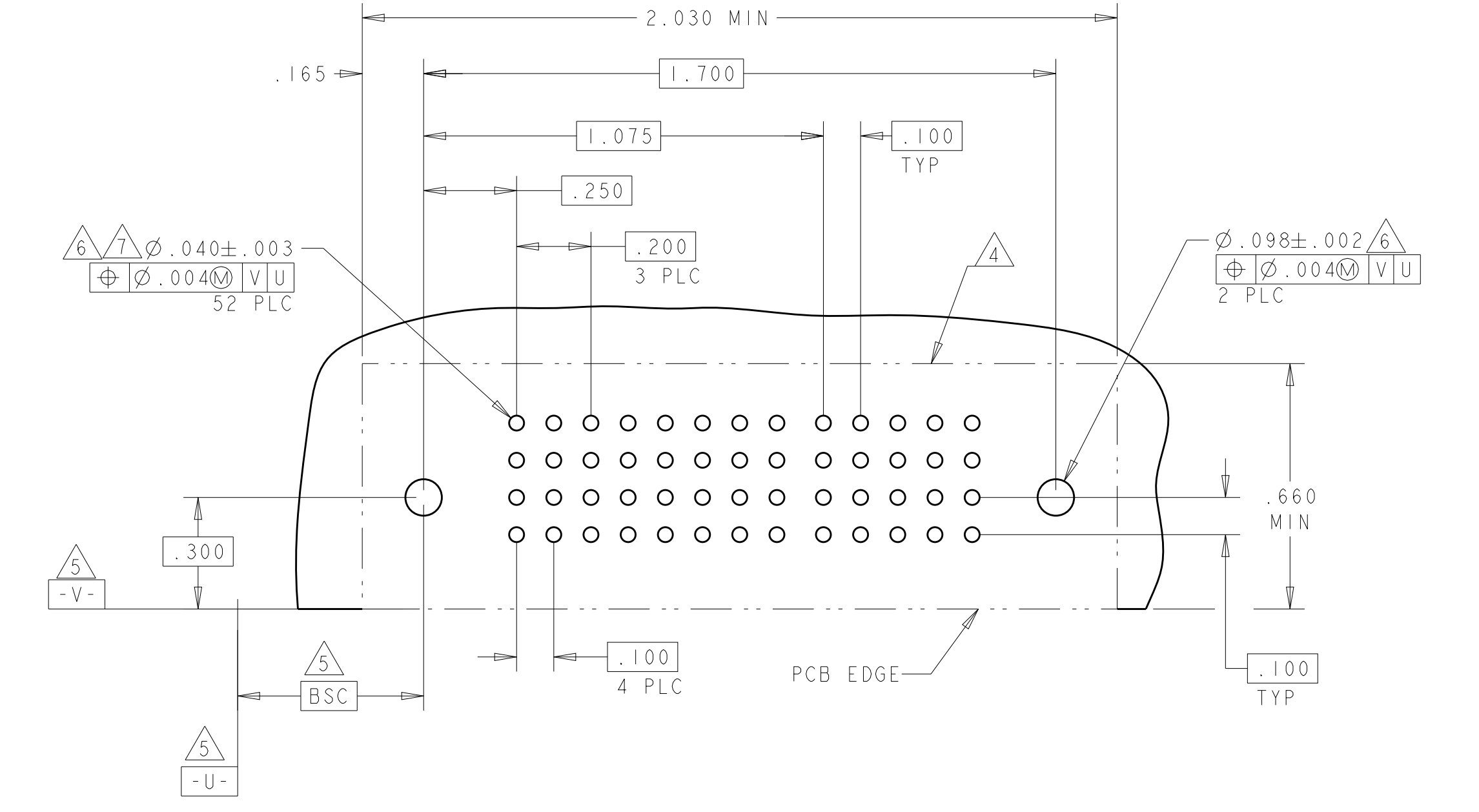
CUSTOMER DRAWING

LOC		DIST		REVISIONS			
GP	00	P	LTM	DESCRIPTION	DATE	OWN	APVD
				SEE SHEET 1			

PART NUMBER	ROWS	POWER						SIGNAL		
		P1	P2	P3	P4	P5	P6	1	2	3
1-6450122-7	D	PM	PM	PM	PM	PM	PM	J	J	J
	C							K	K	K
	B							N	N	N
	A							S	S	S
6P + 12S		HD		HD						



PART NUMBER	ROWS	POWER				SIGNAL				
		P1	P2	P3	P4	1	2	3	4	5
2-6450122-1	D	PM	PM	PM	PM	J	J	J	J	J
	C					K	K	K	K	
	B					N	N	N	N	
	A					H	H	H	H	
4P + 20S		HD		HD						



PART NUMBER	ROWS	POWER										SIGNAL			
		P1	P2	P3	P4	P5	P6	P7	P8	P9	P10	1	2	3	4
2-6450122-2	D	PM	PM	PM	PM	PM	PM	PM	PM	PM	PM	J	J	J	J
	C											K	K	K	K
	B											N	N	N	N
	A											S	S	S	S
10P + 16S		HD		HD											

THIS DRAWING IS A CONTROLLED DOCUMENT. OWN: R. GRZYBOWSKI 02FEB05, CHK: M. PERCHERKE 02FEB05, APVD: M. PERCHERKE.

DIMENSIONS: INCHES. TOLERANCES UNLESS OTHERWISE SPECIFIED: 0 PLC ±, 1 PLC ±.01, 2 PLC ±.01, 3 PLC ±.005, 4 PLC ±.0020, ANGLES ±.2.

MATERIAL: FINISH:

STE TE Connectivity  
 RIGHT ANGLE HEADER ASSY W/GUIDES MULTI-BEAM XL

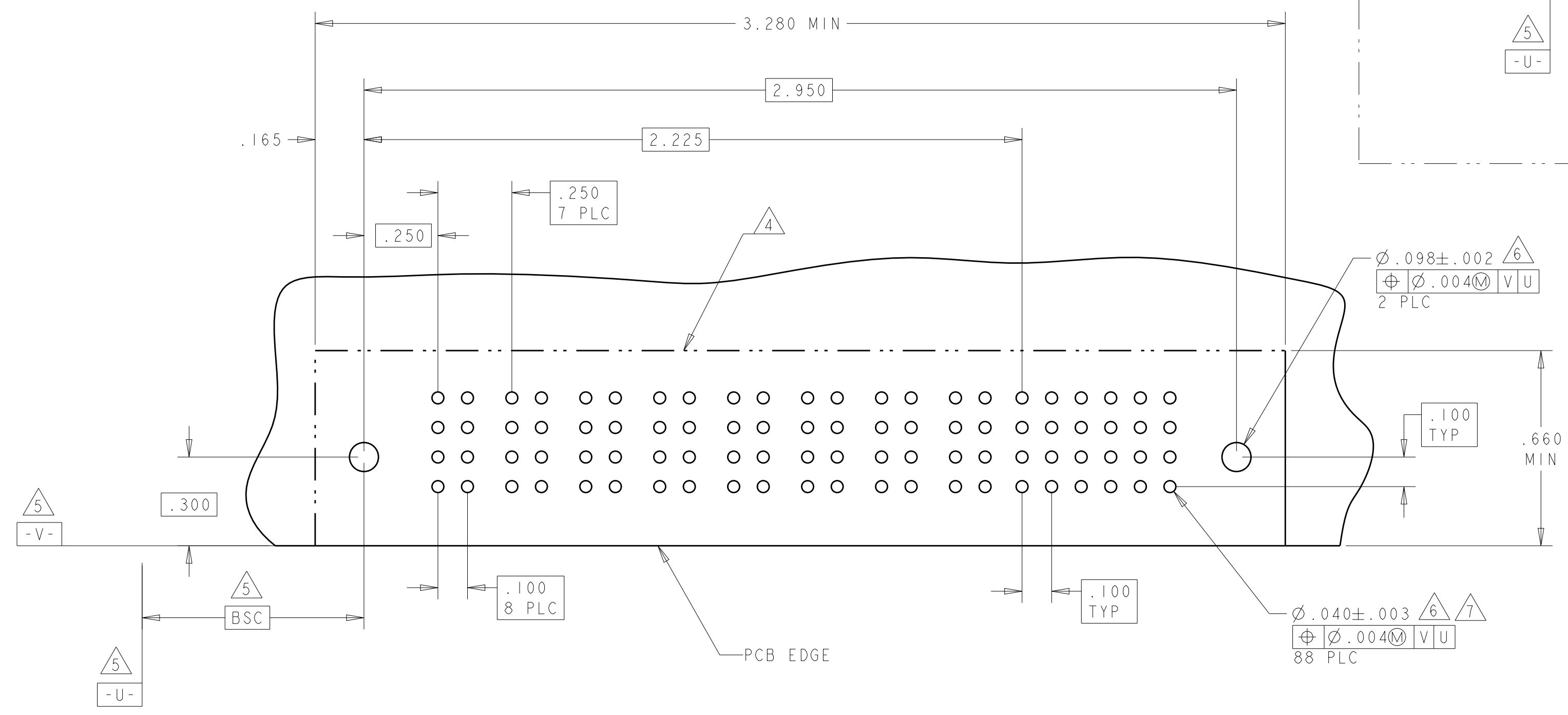
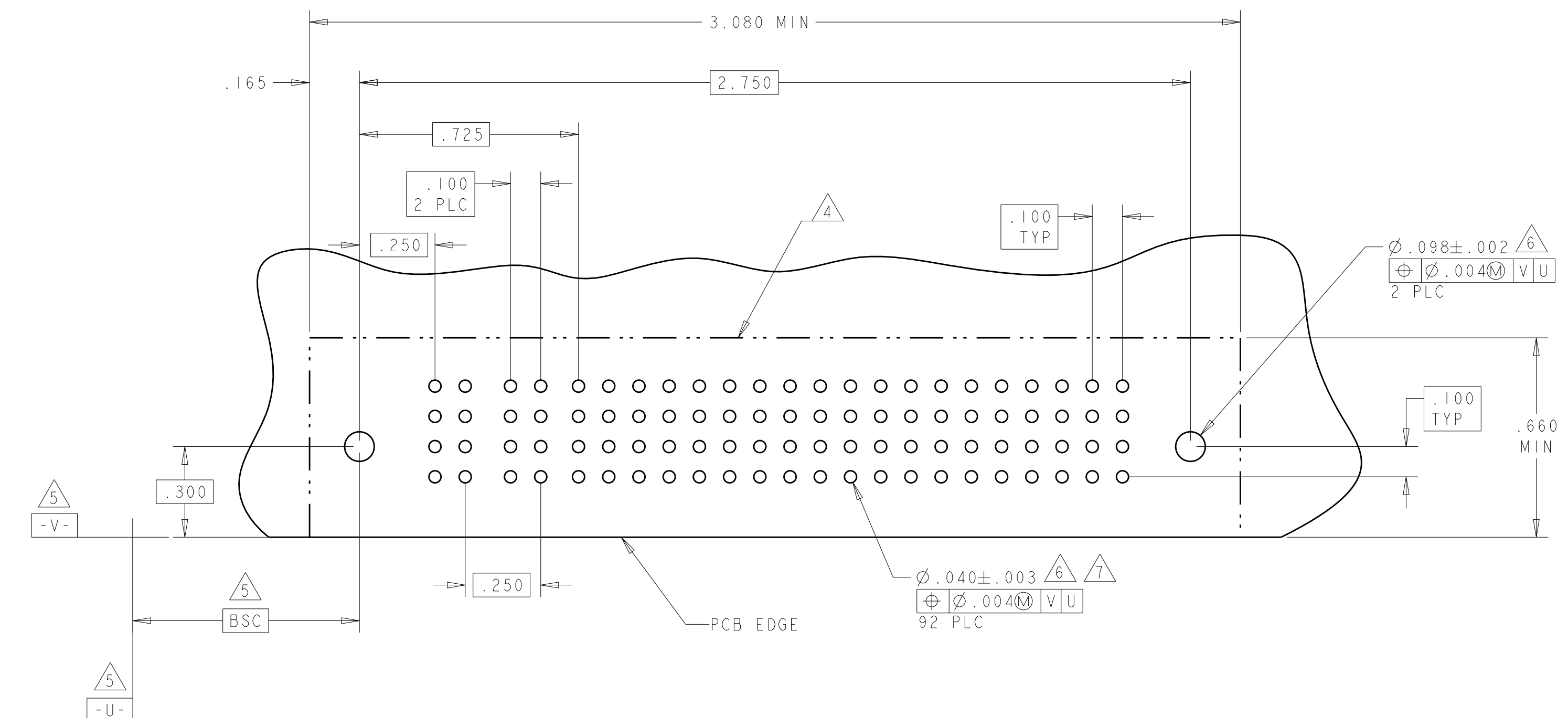
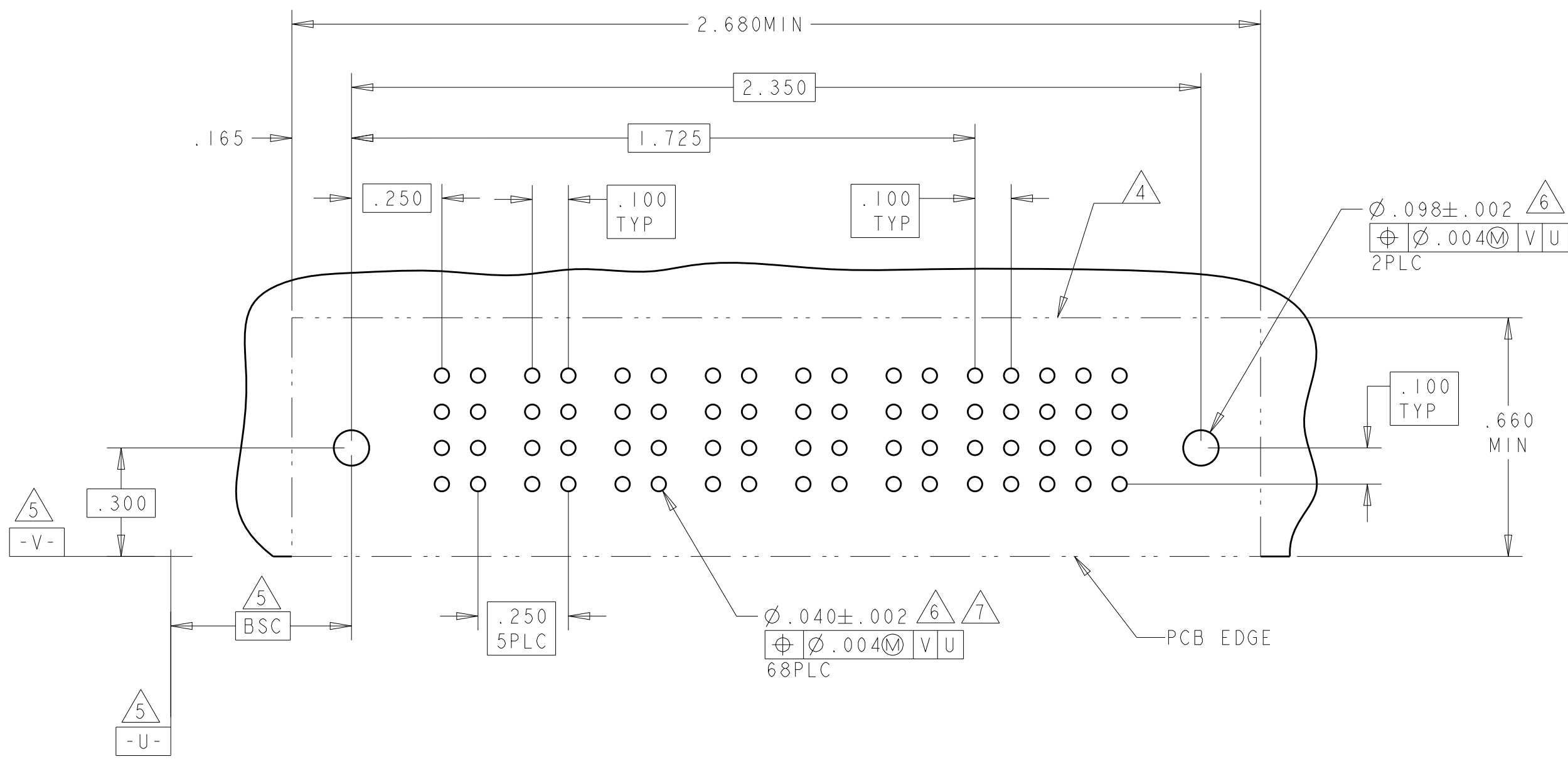
SIZE: CAGE CODE: DRAWING NO: A100779, DRAWING NO: 6450122, SHEET 6 OF 10, REV E9.

CUSTOMER DRAWING. SCALE: 4:1.

LOC	DIST	REV	DATE	BY	APPV
GP	00				
REVISIONS					
DESCRIPTION			DATE	BY	APPV
SEE SHEET 1					

PART NUMBER	ROWS	POWER						SIGNAL				
		P1	P2	P3	P4	P5	P6	1	2	3	4	5
2-6450122-3	D C B A	PM	PM	PM	PM	PM	PM	J	J	J	J	J
								K	K	K	K	K
								N	N	N	N	N
6P + 20S												

PART NUMBER	ROWS	POWER		SIGNAL																				
		P1	P2	1	2	3	4	5	6	7	8	9	10	11	12	13	14	15	16	17	18	19		
2-6450122-4	D C B A	PA	PA	Z	Z	Z	Z	Z	Z	Z	Z	Z	Z	Z	Z	Z	Z	Z	Z	Z	Z	Z		
				Y	Y	Y	Y	Y	Y	Y	Y	Y	Y	Y	Y	Y	Y	Y	Y	Y	Y	Y	Y	Y
				R	R	R	R	R	R	R	R	R	R	R	R	R	R	R	R	R	R	R	R	R
2P + 76S																								



PART NUMBER	ROWS	POWER								SIGNAL					
		P1	P2	P3	P4	P5	P6	P7	P8	1	2	3	4	5	6
2-6450122-5	D C B A	PM	PM	PM	PM	PM	PM	PM	PM	J	J	J	J	J	J
										K	K	K	K	K	K
										N	N	N	N	N	N
8P + 24S															

THIS DRAWING IS A CONTROLLED DOCUMENT.

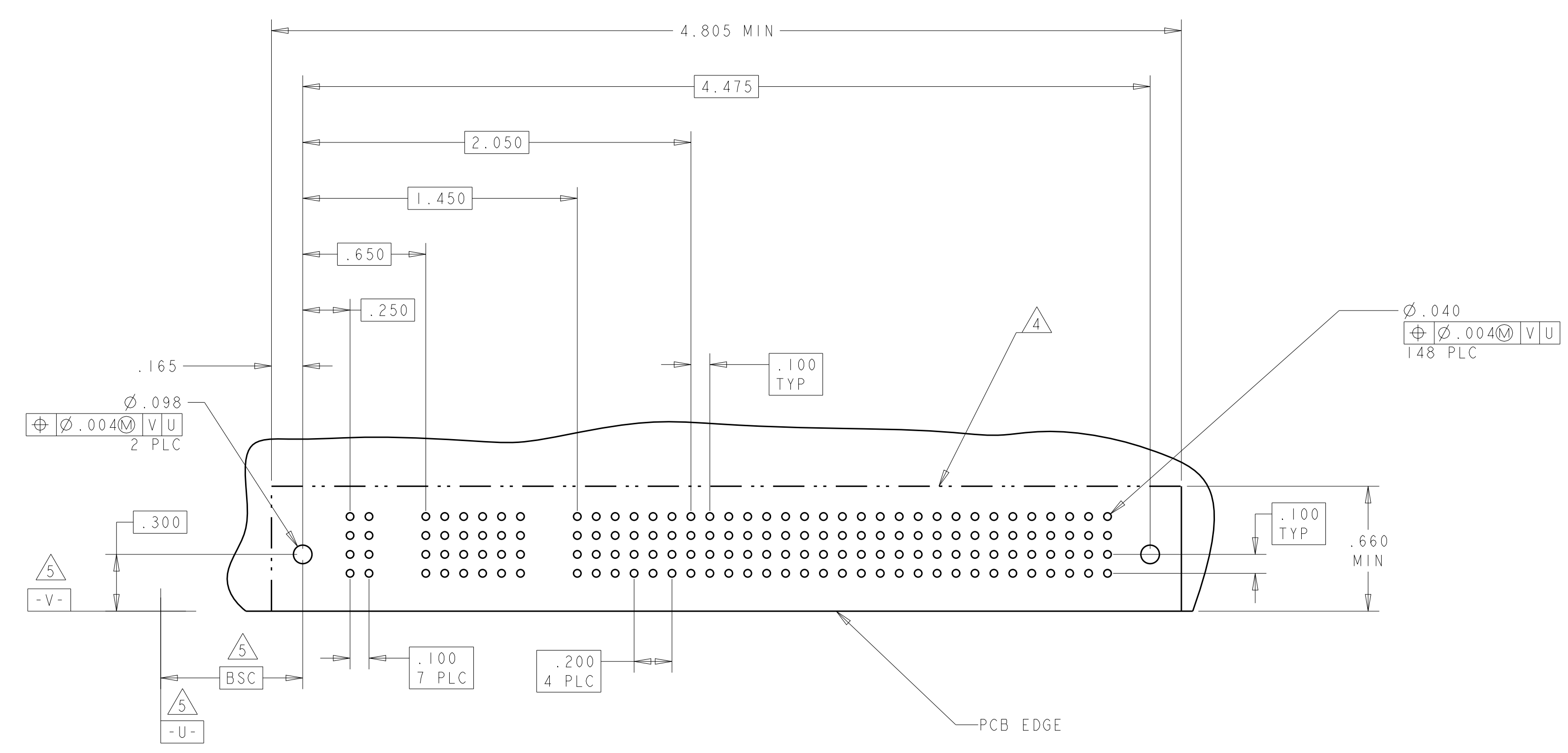
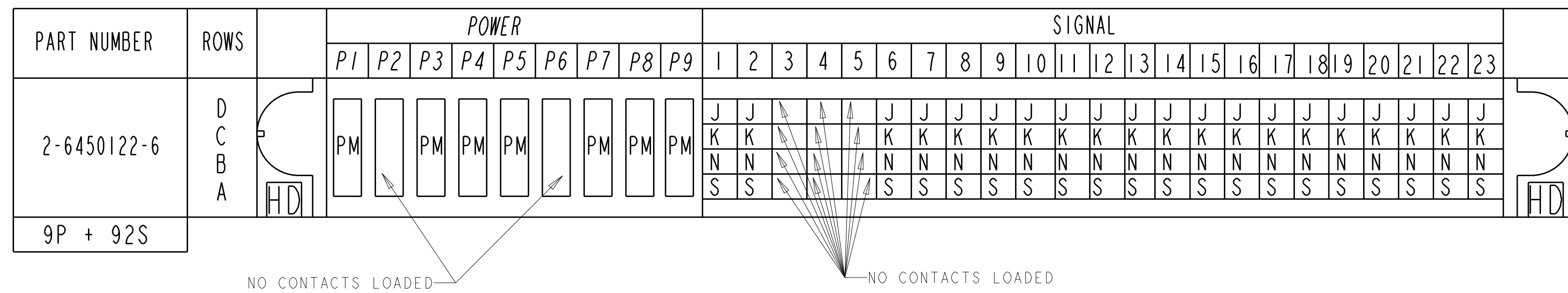
OWN: R. GRZYBOWSKI 02FEB05  
 CHK: M. PERCHERKE 02FEB05  
 APVD: M. PERCHERKE

TE Connectivity

RIGHT ANGLE HEADER ASSY W/GUIDES MULTI-BEAM XL

SCALE: 4:1 SHEET 7 OF 10 REV: E9

LOC	DIST	REVISIONS			
P	LTN	DESCRIPTION	DATE	DWN	APVD
-	-	SEE SHEET 1	-	-	-



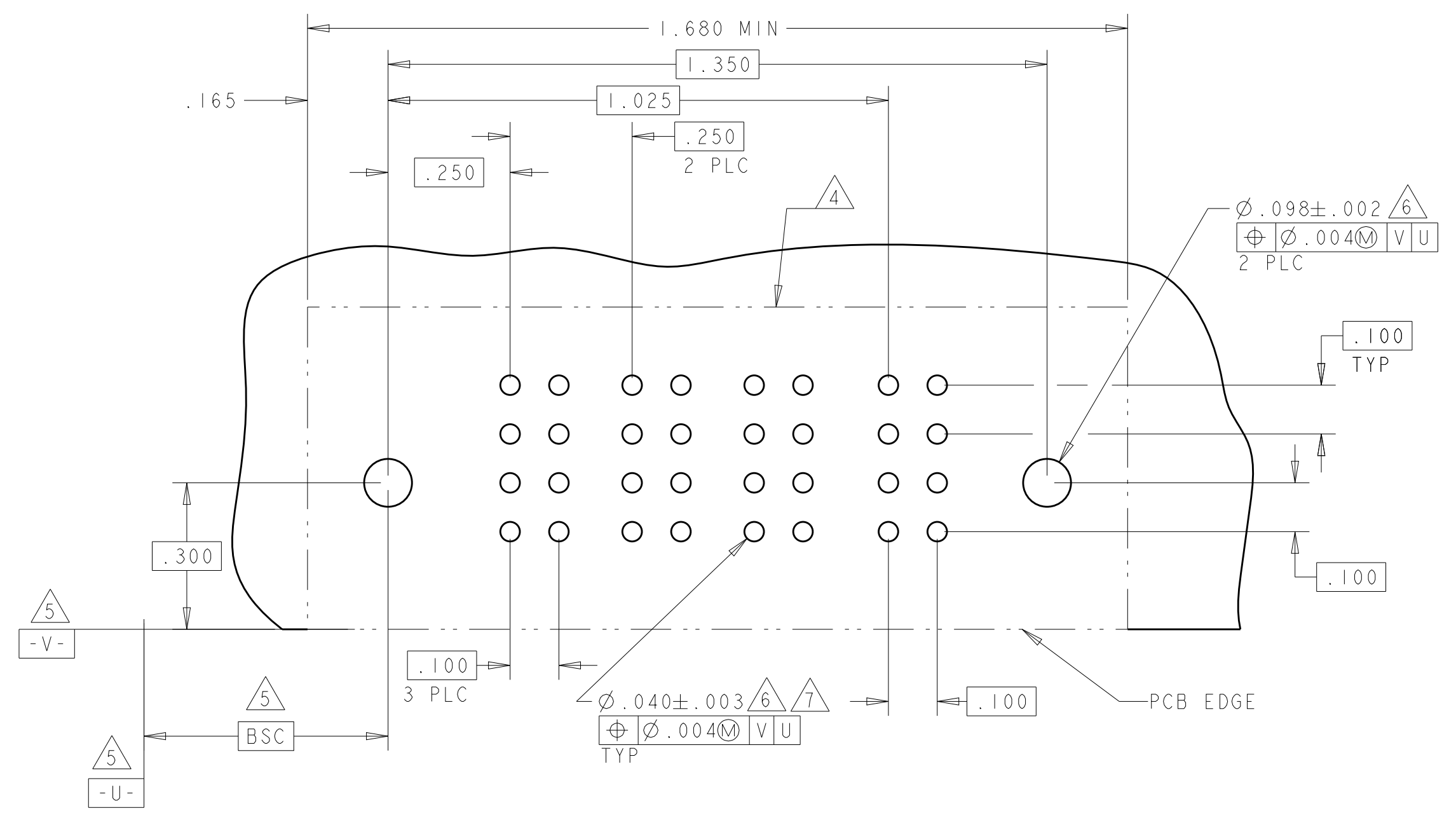
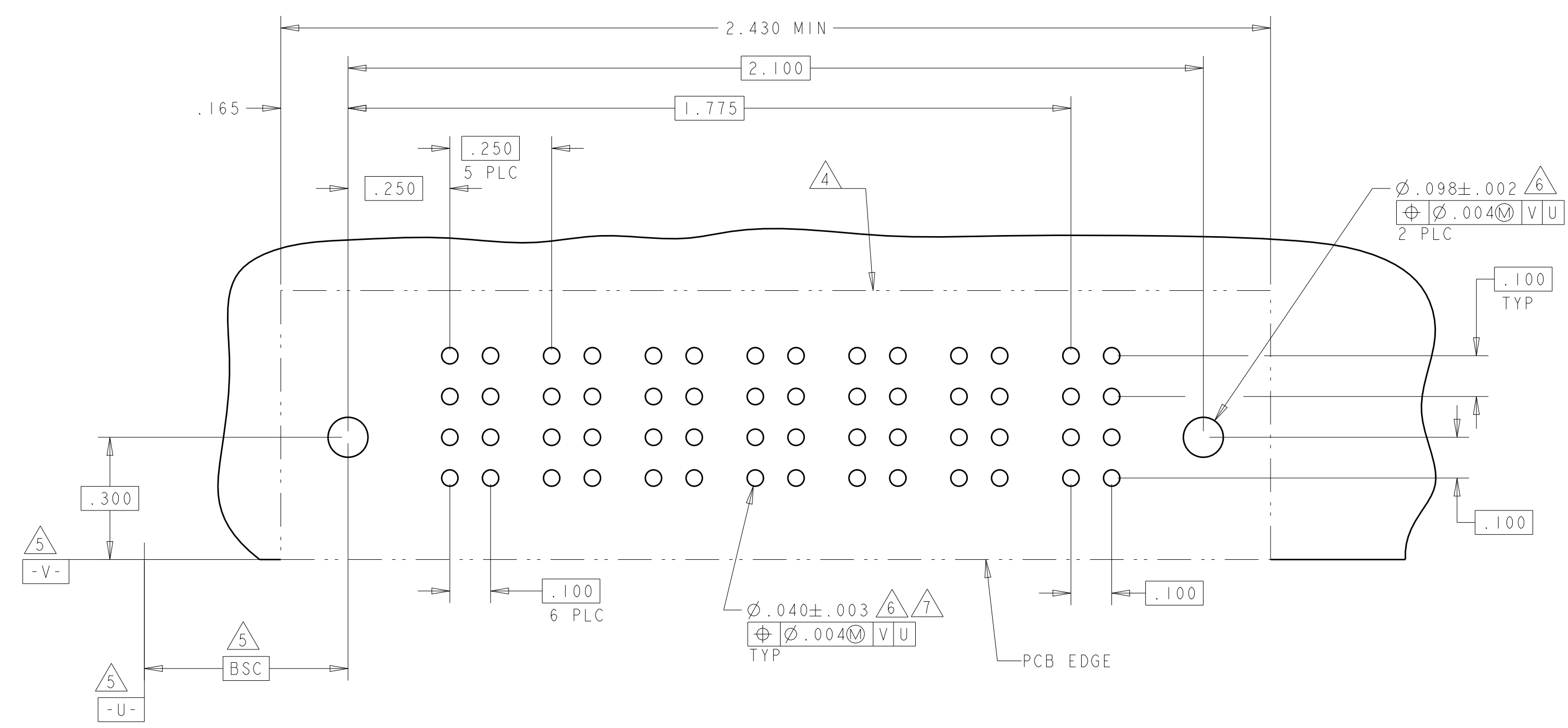
THIS DRAWING IS A CONTROLLED DOCUMENT.		DWN	R. GRZYBOWSKI	02FEB05	TE Connectivity
DIMENSIONS: INCHES		CHK	M. PERCHERKE	02FEB05	
TOLERANCES UNLESS OTHERWISE SPECIFIED: 0 PLC ±. 1 PLC ±.01 2 PLC ±.01 3 PLC ±.005 4 PLC ±.0020 ANGLES ±.2		APVD	M. PERCHERKE		NAME
		PRODUCT SPEC		RIGHT ANGLE HEADER ASSY W/GUIDES MULTI-BEAM XL	
MATERIAL		APPLICATION SPEC		SIZE	
FINISH		114-13038		CAGE CODE	
		WEIGHT		DRAWING NO	
		CUSTOMER DRAWING		A100779	
		SCALE		SHEET	
		4:1		8 OF 10	
				REV	
				E9	



LOC	DIST	REVISONS					
GP	00	P	LTN	DESCRIPTION	DATE	DWN	APVD
		-		SEE SHEET 1			

PART NUMBER	ROWS	POWER						SIGNAL	
		P1	P2	P3	P4	P5	P6	1	2
2-6450122-7	D C B A	PM	PM	PM	PM	PM	PM	J K N S	J K N S
6P + 8S									

PART NUMBER	ROWS	POWER			SIGNAL	
		P1	P2	P3	1	2
2-6450122-8	D C B A	PM	PM	PM	J K N S	J K N S
3P + 8S						



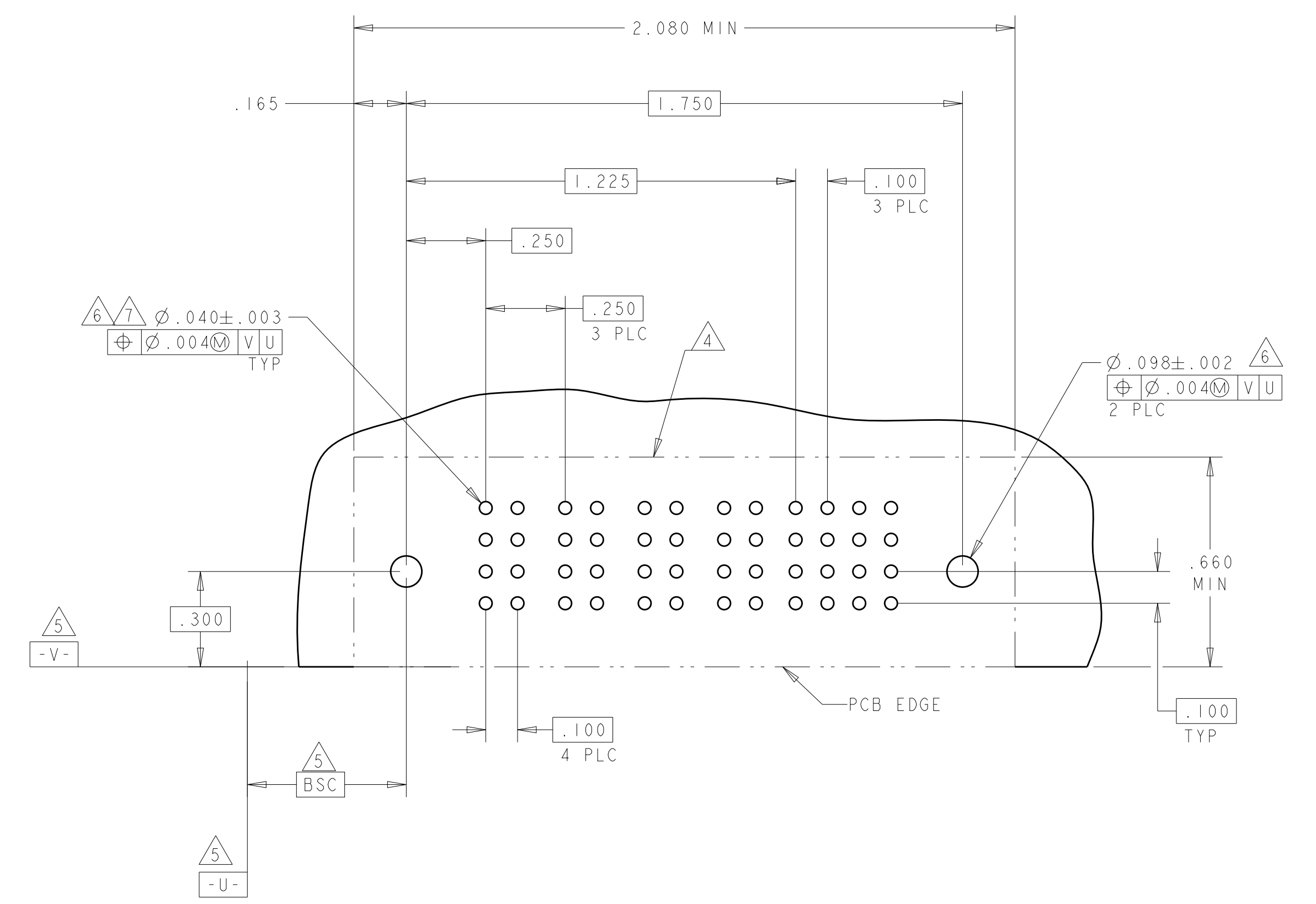
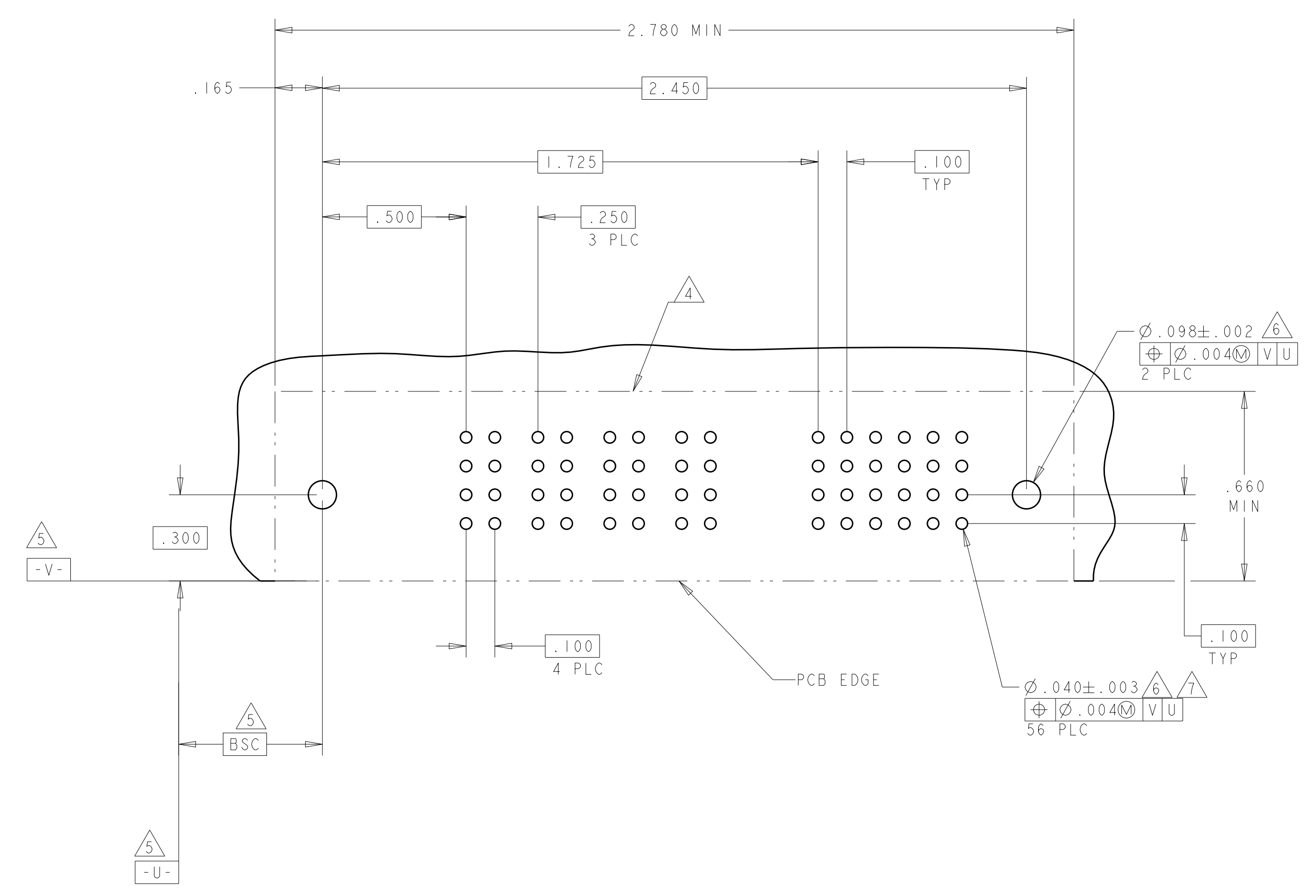
THIS DRAWING IS A CONTROLLED DOCUMENT.		DWN: R. GRZYBOWSKI 02FEB05	TE Connectivity
DIMENSIONS: INCHES		CHK: M. PERCHERKE 02FEB05	
TOLERANCES UNLESS OTHERWISE SPECIFIED: 0 PLC ±. 1 PLC ±.01 2 PLC ±.01 3 PLC ±.005 4 PLC ±.0020 ANGLES ±.020		APVD: M. PERCHERKE	NAME: RIGHT ANGLE HEADER ASSY W/GUIDES MULTI-BEAM XL
MATERIAL: -		PRODUCT SPEC: 108-1973	SIZE: 114-13038
FINISH: -		APPLICATION SPEC: 114-13038	RESTRICTED TO: -
		WEIGHT: -	SCALE: 4:1
		CUSTOMER DRAWING	SHEET 9 OF 10

LOC	DIST	REV	DATE	BY	APPV
GP	00				
REVISIONS					
DESCRIPTION					
- SEE SHEET 1					

PART NUMBER	ROWS	POWER						SIGNAL					
		P1	P2	P3	P4	P5	P6	1	2	3	4	5	6
2-6450122-9	D	HD	PM	PM	PM	PM	J	J	J	J	J	J	
	C						K	K	K	K	K	K	
	B						N	N	N	N	N	N	
A	S	S	S	S	S	S							
6P + 24S													

NO CONTACTS LOADED

PART NUMBER	ROWS	POWER				SIGNAL						
		P1	P2	P3	P4	1	2	3	4			
3-6450122-0	D	HD	PM	PM	PM	PM	J	J	J	J		
	C						K	K	K	K		
	B						N	N	N	N		
A	S	S	S	S								
4P + 16S												



THIS DRAWING IS A CONTROLLED DOCUMENT.		OWN: R. GRZYBOWSKI 02FEB05	 TE Connectivity
DIMENSIONS: INCHES		CHK: M. PERCHERKE 02FEB05	
TOLERANCES UNLESS OTHERWISE SPECIFIED:		APVD: M. PERCHERKE	NAME: RIGHT ANGLE HEADER ASSY W/GUIDES MULTI-BEAM XL
0 PLC ± .01	1 PLC ± .01	PRODUCT SPEC: 108-1973	SIZE: A1
2 PLC ± .01	3 PLC ± .005	APPLICATION SPEC: 114-13038	CAGE CODE: C=6450122
4 PLC ± .0020	ANGLES ± .2	WEIGHT: -	RESTRICTED TO: -
MATERIAL: -	FINISH: -	CUSTOMER DRAWING	SCALE: 4:1 SHEET 10 OF 10 REV: E9

Компания «Life Electronics» занимается поставками электронных компонентов импортного и отечественного производства от производителей и со складов крупных дистрибьюторов Европы, Америки и Азии.

С конца 2013 года компания активно расширяет линейку поставок компонентов по направлению коаксиальный кабель, кварцевые генераторы и конденсаторы (керамические, пленочные, электролитические), за счёт заключения дистрибьюторских договоров

Мы предлагаем:

- Конкурентоспособные цены и скидки постоянным клиентам.
- Специальные условия для постоянных клиентов.
- Подбор аналогов.
- Поставку компонентов в любых объемах, удовлетворяющих вашим потребностям.
- Приемлемые сроки поставки, возможна ускоренная поставка.
- Доставку товара в любую точку России и стран СНГ.
- Комплексную поставку.
- Работу по проектам и поставку образцов.
- Формирование склада под заказчика.
- Сертификаты соответствия на поставляемую продукцию (по желанию клиента).
- Тестирование поставляемой продукции.
- Поставку компонентов, требующих военную и космическую приемку.
- Входной контроль качества.
- Наличие сертификата ISO.

В составе нашей компании организован Конструкторский отдел, призванный помогать разработчикам, и инженерам.

Конструкторский отдел помогает осуществить:

- Регистрацию проекта у производителя компонентов.
- Техническую поддержку проекта.
- Защиту от снятия компонента с производства.
- Оценку стоимости проекта по компонентам.
- Изготовление тестовой платы монтаж и пусконаладочные работы.



Тел: +7 (812) 336 43 04 (многоканальный)

Email: [org@lifeelectronics.ru](mailto:org@lifeelectronics.ru)