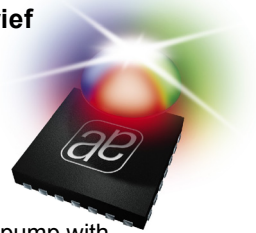


AS3665

ProductBrief

9 Channel Advanced Command Driven RGB/White LED Driver



1 General Description

The AS3665 is a capacitive low noise charge pump with 9 current sources. The charge pump automatically switches between 1:1 and 1:1.5 modes. The connected current sources have a very low voltage compliance to improve efficiency of the whole system. Three current sources have the possibility to operate either from VBAT or VCP (especially useful for red LEDs).

The internal control is done by command based pattern generators implemented by three sequencers. These commands are optimized for lighting applications (e.g. ramp up brightness logarithmically). It includes high level commands like conditionals jumps and variables. Any of the three sequencers can be dynamically mapped to any of the 9 PWM generators for the LEDs.

The AS3665 supports an audio input and sophisticated light patterns can be controlled by internal digital filters.

The AS3665 is controlled by I²C mode. Synchronization over several AS3665 is possible by the TRIG pin.

The AS3665 is available in a space-saving WL-CSP-25 (2.5x2.5mm) 0.5mm pitch and operates over the -30°C to +85°C temperature range.

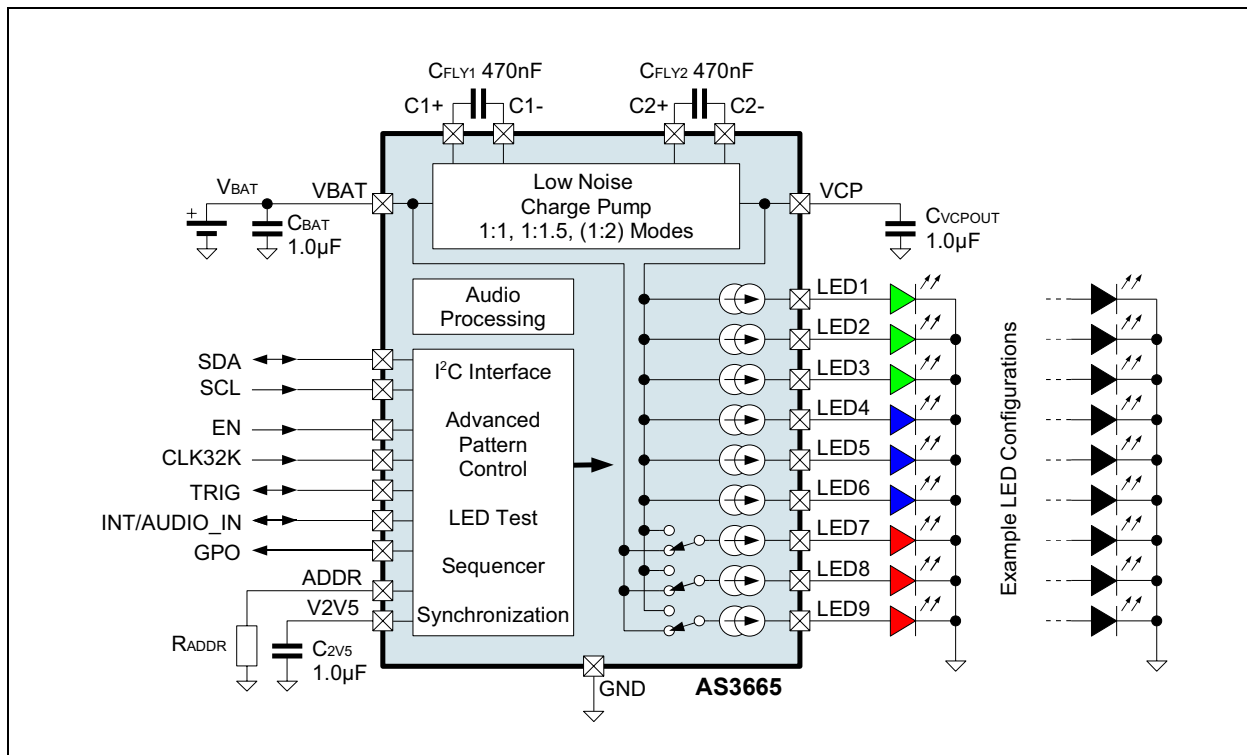
2 Key Features

- High efficiency capacitive 150mA charge pump with 1:1, 1:1.5 and 1:2 modes with automatic mode switching; 1:2 mode can be disabled
- 9 Channel High Side 20mA Current sources
 - Less than 50mV at 10mA dropout voltage
 - LED7,8,9 either powered by VBAT or VCP
- Advanced Command based Pattern Generator
 - 96 x 16 bits program memory
 - Dedicated lighting commands like logarithmic fade
 - Programming control and conditional jumps
- Audio Controlled Lighting with internal digital filters
- 3 Sequencers
 - Dynamically mapped to 9 PWM generators
 - Internal/External Synchronization
- 9 PWM generators (12 bit resolution)
 - Automatic RGB Color Correction by TAMB
- I²C interface with dedicated EN pin
- Available in WL-CSP-25 (2.5x2.5mm) 0.5mm pitch

3 Applications

RGB/White Fun or Event LED for mobile phones or portable devices; Lighting Management Unit

Figure 1. Typical Operating Circuit



Copyrights

Copyright © 1997-2009, austriamicrosystems AG, Schloss Premstaetten, 8141 Unterpremstaetten, Austria-Europe. Trademarks Registered ®. All rights reserved. The material herein may not be reproduced, adapted, merged, translated, stored, or used without the prior written consent of the copyright owner.

All products and companies mentioned are trademarks or registered trademarks of their respective companies.

Disclaimer

Devices sold by austriamicrosystems AG are covered by the warranty and patent indemnification provisions appearing in its Term of Sale. austriamicrosystems AG makes no warranty, express, statutory, implied, or by description regarding the information set forth herein or regarding the freedom of the described devices from patent infringement. austriamicrosystems AG reserves the right to change specifications and prices at any time and without notice. Therefore, prior to designing this product into a system, it is necessary to check with austriamicrosystems AG for current information. This product is intended for use in normal commercial applications. Applications requiring extended temperature range, unusual environmental requirements, or high reliability applications, such as military, medical life-support or life-sustaining equipment are specifically not recommended without additional processing by austriamicrosystems AG for each application. For shipments of less than 100 parts the manufacturing flow might show deviations from the standard production flow, such as test flow or test location.

The information furnished here by austriamicrosystems AG is believed to be correct and accurate. However, austriamicrosystems AG shall not be liable to recipient or any third party for any damages, including but not limited to personal injury, property damage, loss of profits, loss of use, interruption of business or indirect, special, incidental or consequential damages, of any kind, in connection with or arising out of the furnishing, performance or use of the technical data herein. No obligation or liability to recipient or any third party shall arise or flow out of austriamicrosystems AG rendering of technical or other services.



Contact Information

Headquarters

austriamicrosystems AG
A-8141 Schloss Premstaetten, Austria

Tel: +43 (0) 3136 500 0
Fax: +43 (0) 3136 525 01

For Sales Offices, Distributors and Representatives, please visit:

<http://www.austriamicrosystems.com/contact>

Компания «Life Electronics» занимается поставками электронных компонентов импортного и отечественного производства от производителей и со складов крупных дистрибьюторов Европы, Америки и Азии.

С конца 2013 года компания активно расширяет линейку поставок компонентов по направлению коаксиальный кабель, кварцевые генераторы и конденсаторы (керамические, пленочные, электролитические), за счёт заключения дистрибьюторских договоров

Мы предлагаем:

- Конкурентоспособные цены и скидки постоянным клиентам.
- Специальные условия для постоянных клиентов.
- Подбор аналогов.
- Поставку компонентов в любых объемах, удовлетворяющих вашим потребностям.
- Приемлемые сроки поставки, возможна ускоренная поставка.
- Доставку товара в любую точку России и стран СНГ.
- Комплексную поставку.
- Работу по проектам и поставку образцов.
- Формирование склада под заказчика.
- Сертификаты соответствия на поставляемую продукцию (по желанию клиента).
- Тестирование поставляемой продукции.
- Поставку компонентов, требующих военную и космическую приемку.
- Входной контроль качества.
- Наличие сертификата ISO.

В составе нашей компании организован Конструкторский отдел, призванный помогать разработчикам, и инженерам.

Конструкторский отдел помогает осуществить:

- Регистрацию проекта у производителя компонентов.
- Техническую поддержку проекта.
- Защиту от снятия компонента с производства.
- Оценку стоимости проекта по компонентам.
- Изготовление тестовой платы монтаж и пусконаладочные работы.



Тел: +7 (812) 336 43 04 (многоканальный)

Email: org@lifeelectronics.ru