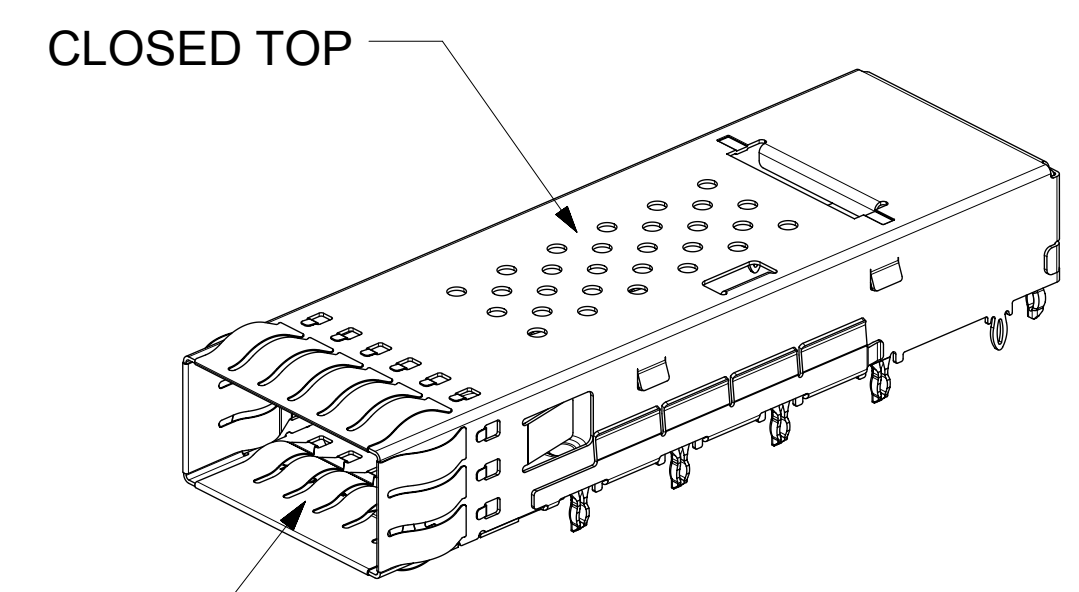
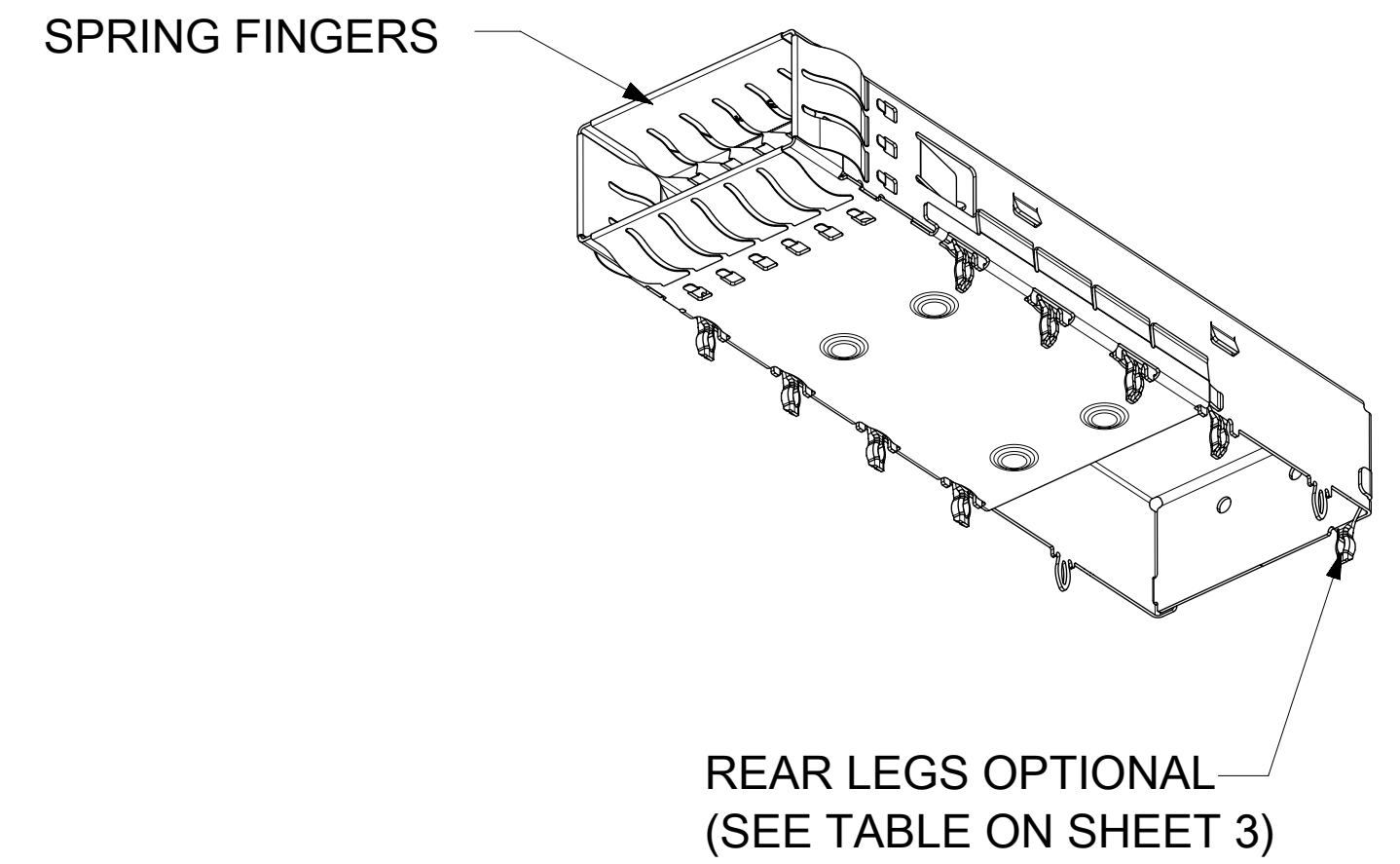
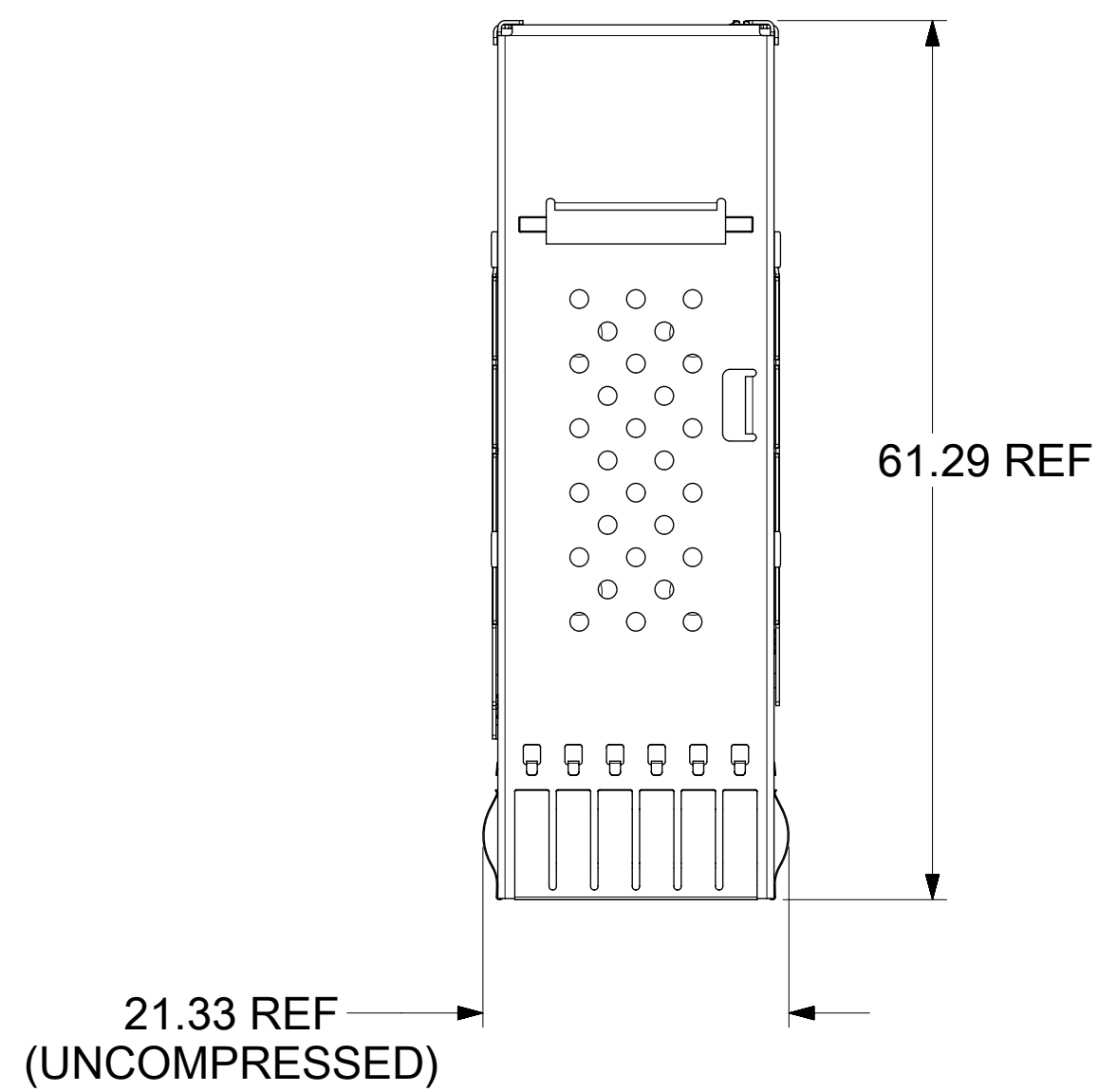


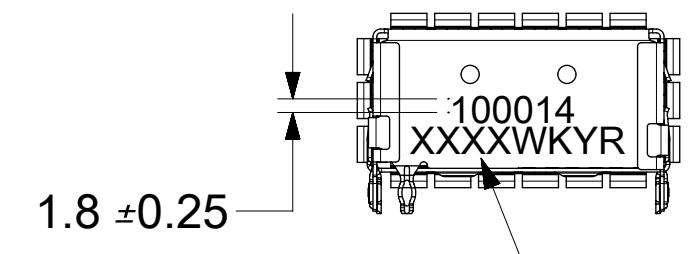
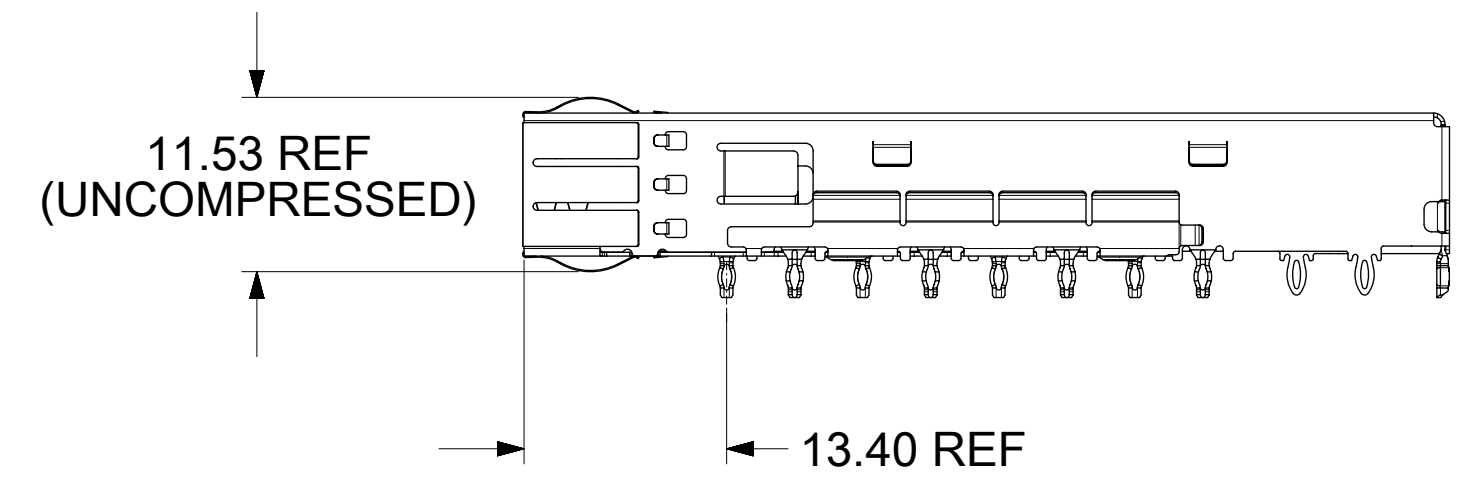
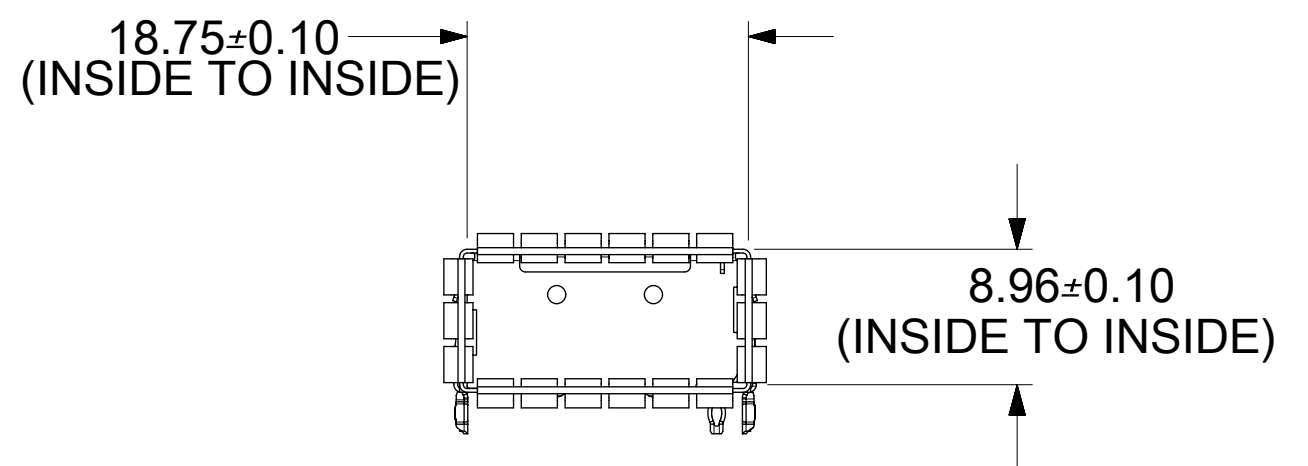
# BASE CAGE DETAILS

1000141242

SHOWN



DIMENSIONS OF EACH INNER CAGE DESIGNED TO FUNCTION WITH QUAD SMALL FORM-FACTOR (zQSFP+) TRANSCEIVER



P/N AND WEEK/YEAR DATE CODE TO BE PRINTED ON BACK OF COMPLETED CAGE ASSEMBLY APPROXIMATELY AS SHOWN. SEE TABLE BELOW FOR DATE CODE INFORMATION.

- NOTES:
- MATERIAL: CAGE: STAINLESS STEEL  
 SPRING FINGERS: BERYLLIUM COPPER; NICKEL PLATED  
 HEAT SINKS: NICKEL PLATED ALUMINUM  
 HEAT SINK CLIP: STAINLESS STEEL  
 LIGHT PIPES: POLYCARBONATE (UL 94-V-0)
  - DIMENSIONS MARKED ARE CRITICAL TO FUNCTION OF THE PART AND MUST BE INSPECTED
  - DRAWING APPLIES TO ALL P/N'S SHOWN ON PAGE 3
  - DURING FINAL INSPECTION, CAGE LEG LOCATIONS AND STRAIGHTNESS MUST BE CHECKED USING APPROPRIATE GO - NO GO GAGE
  - DURING FINAL INSPECTION, CAGE MUST BE INSPECTED TO MAKE SURE LEG CONFIGURATIONS AND PART NUMBERS ARE CORRECT, USE SHEETS 3, 4 AND 5
  - PARTS TO BE INSPECTED PER MOLEX COSMETIC SPEC WI-HP-7-2774 (CLASS B UNLESS OTHERWISE SPECIFIED)
  - PRESS-FIT LEGS 2.44 [0.096] LONG -  
 1.57 [0.062] MINIMUM PCB THICKNESS FOR SINGLE SIDED USE.  
 3.00 [0.118] MINIMUM PCB THICKNESS FOR BELLY TO BELLY USE.
  - NO RoHS EXEMPTIONS

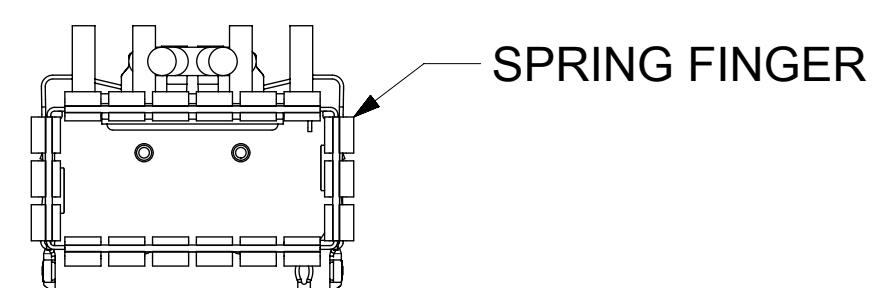
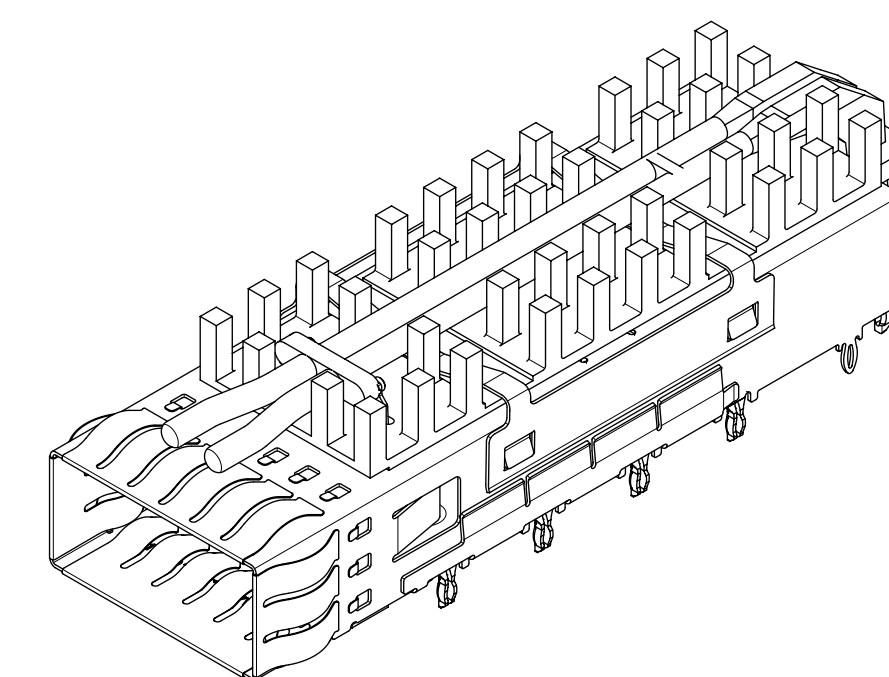
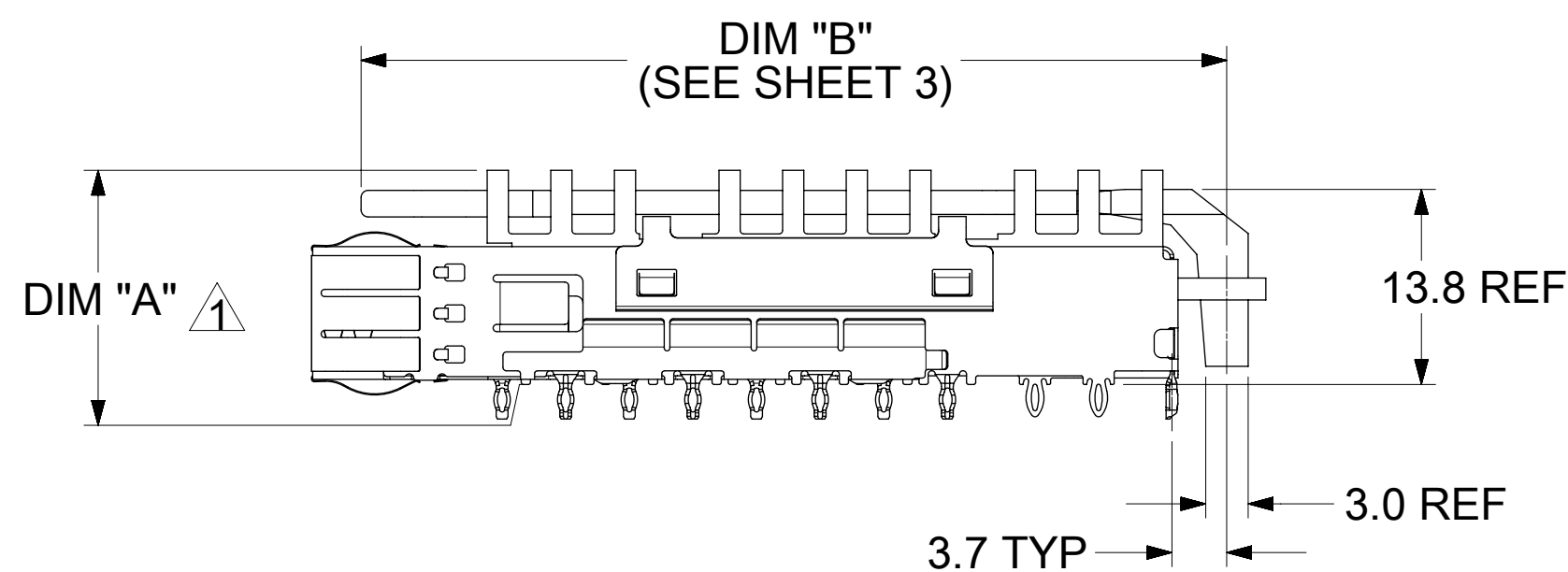
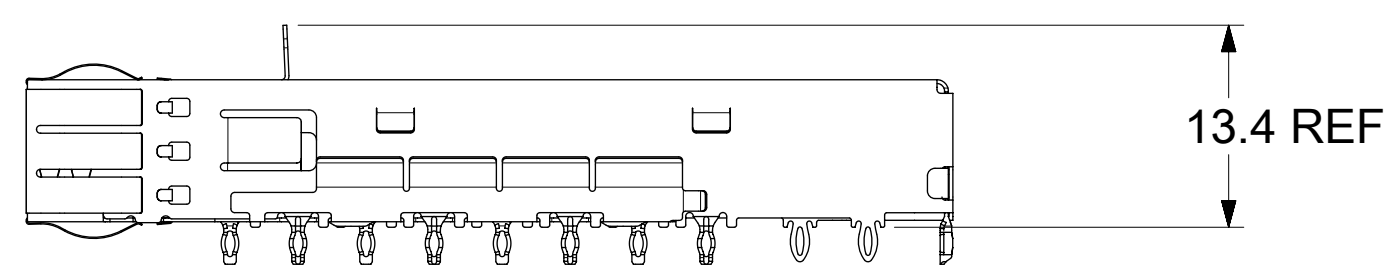
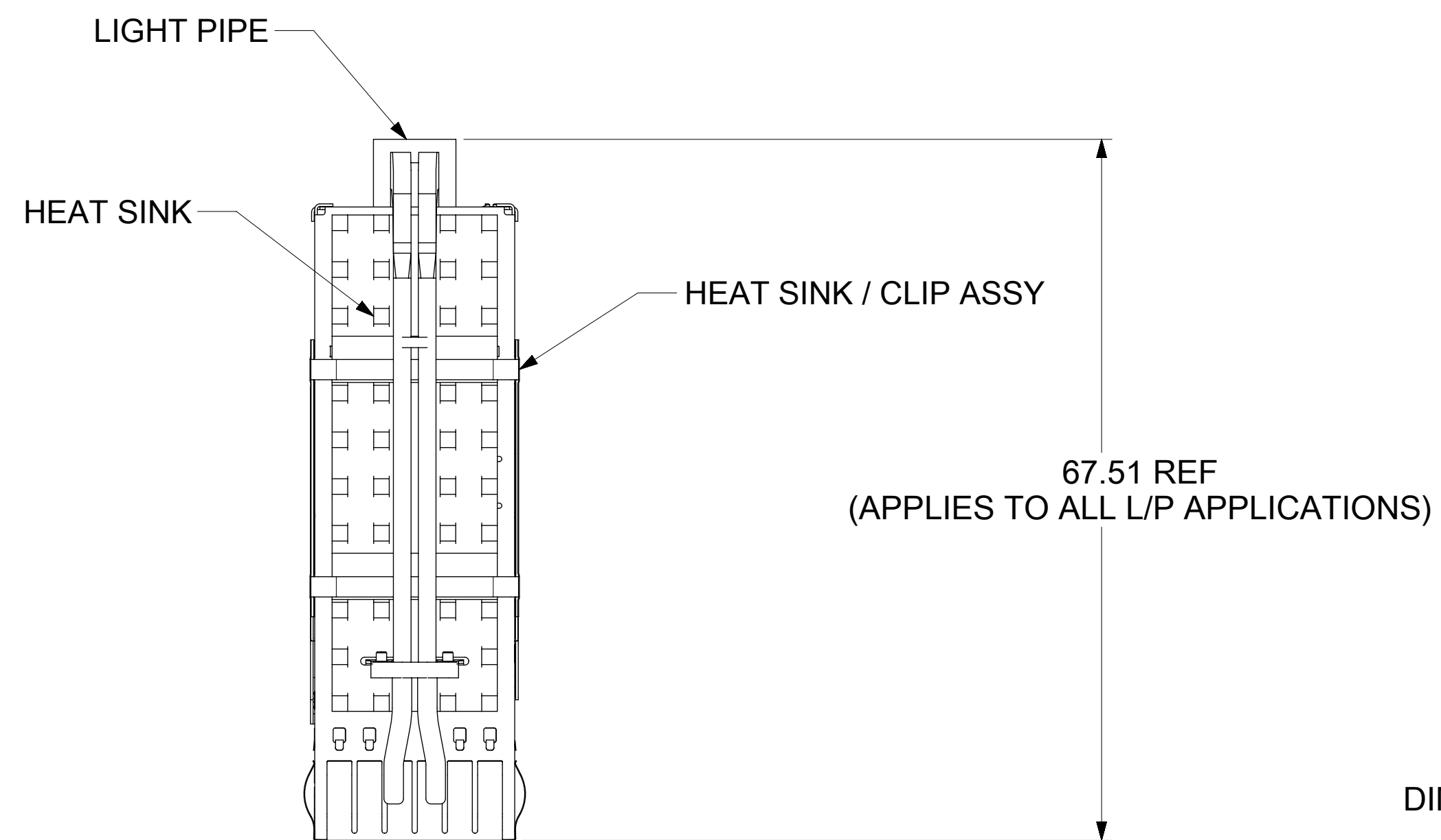
WEEK/YEAR DATE CODE TABLE	
WK	WEEK OF THE YEAR 01 THRU 52 (EXAMPLE: 01= FIRST WEEK OF YEAR 52= LAST WEEK OF YEAR)
YR	18, 19, 20 ETC.. (EXAMPLE: YEAR 2018= 18)

THIS DRAWING CONTAINS INFORMATION THAT IS PROPRIETARY TO MOLEX ELECTRONIC TECHNOLOGIES, LLC AND SHOULD NOT BE USED WITHOUT WRITTEN PERMISSION			
DIMENSION UNITS	SCALE	CURRENT REV DESC: SEE REVISION TABLE	
mm	2:1		
GENERAL TOLERANCES (UNLESS SPECIFIED)		<p><b>molex</b></p> <p>ZQSFP+ 1X1 CAGE ASSY'S (SPRING FINGER) WITH H/S &amp; L/P OPTIONS</p> <p>PRODUCT CUSTOMER DRAWING</p>	
ANGULAR TOL	± 2.0°		
4 PLACES	±		
3 PLACES	±		
2 PLACES	± 0.13		
1 PLACE	± 0.25	EC NO: 623918 DRWN: VLOKESHA 2019/08/23 CHK'D: JYEN01 2019/09/11 APPR: JCHIANG 2019/09/11 INITIAL REVISION: DRWN: PGSHETTY 2015/10/21 APPR: RCHEN08 2015/11/16	
0 PLACES	±	DOCUMENT NUMBER: <b>1000141200</b> DOC TYPE: PSD DOC PART: ASY REVISION: <b>L1</b>	
DRAFT WHERE APPLICABLE MUST REMAIN WITHIN DIMENSIONS	THIRD ANGLE PROJECTION	DRAWING: <b>D-SIZE</b>	SERIES: <b>100014</b>
		MATERIAL NUMBER: SEE DRAWING	CUSTOMER: GENERAL MARKET
		SHEET NUMBER: 1 OF 8	

# CAGE ASSEMBLY OPTIONS

1000141544

SHOWN

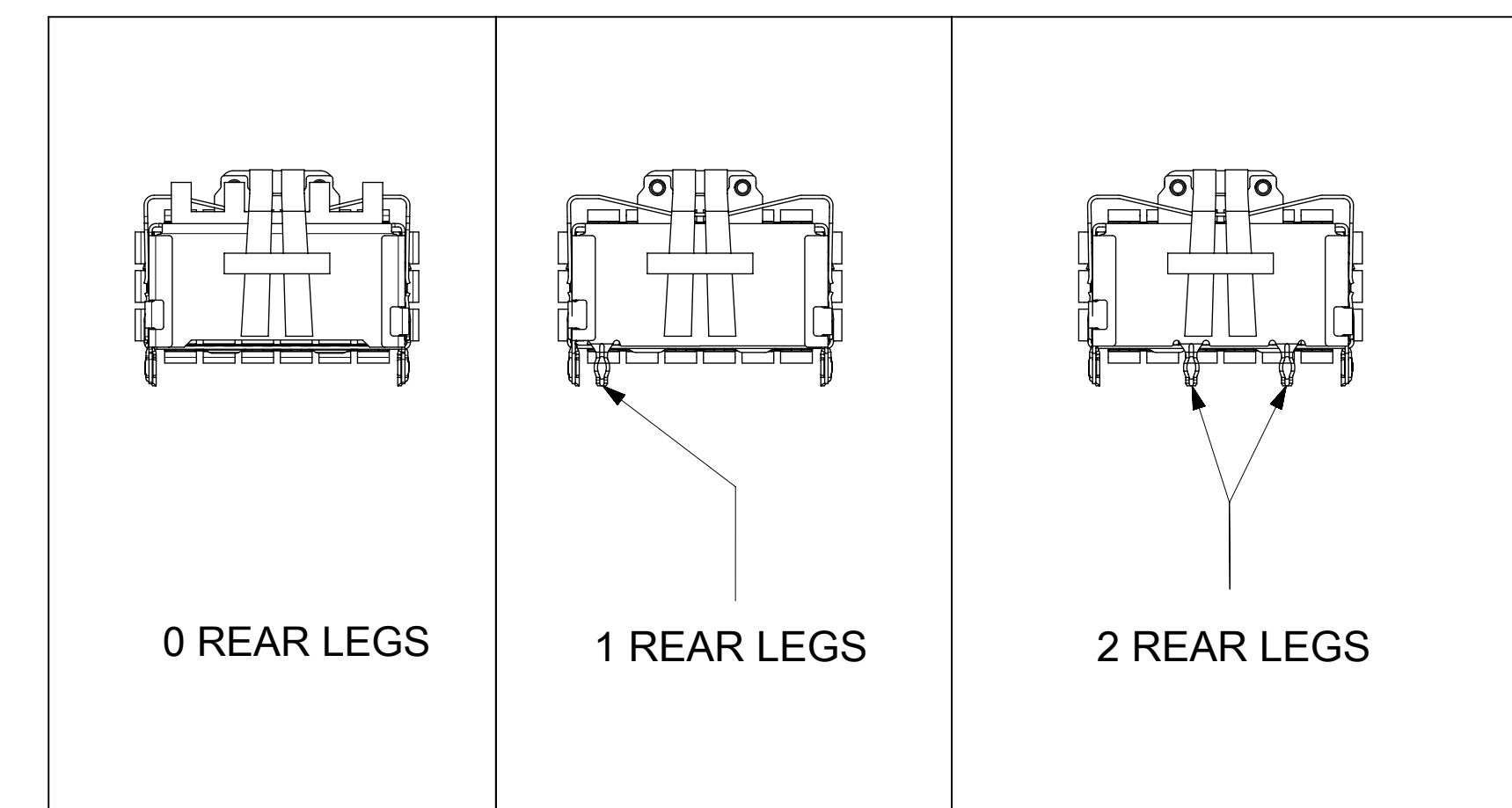


## HEATSINK HEIGHT OPTIONS

OVERALL HEAT SINK HEIGHT	DIM "A"
PCI	13.7 REF
SAN	16.0 REF
NET	23.0 REF

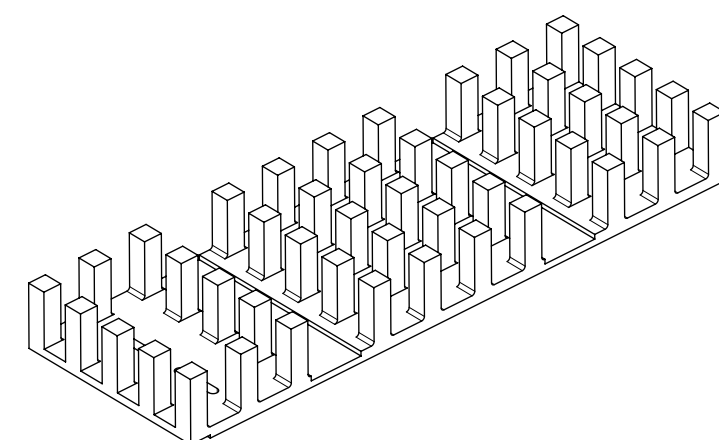
HEIGHT OF HEAT SINK WITH MODULE INSERTED. DIMENSION MAY BE LESS DUE TO MODULE AND HEAT SINK VARIATIONS

## REAR LEG OPTIONS

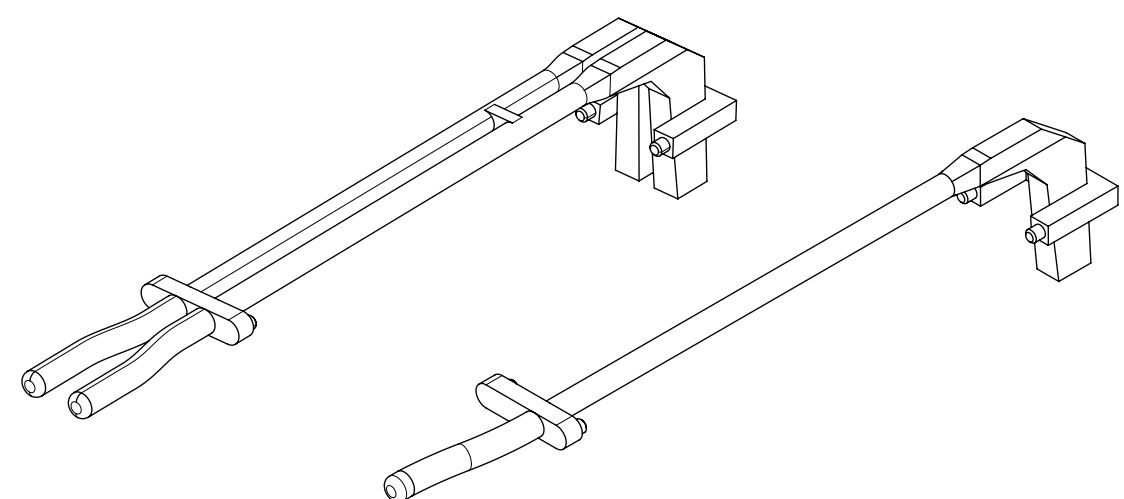


## HEATSINK AND LIGHT PIPE COMBINATIONS

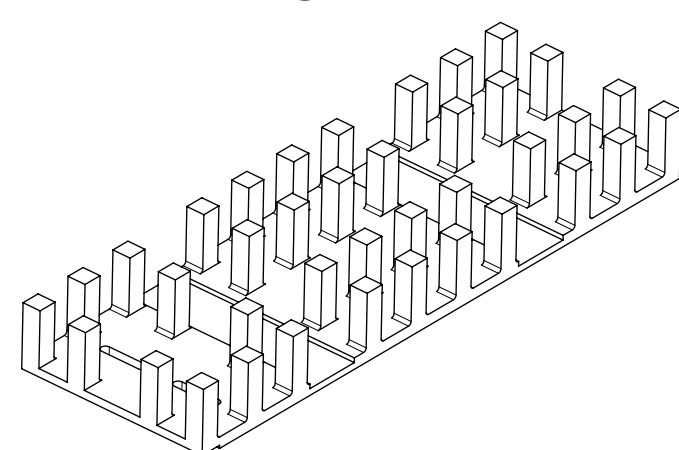
HEAT SINK USED WITHOUT LIGHTPIPE



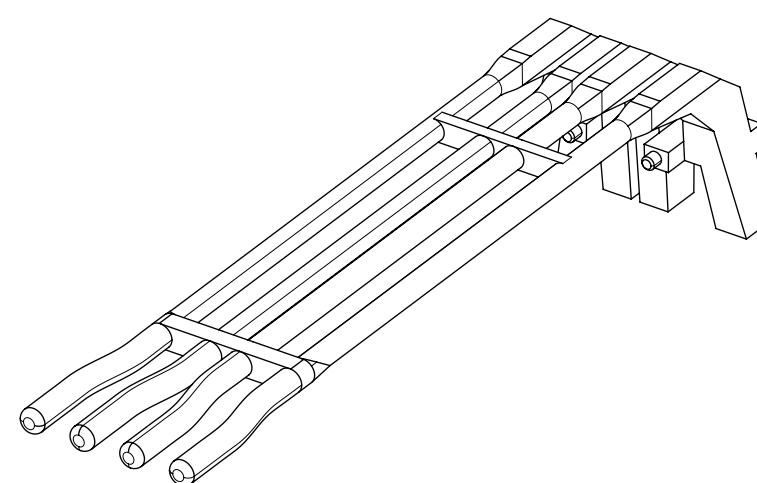
SINGLE / DUAL LIGHT PIPE



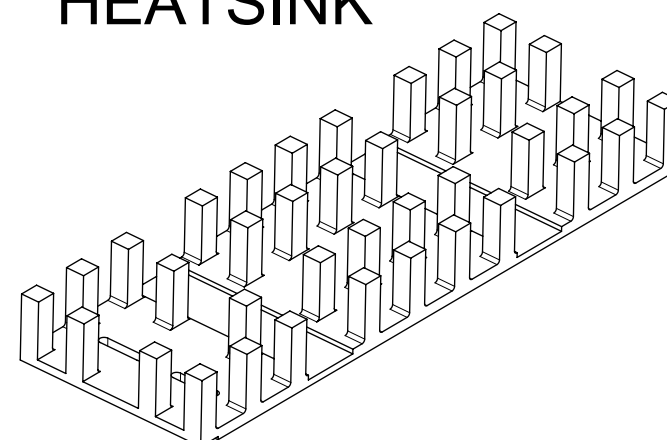
HEATSINK



QUAD LIGHT PIPE



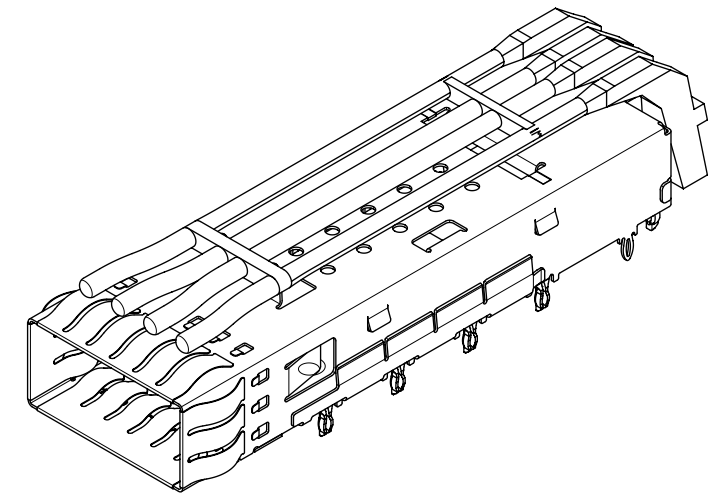
HEATSINK



THIS DRAWING CONTAINS INFORMATION THAT IS PROPRIETARY TO MOLEX ELECTRONIC TECHNOLOGIES, LLC AND SHOULD NOT BE USED WITHOUT WRITTEN PERMISSION			
DIMENSION UNITS <b>mm</b>	SCALE <b>2:1</b>	CURRENT REV DESC: SEE REVISION TABLE	
GENERAL TOLERANCES (UNLESS SPECIFIED)		EC NO: 623918	
ANGULAR TOL	± 2.0°	DRWN: VLOKESHA	2019/08/23
4 PLACES	±	CHK'D: JYEN01	2019/09/11
3 PLACES	±	APPR: JCHIANG	2019/09/11
2 PLACES	± 0.13	INITIAL REVISION:	
1 PLACE	± 0.25	DRWN: PGSHETTY	2015/10/21
0 PLACES	±	APPR: RCHEN08	2015/11/16
DRAFT WHERE APPLICABLE MUST REMAIN WITHIN DIMENSIONS		THIRD ANGLE PROJECTION	DRAWING SERIES
			<b>D-SIZE</b> 100014
DOCUMENT NUMBER		MATERIAL NUMBER	CUSTOMER
1000141200		SEE DRAWING	GENERAL MARKET
DOC TYPE	DOC PART	REVISION	SHEET NUMBER
PSD	ASY	L1	2 OF 8

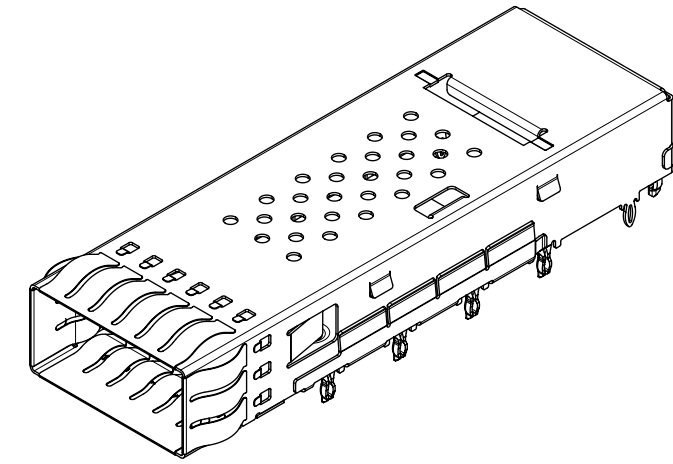
# PART NUMBER SELECTION

NO HEATSINKS  
WITH LIGHT PIPES  
CLOSED TOP



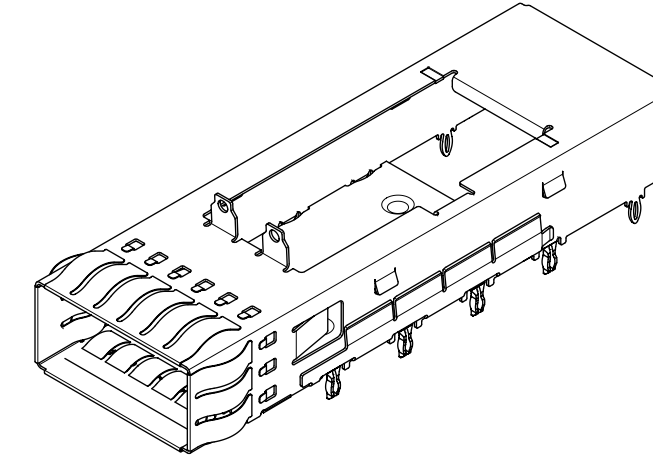
MOLEX P/N	LIGHT PIPES	#OF REAR LEGS PER PORT	DIM "B"
1000141231	SINGLE	0	61.07 REF
1000141232	SINGLE	1	61.07 REF
1000141233	DUAL	0	61.07 REF
1000141234	DUAL	1	61.07 REF
1000141235	QUAD	0	61.07 REF
1000141236	QUAD	1	61.07 REF

NO HEATSINKS  
NO LIGHT PIPES  
CLOSED TOP



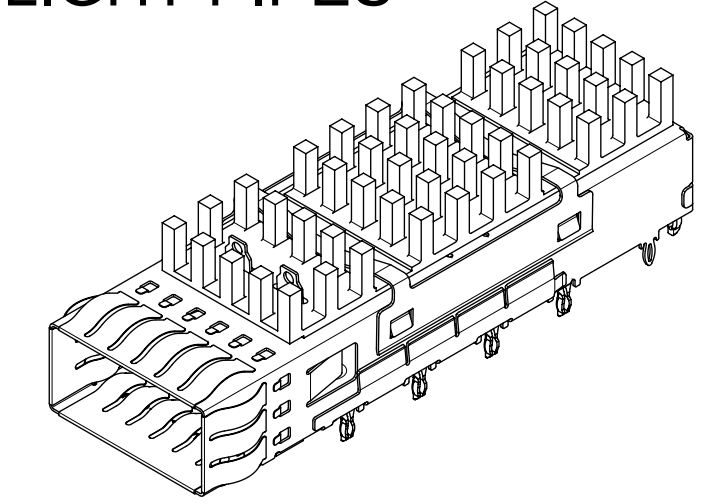
MOLEX P/N W/ SPRING FINGERS	#OF REAR LEGS PER PORT
1000141240	0
1000141242	1

NO HEATSINKS  
NO LIGHT PIPES  
OPEN TOP



MOLEX P/N W/ SPRING FINGERS	#OF REAR LEGS PER PORT	LP TAB FEATURE
1000141250	0	YES
1000141252	1	YES
1000141253	2	YES
1000141256	2	NO

WITH HEATSINKS  
NO LIGHT PIPES

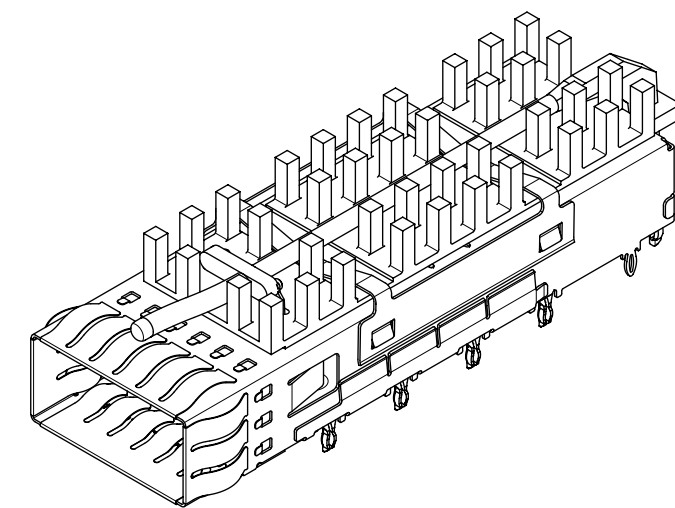


MOLEX P/N	HEATSINKS	#OF REAR LEGS PER PORT
1000141340	PCI	0
1000141341	SAN	0
1000141342	NET	0
1000141343	PCI	1
1000141344	SAN	1
1000141345	NET	1
1000141346	PCI	2
1000141348	NET	2
1000141903	CUSTOM DIM A=20 REF	2

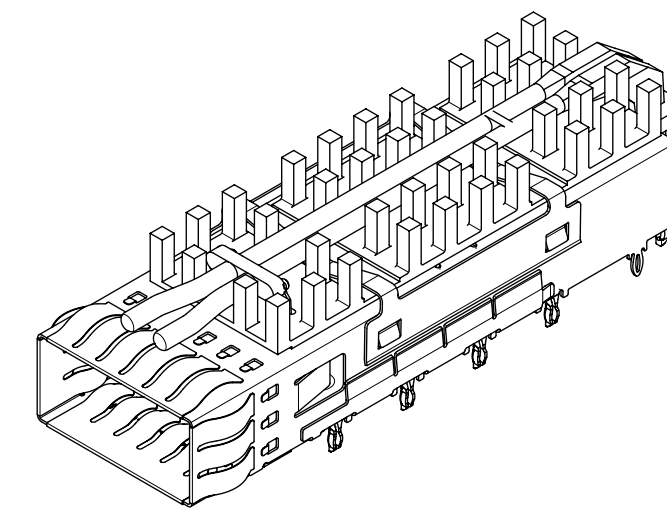
## WITH HEATSINKS AND LIGHT PIPES

MOLEX P/N	LIGHTPIPES	HEATSINKS	#OF REAR LEGS PER PORT	DIM "B"
1000141442	SINGLE	NET	0	61.07 REF
1000141443	DUAL	PCI	0	61.07 REF
1000141445	DUAL	NET	0	61.07 REF
1000141447	QUAD	SAN	0	61.07 REF
1000141448	QUAD	NET	0	61.07 REF
1000141540	SINGLE	PCI	1	61.07 REF
1000141541	SINGLE	SAN	1	61.07 REF
1000141542	SINGLE	NET	1	61.07 REF
1000141543	DUAL	PCI	1	61.07 REF
1000141544	DUAL	SAN	1	61.07 REF
1000141545	DUAL	NET	1	61.07 REF
1000141546	QUAD	PCI	1	61.07 REF
1000141547	QUAD	SAN	1	61.07 REF
1000141548	QUAD	NET	1	61.07 REF
1000141640	SINGLE	PCI	2	61.07 REF
1000141641	SINGLE	SAN	2	61.07 REF
1000141642	SINGLE	NET	2	61.07 REF
1000141643	DUAL	PCI	2	61.07 REF
1000141644	DUAL	SAN	2	61.07 REF
1000141645	DUAL	NET	2	61.07 REF
1000141646	QUAD	PCI	2	61.07 REF
1000141647	QUAD	SAN	2	61.07 REF
1000141648	QUAD	NET	2	61.07 REF
1000141744	DUAL	SAN	2	59.47 REF

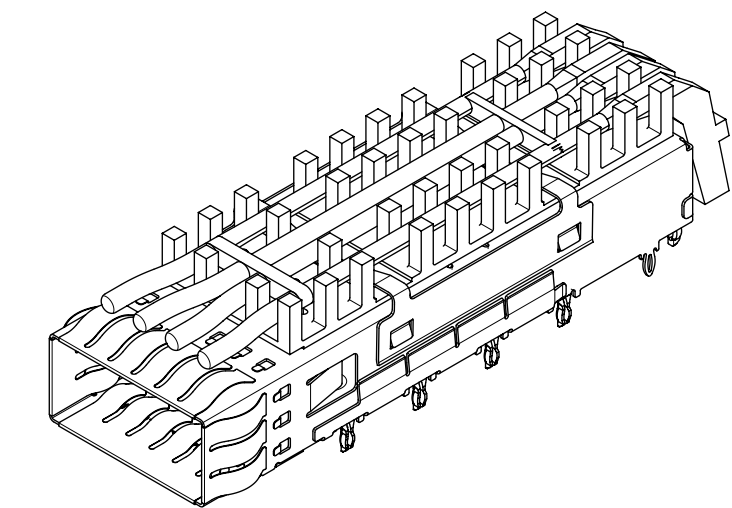
### SINGLE LIGHT PIPE



### DUAL LIGHT PIPE



### QUAD LIGHT PIPE



THIS DRAWING CONTAINS INFORMATION THAT IS PROPRIETARY TO MOLEX ELECTRONIC TECHNOLOGIES, LLC AND SHOULD NOT BE USED WITHOUT WRITTEN PERMISSION

DIMENSION UNITS	SCALE	CURRENT REV DESC: SEE REVISION TABLE	
mm	1.5:1		
GENERAL TOLERANCES (UNLESS SPECIFIED)		EC NO: 623918	
ANGULAR TOL	± 2.0°	DRWN: VLOKESHA	2019/08/23
4 PLACES	±	CHK'D: JYEN01	2019/09/11
3 PLACES	±	APPR: JCHIANG	2019/09/11
2 PLACES	± 0.13	INITIAL REVISION:	
1 PLACE	± 0.25	DRWN: PGSHETTY	2015/10/21
0 PLACES	±	APPR: RCHEN08	2015/11/16
DRAFT WHERE APPLICABLE MUST REMAIN WITHIN DIMENSIONS		THIRD ANGLE PROJECTION	DRAWING SERIES
			D-SIZE 100014
		MATERIAL NUMBER	CUSTOMER
		SEE DRAWING	GENERAL MARKET
		DOCUMENT NUMBER	DOC TYPE DOC PART REVISION
		1000141200	PSD ASY L1
		SHEET NUMBER	
		3 OF 8	

**molex**

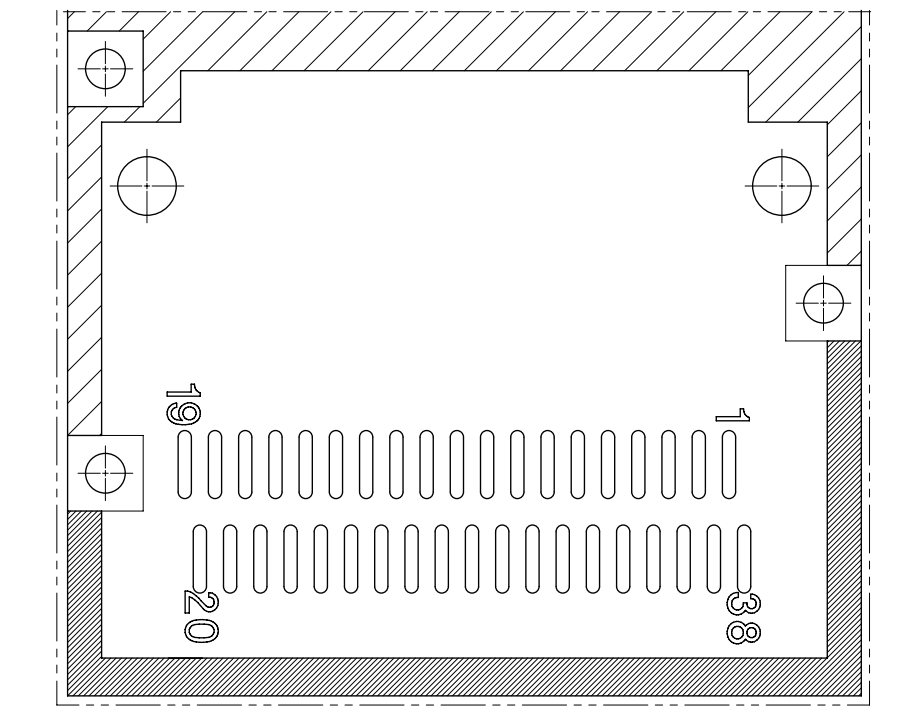
ZQSFP+ 1X1 CAGE  
ASSY'S (SPRING FINGER) WITH H/S & L/P OPTIONS

PRODUCT CUSTOMER DRAWING

DOCUMENT NUMBER: 1000141200  
DOC TYPE: PSD  
DOC PART: ASY  
REVISION: L1

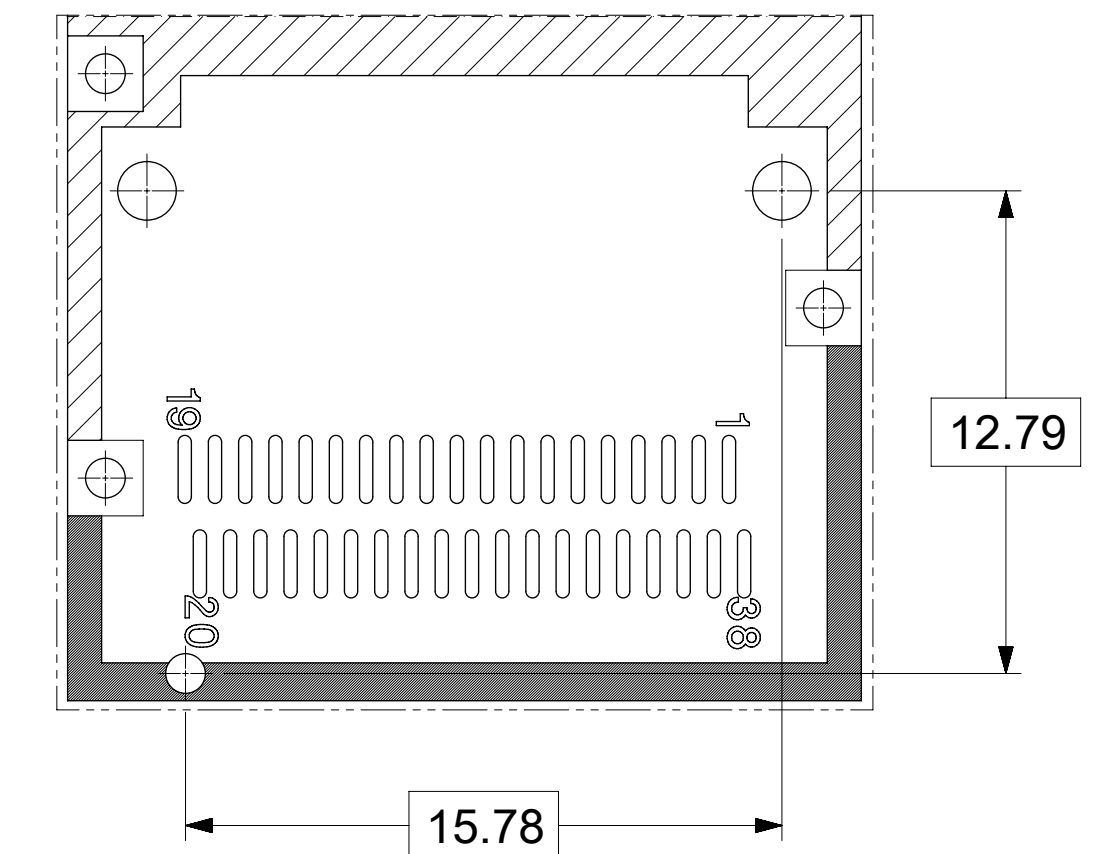
# PCB LAYOUT FOR SINGLE SIDED MOUNTING

NO REAR LEGS



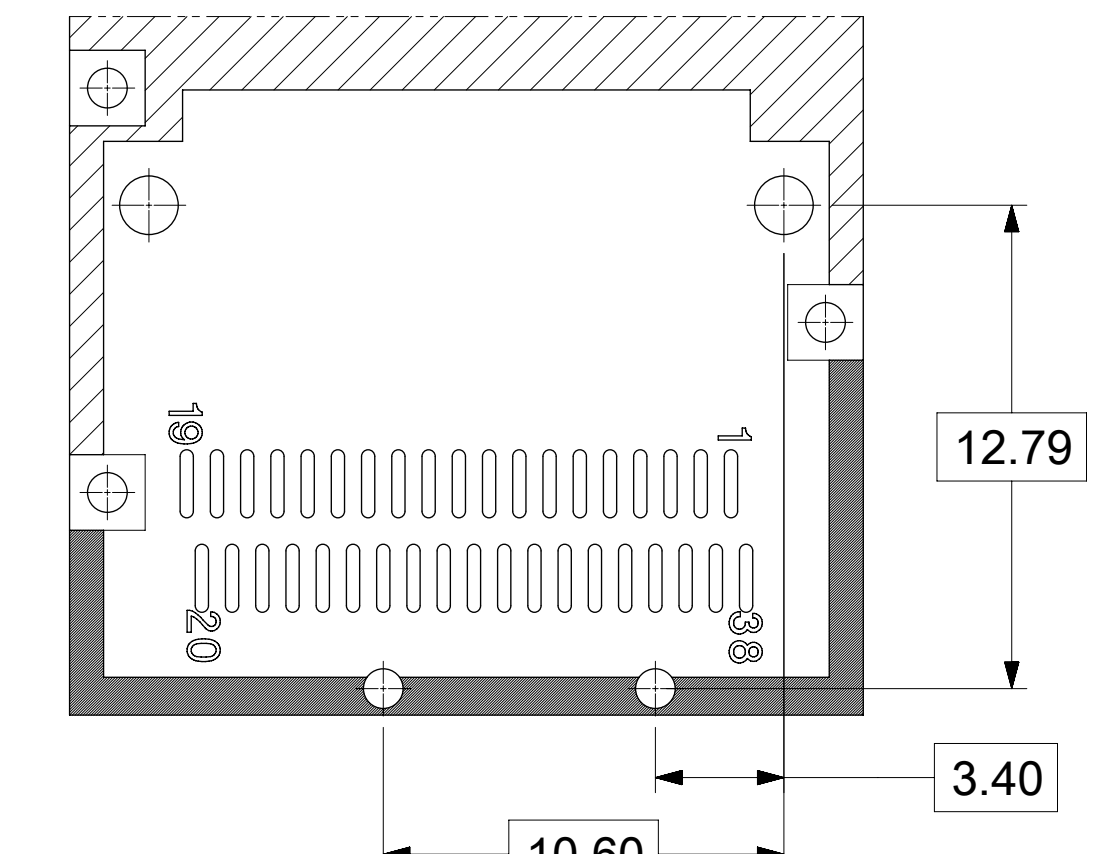
PARTIAL 1  
SCALE 5:1

1 REAR LEG

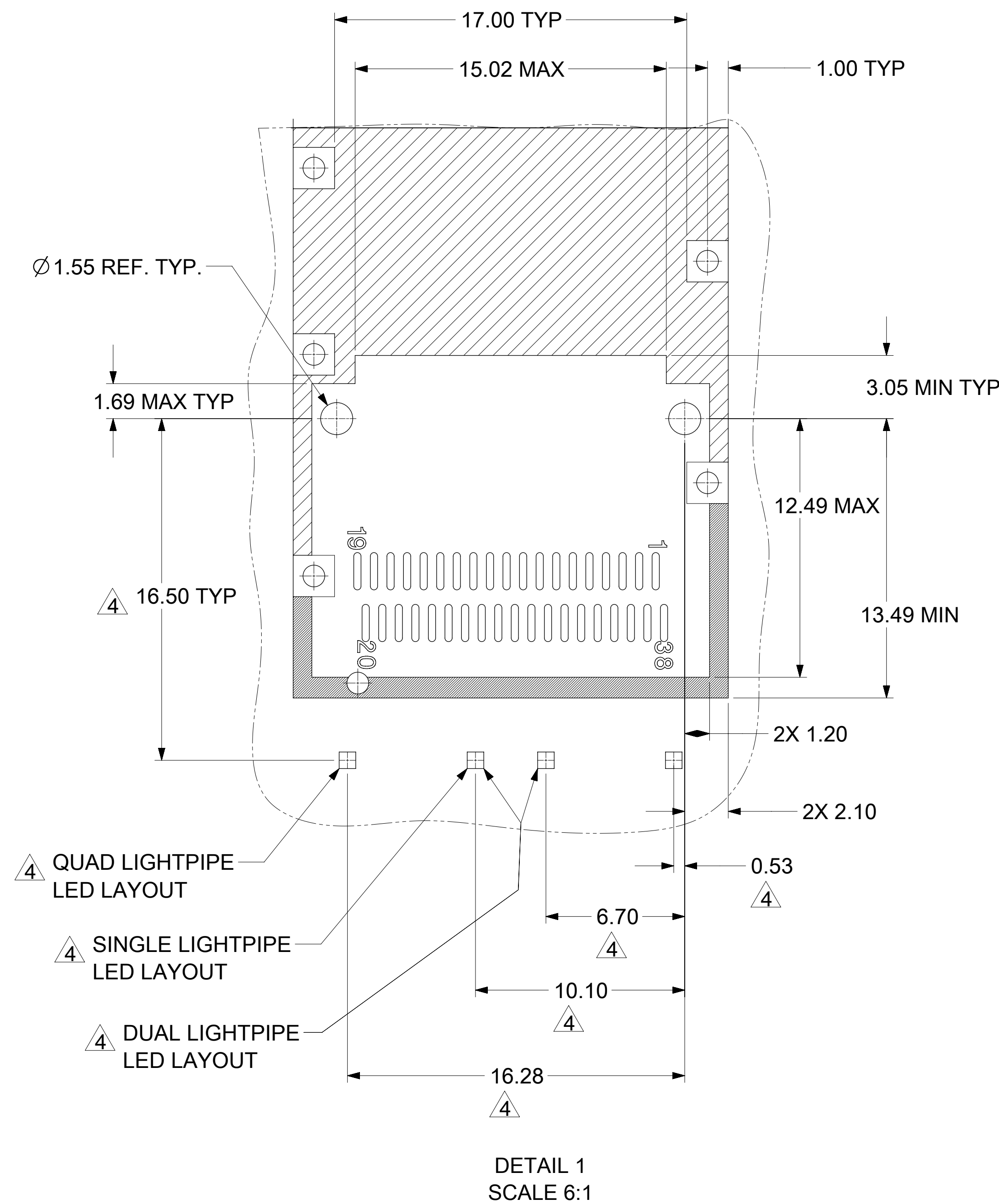


PARTIAL 2  
SCALE 5:1

2 REAR LEGS



PARTIAL 3  
SCALE 5:1



DETAIL 1  
SCALE 6:1

HATCHED AREA DENOTES  
COMPONENT AND TRACE KEEP-OUT  
(EXCEPT CHASSIS GROUND)

Ø 1.05 ± 0.05 TYP  
Ø 0.10 (M) A K L

AREA DENOTES  
COMPONENT KEEP-OUT  
(TRACES ALLOWED)

DATUM -A- IS THE TOP  
SURFACE OF HOST BOARD

CROSS HATCHED AREA DENOTES  
WHERE SURFACE TRACES  
ARE PERMITTED

SEE DETAIL 1

37.00 MAX

34.60

30.10

25.60

21.10

16.60

12.10

7.60

3.10

3.10

7.60

12.79

0.00

0.00

HOLE OF  
ADJACENT CAGE

NOTES:

1. PADS AND VIAS GO TO CHASSIS GROUND. (RECOMMENDED PADS TO BE 2.00mm SQUARE.)
2. RECOMMENDED THRU HOLE PLATING INCLUDES HASL, OSP, OR IMMERSION (GOLD, SILVER, OR TIN).
3. CONNECTOR PAD LAYOUT PER SFF-8663 WILL ACCOMMODATE MOLEX CONNECTOR SERIES 170432.
4. NOTED DIMENSIONS ONLY APPLY TO CAGE ASSEMBLIES WITH LIGHT PIPES.

THIS DRAWING CONTAINS INFORMATION THAT IS PROPRIETARY TO MOLEX ELECTRONIC TECHNOLOGIES, LLC AND SHOULD NOT BE USED WITHOUT WRITTEN PERMISSION

DIMENSION UNITS	SCALE	CURRENT REV DESC: SEE REVISION TABLE	
mm	3.5:1		
GENERAL TOLERANCES (UNLESS SPECIFIED)			
ANGULAR TOL	± 2.0°	EC NO:	623918
4 PLACES	±	DRWN:	VLOKESHA 2019/08/23
3 PLACES	±	CHK'D:	JYEN01 2019/09/11
2 PLACES	± 0.13	APPR:	JCHIANG 2019/09/11
1 PLACE	± 0.25	INITIAL REVISION:	
0 PLACES	±	DRWN:	PGSHETTY 2015/10/21
DRAFT WHERE APPLICABLE MUST REMAIN WITHIN DIMENSIONS		APPR:	RCHEN08 2015/11/16
THIRD ANGLE PROJECTION	DRAWING	SERIES	
	D-SIZE	100014	
MATERIAL NUMBER		CUSTOMER	SHEET NUMBER
SEE DRAWING		GENERAL MARKET	4 OF 8

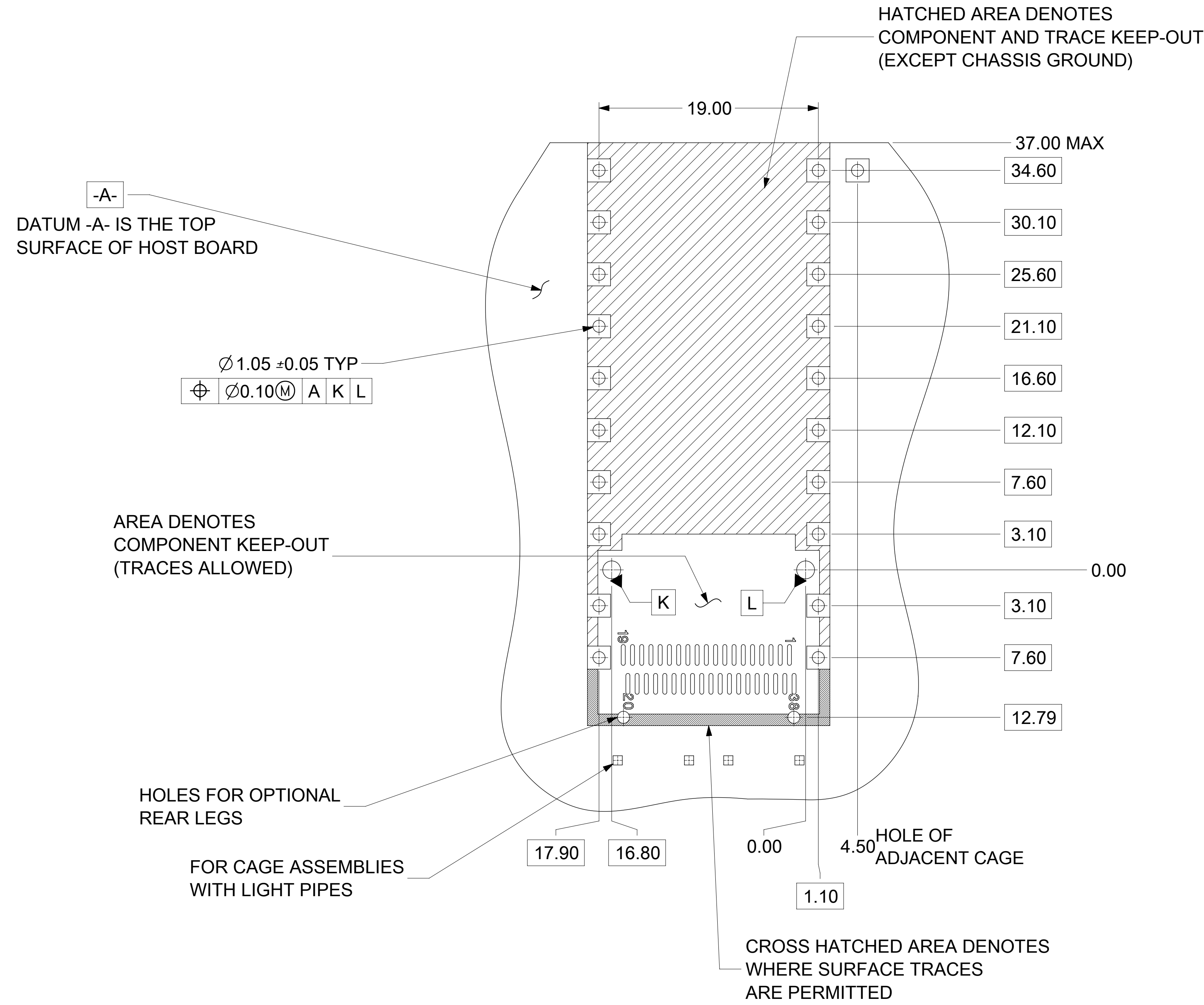
**molex**

ZQSFP+ 1X1 CAGE  
ASSY'S (SPRING FINGER) WITH H/S & L/P OPTIONS

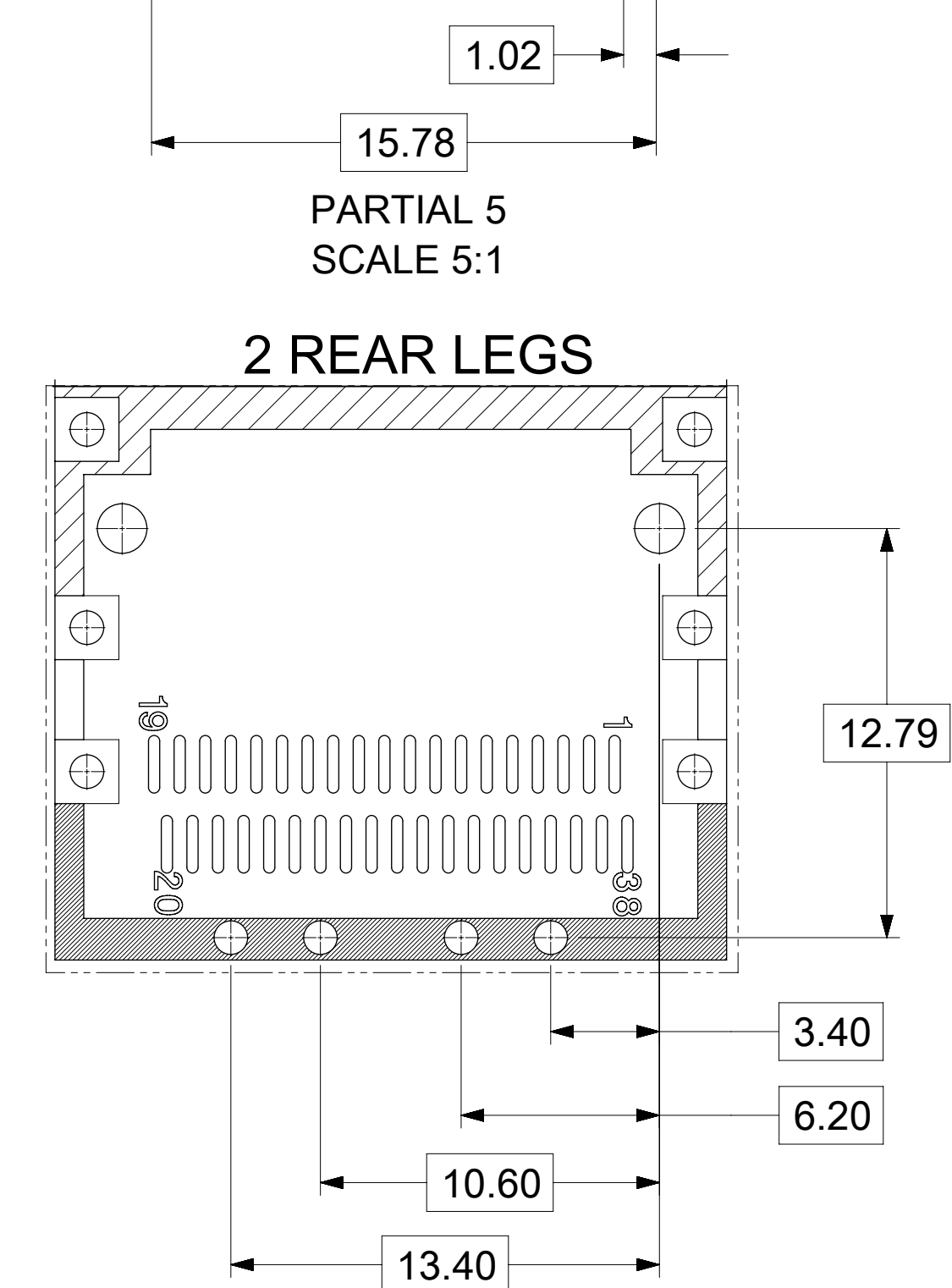
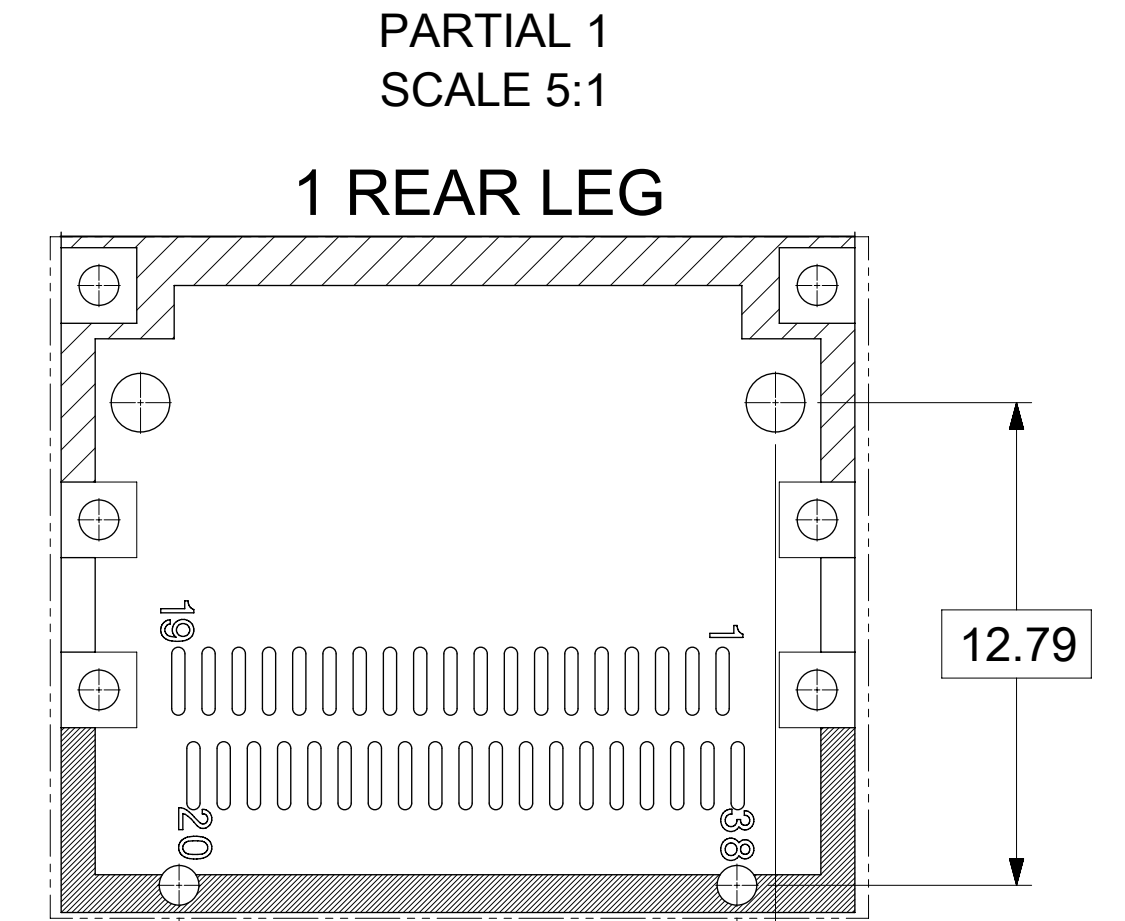
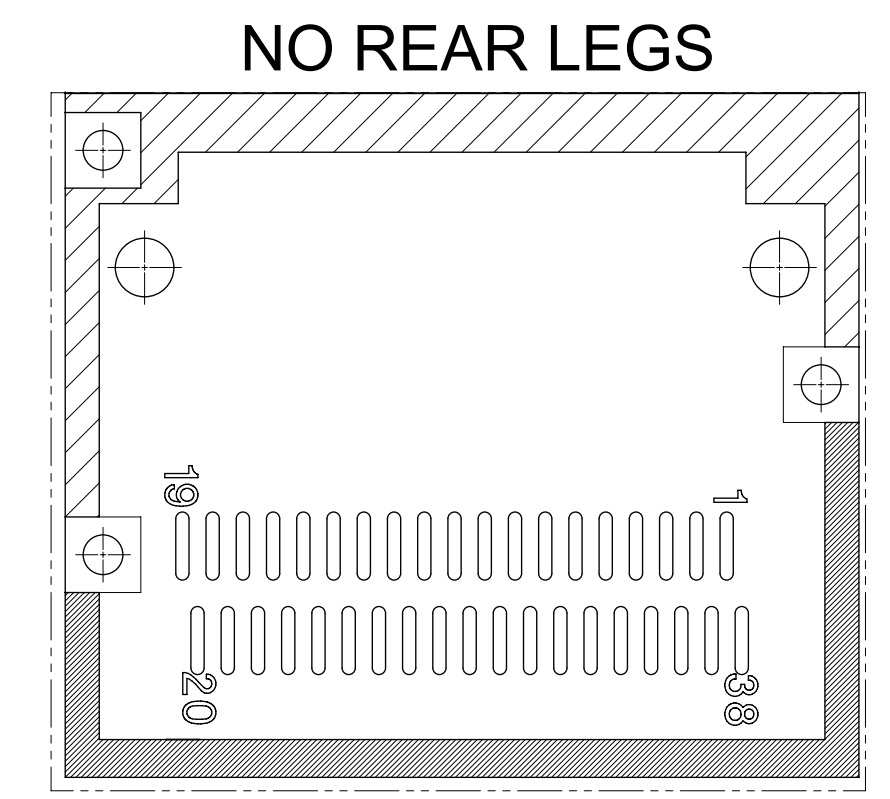
PRODUCT CUSTOMER DRAWING

DOCUMENT NUMBER: 1000141200  
DOC TYPE: PSD  
DOC PART: ASY  
REVISION: L1

# PCB LAYOUT FOR BELLY TO BELLY MOUNTING



NOTE:  
SEE SHEET 4 FOR  
HOST CONNECTOR DETAIL  
AND LED LOCATION DETAILS



- NOTES:
1. PADS AND VIAS GO TO CHASSIS GROUND. (RECOMMENDED PADS TO BE 2.00mm SQUARE.)
  2. RECOMMENDED THRU HOLE PLATING INCLUDES HASL, OSP, OR IMMERSION (GOLD, SILVER, OR TIN).
  3. CONNECTOR PAD LAYOUT PER SFF-8663 WILL ACCOMODATE MOLEX CONNECTOR SERIES 170432.

THIS DRAWING CONTAINS INFORMATION THAT IS PROPRIETARY TO MOLEX ELECTRONIC TECHNOLOGIES, LLC AND SHOULD NOT BE USED WITHOUT WRITTEN PERMISSION

DIMENSION UNITS	SCALE	CURRENT REV DESC: SEE REVISION TABLE	
mm	4:1		
GENERAL TOLERANCES (UNLESS SPECIFIED)			
ANGULAR TOL	± 2.0°	EC NO: 623918	
4 PLACES	±	DRWN: VLOKESHA	2019/08/23
3 PLACES	±	CHK'D: JYEN01	2019/09/11
2 PLACES	± 0.13	APPR: JCHIANG	2019/09/11
1 PLACE	± 0.25	INITIAL REVISION:	
0 PLACES	±	DRWN: PGSHETTY	2015/10/21
DRAFT WHERE APPLICABLE MUST REMAIN WITHIN DIMENSIONS		APPR: RCHEN08	2015/11/16
THIRD ANGLE PROJECTION	DRAWING	SERIES	MATERIAL NUMBER
	D-SIZE	100014	SEE DRAWING
		CUSTOMER	SHEET NUMBER
		GENERAL MARKET	5 OF 8

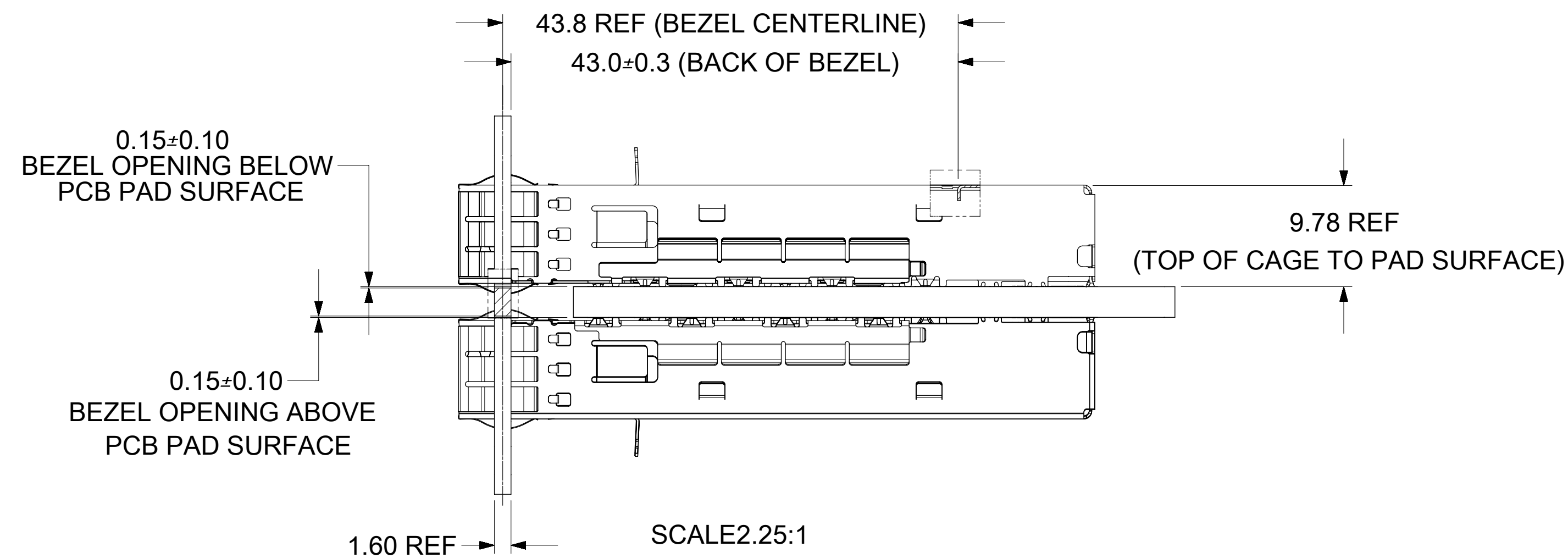
**molex**

ZQSFP+ 1X1 CAGE  
ASSY'S (SPRING FINGER) WITH H/S & L/P OPTIONS

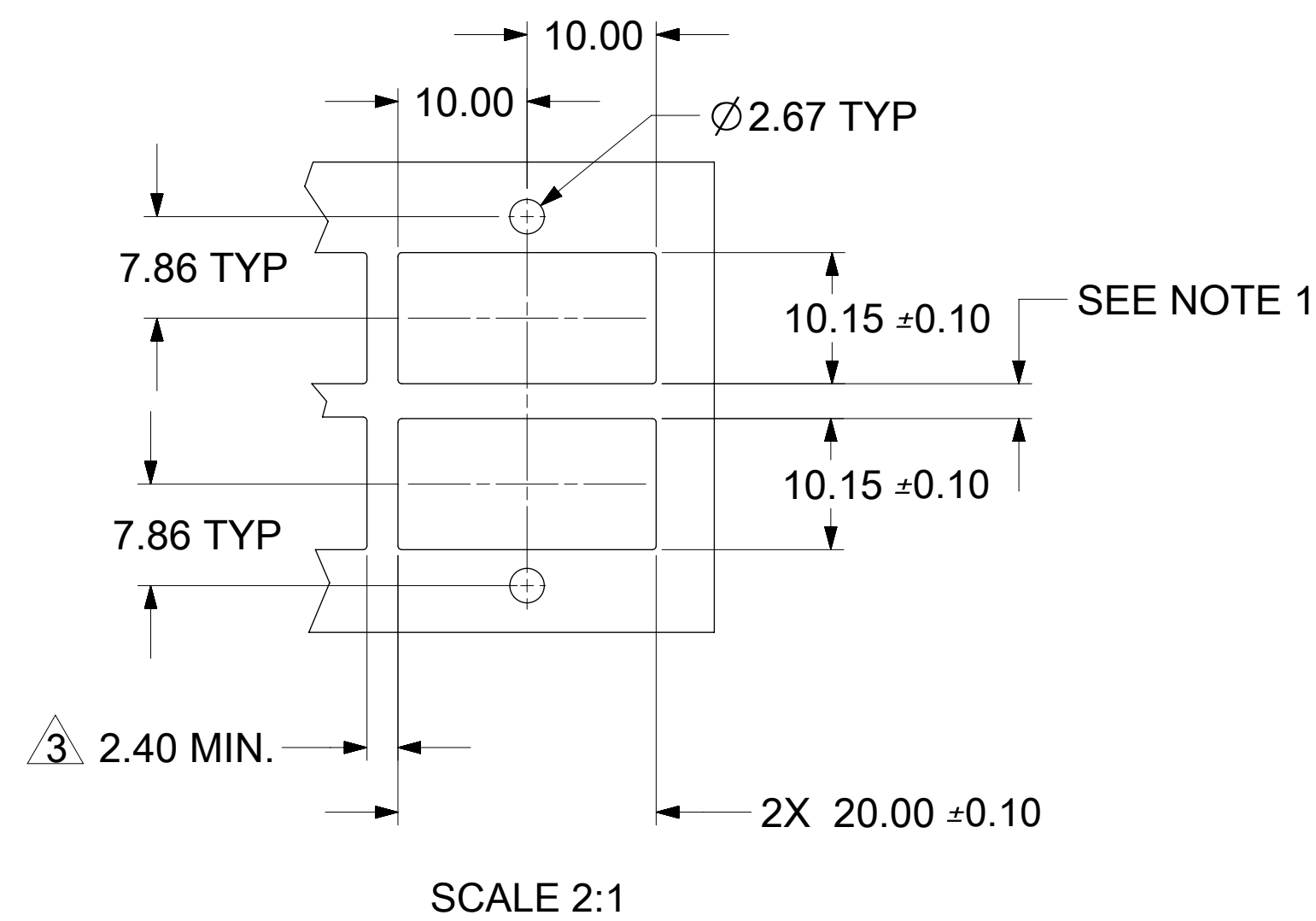
PRODUCT CUSTOMER DRAWING

DOCUMENT NUMBER	DOC TYPE	DOC PART	REVISION
1000141200	PSD	ASY	L1

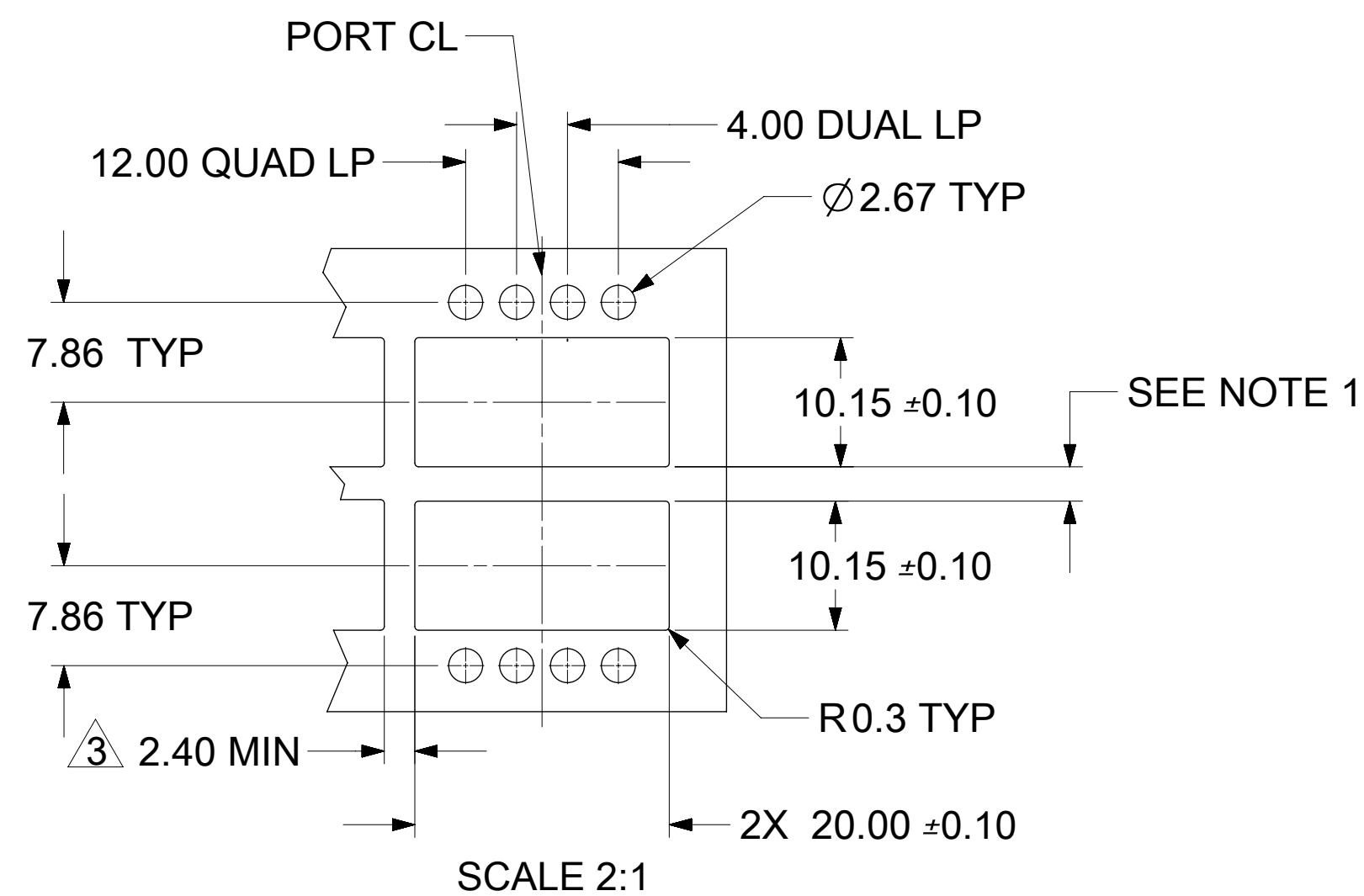
**BEZEL AND BOARD POSITION DIMENSIONS FOR BELLY TO BELLY MOUNTING**



**SINGLE LIGHT PIPE**

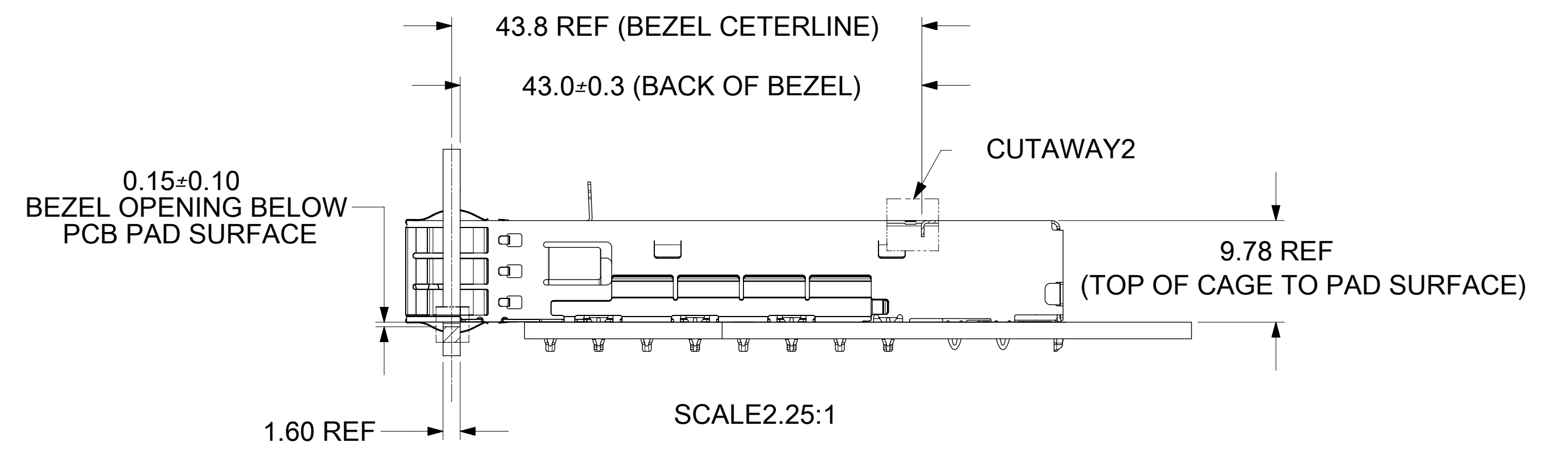


**DUAL/QUAD LIGHT PIPE**

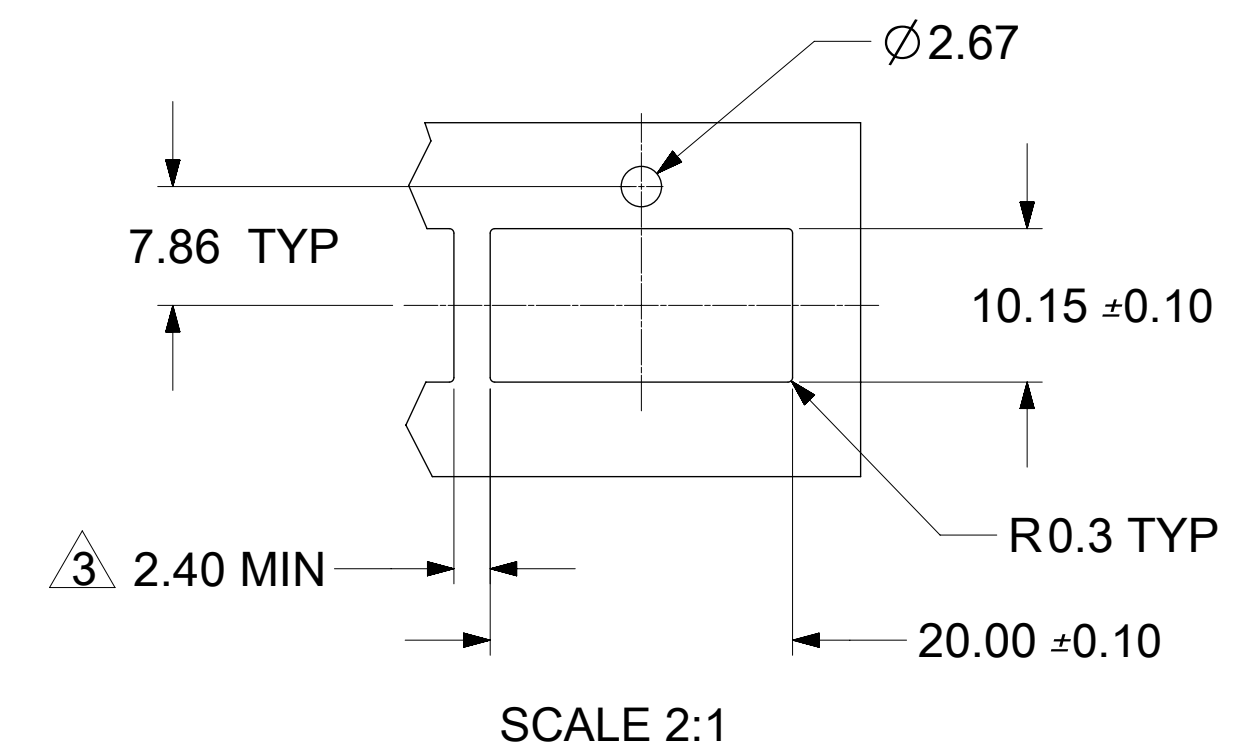


- NOTE:**
1. PCB THICKNESS VARIATION MUST BE CONSIDERED WHEN DETERMINING BEZEL OPENING LOCATION.
  2. NOTED DIMENSIONS ONLY APPLY TO CAGE ASSEMBLIES WITH LIGHT PIPES.
  3. THIS DIMENSION IS FOR REFERENCE ONLY. USER CAN MODIFY IT DEPENDS ON APPLICATION. (THIS DIMENSION VARIES BASED ON DISTANCE OF "HOLE OF ADJACENT CAGE" ON PCB LAYOUT.)

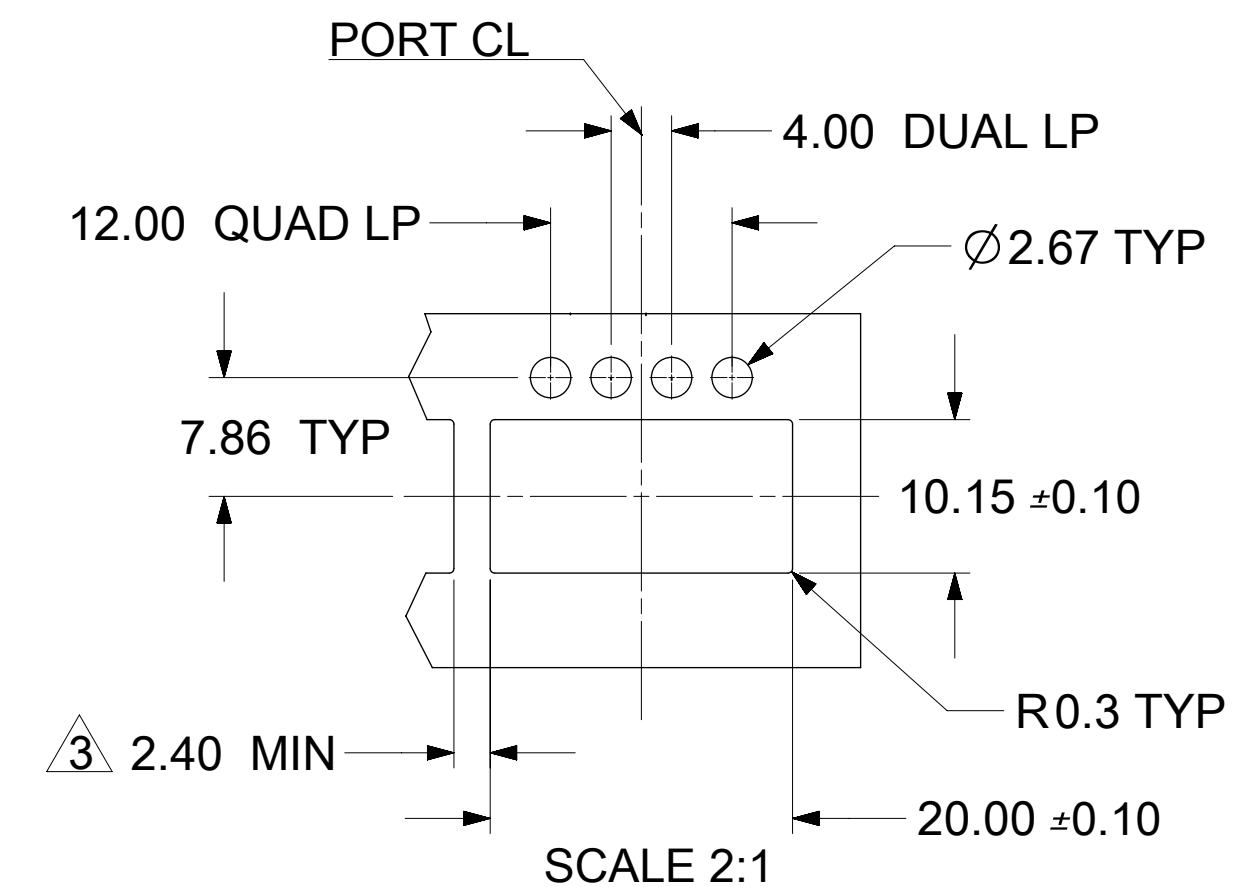
**BEZEL AND BOARD POSITION DIMENSIONS FOR SINGLE SIDE MOUNTING**



**SINGLE LIGHT PIPE**




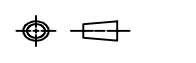
**DUAL/QUAD LIGHT PIPE**




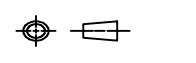
THIS DRAWING CONTAINS INFORMATION THAT IS PROPRIETARY TO MOLEX ELECTRONIC TECHNOLOGIES, LLC AND SHOULD NOT BE USED WITHOUT WRITTEN PERMISSION

DIMENSION UNITS	SCALE	CURRENT REV DESC: SEE REVISION TABLE		<b>molex</b>			
mm	2.5:1						
GENERAL TOLERANCES (UNLESS SPECIFIED)		EC NO: 623918		ZQSFP+ 1X1 CAGE ASSY'S (SPRING FINGER) WITH H/S & L/P OPTIONS			
ANGULAR TOL	± 2.0°	DRWN: VLOKESHA	2019/08/23	PRODUCT CUSTOMER DRAWING			
4 PLACES	±	CHK'D: JYEN01	2019/09/11	DOCUMENT NUMBER			
3 PLACES	±	APPR: JCHIANG	2019/09/11	1000141200			
2 PLACES	± 0.13	INITIAL REVISION:		DOC TYPE	DOC PART	REVISION	
1 PLACE	± 0.25	DRWN: PGSHETTY	2015/10/21	PSD	ASY	L1	
0 PLACES	±	APPR: RCHEN08	2015/11/16	SHEET NUMBER			
DRAFT WHERE APPLICABLE MUST REMAIN WITHIN DIMENSIONS		THIRD ANGLE PROJECTION	DRAWING	SERIES	MATERIAL NUMBER	CUSTOMER	SHEET NUMBER
			D-SIZE	100014	SEE DRAWING	GENERAL MARKET	6 OF 8

REV	DATE	DESCRIPTION
A	2013/03/29	RELEASE
B	2013/06/06	ADDED DIM 12.77 AT G-11 ON SHEET 4
C	2013/11/03	REMOVED GANGED FROM TITLE BLOCK. SHEET 3: ADDED VIEW AND P/N TABLE FOR CLOSED TOP W/LP. SHEET 4/5: EXPANDED ALLOWABLE AREA WHERE SURFACE TRACES ARE PERMITTED.
D	2014/06/26	SHEET 1: ADDED MATERIAL INFORMATION TO NOTES. CHANGED REAR MOST LEG ON BOTH SIDES OF ALL CAGES FROM 3D PRESSFIT TO EYE-OF-THE-NEEDLE PRESSFIT LEG.
E	2014/09/29	ADDED TWO REAR LEG OPTION SHEET 2: CHANGED HEATSINK HEIGHT DIMENSIONS TO REF J14: DIM 67.48 CHANGED TO REF SHEET 4: MOVED DATUMS "K" AND "L" TO CONNECTOR HOLES REMOVED BASIC FROM "0.00" POSITIONS SHEET 5: MOVED DATUMS "K" AND "L" TO CONNECTOR HOLES REMOVED BASIC FROM "0.00" POSITIONS H15: MADE HOLE DIAMETER DIMENSION TYP SHEET 6: EDIT NOTE 1, REMOVED "SIZE" REMOVED NOTE 1 FROM ALL "10.15" DIMENSIONS
F	2015/02/05	SHEET 3: ADDED P/N 1000141744 TO CHART.
G	2015/04/14	SHEET 2: ADDED DIM "B" AT J-10 SHEET 3: ADDED P/N AT A-19 ADDED DIM "B" W/ 61.07 REF TO CHARTS AT G-14 AND I-15 ADDED 59.47 REF AS DIM "B" TO P/N 1000141744 AT A-14 REMOVED NOTE 1 AT A-19 SHEET 4: ADDED DIM 12.79 @G13 REVISED DIM "WAS" 12.77 "NOW" 12.79 @E2 AND @H2 REMOVED SEE NOTE 4 AND ADDED DIMS @K17 REMOVED NOTE 4 AND REVISED NOTE 5 TO NOTE 4 REVISED FRAMED TEXT NUMBER 4 TRIANGLES TO FRAMED TEXT NUMBER 5 @D9, @E8, @E10,@F8, @F10, @G11,AND @H11 SHEET 5: REMOVED NOTE 4 @A20 REMOVED SEE NOTE 4 AND ADDED DIMS @K15 REVISED DIM "WAS" 12.77 "NOW" 12.79 @E2, @I2, AND @F12 SHEET 6: REVISED PORT CL "WAS" (4) "NOW" PORT CL
H	2015/11/02	1. REMASTERED FROM SD-100014-1200_REV 'G' 2. SHEET 3 : G5 : ADDED P/N 1000141903
H1	2016/01/06	CHANGED THE DOCUMENT TYPE FROM RSD TO SD. SHEET1: B19: CHANGED NOTE 4 AND NOTE 5 FROM "DURING INCOMING INSPECTION" TO "DURING FINAL INSPECTION." SHEET6: A19: ADDED NOTE3: THIS DIMENSION IS FOR REFERENCE ONLY. USER CAN MODIFY IT DEPENDS ON APPLICATION. (THIS DIMENSION VARIES BASED ON DISTANCE OF "HOLE OF ADJACENT CAGE" ON PCB LAYOUT.) F16: ADDED 2.40 MIN. B16, F7, C7: CHANGED 2.75 MIN. TO 2.40 MIN.
J	2016/08/16	SHEET 1: D11: ADDED DIM 13.4 REF. SHEET 4: G14: REMOVED DIM 6.60 SHEET 6: J18: ADDED DIM 0.15±0.10 (BEZEL OPENING ABOVE PCB PAD SURFACE)

THIS DRAWING CONTAINS INFORMATION THAT IS PROPRIETARY TO MOLEX ELECTRONIC TECHNOLOGIES, LLC AND SHOULD NOT BE USED WITHOUT WRITTEN PERMISSION										
DIMENSION UNITS	SCALE	CURRENT REV DESC: SEE REVISION TABLE								
mm	1:1	 ZQSFP+ 1X1 CAGE ASSY'S (SPRING FINGER) WITH H/S & L/P OPTIONS PRODUCT CUSTOMER DRAWING								
GENERAL TOLERANCES (UNLESS SPECIFIED)										
ANGULAR TOL	± 2.0°									
4 PLACES	±									
3 PLACES	±									
2 PLACES	± 0.13									
1 PLACE	± 0.25	EC NO: 623918	DRWN: VLOKESHA		2019/08/23		DOCUMENT NUMBER <b>1000141200</b> DOC TYPE PSD DOC PART ASY REVISION <b>L1</b>			
0 PLACES	±	INITIAL REVISION:	DRWN: PGSHETTY		2015/10/21					
DRAFT WHERE APPLICABLE MUST REMAIN WITHIN DIMENSIONS		THIRD ANGLE PROJECTION	DRAWING		SERIES					
			D-SIZE		100014		MATERIAL NUMBER		CUSTOMER	SHEET NUMBER
					SEE DRAWING		GENERAL MARKET		7 OF 8	

REV	DATE	DESCRIPTION
K	2017/09/26	SHEET 3: H6: ADDED LP TAB FEATURE OPTION ON P/N TABLE H9: ADDED NEW P/N 1000141256 IN THE P/N TABLE J9: INDICATED THE LP TAB FEATURE LOCATION
K1	2018/01/30	SHEET 6: J15: CORRECTED PRODUCT VIEW ERROR (COMPONENT APPEARANCE MISSED ) J05: CORRECTED PRODUCT VIEW ERROR (COMPONENT APPEARANCE MISSED )
L	2018/05/24	SHEET 4: ADDED PAD TO HOLES & UPDATED VIEWS TO AVOID CONFUSION SHEET 5: ADDED PAD TO HOLES & UPDATED VIEWS TO AVOID CONFUSION
L1	2019/08/23	SHEET 3 : OBSOLETE P/N 1000141347,1000141440,1000141441,1000141444,1000141446. SHEET 1 : H15 : CHANGED MEASURE LINE FROM CAGE TO SPRING FRINGER, DIMENSION FROM 61.27 REF TO 61.29 REF. SHEET 1 : D10 : CORRECTED MEASURE LINE TO CENTER LINE OF FRONT LEG, DIMENSION FROM 13.4 REF TO 13.40 REF.

THIS DRAWING CONTAINS INFORMATION THAT IS PROPRIETARY TO MOLEX ELECTRONIC TECHNOLOGIES, LLC AND SHOULD NOT BE USED WITHOUT WRITTEN PERMISSION																	
DIMENSION UNITS	SCALE	CURRENT REV DESC: SEE REVISION TABLE															
mm	1:1	 <p>ZQSFP+ 1X1 CAGE ASSY'S (SPRING FINGER) WITH H/S &amp; L/P OPTIONS</p> <p>PRODUCT CUSTOMER DRAWING</p>															
GENERAL TOLERANCES (UNLESS SPECIFIED)																	
ANGULAR TOL	± 2.0°																
4 PLACES	±																
3 PLACES	±																
2 PLACES	± 0.13																
1 PLACE	± 0.25	EC NO: 623918	DRWN: VLOKESHA	2019/08/23	<table border="1"> <tr> <td>DOCUMENT NUMBER</td> <td>DOC TYPE</td> <td>DOC PART</td> <td>REVISION</td> </tr> <tr> <td>1000141200</td> <td>PSD</td> <td>ASY</td> <td>L1</td> </tr> </table>					DOCUMENT NUMBER	DOC TYPE	DOC PART	REVISION	1000141200	PSD	ASY	L1
DOCUMENT NUMBER	DOC TYPE	DOC PART	REVISION														
1000141200	PSD	ASY	L1														
0 PLACES	±	INITIAL REVISION:	DRWN: PGSHETTY	2015/10/21													
DRAFT WHERE APPLICABLE MUST REMAIN WITHIN DIMENSIONS		THIRD ANGLE PROJECTION	DRAWING	SERIES	MATERIAL NUMBER	CUSTOMER	SHEET NUMBER										
			D-SIZE	100014	SEE DRAWING	GENERAL MARKET	8 OF 8										

DOCUMENT STATUS	P1	RELEASE DATE	2019/09/11	08:13:14
-----------------	----	--------------	------------	----------



Компания «Life Electronics» занимается поставками электронных компонентов импортного и отечественного производства от производителей и со складов крупных дистрибьюторов Европы, Америки и Азии.

С конца 2013 года компания активно расширяет линейку поставок компонентов по направлению коаксиальный кабель, кварцевые генераторы и конденсаторы (керамические, пленочные, электролитические), за счёт заключения дистрибьюторских договоров

Мы предлагаем:

- Конкурентоспособные цены и скидки постоянным клиентам.
- Специальные условия для постоянных клиентов.
- Подбор аналогов.
- Поставку компонентов в любых объемах, удовлетворяющих вашим потребностям.
- Приемлемые сроки поставки, возможна ускоренная поставка.
- Доставку товара в любую точку России и стран СНГ.
- Комплексную поставку.
- Работу по проектам и поставку образцов.
- Формирование склада под заказчика.
- Сертификаты соответствия на поставляемую продукцию (по желанию клиента).
- Тестирование поставляемой продукции.
- Поставку компонентов, требующих военную и космическую приемку.
- Входной контроль качества.
- Наличие сертификата ISO.

В составе нашей компании организован Конструкторский отдел, призванный помогать разработчикам, и инженерам.

Конструкторский отдел помогает осуществить:

- Регистрацию проекта у производителя компонентов.
- Техническую поддержку проекта.
- Защиту от снятия компонента с производства.
- Оценку стоимости проекта по компонентам.
- Изготовление тестовой платы монтаж и пусконаладочные работы.



Тел: +7 (812) 336 43 04 (многоканальный)

Email: [org@lifeelectronics.ru](mailto:org@lifeelectronics.ru)