

# NCP3712ASN, SZNCP3712ASN

## Over Voltage Protected High Side Switch

This switch is primarily intended to protect loads from transients by isolating the load from the transient energy rather than absorbing it.

### Features

- Capable of Switching Loads of up to 200 mA without External Rboost
- Switch Shuts Off in Response to an Over Voltage Input Transient
- Features Active Turn Off for Fast Input Transient Protection
- Flexible Over Voltage Protection Threshold Set with External Zener
- Automatic Recovery after Transient Decays Below Threshold
- Withstands Input Transients up to 105 V Peak
- Guaranteed Off State with  $\overline{\text{Enbl}}$  Input
- ESD Resistant in Accordance with the 2000 V Human Body Model
- Extremely Low Saturation Voltage
- SZ Prefix for Automotive and Other Applications Requiring Unique Site and Control Change Requirements; AEC-Q101 Qualified and PPAP Capable
- These are Pb-Free Devices

### Applications Include:

- High Voltage Transient Isolation
- Power Switching to Electronic Modules
- DC Power Distribution in Line Operated Equipment
- Buffering Sensitive Circuits from Poorly Regulated Power Supplies
- Pre-conditioning of Voltage Regulator Input Voltage

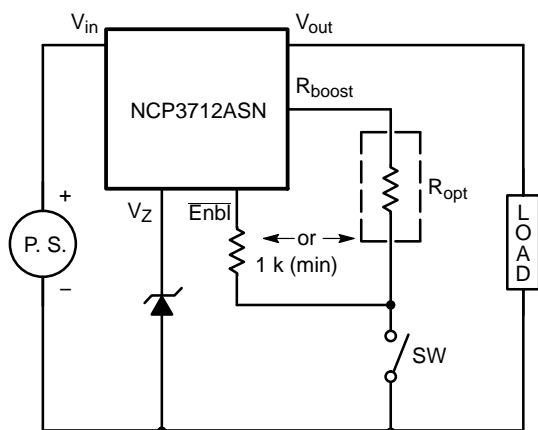


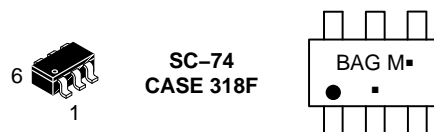
Figure 1. Typical Application Circuit



ON Semiconductor®

<http://onsemi.com>

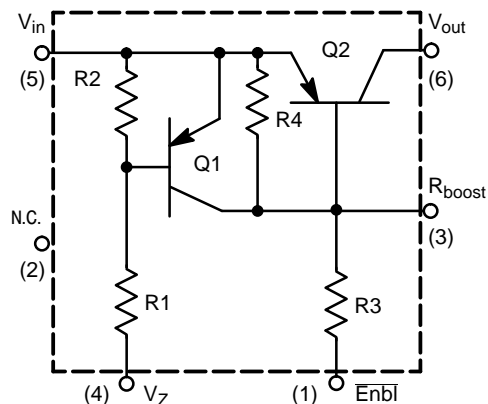
### MARKING DIAGRAM



BAG = Device Code  
M = Date Code  
▪ = Pb-Free Package

(Note: Microdot may be in either location)

### INTERNAL CIRCUIT DIAGRAM/ PIN CONFIGURATION



### ORDERING INFORMATION

Device	Package	Shipping†
NCP3712ASNT1G SZNCP3712ASNT1G	SC-74 (Pb-Free)	3000 / Tape & Reel
NCP3712ASNT3G SZNCP3712ASNT3G	SC-74 (Pb-Free)	10,000 / Tape & Reel

†For information on tape and reel specifications, including part orientation and tape sizes, please refer to our Tape and Reel Packaging Specifications Brochure, BRD8011/D.

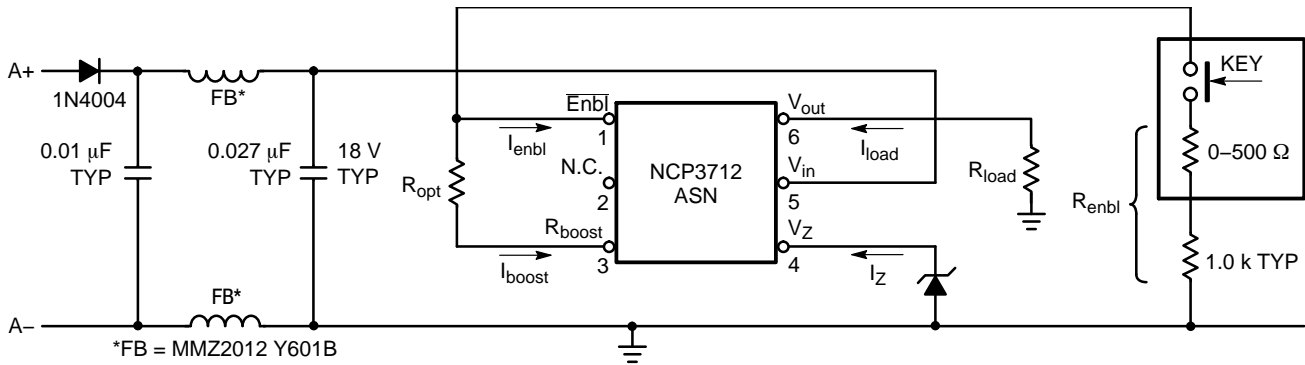
# NCP3712ASN, SZNCP3712ASN

## MAXIMUM RATINGS (T<sub>J</sub> = 25°C unless otherwise noted) (Note 1)

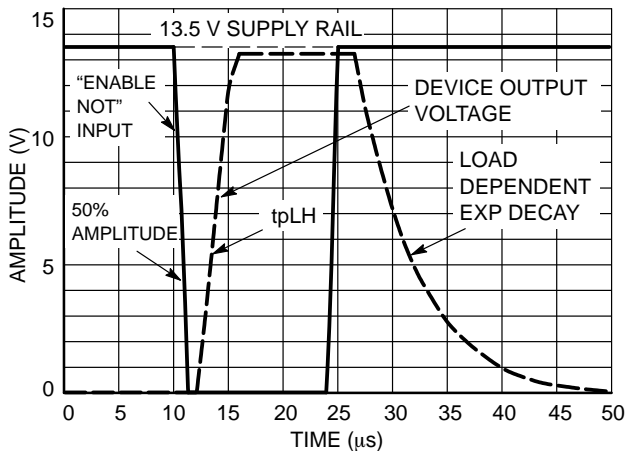
Rating	Symbol	Value	Unit
Input-to-Output Voltage	V <sub>io</sub>	105	V
Reverse Input-to-V <sub>Z</sub> Voltage	V <sub>in(rev)</sub>	-9.0	V
Reverse Input-to-Rboost Voltage	V <sub>in(rev)</sub>	-5.0	V
Output Load Current – Continuous	I <sub>load</sub>	-300	mA
Enbl Input Current – Continuous	I <sub>enbl</sub>	5.0	mA
V <sub>Z</sub> Input Current – Continuous	I <sub>z</sub>	3.0	mA
Rboost Input Current – Continuous	I <sub>boost</sub>	10	mA
Junction Temperature	T <sub>J</sub>	125	°C
Operating Ambient Temperature Range	T <sub>A</sub>	-40 to +85	°C
Storage Temperature Range	T <sub>stg</sub>	-65 to +150	°C
Device Power Dissipation (Minimum Footprint)	P <sub>D</sub>	300	mW
Derate Above 25°C	-	2.4	mW/°C
Latchup Performance:	Positive Negative	I <sub>Latchup</sub> 200 200	mA

Stresses exceeding Maximum Ratings may damage the device. Maximum Ratings are stress ratings only. Functional operation above the Recommended Operating Conditions is not implied. Extended exposure to stresses above the Recommended Operating Conditions may affect device reliability.

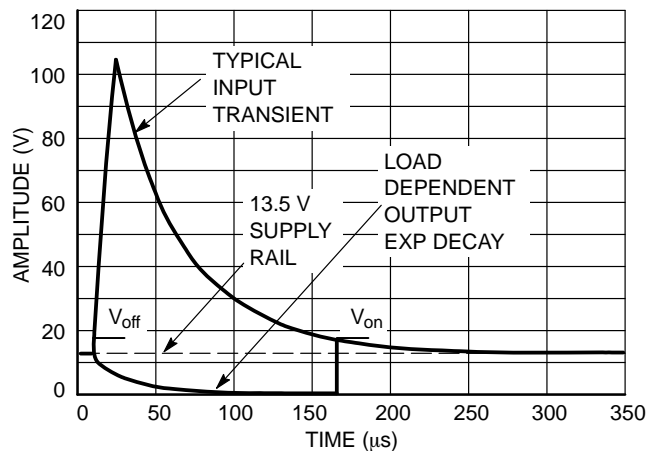
- This device contains ESD protection and exceeds the following tests:  
Human Body Model 1500 V per MIL-STD-883, Method 3015.  
Machine Model Method 150 V.



**Figure 2. Typical Applications Circuit for Load Dump Transient Protection**



**Figure 3. Enable NOT Switching Waveforms**



**Figure 4. Load Dump Waveforms**

# NCP3712ASN, SZNCP3712ASN

## ELECTRICAL CHARACTERISTICS ( $V_{in} = 12.5 V_{DC}$ Ref to Gnd, $T_A = 25^\circ C$ unless otherwise noted.)

Characteristic	Symbol	Min	Typ	Max	Unit
<b>OFF CHARACTERISTICS</b>					
Input-Output Breakdown Voltage (@ $I_{out} = 200 \mu A$ )	$V_{(BRio)}$	105	-	-	Vdc
Output Reverse Breakdown Voltage (@ $I_{out} = -1.0 mA$ Pulse)	$V_{(-BRout)}$	-	-0.7	-	Vdc
Output Leakage Current ( $V_{in} = V_{enbl} = 30 V$ , $T_A = 25^\circ C$ )	$I_{load(off)}$	-	-	-100	$\mu A_{dc}$
Guaranteed "Off" State "ENBL NOT" Voltage ( $I_O \leq 100 \mu A$ )	$V_{enbl(off)}$	13	-	-	Vdc
Required "Off" State $I_z$ Current ( $R_{load} = 100 \Omega$ )	$I_{z(off)}$	150	-	-	$\mu A_{dc}$
$V_{in(off)}$ ( $V_Z = 16 V$ , $I_{load} = 100 mA$ , $R_{enbl} = 1500 \Omega$ )	$V_{off}$	15.5	-	18.7	Vdc

## ON CHARACTERISTICS

Input-Output On Voltage ( $I_O = 100 mA$ , $I_{enbl} = -3.0 mA$ )	$V_{io(on)}$	-	0.2	0.5	Vdc
Output Load Current — Continuous ( $I_{enbl} = -3.0 mA$ , $V_{io(on)} = 0.5 V_{dc}$ ) ( $I_{boost} = -9.0 mA$ , $V_{io(on)} = 0.5 V_{dc}$ ) ( $I_{boost} = -9.0 mA$ , $V_{io(on)} = 0.6 V_{dc}$ )	$I_{O(on)}$	-	-	-200	$m A_{dc}$
$V_{in(on)}$ ( $V_Z = 16 V$ , $I_{load} = 100 mA$ , $R_{enbl} = 1500 \Omega$ )	$V_{on}$	8.5	-	10.5	Vdc
"ENBL NOT" Input Current ( $I_O = 100 mA$ , $V_{io(on)} = 0.35 V_{dc}$ , $R_{enbl} = 1500 \Omega$ )	$I_{enbl}$	-	-	-1.0	$m A_{dc}$

## SWITCHING CHARACTERISTICS

Propagation Delay Time: Hi to Lo Prop Delay; Fig. 3 ( $V_{in} = V_{enbl} = 13.5 V$ ) Lo to Hi Prop Delay; Fig. 3 ( $V_{in} = 13.5 V$ , $V_{enbl} = 0 V$ )	$t_{PHL}$ $t_{PLH}$	-	1.5	-	$\mu S$
Transition Times: Fall Time; Fig. 4 ( $V_{in} = V_{enbl} = 13.5 V$ ) Rise Time; Fig. 4 ( $V_{in} = V_{enbl} = 0 V$ )	$t_f$ $t_r$	-	75	-	$n S$

## INTERNAL RESISTORS

Input Leakage Resistor	R2	7.0	10	13	$k\Omega$
Input Resistor	R1	3.3	4.7	6.1	$k\Omega$
Output Leakage Resistor	R4	1.4	2.4	3.2	$k\Omega$
Enable Input Resistor	R3	1.4	2.4	3.2	$k\Omega$

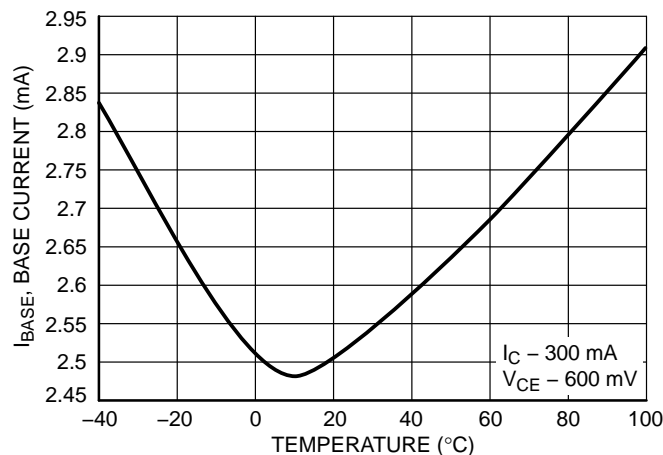
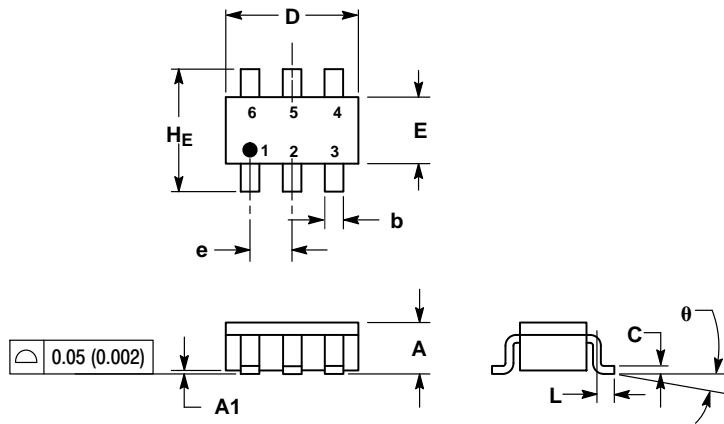


Figure 5. Q2 Base Current vs Temperature with Pin 4 Open

# NCP3712ASN, SZNCP3712ASN

## PACKAGE DIMENSIONS

### SC-74 CASE 318F-05 ISSUE N

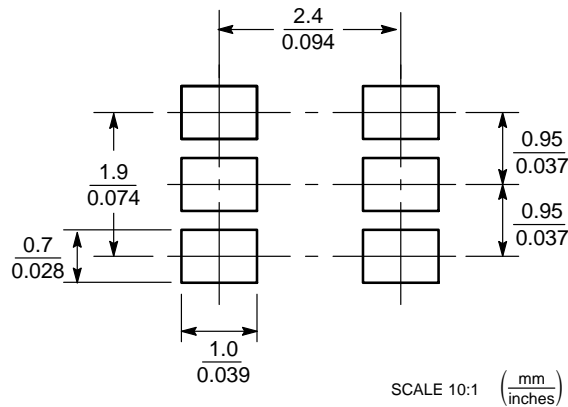


#### NOTES:

1. DIMENSIONING AND TOLERANCING PER ANSI Y14.5M, 1982.
2. CONTROLLING DIMENSION: INCH.
3. MAXIMUM LEAD THICKNESS INCLUDES LEAD FINISH THICKNESS. MINIMUM LEAD THICKNESS IS THE MINIMUM THICKNESS OF BASE MATERIAL.
4. 318F-01, -02, -03, -04 OBSOLETE. NEW STANDARD 318F-05.

DIM	MILLIMETERS			INCHES		
	MIN	NOM	MAX	MIN	NOM	MAX
A	0.90	1.00	1.10	0.035	0.039	0.043
A1	0.01	0.06	0.10	0.001	0.002	0.004
b	0.25	0.37	0.50	0.010	0.015	0.020
c	0.10	0.18	0.26	0.004	0.007	0.010
D	2.90	3.00	3.10	0.114	0.118	0.122
E	1.30	1.50	1.70	0.051	0.059	0.067
e	0.85	0.95	1.05	0.034	0.037	0.041
L	0.20	0.40	0.60	0.008	0.016	0.024
HE	2.50	2.75	3.00	0.099	0.108	0.118
θ	0°	-	10°	0°	-	10°

#### SOLDERING FOOTPRINT\*



SCALE 10:1 ( $\frac{\text{mm}}{\text{inches}}$ )

\*For additional information on our Pb-Free strategy and soldering details, please download the ON Semiconductor Soldering and Mounting Techniques Reference Manual, SOLDERRM/D.

ON Semiconductor and are registered trademarks of Semiconductor Components Industries, LLC (SCILLC). SCILLC reserves the right to make changes without further notice to any products herein. SCILLC makes no warranty, representation or guarantee regarding the suitability of its products for any particular purpose, nor does SCILLC assume any liability arising out of the application or use of any product or circuit, and specifically disclaims any and all liability, including without limitation special, consequential or incidental damages. "Typical" parameters which may be provided in SCILLC data sheets and/or specifications can and do vary in different applications and actual performance may vary over time. All operating parameters, including "Typicals" must be validated for each customer application by customer's technical experts. SCILLC does not convey any license under its patent rights nor the rights of others. SCILLC products are not designed, intended, or authorized for use as components in systems intended for surgical implant into the body, or other applications intended to support or sustain life, or for any other application in which the failure of the SCILLC product could create a situation where personal injury or death may occur. Should Buyer purchase or use SCILLC products for any such unintended or unauthorized application, Buyer shall indemnify and hold SCILLC and its officers, employees, subsidiaries, affiliates, and distributors harmless against all claims, costs, damages, and expenses, and reasonable attorney fees arising out of, directly or indirectly, any claim of personal injury or death associated with such unintended or unauthorized use, even if such claim alleges that SCILLC was negligent regarding the design or manufacture of the part. SCILLC is an Equal Opportunity/Affirmative Action Employer. This literature is subject to all applicable copyright laws and is not for resale in any manner.

#### PUBLICATION ORDERING INFORMATION

**LITERATURE FULFILLMENT:**  
Literature Distribution Center for ON Semiconductor  
P.O. Box 5163, Denver, Colorado 80217 USA  
**Phone:** 303-675-2175 or 800-344-3860 Toll Free USA/Canada  
**Fax:** 303-675-2176 or 800-344-3867 Toll Free USA/Canada  
**Email:** orderlit@onsemi.com

**N. American Technical Support:** 800-282-9855 Toll Free  
USA/Canada  
**Europe, Middle East and Africa Technical Support:**  
Phone: 421 33 790 2910  
**Japan Customer Focus Center**  
Phone: 81-3-5817-1050

**ON Semiconductor Website:** [www.onsemi.com](http://www.onsemi.com)  
**Order Literature:** <http://www.onsemi.com/orderlit>

For additional information, please contact your local Sales Representative

Компания «Life Electronics» занимается поставками электронных компонентов импортного и отечественного производства от производителей и со складов крупных дистрибьюторов Европы, Америки и Азии.

С конца 2013 года компания активно расширяет линейку поставок компонентов по направлению коаксиальный кабель, кварцевые генераторы и конденсаторы (керамические, пленочные, электролитические), за счёт заключения дистрибьюторских договоров

Мы предлагаем:

- Конкурентоспособные цены и скидки постоянным клиентам.
- Специальные условия для постоянных клиентов.
- Подбор аналогов.
- Поставку компонентов в любых объемах, удовлетворяющих вашим потребностям.
- Приемлемые сроки поставки, возможна ускоренная поставка.
- Доставку товара в любую точку России и стран СНГ.
- Комплексную поставку.
- Работу по проектам и поставку образцов.
- Формирование склада под заказчика.
- Сертификаты соответствия на поставляемую продукцию (по желанию клиента).
- Тестирование поставляемой продукции.
- Поставку компонентов, требующих военную и космическую приемку.
- Входной контроль качества.
- Наличие сертификата ISO.

В составе нашей компании организован Конструкторский отдел, призванный помогать разработчикам, и инженерам.

Конструкторский отдел помогает осуществить:

- Регистрацию проекта у производителя компонентов.
- Техническую поддержку проекта.
- Защиту от снятия компонента с производства.
- Оценку стоимости проекта по компонентам.
- Изготовление тестовой платы монтаж и пусконаладочные работы.



Тел: +7 (812) 336 43 04 (многоканальный)  
Email: [org@lifeelectronics.ru](mailto:org@lifeelectronics.ru)