



25 to 600 Watts DC-DC Converters Single, Dual, Triple Output Chassis Mount

Features & Benefits

- RoHS compliant (VE versions)
- Inputs: 10 to 400V_{DC}
- Any output, 1 to 95V_{DC}
- cULus, cTÜVus, CE Marked
- 80 – 90% Efficiency (Typical)
- Up to 27 W/In³
- 1 Up:
2.58" x 2.5" x 0.62" (Junior)
4.9" x 2.5" x 0.62" (Full Size)
- 2 Up:
2.58" x 4.9" x 0.62" (Junior)
4.9" x 4.9" x 0.62" (Full Size)
- 3 Up:
2.58" x 7.3" x 0.62" (Junior)
4.9" x 7.3" x 0.62" (Full Size)
- Low noise ZCS power architecture
- Booster versions available for expanded output power – full size only (add B to part number
Example: VI-LBxx-xx)

Product Highlights

Vicor's MegaMod and MegaMod Jr. Families of single, dual and triple output DC-DC converters provide power system designers with cost effective, high performance, off-the-shelf solutions to applications that might otherwise require a custom supply.

Incorporating standard VI-200 or VI-J00 Family converters in rugged, chassis mount packages, MegaMod and MegaMod Jr.'s can be ordered with single, dual or triple outputs, having a combined output power of up to 600W. Totally isolated outputs eliminate efficiency penalties and output interaction problems.

For on-line product configuration visit:

[MegaMod / MI-MegaMod DC-DC Converters Configurator](#)

Configuration Chart

Substitute VE- for VI- for RoHS compliant versions

Full-Size Modules – MegaMod			Junior-Size Modules – MegaMod Jr		
Configuration	Output Power	# of Modules	Configuration	Output Power	# of Modules
Single Output			Single Output		
VI-L	50 – 200W	1	VI-LJ	25 – 100W	1
VI-M	100 – 400W	2			
VI-N	300 – 600W	3			
Dual Output			Dual Output		
VI-P	100 – 400W	2	VI-PJ	50 – 200W	2
VI-Q	150 – 600W	3			
Triple Output			Triple Output		
VI-R	150 – 600W	3	VI-RJ	75 – 300W	3

Input Voltage

Nominal	Input Range Full Power	Maximum Power (see chart below)		Low Line 75% Max Power Transient ^[a]	
		MegaMod	MegaMod Jr.		
0 = 12V ^{[b][c]}	10 – 20V	(4)	(1)	n/a	22
V = 24V ^{[b][c]}	10 – 36V	(2)	(11)	n/a	n/a
1 = 24V ^[d]	21 – 32V	(8)	(6)	18V	36
W = 24V ^[d]	18 – 36V	(8)	(6)	n/a	n/a
2 = 36V	21 – 56V	(6)	(1)	18V	60
3 = 48V	42 – 60V	(10)	(6)	36V	72
N = 48V	36 – 76V	(10)	(5)	n/a	n/a
4 = 72V	55 – 100V	(9)	(6)	45V	110
T = 110V	66 – 160V	(8)	(5)	n/a	n/a
5 = 150V	100 – 200V	(9)	(6)	85V	215
6 = 300V	200 – 400V	(10)	(6)	170V	425
7 = 150/300V	100 – 375V	(5)	(1)	90V	n/a

Max. Output Per Module	5 – 7.5V Outputs	>7.5V Outputs	<5V Outputs
(1)	50W	75W	10A
(2)	50W ^[e]	75W	15A
(4)	75W	75W	15A
(5)	75W	100W	20A
(6)	100W ^[f]	100W	20A
(7)	100W	150W	30A
(8)	150W	150W	30A
(9)	150W	200W	40A
(10)	200W	200W	40A
(11)	50W	50W	10A

Output Voltage

- Z = 2V
- Y = 3.3V
- 0 = 5V
- X = 5.2V
- W = 5.5V
- V = 5.8V
- T = 6.5V
- R = 7.5V
- M = 10V
- 1 = 12V
- P = 13.8V
- 2 = 15V
- N = 18.5V
- 3 = 24V
- L = 28V
- J = 36V
- K = 40V
- 4 = 48V
- H = 52V
- F = 72V
- D = 85V
- B = 95V

[a] Transient voltage for 1 second.

[b] Single output configurations of 225W are limited to +55°C ambient and are available by special order.

[c] Dual and triple output configurations totaling 225W are limited to +55°C ambient.

[d] Single, dual, and triple output configurations totaling 450W are limited to +55°C.

[e] 7.5V output is 75W

[f] 6.5V and 7.5V output is 75W

Product Grade Temperature (°C)

MegaMod	MegaMod Jr.
E = -10 to +85	-10 to +100
C = -25 to +85	-25 to +100
I = -40 to +85	-40 to +100
M = -55 to +85	-55 to +100

Refers to Baseplate Temperature

Output Power/Current

MegaMod		MegaMod Jr.	
V _{OUT} ≥ 5V	V _{OUT} < 5V	V _{OUT} ≥ 5V	V _{OUT} < 5V
Y = 50W	Y = 10A	Z = 25W	Z = 5A
X = 75W	X = 15A	Y = 50W	Y = 10A
W = 100W	W = 20A	X = 75W	X = 15A
V = 150W	V = 30A	W = 100W	W = 20A
U = 200W	U = 40A		

Output Power/Current

V _{OUT} ≥ 5V	V _{OUT} < 5V
W = 100W	W = 20A
V = 150W	V = 30A
U = 200W	U = 40A
S = 300W	S = 60A
Q = 400W	Q = 80A

Output Power/Current

V _{OUT} ≥ 5V	V _{OUT} < 5V
S = 300W	S = 60A
P = 450W	P = 90A
M = 600W	M = 120A

MegaMod Specifications

(typical at T_{BP} = 25°C, nominal line, 75% load, unless otherwise specified)

INPUT SPECIFICATIONS

Parameter	MegaMod (E-Grade)			MegaMod (C-, I-, M-Grade)			Unit	Test Conditions
	Min	Typ	Max	Min	Typ	Max		
Inrush charge		120x10 ⁻⁶			120x10 ⁻⁶	200x10 ⁻⁶	Coulombs	Nom. line, per module
Input reflected ripple current – pp		10%			10%		I _{IN}	Nom. line, full load
Input ripple rejection		25+20Log $\left(\frac{V_{IN}}{V_{OUT}}\right)$			30+20Log $\left(\frac{V_{IN}}{V_{OUT}}\right)$		dB	120Hz, nom. line
					20+20Log $\left(\frac{V_{IN}}{V_{OUT}}\right)$		dB	2400Hz, nom. line
No load power dissipation		1.35	2		1.35	2	Watts	Per module

OUTPUT SPECIFICATIONS

Parameter	MegaMod (E-Grade)			MegaMod (C-, I-, M-Grade)			Units	Test Conditions
	Min	Typ	Max	Min	Typ	Max		
Setpoint accuracy		1%	2%		0.5%	1%	V _{NOM}	
Load / line regulation			0.5%		0.05%	0.2%	V _{NOM}	LL to HL, 10% to FL
			1%		0.2%	0.5%	V _{NOM}	LL to HL, NL to 10%
Output temperature drift		0.02			0.01	0.02	% / °C	Over rated temp.
Long term drift		0.02			0.02		%/1K hours	
Output ripple - pp								
2V, 3.3V			150		60	100	mV	20MHz bandwidth
5V			5%		2%	3%	V _{NOM}	20MHz bandwidth
10 – 95V			3%		0.75%	1.5%	V _{NOM}	20MHz bandwidth
Output voltage trimming ^[a]	50%		110%	50%		110%	V _{NOM}	
Total remote sense compensation	0.5			0.5			Volts	0.25V max. neg. leg
OVP setpoint ^[b]		125%		115%	125%	135%	V _{NOM}	Recycle power
Current limit	105%		135%	105%		125%	I _{NOM}	Automatic restart
Short circuit current ^[c]	20%		140%	20%		130%	I _{NOM}	

^[a] 10V to 15V outputs, or “V” input range have standard trim range ±10%. Consult factory for wider trim range. 95V output -50 + 0% trim range.

^[b] 131% typical for booster modules.

^[c] Output voltages of 5V or less incorporate foldback current limiting; outputs of 10V and above contain straight-line limiting.

CONTROL PIN SPECIFICATIONS

Parameter	MegaMod (E-Grade)			MegaMod (C-, I-, M-Grade)			Units	Test Conditions
	Min	Typ	Max	Min	Typ	Max		
Gate out impedance		50			50		Ohms	
Gate in impedance		10 ³			10 ³		Ohms	
Gate in open circuit voltage		6			6		Volts	Use open collector
Gate in low threshold	0.65			0.65			Volts	
Gate in low current			6			6	mA	
Power sharing accuracy	0.95		1.05	0.95		1.05		

MegaMod Specifications (Cont.)

DIELECTRIC WITHSTAND CHARACTERISTICS

Parameter	MegaMod (E-Grade)			MegaMod (C-, I-, M-Grade)			Unit	Test Conditions
	Min	Typ	Max	Min	Typ	Max		
Input to output	3,000			3,000			V _{RMS}	Baseplate earthed
Output to baseplate	500			500			V _{RMS}	
Input to baseplate	1,500			1,500			V _{RMS}	

THERMAL CHARACTERISTICS

Parameter	MegaMod (E-Grade)			MegaMod (C-, I-, M-Grade)			Units	Test Conditions
	Min	Typ	Max	Min	Typ	Max		
Efficiency		78-88%			80 – 90%			
Baseplate to chassis		0.1			0.1		°C/Watt	
Thermal Shutdown (drivers only)	90	95	105	90	95	105	°C	Baseplate (Cool and recycle power to restart)

MECHANICAL SPECIFICATIONS

Parameter	MegaMod (E-Grade)			MegaMod (C-, I-, M-Grade)			Units	Test Conditions
	Min	Typ	Max	Min	Typ	Max		
Weight								
1 Up		9.0 (255)			9.0 (255)		Ounces (Grams)	
2 Up		1.2 (545)			1.2 (545)		Lbs. (Grams)	
3 Up		1.7 (772)			1.7 (772)		Lbs. (Grams)	

MegaMod Jr. Specifications

(typical at $T_{BP} = 25^{\circ}\text{C}$, nominal line, 75% load, unless otherwise specified)

INPUT SPECIFICATIONS

Parameter	MegaMod Jr. (E-Grade)			MegaMod Jr. (C-, I-, M-Grade)			Unit	Test Conditions
	Min	Typ	Max	Min	Typ	Max		
Inrush charge		60×10^{-6}	100×10^{-6}		60×10^{-6}	100×10^{-6}	Coulombs	Nom. line, per module
Input reflected ripple current — pp		10%			10%		I_{IN}	Nom. line, full load
Input ripple rejection		$25 + 20 \text{Log} \left(\frac{V_{IN}}{V_{OUT}} \right)$			$30 + 20 \text{Log} \left(\frac{V_{IN}}{V_{OUT}} \right)$		dB	120Hz, nom. line
					$20 + 20 \text{Log} \left(\frac{V_{IN}}{V_{OUT}} \right)$		dB	2400Hz, nom. line
No load power dissipation		1.35	2		1.35	2	Watts	Per module

OUTPUT SPECIFICATIONS

Parameter	MegaMod Jr. (E-Grade)			MegaMod Jr. (C-, I-, M-Grade)			Units	Test Conditions
	Min	Typ	Max	Min	Typ	Max		
Setpoint accuracy		1.0%	2.0%		0.5%	1%	V_{NOM}	
Load/line regulation			0.5%		0.05%	0.2%	V_{NOM}	LL to HL, 10% to FL
			1.0%		0.2%	0.5%	V_{NOM}	LL to HL, NL to 10%
Output temperature drift		0.02			0.01		%/°C	Over rated temp.
Long term drift		0.02			0.02		%/1K hours	
Output ripple, pp								
2V, 3.3V		200			100	150	mV	20MHz bandwidth
5V		5%			2%	3%	V_{NOM}	20MHz bandwidth
10V – 95V		3%			0.75%	1.5%	V_{NOM}	20MHz bandwidth
Output voltage trimming [a]	50%		110%	50%		110%	V_{NOM}	
Total remote sense compensation	0.5			0.5			Volts	0.25V max. neg. leg
OVP setpoint		N/A			N/A			
Current limit	105%		135%	105%		125%	I_{NOM}	Automatic restart
Short circuit current	105%		140%	105%		130%	I_{NOM}	

[a] 10V to 15V outputs, standard trim range $\pm 10\%$. Consult factory for wider trim range. 95 Vout cannot be trimmed up.

CONTROL PIN SPECIFICATIONS

Parameter	MegaMod Jr. (E-Grade)			MegaMod Jr. (C-, I-, M-Grade)			Units	Test Conditions
	Min	Typ	Max	Min	Typ	Max		
Gate out impedance		50			50		Ohms	
Gate in impedance		1,000			1,000		Ohms	
Gate in high threshold		6			6		Volts	Use open collector
Gate in low threshold	0.65			0.65			Volts	
Gate in low current			6			6	mA	

MegaMod Jr. Specifications (Cont.)

DIELECTRIC WITHSTAND CHARACTERISTICS

Parameter	MegaMod Jr. (E-Grade)			MegaMod Jr. (C-, I-, M-Grade)			Unit	Test Conditions
	Min	Typ	Max	Min	Typ	Max		
Input to output	3,000			3,000			V _{RMS}	Baseplate earthed
Output to baseplate	500			500			V _{RMS}	
Input to baseplate	1,500			1,500			V _{RMS}	

THERMAL CHARACTERISTICS

Parameter	MegaMod Jr. (E-Grade)			MegaMod Jr. (C-, I-, M-Grade)			Units	Test Conditions
	Min	Typ	Max	Min	Typ	Max		
Efficiency		78 – 88%			80 – 90%			
Baseplate to chassis		0.2			0.2		°C/Watt	

MECHANICAL SPECIFICATIONS

Parameter	MegaMod Jr. (E-Grade)			MegaMod Jr. (C-, I-, M-Grade)			Units	Test Conditions
	Min	Typ	Max	Min	Typ	Max		
Weight								
1 Up		4.5 (127)			4.5 (127)		Ounces (Grams)	
2 Up		8.8 (250)			8.8 (250)		Ounces (Grams)	
3 Up		13.3 (377)			13.3 (377)		Ounces (Grams)	

MegaMod Mechanical Specifications

Inputs	
1 -Input	5 Gate Out #2
2 Gate Out #1	6 Gate In #2
3 Gate In #1	7 Gate Out #3
4 +Input	8 Gate In #3

Outputs		
Output #1	Output #2	Output #3
A -Output	F -Output	L -Output
B -Sense*	G -Sense	M -Sense
C Trim*	H Trim	N Trim
D +Sense*	J +Sense	P +Sense
E +Output	K +Output	Q +Output

*For Units with BatMod
 B-IMON
 C-ITRIM
 D-VTRIM

Inputs

Outputs



Side view (all models)

L- and LJ-Series

L- and LJ-Series



P- and PJ-Series

M-Series

M-Series

P- and PJ-Series



Mounting Information

Use #6 machine hardware torqued to 5-7 in-lbs.

R- and RJ-Series

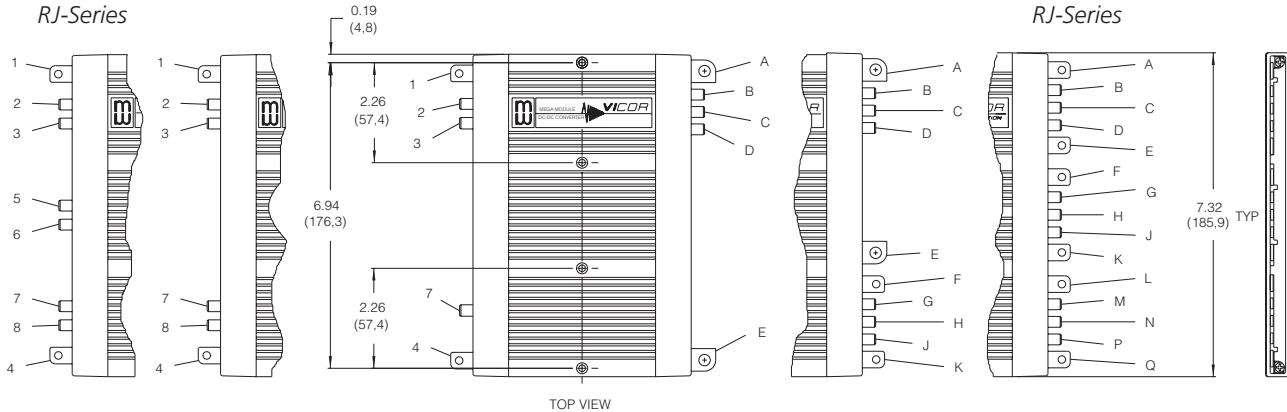
Q-Series

N-Series

N-Series

Q-Series

R- and RJ-Series



Terminal and Product Model	Terminal Style	Screw Size	Recommended Torque
-Input, +Input			
All models	PCB	8-32 UNC	10 in-lb (1.1 N-m)
-Output, +Output			
L-, P-, R-, LJ-, PJ-, and RJ-Series	PCB	8-32 UNC	10 in-lb (1.1 N-m)
M- & N-Series	Metal	1/4-20 UNC	65 in-lb (7.2 N-m)
Q-Series	PCB	8-32 UNC	10 in-lb (1.1 N-m)
Supervisory	Metal	1/4-20 UNC	65 in-lb (7.2 N-m)
All models	Sized to accept AMP Faston® insulated receptacle #2-520184-2		

Vicor's comprehensive line of power solutions includes high density AC-DC and DC-DC modules and accessory components, fully configurable AC-DC and DC-DC power supplies, and complete custom power systems.

Information furnished by Vicor is believed to be accurate and reliable. However, no responsibility is assumed by Vicor for its use. Vicor makes no representations or warranties with respect to the accuracy or completeness of the contents of this publication. Vicor reserves the right to make changes to any products, specifications, and product descriptions at any time without notice. Information published by Vicor has been checked and is believed to be accurate at the time it was printed; however, Vicor assumes no responsibility for inaccuracies. Testing and other quality controls are used to the extent Vicor deems necessary to support Vicor's product warranty. Except where mandated by government requirements, testing of all parameters of each product is not necessarily performed.

Specifications are subject to change without notice.

Vicor's Standard Terms and Conditions

All sales are subject to Vicor's Standard Terms and Conditions of Sale, which are available on Vicor's webpage or upon request.

Product Warranty

In Vicor's standard terms and conditions of sale, Vicor warrants that its products are free from non-conformity to its Standard Specifications (the "Express Limited Warranty"). This warranty is extended only to the original Buyer for the period expiring two (2) years after the date of shipment and is not transferable.

UNLESS OTHERWISE EXPRESSLY STATED IN A WRITTEN SALES AGREEMENT SIGNED BY A DULY AUTHORIZED VICOR SIGNATORY, VICOR DISCLAIMS ALL REPRESENTATIONS, LIABILITIES, AND WARRANTIES OF ANY KIND (WHETHER ARISING BY IMPLICATION OR BY OPERATION OF LAW) WITH RESPECT TO THE PRODUCTS, INCLUDING, WITHOUT LIMITATION, ANY WARRANTIES OR REPRESENTATIONS AS TO MERCHANTABILITY, FITNESS FOR PARTICULAR PURPOSE, INFRINGEMENT OF ANY PATENT, COPYRIGHT, OR OTHER INTELLECTUAL PROPERTY RIGHT, OR ANY OTHER MATTER.

This warranty does not extend to products subjected to misuse, accident, or improper application, maintenance, or storage. Vicor shall not be liable for collateral or consequential damage. Vicor disclaims any and all liability arising out of the application or use of any product or circuit and assumes no liability for applications assistance or buyer product design. Buyers are responsible for their products and applications using Vicor products and components. Prior to using or distributing any products that include Vicor components, buyers should provide adequate design, testing and operating safeguards.

Vicor will repair or replace defective products in accordance with its own best judgment. For service under this warranty, the buyer must contact Vicor to obtain a Return Material Authorization (RMA) number and shipping instructions. Products returned without prior authorization will be returned to the buyer. The buyer will pay all charges incurred in returning the product to the factory. Vicor will pay all reshipment charges if the product was defective within the terms of this warranty.

Life Support Policy

VICOR'S PRODUCTS ARE NOT AUTHORIZED FOR USE AS CRITICAL COMPONENTS IN LIFE SUPPORT DEVICES OR SYSTEMS WITHOUT THE EXPRESS PRIOR WRITTEN APPROVAL OF THE CHIEF EXECUTIVE OFFICER AND GENERAL COUNSEL OF VICOR CORPORATION. As used herein, life support devices or systems are devices which (a) are intended for surgical implant into the body, or (b) support or sustain life and whose failure to perform when properly used in accordance with instructions for use provided in the labeling can be reasonably expected to result in a significant injury to the user. A critical component is any component in a life support device or system whose failure to perform can be reasonably expected to cause the failure of the life support device or system or to affect its safety or effectiveness. Per Vicor Terms and Conditions of Sale, the user of Vicor products and components in life support applications assumes all risks of such use and indemnifies Vicor against all liability and damages.

Intellectual Property Notice

Vicor and its subsidiaries own Intellectual Property (including issued U.S. and pending patent applications) relating to the products described in this data sheet. No license, whether express, implied, or arising by estoppel or otherwise, to any intellectual property rights is granted by this document. Interested parties should contact Vicor's Intellectual Property Department.

Vicor Corporation

25 Frontage Road
Andover, MA, USA 01810
Tel: 800-735-6200
Fax: 978-475-6715

email

Customer Service: custserv@vicorpower.com
Technical Support: apps@vicorpower.com

Mouser Electronics

Authorized Distributor

Click to View Pricing, Inventory, Delivery & Lifecycle Information:

Vicor:

[VI-PJ30M-EZZ](#) [VI-PJ30M-IYX](#) [VI-PJ30Y-CYY](#) [VI-PJ30Y-EZZ](#) [VI-PJ310-EWZ](#) [VI-PJ310-EYZ](#) [VI-PJ310-EZY](#) [VI-PJ310-EZZ](#) [VI-PJ311-CWW](#) [VI-PJ311-CXX](#) [VI-PJ311-CXY](#) [VI-PJ311-CYY](#) [VI-PJ311-CZX](#) [VI-PJ311-CZZ](#) [VI-PJ311-EWY](#) [VI-PJ311-EXX](#) [VI-PJ311-EYZ](#) [VI-PJ311-EZZ](#) [VI-RJ0011-IYZZ](#) [VI-RJ0011-IZYY](#) [VI-RJ0011-IZZZ](#) [VI-RJ0011-MZZZ](#) [VI-RJ0012-CZZZ](#) [VI-RJ0012-EYYY](#) [VI-R5013-CYYW](#) [VI-R5014-CYYU](#) [VI-R5022-CVWW](#) [VI-R5022-CVWX](#) [VI-R5022-CVYY](#) [VI-R5022-CWWW](#) [VI-R5022-CYYY](#) [VI-R5022-EWXX](#) [VI-R5022-EYYY](#) [VI-R5022-IWXX](#) [VI-R5022-IWXY](#) [VI-R5022-IWYY](#) [VI-R5022-IYYY](#) [VI-RJ0000-EYZZ](#) [VI-RJ0000-EZZZ](#) [VI-RJ0000-IYYZ](#) [VI-RJ0001-CYYZ](#) [VI-RJ0001-CYZZ](#) [VI-RJ0001-CZZY](#) [VI-RJ0001-CZZZ](#) [VI-RJ0001-EYYY](#) [VI-RJ0001-EYZZ](#) [VI-RJ0001-EZZZ](#) [VI-RJ0001-IYYZ](#) [VI-RJ0001-IYZZ](#) [VI-RJ0002-CYYY](#) [VI-PJ111-CYZ](#) [VI-PJ111-CZZ](#) [VI-PJ111-EWW](#) [VI-PJ111-EXX](#) [VI-PJ111-EYY](#) [VI-PJ111-EYZ](#) [VI-PJ111-EZZ](#) [VI-PJ111-IYY](#) [VI-PJ111-IZZ](#) [VI-PJ111-MZZ](#) [VI-PJ112-EXX](#) [VI-PJ113-CYY](#) [VI-PJ113-CZY](#) [VI-PJ113-CZZ](#) [VI-PJ113-EYY](#) [VI-PJ113-EZZ](#) [VI-PJ113-IYY](#) [VI-PJ114-CYY](#) [VI-PJ114-CZZ](#) [VI-PJ11L-CZW](#) [VI-PJ11Y-CZY](#) [VI-PJ120-CWX](#) [VI-PJ120-CWZ](#) [VI-PJ120-CXZ](#) [VI-PJ120-CYY](#) [VI-PJ120-EWZ](#) [VI-R6333-CUUU](#) [VI-R633M-CVWW](#) [VI-R63R2-EVWV](#) [VI-R63R2-EVWW](#) [VI-R6440-EUUY](#) [VI-R6444-CUUU](#) [VI-R6444-CVVV](#) [VI-R6444-EUUU](#) [VI-R6444-EVVV](#) [VI-R644L-CWWW](#) [VI-RJ0022-EYZZ](#) [VI-RJ0022-EZZZ](#) [VI-RJ0022-IZZZ](#) [VI-RJ0023-EYYY](#) [VI-RJ0023-EZYY](#) [VI-RJ0023-EZZX](#) [VI-RJ0023-EZZY](#) [VI-RJ0023-EZZZ](#) [VI-RJ002L-EYYY](#) [VI-RJ002L-IYYY](#) [VI-RJ0031-CZZZ](#) [VI-RJ0033-CZYY](#) [VI-RJ00M2-CZZZ](#) [VI-RJ00MN-EZZY](#)

Компания «Life Electronics» занимается поставками электронных компонентов импортного и отечественного производства от производителей и со складов крупных дистрибьюторов Европы, Америки и Азии.

С конца 2013 года компания активно расширяет линейку поставок компонентов по направлению коаксиальный кабель, кварцевые генераторы и конденсаторы (керамические, пленочные, электролитические), за счёт заключения дистрибьюторских договоров

Мы предлагаем:

- Конкурентоспособные цены и скидки постоянным клиентам.
- Специальные условия для постоянных клиентов.
- Подбор аналогов.
- Поставку компонентов в любых объемах, удовлетворяющих вашим потребностям.
- Приемлемые сроки поставки, возможна ускоренная поставка.
- Доставку товара в любую точку России и стран СНГ.
- Комплексную поставку.
- Работу по проектам и поставку образцов.
- Формирование склада под заказчика.
- Сертификаты соответствия на поставляемую продукцию (по желанию клиента).
- Тестирование поставляемой продукции.
- Поставку компонентов, требующих военную и космическую приемку.
- Входной контроль качества.
- Наличие сертификата ISO.

В составе нашей компании организован Конструкторский отдел, призванный помогать разработчикам, и инженерам.

Конструкторский отдел помогает осуществить:

- Регистрацию проекта у производителя компонентов.
- Техническую поддержку проекта.
- Защиту от снятия компонента с производства.
- Оценку стоимости проекта по компонентам.
- Изготовление тестовой платы монтаж и пусконаладочные работы.



Тел: +7 (812) 336 43 04 (многоканальный)
Email: org@lifeelectronics.ru