



Main

| | |
|---------------------------|------------------------|
| Range of product | Modicon TM5 |
| Product or component type | Discrete output module |
| Discrete output number | 2 |
| Discrete output type | Relay |

Complementary

| | |
|---------------------------|---|
| Range compatibility | Modicon LMC058 Modicon M258 PacDrive LMC motion controller |
| Product compatibility | Motion controller Logic controller PacDrive LMC Pro PacDrive LMC Eco PacDrive LMC Pro 2 |
| Output voltage | 230 V AC 30 V DC |
| Output voltage limits | 184...276 V AC 24...36 V DC |
| Discrete output function | 2 C/O |
| Current per channel | 5 A |
| Current per output common | <= 10 A |
| Color | Black |
| Response time | <= 10 ms from state 0 to state 1 output <= 10 ms from state 1 to state 0 output |
| Protection type | Reverse polarity protection Without short-circuit protection Without overload protection |
| Isolation | No insulation between channels 500 Vrms AC insulation between channel and bus |
| Current consumption | 90 mA 5 V DC bus |
| Power dissipation in W | <= 2.45 W |
| Marking | CE |
| Product weight | 0.06 lb(US) (0.025 kg) |

Environment

| | |
|---------------------------------------|--|
| standards | CSA C22.2 No 142 IEC 61131-2 UL 508 CSA C22.2 No 213 |
| product certifications | CSA C-Tick CULus GOST-R |
| ambient air temperature for operation | 14...122 °F (-10...50 °C) vertical installation 14...140 °F (-10...60 °C) with derating factor horizontal installation 14...131 °F (-10...55 °C) without derating factor horizontal installation |
| ambient air temperature for storage | -40...158 °F (-40...70 °C) |
| relative humidity | 5...95 % without condensation |

The information provided in this documentation contains general descriptions and/or technical characteristics of the products contained herein. This documentation is not intended as a substitute for and is not to be used for determining suitability or reliability of these products for specific user applications. It is the duty of any such user or integrator to perform the appropriate and complete risk analysis, evaluation and testing of the products with respect to the relevant specific application or use thereof. Neither Schneider Electric Industries SAS nor any of its affiliates or subsidiaries shall be responsible or liable for misuse of the information contained herein.

| | |
|-------------------------------|--|
| IP degree of protection | IP20 conforming to IEC 61131-2 |
| pollution degree | 2 conforming to IEC 60664 |
| operating altitude | 0...6561.68 ft (0...2000 m) |
| storage altitude | 0...9842.52 ft (0...3000 m) |
| vibration resistance | 1 gn (f = 8.4...150 Hz) DIN rail 3.5 mm (f = 5...8.4 Hz) DIN rail |
| shock resistance | 15 gn 11 ms |
| electromagnetic compatibility | Conducted and radiated emissions conforming to CISPR 11 Conducted RF disturbances conforming to EN/IEC 61000-4-6 Electrostatic discharge immunity test (4 kV - on contact) conforming to EN/IEC 61000-4-2 Electrostatic discharge immunity test (8 kV - in air) conforming to EN/IEC 61000-4-2 Susceptibility to electromagnetic fields (1 V/m - 2...2.7 GHz) conforming to EN/IEC 61000-4-3 Susceptibility to electromagnetic fields (10 V/m - 80...2000 MHz) conforming to EN/IEC 61000-4-3 Electrical fast transient/burst immunity test (1 kV - I/O) conforming to EN/IEC 61000-4-4 Electrical fast transient/burst immunity test (1 kV - shielded cable) conforming to EN/IEC 61000-4-4 Electrical fast transient/burst immunity test (2 kV - power lines) conforming to EN/IEC 61000-4-4 1.2/50 μ s shock waves immunity test (0.5 kV - differential mode) conforming to EN/IEC 61000-4-5 1.2/50 μ s shock waves immunity test (1 kV - common mode) conforming to EN/IEC 61000-4-5 |

Offer Sustainability

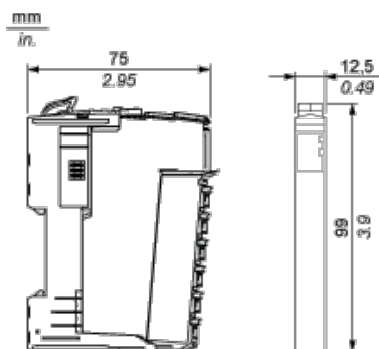
| | |
|--|--|
| Green Premium product | Green Premium product |
| Compliant - since 1039 - Schneider Electric declaration of conformity | Compliant - since 1039 - Schneider Electric declaration of conformity |
| Reference not containing SVHC above the threshold | Reference not containing SVHC above the threshold |
| Available | Available |
| Available | Available |
| WARNING: This product can expose you to chemicals including: | WARNING: This product can expose you to chemicals including: |
| Lead and lead compounds, which is known to the State of California to cause cancer and birth defects or other reproductive harm. | Lead and lead compounds, which is known to the State of California to cause cancer and birth defects or other reproductive harm. |
| For more information go to www.p65warnings.ca.gov | For more information go to www.p65warnings.ca.gov |

Contractual warranty

| | |
|-----------------|-----------|
| Warranty period | 18 months |
|-----------------|-----------|

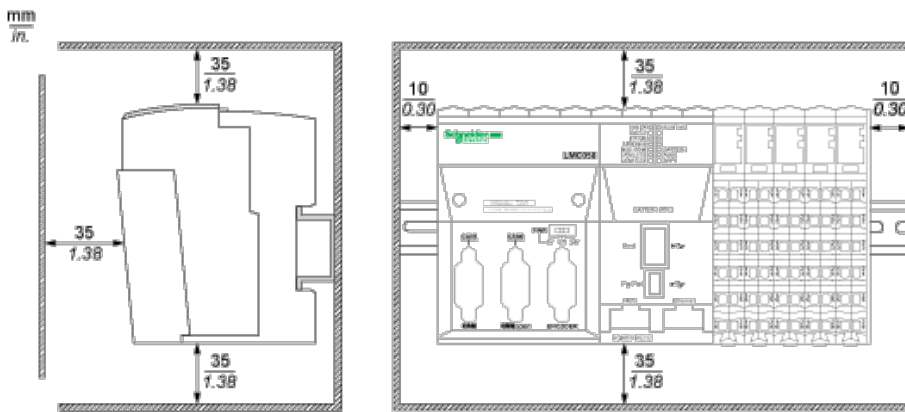
TM5 Slice

Dimensions

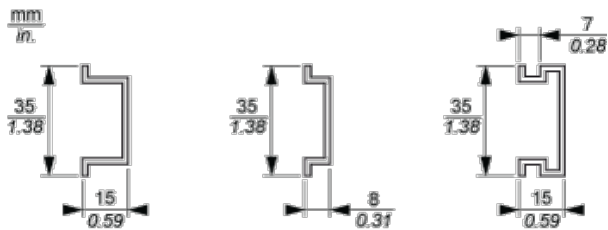


TM5 System

Spacing Requirements







Mounting on a DIN Rail



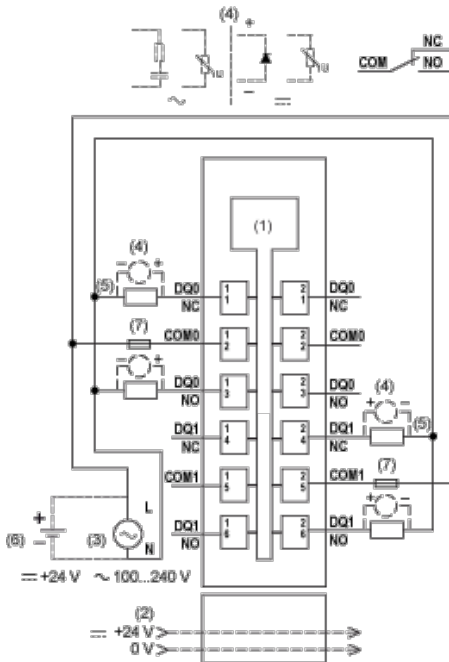
TM5 System Wiring Recommendations

Wire Sizes to Use with the Removable Spring Terminal Blocks

| mm in. |  |  |  |  |
|-----------------|---|---|---|---|
| mm ² | 0,08...2,5 | 0,25...2,5 | 0,25...1,5 | 2 x 0,25...2 x 0,75 |
| AWG | 28...14 | 24...14 | 24...16 | 2 x 24...2 x 18 |

Electronic Module 2DO 30 Vdc/230 Vac 5 A Relay C/O

Wiring Diagram



- (1) Internal electronics
- (2) 24 Vdc I/O power segment integrated into the bus bases
- (3) External power supply 100...240 Vac
- (4) Inductive load protection
- (5) 2-wire load
- (6) External power supply 24 Vdc

(7) External fuse type T slow-blow 5 A - 250 V

Компания «Life Electronics» занимается поставками электронных компонентов импортного и отечественного производства от производителей и со складов крупных дистрибьюторов Европы, Америки и Азии.

С конца 2013 года компания активно расширяет линейку поставок компонентов по направлению коаксиальный кабель, кварцевые генераторы и конденсаторы (керамические, пленочные, электролитические), за счёт заключения дистрибьюторских договоров

Мы предлагаем:

- Конкуренспособные цены и скидки постоянным клиентам.
- Специальные условия для постоянных клиентов.
- Подбор аналогов.
- Поставку компонентов в любых объемах, удовлетворяющих вашим потребностям.
- Приемлемые сроки поставки, возможна ускоренная поставка.
- Доставку товара в любую точку России и стран СНГ.
- Комплексную поставку.
- Работу по проектам и поставку образцов.
- Формирование склада под заказчика.
- Сертификаты соответствия на поставляемую продукцию (по желанию клиента).
- Тестирование поставляемой продукции.
- Поставку компонентов, требующих военную и космическую приемку.
- Входной контроль качества.
- Наличие сертификата ISO.

В составе нашей компании организован Конструкторский отдел, призванный помогать разработчикам, и инженерам.

Конструкторский отдел помогает осуществить:

- Регистрацию проекта у производителя компонентов.
- Техническую поддержку проекта.
- Защиту от снятия компонента с производства.
- Оценку стоимости проекта по компонентам.
- Изготовление тестовой платы монтаж и пусконаладочные работы.



Тел: +7 (812) 336 43 04 (многоканальный)
Email: org@lifeelectronics.ru