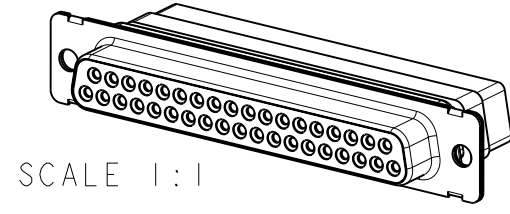
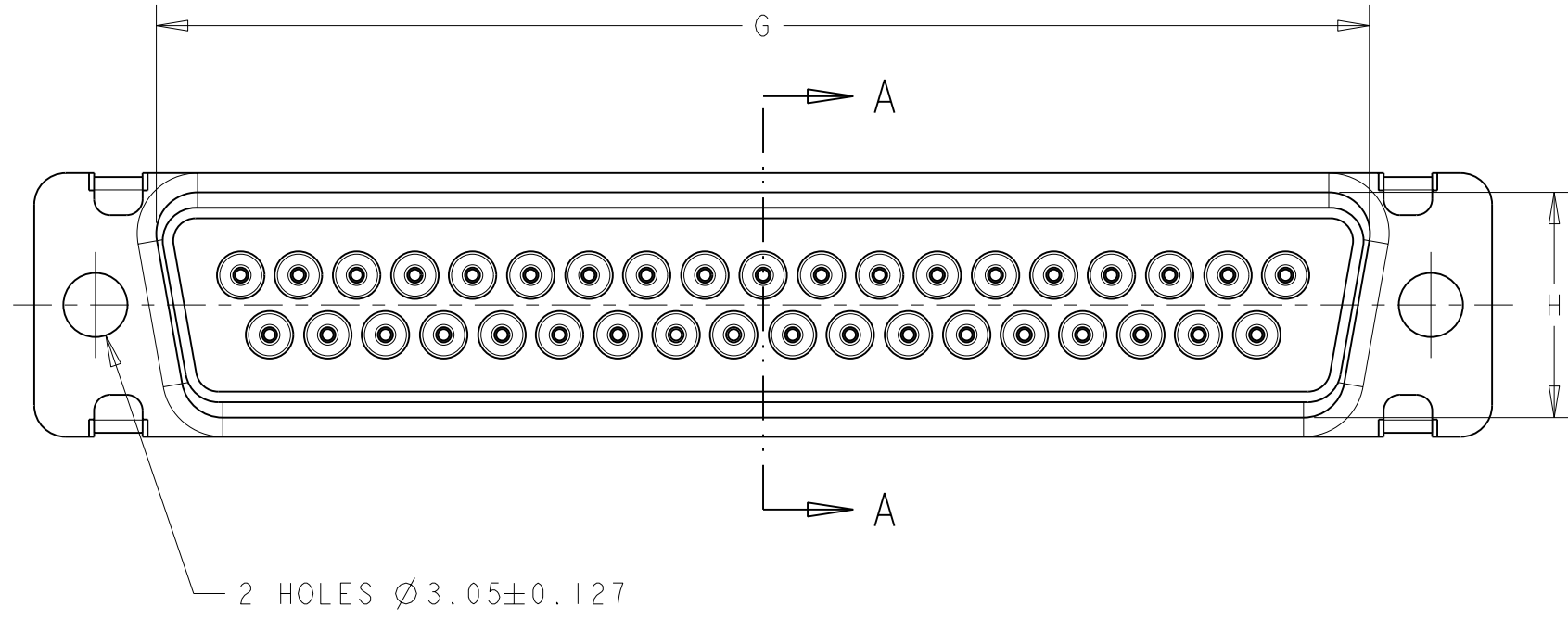


LOC	DIST	REVISIONS					
F	00	P	LTR	DESCRIPTION	DATE	DWN	APVD
		C		CLARIFICATIONS	23APR2009	JT	YP
		D		CHANGE FORMAT AND MODIF NOTE 5	28OCT2011	JT	YP

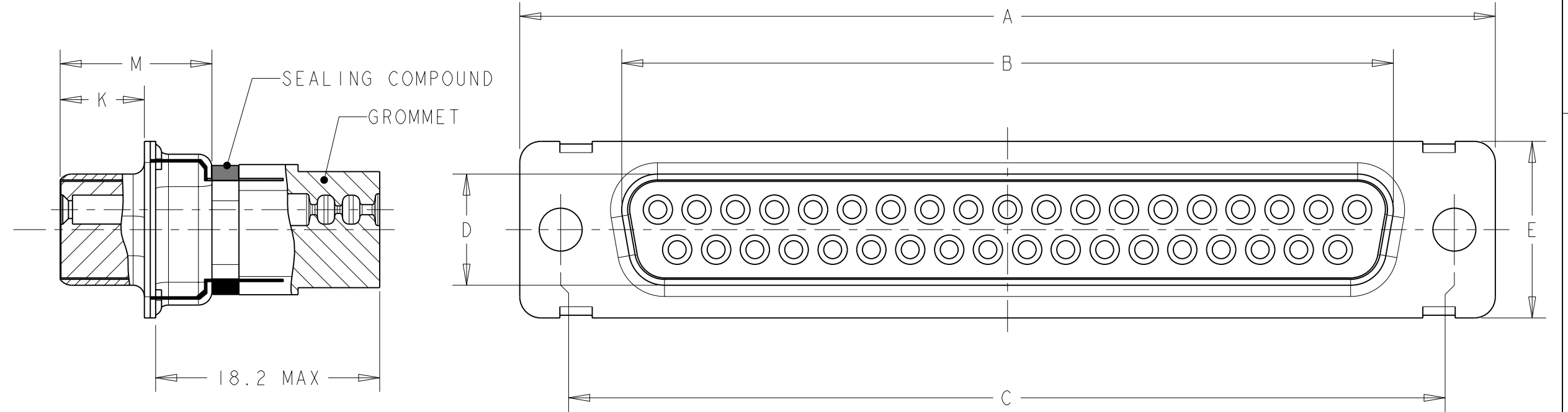
RECEPTACLE-MDE TYPE



SCALE 1:1



SECTION A-A



10.90	6.17	55.32	13.56	15.37	10.74	61.11	52.43	66.93	RECEPTACLE	50	5	MDE308G-50S2-001	2-135787-0
10.90	6.17	57.71	10.72	12.55	7.90	63.50	54.84	69.32	RECEPTACLE	37	4	MDE308G-37S2-001	1-135787-8
10.90	6.17	41.30	10.72	12.55	7.90	47.04	38.38	53.04	RECEPTACLE	25	3	MDE308G-25S2-001	1-135787-6
10.90	6.17	27.51	10.72	12.55	7.90	33.32	24.66	39.14	RECEPTACLE	15	2	MDE308G-15S2-001	1-135787-4
10.90	6.17	19.28	10.72	12.55	7.90	24.99	16.33	30.81	RECEPTACLE	09	1	MDE308G-9S2-001	1-135787-2
10.90	6.17	55.32	13.56	15.37	10.74	61.11	52.43	66.93	RECEPTACLE WITH SOCKET CONTACTS	50	5	MDE308G-50S2	1-135787-0
10.90	6.17	57.71	10.72	12.55	7.90	63.50	54.84	69.32	RECEPTACLE WITH SOCKET CONTACTS	37	4	MDE308G-37S2	135787-8
10.90	6.17	41.30	10.72	12.55	7.90	47.04	38.38	53.04	RECEPTACLE WITH SOCKET CONTACTS	25	3	MDE308G-25S2	135787-6
10.90	6.17	27.51	10.72	12.55	7.90	33.32	24.66	39.14	RECEPTACLE WITH SOCKET CONTACTS	15	2	MDE308G-15S2	135787-4
10.90	6.17	19.28	10.72	12.55	7.90	24.99	16.33	30.81	RECEPTACLE WITH SOCKET CONTACTS	09	1	MDE308G-9S2	135787-2
M±0.25	K±0.13	G±0.25	H±0.25	E±0.38	D±0.13	C±0.13	B±0.13	A±0.38	DESCRIPTION	NB POS.	SIZE	OLD P/N	P/N 2
												STANDARD MOUNT	

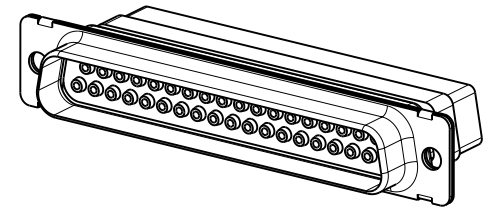
SEE NOTES ON LAST SHEET

THIS DRAWING IS A CONTROLLED DOCUMENT.		DWN BUON B. 17NOV1998	 TE Connectivity
DIMENSIONS: mm		CHK LOUDIEUX G. 17NOV1998	
TOLERANCES UNLESS OTHERWISE SPECIFIED:		APVD FURIO M. 17NOV1998	
0 PLC ±0.13 1 PLC ±0.13 2 PLC ±0.13 3 PLC ± 4 PLC ± ANGLES ± FINISH ±1		PRODUCT SPEC APPLICATION SPEC NOTE 7	
MATERIAL	NOTE 3	WEIGHT	NAME SEALED SUB D CONNECTOR MDE - SERIES SIZE A200779 CAGE CODE C-135787 DRAWING NO RESTRICTED TO CUSTOMER DRAWING SCALE 2:1 SHEET 1 OF 7 REV D

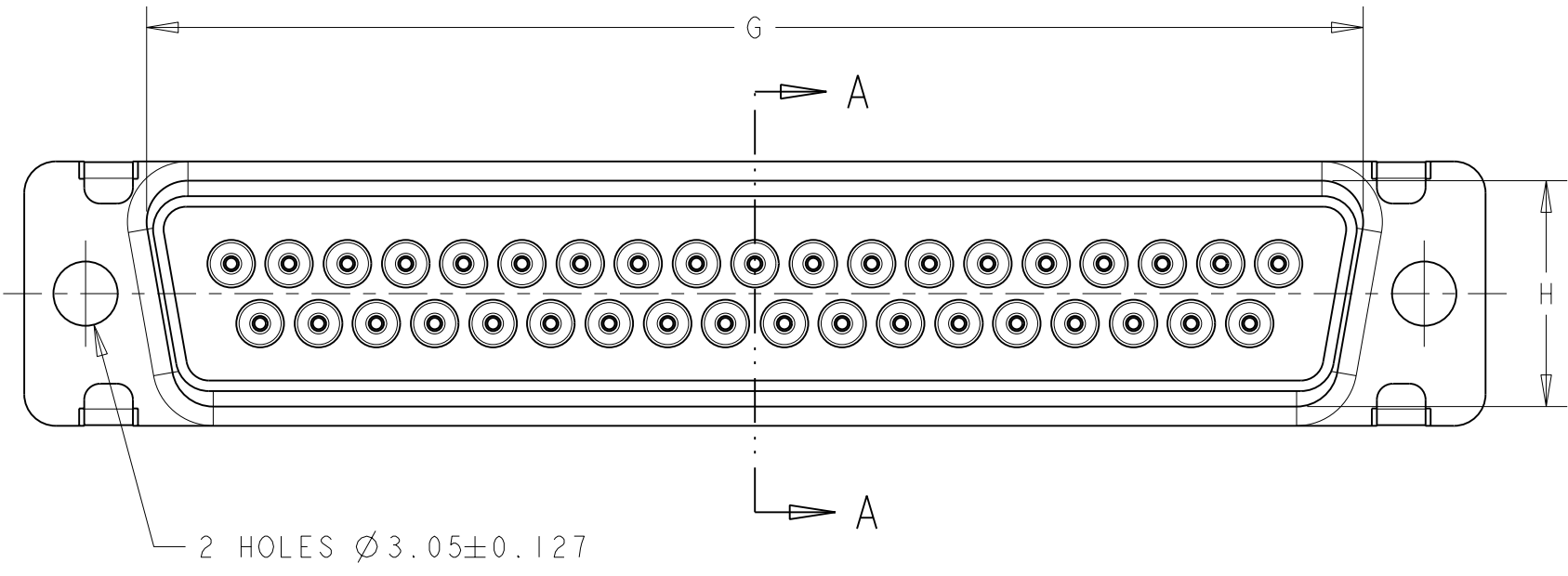
THIS DRAWING IS UNPUBLISHED. RELEASED FOR PUBLICATION 20
 © COPYRIGHT 20 Tyco Electronics AMP GmbH ALL RIGHTS RESERVED.

LOC	DIST	REVISIONS					
F	00	P	LTR	DESCRIPTION	DATE	DWN	APVD
		-		SEE SHEET 1			

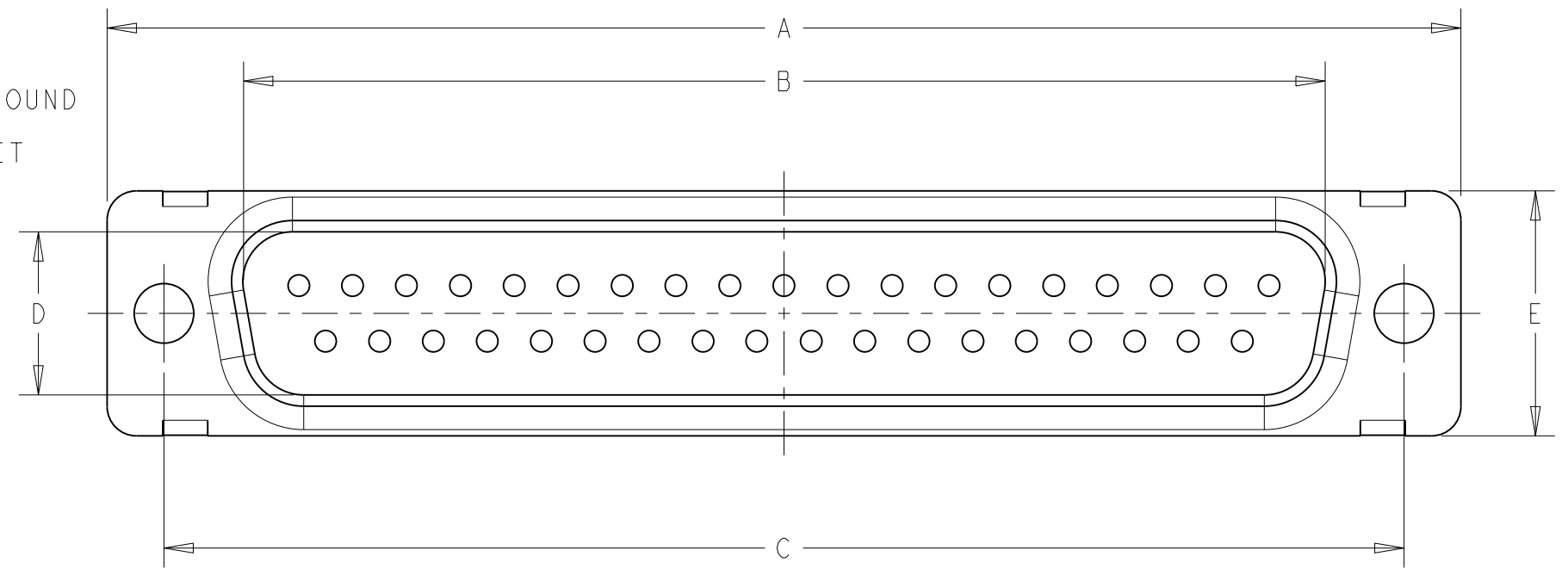
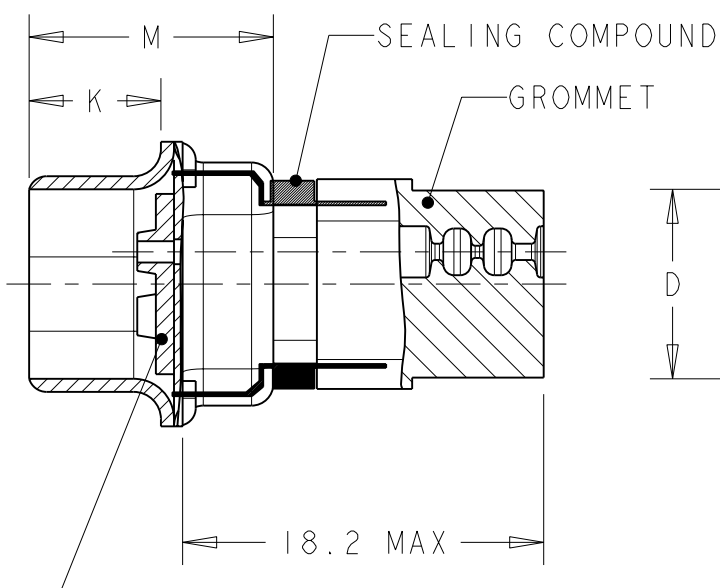
PLUG-MDE TYPE



SCALE 1:1



SECTION A - A



M	K	G	H	E	D	C	B	A	DESCRIPTION	Nb POS.	SIZE	OLD P/N	P/N
10.82	5.84	55.32	13.56	15.37	11.20	61.11	52.81	66.93	PLUG	50	5	MDE308G-50P2-001	1-135787-9
10.82	5.84	57.71	10.72	12.55	8.36	63.50	55.42	69.32	PLUG	37	4	MDE308G-37P2-001	1-135787-7
10.82	5.84	41.30	10.72	12.55	8.36	47.04	38.96	53.04	PLUG	25	3	MDE308G-25P2-001	1-135787-5
10.72	5.97	27.51	10.72	12.55	8.36	33.32	25.25	39.14	PLUG	15	2	MDE308G-15P2-001	1-135787-3
10.72	5.97	19.28	10.72	12.55	8.36	24.99	16.92	30.81	PLUG	09	1	MDE308G-9P2-001	1-135787-1
10.82	5.84	55.32	13.56	15.37	11.20	61.11	52.81	66.93	PLUG WITH PIN CONTACTS	50	5	MDE308G-50P2	135787-9
10.82	5.84	57.71	10.72	12.55	8.36	63.50	55.42	69.32	PLUG WITH PIN CONTACTS	37	4	MDE308G-37P2	135787-7
10.82	5.84	41.30	10.72	12.55	8.36	47.04	38.96	53.04	PLUG WITH PIN CONTACTS	25	3	MDE308G-25P2	135787-5
10.72	5.97	27.51	10.72	12.55	8.36	33.32	25.25	39.14	PLUG WITH PIN CONTACTS	15	2	MDE308G-15P2	135787-3
10.72	5.97	19.28	10.72	12.55	8.36	24.99	16.92	30.81	PLUG WITH PIN CONTACTS	09	1	MDE308G-9P2	135787-1
M	K	G	H	E	D	C	B	A	DESCRIPTION	Nb POS.	SIZE	OLD P/N	P/N
M	K	G	H	E	D	C	B	A					2
												STANDARD MOUNT	

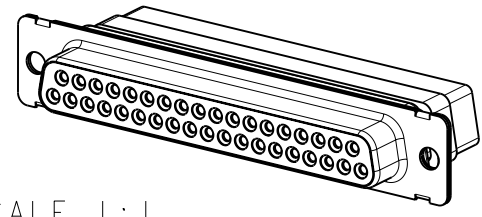
SEE NOTES ON LAST SHEET

THIS DRAWING IS A CONTROLLED DOCUMENT.		DWN BUON B. 17NOV1998	 TE Connectivity
DIMENSIONS: mm		CHK LOUDIEUX G. 17NOV1998	
TOLERANCES UNLESS OTHERWISE SPECIFIED:		APVD FURIO M. 17NOV1998	
0 PLC ±0.13 1 PLC ±0.13 2 PLC ±0.13 3 PLC ± 4 PLC ± ANGLES ±1 FINISH		NAME SEALED SUB D CONNECTOR MDE - SERIES APPLICATION SPEC NOTE 7 WEIGHT - CUSTOMER DRAWING	
MATERIAL	NOTE 3	NOTE 4	SIZE A2 CAGE CODE 00779 DRAWING NO C-135787 RESTRICTED TO - SCALE 2:1 SHEET 2 OF 7 REV D

THIS DRAWING IS UNPUBLISHED. RELEASED FOR PUBLICATION 20
 © COPYRIGHT 20 Tyco Electronics AMP GmbH ALL RIGHTS RESERVED.

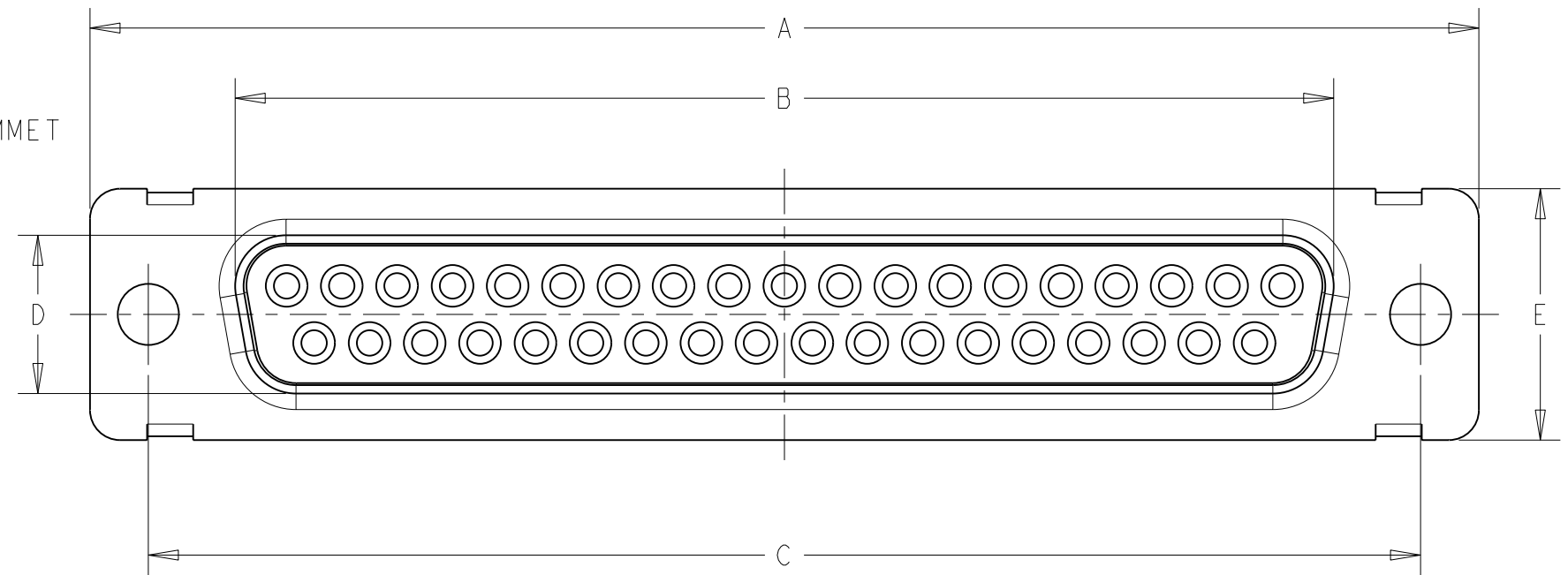
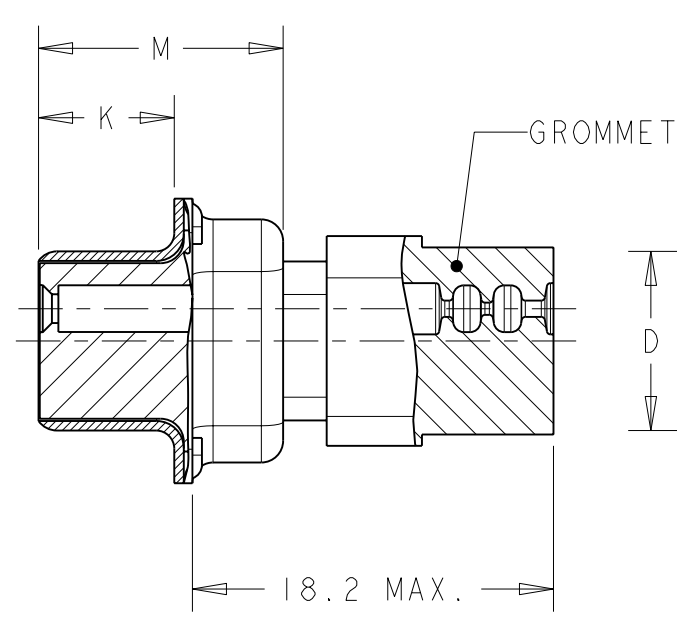
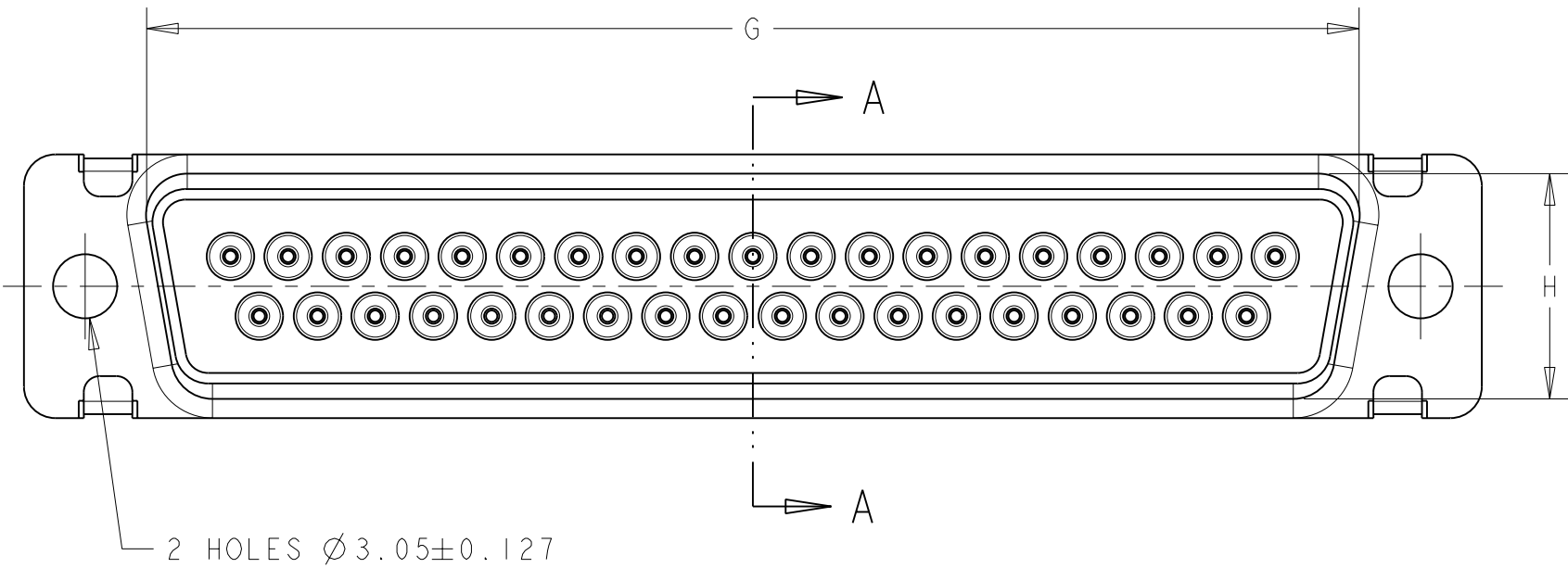
LOC	DIST	REVISIONS					
F	00	P	LTR	DESCRIPTION	DATE	DWN	APVD
		-		SEE SHEET 1			

RECEPTACLE-MDG TYPE



SCALE 1:1

SECTION A-A



10.90	6.17	55.32	13.56	15.37	10.74	61.11	52.43	66.93	RECEPTACLE	50	5	MDG308G-50S2-001	4-135787-0
10.90	6.17	57.71	10.72	12.55	7.90	63.50	54.84	69.32	RECEPTACLE	37	4	MDG308G-37S2-001	3-135787-8
10.90	6.17	41.30	10.72	12.55	7.90	47.04	38.38	53.04	RECEPTACLE	25	3	MDG308G-25S2-001	3-135787-6
10.90	6.17	27.51	10.72	12.55	7.90	33.32	24.66	39.14	RECEPTACLE	15	2	MDG308G-15S2-001	3-135787-4
10.90	6.17	19.28	10.72	12.55	7.90	24.99	16.33	30.81	RECEPTACLE	09	1	MDG308G-9S2-001	3-135787-2
10.90	6.17	55.32	13.56	15.37	10.74	61.11	52.43	66.93	RECEPTACLE WITH SOCKET CONTACTS	50	5	MDG308G-50S2	3-135787-0
10.90	6.17	57.71	10.72	12.55	7.90	63.50	54.84	69.32	RECEPTACLE WITH SOCKET CONTACTS	37	4	MDG308G-37S2	2-135787-8
10.90	6.17	41.30	10.72	12.55	7.90	47.04	38.38	53.04	RECEPTACLE WITH SOCKET CONTACTS	25	3	MDG308G-25S2	2-135787-6
10.90	6.17	27.51	10.72	12.55	7.90	33.32	24.66	39.14	RECEPTACLE WITH SOCKET CONTACTS	15	2	MDG308G-15S2	2-135787-4
10.90	6.17	19.28	10.72	12.55	7.90	24.99	16.33	30.81	RECEPTACLE WITH SOCKET CONTACTS	09	1	MDG308G-9S2	2-135787-2
M±0.25	K±0.13	G±0.25	H±0.25	E±0.38	D±0.13	C±0.13	B±0.13	A±0.38	DESCRIPTION	Nb POS.	SIZE	OLD P/N	P/N
												STANDARD MOUNT	

SEE NOTES ON LAST SHEET

THIS DRAWING IS A CONTROLLED DOCUMENT.

DIMENSIONS: mm

TOLERANCES UNLESS OTHERWISE SPECIFIED:

0 PLC	±0.13
1 PLC	±0.13
2 PLC	±0.13
3 PLC	±
4 PLC	±
ANGLES	±1
FINISH	

NOTE 3

NOTE 4

APVD: BUON B. 17NOV1998, LOUDIEUX G. 17NOV1998, FURIO M. 17NOV1998

PRODUCT SPEC: -

APPLICATION SPEC: NOTE 7

WEIGHT: -

CUSTOMER DRAWING

STE TE Connectivity

NAME: SEALED SUB D CONNECTOR MDE - SERIES

SIZE: A200779

CAGE CODE: C-135787

DRAWING NO: -

RESTRICTED TO: -

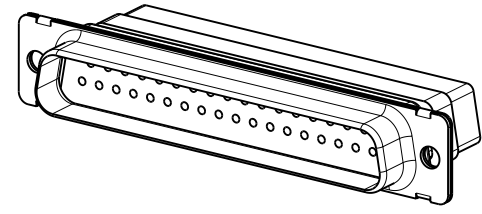
SCALE: 2:1

SHEET: 3 OF 7

REV: D

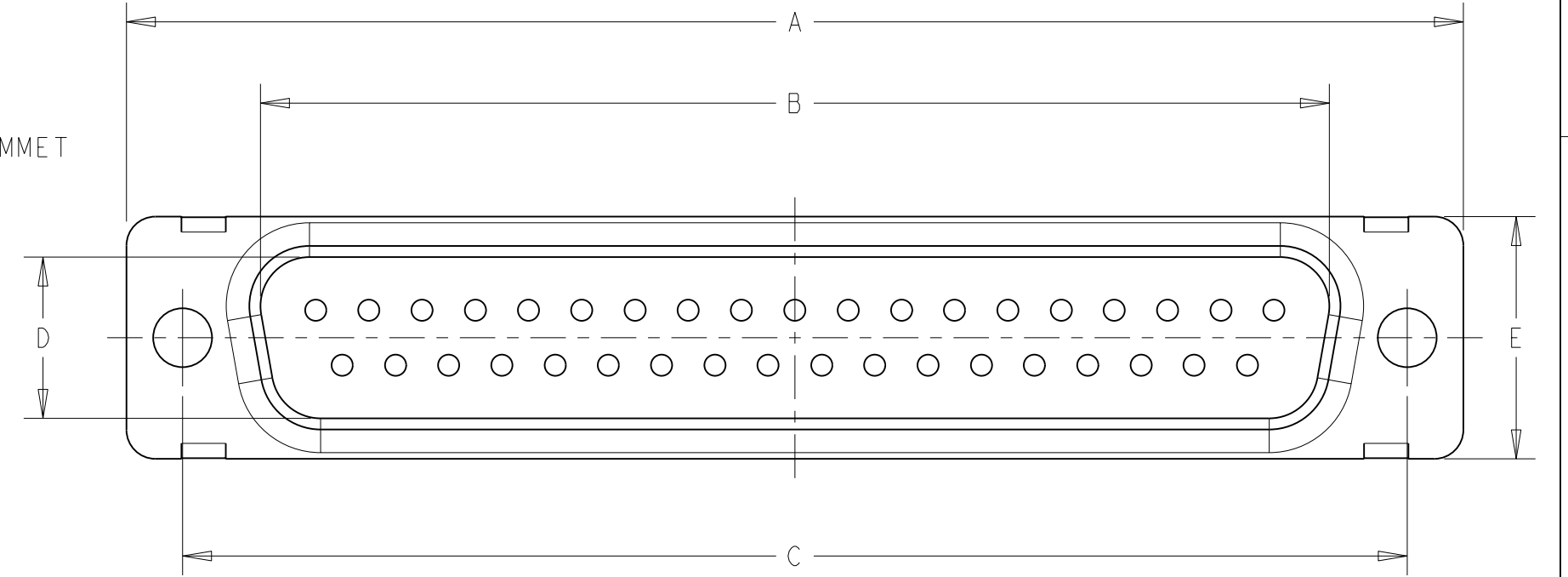
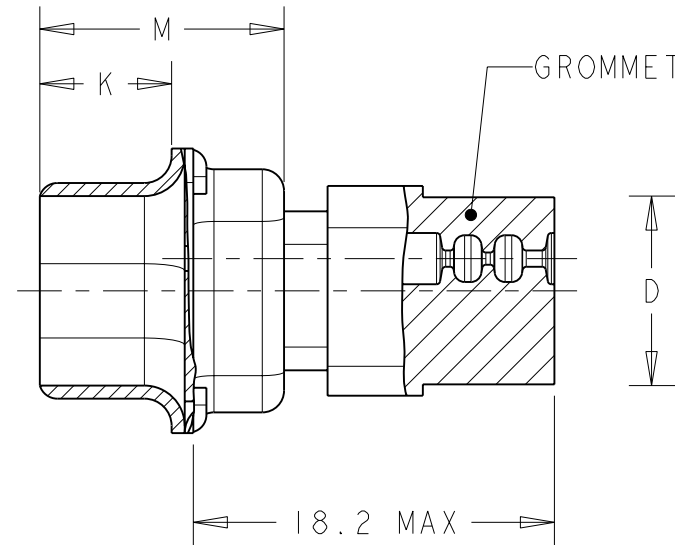
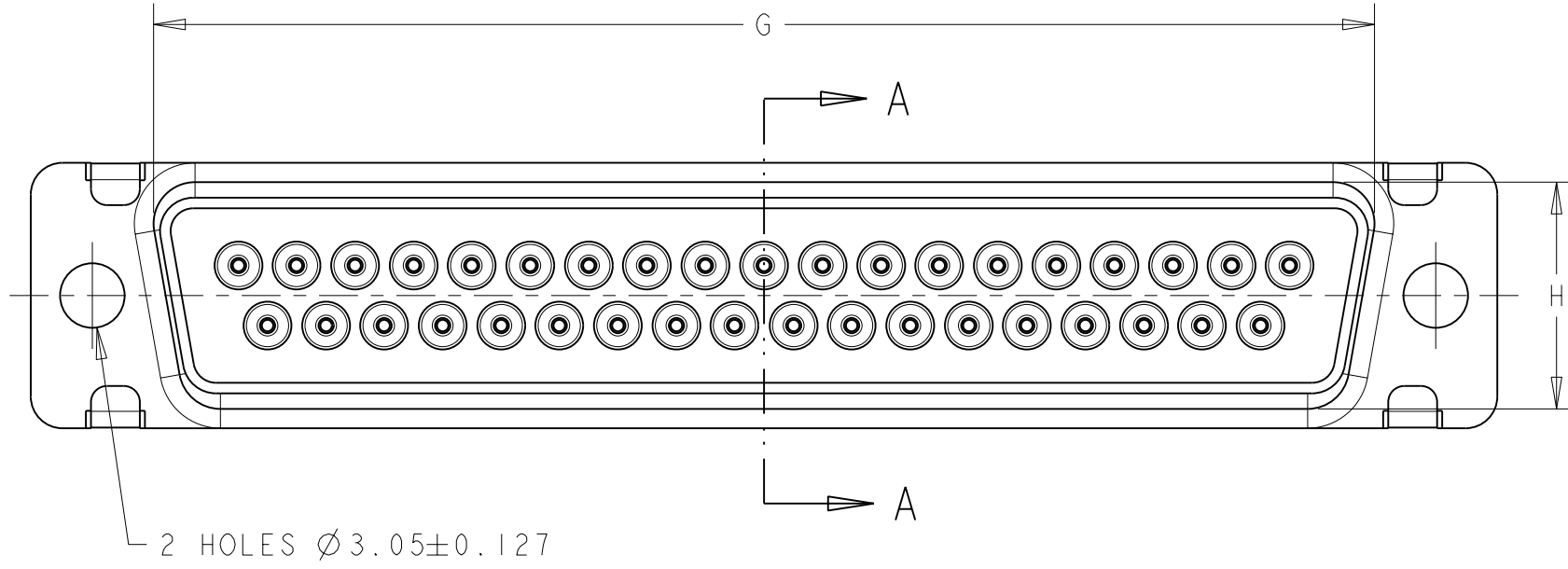
LOC	DIST	REVISIONS					
F	00	P	LTR	DESCRIPTION	DATE	DWN	APVD
		-		SEE SHEET 1		-	-

PLUG-MDG TYPE



SCALE 1:1

SECTION A-A



10.82	5.84	55.32	13.56	15.37	11.20	61.11	52.81	66.93	PLUG	50	5	MDG308G-50P2-001	3-135787-9
10.82	5.84	57.71	10.72	12.55	8.36	63.50	55.42	69.32	PLUG	37	4	MDG308G-37P2-001	3-135787-7
10.82	5.84	41.30	10.72	12.55	8.36	47.04	38.96	53.04	PLUG	25	3	MDG308G-25P2-001	3-135787-5
10.72	5.97	27.51	10.72	12.55	8.36	33.32	25.25	39.14	PLUG	15	2	MDG308G-15P2-001	3-135787-3
10.72	5.97	19.28	10.72	12.55	8.36	24.99	16.92	30.81	PLUG	09	1	MDG308G-9P2-001	3-135787-1
10.82	5.84	55.32	13.56	15.37	11.20	61.11	52.81	66.93	PLUG WITH PIN CONTACTS	50	5	MDG308G-50P2	2-135787-9
10.82	5.84	57.71	10.72	12.55	8.36	63.50	55.42	69.32	PLUG WITH PIN CONTACTS	37	4	MDG308G-37P2	2-135787-7
10.82	5.84	41.30	10.72	12.55	8.36	47.04	38.96	53.04	PLUG WITH PIN CONTACTS	25	3	MDG308G-25P2	2-135787-5
10.72	5.97	27.51	10.72	12.55	8.36	33.32	25.25	39.14	PLUG WITH PIN CONTACTS	15	2	MDG308G-15P2	2-135787-3
10.72	5.97	19.28	10.72	12.55	8.36	24.99	16.92	30.81	PLUG WITH PIN CONTACTS	09	1	MDG308G-9P2	2-135787-1
M±0.25	K±0.13	G±0.25	H±0.25	E±0.38	D±0.13	C±0.13	B±0.13	A±0.38	DESCRIPTION	Nb POS.	SIZE	OLD P/N	P/N 2
										STANDARD MOUNT			

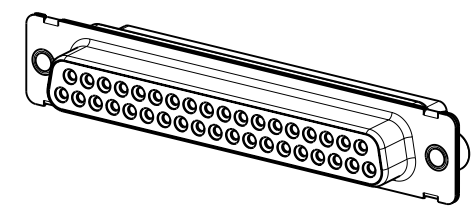
SEE NOTES ON LAST SHEET

THIS DRAWING IS A CONTROLLED DOCUMENT.		DWN BUON B. 17NOV1998	STE TE Connectivity	
		CHK LOUDIEUX G. 17NOV1998		
DIMENSIONS: mm		APVD FURIO M. 17NOV1998	NAME SEALED SUB D CONNECTOR MDE - SERIES	
TOLERANCES UNLESS OTHERWISE SPECIFIED:		PRODUCT SPEC	SIZE CAGE CODE DRAWING NO RESTRICTED TO	
0 PLC ±0.13		APPLICATION SPEC	A200779C-135787	
1 PLC ±0.13		NOTE 7	SCALE 2:1 SHEET 4 OF 7 REV D	
2 PLC ±0.13		WEIGHT		
3 PLC ±		CUSTOMER DRAWING		
4 PLC ±				
ANGLES ±1				
FINISH				

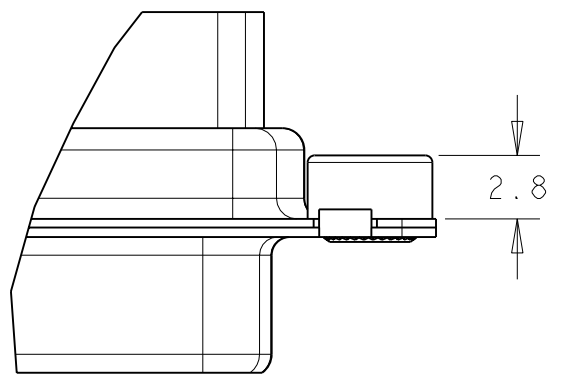
THIS DRAWING IS UNPUBLISHED. RELEASED FOR PUBLICATION 20
 © COPYRIGHT 20 Tyco Electronics AMP GmbH ALL RIGHTS RESERVED.

LOC	DIST	REVISIONS			
P	LTR	DESCRIPTION	DATE	DWN	APVD
F	00	SEE SHEET 1	-	-	-

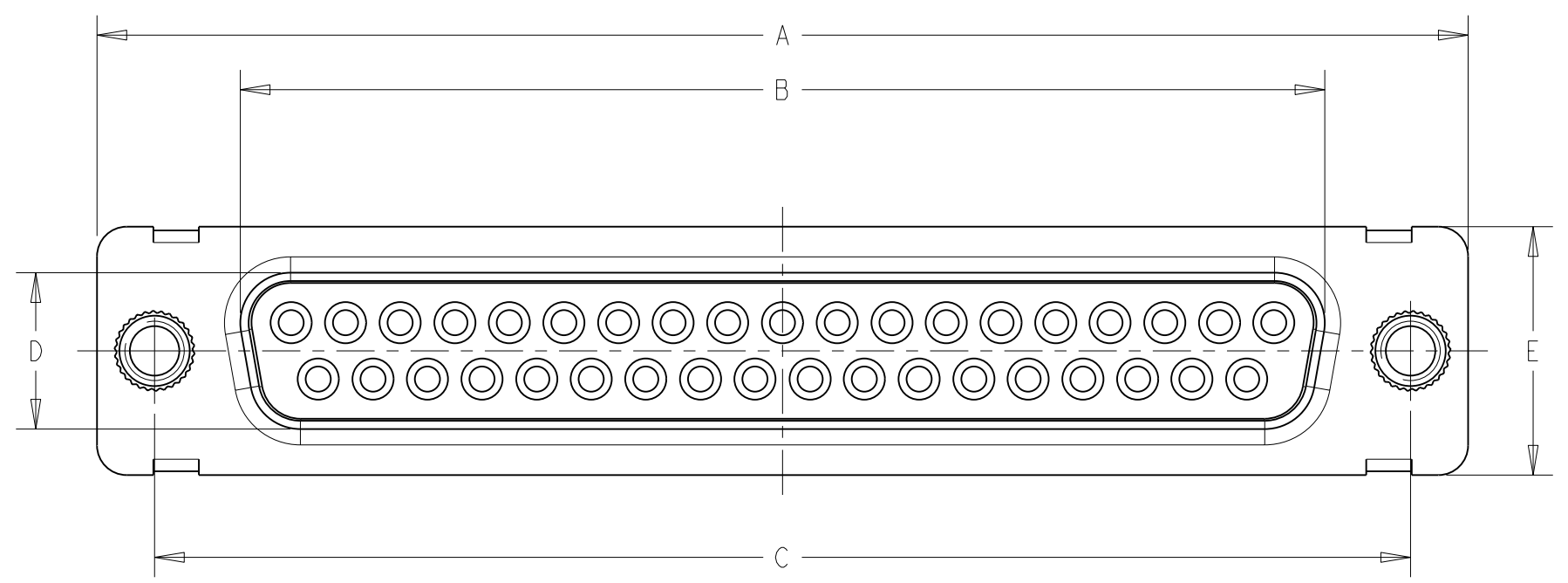
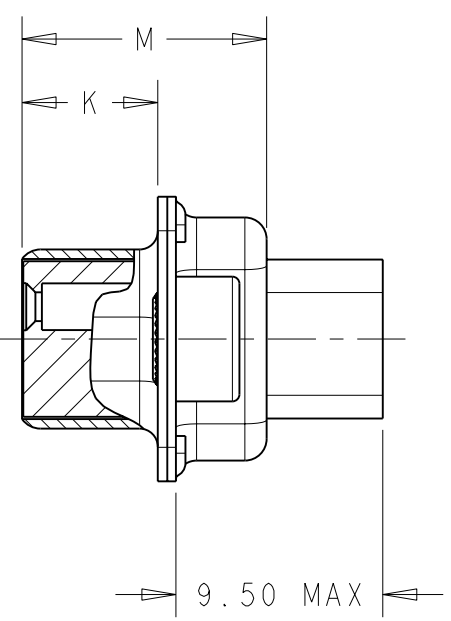
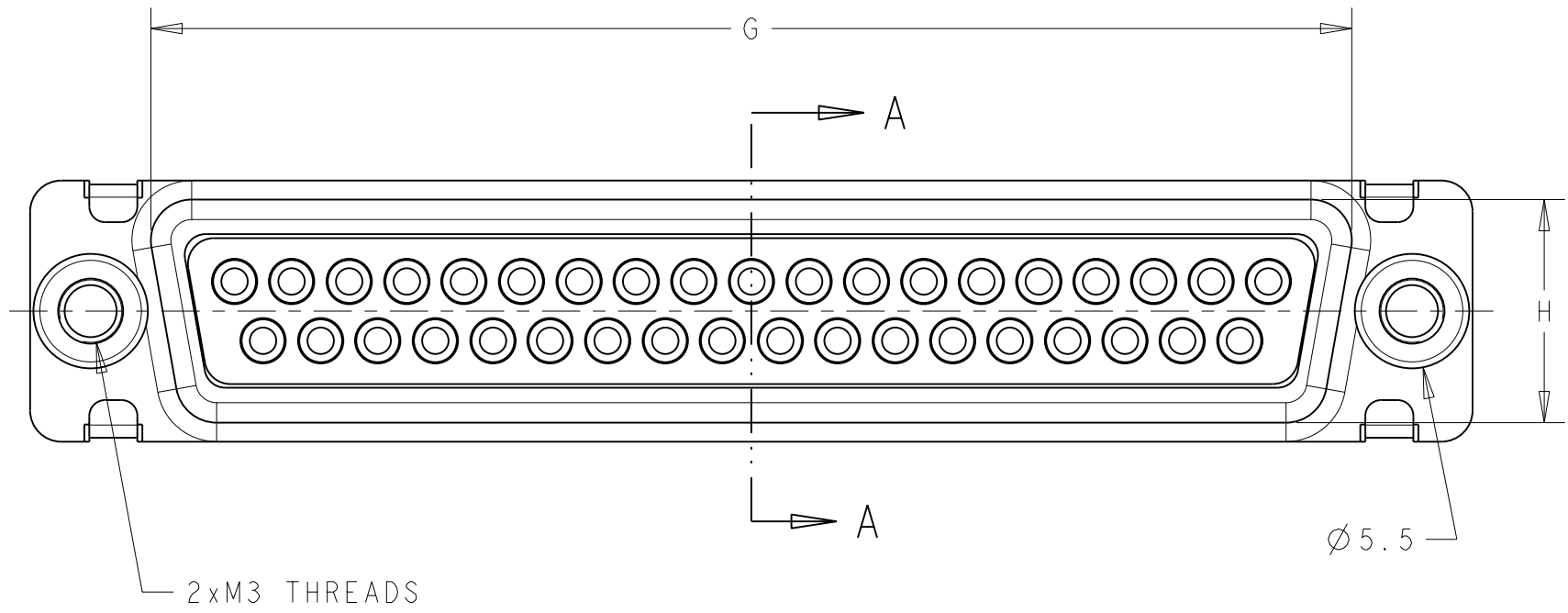
RECEPTACLE - MD308GA TYPE



SCALE 1:1



SECTION A - A



M±0.25	K±0.13	G±0.25	H±0.25	E±0.38	D±0.13	C±0.13	B±0.13	A±0.38	DESCRIPTION	Nb POS.	SIZE	OLD P/N	P/N
10.90	6.17	55.32	13.56	15.37	10.74	61.11	52.43	66.93	RECEPTACLE	50	5	MD308GA-50S2-001	5-135787-1
10.90	6.17	57.71	10.72	12.55	7.90	63.50	54.84	69.32	RECEPTACLE	37	4	MD308GA-37S2-001	5-135787-0
10.90	6.17	41.30	10.72	12.55	7.90	47.04	38.38	53.04	RECEPTACLE	25	3	MD308GA-25S2-001	4-135787-9
10.90	6.17	27.51	10.72	12.55	7.90	33.32	24.66	39.14	RECEPTACLE	15	2	MD308GA-15S2-001	4-135787-8
10.90	6.17	19.28	10.72	12.55	7.90	24.99	16.33	30.81	RECEPTACLE	09	1	MD308GA-9S2-001	4-135787-7
10.90	6.17	58.47	15.14	16.97	12.32	63.65	55.60	69.32	RECEPTACLE, HIGH DENSITY	104	6	MD308GA-66104S2-001	4-135787-6
10.90	6.17	55.32	13.56	15.37	10.74	61.11	52.43	66.93	RECEPTACLE, HIGH DENSITY	78	5	MD308GA-5078S2-001	4-135787-5
10.90	6.17	57.71	10.72	12.55	7.90	63.50	54.84	69.32	RECEPTACLE, HIGH DENSITY	62	4	MD308GA-3762S2-001	5-135787-4
10.90	6.17	41.30	10.72	12.55	7.90	47.04	38.38	53.04	RECEPTACLE, HIGH DENSITY	44	3	MD308GA-2544S2-001	4-135787-4
10.90	6.17	27.51	10.72	12.55	7.90	33.32	24.66	39.14	RECEPTACLE, HIGH DENSITY	26	2	MD308GA-1526S2-001	4-135787-3
10.90	6.17	19.28	10.72	12.55	7.90	24.99	16.33	30.81	RECEPTACLE, HIGH DENSITY	15	1	MD308GA-915S2-001	5-135787-5
													△
												THEADED INSERTS MOUNT	

SEE NOTES ON LAST SHEET

THIS DRAWING IS A CONTROLLED DOCUMENT.		DWN BUON B. 17NOV1998	TE Connectivity	
DIMENSIONS: mm		CHK LOUDIEUX G. 17NOV1998		
TOLERANCES UNLESS OTHERWISE SPECIFIED:		APVD FURIO M. 17NOV1998	NAME SEALED SUB D CONNECTOR MDE - SERIES	
0 PLC ±0.13		PRODUCT SPEC	SIZE	CAGE CODE
1 PLC ±0.13		APPLICATION SPEC	A200779	135787
2 PLC ±0.13		NOTE 7	DRAWING NO	
3 PLC ±		WEIGHT	RESTRICTED TO	
4 PLC ±		CUSTOMER DRAWING	SCALE 2:1 SHEET 5 OF 7 REV D	
ANGLES ±				
FINISH ±1				

4

3

2

1

THIS DRAWING IS UNPUBLISHED. RELEASED FOR PUBLICATION 20
 © COPYRIGHT 20 Tyco Electronics AMP GmbH ALL RIGHTS RESERVED.

PLUG-MD308GA TYPE

LOC	DIST	REVISIONS					
F	00	P	LTR	DESCRIPTION	DATE	DWN	APVD
		-		SEE SHEET 1	-	-	-

SECTION A - A

2xM3 THREADS

Ø5.5

M

K

2.8

9.50 MAX

A

B

C

D

E

10.82	5.84	41.30	10.72	12.55	8.36	47.04	38.96	53.04	PLUG	25	3	MD308GA-25P2-001	5-135787-8
M±0.25	K±0.13	G±0.25	H±0.25	E±0.38	D±0.13	C±0.13	B±0.13	A±0.38	DESCRIPTION	Nb POS.	SIZE	OLD P/N	P/N △ 2
												THEADED INSERTS MOUNT	

SEE NOTES ON LAST SHEET

THIS DRAWING IS A CONTROLLED DOCUMENT.		DWN BUON B. 17NOV1998	TE Connectivity	
DIMENSIONS: mm		CHK LOUDIEUX G. 17NOV1998		
TOLERANCES UNLESS OTHERWISE SPECIFIED:		APVD FURIO M. 17NOV1998	NAME SEALED SUB D CONNECTOR MDE - SERIES	
0 PLC ±0.13		PRODUCT SPEC -	SIZE CAGE CODE DRAWING NO RESTRICTED TO	
1 PLC ±0.13		APPLICATION SPEC NOTE 7	A200779C-135787	
2 PLC ±0.13		WEIGHT -	SCALE 3:1 SHEET 6 OF 7 REV D	
3 PLC ±		CUSTOMER DRAWING		
4 PLC ±				
ANGLES ±				
FINISH ±1				
MATERIAL NOTE 3				
		NOTE 4		

1471-9 (3/11)

4

3

2

1

THIS DRAWING IS UNPUBLISHED. RELEASED FOR PUBLICATION 20
 © COPYRIGHT 20 Tyco Electronics AMP GmbH ALL RIGHTS RESERVED.

LOC	DIST	REVISIONS					
F	00	P	LTR	DESCRIPTION	DATE	DWN	APVD
		-		SEE SHEET 1		-	-

MATING FACE OF PLUG SHOWN

CONFIGURATIONS FOR #20 CONTACTS

9 POSITION MS18273-1
SHELL SIZE 1

15 POSITION MS18274-1
SHELL SIZE 2

25 POSITION MS18275-1
SHELL SIZE 3

37 POSITION MS18276-1
SHELL SIZE 4

50 POSITION MS18277-1
SHELL SIZE 5

CONFIGURATIONS FOR #22 CONTACTS

15 POSITION MS18273-2
SHELL SIZE 1

26 POSITION MS18274-2
SHELL SIZE 2

44 POSITION MS18275-2
SHELL SIZE 3

62 POSITION MS18276-2
SHELL SIZE 4

78 POSITION MS18277-2
SHELL SIZE 5

104 POSITION MS14004-1
SHELL SIZE 6

1 THIS CONNECTOR MEETS THE REQUIREMENTS OF MIL-DTL-24308

2 PART NUMBER FOR ORDERING

3- MATERIALS :
 SHELL : STEEL,CD PLATED
 HOUSING : PBT,GLASS FILLED,UL94VO
 RETAINING CLIP : STAINLESS STEEL
 GROMMET AND INTERFACIAL SEAL : FLUROSILICONE ELASTOMER
 SEALING COMPOUND : RTV
 CONTACT:COPPER ALLOY,GOLD PLATED OVER NICKEL

4- CABLES EXTERNAL DIAMETER FOR CONTACTS #20 : $\varnothing 0.85$ to $\varnothing 1.83$
 CABLES EXTERNAL DIAMETER FOR CONTACTS #22 : $\varnothing 1.37$ MAX

5- CONNECTOR MARKING:
 . MANUFACTURER IDENTIFICATION
 . PART NUMBER
 . DATE-CODE

6- INSERT ARRANGEMENT PER MIL-DTL-24308

7- FOR CONTACT CRIMPING INSTRUCTION SHEET REFER TO SPEC IS 7516
 FOR CONTACT INSTALATION/ REMOVAL INSTRUCTION SHEET REFER TO SPEC IS 7508

8- #20 SOCKET CRIMP CONTACT P/N: 205090-1
 #20 PIN CRIMP CONTACT P/N: 205089-1

#22D SOCKET CRIMP CONTACT P/N: 204351-1
 #22D PIN CRIMP CONTACT P/N: 204370-2

9- INSERTION/EXTRACTION TOOL P/N: 91067-2
 INSERTION/EXTRACTION TOOL P/N: 91067-1

10- CRIMP WITH HAND TOOL: 601966-1 + DIE INSERT: 601966-4
 CRIMP WITH HAND TOOL: M22520/02-01 + POSITIONNER : M22520/02-06

THIS DRAWING IS A CONTROLLED DOCUMENT.		DWN BUON B. 17NOV1998		TE Connectivity	
DIMENSIONS: mm		CHK LOUDIEUX G. 17NOV1998		NAME SEALED SUB D CONNECTOR MDE - SERIES	
TOLERANCES UNLESS OTHERWISE SPECIFIED:		APVD FURIO M. 17NOV1998	SIZE		
0 PLC ±0.13		PRODUCT SPEC	CAGE CODE		
1 PLC ±0.13		APPLICATION SPEC	DRAWING NO		
2 PLC ±0.13		NOTE 7	RESTRICTED TO		
3 PLC ±		WEIGHT	A200779C-135787		
4 PLC ±		CUSTOMER DRAWING	SCALE 2:1 SHEET 7 OF 7 REV D		
ANGLES ±1					
FINISH					

1471-9 (3/11)

Компания «Life Electronics» занимается поставками электронных компонентов импортного и отечественного производства от производителей и со складов крупных дистрибьюторов Европы, Америки и Азии.

С конца 2013 года компания активно расширяет линейку поставок компонентов по направлению коаксиальный кабель, кварцевые генераторы и конденсаторы (керамические, пленочные, электролитические), за счёт заключения дистрибьюторских договоров

Мы предлагаем:

- Конкурентоспособные цены и скидки постоянным клиентам.
- Специальные условия для постоянных клиентов.
- Подбор аналогов.
- Поставку компонентов в любых объемах, удовлетворяющих вашим потребностям.
- Приемлемые сроки поставки, возможна ускоренная поставка.
- Доставку товара в любую точку России и стран СНГ.
- Комплексную поставку.
- Работу по проектам и поставку образцов.
- Формирование склада под заказчика.
- Сертификаты соответствия на поставляемую продукцию (по желанию клиента).
- Тестирование поставляемой продукции.
- Поставку компонентов, требующих военную и космическую приемку.
- Входной контроль качества.
- Наличие сертификата ISO.

В составе нашей компании организован Конструкторский отдел, призванный помогать разработчикам, и инженерам.

Конструкторский отдел помогает осуществить:

- Регистрацию проекта у производителя компонентов.
- Техническую поддержку проекта.
- Защиту от снятия компонента с производства.
- Оценку стоимости проекта по компонентам.
- Изготовление тестовой платы монтаж и пусконаладочные работы.



Тел: +7 (812) 336 43 04 (многоканальный)

Email: org@lifeelectronics.ru