



Choose one component from each of the colored sections to assemble a complete switch.

Product Profile

The Series 04 is a high quality switch range that includes pushbuttons, indicators, selectors, mushroom headed switches, key switches, and Emergency-stops.

Options include self cleaning, slow-make and snap-action switching elements.

Technical drawings see pages 18-21

- IP65 Protection
- Switch Rating:
Maximum Voltage, 600VAC
Maximum Thermal Current, $I_{th} = 10A$
230VAC/6A, 24VDC/10A
- Raised Mounting into 22.5mm cut out
- Flush Mounting into 30.5mm cut out
- Illumination using Ba9s (T-3¼ bayonet base) Lamps or LED's
- All standard lenses are transparent with translucent diffuser
- Screw terminal or plug-in connections

Indicator



Indicator, round, full face, 22.5mm mounting

| Color | Part No. |
|--------|-----------|
| Red | 704.000.2 |
| Yellow | 704.000.4 |
| Green | 704.000.5 |
| Blue | 704.000.6 |
| Clear | 704.000.7 |

For complete switch also order



Indicator, flush mount, aluminum bezel, 30.5mm mounting

| Color | Part No. |
|--------|-------------|
| Red | 704.006.218 |
| Yellow | 704.006.418 |
| Green | 704.006.518 |
| Blue | 704.006.618 |
| Clear | 704.006.718 |

For complete switch also order

Non-illuminated pushbutton



Non illuminated raised pushbutton, gray plastic bezel, 22.5mm mounting



Non illuminated raised pushbutton, aluminum bezel, 22.5mm mounting



Non illuminated flush mount pushbutton, aluminum bezel, 30.5mm mounting

| Part Ordering System 704.02 - () () () () | | | | | |
|---|------------------|------------------|---------------------|---------------------------|----------------|
| Pushbutton Action | Lens/Cap Style | Front Ring Style | Front Ring Material | Diffuser Type | Lens/Cap Color |
| 1-Momentary | Standard-plastic | 0-Standard | Black plastic | 0-Black | 0-Black |
| 2-Momentary | Standard-metal | 1-Standard | Anodized Al | 1-No diffuser | 2-Red |
| 3-Momentary | Extended-plastic | 2-Sealed | Ni plated brass | (Mushroom or opaque lens) | 3-Orange* |
| 4-Momentary | Mushroom-plastic | | Silicone cover | 7-Clear | 4-Yellow |
| 5-Maintained | Standard-plastic | 3-Sealed | Anodized Al | 9-White | 5-Green |
| 6-Maintained | Standard-metal | | Silicon cover | | 6-Blue** |
| 7-Maintained | Extended-plastic | 4-Standard | Chrome plastic | | 7-White *** |
| 8-Maintained | Mushroom-plastic | 6-Standard | Gray plastic | | 8-Aluminum** |
| | | 7-Extended | Gray plastic | | 9-Steel** |
| | | 9-Standard | Steel | | |

| Color | Part No., Momentary | Part No., Maintained |
|--------|---------------------|----------------------|
| Red | 704.012.218 | 704.042.218 |
| Yellow | 704.012.418 | 704.042.418 |
| Green | 704.012.518 | 704.042.518 |
| Blue | 704.012.618 | 704.042.618 |
| Clear | 704.012.718 | 704.042.718 |
| Black | 704.012.018 | 704.042.218 |

For complete switch also order **A**

* Only available in standard plastic

** Not available with mushroom cap

*** Combination of clear lens and white diffuser

For complete switch also order **A**

Choose one component from each of the colored sections to assemble a complete switch.
For other options or further information please contact EAO Switch directly.



⊙ Illuminated pushbutton



Illuminated raised pushbutton, gray plastic bezel, 22.5mm mounting



Illuminated raised pushbutton, aluminum bezel, 22.5mm mounting



Illuminated flush mount pushbutton, aluminum bezel, 30.5mm mounting

| Part Ordering System 704.01 - () () () () | | | | | | Color | Part No., Momentary | Part No., Maintained |
|---|-------------------|--------------------------|----------------------------|-----------------|-----------------------|--|---------------------|----------------------|
| Pushbutton Action | Lens Style | Termination Style | Front Ring Material | | Diffuser* Type | Lens Color | | |
| 1-Momentary | Standard | Screw | 0-Standard | Black plastic | 7-Clear | 2-Transparent red | 704.032.218 | 704.062.218 |
| 2-Momentary | Standard | 0.250" Q.C. | 1-Standard | Anodized Al | 9-White | 3-Transparent orange | 704.032.418 | 704.062.418 |
| 3-Momentary | Extended | Screw | 2-Sealed | Ni plated brass | | 4-Transparent yellow | 704.032.518 | 704.062.518 |
| 4-Momentary | Extended | 0.250" Q.C. | | Silicon cover | | 5-Transparent green | 704.032.618 | 704.062.618 |
| 5-Maintained | Standard | Screw | 3-Sealed | Anodized Al | | 6-Transparent blue | 704.032.718 | 704.062.718 |
| 6-Maintained | Standard | 0.250" Q.C. | | Silicon cover | | 7-White (uses clear lens/white diffuser) | | |
| 7-Maintained | Extended | Screw | 4-Standard | Chrome plastic | | | | |
| 8-Maintained | Extended | 0.250" Q.C. | 6-Standard | Gray plastic | | | | |
| 9-Momentary | Mushroom | Screw | 7-Extended | Gray plastic | | | | |
| 10-Momentary | Mushroom | 0.250" Q.C. | 9-Standard | Steel | | | | |
| 11-Maintained | Mushroom | Screw | | | | | | |
| 12-Maintained | Mushroom | 0.250" Q.C. | | | | | | |

For complete switch also order **A** *White translucent for incandescent lamps and clear knurled for neon

For complete switch also order **A**

⊙ Illuminated pushbutton



Illuminated raised pushbutton, gray plastic bezel, 22.5mm mounting



Illuminated raised pushbutton, aluminum bezel, 22.5mm mounting

| Part Ordering System 704.03 - () () () () | | | | | |
|---|-----------------------------|--------------------|-------------------------------------|--------------------|-------------------|
| Pushbutton Action | Lighted or Unlighted | Film Insert | Lamp Holder | Bezel Color | Lens Color |
| 0-Momentary | Lighted | With | 0-No lamp holder | 0-Black | 0-Black |
| 1-Momentary | Lighted | Without | 1-Lamp holder screw terminals | 4-Chrome | 2-Red |
| 2-Momentary | Unlighted | With | 2-Lamp holder 0.250" Q.C. terminals | 6-Light gray | 3-Orange |
| 3-Momentary | Unlighted | Without | | | 4-Yellow |
| 4-Maintained | Lighted | With | | | 5-Green |
| 5-Maintained | Lighted | Without | | | 6-Blue |
| 6-Maintained | Unlighted | With | | | 7-White* |
| 7-Maintained | Unlighted | Without | | | |

For complete switch also order **A** *Combination of clear lens and white diffuser





Choose one component from each of the colored sections to assemble a complete switch.

Emergency-stop switch



Emergency-stop, twist release, 37mm diameter, foolproof to EN 60947-5-1 and EN 418, use slow-make switching elements

| Part No. |
|-----------|
| 704.064.2 |



Emergency-stop, key release, 37mm diameter, foolproof to EN 60947-5-1 and EN 418, use slow-make switching elements

| Part No. |
|-----------|
| 704.066.2 |



Emergency-stop, twist release, mushroom head, 40mm diameter, use slow-make switching elements

| Part No. | Front Ring | Markings |
|-----------|-------------------|--------------------|
| 704.074.2 | Gray plastic | Directional arrows |
| 704.075.2 | Anodized aluminum | Directional arrows |

For emergency stop applications, a maximum of 2 switching elements can be used

For emergency stop applications, a maximum of 2 switching elements can be used

For complete switch also order **A**

For complete switch also order **A**

Mushroom headed pushbutton



Mushroom headed pushbutton, plastic bezel and aluminum bezel, 22.5mm mounting, function momentary

| Color | Part No., Plastic | Part No., Aluminum |
|--------|-------------------|--------------------|
| Red | 704.070.2 | 704.071.2 |
| Yellow | 704.070.4 | 704.071.4 |
| Green | 704.070.5 | 704.071.5 |
| Black | 704.070.0 | 704.071.0 |

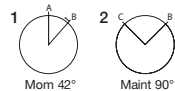
Maintained versions available as well

For complete switch also order **A**

Keylock switch



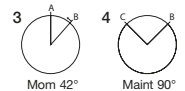
Keylock switch 2 position, raised, 22.5mm mounting



| Drawing | Part No. | Action | Key rem. |
|---------|-----------|------------|----------|
| 1 | 704.123.0 | Momentary | A |
| 2 | 704.121.0 | Maintained | C |



Keylock switch 2 position, flush mount, 30.5mm mounting





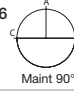





| Drawing | Part No. | Action | Key rem. |
|---------|-------------|------------|----------|
| 3 | 704.123.018 | Momentary | A |
| 4 | 704.121.018 | Maintained | C |

For complete switch also order **A**

Choose one component from each of the colored sections to assemble a complete switch.
For other options or further information please contact EAO Switch directly.








| | | |
|---|---|-------------|
|  |  | A |
| BLOCK | LED | ACCESSORIES |

| Keylock switch | | | | Selector switch | | | | | | | |
|---|---|---|---|---|--|-----------------------|---|---------|---|------------|--------------|
|  | |  | |  | | | | | | | |
| Keylock switch 3 position, raised, 22.5mm mounting | | Keylock switch 3 position, flush mount, 30.5mm mounting | | Selector switch short lever 2 position, raised, 22.5mm mounting | | | | | | | |
| 5 |  | 6 |  | 7 |  | 8 |  | 9 |  | | |
| | Mom 42° | | Maint 90° | | Maint/Mom 42° | | Mom 42° | | Maint 90° | | |
| Drawing | Part No. | Action | Key rem. | Drawing | Part No. | Action | Key rem. | Drawing | Part No. | Action | Bezel |
| 5 | 704.115.0 | Momentary/Momentary | A | 7 | 704.115.018 | Momentary/Momentary | A | 8 | 704.412.0 | Momentary | Gray plastic |
| 6 | 704.114.0 | Maintained/Maintained | A | 7 | 704.114.018 | Maintained/Maintained | A | 8 | 704.413.0 | Momentary | Aluminum |
| | | | | | | | | 9 | 704.410.0 | Maintained | Gray plastic |
| | | | | | | | | 9 | 704.411.0 | Maintained | Aluminum |

For complete switch also order  **A**

For complete switch also order  **A**

For complete switch also order  **A**

| Selector switch | | | | | | | | | | | |
|---|---|---|---|---|--|-----------------------|---|---------|-------------|------------|----------|
|  | |  | |  | | | | | | | |
| Selector switch short lever 2 position, flush mount, 30.5mm mounting | | Selector switch short lever 3 position, raised, 22.5mm mounting | | Selector switch short lever 3 position, flush mount, 30.5mm mounting | | | | | | | |
| 10 |  | 11 |  | 12 |  | 13 |  | | | | |
| | Mom 42° | | Maint 90° | | Maint/Mom 42° | | Maint/Mom 42° | | | | |
| Drawing | Part No. | Action | Bezel | Drawing | Part No. | Action | Bezel | Drawing | Part No. | Action | Bezel |
| 10 | 704.413.018 | Momentary | Aluminum | 12 | 704.404.0 | Momentary/Momentary | Gray plastic | 13 | 704.405.018 | Momentary | Aluminum |
| 11 | 704.411.018 | Maintained | Aluminum | 12 | 704.405.0 | Momentary/Momentary | Aluminum | 13 | 704.403.018 | Maintained | Aluminum |
| | | | | 12 | 704.402.0 | Maintained/Maintained | Gray plastic | | | | |
| | | | | 12 | 704.403.0 | Maintained/Maintained | Aluminum | | | | |

For complete switch also order  **A**

For complete switch also order  **A**

For complete switch also order  **A**



Choose one component from each of the colored sections to assemble a complete switch.

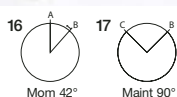
Selector switch



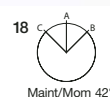
Selector switch long lever 2 position, raised, 22.5mm mounting



Selector switch long lever 2 position, flush mount, 30.5mm mounting



Selector switch long lever 3 position, raised, 22.5mm mounting



| Drawing | Part No. | Action | Bezel |
|---------|-----------|------------|--------------|
| 14 | 704.102.0 | Momentary | Gray plastic |
| 14 | 704.103.0 | Momentary | Aluminum |
| 15 | 704.100.0 | Maintained | Gray plastic |
| 15 | 704.101.0 | Maintained | Aluminum |

| Drawing | Part No. | Action | Bezel |
|---------|-------------|------------|----------|
| 16 | 704.103.018 | Momentary | Aluminum |
| 17 | 704.101.018 | Maintained | Aluminum |

| Drawing | Part No. | Action | Bezel |
|---------|-----------|------------|--------------|
| 18 | 704.094.0 | Momentary | Gray plastic |
| 18 | 704.095.0 | Momentary | Aluminum |
| 18 | 704.092.0 | Maintained | Gray plastic |
| 18 | 704.093.0 | Maintained | Aluminum |

For complete switch also order **A**

For complete switch also order **A**

For complete switch also order **A**

Selector switch



Selector switch long lever 3 position, flush mount, 30.5mm mounting



Buzzer



Buzzer, plastic bezel, raised, 22.5mm mounting, 24VDC, 95dB ± 8 at a distance of 0.1m



Buzzer, plastic bezel, flush mount, 30.5mm mounting, 24VDC, IP40, 95dB ± 8 at a distance of 0.1m

| Drawing | Part No. | Action | Bezel |
|---------|-------------|------------|----------|
| 19 | 704.095.018 | Momentary | Aluminum |
| 19 | 704.093.018 | Maintained | Aluminum |

| Part No. | Front finish |
|------------|-----------------|
| 14-810.002 | Black plastic |
| 14-810.902 | Chromium-plated |

| Part No. | Front finish |
|------------|-----------------|
| 14-810.910 | Black plastic |
| 14-810.918 | Chromium-plated |

For complete switch also order **A**

Choose one component from each of the colored sections to assemble a complete switch.
For other options or further information please contact EAO Switch directly.



Contact block



Contact block, screw terminal, snap-action with silver self-cleaning contacts

| Part No. | Contact type |
|-----------------------------|--------------|
| 704.900.1 | 1NO |
| 704.900.2 | 1NC |
| 704.900.3 | 2NO |
| 704.900.4 | 2NC |
| 704.900.5 | 1NO/1NC |
| Not recommended for | |
| Emergency-stop applications | |

For complete switch also order



Contact block, screw terminal, slow-make (positive-break) with silver forced opening contacts

| Part No. | Contact type |
|-----------|--------------|
| 704.910.2 | 1NC |
| 704.910.4 | 2NC |
| 704.910.5 | 1NO/1NC |
| 704.910.1 | 1NO |
| 704.910.2 | 2NO |

For complete switch also order

LED



LED, Ba9s (T-3 1/4 bayonet base), single chip, 6 Volt and 12 Volt

| Color | Part No. | Voltage |
|--------|--------------|----------------|
| Red | 10-2506.1082 | 6VDC, 17mA |
| Yellow | 10-2506.1084 | 6VDC, 17mA |
| Green | 10-2506.1085 | 6VDC, 17mA |
| Blue | 10-2506.1086 | 6VDC, 17mA |
| White | 10-2506.1089 | 6VDC, 17mA |
| Red | 10-2509.1142 | 12VAC/DC, 16mA |
| Yellow | 10-2509.1144 | 12VAC/DC, 16mA |
| Green | 10-2509.1145 | 12VAC/DC, 7mA |
| Blue | 10-2509.1146 | 12VAC/DC, 16mA |
| White | 10-2509.1149 | 12VAC/DC, 16mA |

LED



LED, Ba9s, single chip, (T-3 1/4 bayonet base) 24 Volt and 28 Volt

| Color | Part No. | Voltage |
|--------|--------------|----------------|
| Red | 10-2512.1142 | 24VAC/DC, 15mA |
| Yellow | 10-2512.1144 | 24VAC/DC, 15mA |
| Green | 10-2512.1145 | 24VAC/DC, 7mA |
| Blue | 10-2512.1146 | 24VAC/DC, 15mA |
| White | 10-2512.1149 | 24VAC/DC, 15mA |
| Red | 10-2513.1142 | 28VAC/DC, 13mA |
| Yellow | 10-2513.1144 | 28VAC/DC, 13mA |
| Green | 10-2513.1145 | 28VAC/DC, 7mA |
| Blue | 10-2513.1146 | 28VAC/DC, 13mA |
| White | 10-2513.1149 | 28VAC/DC, 13mA |



LED, Ba9s, (T-3 1/4 bayonet base) single chip, 48 Volt

| Color | Part No. | Voltage |
|--------|--------------|---------------|
| Red | 10-2519.1052 | 48VAC/DC, 8mA |
| Yellow | 10-2519.1054 | 48VAC/DC, 8mA |
| Green | 10-2519.1055 | 48VAC/DC, 4mA |
| Blue | 10-2519.1056 | 48VAC/DC, 8mA |
| White | 10-2519.1059 | 48VAC/DC, 8mA |



LED, Ba9s, (T-3 1/4 bayonet base) single chip, 130 Volt and 230 Volt

| Color | Part No. | Voltage |
|--------|--------------|--------------|
| Red | 10-2H24.2052 | 130VAC / 5mA |
| Yellow | 10-2H24.2054 | 130VAC / 5mA |
| Green | 10-2H24.2055 | 130VAC / 3mA |
| Blue | 10-2H24.2056 | 130VAC / 5mA |
| White | 10-2H24.2059 | 130VAC / 5mA |
| Red | 10-2H25.2042 | 230VAC / 3mA |
| Yellow | 10-2H25.2044 | 230VAC / 3mA |
| Green | 10-2H25.2045 | 230VAC / 2mA |
| Blue | 10-2H25.2046 | 230VAC / 3mA |
| White | 10-2H25.2049 | 230VAC / 3mA |



Choose one component from each of the colored sections to assemble a complete switch.

A Accessories



Lens cap, round, transparent, plastic for raised and flush indicators with bezel and pushbutton actuators

Protective cover, raised pushbutton

Protective front ring with silicon membrane for raised or flush mount pushbutton, natural anodized aluminum

| Color | Part No. | Part No. | Comment | Part No. | Size |
|---|-----------|-----------|--|-----------|-----------------------------------|
| ● Red | 704.602.2 | 704.925.0 | for pushbuttons | 704.600.3 | 29mm Ø for raised pushbutton |
| ● Yellow | 704.602.4 | 704.925.3 | for selector with short lever with "self return" | 704.955.3 | 35mm Ø for flush mount pushbutton |
| ● Green | 704.602.5 | | | | |
| ● Blue | 704.602.6 | | | | |
| ○ Clear | 704.602.7 | | | | |
| For complete lens also order diffuser 704.609.9 (see page 21) | | | | | |

A Accessories



Emergency-stop protective shroud, yellow painted aluminum with 22.5mm mounting hole

Emergency-stop switch label, 60mm diameter, English, French and German with adhesive backing

Emergency-stop switch enclosure with 22.5mm mounting hole

| Part No. | Part No. | Markings | Image | Part No. |
|------------------------------|-----------|-----------------|-------|-----------|
| Contact EAO Switch directly | 704.963.6 | Emergency stop | 1 | 704.945.0 |
| | 704.963.5 | Not Aus | 2 | 704.945.6 |
| | 704.963.7 | Arret D'urgence | | |
| | 44-950 | Blank | | |
| 90mm versions also available | | | | |

Choose one component from each of the colored sections to assemble a complete switch.
For other options or further information please contact EAO Switch directly.



A Accessories



Blanking plate



Lens, LED and lamp remover

| Part No. | Mounting hole | Part No. | Part No. |
|-----------|---------------|-----------|-----------|
| 704.960.7 | 22.5mm Ø | 704.955.0 | 700.006.0 |
| 704.964.8 | 30.5mm Ø | 704.955.1 | |
| | | | |
| | | | |
| | | | |
| | | | |
| | | | |
| | | | |

A Accessories



Legend plate, adhesive, natural anodized aluminum finish for raised and flush mount pushbuttons



Label for front bezel set for 22.5 and 30.5mm flush mount with label support, self adhesive

| Image | Part No. | Mounting hole | Image | Part No. |
|-------|-----------|---------------|-------|-----------|
| 1 | 704.968.2 | 22.5mm Ø | 1 | 704.968.0 |
| 2 | 704.968.3 | 30.5mm Ø | 2 | 704.968.1 |
| | | | | |
| | | | | |
| | | | | |
| | | | | |
| | | | | |
| | | | | |



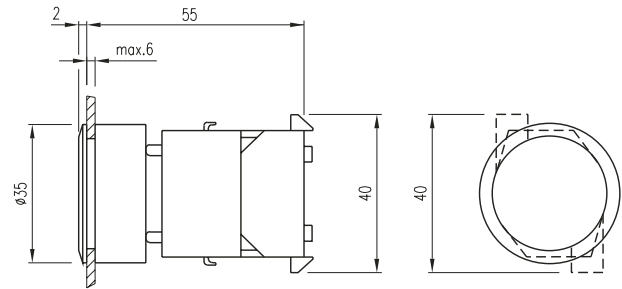
04 Indicator

Raised



04 Indicator

Flush



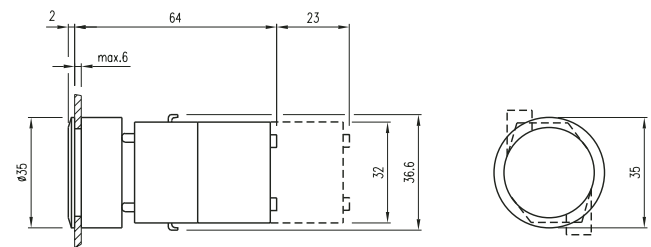
04 Pushbutton

Non-Illuminated, Raised



04 Pushbutton

Non-Illuminated, Flush



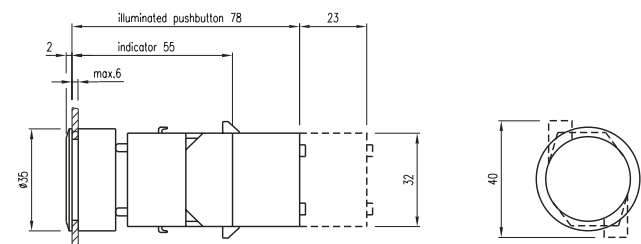
04 Pushbutton

Illuminated, Raised



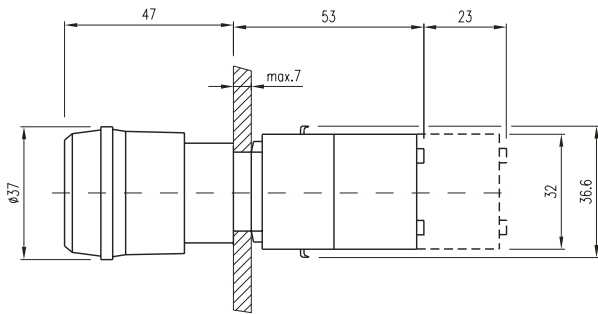
04 Pushbutton

Illuminated, Flush



04 E-Stop

EN 418



twist to release

04 E-Stop

EN 418 with optional key



key to unlock

04 E-Stop Mushroom

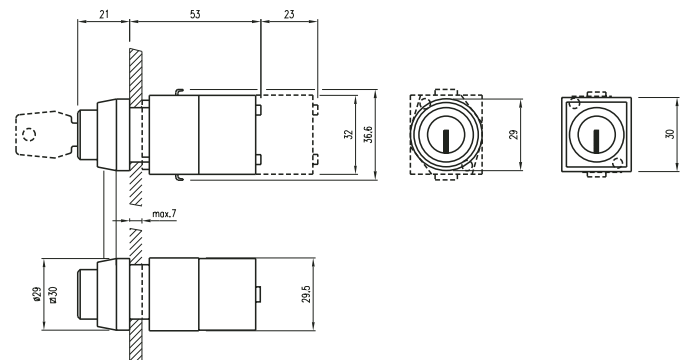
Pushbutton Mushroom



twist to release

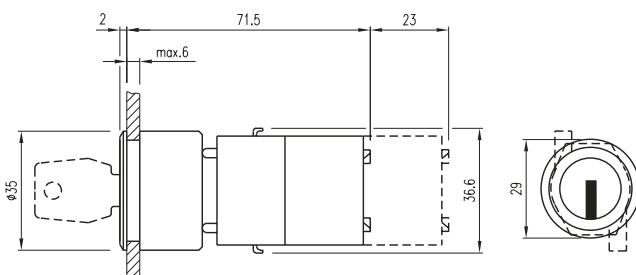
04 Keylock

2-Position, 3-Position, Raised



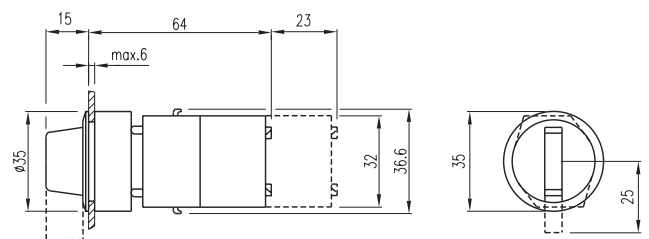
04 Keylock

2-Position, 3-Position, Flush



04 Selector

2-Position, 3-Position, Short and Long, Flush



04 Selector, Short Lever

2-Position, 3-Position, Raised



04 Selector, Long Lever

2-Position, 3-Position, Raised



04 Buzzer

Raised



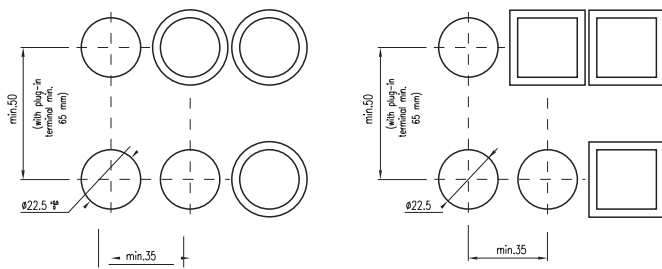
04 Buzzer

Flush



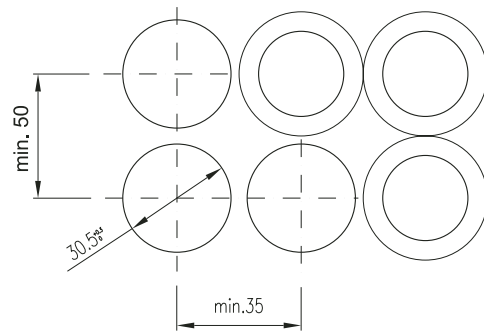
04 Cut-outs, Raised Mounting

(All but long lever)

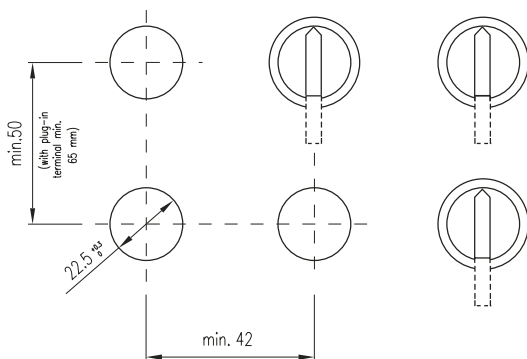


04 Cut-outs, Flush Mounting

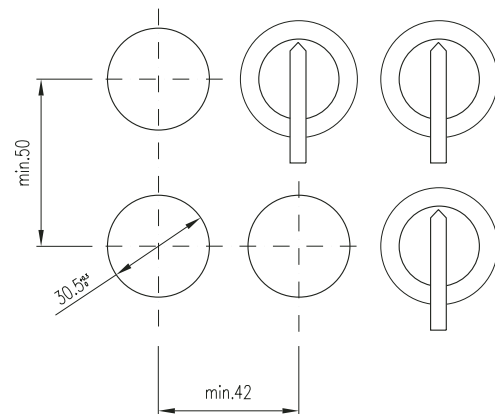
(All but long lever)



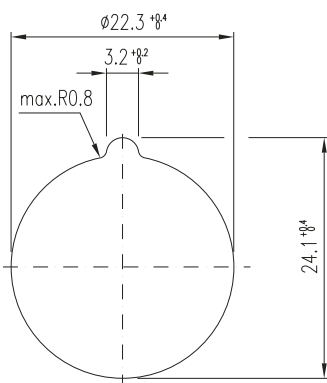
04 Long Lever Cut-outs, Raised Mounting



04 Long Lever Cut-outs, Flush Mounting

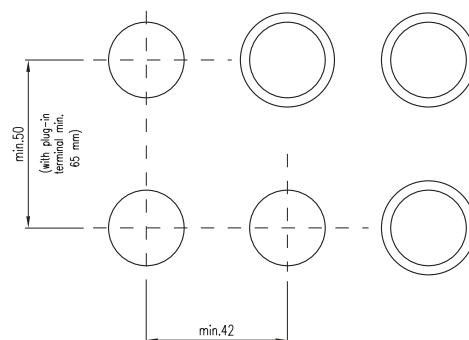


04 E-Stop EN418 Cut-outs



04 E-Stop Mushroom Cut-outs

Pushbutton Mushroom



Компания «Life Electronics» занимается поставками электронных компонентов импортного и отечественного производства от производителей и со складов крупных дистрибьюторов Европы, Америки и Азии.

С конца 2013 года компания активно расширяет линейку поставок компонентов по направлению коаксиальный кабель, кварцевые генераторы и конденсаторы (керамические, пленочные, электролитические), за счёт заключения дистрибьюторских договоров

Мы предлагаем:

- Конкурентоспособные цены и скидки постоянным клиентам.
- Специальные условия для постоянных клиентов.
- Подбор аналогов.
- Поставку компонентов в любых объемах, удовлетворяющих вашим потребностям.
- Приемлемые сроки поставки, возможна ускоренная поставка.
- Доставку товара в любую точку России и стран СНГ.
- Комплексную поставку.
- Работу по проектам и поставку образцов.
- Формирование склада под заказчика.
- Сертификаты соответствия на поставляемую продукцию (по желанию клиента).
- Тестирование поставляемой продукции.
- Поставку компонентов, требующих военную и космическую приемку.
- Входной контроль качества.
- Наличие сертификата ISO.

В составе нашей компании организован Конструкторский отдел, призванный помогать разработчикам, и инженерам.

Конструкторский отдел помогает осуществить:

- Регистрацию проекта у производителя компонентов.
- Техническую поддержку проекта.
- Защиту от снятия компонента с производства.
- Оценку стоимости проекта по компонентам.
- Изготовление тестовой платы монтаж и пусконаладочные работы.



Тел: +7 (812) 336 43 04 (многоканальный)
Email: org@lifeelectronics.ru