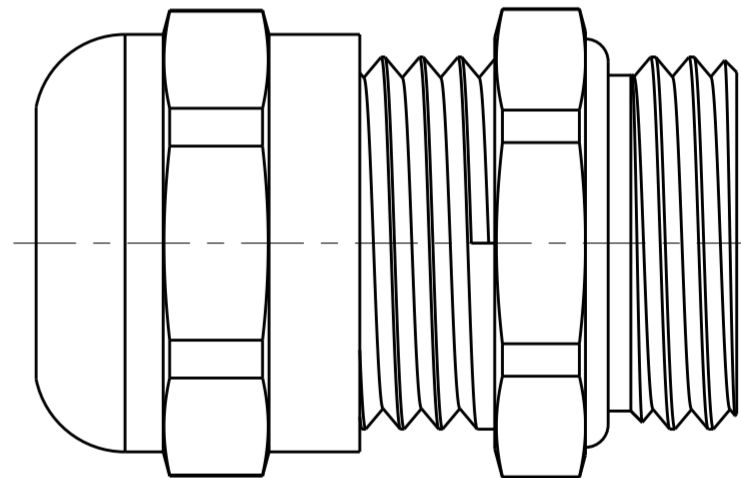
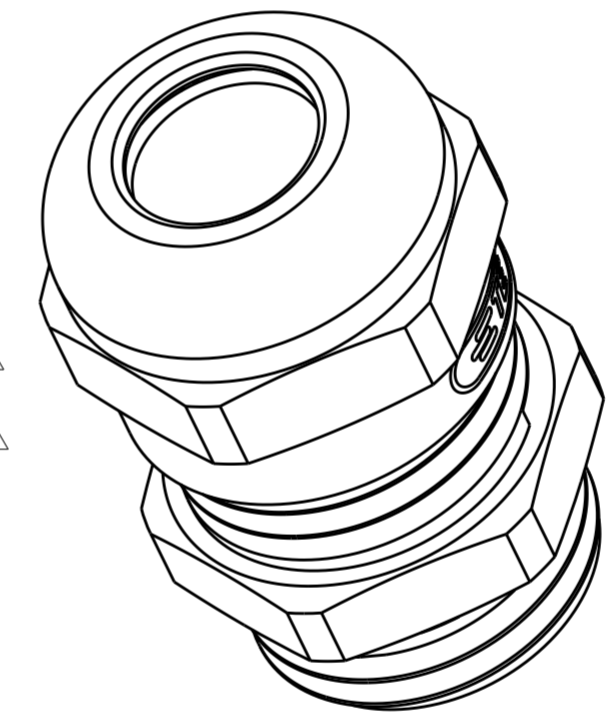
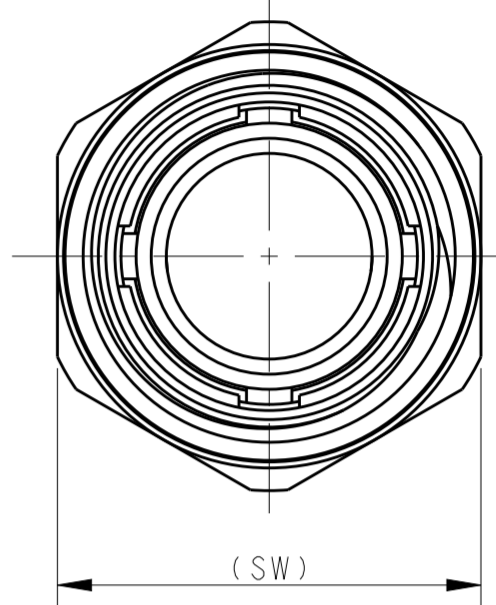
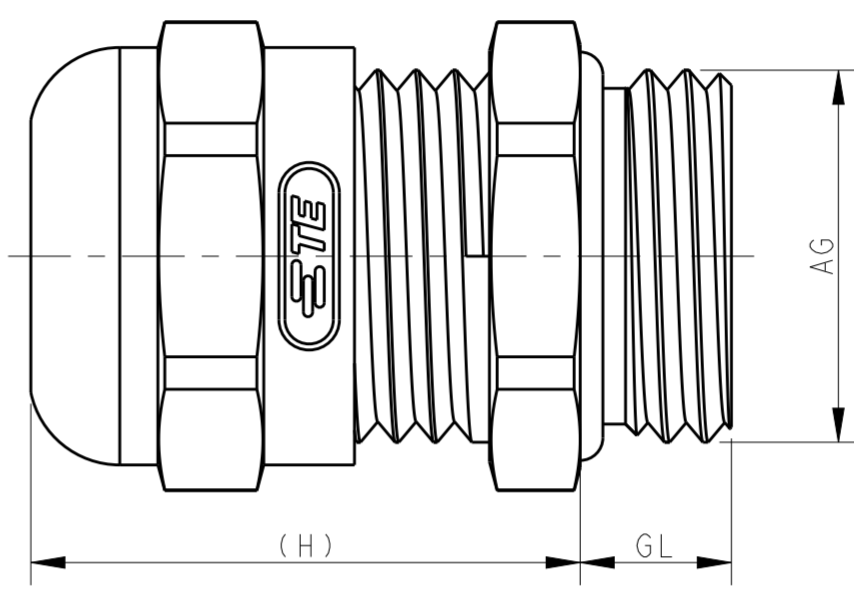


| THIS DRAWING IS UNPUBLISHED. |                           | RELEASED FOR PUBLICATION |      | 20                   |      |    |                     |  |  |                            |
|------------------------------|---------------------------|--------------------------|------|----------------------|------|----|---------------------|--|--|----------------------------|
| COPYRIGHT 20                 |                           | BY -                     |      | ALL RIGHTS RESERVED. |      |    |                     |  |  |                            |
| M32x1.5                      | 18-25                     | 25.4                     |      | 12                   | 31   | 40 | DLX-32-LM           | METAL CABLE GLAND M32 (18-25), THREAD LENGTHEN<br>金属加长螺纹接头 M32 (18-25) | T3609320202-000                                  |                            |
| M32x1.5                      | 13-20                     | 20.4                     |      | 12                   | 31   | 40 | DLX-32-LMT          | METAL CABLE GLAND M32 (13-20), THREAD LENGTHEN<br>金属加长螺纹接头 M32 (13-20) | T3609320212-000                                  |                            |
| M63x1.5                      | 37-44                     |                          | 10   |                      | 41   | 70 | DLX-63-M            | METAL CABLE GLAND M63(37-44)<br>金属接头 M63 (37-44)                       |  | T3609630102-000            |
| M63x1.5                      | 29-35                     | 36                       | 10.5 |                      | 40   | 67 | DLX-63-MT           | METAL CABLE GLAND M63(29-35)<br>金属接头 M63 (29-35)                       | T3609630112-000                                  |                            |
| M50x1.5                      | 32-38                     | 39                       | 9    |                      | 37   | 57 | DLX-50-M            | METAL CABLE GLAND M50(32-38)<br>金属接头 M50 (32-38)                       | T3609500102-000                                  | T3609500102-001            |
| M50x1.5                      | 29-36                     | 36.5                     | 9    |                      | 37   | 57 | DLX-50-M            | METAL CABLE GLAND M50(29-36)<br>金属接头 M50 (29-36)                       | T3609500122-000                                  |                            |
| M50x1.5                      | 22-32                     |                          | 9    |                      | 38.5 | 55 | DLX-50-MT           | METAL CABLE GLAND M50(22-32)<br>金属接头 M50 (22-32)                       |  | T3609500112-000            |
| M40x1.5                      | 22-32                     | 33                       | 8    |                      | 37   | 50 | DLX-40-M            | METAL CABLE GLAND M40(22-32)<br>金属接头 M40 (22-32)                       | T3609400102-000                                  | <del>T3609400102-001</del> |
| M40x1.5                      | 20-26                     | 26.5                     | 8    |                      | 37   | 50 | DLX-40-MT           | METAL CABLE GLAND M40(20-26)<br>金属接头 M40 (20-26)                       | T3609400112-000                                  |                            |
| M32x1.5                      | 18-25                     | 25.4                     | 8    |                      | 31   | 40 | DLX-32-M            | METAL CABLE GLAND M32(18-25)<br>金属接头 M32 (18-25)                       | T3609320102-000                                  |                            |
| M32x1.5                      | 13-20                     | 20.4                     | 8    |                      | 31   | 40 | DLX-32-MT           | METAL CABLE GLAND M32(13-20)<br>金属接头 M32 (13-20)                       | T3609320112-000                                  |                            |
| M25x1.5                      | 13-18                     | 18.4                     |      | 12                   | 26   | 30 | DLX-25-LM           | METAL CABLE GLAND M25 (13-18), THREAD LENGTHEN<br>金属加长螺纹接头 M25 (13-18) | T3609250202-000                                  |                            |
| M25x1.5                      | 13-18                     | 18.4                     | 7    |                      | 26   | 30 | DLX-25-M            | METAL CABLE GLAND M25(13-18)<br>金属接头 M25 (13-18)                       | T3609250102-000                                  |                            |
| M25x1.5                      | 9-16                      | 16.4                     |      | 12                   | 26   | 30 | DLX-25-LMT          | METAL CABLE GLAND M25 (9-16), THREAD LENGTHEN<br>金属加长螺纹接头 M25 (9-16)   | T3609250212-000                                  |                            |
| M25x1.5                      | 9-16                      | 16.4                     | 7    |                      | 26   | 30 | DLX-25-MT           | METAL CABLE GLAND M25(9-16)<br>金属接头 M25 (9-16)                         | T3609250112-000                                  |                            |
| M20x1.5                      | 10-14                     | 13.8                     | 6    |                      | 24   | 24 | DLX-20-MB           | METAL CABLE GLAND M20(10-14)<br>金属接头 M20 (10-14)                       | T3609200122-000                                  |                            |
| M20x1.5                      | 6-12                      | 12.2                     |      | 10                   | 23   | 22 | DLX-20-LM           | METAL CABLE GLAND M20 (6-12), THREAD LENGTHEN<br>金属加长螺纹接头 M20 (6-12)   | T3609200202-000                                  |                            |
| M20x1.5                      | 6-12                      | 12.2                     | 6    |                      | 23   | 22 | DLX-20-M            | METAL CABLE GLAND M20(6-12)<br>金属接头 M20 (6-12)                         | T3609200102-000                                  |                            |
| M20x1.5                      | 5-9                       | 9.2                      |      | 10                   | 23   | 22 | DLX-20-LMT          | METAL CABLE GLAND M20 (5-9), THREAD LENGTHEN<br>金属加长螺纹接头 M20 (5-9)     | T3609200222-000                                  |                            |
| M20x1.5                      | 5-9                       | 9.2                      | 6    |                      | 23   | 22 | DLX-20-MT           | METAL CABLE GLAND M20(5-9)<br>金属接头 M20 (5-9)                           | T3609200112-000                                  |                            |
| M16x1.5                      | 5-10                      | 10.2                     |      | 10                   | 22   | 20 | DLX-16-LMB          | METAL CABLE GLAND M16 (5-10), THREAD LENGTHEN<br>金属加长螺纹接头 M16 (5-10)   | T3609160222-000                                  |                            |
| M16x1.5                      | 5-10                      | 10.2                     | 6    |                      | 22   | 20 | DLX-16-MB           | METAL CABLE GLAND M16(5-10)<br>金属接头 M16 (5-10)                         | T3609160122-000                                  |                            |
| M16x1.5                      | 4-8                       | 8.5                      |      | 10                   | 21   | 19 | DLX-16-LM           | METAL CABLE GLAND M16 (4-8), THREAD LENGTHEN<br>金属加长螺纹接头 M16 (4-8)     | T3609160202-000                                  |                            |
| M16x1.5                      | 4-8                       | 8.5                      | 6    |                      | 21   | 19 | DLX-16-M            | METAL CABLE GLAND M16(4-8)<br>金属接头 M16 (4-8)                           | T3609160102-000                                  |                            |
| M16x1.5                      | 2-6                       | 6.5                      |      | 21                   | 19   | 19 | DLX-16-MT           | METAL CABLE GLAND M16(2-6)<br>金属接头 M16 (2-6)                           | T3609160112-000                                  |                            |
| M12x1.5                      | 3-6.5                     | 6.8                      |      | 8                    | 25   | 14 | DLX-12-LM           | METAL CABLE GLAND M12 (3-6.5), LENGTHEN<br>金属加长接头 M12 (3-6.5)          | T3609120202-000                                  |                            |
| M12x1.5                      | 3-6.5                     | 6.8                      | 5    |                      | 25   | 14 | DLX-12-M            | METAL CABLE GLAND M12(3-6.5)<br>金属接头 M12 (3-6.5)                       | T3609120102-000                                  |                            |
| M12x1.5                      | 2-5                       | 5.3                      | 5    |                      | 25   | 14 | DLX-12-MT           | METAL CABLE GLAND M12(2-5)<br>金属接头 M12 (2-5)                           | T3609120112-000                                  |                            |
| PG48                         | 37-44                     | 44.5                     | 10   |                      | 41   | 65 | DLX-48-MS           | METAL CABLE GLAND PG48(37-44)<br>金属接头 PG48 (37-44)                     | T3609480101-000                                  |                            |
| PG48                         | 29-35                     | 36                       | 10   |                      | 30   | 64 | DLX-48-MTS          | METAL CABLE GLAND PG48(29-35)<br>金属接头 PG48 (29-35)                     | T3609480111-000                                  |                            |
| PG42                         | 30-38                     |                          | 9    |                      | 40   | 58 | DLX-42-MS           | METAL CABLE GLAND PG42(30-38)<br>金属接头 PG42 (30-38)                     |  | T3609420101-000            |
| PG42                         | 25-31                     | 31.5                     | 9    |                      | 37   | 57 | DLX-42-MTS          | METAL CABLE GLAND PG42(25-31)<br>金属接头 PG42 (25-31)                     | T3609420111-000                                  |                            |
| PG36                         | 22-32                     | 33                       |      | 15                   | 39   | 50 | DLX-36-LMS          | METAL CABLE GLAND PG36 (22-32), LENGTHEN<br>金属加长接头 PG36 (22-32)        | T3609360201-000                                  |                            |
| PG36                         | 22-32                     | 33                       | 8    |                      | 38   | 50 | DLX-36-MS           | METAL CABLE GLAND PG36(22-32)<br>金属接头 PG36 (22-32)                     | T3609360101-000                                  |                            |
| PG36                         | 20-26                     | 26.5                     | 8    |                      | 38   | 50 | DLX-36-MTS          | METAL CABLE GLAND PG36(20-26)<br>金属接头 PG36 (20-26)                     | T3609360111-000                                  |                            |
| PG29                         | 18-25                     | 25.4                     |      | 15                   | 33   | 40 | DLX-29-LMS          | METAL CABLE GLAND PG29 (18-25), LENGTHEN<br>金属加长接头 PG29 (18-25)        | T3609290201-000                                  |                            |
| PG29                         | 18-25                     | 25.4                     | 8    |                      | 30   | 40 | DLX-29-MS           | METAL CABLE GLAND PG29(18-25)<br>金属接头 PG29 (18-25)                     | T3609290101-000                                  | <del>T3609290101-001</del> |
| PG29                         | 13-20                     | 20.4                     | 8    |                      | 30   | 40 | DLX-29-MTS          | METAL CABLE GLAND PG29(13-20)<br>金属接头 PG29 (13-20)                     | T3609290111-000                                  |                            |
| PG21                         | 13-18                     | 18.4                     |      | 12                   | 25   | 30 | DLX-21-LMS          | METAL CABLE GLAND PG21 (13-18), LENGTHEN<br>金属加长接头 PG21 (13-18)        | T3609210201-000                                  |                            |
| PG21                         | 13-18                     | 18.4                     | 7    |                      | 25   | 30 | DLX-21-MS           | METAL CABLE GLAND PG21(13-18)<br>金属接头 PG21 (13-18)                     | T3609210101-000                                  |                            |
| PG21                         | 9-16                      | 16.4                     | 7    |                      | 25   | 30 | DLX-21-MTS          | METAL CABLE GLAND PG21(9-16)<br>金属接头 PG21 (9-16)                       | T3609210111-000                                  |                            |
| PG16                         | 10-14                     | 13.8                     | 6.5  |                      | 23.5 | 24 | DLX-16-MS           | METAL CABLE GLAND PG16(10-14)<br>金属接头 PG16 (10-14)                     | T3609160101-000                                  |                            |
| PG16                         | 7-12                      | 12.2                     | 6.5  |                      | 23.5 | 24 | DLX-16-MTS          | METAL CABLE GLAND PG16(7-12)<br>金属接头 PG16 (7-12)                       | T3609160111-000                                  |                            |
| PG13.5                       | 6-12                      | 12.2                     | 6.5  |                      | 23.5 | 22 | DLX-13.5-MS         | METAL CABLE GLAND PG13.5(6-12)<br>金属接头 PG13.5 (6-12)                   | T3609130101-000                                  |                            |
| PG13.5                       | 5-9                       | 9.2                      | 6.5  |                      | 23.5 | 22 | DLX-13.5-MTS        | METAL CABLE GLAND PG13.5(5-9)<br>金属接头 PG13.5 (5-9)                     | T3609130111-000                                  |                            |
| PG11                         | 5-10                      | 10.2                     | 6    |                      | 24   | 21 | DLX-11-MS           | METAL CABLE GLAND PG11(5-10)<br>金属接头 PG11 (5-10)                       | T3609110101-000                                  |                            |
| PG11                         | 3-7                       | 7.2                      | 6    |                      | 24   | 21 | DLX-11-MTS          | METAL CABLE GLAND PG11(3-7)<br>金属接头 PG11 (3-7)                         | T3609110111-000                                  |                            |
| PG11                         |                           |                          |      |                      | 24   | 21 | DLX-11-MSN          | METAL CABLE GLAND, WITHOUT INNER SEALING<br>金属接头 PG11, 无内衬圈            | T3609110121-000                                  |                            |
| PG9                          | 4-8                       | 8.5                      | 6    |                      | 24   | 17 | DLX-9-MS            | METAL CABLE GLAND PG9(4-8)<br>金属接头 PG9 (4-8)                           | T3609090101-000                                  |                            |
| PG9                          | 2-6                       | 6.5                      | 6    |                      | 24   | 17 | DLX-9-MTS           | METAL CABLE GLAND PG9(2-6)<br>金属接头 PG9 (2-6)                           | T3609090111-000                                  |                            |
| PG7                          | 3-6.5                     | 8.5                      |      | 6                    | 25   | 17 | DLX-7-MES           | METAL CABLE GLAND PG7 (3-6.5), LARGE<br>金属接头 PG7 (3-6.5), 加大型          | T3609070121-000                                  |                            |
| PG7                          | 3-6.5                     | 6.8                      | 5    |                      | 25   | 14 | DLX-7-MS            | METAL CABLE GLAND PG7(3-6.5)<br>金属接头 PG7 (3-6.5)                       | T3609070101-000                                  |                            |
| PG7                          | 2-5                       | 5.3                      | 5    |                      | 25   | 14 | DLX-7-MTS           | METAL CABLE GLAND PG7(2-5)<br>金属接头 PG7 (2-5)                           | T3609070111-000                                  |                            |
| AG                           | WIRE RANGE<br>夹线范围<br>(∅) | ∅                        | GL   | GL<br>(Lengthen加长)   | H    | SW | DESCRIPTION<br>产品描述 | PART NUMBER<br>WITH TE LOGO<br>成品料号 (带 TE Logo)                        | PART NUMBER<br>WITHOUT LOGO<br>成品料号 (不带 TE Logo) |                            |

| REVISIONS |     |               |           |     |      |
|-----------|-----|---------------|-----------|-----|------|
| P         | LTR | DESCRIPTION   | DATE      | DWN | APVD |
| B2        |     | ECR-18-010224 | 30JUN2018 | CH  | CW   |
| B3        |     | ECR-18-020020 | 26DEC2018 | YC  | CW   |
| B4        |     | ECR-19-002559 | 16FEB2019 | WOR | CW   |
| B5        |     | ECR-19-004297 | 21MAR2019 | SR  | CW   |



PART NUMBER SHOWN WITHOUT LOGO  
成品料号 (不带 TE LOGO)  
EXCEPT THE TE LOGO, ALL DIMENSIONS ARE SAME AS CORRESPONDING PART NUMBER WITH TE LOGO  
除 TE LOGO 差异外, 不带 TE LOGO 与带 TE LOGO 对应型号之间, 所有尺寸均相同。

NOTES/技术指标:  
1. TECHNICAL CHARACTERISTICS/技术参数:  
SHELL MATERIAL/主体材料: NICKEL PLATED BRASS/铜镀镍  
SEAL MATERIAL/密封材料: ELASTIC RUBBER/弹性橡胶  
PINCH RING MATERIAL/夹零件材料: PA  
OPERATION TEMPERATURE/工作温度: -40°C~+100°C  
PROTECTION DEGREE/防护等级: IP68  
(EXCEPT T3609110121-000)  
(料号 T3609110121-000 除外)  
WIRE RANGE/夹线范围: SEE TABLE/见表格

2. OBSOLETE / 料号已停用

|  |           |   |                           |                  |
|--|-----------|---|---------------------------|------------------|
| THIS DRAWING IS A CONTROLLED DOCUMENT. |           | DWN<br>G.LINO.YAO<br>05JUN2015                                  | TE Connectivity           |                  |
|  |           | CHK<br>CHRIS.WANG<br>05JUN2015                                  |                           |                  |
|  |           | APVD<br>XIANG.XU<br>05JUN2015                                   | NAME<br>METAL CABLE GLAND |                  |
| DIMENSIONS:<br>mm                      |           | TOLERANCES UNLESS OTHERWISE SPECIFIED:                          |                           | PRODUCT SPEC     |
|  |           | 0 PLC ±<br>1 PLC ±<br>2 PLC ±<br>3 PLC ±<br>4 PLC ±<br>ANGLES ± |                           | APPLICATION SPEC |
| MATERIAL                               |           | FINISH  |                           | WEIGHT           |
|  |           |   |                           | Customer Drawing |
| SIZE<br>A2                             | CAGE CODE | DRAWING NO<br>G-T360XXXXXXX000                                  | RESTRICTED TO             |                  |
| SCALE 5:1                              |           | SHEET 1 OF 1  | REV B5                    |                  |

Компания «Life Electronics» занимается поставками электронных компонентов импортного и отечественного производства от производителей и со складов крупных дистрибьюторов Европы, Америки и Азии.

С конца 2013 года компания активно расширяет линейку поставок компонентов по направлению коаксиальный кабель, кварцевые генераторы и конденсаторы (керамические, пленочные, электролитические), за счёт заключения дистрибьюторских договоров

Мы предлагаем:

- Конкурентоспособные цены и скидки постоянным клиентам.
- Специальные условия для постоянных клиентов.
- Подбор аналогов.
- Поставку компонентов в любых объемах, удовлетворяющих вашим потребностям.
- Приемлемые сроки поставки, возможна ускоренная поставка.
- Доставку товара в любую точку России и стран СНГ.
- Комплексную поставку.
- Работу по проектам и поставку образцов.
- Формирование склада под заказчика.
- Сертификаты соответствия на поставляемую продукцию (по желанию клиента).
- Тестирование поставляемой продукции.
- Поставку компонентов, требующих военную и космическую приемку.
- Входной контроль качества.
- Наличие сертификата ISO.

В составе нашей компании организован Конструкторский отдел, призванный помогать разработчикам, и инженерам.

Конструкторский отдел помогает осуществить:

- Регистрацию проекта у производителя компонентов.
- Техническую поддержку проекта.
- Защиту от снятия компонента с производства.
- Оценку стоимости проекта по компонентам.
- Изготовление тестовой платы монтаж и пусконаладочные работы.



Тел: +7 (812) 336 43 04 (многоканальный)

Email: [org@lifeelectronics.ru](mailto:org@lifeelectronics.ru)